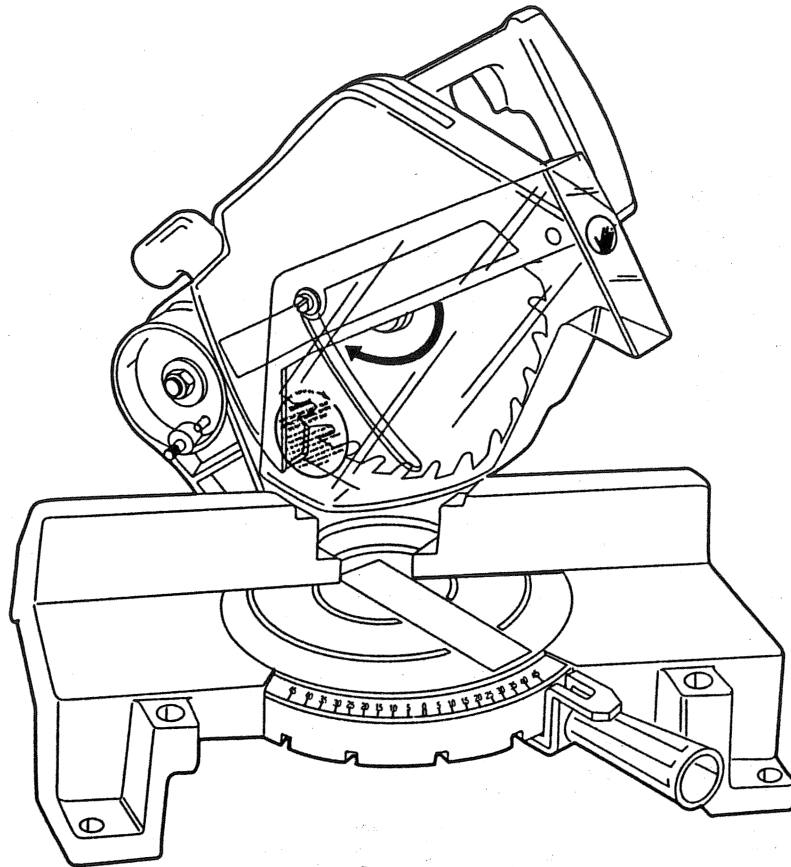




BLACK & DECKER®



Instruction Manual

254mm Mitre Saw

Model 1701-04

Designed especially for the
AVID DO-IT-YOURSELF

The avid *Do-It-Yourselfer* Line from Black & Decker

Serious *D.I.Y.*'ers expect more power and versatility from their power tools than ever before. The Black & Decker *D.I.Y.* line has what it takes to handle even the toughest jobs around the house. This line has been especially designed to meet the needs of the serious home craftsman.

These tools offer:

- high power motors for extended use and superior overload protection
- ball bearing construction for long life and smoother operation
- variable speed for maximum control and versatility
- precision design for better results and user comfort

Note: Features may vary by product.

And are backed by Black & Decker's Two Year "Rapid Exchange" Home Use Warranty.

Thanks for buying a Black & Decker Mitre Saw

If you already own a Black & Decker Power Tool you know the pleasures a high quality, high performance power tool can deliver.

Your new Mitre Saw has been carefully engineered and built to Black & Decker's high standards of quality and dependability. It's built to last for many years of tough, trouble-free service and high quality performance.

It can cut wood, plastics and composites. Use it for straight cuts or mitres. Its tough, die cast aluminum rotating table locks firmly in place for accurate cutting of molding, trim work,

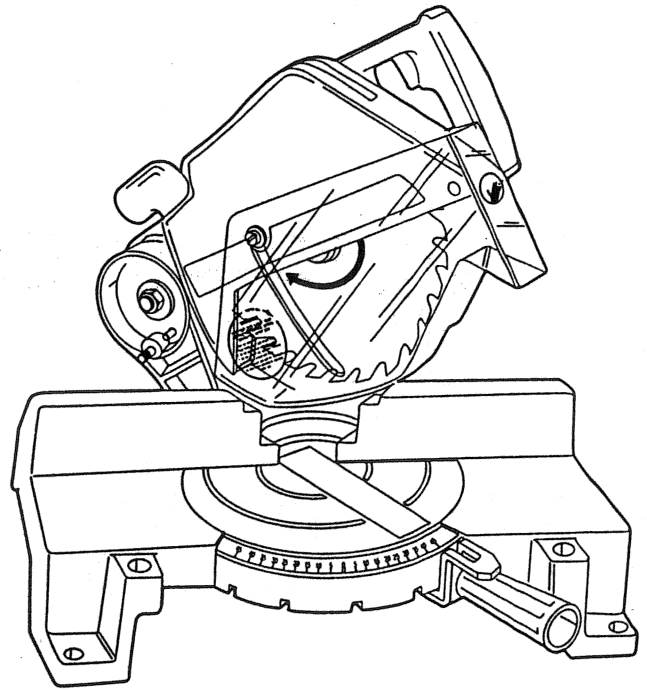
construction lumber, aluminum extrusions and even plastic pipe.

So take a few minutes and thoroughly read this instruction manual. Pay particular attention to the Safety Rules we've provided for your protection.

We want you to enjoy your Mitre Saw, and the more you know about it, and its capabilities, the happier you'll be with it.

Thank you for selecting Black & Decker.

And don't forget to mail in your owner's registration card.



Important Safety Instructions

WARNING: When using Electric Tools, basic safety precautions should always be followed to reduce the risk of fire, electric shock, and personal injury, including the following:

READ ALL INSTRUCTIONS

1. **KEEP GUARD IN PLACE** and in working order.
2. **REMOVE ADJUSTING KEYS AND WRENCHES.** Form habit of checking to see that keys and adjusting wrenches are removed from tool before turning on.
3. **KEEP WORK AREA CLEAN.** Cluttered areas and benches invite accidents.
4. **DON'T USE IN DANGEROUS ENVIRONMENT.** Don't use power tools in damp or wet locations, or expose them to rain. Keep work area well lighted.
5. **KEEP CHILDREN AWAY.** All visitors should be kept a safe distance from work area.
6. **MAKE WORKSHOP KID PROOF** with padlocks, master switches, or by removing starter keys.
7. **DON'T FORCE TOOL.** It will do the job better and be safer at the rate for which it was designed.
8. **USE RIGHT TOOL.** Don't force tool or attachment to do a job for which it was not designed.
9. **WEAR PROPER APPAREL.** No loose clothing, gloves, neckties, rings, bracelets, or other jewelry to get caught in moving parts. Nonslip footwear is recommended. Wear protective hair covering to contain long hair.
10. **ALWAYS USE SAFETY GLASSES.** Also use face or dust mask if cutting operation is dusty. Everyday eyeglasses only have impact resistant lenses, they are NOT safety glasses.
11. **SECURE WORK.** Use clamps or vise to hold work when practical. It's safer than using your hand and it frees both hands to operate tool.
12. **DON'T OVERREACH.** Keep proper footing and balance at all times.
13. **MAINTAIN TOOLS WITH CARE.** Keep tools sharp and clean for best and safest performance. Follow instructions for lubricating and changing accessories.
14. **DISCONNECT TOOLS** before servicing; when changing accessories such as blades, bits, cutters, etc.
15. **REDUCE THE RISK OF UNINTENTIONAL STARTING.** Make sure switch is in off position before plugging in.
16. **USE RECOMMENDED ACCESSORIES.** Consult the owner's manual for recommended accessories. The use of improper accessories may cause risk of injury to persons. Use of blades with knock out inserts at the arbor hole may cause injury.
17. **NEVER STAND ON TOOL.** Serious injury could occur if the tool is tipped or if the cutting tool is unintentionally contacted.
18. **CHECK DAMAGED PARTS.** Before further use of the tool, a guard or other part that is damaged should be carefully checked to determine that it will operate properly and perform its intended function — check for alignment of moving parts, binding of moving parts, breakage of parts, mounting, and any other conditions that may affect its operation. A guard or other part that is damaged should be properly repaired or replaced.
19. **NEVER LEAVE TOOL RUNNING UNATTENDED. TURN POWER OFF.** Don't leave tool until it comes to a complete stop.
20. **DO NOT OPERATE ELECTRIC TOOLS NEAR FLAMMABLE LIQUIDS OR IN GASEOUS OR EXPLOSIVE ATMOSPHERES.** Motors in these tools may spark and ignite fumes.

SAVE THESE INSTRUCTIONS

Rules For Safer Operation

- 1. GUARD AGAINST ELECTRIC SHOCK.** Prevent body contact with grounded surfaces. For example: pipes, radiators, ranges, refrigerator enclosures.
- 2. STORE IDLE TOOLS.** When not in use, tools should be stored in dry, and high or locked-up place — out of reach of children.
- 3. DON'T ABUSE CORD.** Never carry tool by cord or yank it to disconnect from receptacle. Keep cord from heat, oil, and sharp edges.
- 4. OUTDOOR USE EXTENSION CORDS.** When tool is used outdoors, use only extension cords intended for use outdoors and so marked.
- 5. STAY ALERT.** Watch what you are doing. Use common sense. Do not operate tool when you are tired.
- 6. CHECK DAMAGED PARTS.** Before further use of the tool, a guard or other part that is damaged should be carefully checked to determine that it will operate properly and perform its intended function. Check for alignment of moving parts, binding of moving parts, breakage of parts, mounting and any other conditions that may affect its operation. A guard or other part that is damaged should be properly repaired or replaced by an authorized service centre unless otherwise indicated elsewhere in this instruction manual. Have defective switches replaced by authorized service centre. Do not use tool if switch does not turn it on and off.

Additional Rules For The Mitre Saw

- 1. DO** — Protect line with at least a 15 ampere time delay fuse. Marked "D".
- 2. DO** — Make certain the blade rotates in the correct direction.
- 3. DO** — Be sure that Mitre Clamp Knob is tight before starting any operation.
- 4. DO** — Be sure blade and arbor collars are clean and recessed side of collar is against blade. Tighten arbor nut securely.
- 5. DO** — Keep saw blade sharp and properly set.
- 6. DO** — Keep motor air slots clean and free of chips.
- 7. DO** — Use both upper and lower blade guards at all times.
- 8. DO** — Disconnect power supply cord before attempting to remove loose cut pieces (material) from inside of guard area.
- 1. DON'T** — Attempt to operate on anything but designated voltage.
- 2. DON'T** — Operate unless the Mitre Clamp Knob is tight.
- 3. DON'T** — Use blades of larger or smaller diameter than recommended.
- 4. DON'T** — Wedge anything against fan to hold motor shaft.
- 5. DON'T** — Force cutting action. (Stalling or partial stalling of motor can cause major damage. Allow motor to reach full speed before cutting.)
- 6. DON'T** — Cut Ferrous metals.
- 7. DON'T** — Use abrasive wheels.
- 8. DON'T** — Allow anyone to stand behind the saw.

- 9. DON'T** — Apply lubricants to the blade when it is running.
- 10. DON'T** — Place either hand in the blade area when the saw is connected to the electrical power source.
- 11. DON'T** — Use blades recommended for operation at less than 6000 rpm.
- 12. DON'T** — Attempt to recut small pieces.
- 13. DON'T** — Use Mitre Saw without kerf plate (see FIG. 1)

Electrical Connection

Your Black & Decker Mitre Saw is powered by a Black & Decker built motor. Be sure your power supply agrees with the nameplate marking. 120 Volts 50/60 Hz or "AC only" means your tool must be operated only with alternating current and never with direct current. Voltage decrease of more than 10% will cause loss of power and overheating. All B&D tools are factory tested; if this tool does not operate, check the power supply.

Double Insulation

DOUBLE-INSULATED TOOLS are constructed throughout with TWO separate "layers" of electrical insulation or one DOUBLE thickness of insulation between you and the tool's electrical system.

Tools built with this insulation system are not intended to be grounded. As a result, your tool is equipped with a two-prong plug which permits you to use any conventional 120 volt electrical outlet without concern for maintaining a ground connection.

NOTE: DOUBLE-INSULATION does not take the place of normal safety precautions when operating this tool. The system is for added protection against injury resulting from a possible electrical insulation failure within the tool.

CAUTION: When servicing Double Insulated Tools, **USE ONLY IDENTICAL REPLACEMENT PARTS.** Replace or repair damaged cords. This tool is intended for residential use only.

Unpacking and Assembly

Your Black & Decker Mitre Saw will require some assembly prior to use. Remove the unit, hardware bag, and blade from the carton. Place the unit in the desired location on a work bench, accessory machine stand or strong table. If the unit is to be used in one location, fasten it to the

bench or table using screws or bolts (not supplied) through the holes in the four mounting feet.

NOTE: Unit should be properly mounted to avoid accidental movement of saw when releasing arm. Be sure to shim to remove any irregularities between the mounting feet and the mounting surface before tightening down.

Your saw was shipped with the motor arm locked down in the "carrying" position. Release the carrying lock (located on the left side of the rear pivot area) by pushing down lightly on the operating handle while pulling the lock pin to the left. This will allow the motor arm to rise to the "up" position. Leave the saw motor in the up position. Remove the wing screw at the front of the guard adjacent to the operating handle and slide the inside lower guard forward and away. Remove the wing nut located on the top of the motor adjacent to the operating handle. Grasp the upper guard and remove it by pulling it straight up and off of the motor. Open the hardware bag and remove the arbor bushing, arbor collar, arbor nut, arbor wrench, and mitre clamp knob. (Items sometimes lodge inside the hollow handle of the knob). See Figure 4. Install the arbor bushing on the arbor shaft. Place the saw blade on the arbor shaft, observing the correct rotational orientation. (Teeth should point in the clockwise direction when viewed from the installation position.) Install the arbor collar and thread the (LH) arbor nut on by hand counterclockwise. Finally, using the arbor wrench provided, tighten the arbor nut securely. The blade should be prevented from turning while tightening the arbor nut by pressing the blade teeth into a piece of scrap wood. Using the right hand on the operating handle, lower the motor arm until the blade teeth are engaged in the surface. Then with the arbor wrench in the left hand, tighten the arbor nut. **BE CAREFUL!** Don't get cut by the blade in the event of the wrench slipping.

Replace the upper guard assembly and securely tighten wing nut. Install the inside lower guard on the right side of the upper guard by sliding the hooked end under the strap at the rear of the guard and engaging the molded pin in the hole in the clear plastic lower guard. Finally, use the special wing screw to secure the inside lower guard in position as shown in Figure 1. Test the lower guard for free operation by hand. The mitre clamp knob should now be threaded loosely into the pivot arm.

Extension Cord

When using the tool at a considerable distance from the power source, an extension cord of adequate size must be used for safety, and to prevent loss of power and overheating. Use the table below to determine minimum wire size required.

Before using cords, inspect them for loose or exposed wires and damaged insulation. Make any needed repairs or replacement before using your power tool.

CHART FOR MINIMUM WIRE SIZE (AWG) OF EXTENSION CORDS

	TOTAL EXTENSION CORD LENGTH — FEET			
	7.6m	15.2m	23m	30m
120 Volt Tools	1 6AWG	14 AWG	12 AWG	10 AWG

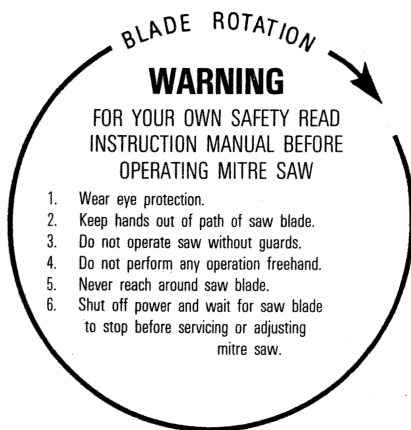
NOTE: The lower the wire size number, the heavier the wire, and the farther it will carry current without a significant voltage drop.

CAUTION: Do not connect unit to electrical power source until complete instructions are read and understood.

Control Locations and Functions

- A. OPERATING HANDLE** — Used while cutting.
- B. TRIGGER SWITCH** — Squeeze and hold to cut, may be padlocked. (See Fig. 3)
- C. MITRE LATCH** (See Fig. 1) — Accurately locates 0°, 22-1/2° left and right and 45° left and right, push downward to select mitre angle.
- D. MITRE CLAMP KNOB** — Tighten lightly to maintain desired mitre angle.
- E. PIVOT ARM** — Rotate to select desired mitre angle.
- F. MITRE POINTER** — Indicates mitre angle.
- G. DUST SPOUT** (See Fig. 2) — Orient to direct sawdust ejection.
- H. CARRYING LOCK** (See Fig. 2) — Lower blade and push in to lock blade down, pull out to release.
- I. UPPER & LOWER GUARDS** — Provide operator protection.
- J. BASE** — Supports workpiece.
- K. ROTARY TABLE** — Supports workpiece.
- L. FENCE** — Hold material being cut against fence.
- M. ARBOR COLLAR** (See Fig. 4) — Place blade between the bushing and collar with large diameter against blade.
- N. ARBOR NUT.** (See Fig. 4) — Secures blade. **TIGHTEN SECURELY.**
- O. WING NUT** — Secures upper guard — **MAKE CERTAIN THAT THE GUARD IS PROPERLY POSITIONED OVER BOTH STUDS THEN TIGHTEN WING NUT SECURELY.**
- P. WING SCREW** — Secures lower inside guard.
- Q. KERF PLATE** (See Fig. 1)

Operating Instructions

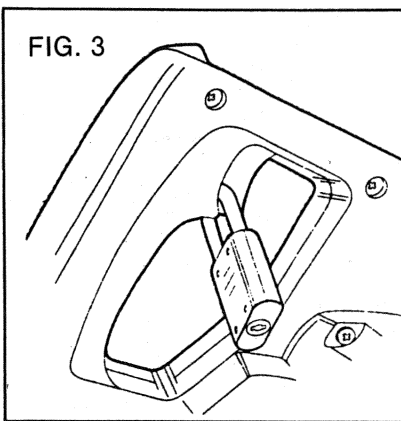


Observe and comply with the warning label affixed to the saw.

Use common sense, think all operations through before starting, and be alert.

TRIGGER LOCK (FIG. 3)

A hole is provided in the trigger switch for use with an owner provided padlock to prevent unauthorized operation. You must use a padlock with a 13/64" (5mm) or smaller shank diameter. See Fig. 3



Blade Installation (Fig. 4)

Blades are easily changed by following these step-by-step instructions:

STEP 1: DISCONNECT POWER

Remove the line cord plug from the receptacle. Place the plug in a location where someone will not plug it in by mistake.

STEP 2: REMOVE GUARD

Leave the saw motor in the up position. Remove the wing screw at the front of the guard adjacent to the operating handle and slide the inside lower guard forward and away. Remove the wing nut located on the top of the motor adjacent to the operating handle. Grasp the upper guard and raise it straight up and off the motor.

STEP 3: REMOVE BLADE

Carefully push downward on the operating handle to jam the blade teeth into a scrap piece of wood. Place the arbor wrench on the arbor nut and loosen the nut (left-hand threads). Remove the arbor nut, outer collar, and blade. It is not necessary to remove the inner arbor bushing.

STEP 4: INSTALL BLADE

Clean the mating faces of the arbor collar, bushing, and the blade to remove all dirt. Slide the blade onto the arbor shaft making certain that the blade marking indicates rotation in a clockwise direction when viewed from the end of the arbor shaft. Replace the arbor collar (larger diameter against blade) and the arbor nut. Tighten the arbor nut.

STEP 5: REINSTALL GUARD

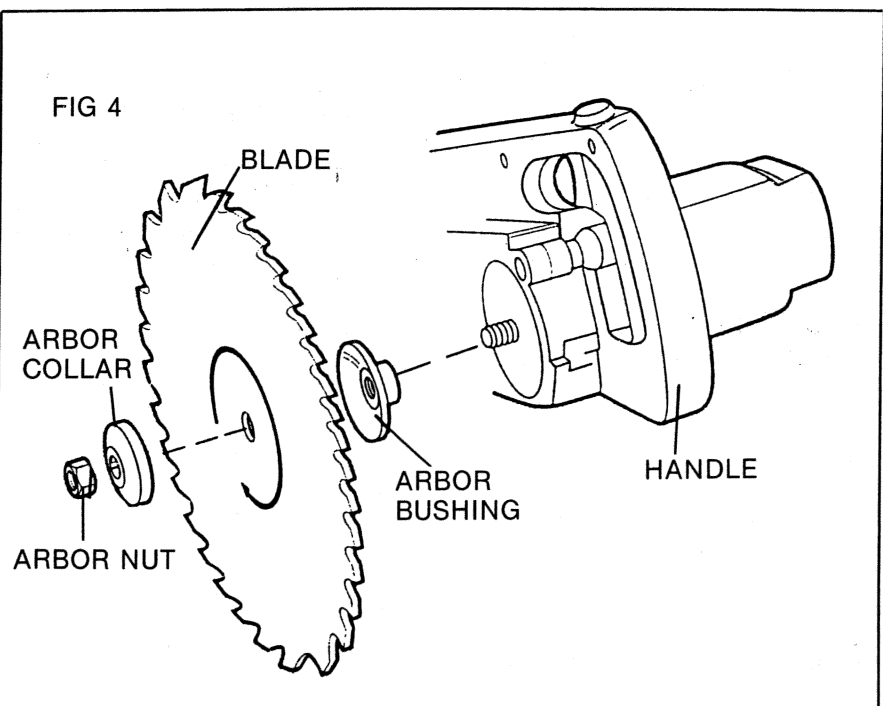
Lower the guard assembly (allowing the lower outside guard to hang freely) over the blade. Install the guard over the threaded stud and the solid pin. **CAUTION: MAKE CERTAIN THAT THE GUARD IS SEATED OVER BOTH THE PIN AND THE STUD.** Replace the wing nut and tighten securely. Install the inside lower guard assembly by sliding the rear of the guard and attaching the other end to the upper guard pivot using the special wing screw. Test the lower guard for free operation by hand.

CUTTING THE KERF

(The "Kerf" is the slot remaining after the blade has made a cut.)

A kerf will need to be cut in the kerf plate, but read the following instructions on cutting before proceeding to do this. A 1" x 6" piece of lumber is recommended for the work piece in the following instructions to assure a smooth cut of the kerf plate. **NOTE:** The saw blade will not cut all the way through the lumber so that it remains in one piece.

The cutting operation is made in five steps described below. Extreme caution is required around this and other power tools to prevent possible injury.



STEP 1: SELECT MITRE ANGLE

Place the saw on a table or work bench and "C" clamp it in place. Allow the blade to rise to its full height. Unscrew the mitre clamp knob about 1/4 turn and hold the mitre latch down. Rotate the pivot arm until the pointer indicates the desired angle. Release the mitre latch and tighten the Mitre Clamp Knob finger tight. The mitre latch will automatically locate mitre angles of 0°, 22-1/2° left and right and 45° left and right. To select one of these angles, release the mitre latch and allow the latch to seat itself in the mitre notch; then tighten the mitre clamp knob finger tight. If an angle within one degree of a mitre notch is selected, then the mitre latch must be held down until the mitre clamp knob is tightened.

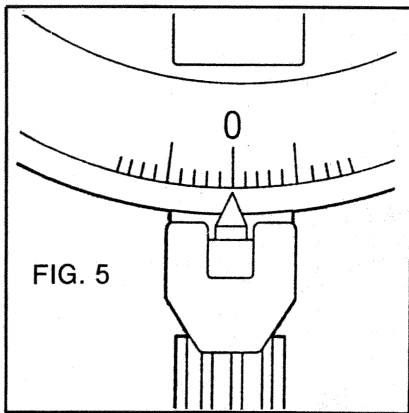


FIG. 5

NOTE: In order to insure accuracy and repeatability, the mitre pointer can be adjusted left or right as desired. To set the pointer, adjust the mitre arm to the zero position and let the mitre latch engage. Tighten the mitre clamp knob. If the plastic mitre pointer does not indicate exact zero, simply push it in the direction necessary with your finger or a screwdriver. Once set, you should never have to move it again. (Fig. 5).

STEP 2: PLACE WORKPIECE

On the table top and against the fence, with the saw blade in the up position and the motor off and locating it so that the saw kerf will be in the correct position. Hold the workpiece firmly in position with your hand well away from the blade and guard area.

DO NOT ATTEMPT TO CUT SMALL PIECES AS YOUR HAND WILL BE DANGEROUSLY CLOSE TO THE BLADE. SUPPORT LONG WORK WITH AN OUTBOARD WORK REST. Never perform any operation "free hand" (i.e. supporting the workpiece by hand alone). The workpiece must always be solidly supported by the fence or supporting jig or fixture to prevent any unexpected movement.

STEP 3: MAKE DRY RUN

Make a dry run to be sure nothing unexpected will occur when process is repeated under power.

STEP 4: START MOTOR

Firmly grasp the operating handle. Press the trigger switch. Allow a few seconds for the blade to reach maximum speed prior to cutting.

STEP 5: CUT WORKPIECE

While holding the workpiece firmly as described in Step 2, slowly and evenly lower the blade through the work piece, and the kerf plate. Release the trigger switch and allow the blade to stop rotating. Raise the blade from the workpiece.

DANGER: Coasting saw blade can be dangerous. Avoid contact with the moving blade. Check blade retaining nut periodically for tightness; retighten if necessary.

STEP 6: REMOVE WORK

When the blade has stopped, remove the workpiece and scrap. Use a short length of scrap to remove sawdust and scrap from the area adjacent to the blade rather than putting your hands in the blade area.

Cutting Suggestions

Here are several suggestions which will make the operation of your B&D Mitre Saw easier and more accurate:

CROWN MOLDING (FIG. 6)

To make repeated cuts on crown molding, construct two spacer blocks 10" long as shown (drill 4-3/16" diameter holes through the flats provided on the rear of the fence). Fasten the blocks with sheet metal screws through the fence. Make certain that the spacer blocks are located at the same distance from the table top.

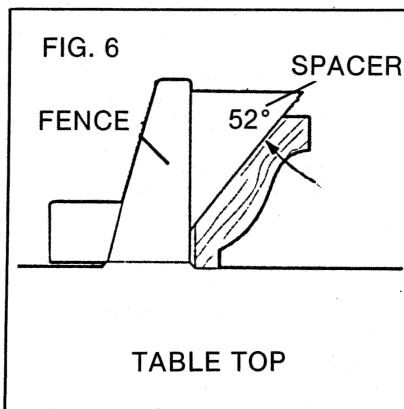


FIG. 6

COVE MOLDING (FIG. 7)

To make repeated cuts on cove molding, construct two spacer blocks 10" long as shown and fasten them with sheet metal screws through holes drilled through the fence. Make certain that the spacer blocks are located at the same distance from the table top. See Figure 7.

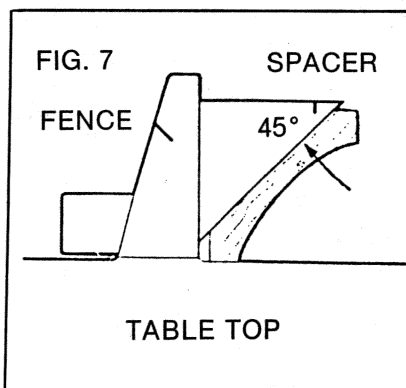


FIG. 7

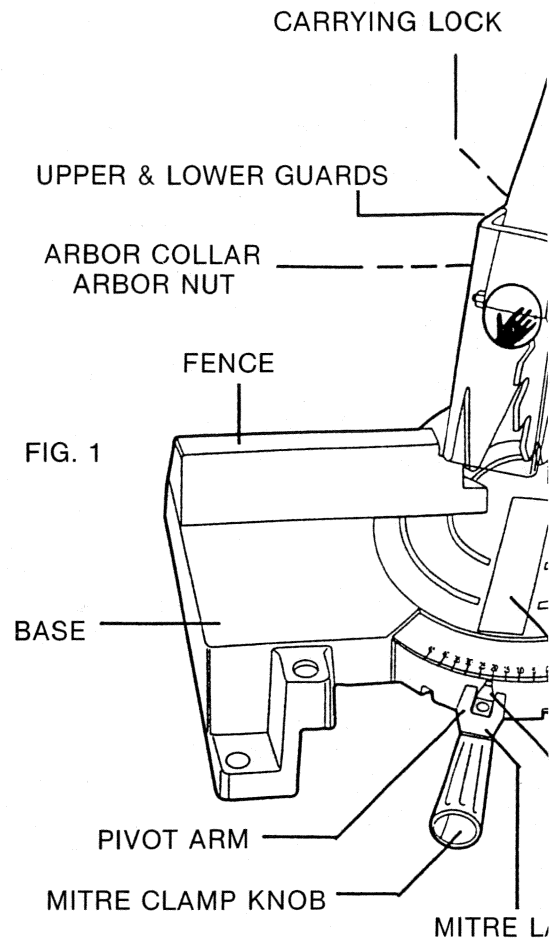
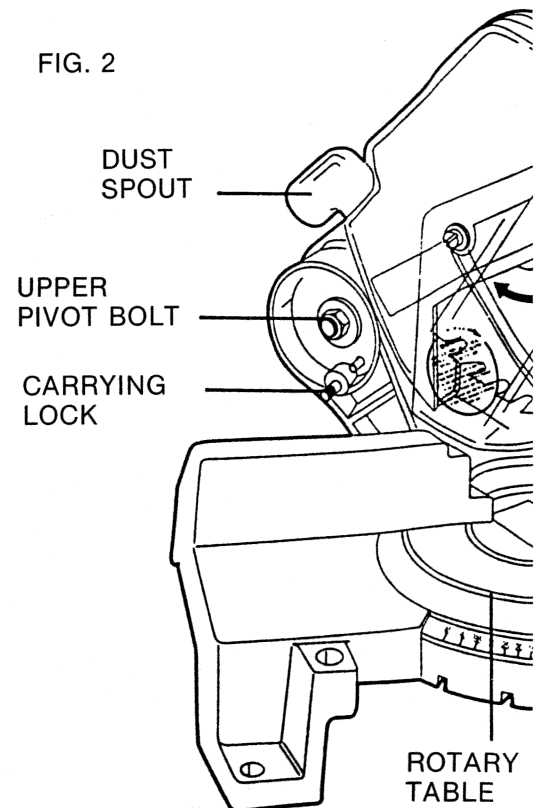
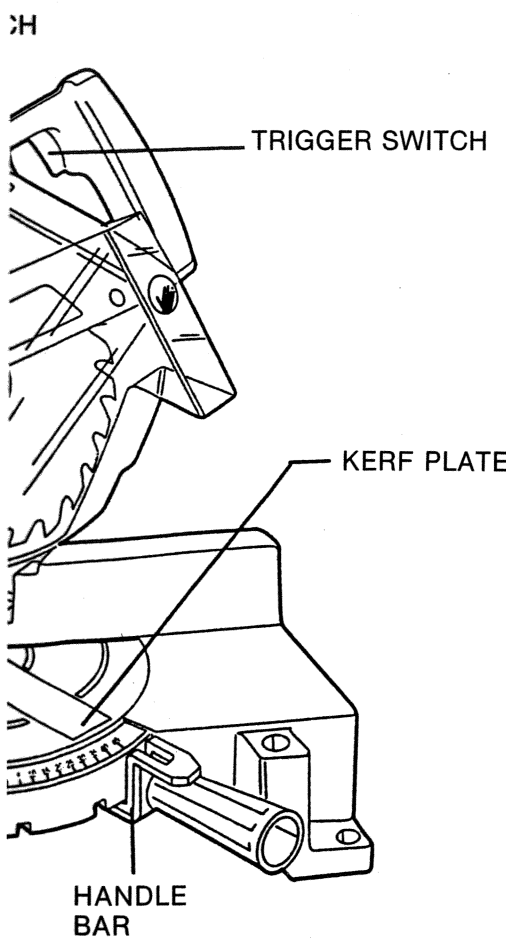
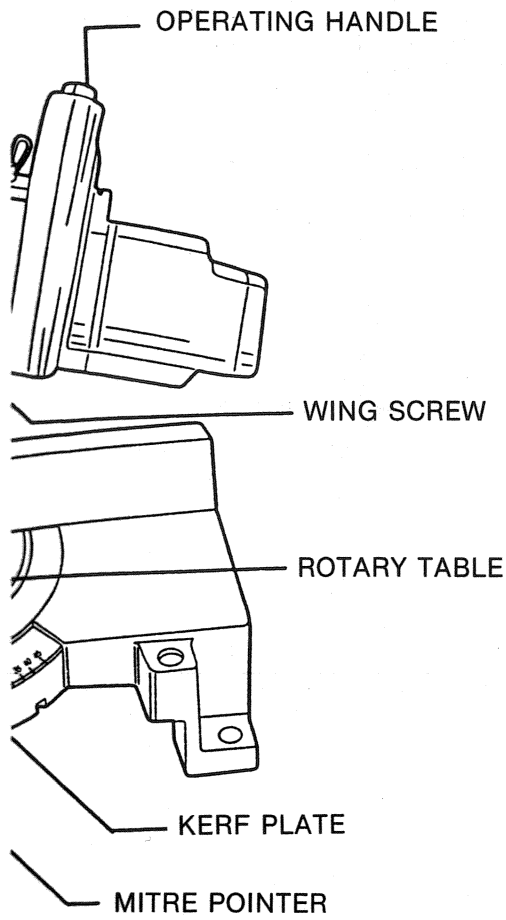


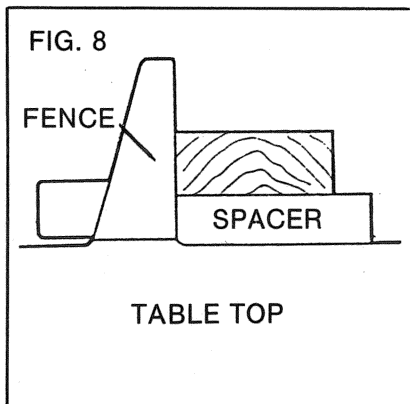
FIG. 2





FLAT MITREING WIDE MATERIAL (FIG. 8)

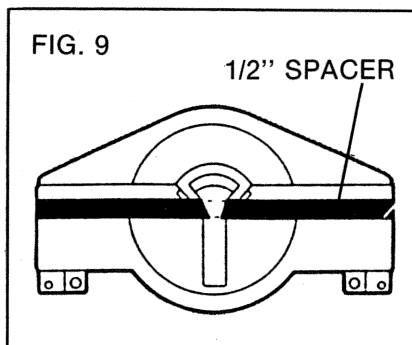
To flat mitre extra wide material, it is necessary to space the material above the table top. To do this, use a spacer as shown in the diagram. Fasten the spacer to the fence or table top. See Figure 8.



REDUCING FENCE GAP (FIG. 9)

In order to maximize cutting width the built-in fence is located in a rearward position. This necessitates the wider gap between fence sections in order to allow the blade to pass. To reduce this opening when maximum width cutting is not needed, attach a straight piece of wood approximately 3" high x 18-1/2" wide x 1/2" thick to the fence sections as shown. Attach this spacer with sheet metal screws through holes drilled through each fence section.

Adjust the pivot arm to the full left and right mitre positions and cut out the dotted portion of the spacer with the saw blade you will be using. See Figure 9.



CUTTING TIPS

The smoothness of the resulting cut depends on the material, blade design, blade sharpness and rate of cut. To make a rough cut, as on framing lumber, a fairly rapid cut coupled with a sharp, aggressive blade will produce the most economical cutting. However, for smooth, accurate cutting, as on finished trim, a slow even cutting rate, along with a sharp blade designed to make smooth cuts will produce excellent cut quality. If the blade supplied with your Mitre Saw is not completely satisfactory, we suggest that you select a blade from the accessory blades according to your requirements and material being cut.

Adjustments

TURN OFF AND UNPLUG SAW BEFORE MAKING ANY ADJUSTMENTS.

Your Black & Decker Mitre Saw was assembled, aligned and inspected at the factory prior to shipment. Adjustments to the pivot arm bolt may be required as wear occurs or as a result of rough handling during shipment.

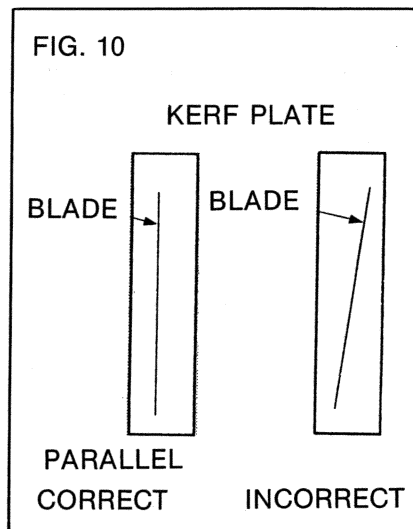
UPPER PIVOT ADJUSTMENTS

The pivot arm bolt, located in the rear pivot, has two functions. First, it loads the upper pivot to prevent excess motion; and second, it applies friction to control the counter balance spring located in the pivot assembly. This adjustment must be made with the saw fully assembled (including the blade normally used). Loosen or tighten the pivot bolt by turning the hex head located on the left side of the pivot assembly until nearly all play is removed and the motor moves up smoothly when released.

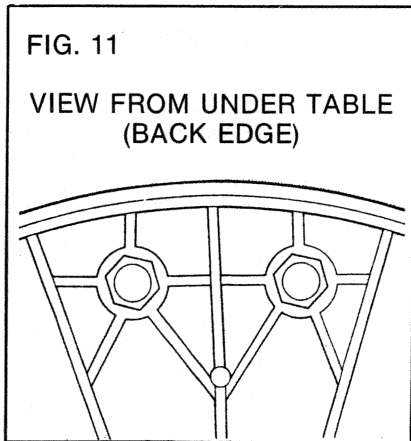
BLADE TO FENCE SQUARENESS: Perform the steps listed below:

NOTE: Adjustment Procedure is the same whether your saw is new or has been used. Please disregard any slots cut previously in the kerf plate, when making adjustments.

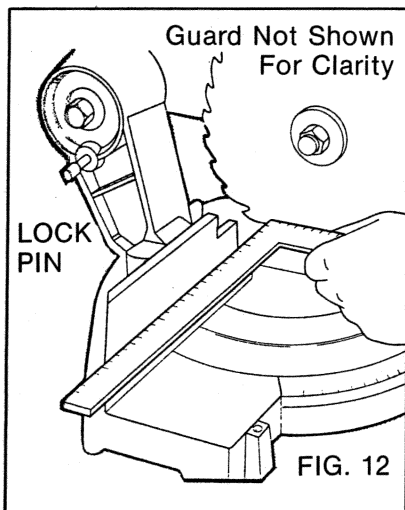
1. Secure the saw to a level work bench or similar sturdy surface with two "C" clamps.
2. With the saw unplugged, lower the pivot arm until the saw blade just touches the plastic kerf plate. Blade should appear to be parallel to the sides of the kerf plate. It is not important that the blade be perfectly centered to the kerf plate, but more importantly it should be reasonably parallel. See Figure 10.



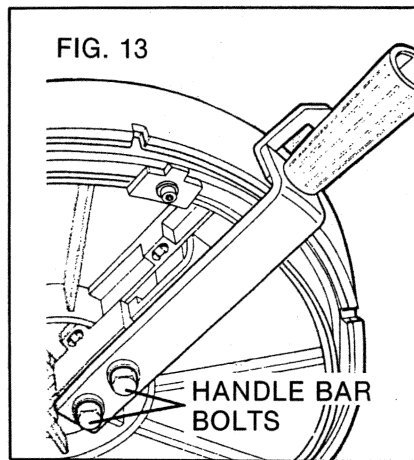
If the blade appears to be parallel, proceed to step 4, if not, loosen (do not remove) the two pivot mount bolts under the back edge of the saw table that hold the pivot mount (see Fig. 11) to the saw. Align the blade as necessary and tighten the pivot mount bolts (280-320 in. lbs.) (**DO NOT OVERTIGHTEN.**)



3. Check the squareness of the blade using a square. If the blade checks O.K. then saw is ready for use after performing step 4.
4. Unplug the saw. Remove the kerf plate. Lower the motor and blade and lock the motor in the down position by depressing the lock pin. Check the squareness of the blade to the fence using a square, as shown in Figure 12. If the blade is square, raise the pivot arm, replace the kerf plate securely and refer to "Cutting the Kerf" on page 8. If the blade is not square to the fence, go to step 5.



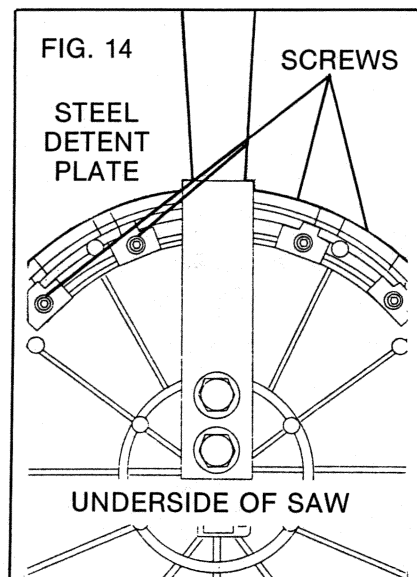
5. If blade and fence are not square (90°) you must align them in order to achieve the accuracy of which your saw is capable.
6. To adjust the squareness, loosen the two handle bar bolts, which are located underneath the saw in the middle of the rotary table. (Fig. 13. **DO NOT REMOVE THESE BOLTS.**)



7. With the handle bar bolts loose and the rotary base set in the zero position, align the blade square to the fence. (Fig. 12).
8. Tighten the handle bar bolts (280-320 in. lbs.) and your saw should be properly adjusted.

NOTE: In some rare cases, the above procedure will not be effective for adjusting the squareness of the blade to the fence. After tightening the Handle Bar Bolts as described in step 8, perform the additional steps listed here to achieve squareness.

Loosen (but do not remove) the four screws that hold the steel detent plate to the underside of the saw, as shown in FIGURE 14.



Using the carpenter's square to check your work, slide the steel detent plate as necessary to achieve squareness between the blade and fence.

Tighten the four screws securely. The saw is now ready for use.

Preventive Maintenance

Your Black & Decker Power Mitre Saw is engineered for extended usage with minimum maintenance. Self lubricating bearings are used in the tool and periodic re-lubrication is not required. However, it is recommended that, once a year, you take or send the tool to a B&D Service Centre for a thorough cleaning, inspection and lubrication of the gear case. Inspect brake periodically and replace if worn.

Use only mild soap and a damp cloth to clean the tool. Many household cleaners contain chemicals which could seriously damage the plastic. Also, do not use gasoline, turpentine, lacquer or paint thinner, dry cleaning fluids or similar products. Never let any liquid get inside the tool; never immerse any part of the tool into a liquid.

IMPORTANT: To assure SAFETY and RELIABILITY, repairs, maintenance and adjustment (including brush inspection and replacement) should be performed by Black & Decker Service Centres or other qualified service organizations, always using Black & Decker replacement parts. When servicing Double-Insulated Tools, it is extremely important that **ONLY IDENTICAL REPLACEMENT PARTS BE USED and that REASSEMBLY OF TOOLS IS IDENTICAL TO THE ORIGINAL ASSEMBLY.**

Accessories

PROHIBITED ACCESSORIES

The use of any cutting tool except 10" saw blades which meet the requirement under recommended accessories is prohibited. Do not use accessories such as shaper cutters or dado sets. Ferrous metal cutting and the use of abrasive wheels is prohibited.

RECOMMENDED ACCESSORIES

The accessories listed in this manual are available at extra cost from your local dealer or Black & Decker Service Centre. A complete listing of service centres is included on the service depot list packed with your tool.

If you need assistance in locating any accessory, please contact:

Black & Decker Canada Inc.
User Services Department
100 Central Ave.
Brockville, Ontario K6V 5W6

THE USE OF ANY ACCESSORIES OR ATTACHMENTS OTHER THAN THE FOLLOWING RECOMMENDED BLACK & DECKER ACCESSORIES MIGHT BE HAZARDOUS.

RECOMMENDED BLACK & DECKER ACCESSORIES

DESCRIPTION	SUGGESTED USAGE
10" Combination (Carbide)	Medium Fine Cuts
10" Cross cut	Excellent cuts for trim work
10" Combination (Premium)	General purpose. Slightly rough cuts
10" Planer (Hollow Ground)	Excellent cuts for trim work
Deluxe Machine Stand	Stable work surface, 23" x 18-3/4" x 30-1/2" high. Rubber foot grommets.
Goggles	Elastic band and air vents. Meets OSHA requirements

RAPID EXCHANGE FULL 2 YEARS HOME USE WARRANTY

Black & Decker warrants this product for two years against defect in material and workmanship in normal residential use. This warranty does not cover damage resulting from negligent handling, misuse or lack of reasonable care. Please return the complete unit, transportation prepaid, to the seller for free replacement if the seller is a participating retailer in the Black & Decker rapid exchange program. (Proof of purchase may be required by the seller.) The unit may also be returned to a Black & Decker service centre or authorized service station for free replacement or repair at our option. This warranty does not apply to accessories.

In returning the tool for replacement, all original standard equipment must also be returned (for example, chuck, chuck key, auxiliary handles, circular saw blades). Expendable original equipment such as sanding sheets, belts and discs and jig saw blades need not be returned. For kits and assortments only the basic power tool will be replaced.

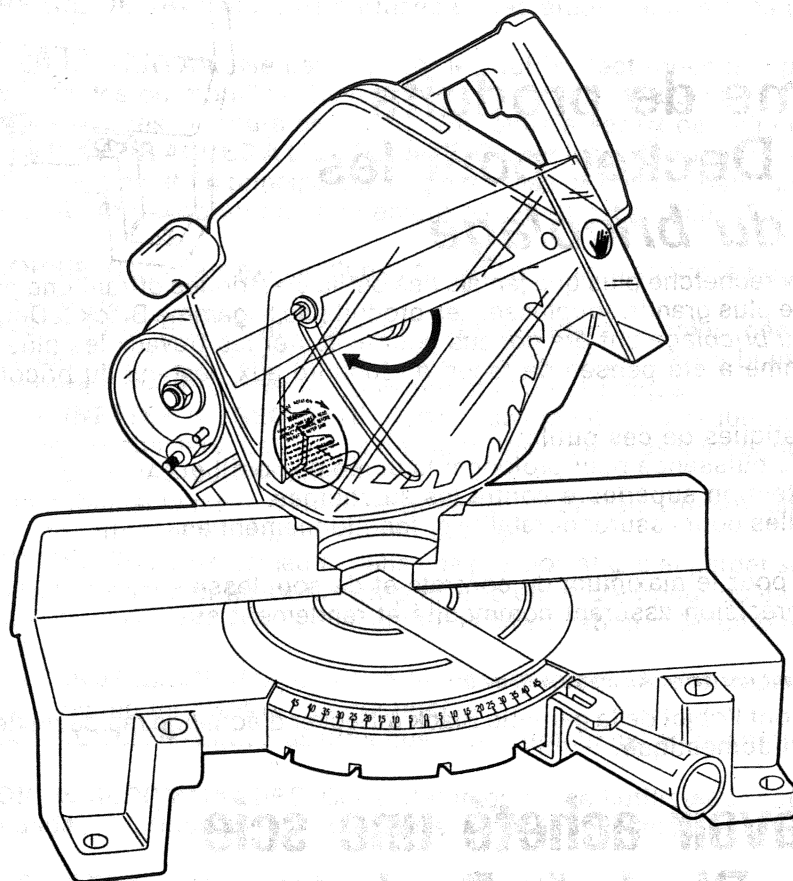
The sole remedy for breach of this warranty and the sole obligation of Black & Decker hereunder is the repair or replacement of the defective product at Black & Decker's option. Black & Decker shall have no liability whatsoever at any time for any personal injury or property damages or for any special, indirect or consequential damages of any kind howsoever arising.

This warranty is strictly limited to its terms and is in lieu of any kind and all other warranties and conditions, written or oral, whether express or implied.

Note: This warranty and related provisions set out above may not be applicable in certain provinces.



BLACK&DECKER®



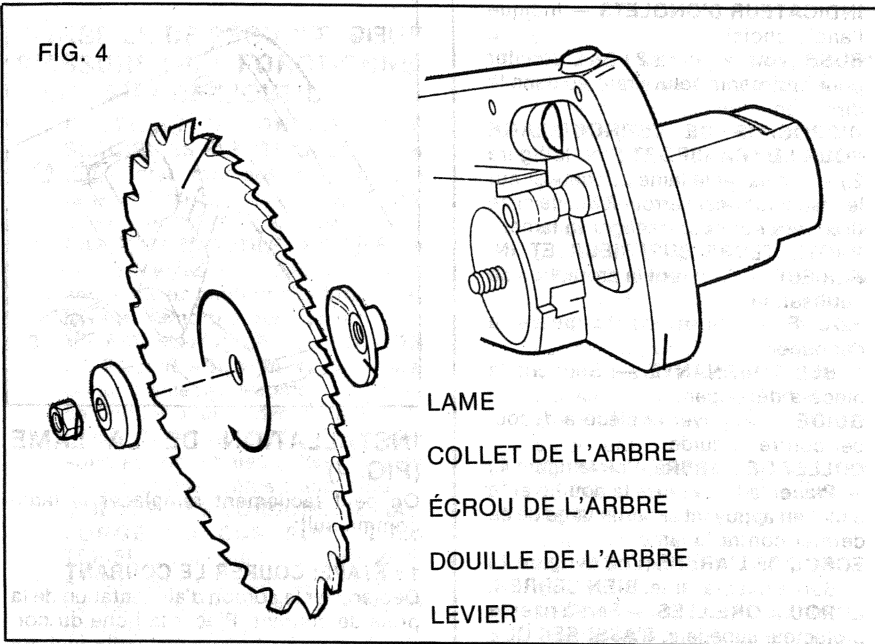
GUIDE DE L'UTILISATEUR

Scie à onglets de 254 mm

Modèle 1701-04

Conçu spécialement pour
Les Mordus Du Bricolage

FIG. 4



RAINURAGE DE LA PLAQUE

(On entend par rainure l'entaille faite par la lame.)

Il faut pratiquer une rainure dans la plaque. Au préalable, lire les directives suivantes relatives à la coupe. Il est conseillé d'utiliser une pièce de bois de 1 pouce sur 6 pour entailler uniformément la plaque.

NOTA: La lame de la scie ne traversera pas complètement la pièce de bois de sorte que cette dernière restera en un seul morceau.

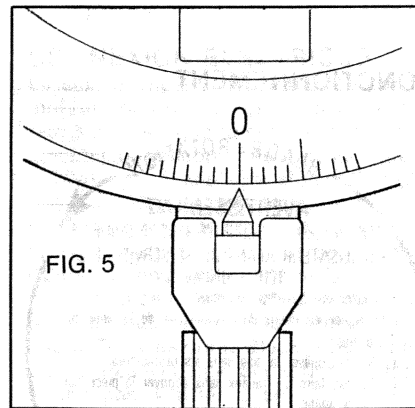
On effectue la coupe en suivant les cinq étapes décrites ci-après. Il faut être extrêmement vigilant lorsqu'on manipule la scie à onglets ou tout autre outil électrique afin d'éviter les risques de blessures.

1^{re} ÉTAPE: CHOIX DE L'ANGLE

Placer la scie sur une table ou un établi, et la fixer à l'aide de serre-joints en C. Élever la lame à sa hauteur maximale. Dévisser le bouton de serrage pour onglets d'environ un quart-de-tour et abaisser le dispositif de verrouillage pour onglets. Faire tourner le bras de pivot jusqu'à ce que l'indicateur montre l'angle voulu. Relâcher le dispositif de verrouillage et resserrer à la main le bouton de serrage. Le dispositif de verrouillage se place automatiquement à des angles de 0°, 22 1/2° et 45°, à droite ou à gauche. Pour choisir un de ces angles, relâcher le dispositif et ce dernier se placera dans l'encoche appropriée. Visser ensuite manuellement le bouton de serrage. Lorsqu'on veut obtenir un angle qui se trouve à un degré de l'encoche incorporée, il suffit de visser le bouton de serrage tout en tenant le dispositif de verrouillage abaissé à l'endroit voulu.

NOTA: Afin d'obtenir des coupes précises et fidèles, on peut régler l'indicateur d'onglets à gauche ou à droite. Pour le régler, il suffit de placer le bras pour onglets à la position zéro et laisser le dispositif de verrouillage s'engager dans l'encoche. On visse ensuite le bouton de serrage. À ce

moment, si l'indicateur ne pointe pas exactement vers le zéro, il suffit de le pousser dans le sens voulu à l'aide du doigt ou d'un tournevis. Lorsque l'indicateur est réglé, il n'est plus nécessaire d'y toucher (fig. 5).



2^e ÉTAPE: POSITIONNEMENT DE LA PIÈCE

On place la pièce sur le dessus de la table contre le guide lorsque la lame se trouve en position relevée et que le moteur est éteint, en s'assurant que la plaque rainurée se trouve dans la bonne position. Tenir la pièce fermement en place en évitant de mettre les mains près de la lame et des protecteurs.

ÉVITER DE COUPER DE PETITES PIÈCES CAR LES MAINS SERAIENT ALORS TROP PRÈS DE LA LAME. SOUTENIR LES PIÈCES LONGUES AU MOYEN D'UN PORTE-PIÈCE EN SAILLIE.

Ne jamais découper une pièce non soutenue (c'est-à-dire en ne la soutenant que de la main). La pièce doit toujours être bien appuyée contre le guide ou un support pour éviter les mouvements imprévus.

3^e ÉTAPE: ESSAI À BLANC

Effectuer un essai à blanc pour bien connaître le fonctionnement de la scie avant de la mettre sous tension.

DISPOSITIF DE VERROUILLAGE POUR LE TRANSPORT

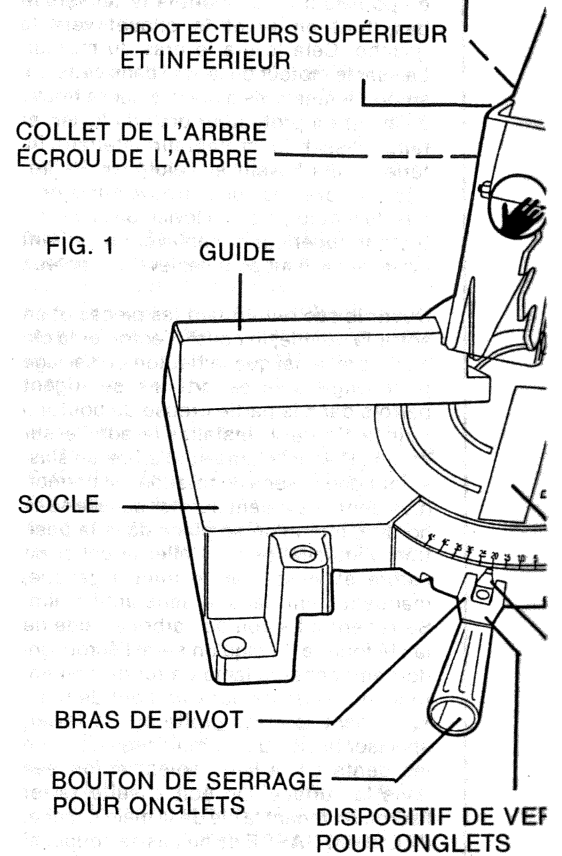
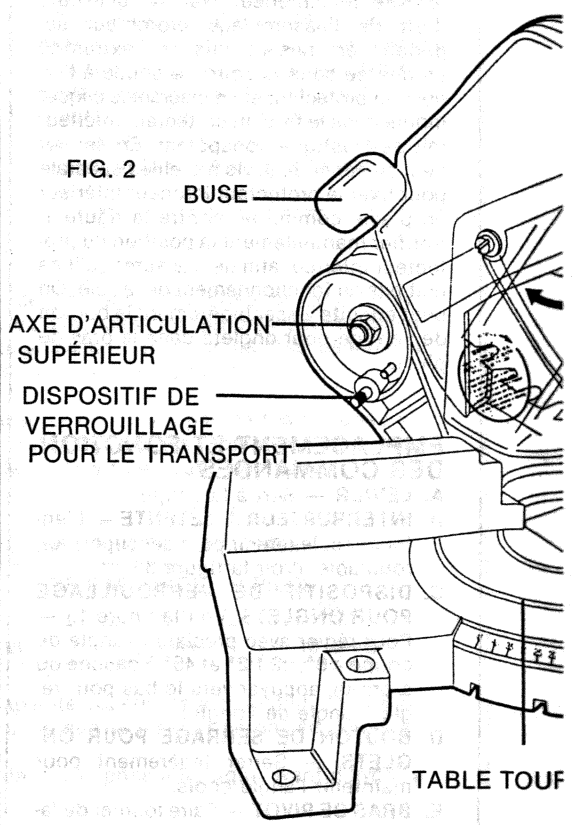
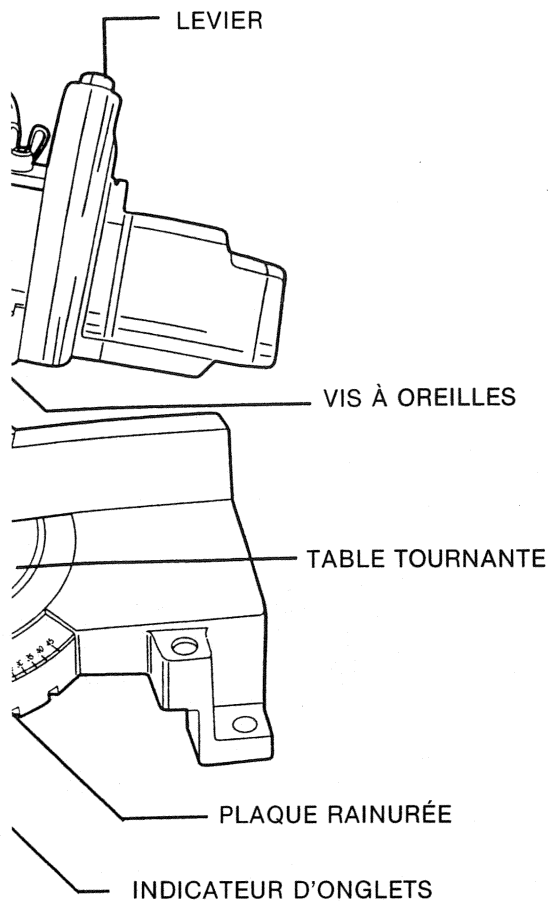
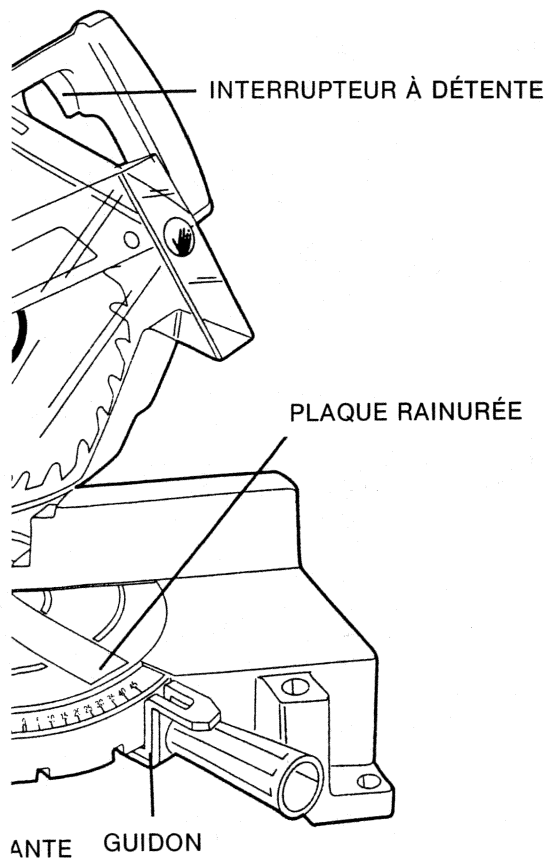


FIG. 2





DUILLAGE



4^e ÉTAPE: DÉMARRAGE DU MOTEUR
 Bien saisir le levier. Appuyer sur l'interrupteur à détente. Avant de commencer à découper, attendre que la lame atteigne son régime maximal.

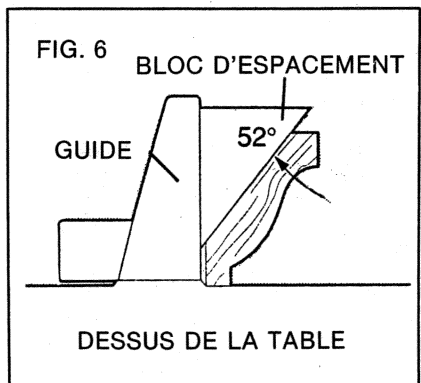
5^e ÉTAPE: DÉCOUPAGE DE LA PIÈCE
 Tout en tenant fermement la pièce de la façon décrite à la deuxième étape, abaisser doucement et uniformément la lame jusqu'à ce qu'elle traverse la pièce et la plaque rainurée. Relâcher l'interrupteur à détente et laisser la lame s'arrêter complètement. Sortir la lame de la pièce.

ATTENTION: L'utilisation de la scie comporte des risques. Éviter de toucher à la lame lorsqu'elle est en mouvement. Vérifier régulièrement si l'écrou de fixation de la lame est bien vissé. Le resserrer au besoin.

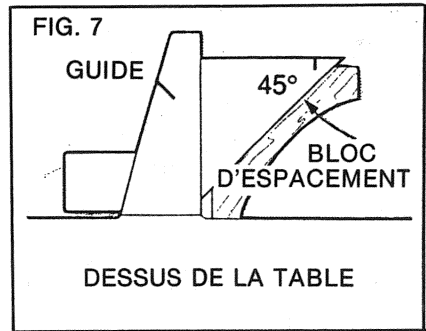
6^e ÉTAPE: ENLÈVEMENT DE LA PIÈCE ET DES MORCEAUX
 On doit retirer la pièce et les morceaux découpés lorsque la lame s'est immobilisée. Se servir d'un petit morceau de bois de rebut, au lieu des doigts, pour enlever la sciure et les copeaux qui se trouvent près de la lame.

CONSEILS PRATIQUES RELATIFS À LA COUPE
 Voici plusieurs suggestions pour permettre à l'utilisateur de se servir facilement et précisément de la scie à onglets de Black & Decker.

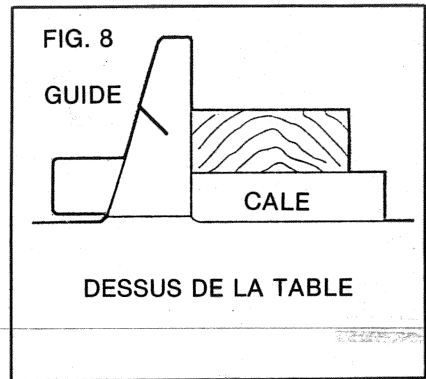
MOULURES COURONNÉES (FIG. 6)
 Pour effectuer des coupes répétitives sur une moulure couronnée, fabriquer deux blocs d'espacement de 10 po de longueur, comme ceux qui sont illustrés (percer quatre trous de 3/16 po de diamètre dans les plats qui se trouvent derrière le guide). Fixer les blocs au guide au moyen de vis en tôle. S'assurer que les deux blocs se trouvent à distance égale du dessus de la table.



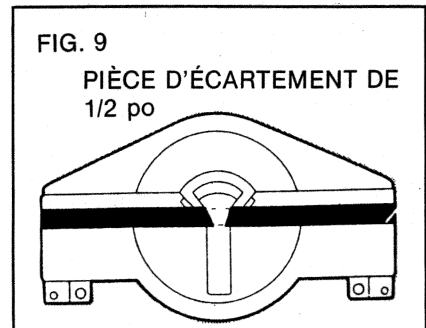
MOULURES CONCAVES (FIG. 7)
 Pour effectuer des coupes répétitives sur une moulure concave, fabriquer deux blocs d'espacement de 10 po de longueur, comme ceux qui sont illustrés, et les fixer au guide au moyen de vis en tôle passées dans les trous percés dans le guide. S'assurer que les deux blocs se trouvent à distance égale du dessus de la table. Voir la figure 7.



DÉCOUPAGE EN ONGLETS DE MATÉRIAUX TRÈS LARGES POSÉS À PLAT (FIG. 8)
 On doit placer une cale (semblable à celle qui est illustrée) entre les matériaux très larges qu'on veut couper en onglets et le dessus de la table. La cale se fixe au guide ou à la table. Voir la figure 8.



RÉDUCTION DE L'ÉCARTEMENT DES SECTIONS DU GUIDE (FIG. 9)
 Le guide incorporé est placé vers l'arrière, afin de maximiser la largeur de coupe. Pour cette raison, l'écartement entre les sections du guide doit être large, de façon à laisser passer la lame. Lorsqu'il n'est pas nécessaire d'utiliser la largeur de coupe maximale, on peut réduire l'écartement en fixant une pièce de bois droite (d'environ 3 po de largeur sur 18 1/2 po longueur et sur 1/2 po d'épaisseur) aux sections du guide, de la façon illustrée. La pièce d'écartement se fixe à l'aide des vis en tôle traversant des trous percés dans les sections du guide. Régler le bras de pivot complètement à droite et à gauche, puis découper la section pointillée de la pièce d'écartement avec la lame qui sera utilisée. Voir la figure 9.



CONSEILS PRATIQUES RELATIFS À LA COUPE

La douceur de la taille voulue varie selon le matériau découpé, le type et l'affûtage de la lame, et la vitesse de coupe. Ainsi, on effectue une taille grossière du bois d'assemblage de la façon la plus économique en découpant la pièce assez rapidement à l'aide d'une lame bien affûtée. Toutefois, pour tailler en douceur et avec précision des moulures finies, il est préférable d'utiliser une lame bien tranchante, conçue à cet effet, et de découper à vitesse réduite afin d'obtenir une coupe de qualité supérieure. Si la lame fournie avec la scie à onglets ne donne pas entière satisfaction à l'utilisateur, celui-ci peut en choisir une autre au tableau des accessoires recommandés, selon ses exigences et le type de matériau à découper.

RÉGLAGE

METTRE LA SCIE HORS CIRCUIT ET LA DÉBRANCHER AVANT DE LA RÉGLER.

La scie à onglets de Black & Decker a été assemblée, centrée et essayée en usine avant d'être expédiée. L'usure ou les chocs occasionnés par le transport peuvent avoir dérégulé le bras du pivot.

RÉGLAGE DU PIVOT SUPÉRIEUR

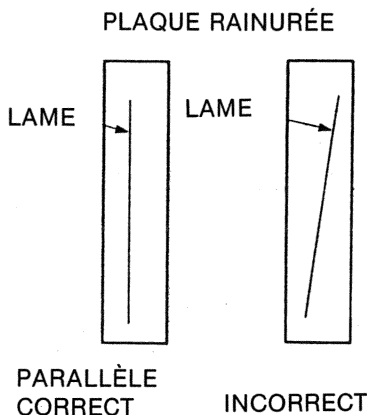
Le boulon du bras de pivot, qui se trouve dans le pivot arrière, a deux fonctions. Premièrement, il exerce une pression sur le pivot supérieur pour en empêcher les mouvements excessifs et deuxièmement, il produit un frottement servant à contrôler le ressort d'équilibre situé dans l'assemblage pivot. Ce réglage doit être fait lorsque la scie est entièrement assemblée (et que la lame normalement utilisée est installée). Desserrer ou visser le boulon du pivot en tournant la tête à six pans située du côté gauche de l'assemblage pivot jusqu'à ce qu'il n'y ait presque plus de jeu et que le moteur se déplace doucement vers le haut lorsqu'on le relâche.

ÉQUERRAGE DE LA LAME — Procéder comme suit:

NOTA: Les directives pour le réglage sont les mêmes, que la lame soit neuve ou non. Ne pas tenir compte des rainures de la plaque lors du réglage.

1. Fixer la scie de niveau sur un établi ou une surface de travail semblable, à l'aide de deux serre-joints en C.
2. Lorsque la scie est débranchée, abaisser le bras de pivot jusqu'à ce que la lame de la scie touche à la plaque rainurée en plastique. La lame doit être parallèle aux bords de la plaque. La lame ne doit pas nécessairement être au centre de la plaque mais elle doit être le plus parallèle possible. Voir la figure 10.

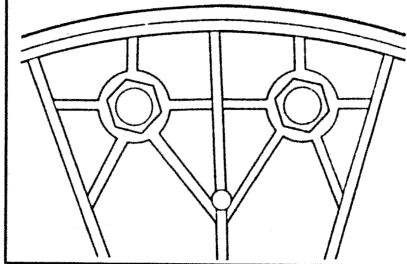
FIG. 10



Si la lame semble parallèle aux bords de la plaque, passer à la 4^e étape. Dans le cas contraire, dévisser (sans les retirer) les deux boulons de montage du pivot qui se trouvent sous le rebord arrière de la table de la scie, où le pivot est retenu (voir la fig. 11). Aligner la lame et resserrer les boulons de montage du pivot (de 280 à 320 po lb). (**NE PAS TROP SERRER.**)

FIG. 11

VUE DEPUIS LE DESSOUS DE LA TABLE (REBORD ARRIÈRE)



3. Vérifier si la lame est perpendiculaire au guide à l'aide d'une équerre. Le cas échéant, on peut se servir de la scie après avoir effectué la 4^e étape.
4. Débrancher la scie. Retirer la plaque rainurée. Abaisser le moteur et la verrouiller en enfonçant le cliquet. Vérifier si la lame est perpendiculaire au guide à l'aide d'une équerre, comme l'illustre la figure 12. Si c'est le cas, soulever le bras de pivot, remettre la plaque rainurée en place et consulter la section intitulée "Rainurage de la plaque" à la page xx. Si la lame n'est pas perpendiculaire au guide, passer à la 5^e étape.

Illustration sans le protecteur pour plus de clarté

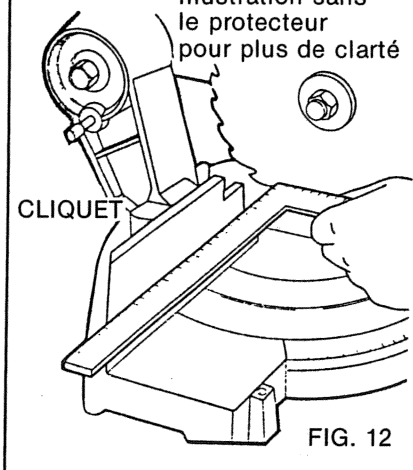
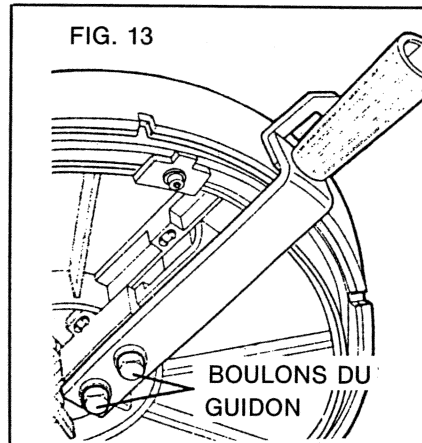


FIG. 12

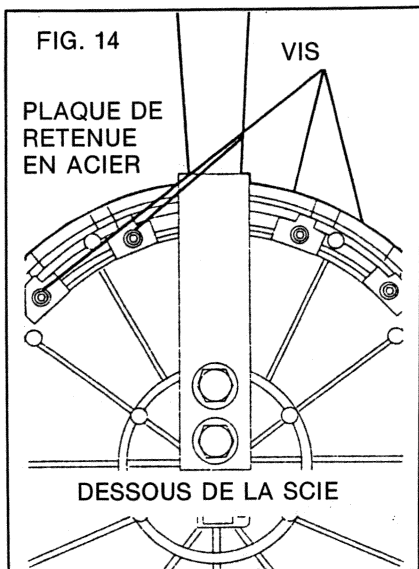
5. Si la lame et le guide ne sont pas d'équerre (90°), il faut les aligner afin d'optimiser la précision de la lame.
6. Pour régler l'équerrage, dévisser les deux boulons du guidon qui se trouvent sous la scie, au centre de la table tournante. Voir la figure 13. (**NE PAS ENLEVER CES BOULONS.**)

FIG. 13



7. Lorsque les boulons du guidon sont dévissés et que la table tournante est à la position zéro, aligner la lame de façon qu'elle soit perpendiculaire au guide. (Voir la figure 12).
8. Resserrer les boulons du guidon (280-320 po lb) et la scie devrait être bien réglée.

NOTA: Il arrive très rarement que les directives qui précèdent ne soient pas efficaces pour l'équerrage de la lame. Si c'est le cas, il faut effectuer ce qui suit après avoir revissé les boulons du guidon, comme l'indique la 8^e étape. Dévisser (sans les retirer) les quatre vis de la plaque de retenue en acier de la scie, comme l'illustre la figure 14.



Faire glisser la plaque de façon que la lame soit perpendiculaire au guide, puis vérifier les résultats à l'aide d'une équerre. Bien resserrer les quatre vis. On peut maintenant se servir de la scie.

ENTRETIEN PRÉVENTIF

La scie à onglets électrique de Black & Decker est conçue pour une utilisation prolongée avec un minimum d'entretien. L'outil est monté sur des coussinets à billes autolubrifiants qui ne requièrent pas de lubrification périodique. Toutefois, il est conseillé d'envoyer ou de remettre chaque année la scie à onglets au centre de service Black & Decker le plus près pour l'inspection, la lubrification et le nettoyage complets de la boîte d'engrenages. Vérifier régulièrement le frein et le remplacer au besoin.

N'utiliser qu'un chiffon humecté et un savon doux pur nettoyer l'outil. De nombreux produits nettoyants domestiques contiennent des produits chimiques qui

peuvent gravement endommager le plastique. Ne pas utiliser non plus d'essence, de térébenthine, de laque, de solvants, de liquides pour le nettoyage à sec ou tout autre produit semblable. Veiller à ne pas laisser pénétrer de liquide dans le boîtier et ne jamais immerger les composants de la scie à onglets.

IMPORTANT: Pour assurer la SÉCURITÉ D'UTILISATION et la FIABILITÉ de cet outil, n'en confier la réparation, les ajustements et la mise au point qu'au centre de service Black & Decker ou à un atelier d'entretien autorisé n'utilisant que les seules pièces de rechange Black & Decker. Pour l'entretien d'outils à double isolation, il est extrêmement important DE N'UTILISER QUE DES PIÈCES DE RECHANGE IDENTIQUES et de s'assurer que LE REMONTAGE DE L'OUTIL EST IDENTIQUE À SON ASSEMBLAGE ORIGINAL.

ACCESSOIRES

ACCESSOIRES INTERDITS

L'utilisation de tout autre OUTIL COUPANT qu'une lame de 10 po conforme à celles qui sont indiquées dans le tableau des accessoires recommandés est strictement interdite. Ne pas se servir d'accessoires comme des tranchants de toupies ou des lames de scie à rainurer. Il est interdit de couper les métaux ferreux et de se servir de meules abrasives.

ACCESSOIRES RECOMMANDÉS

Les accessoires décrits dans le présent guide sont en vente chez les détaillants ou au centre de service Black & Decker. La liste des ateliers d'entretien autorisés se trouve dans l'emballage.

Pour trouver un accessoire, on peut communiquer avec:

Black & Decker Canada Inc.
Service à la clientèle
100 Central Avenue
Brockville, Ontario
K6V 5W6

L'UTILISATION DE TOUT AUTRE ACCESSOIRE QUE CEUX QUI SONT RECOMMANDÉS PAR BLACK & DECKER DANS LE TABLEAU SUIVANT PEUT ÊTRE DANGEREUSE.

ACCESSOIRES RECOMMANDÉS PAR BLACK & DECKER

DESCRIPTION	UTILISATION RECOMMANDÉE
Lame combinée de 10 po (au carbure)	Coupes mi-douces
Lame pour coupes transversales de 10 po	Excellente pour les moulures
Lame combinée de 10 po (de qualité supérieure)	Tout usage. Pour les coupes grossières.
Lame de scie à rectifier de 10 po (à dents évidées)	Excellente pour les moulures
Support pour scie de luxe	Surface de travail stable de 23 po sur 18 3/4 po, et 30 1/2 po de hauteur. Pieds passe-fil en caoutchouc.
Lunettes de sécurité	Munies d'une bande élastique et d'ouvertures d'aération. Conformes aux normes de l'OSHA.

GARANTIE D'ÉCHANGE RAPIDE POUR UTILISATION DOMESTIQUE

Black & Decker garantit ce produit pour deux ans contre les vices de matière et de fabrication dans le cadre d'un usage résidentiel normal. Cette garantie ne s'applique pas aux dommages causés à la suite de négligence, d'abus ou du manque d'entretien raisonnable. Veuillez retourner l'appareil au complet, frais de ports payés, au vendeur qui le remplacera gratuitement s'il fait partie du programme d'échange rapide Black & Decker. (Le vendeur peut exiger une preuve d'achat.) L'outil peut aussi être retourné dans un Centre de service Black & Decker ou dans un atelier de réparation autorisé qui le remplacera ou le réparera sur notre indication. Cette garantie ne s'applique pas aux accessoires.

Joindre à l'outil retourné tout équipement standard original (ex.: mandrin, clé de mandrin, poignées auxiliaires, lames de scies circulaires). L'équipement accessoire comme les papiers abrasifs, les courroies, les disques et les lames des scies à découper n'ont pas besoin d'être retournés. Dans le cas des ensembles et jeux d'outils, seul l'outil électrique de base sera remplacé.

Le seul recours pour violation des conditions essentielles de cette garantie et la seule obligation de Black & Decker en vertu de la présente portant sur la réparation ou le remplacement du produit défectueux, au choix de Black & Decker. Black & Decker n'assume, en tout temps, aucune responsabilité de quelque nature que ce soit, relativement aux blessures corporelles, dommages matériels ou toute autre dommage indirect ou accessoire, quelle qu'en soit la cause.

La présente garantie est strictement limitée aux termes et conditions précitées et a préséance sur tout autre garantie ou condition, écrite ou verbale, expresse ou implicite.

REMARQUE: Cette garantie et les dispositions précitées peuvent ne pas être valides dans certaines provinces.