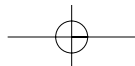


---

**Black & Decker (U.S.) Inc. • 701 East Joppa Road, Towson, Maryland 21286**  
Printed in Italy (JUL96-2) Form No. 154706 Copyright © 1996





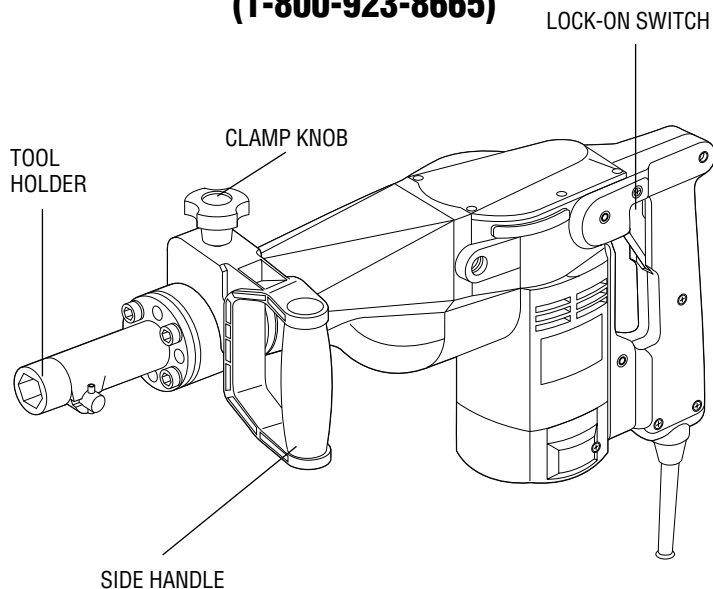
# Instruction Manual

## 5022K Demolition Hammer

## Getting the most out of your tool.

Please take time to read this manual and pay particular attention to the safety rules we've provided for your protection. If you have any questions about your tool please call:

**1-800-9-BD TOOL**  
**(1-800-923-8665)**



## IMPORTANT SAFETY INSTRUCTIONS

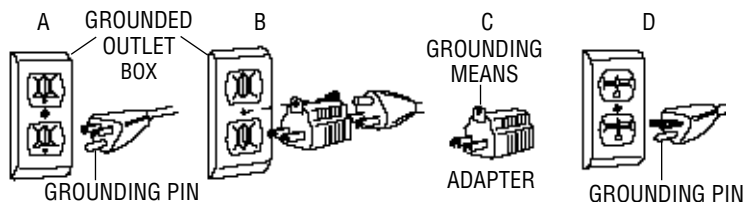
### Important Safety Instructions

**WARNING:** When using electric tools, basic safety precautions should always be followed to reduce risk of fire, electric shock, and personal injury, including the following:

**READ ALL INSTRUCTIONS**

### Grounding Instructions

This tool should be grounded while in use to protect the operator from electric shock. The tool is equipped with a 3-conductor cord and 3-prong grounding type plug to fit the proper grounding type receptacle. The green (or green and yellow) conductor in the cord is the grounding wire. Never connect the green (or green and yellow) wire to a live terminal. If your unit is intended for use on less than 150 V, it has a plug that looks like that shown in sketch A. If it is for use on 150 to 250 V, it has a plug that looks like that shown in sketch D. An adapter, sketches B and C, is available for connecting sketch A type plugs to 2-prong receptacles. The green-colored rigid ear, lug, or the like, extending from the adapter must be connected to a permanent ground, such as a properly grounded outlet box. No adapter is available for a plug as shown in sketch D. ADAPTER SHOWN IN FIGURES B and C IS NOT FOR USE IN CANADA.



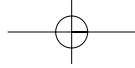
## Safety Instructions For All Tools

- **KEEP WORK AREA CLEAN.** Cluttered areas and benches invite injuries.
- **CONSIDER WORK AREA ENVIRONMENT.** Don't expose power tools to rain. Don't use power tools in damp or wet locations. Keep work area well lit. Do not use tool in presence of flammable liquids or gases.
- **GUARD AGAINST ELECTRIC SHOCK.** Prevent body contact with grounded surfaces. For example; pipes, radiators, ranges, and refrigerator enclosures.
- **KEEP CHILDREN AWAY.** Do not let visitors contact tool or extension cord. All visitors should be kept away from work area.
- **STORE IDLE TOOLS.** When not in use, tools should be stored in dry, and high or locked-up place — out of reach of children.
- **DON'T FORCE TOOL.** It will do the job better and safer at the rate for which it was intended.
- **USE RIGHT TOOL.** Don't force small tool or attachment to do the job of a heavy-duty tool. Don't use tool for purpose not intended.
- **DRESS PROPERLY.** Do not wear loose clothing or jewelry. They can be caught in moving parts. Rubber gloves and non-skid footwear are recommended when working outdoors. Wear protective hair covering to contain long hair.
- **USE SAFETY GLASSES.** Also use face or dust mask if operation is dusty.
- **DON'T ABUSE CORD.** Never carry tool by cord or yank it to disconnect from receptacle. Keep cord from heat, oil, and sharp edges.
- **SECURE WORK.** Use clamps or a vise to hold work. It's safer than using your hand and it frees both hands to operate tool.
- **DON'T OVERREACH.** Keep proper footing and balance at all times.
- **MAINTAIN TOOLS WITH CARE.** Keep tools sharp and clean for better and safer performance. Follow instructions for lubricating and changing accessories. Inspect tool cords periodically and if damaged, have repaired by authorized service facility. Inspect extension cords periodically and replace if damaged. Keep handles dry, clean, and free from oil and grease.
- **DISCONNECT OR LOCK OFF TOOLS** when not in use, before servicing, and when changing accessories, such as blades, bits, cutters.

- **REMOVE ADJUSTING KEYS AND WRENCHES.** Form habit of checking to see that keys and adjusting wrenches are removed from tool before turning it on.
- **AVOID UNINTENTIONAL STARTING.** Don't carry tool with finger on switch. Be sure switch is off when plugging in.
- **EXTENSION CORDS.** Make sure your extension cord is in good condition. When using an extension cord, be sure to use one heavy enough to carry the current your product will draw. An undersized cord will cause a drop in line voltage resulting in loss of power and overheating. The following table shows the correct size to use depending on cord length and nameplate ampere rating. If in doubt, use the next heavier gage. The smaller the gage number, the heavier the cord.

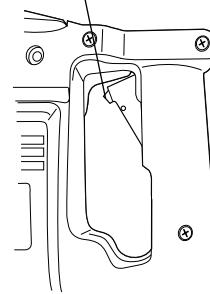
Volts	Minimum Gage for Cord Sets			
	Total Length of Cord in Feet			
120V	0-25	26-50	51-100	101-150
240V	0-50	51-100	101-200	201-300
Ampere Rating		AWG		
More Than	Not more Than			
0 -	6	18	16	14
6 -	10	18	16	14
10 -	12	16	16	14
12 -	16	14	12	Not Recommended

- **OUTDOOR USE EXTENSION CORDS.** When tool is used outdoors, use only extension cords intended for use outdoors and so marked.
- **STAY ALERT.** Watch what you are doing. Use common sense. Do not operate tool when you are tired.
- **CHECK DAMAGED PARTS.** Before further use of the tool, a guard or other part that is damaged should be carefully checked to determine that it will operate properly and perform its intended function. Check for alignment of moving parts, binding of moving parts, breakage of parts, mounting, and any other conditions that may affect its operation. A guard or other part that is damaged should be properly repaired or replaced by an authorized service center unless otherwise indicated elsewhere in this instruction manual. Have defective switches replaced by authorized service center. Do not use tool if switch does not turn it on and off.

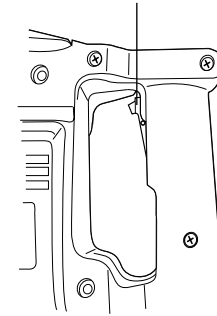


**Figure 1**

TRIGGER RELEASE BUTTON



LOCK-ON SWITCH  
(SHOWN IN ON POSITION)

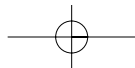
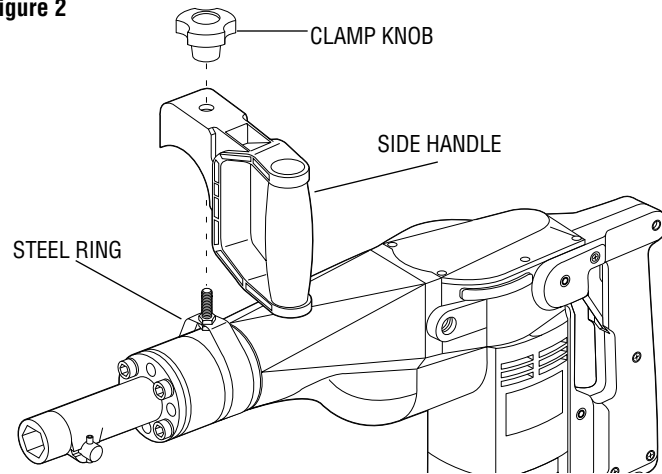


**Figure 2**

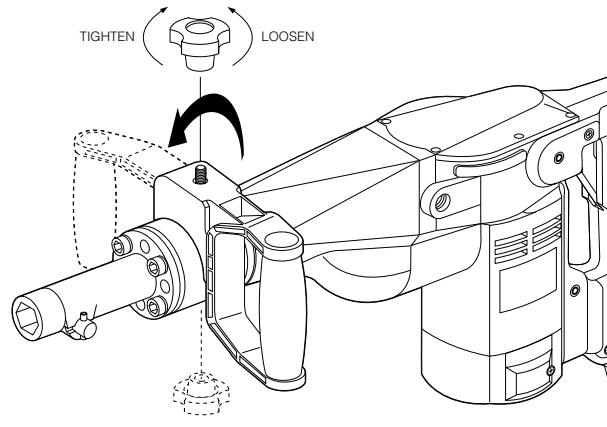
CLAMP KNOB

SIDE HANDLE

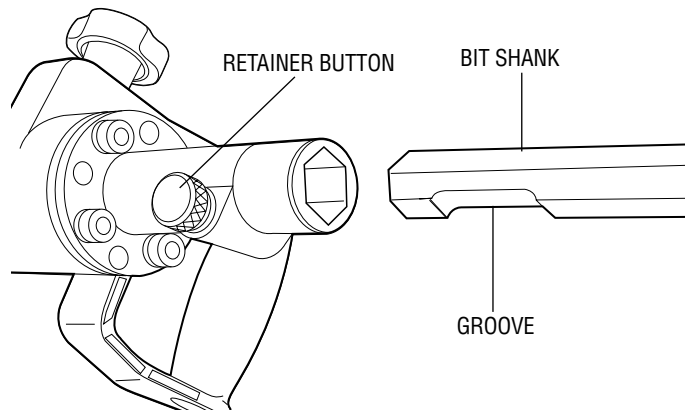
STEEL RING



**Figure 3**



**Figure 4**



### Additional Safety Instructions for Hammers

- **WEAR SAFETY GOGGLES** or other eye protection.
- **WEAR EAR PROTECTORS** when hammering for extended periods.
- **ALWAYS USE THE SIDE HANDLE** supplied with the tool. Keep a firm grip on the hammer when it is operating.
- **DON'T OVERREACH.** Maintain a firm, balanced working stance. When necessary, use only properly positioned, safe platforms, ladders and scaffolds, to do the job safely.
- Hammer bits and tools get hot in operation. Wear gloves when touching them.
- **CAUTION:** When drilling or driving into walls, floors or wherever "live" electrical wires may be encountered, **DO NOT TOUCH ANY FRONT METAL PARTS OF THE TOOL!** Hold the tool only by the plastic handle to prevent shock if you drill or drive into a "live" wire.

### SAVE THESE INSTRUCTIONS

#### Motor

Your tool is powered by a B&D built motor. Be sure your power supply agrees with nameplate marking.

Voltage decrease of more than 10% will cause loss of power and overheating. All B&D tools are factory tested; if this tool does not operate, check the power supply.

#### Switch (Fig. 1)

**NOTE:** The switch on your hammer is designed to lock-on. Squeeze the trigger to lock-on the tool. To turn the tool off, press the trigger release button.

Every B&D tool is of the highest quality.

If you wish to contact us regarding this product, please call toll free between 8:00am and 8:00pm ET, seven days a week:

**1-800-9-BD TOOL**  
(1-800-923-8665)

#### Side Handle (Fig. 2)

ALWAYS OPERATE THE TOOL WITH THE SIDE HANDLE PROPERLY ASSEMBLED.

##### TO ADJUST THE SIDE HANDLE:

- Loosen, but do not remove, the clamp knob (Fig. 3)
- Rotate the side handle mounting assembly to the desired position. For drilling horizontally with a heavy drill bit, place the side handle assembly at an angle of approximately 20° for optimum control.
- Lock the side handle in place by fully tightening the clamp knob.

#### Bit Installation (Fig.4)

1. Clean, then smear the bit shank with grease.
2. Fully insert the bit shank into the hammer. Be sure the notch on the bit is toward the bottom of the tool, as shown in Figure 4. **NOTE:** If you cannot fully insert a bit, press and turn the retainer button one rotation, until it clicks. This will unlock the bit lock and allow you to fully insert the bit.
3. Push in the retainer button and turn it 180° until it clicks into place. Ensure the bit is locked before using the tool. **NOTE:** The bit will move slightly, even when locked.

To remove the bit, push in the retainer button and turn it until it clicks. This