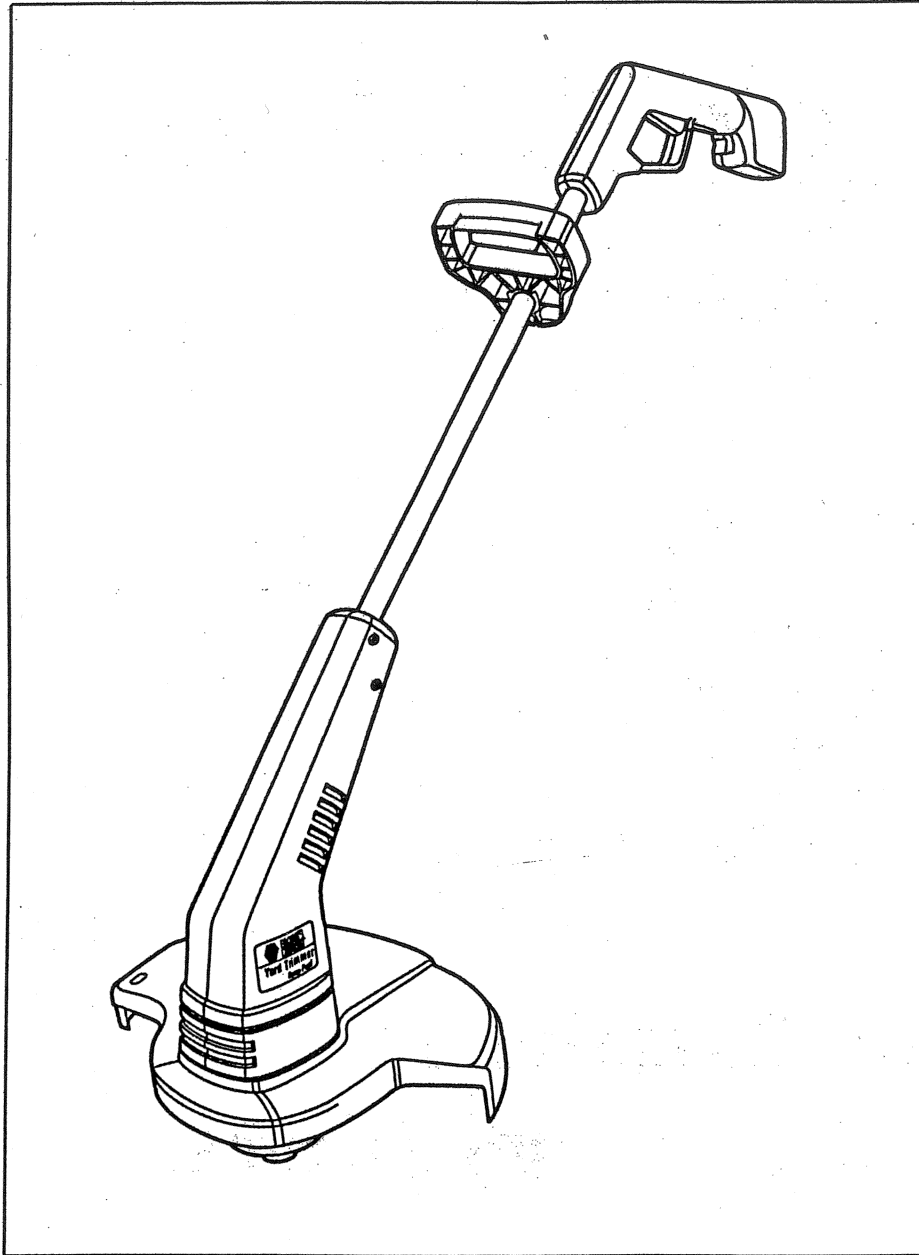




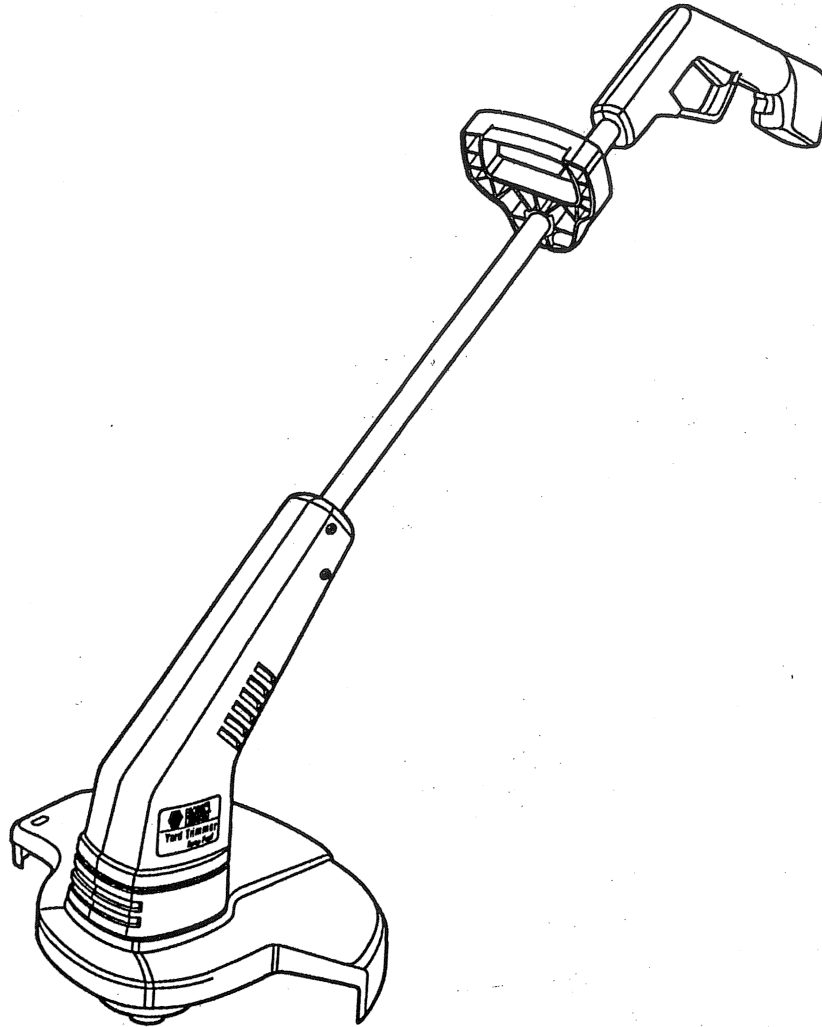
**BLACK&DECKER®**



# **Instruction Manual**

**Bump Feed Yard Trimmers**

**82310-04/82312-04**



## Thanks for Selecting a Black & Decker Yard Trimmer.

Thank you for buying a Black & Decker electric nylon line yard trimmer. High-speed nylon line cuts a wide swath quickly, cleanly to trim grass and weeds along fences, walls, walks, around rocks and trees. It has an instant release safety switch. The

built-in cut-off automatically trims excess line to proper cutting length.

Read contents of this manual carefully. Become thoroughly familiar with the yard trimmer. It is important to read the Safety Instructions found on page 3.



## Important Safety Instructions

**WARNING:** When using Electric Tools, basic safety precautions should always be followed to reduce the risk of fire, electric shock, and personal injury, including the following:

### READ ALL INSTRUCTIONS

1. **SAFETY SPECTACLES OR GOGGLES** — Wear at all times when trimming.
2. **GUARD** — Do not use trimmer without guard attached.
3. **NYLON LINE** — Keep face, hands and feet clear of rotating nylon line at all times. Do not extend beyond length specified in this manual. Wear long pants to protect your legs.
4. **KEEP ALL BY-STANDERS AWAY** — at a safe distance from work area, especially children.
5. **AVOID ACCIDENTAL STARTING** — don't carry plugged-in tool with finger on trigger.
6. **DO NOT FORCE THE TOOL** — at a rate faster than the rate at which it is able to cut effectively.
7. **USE THE RIGHT TOOL** — Do not use this tool for any job except that for which it is intended.
8. **DON'T OVERREACH** — Keep proper footing and balance at all times.
9. **WARNING** — To prevent electric shock hazard, use only with an extension cord suitable for outdoor use. Always connect extension cords to a fused line or one protected by a circuit breaker.
10. **DON'T ABUSE CORD** — Don't yank cord from receptacle. Keep cord from heat, oil and sharp edges.
11. **EXTENSION CORDS** — to prevent disconnection of extension cords during operation, use extension cord holder as described in this manual.
12. **DAMAGE TO UNIT** — If you strike or become entangled with a foreign object, stop trimmer immediately, unplug, check for damage and have any damage repaired before further operation is attempted. Do not operate with a broken hub or spool.
13. **DAMAGE TO CORD** — Keep power cord away from rotating line. If you damage the extension cord, unplug it at the electrical outlet before moving the trimmer or examining the damage. If there is damage to the extension cord, replace cord before further use.
14. **DISCONNECT TOOL** — When not in use, when replacing line, or prior to cleaning hub.
15. **DRESS PROPERLY** — Don't operate the tool when barefoot or wearing open sandals. Always wear substantial footwear. Use of rubber gloves and substantial rubber soled footwear is recommended when working outdoors.
16. **AVOID DANGEROUS ENVIRONMENTAL CONDITIONS** — Do not use electrical tools in damp or wet locations. Follow all instructions in this Instruction Manual for proper operation of your Trimmer.
17. **DO NOT USE THE STRING TRIMMER IN THE RAIN.**
18. **DO NOT OPERATE** portable electric tools in gaseous or explosive atmospheres. Motors in these tools normally spark, and the sparks might ignite fumes.
19. **STORE IDLE TOOLS INDOORS** — When not in use, tools should be stored indoors in dry, locked-up places — out of reach of children.
20. **THE ROTATING LINE PERFORMS A CUTTING FUNCTION** — Use care when trimming around screens and desirable plantings.

**SAVE THESE INSTRUCTIONS**

## Double Insulation

### An Important Consumer Feature

Your tool is DOUBLE INSULATED to give you added safety. This means that it is constructed throughout with TWO separate "layers" of electrical insulation or one DOUBLE thickness of insulation between you and the tool's electrical system.

Tools built with this insulation system are not intended to be grounded. As a result, the extension cord used with your tool can be plugged into any conventional 120 Volt electrical outlet without concern for maintaining a ground connection.

**NOTE:** DOUBLE INSULATION does not take the place of normal safety precautions when operating this tool. The insulation system is for added protection against injury resulting from a possible electrical insulation failure within the tool.

**CAUTION:** When servicing Double Insulated Tools, **USE ONLY IDENTICAL REPLACEMENT PARTS.** Replace or repair damaged cords.

## EXTENSION CORDS

Double-insulated tools have 2-wire cords, and can be used with 2-wire or 3-wire extension cords. Only round-jacketed extension cords should be used. If the extension will be used outside, the cord must be suitable for outdoor use. Any cord marked as outdoor can also be used for indoor work. (The letter "W" on the cord jacket indicates that the cord is suitable for outdoor use.)

An extension cord must have adequate wire size (AWG or American Wire Gauge) for safety, and to prevent loss of power and overheating. The smaller the gauge number of the wire, the greater the capacity of the cable, that is 14 gauge has more capacity than 16 gauge. When using more than one extension to make up the total length, be sure

each individual extension contains at least the minimum wire size.

To determine the minimum wire size required, refer to the chart below:

CHART FOR MINIMUM WIRE SIZE (AWG) OF EXTENSION CORDS

EXTENSION CORD LENGTH—METRES RATING-AMPS	NAMEPLATE TOTAL					
	10	15	20	30	35	45 50 60
0-10.0	18	18	16	16	14	14 12 12
10.1-13.0	16	16	14	14	14	12 12 12
13.1-15.0	14	14	12	12	12	12 12 —

Before using an extension cord, inspect it for loose or exposed wires, damaged insulation, and defective fittings. Make any needed repairs or replace the cord if necessary. Black & Decker has extension cords available that are CSA Certified for outdoor use.

\*If the input rating of a Tool is given in watts rather than in amperes, the corresponding ampere rating is to be determined by dividing the wattage rating by the voltage rating — for example:

$$\frac{1250 \text{ watts}}{125 \text{ volts}} = 10 \text{ amperes}$$

### Assembly

Remove trimmer from carton and examine it thoroughly to make sure it is not damaged.

### GUARD INSTALLATION: (UNPLUG TRIMMER)

## CAUTION

The guard has a blade on it to trim the cutting line. Use caution when handling.

1. Examine the plastic guard and identify the two flanges shown in Figure 1.

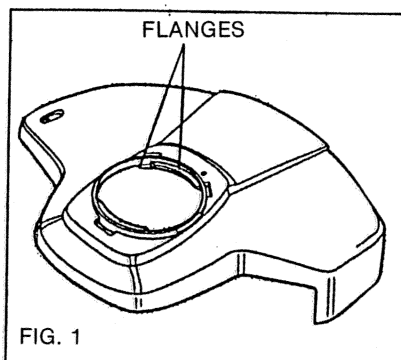


FIG. 1

2. With the guard positioned as shown in Figure 2 (the large portion of the guard on the side of the trimmer that has the "YARD TRIMMER" label) place the flanges on the guard into the slots in the motor housing. Study Figures 2 & 3 carefully in order to perform this step correctly.

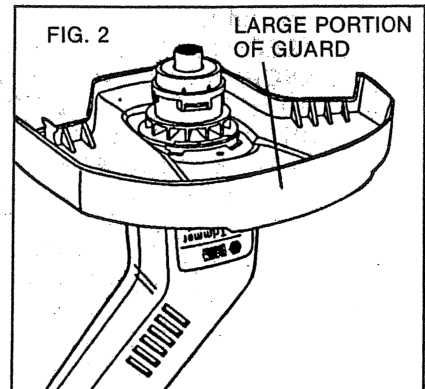


FIG. 2

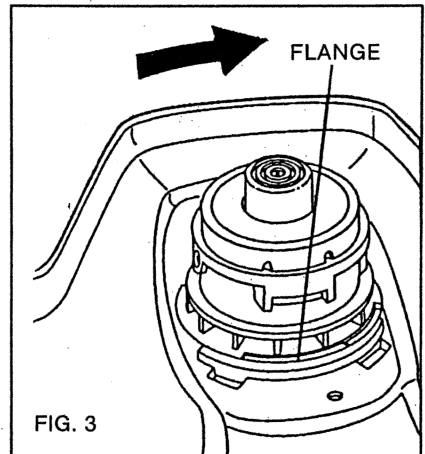
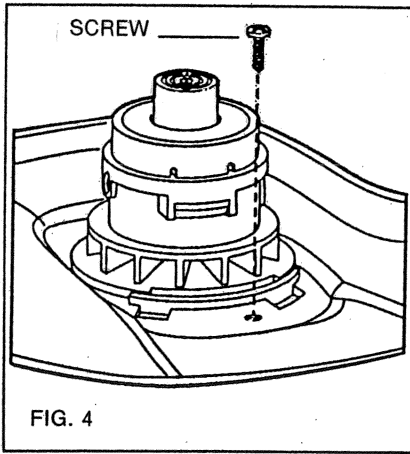


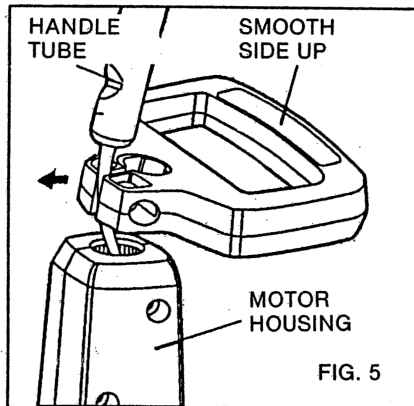
FIG. 3

3. With the guard flanges in place, rotate the guard clockwise, as viewed in Figure 3, until it stops and the hole in the guard aligns with the hole in the bottom of the motor housing.
4. Use the small, coarse threaded screw in the plastic bag to secure the guard through these two aligned holes, as shown in Figure 4. Tighten firmly.

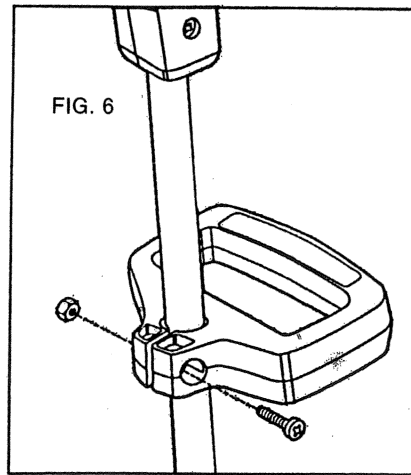


**AUXILIARY HANDLE INSTALLATION:  
(UNPLUG TRIMMER)**

1. Slip the open end of the auxiliary handle over the wires leading from the handle tube into the motor housing, as shown in Figure 5. Make sure that the smooth side is up (away from the ground) as shown in the figure.

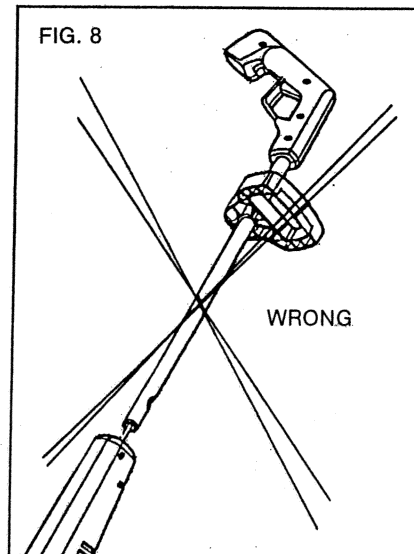
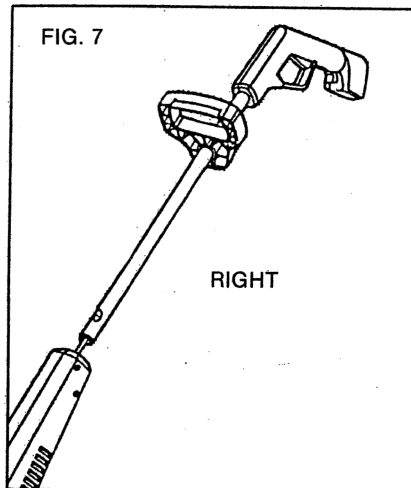


2. Slide the handle up the handle tube to a point about 15 cm (6 inches) below the plastic switch handle.
3. Select, from the plastic bag, the short screw and the larger of the three hex nuts. Insert the hex nut into the hex shaped recess in the handle, as shown in Figure 6. Insert the screw into the right side of the handle and tighten it into the hex nut. **NOTE:** the auxiliary handle can be readjusted as necessary by loosening the screw and repositioning the handle. Tighten the screw firmly to hold the handle in position.

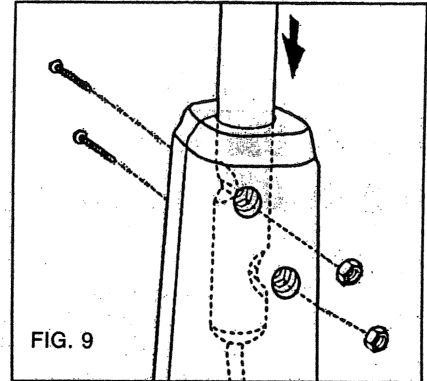


**HANDLE TUBE TO MOTOR HOUSING ASSEMBLY:  
(UNPLUG TRIMMER)**

1. Align the switch handle with the motor housing, as shown in Figure 7, making sure that you avoid the alignment shown in Figure 8.



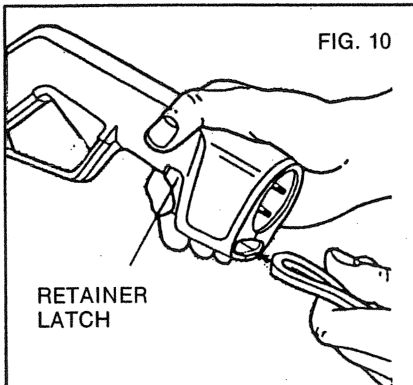
2. Insert the handle tube into the motor housing, as shown in Figure 9 and push it in far enough so that the two flattened sections of the handle tube align with the two holes in the motor housing.



3. Taking care to avoid pinching the wires, insert the two remaining hex nuts from the plastic bag into the hex shaped recessed in the motor housing. Insert the two remaining screws into the other side of the motor housing and tighten them firmly into the hex nuts.

**EXTENSION CORD RETAINER:  
(UNPLUG TRIMMER)**

An extension cord retainer is built into the switch handle that prevents the extension cord from pulling out of the handle. To use the retainer, simply double the extension cord, as shown in Figure 10, about a foot from the female end. Depress the retainer latch, shown in the figure, and insert the cord as far as it will go. Holding the cord in place, release the retainer latch and the cord will be securely held. To remove the cord, simply depress the retainer latch and pull the cord out.



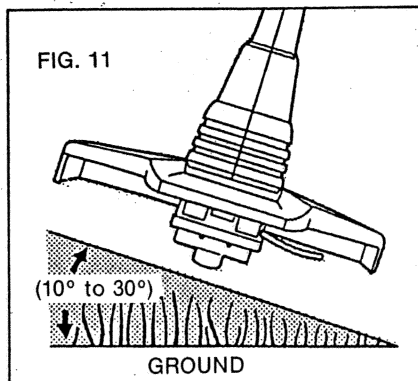
## How To Use Your Black & Decker Yard Trimmer

The yard trimmer will cut grass and small weeds in difficult and hard-to-reach places. Proper trimming technique is essential to obtain the maximum in performance and handling ease. As you learn the trimming techniques listed below, you will be able to cut areas around trees, shrubs, foundation walls, along fences, sidewalks, patios, etc., with minimal line wear or line breakage.

**CAUTION:** Inspect area to be trimmed for any wire, cord, or string-like matter which could become entangled in the rotating line or spool. Be particularly careful to avoid any wire which might be bent outwardly into the path of the tool, such as barbs at the base of a chain link fence.

### STEP 1

Tilt trimmer at a slight angle from the ground (Figure 11 and Figure 12).

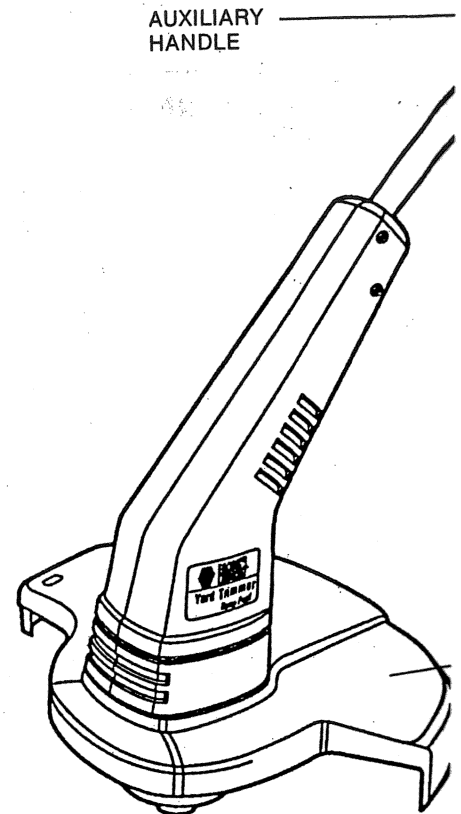
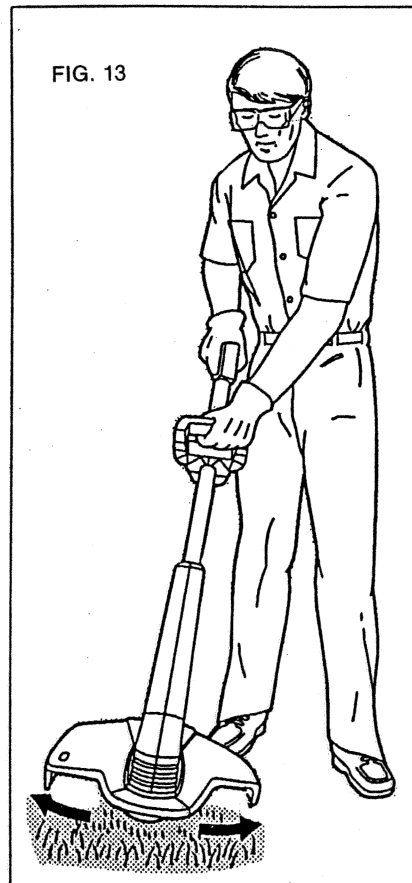
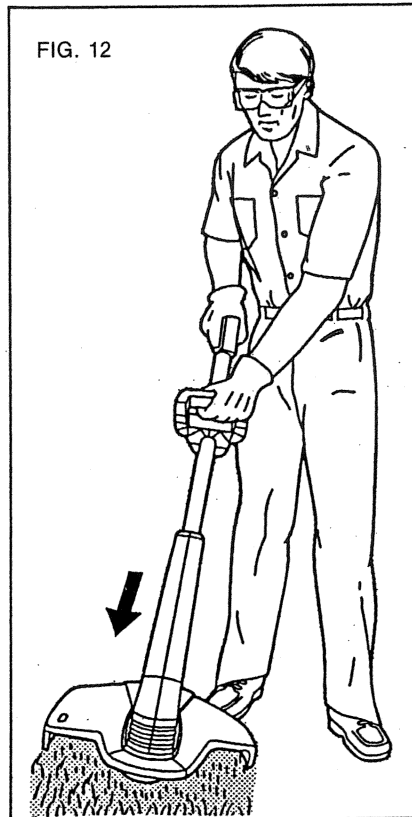


### STEP 2

**LOWER** to grass or weeds you intend to cut. (If they are over 20cm (8 inches) high, start cutting at top.)

### STEP 3

Slowly swing unit into and out of area being cut, holding the unit at desired cutting height as indicated (Figure 13).



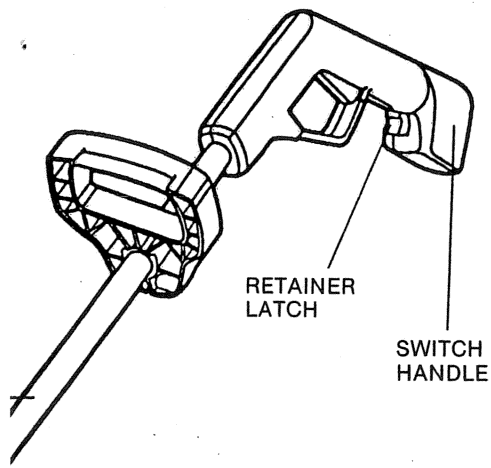
**IMPORTANT** for the best cutting action against walls, fences and in high grass, move trimmer slowly so grass is cut **WITH THE TIP** of the high speed nylon line.

Clean air intake slots at top of motor housing after each usage.

## Trimming Technique and Performance

### Notes

1. Angle unit slightly ( $10^{\circ}$  to  $30^{\circ}$ ) with reference to area being cut (Figure 11 and Figure 12).



GUARD

2. **Slowly swing in and out of area being cut**, maintaining unit at desired cutting height, using a side-to-side motion as indicated (Figure 13). Avoid running trimmer with hub in contact with ground.
3. **Do not force the unit** — Allow the very tip of the nylon line to do the cutting. (**ESPECIALLY ALONG WALLS**).
4. **Grass in excess of 20 cm (8 inches) tall or heavy weeds** should be cut by working from the top to the bottom in small increments to avoid string entanglement or breakage.

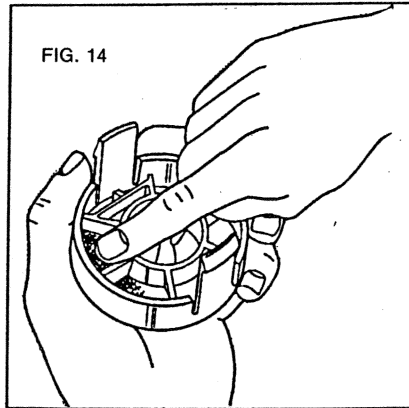
5. **Trim only when grass and weeds are dry.**
6. The life of your nylon line is dependent upon following the above trimming techniques, as well as what is being cut, and where the cutting is being done.

**EXAMPLE:** Line will wear faster when run against a foundation wall as compared to trimming around a tree. Some line breakage will occur from feeding unit too fast, from entanglement with foreign matter, from normal line fatigue, and from attempting to cut thick, stalky weeds in excess of unit's capability.

**NOTE:** As the weather becomes cooler, the tendency for the nylon line to break becomes greater. **DO NOT USE UNIT WHEN TEMPERATURE IS BELOW 10°C (50°F)**

7. For best performance, as the line wears, lengthen as indicated in Line Lengthening procedure.
8. **Periodically remove the accumulation of grass or cutting debris** from the inside of the bump cap shroud as shown in figure 14. (See Figure 15).

FIG. 14



## Mowing

The Trimmer can be used to mow areas that are difficult to reach with your lawn mower.

## Edging

You can use the Trimmer to edge grass neatly along walks, driveways, curbs, etc.

**CAUTION:** Edging increases the risk of injury that may be caused by flying debris. Keep bystanders at a safe distance and do not tilt the unit beyond the 30° angle shown in figure 11.

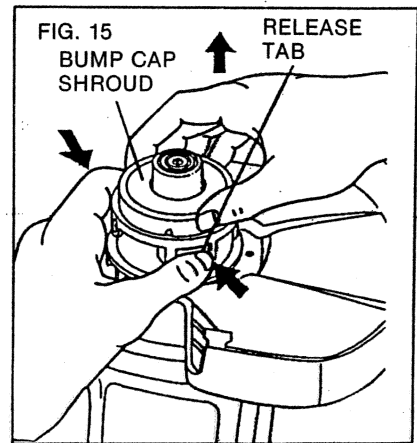
## Line Feeding Procedure

In order to feed a length of cutting line, strike the bump cap on the lawn while the trimmer is running. This will automatically feed a new length of line and trim it to the correct length. A firm but gentle motion should be used to strike the bump cap. The unit should be angled slightly forward to prevent the guard from contacting the ground. This process may be repeated as often as necessary. If unit fails to feed, clean out the bump cap (See Fig. 14).

## Spool Replacement and Recovery of Line Broken Off Inside Spool

1. Unplug extension cord at trimmer handle.
2. Remove the bump cap shroud by pulling up while depressing the two release tabs on the sides of the hub at the points shown in Figure 15.

FIG. 15  
BUMP CAP SHROUD  
RELEASE TAB

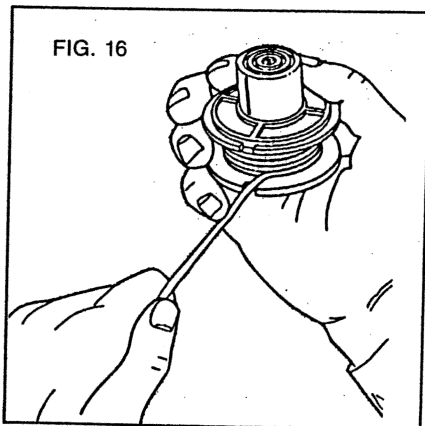


**NOTE:** It may be necessary to pull up on the shroud while depressing the release tabs one side at a time.

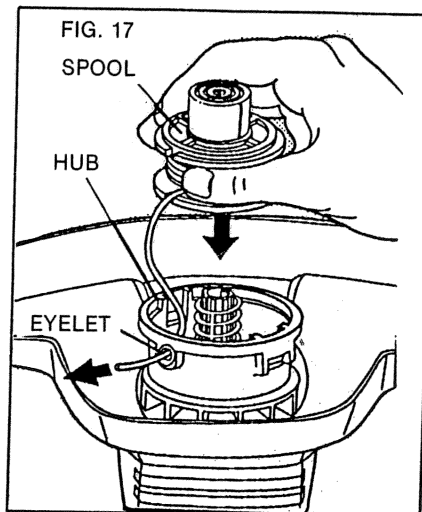
3. Insert a flat bladed screwdriver into either of the slots where the release tabs had been and gently pry the spool up and out of the hub.

**NOTE:** The cutting line is quite springy and can be awkward to handle.

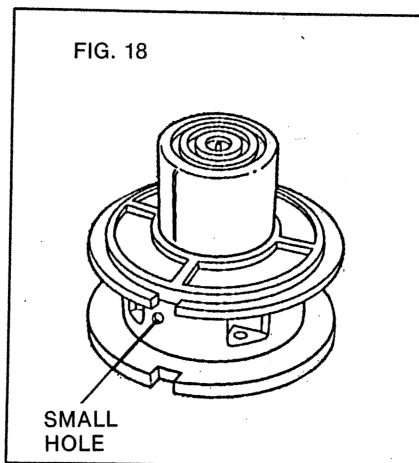
4. Remove any broken cutting line, wrap the remaining line tight and reinsert spool into hub as follows.
  - a. Wind the line tight enough so that it is all below the edge of the flanges on the spool. If it extends past the flanges, it won't fit into the hub.
  - b. Place the loose end of the cutting line through the gap in the spool flange as shown in Figure 16. (Either gap will do but try to leave yourself 8 to 10 centimetres (3 to 4 inches) of line to work with as shown in the figure.)



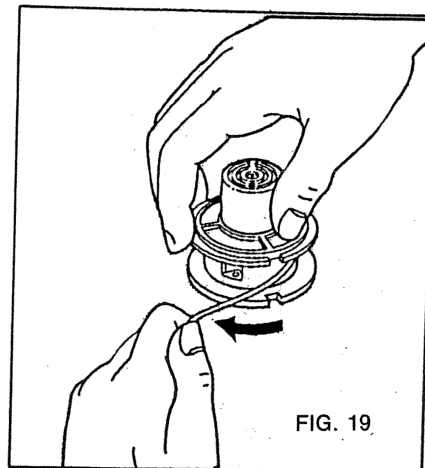
- c. Holding the line in the gap, insert the end through the eyelet in the hub and slip the spool into the hub, as shown in Figure 17. If the spool does not slip into the hub easily, press gently and pull straight out on the cutting line that protrudes through the eyelet.



5. Once the spool drops into the hub, align the release tabs on the shroud with the slots in the hub and press the shroud into place. Be sure that both release tabs snap into place.
6. To replace all of the line on a spool, follow the steps below.
  - a. Locate, on the empty spool, one of the two small holes shown in Figure 18.



- b. Insert the end of the line into the hole and begin winding the line around the spool, as shown in Figure 19. Be sure to wind the line in the direction of the arrow in Figure 19.
  - c. Perform steps 4 and 5 above.



## Maintenance (Unplug Tool!)

### MAINTAIN TOOL WITH CARE

1. Keep the air intake slots clean to avoid overheating which will damage trimmer. For this cleaning, use a dry brush or cloth to remove grass, sap or other debris.
2. Plastic parts may be cleaned by using a mild soap and a rag dampened with hot water. Avoid all other types of detergents, cleaners or solvents which might contain chemicals that could seriously damage the plastic. Do not spray the Trimmer with water.
3. Self lubricating bearings are used in the tool and periodic relubrication is not required. However, it is recommended that after two or three seasons of use, you take or send the trimmer to one of our service locations (see TOOLS, ELECTRIC in Yellow Pages) for a thorough cleaning, inspection and relubrication. If the tool is being used professionally, the above should be accomplished after each trimming season.



4. If Trimmer fails to operate, disconnect extension cord from power source first, then from Trimmer. Make sure extension cord is undamaged and that house fuses are not blown or circuit breakers tripped. If Trimmer fails to operate, take or send it to your local B&D Service Center for repair. Do not attempt to repair it yourself.
5. **IMPORTANT:** To assure product SAFETY and RELIABILITY, repairs, maintenance and adjustment (other than included in this manual) should be performed by Black & Decker Service Centers or other qualified service organizations, always using Black & Decker replacement parts. When servicing Double-Insulated Tools, use ONLY IDENTICAL REPLACEMENT PARTS.

## Accessories

Use only specially-treated Black & Decker Nylon Line with your Grass Trimmer. This is available from your B&D dealer as follows:

Cat. No. 82-136-04 Replacement Spool with 6 metres (20 feet) of Nylon Line.

Cat. No. 82-360-04 Bulk Spool with 15 metres (50 feet) of Nylon Line.

**CAUTION:** Use only the above accessories with your Yard Trimmer. The use of any other attachment or accessory might be hazardous. Use only specially treated 1.65 mm (.065 in.) diameter Black & Decker Monofilament Nylon Line with your Yard Trimmer.

**NOTE:** Always include date code numbers on all correspondence. This 4 or 5 digit number is stamped into the motor housing.

## RAPID EXCHANGE HOME USE WARRANTY

Black & Decker warrants this product for two years against defect in material and workmanship in normal residential use. This warranty does not cover damage resulting from negligent handling, misuse or lack of reasonable care. Please return the complete unit, transportation prepaid, to the seller for free replacement if the seller is a participating retailer in the Black & Decker rapid exchange program. (Proof of purchase may be required by the seller.) The unit may also be returned to a Black & Decker service centre or authorized service station for free replacement or repair at our option. This warranty does not apply to accessories.

In returning the tool for replacement, all original standard equipment must also be returned (for example, chuck, chuck key, auxiliary handles, circular saw blades). Expendable original equipment such as sanding sheets, belts and discs and jig saw blades need not be returned. For kits and assortments only the basic power tool will be replaced.

The sole remedy for breach of this warranty and the sole obligation of Black & Decker hereunder is the repair or replacement of the defective product at Black & Decker's option. Black & Decker shall have no liability whatsoever at any time for any personal injury or property damages or for any special, indirect or consequential damages of any kind howsoever arising.

This warranty is strictly limited to its terms and is in lieu of any kind and all other warranties and conditions, written or oral, whether express or implied.

**Note:** This warranty and related provisions set out above may not be applicable in certain provinces.

Black & Decker Canada Inc., Brockville, Ontario K7A 5V6