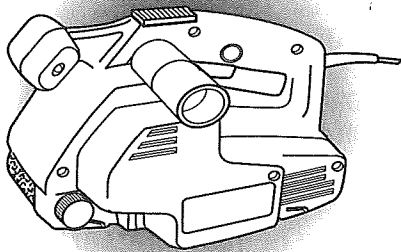


BLACK&DECKER®



**3" X 21" VARIABLE SPEED
BELT SANDER**

*VEA EL ESPAÑOL EN LA
CONTRAPORTADA.*

*POUR LE FRANÇAIS, VOIR LA
COUVERTURE ARRIÈRE.*

BD5500

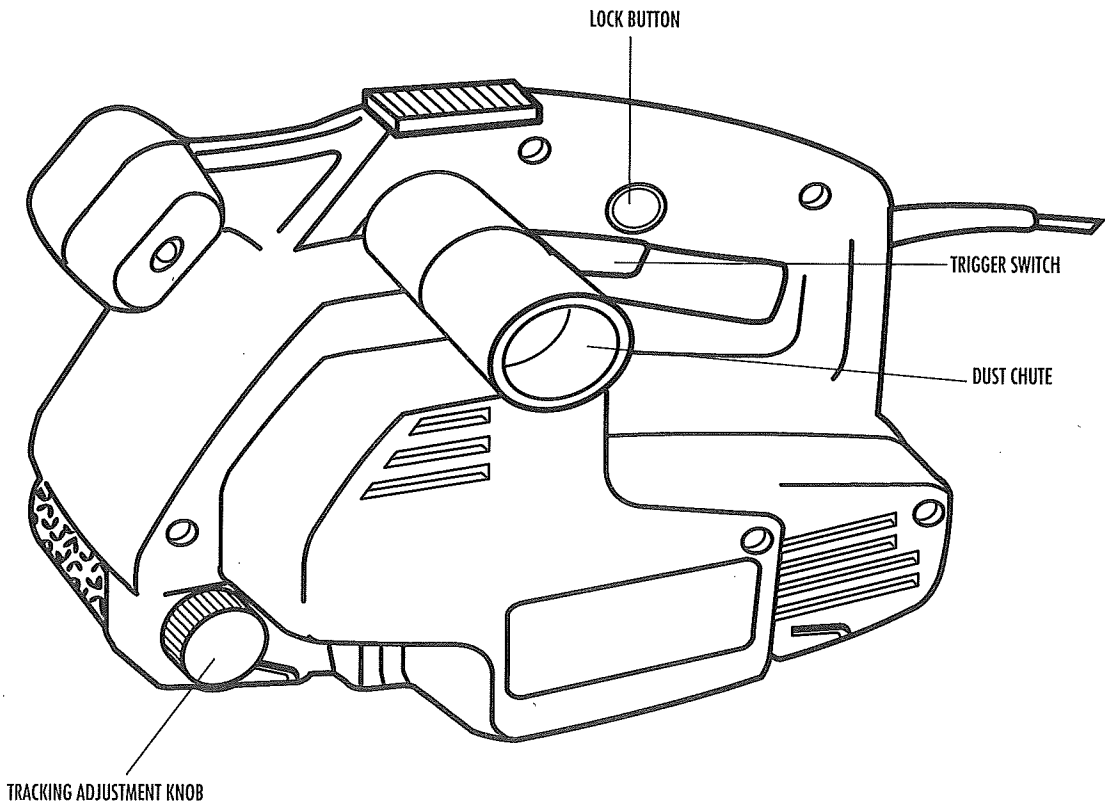
INSTRUCTION MANUAL

WARNING: FOR SAFE OPERATION
READ INSTRUCTION MANUAL.
IF YOU HAVE ANY QUESTIONS,
CALL US TOLL FREE:

1-800-762-6672

KEY INFORMATION YOU SHOULD KNOW

- Sanding belt must be tracked properly—see page 4 for details.
- See page 4 for instructions on how to install belt.
- Not for use on drywall.



Important Safety Instructions

WARNING: When using electric tools, basic safety precautions should always be followed to reduce risk of fire, electric shock, and personal injury, including the following:

READ ALL INSTRUCTIONS

Double Insulation

Double insulated tools are constructed throughout with two separate layers of electrical insulation or one double thickness of insulation between you and the tool's electrical system. Tools built with this insulation system are not intended to be grounded. As a result, your tool is equipped with a two prong plug which permits you to use extension cords without concern for maintaining a ground connection.

NOTE: Double insulation does not take the place of normal safety precautions when operating this tool. The insulation system is for added protection against injury resulting from a possible electrical insulation failure within the tool.

CAUTION: WHEN SERVICING USE ONLY IDENTICAL REPLACEMENT PARTS. Repair or replace damaged cords.

Polarized Plugs

Polarized plugs (one blade is wider than the other) are used on equipment to reduce the risk of electric shock. When provided, this plug will fit into a polarized outlet only one way. If the plug does not fit fully into the outlet, reverse the plug. If it still does not fit, contact a qualified electrician to install the proper outlet. Do not change the plug in any way.

Safety Instructions For All Tools

- **KEEP WORK AREA CLEAN.** Cluttered areas and benches invite injuries.
- **CONSIDER WORK AREA ENVIRONMENT.** Don't expose power tools to rain. Don't use power tools in damp or wet locations. Keep work area well lit. Do not use tool in presence of flammable liquids or gases.
- **GUARD AGAINST ELECTRIC SHOCK.** Prevent body contact with grounded surfaces. For example; pipes, radiators, ranges, and refrigerator enclosures.
- **KEEP CHILDREN AWAY.** Do not let visitors contact tool or extension cord. All visitors should be kept away from work area.
- **STORE IDLE TOOLS.** When not in use, tools should be stored in dry, and high or locked-up place — out of reach of children.
- **DON'T FORCE TOOL.** It will do the job better and safer at the rate for which it was intended.
- **USE RIGHT TOOL.** Don't force small tool or attachment to do the job of a heavy-duty tool. Don't use tool for purpose not intended.
- **DRESS PROPERLY.** Do not wear loose clothing or jewelry. They can be caught in moving parts. Rubber gloves and non-skid footwear are recommended when working outdoors. Wear protective hair covering to contain long hair.
- **USE SAFETY GLASSES.** Also use face or dust mask if operation is dusty.
- **DON'T ABUSE CORD.** Never carry tool by cord or yank it to disconnect from receptacle. Keep cord from heat, oil, and sharp edges.
- **SECURE WORK.** Use clamps or a vise to hold work. It's safer than using your hand and it frees both hands to operate tool.
- **DON'T OVERREACH.** Keep proper footing and balance at all times.
- **MAINTAIN TOOLS WITH CARE.** Keep tools sharp and clean for better and safer performance. Follow instructions for lubricating and

changing accessories. Inspect tool cords periodically and if damaged, have repaired by authorized service facility. Inspect extension cords periodically and replace if damaged. Keep handles dry, clean, and free from oil and grease.

- **DISCONNECT OR LOCK OFF TOOLS** when not in use, before servicing, and when changing accessories, such as blades, bits, cutters.
- **REMOVE ADJUSTING KEYS AND WRENCHES.** Form habit of checking to see that keys and adjusting wrenches are removed from tool before turning it on.
- **AVOID UNINTENTIONAL STARTING.** Don't carry tool with finger on switch. Be sure switch is off when plugging in.
- **EXTENSION CORDS.** Make sure your extension cord is in good condition. When using an extension cord, be sure to use one heavy enough to carry the current your product will draw. An undersized cord will cause a drop in line voltage resulting in loss of power and overheating. The following table shows the correct size to use depending on cord length and nameplate ampere rating. If in doubt, use the next heavier gage. The smaller the gage number, the heavier the cord.

Minimum Gage for Cord Sets						
Volts		Total Length of Cord in Feet				
120V		0-25	26-50	51-100	101-150	
240V		0-50	51-100	101-200	201-300	
Ampere Rating		AWG				
More Than	Not more Than					
0	-	6	18	16	16	14
6	-	10	18	16	14	12
10	-	12	16	16	14	12
12	-	16	14	12	Not Recommended	

- **OUTDOOR USE EXTENSION CORDS.** When tool is used outdoors, use only extension cords intended for use outdoors and so marked.

- **STAY ALERT.** Watch what you are doing. Use common sense. Do not operate tool when you are tired.
- **CHECK DAMAGED PARTS.** Before further use of the tool, a guard or other part that is damaged should be carefully checked to determine that it will operate properly and perform its intended function. Check for alignment of moving parts, binding of moving parts, breakage of parts, mounting, and any other conditions that may affect its operation. A guard or other part that is damaged should be properly repaired or replaced by an authorized service center unless otherwise indicated elsewhere in this instruction manual. Have defective switches replaced by authorized service center. Do not use tool if switch does not turn it on and off.

Additional Safety Instructions for Sanders

- **ALWAYS WEAR EYE PROTECTION.**
- Clean your tool out periodically.
- **CAUTION:** Some wood contains preservatives such as copper chromium arsenate (CCA) which can be toxic. When sanding these materials extra care should be taken to avoid inhalation and minimize skin contact.

SAVE THESE INSTRUCTIONS

Motor

Be sure your power supply agrees with nameplate marking.

120 volts AC means your tool may be operated only with alternating current and **never** with direct current.

Voltage decrease of more than 10% will cause loss of power and overheating. All tools are factory tested; if this tool does not operate, check the power supply.

Feature/Benefit

DUST COLLECTION SYSTEM. Automatically collects debris for a cleaner work environment.

VARIABLE SPEED 600–950 fpm (feet per minute). For various sanding applications.

BELT TRACKING ADJUSTMENT KNOB. Enables quick and easy adjustments to maintain belt alignment.

BELT TENSION RELEASE LEVER. Provides quick belt changes.

BALL BEARING CONSTRUCTION. For durability and longer life.

WELL-BALANCED DESIGN. Provides uniform finishing results.

LOCK-ON BUTTON. For continuous use.

Specifications

POWER: 5.2 Amps, 120 volts AC only

SPEED: 600–950 fpm

CORDSET: 6 feet

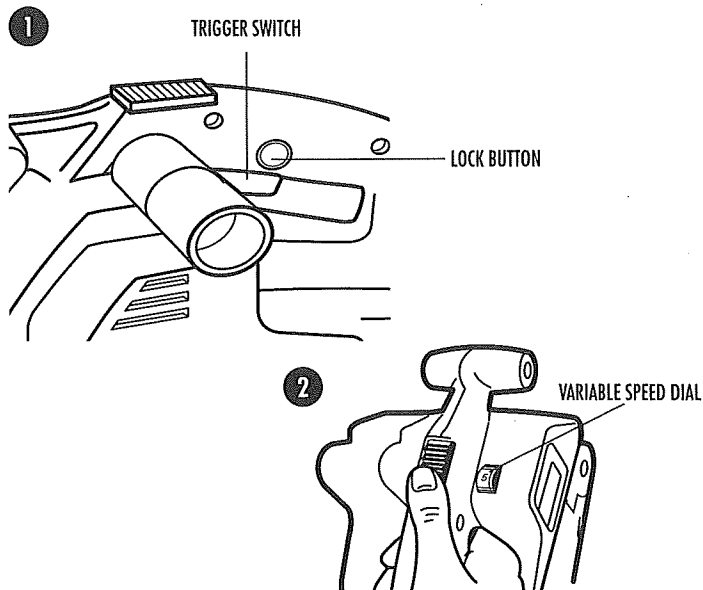
STANDARD EQUIPMENT:

Sanding Belt (3"x 21")

Dust Collection Bag

Switch

Your sander is equipped with a variable speed switch for greater versatility. To turn the tool "ON", squeeze the trigger shown in Figure 1. To adjust speed from 600 fpm (setting one) to 950 fpm (setting Max.) rotate the variable speed control dial shown in Figure 2. To turn the tool "OFF", release the trigger switch.



Variable Speed Application

Material	Speed Setting
Solid Wood Removal	5 — Max
Solid Wood Finish	4 — 6
Veneer	1 — 4
Chipboard	5 — Max
Plastic	4 — 6
Metal	3 — 5
Paint Removal	2 — 5

To run the tool continuously, turn it "ON" and hold the trigger while you depress the lock button in the side of the handle adjacent to the trigger. Hold the lock button in while you gently release the trigger. To turn the sander "OFF" from a locked "ON" position, squeeze and release the trigger once. When storing the tool, ensure that you release the trigger lock. If it remains locked on, the tool will start immediately the next time it's plugged in.

Changing the Sanding Belt

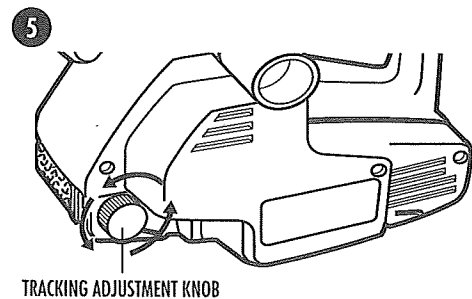
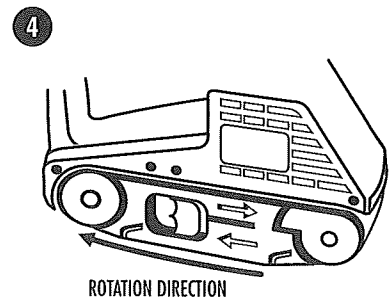
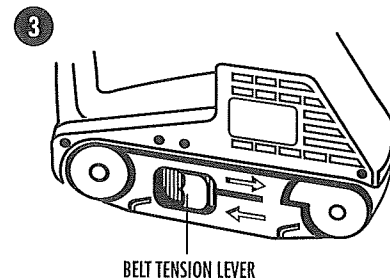
1. TURN OFF AND UNPLUG THE SANDER.
2. Release the belt tensioning lever on the right side of the tool, as shown in Figure 3, by pulling it out and pushing forward.
3. Slip the belt off of the sander and install the new one so that the arrow or arrows on the inside of the belt point in the correct direction of rotation as shown in Figure 4. CAUTION: Sanding belt installed backwards can create a hazardous condition.
4. Push the belt tensioning lever back into position.
5. The sander is now ready to go to work.

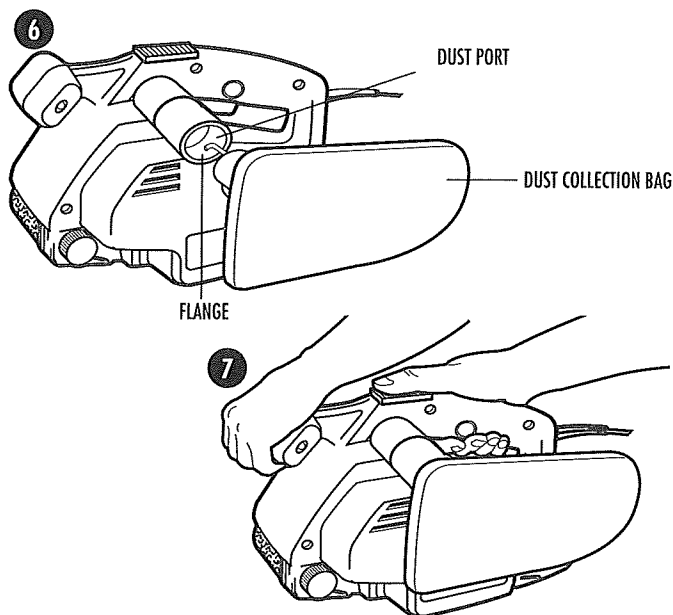
Belt Tracking Procedure

ADJUST BELT TRACKING AS FOLLOWS:

Turn the tool on and observe the tracking of the sanding belt. A properly tracking belt rides even with the outer edge of the platen. (The platen is the flat metal plate that covers the bottom of the sander.) If the belt on your sander is not tracking evenly with the outer edge of the sander platen, adjust it by turning the Tracking Adjustment Knob shown in Figure 5. Turn the knob clockwise to move it to the right as viewed in Figure 5, and counter clockwise to move it to the left.

Check the tracking of the sanding belt periodically as you operate the tool. Readjust whenever the sanding belt is not even with the outer edge of the platen.





Dust Collection

Your sander is designed for dust collection. To collect dust, install the dust collection bag included with your sander. Insert the plastic adaptor from the bag into the dust port of the tool, as shown in Figure 6. Rotate the bag so that the wire hook protruding from the adaptor contacts the flange inside the dust port. Push the bag firmly into the dust port to assure a secure fit. Empty the bag often (at about 1/2 full). A clean or near-empty bag is much more efficient at collecting dust than a dirty or full one. You may also insert a standard wet/dry vacuum hose to collect dust.

Operation

1. Wear eye protection.
2. Keep fingers and clothing away from sanding belt.
3. Do not attempt to dislodge dust from belt by slapping running belt.

Grasp the sander with both hands as shown in Figure 7. Turn the tool on before contacting the work surface. Let the sander reach desired speed and then advance it to the wood with a slight forward motion. Make smooth even strokes in a forward and back motion (not side to side) going over the surface several times as necessary until the desired finish is attained. Always sand either with the grain or diagonally to it. Your sander has been carefully engineered to be the correct weight for proper sanding. Don't apply downward force in an attempt to increase the removal rate.

Higher removal rates can be achieved by using fresh, coarser sanding belts. For rough surfaces, start with a coarse belt until the surface is uniform. Change to a medium grit belt and repeat until the surface is uniform but a little smoother than before. Keep changing belts (always decreasing the coarseness) until you are using the finest grit available. If an even smoother finish is desired, use a Black & Decker Finishing Sander or Random Orbit Sander. **HINT:** A trick used by some craftsmen is to use an old, used fine grit sanding belt as a super fine finishing belt. This usually gives a finish close to that of a finishing sander, but extra caution is required to prevent marring the surface. Some painted surfaces having several coats of paint will quickly clog the sanding belt. If you encounter such a surface and reducing the speed doesn't help, a Black & Decker Heat Gun (available at your local Black & Decker Dealer at extra cost) will be more economical than repeated belt changings.

Precautions When Sanding Paint

Sanding of lead based paint is **NOT RECOMMENDED** due to the difficulty of controlling the contaminated dust. The greatest danger of lead poisoning is to children and pregnant women.

Since it is difficult to identify whether or not a paint contains lead without a chemical analysis, we recommend the following precautions when sanding any paint:

A. PERSONAL SAFETY

1. No children or pregnant women should enter the work area where the paint sanding is being done until all clean up is completed.
2. A dust mask or respirator should be worn by all persons entering the work area. The filter should be replaced daily or whenever the wearer has difficulty breathing.

NOTE: Only those dust masks suitable for working with lead paint dust and fumes should be used. Ordinary painting masks do not offer this protection. See your local hardware dealer for the proper (NIOSH approved) mask.

3. **NO EATING, DRINKING or SMOKING** should be done in the work area to prevent ingesting contaminated paint particles. Workers should wash and clean up **BEFORE** eating, drinking or smoking. Articles of food, drink, or smoking should not be left in the work area where dust would settle on them.

B. ENVIRONMENTAL SAFETY

1. Paint should be removed in such a manner as to minimize the amount of dust generated.
2. Areas where paint removal is occurring should be sealed with plastic sheeting of 4 mils thickness.
3. Sanding should be done in a manner to reduce tracking of paint dust outside the work area.

C. CLEANING AND DISPOSAL

1. All surfaces in the work area should be vacuumed and thoroughly cleaned daily for the duration of the sanding project. Vacuum filter bags should be changed frequently.
2. Plastic drop cloths should be gathered up and disposed of along with any dust chips or other removal debris. They should be placed in sealed refuse receptacles and disposed of through regular trash pick-up procedures. During clean up, children and pregnant women should be kept away from the immediate work area.
3. All toys, washable furniture and utensils used by children should be washed thoroughly before being used again.

Project Tips

1. Always sand with the grain when using a belt sander.
2. For quickest **ROUGH** stock removal sand with a belt sander at a 15° angle to the wood grain.
3. Use long, elliptical strokes when sanding with a belt sander.
4. Use a sanding frame with your belt sander to reduce the possibility of gouging the workpiece.
5. When using an inversion stand, feed the material perpendicular to the sanding belt, and always keep the material moving for even material removal.

Accessories

Recommended accessories for use with your tool are available at extra cost from your local dealer or authorized service center. Service centers are listed in back of manual. If you need assistance in locating any accessory for your tool, please contact your local dealer or authorized service center.

Accessories designed for use with your BD 5500 Belt Sander are listed below. **CAUTION: THE USE OF ANY ACCESSORY OR ATTACHMENT NOT RECOMMENDED FOR USE WITH THIS TOOL COULD BE HAZARDOUS.**

DESCRIPTION

- "x 21"36 Grit
- "x 21"60 Grit
- "x 21"80 Grit
- "x 21"100 Grit

Protective glasses

BD555A-Belt Sander Sanding Frame

Cleaning & Lubrication

Use only mild soap and damp cloth to clean the tool. Never let any liquid get inside the tool; never immerse any part of the tool into a liquid.

Self-lubricating bearings are used in the tool and periodic lubrication is not required. In the unlikely event that service is ever needed, service center addresses are packed with your tool.

Important

To assure product SAFETY and RELIABILITY, repairs, maintenance and adjustment (including brush inspection and replacement) should be performed by authorized service centers or other qualified service organizations, always using identical replacement parts.

Full Two-Year Home Use Warranty

Black & Decker (U.S.) Inc. warrants this product for two years against any defects that are due to faulty material or workmanship. Please return the complete unit, transportation prepaid, to the seller (if a participating retailer) for free replacement (proof of purchase may be required). This unit may also be returned to a Black & Decker service center or authorized service station, listed under "Tools-Electric" in the yellow pages for free replacement or repair at our option. This warranty does not apply to accessories. This warranty gives you specific legal rights and you may have other rights which vary from state to state. Should you have any questions, contact your nearest Black & Decker service center manager.

This product is not intended for commercial use.

Every Black & Decker tool is of the highest quality. If you wish to contact us regarding this product, please call toll free between 8:00 a.m. and 8:00 p.m. ET, seven days a week.

1-800-762-6672

Imported by
Black & Decker (U.S.) Inc.,
701 E. Joppa Rd.
Towson, MD 21286 U.S.A.

See 'Tools-Electric'
- Yellow Pages -
for Service & Sales

