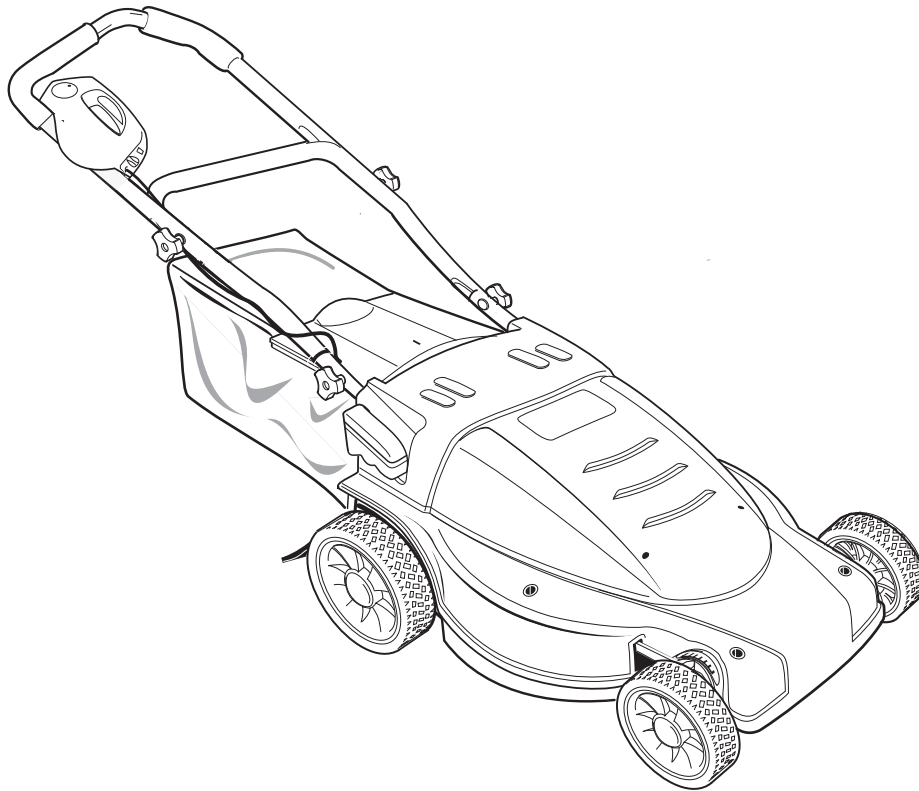




# 19" (483mm) Cordless Mulching Rear Bag Mower

## INSTRUCTION MANUAL

**CMM1200**



### KEY INFORMATION YOU SHOULD KNOW:

- Do not operate mower unless handle is locked into position.
- For best cutting results, keep blade sharpened and balanced.
- Inspect and thoroughly clean your mower after each use (a deck with caked grass will degrade performance).
- Make sure mowing area is clear of other persons or pets prior to starting and during operation.

**SAVE THIS MANUAL FOR FUTURE REFERENCE**

THANK YOU FOR CHOOSING  
BLACK & DECKER! GO TO  
[WWW.BLACKANDDECKER.COM/NEWOWNER](http://WWW.BLACKANDDECKER.COM/NEWOWNER)  
TO REGISTER YOUR NEW PRODUCT.

**BEFORE RETURNING THIS PRODUCT  
FOR ANY REASON PLEASE CALL  
1-800-544-6986**

BEFORE YOU CALL, HAVE THE CATALOG No. AND DATE CODE AVAILABLE. IN MOST CASES, A **BLACK & DECKER** REPRESENTATIVE CAN RESOLVE THE PROBLEM OVER THE PHONE. IF YOU HAVE A SUGGESTION OR COMMENT, GIVE US A CALL. YOUR FEEDBACK IS VITAL TO BLACK & DECKER.

**SAFETY GUIDELINES - DEFINITIONS**

It is important for you to read and understand this manual. The information it contains relates to protecting YOUR SAFETY and PREVENTING PROBLEMS. The symbols below are used to help you recognize this information.

**⚠ DANGER:** Indicates an imminently hazardous situation which, if not avoided, will result in death or serious injury.

**⚠ WARNING:** Indicates a potentially hazardous situation which, if not avoided, could result in death or serious injury.

**⚠ CAUTION:** Indicates a potentially hazardous situation which, if not avoided, may result in minor or moderate injury.

**CAUTION:** Used without the safety alert symbol indicates potentially hazardous situation which, if not avoided, may result in property damage.

The following are explanations of important safety hazard pictorials on the mower.



1. User must read and understand the instruction manual.



2. To avoid the risk of serious injury do not mow up and down slopes. Always mow across slopes.



3. To avoid the risk of injury to bystanders keep all persons and pets at a safe distance from the mower while operating.



4. Rotating blades can cause serious injury. Keep hands and feet clear of mower deck and discharge opening at all times. Always be sure blade has stopped (wait for the blade to stop rotating (approx. 3 seconds) after releasing switch lever and removing the safety key) before removing and replacing grass catcher, cleaning, servicing, transporting or lifting the mower.



5. Objects struck by mower blade can cause serious injury. Stay behind the handle when the motor is running. Always ensure persons and pets are clear of the discharge from the mower while operating. Always inspect mowing area before mowing and remove objects that could be thrown by blade. Release switch lever to turn mower off and wait for the blade to stop rotating (approx. 3 seconds) before crossing walk, roads, patios and gravel drives.

**⚠ WARNING: IMPORTANT SAFETY WARNINGS AND INSTRUCTIONS**

**⚠ WARNING:** When using electric gardening appliances, basic safety precautions should always be followed to reduce risk of fire, electric shock, and personal injury, including the following.

**READ ALL INSTRUCTIONS**

**TO REDUCE RISK OF INJURY:**

- Before any use, be sure everyone using this tool reads and understands all safety instructions and other information contained in this manual.
- Save these instructions and review frequently prior to use and in instructing others.

**⚠ DANGER: IMPORTANT SAFE PRACTICES FOR WALK-BEHIND MOWERS**

This mower is capable of amputating hands and feet and throwing objects. Failure to observe the following safety instructions could result in serious injury or death.

**GENERAL OPERATION**

1. Read, understand, and follow all instructions on the mower and in the instruction manual before starting.
2. Do not put hands or feet near or under the mower. Keep clear of the discharge opening at all times.
3. Only allow responsible adults, who are familiar with the instructions, to operate this mower.
4. Clear the area where the mower is to be used of objects such as rocks, sticks, wire, toys, bones, etc., which could be thrown by the blade. Objects struck by the blade can cause severe injury to persons. Stay behind the handle when the motor is running.
5. Be sure the area surrounding the mower is clear of bystanders before operating. All bystanders and pets should be kept at a safe distance. Stop the mower if anyone enters the area surrounding the mower.
6. Do not operate mower barefooted or while wearing sandals. Always wear substantial footwear.
7. Do not pull mower backward unless absolutely necessary. Always look down and behind before and while moving backward.
8. Never direct discharged material toward anyone. Avoid discharging material against a wall or obstruction. Material may ricochet back toward the operator. Release switch lever to turn mower off and stop the blade when crossing gravel surfaces.
9. Do not operate mower without the entire grass catcher, discharge guard, rear guard, or other safety protective devices in place and working. Periodically check all guards and safety protective devices to ensure they are in good working order and will operate properly and perform their intended function. Replace a damaged guard or other safety device before further use.
10. Never leave a running mower unattended.
11. Always release the switch lever to stop the motor and wait until the blade comes to a complete stop and remove the safety key before cleaning the mower, removing the grass catcher, unclogging the discharge guard, when leaving the mower, or before making any adjustments, repairs or inspections.
12. Operate mower only in daylight or good artificial light when objects in the path of the blade are clearly visible from the operating area of the mower.
13. Do not operate mower while under the influence of alcohol or drugs, or when you are tired or ill. Always stay alert, watch what you are doing, and use common sense.
14. Avoid dangerous environments. Never operate mower in damp or wet grass, never use mower in the rain. Always be sure of your footing; walk; never run.
15. Disengage the drive system, if so equipped, before starting the motor.
16. If the mower should start to vibrate abnormally, release the switch lever, wait for the blade to stop and remove the safety key, then check for the cause immediately. Vibration is generally a warning of trouble.
17. Always wear proper eye and respiratory protection when operating the mower.
18. The use of any accessory or attachment not recommended for use with this mower could be hazardous. Only use accessories approved by Black & Decker.
19. Never overreach while operating the mower. Always be sure to keep proper footing and balance at all times while operating the mower.

**SLOPE OPERATION**

Slopes are a major factor related to slip and fall accidents, which can result in severe injury. Operation on all slopes requires extra caution. If you feel uneasy on a slope, do not mow it.

1. Mow across the face of slopes; never up and down. Exercise extreme caution when changing direction on slopes.
2. Watch for holes, ruts, bumps, rocks, or other hidden objects. Uneven terrain could cause a slip and fall accident. Tall grass can hide obstacles.

- Do not mow on wet grass or excessively steep slopes. Poor footing could cause a slip and fall accident.
- Do not mow near drop-offs, ditches, or embankments. You could lose your footing or balance.

## CHILDREN

Tragic accidents can occur if the operator is not alert to the presence of children. Children are often attracted to the mower and the mowing activity. Never assume that children will remain where you last saw them.

- Keep children out of the mowing area and under the watchful care of a responsible adult other than the operator.
- Be alert and turn mower off if a child enters the area.
- Never allow children to operate the mower.
- Use extra care when approaching blind corners, shrubs, trees, or other objects that may block your view of a child.

## GENERAL SERVICE

- Never operate mower in a closed area.
- Keep all nuts and bolts tight to be sure the equipment is in safe working condition.
- Never tamper with safety devices. Check their proper operation regularly.
- Keep mower free of grass, leaves, or other debris build-up. Allow mower to cool before storing.
- If you strike a foreign object, release switch lever to turn mower off, wait for the blade to stop and remove the safety key and then inspect the mower. Repair, any damage, before starting and operating the mower.
- Never make any adjustments or repairs with the motor running or while the safety key is in the mower.
- Always remove safety key before adjusting, cleaning, repairing, inspecting, transporting, storing or leaving the mower.
- Check grass catcher components and the discharge guard frequently and when necessary replace with Black & Decker recommended parts only.
- Mower blades are sharp. Wrap the blade or wear gloves, and use extra caution when servicing them.
- Maintain or replace safety and instruction labels, as necessary.

## ⚠️ WARNING: GENERAL SAFETY WARNINGS AND INSTRUCTIONS FOR ALL TOOLS

- THIS TOOL CAN BE DANGEROUS.** Follow all warnings and Safety Instructions in this manual. The operator is responsible for following warnings and instructions in this manual and on unit. Restrict use of this mower to persons who read, understand and follow warnings and instructions in this manual and on unit.
- STORE IDLE MOWER INDOORS.** Always store with safety key removed. Mowers should be stored indoors in dry, secured area – out of reach of children.
- DON'T FORCE MOWER.** It will do the job better and with less likelihood of a risk of injury at the rate for which it was designed.
- USE RIGHT APPLIANCE.** Do not use the mower for any job except that for which it is intended.
- DRESS PROPERLY.** Do not wear loose clothing or jewelry. They can be caught in moving parts. Rubber gloves, long pants and substantial, non-skid footwear are recommended when working outdoors.
- USE SAFETY GLASSES AND OTHER SAFETY EQUIPMENT.** Use safety goggles or safety glasses with side shields, complying with applicable safety standards and, when needed, a face shield. Also use face or dust mask if operation is dusty. This applies to all persons in the work area. Also use a hard hat, hearing protection, gloves, safety shoes and dust collection systems when specified or required. Safety glasses or the like are available at extra cost at your local dealer or Black & Decker Service Center.
- DON'T ABUSE CORD.** Never carry charger by cord or yank it to disconnect from receptacle. Keep cord away from heat, oil, and sharp edges.
- MAINTAIN MOWER WITH CARE.** Keep cutting edge clean and sharp for best performance and to reduce the risk of injury. Follow instructions for lubricating and changing accessories. Inspect mower cord periodically and if damaged, have it repaired by authorized service facility. Keep handles dry, clean, and free from oil and grease.
- AVOID UNINTENTIONAL STARTING.** Don't carry mower with safety key inserted in switch housing. Be sure switch lever is not engaged while inserting safety key.
- BEFORE USING,** always visually inspect to see that the blade, blade fasteners and cutter assembly are not worn or damaged. Replace worn or damaged blades and fasteners in sets to preserve balance. Inspect the mower cord - ensure it is in good condition. Cord insulation must be intact with no cracks or deterioration.

## • USE OF EXTENSION CORDS

Make sure the extension cord is in good condition before using. Always use the proper size extension cords with the tool – that is, proper wire size for various lengths of cord and heavy enough to carry the current the tool will draw. Use of an undersized cord will cause a drop in line voltage resulting in loss of power and overheating. For proper size cords see chart below.

Volts	Minimum Gage for Cord Sets			
	Total Length of Cord in Feet			
120V	0-25	26-50	51-100	101-150
	(0-7,6m)	(7,6-15,2m)	(15,2-30,4m)	(30,4-45,7m)
240V	0-50	51-100	101-200	201-300
	(0-15,2m)	(15,2-30,4m)	(30,4-60,9m)	(60,9-91,4m)
Ampere Rating		American Wire Gage		
More Than	Not more Than			
0	- 6	18	16	16
6	- 10	18	16	14
10	- 12	16	16	14
12	- 16	14	12	Not Recommended

- CHECK FOR DAMAGED PARTS.** Before further use of the mower, a guard or other part that is damaged should be carefully checked to determine that it will operate properly and perform its intended function. Check for alignment of moving parts, binding of moving parts, breakage of parts, mounting, and any other conditions that may affect their operation. A guard or other part that is damaged should be properly repaired or replaced by an authorized service center unless otherwise indicated elsewhere in this manual.
- REPAIRS AND SERVICE.** Repairs, maintenance and any adjustments not specified in this manual should be performed by Black & Decker authorized service centers or other qualified service organizations, always using identical replacement parts.

## ⚠️ DANGER: ADDITIONAL WARNINGS FOR MOWERS

- ALWAYS** firmly grip handle with both hands when operating mower.
- NEVER** wear radio or music headphones while operating mower.
- CONTAIN** long hair.
- NEVER** attempt to make a wheel height adjustment while the motor is running or while the safety key is in the switch housing.
- IF MOWER** stalls, release switch lever to turn mower off, wait for blade to stop and remove the safety key, before attempting to unclog the chute or remove anything from under the deck.
- KEEP HANDS** and feet away from cutting area.
- KEEP BLADES** sharp. Always use protective gloves when handling the mower blade.
- IF YOU** are using a grass catcher, check it frequently for wear and deterioration. If excessively worn, replace with new bag for your safety.
- USE EXTREME CAUTION** when reversing or pulling mower toward you.

⚠️ **WARNING:** Some dust created by this product contains chemicals known to the State of California to cause cancer, birth defects or other reproductive harm. Some examples of these chemicals are:

- compounds in fertilizers
- compounds in insecticides, herbicides and pesticides
- arsenic and chromium from chemically treated lumber

To reduce your exposure to these chemicals, wear approved safety equipment such as dust masks that are specially designed to filter out microscopic particles.

## PREPARATION

PLEASE REFER TO DIAGRAMS (A, B, C...) AND ITEM NUMBERS (1, 2, 3...) AS NOTED THROUGHOUT MANUAL. FOR EXAMPLE, A-1 REFERS TO ITEM 1 IN FIGURE A.

### UNPACKING

Your mower has been completely assembled at the factory except for the grass bag. Your Black & Decker cordless mower is shipped with the battery system fully assembled and ready for use.

#### To remove mower from carton:

1. Remove the grass bag frame and cardboard fillers.
2. Remove the mower from the carton and place all four wheels on the ground or floor.
3. Check the carton thoroughly and make sure there are no loose parts.

#### To unfold handle:

Raise the handle section A-1 into place and secure by tightening the two lower knobs A-2. Be careful not to pinch power cord.

**⚠ DANGER: Sharp moving blade.** For your own safety DO NOT use this mower without either the grass catcher, mulch insert, or optional discharge chute in operating position, as serious injury could result.

### ASSEMBLING THE GRASS CATCHER (FIGURE C1, C2, C3, C4)

1. Before starting to assemble the grass bag to the frame, check that the grass bag and frame are similar to figure C1.
2. Slide the grass bag onto the frame as shown in figure C2.
3. Assemble the top clips to the frame as shown in figure C3, then assemble the two side clips and the bottom clip last.
4. Completely assembled grass catcher is shown in figure C4.

### HANDLE ADJUSTMENT

Your mower has a variable height handle adjustment feature. To adjust the handle position to suit your height preference, use the following procedure:

1. Remove both knobs B-1 on the middle part of the handlebars and remove the saddle bolts B-2.
2. Slide the upper handle into one of the 3 adjustment positions B-3, aligning the holes in the upper and lower handles.
3. Insert the saddle bolts and install the knobs, tightening securely. The knobs should always be on the outside of the handles to avoid interference with the rear door and grass bag.

### WHEEL HEIGHT ADJUSTMENT (1-3/4”(44mm) TO 3-1/2” (89mm))

1. Before making any adjustments, release switch lever to turn mower off, wait for blade to stop, and remove safety key.
2. Your mower features the Black & Decker one touch wheel height adjustment system. This system will adjust all four wheels at the same time.
3. To raise or lower the cutting height, place the palm of your hand on the palm rest E-1 and with your fingers, squeeze upward on the finger grip E-2 and hold.
4. While holding the finger grip up you can raise or lower the cutting height. The mower has seven blade height adjustment positions. Refer to the scale F-1 and pointer F-2 at the front of the mower. The pointer will indicate the height setting for cutting your lawn. This setting can be a reference for the next time you want to cut your lawn at the same height.

When you have the mower at the height you would like, hold it in place with your left hand on the lower right handle bar and release the finger grip with your right hand to lock the height adjust.

**Note:** To ensure that the deck is securely locked in one of the seven positions, press down on the palm rest after releasing the finger grip.

## BATTERY

**⚠ CAUTION: USE ONLY BLACK & DECKER APPROVED REPLACEMENT BATTERIES - CONTACT YOUR LOCAL SERVICE CENTER OR 1-800-544-6986.**

The battery in your cordless mower is a 24-volt sealed lead acid system. There is no liquid contained within the battery and the mower can therefore be stored in any position without fear of leakage.

- For optimal performance the battery should be kept on constant charge when not in use.
- The battery prefers to be charged in a cool, dry place.
- The battery does not need to be fully discharged before recharging.
- 2 to 3 initial charging cycles may be required after purchase to achieve maximum run time capacity.
- The battery can be safely stored down to -40°C (-40°F).
- The battery is maintenance free.

## CHARGER SAFETY RULES

1. Plug charger directly into an electrical outlet. **DO NOT ABUSE THE CORD.** Never carry charger by cord. Do not disconnect the charger from the outlet or mower by pulling it by the cord.
2. **⚠ WARNING:** To reduce the risk of fire, electrical shock, or personal injury do not attempt to use this charger with any other product. Likewise, do not attempt to charge the mower with any other charger.
3. Do not service mower with charger or safety key installed.
4. Do not operate a damaged charger. Replace damaged cords or charger immediately at an authorized Black & Decker service center.
5. Always charge the mower in a dry area protected from the weather. Do not expose the mower or charger to rain. Do not charge in wet locations. Do not charge mower when temperature is above 40°C (104°F) or below 5°C (41°F).
6. Keep the mower and charger away from water, heat sources, (such as radiators, heaters, stoves, etc.) flames, or chemicals. Be careful not to damage the charger cord, by keeping cord away from sharp edges.

### ⚠ WARNING: FIRE HAZARD

**ALWAYS DISCONNECT THE CHARGER FROM THE POWER SUPPLY (WALL OUTLET) BEFORE REMOVING THE CHARGER CONNECTOR. UNDER CERTAIN CONDITIONS, WITH THE CHARGER PLUGGED IN TO THE POWER SUPPLY, THE EXPOSED CONNECTOR CAN BE SHORTED BY FOREIGN MATERIAL AND MAY CAUSE A FIRE. FOREIGN MATERIALS OF A CONDUCTIVE NATURE, SUCH AS, BUT NOT LIMITED TO, STEEL WOOL, ALUMINUM FOIL, OR ANY BUILD-UP OF METALLIC PARTICLES, SHOULD BE KEPT FROM THE CONNECTOR. ALWAYS UNPLUG CHARGER BEFORE ATTEMPTING TO CLEAN.**

## CHARGING PROCEDURE

The charger for your mower is a specially designed 2-step charger. Step 1: The recharge cycle is indicated by the illuminated red light (D-1). Step 2: The maintenance cycle is indicated by the illuminated green light (D-2).

This cycle will maintain your mower in a fully charged condition.

1. Remove safety key D-6.
2. Plug the charger connector D-3 into the receptacle D-8 on the mower. The charger connector can only be plugged into the mower receptacle one way.
3. Insert the 120 volt plug D-4 of the charger D-5 into the wall receptacle.
4. The red light on the charger should come on indicating you have power and the battery is being charged. The red light should extinguish and the green light will come on when charging is complete (takes approximately 9 hours to charge a fully discharged mower).
5. It is recommended to leave the mower on constant charge for optimum performance during the mowing season.
6. The charger supplied with this product is intended to be plugged in such that it is correctly orientated in a vertical or floor mount position.

## OPERATION

PLEASE REFER TO DIAGRAMS (A, B, C...) AND ITEM NUMBERS (1, 2, 3...) AS NOTED THROUGHOUT MANUAL. FOR EXAMPLE, A-1 REFERS TO ITEM 1 IN FIGURE A.

## KNOW YOUR MOWER

**READ THIS INSTRUCTION MANUAL AND SAFETY RULES BEFORE OPERATING YOUR MOWER.** See diagram G to familiarize yourself with the location of various controls and adjustments referenced below. Save this manual for future reference.

G-1: Safety key

G-2: Switch lever

G-3: Handle adjustment knobs

G-4: Handle storage knobs

G-5: Grass bag

G-6: Cut height adjustment release

G-7: Cut height indicator

## SAFETY KEY

### **⚠ DANGER : SHARP MOVING BLADE.**

In order to prevent accidental start-up or unauthorized use of your Cordless Mower, a removable Safety Key D-6 has been incorporated into the design of your mower. The mower will be completely disabled when the Safety Key has been removed from the mower. With the Safety Key removed, you will have access to the charger receptacle D-8.

**AFTER REMOVING THE SAFETY KEY, ONLY GRASP THE PLASTIC HANDLE OF THE KEY, AS THE METAL MAY BECOME WARM AFTER THE MOWER HAS BEEN OPERATING.**

**NOTE: THE SAFETY KEY HAS A STRAP ATTACHED IN THE CENTER TO ALLOW FOR STORAGE ON A NAIL, OUT OF THE REACH OF CHILDREN. DO NOT TETHER SAFETY KEY TO MOWER.**

**⚠ DANGER: ROTATING BLADES CAN CAUSE SERIOUS INJURY. TO PREVENT SERIOUS INJURY, REMOVE SAFETY KEY WHEN UNATTENDED, OR WHEN CHARGING, CLEANING, SERVICING, TRANSPORTING, LIFTING, OR STORING MOWER.**

## TO TURN MOWER ON

Insert Safety Key D-6 into the switch housing, push in and rotate 1/4 turn clockwise until safety key is fully seated inside housing. The mower is now operational and can be started by activating the switch lever.

**⚠ DANGER: SHARP MOVING BLADE. NEVER ATTEMPT TO OVERRIDE THE OPERATION OF THIS SWITCH AND SAFETY KEY SYSTEM AS SERIOUS INJURY COULD RESULT.**

## ON-OFF SWITCH LEVER - FIGURE H

Your mower is equipped with a special on-off switch system. To operate the system, first push switch lever out (H-1), then pull it to the handlebar (H-2). To turn the mower off, just release the switch lever.

Once the switch lever has returned to the original position it will activate the "Automatic Braking Mechanism". The motor is electrically braked and the mower blade will stop rotating in 3 seconds or less.

## MEETS CPSC SAFETY REQUIREMENTS

Black and Decker Mowers conform to the safety standards of the American National Standards Institute, and the U.S. Consumer Product Safety Commission. The Blade turns when the motor is running.

## SAFETY SHIELD AND REAR DOOR

This safety shield I-1 is designed to minimize the throwing of stones or other objects by the mower blade backward from under the mower deck. The shield, along with the rear door I-2, minimizes the possibility of accidental foot contact with the blade. DO NOT operate mower without the safety shield and rear door in place.

**⚠ DANGER: Sharp moving blade.** For your own safety DO NOT use this mower without either the grass catcher or mulch insert in operating position as serious injury could result.

**⚠ DANGER: Sharp moving blade.** Do not operate the mower if the rear door is not closed under spring tension as serious injury could

result. Take your mower to the nearest service center for repair.

## REMOVING MULCH INSERT

To remove the mulch insert I-3 so that you can bag the grass or discharge with the optional discharge chute, follow the steps listed below:

1. Release switch lever to turn mower off, wait until the blade stops and remove safety key D-6.
2. Raise the rear discharge door I-2 and hold it up.
3. Locate your hand in the handle pocket I-4 as shown, and lift and pull out the mulch insert I-3 completely.
4. The rear discharge door is spring loaded. When you release it the door will return to the closed position.

## INSTALLING MULCH INSERT

1. Repeat steps 1 and 2 for removing mulch insert.
2. Slide the mulch insert I-3 into the discharge opening until it is firmly in contact with the deck.
3. Release rear door and ensure it is properly closed.

## INSTALLING GRASS CATCHER

1. Release switch lever to turn mower off, wait until the blade stops and remove safety key D-6.
2. Reaching down between the mower handles, raise the rear discharge door J-1 to a vertical position and hold the door up. Ensure that the mulch insert I-3 has been removed.
3. Pick up the grass catcher J-2 by the handle J-3 and place the grass catcher between the mower handles as shown.
4. Position the grass catcher hanger hooks J-4 on the mower as shown in Figure K. Release the rear discharge door.

**⚠ DANGER: Sharp moving blade.** Never operate the mower unless the hanger hooks on the grass catcher are seated properly on the mower and the rear discharge door rests firmly against the top of the grass catcher as serious injury could result.

## MOWING TIPS

**NOTE: ALWAYS INSPECT AREA WHERE MOWER IS TO BE USED AND REMOVE ALL STONES, STICKS, WIRE, BONES AND OTHER DEBRIS WHICH MIGHT BE THROWN BY THE ROTATING BLADE.**

1. Mow across the face of slopes, never up-and-down. Exercise extreme caution when changing direction on slopes. Do not mow excessively steep slopes. Always maintain good footing.
2. Release switch lever to turn mower "OFF" when crossing any gravel area (stones can be thrown by the blade).
3. Set mower at highest cutting height when mowing in rough ground or in tall weeds. Removing too much grass at one time can cause circuit breaker to trip, which stops mower. Refer to troubleshooting guide.
4. If a grass catcher is used during the fast growing season, the grass may tend to clog up at the discharge opening. Release switch lever to turn mower off and remove the safety key. Remove the catcher and shake the grass down to the back end of the bag. Also clean out any grass or debris which may be packed around the discharge opening. Replace the grass catcher.
5. If mower should start to vibrate abnormally, release switch lever to turn mower off and remove safety key. Check immediately for cause. Vibration is a warning of trouble. Do not operate mower until a service check has been made. Refer to troubleshooting guide in manual.
6. **ALWAYS RELEASE SWITCH LEVER TO TURN MOWER OFF AND REMOVE SAFETY KEY WHEN LEAVING IT UNATTENDED EVEN FOR A SHORT PERIOD OF TIME.**

**THE FOLLOWING SUGGESTIONS WILL HELP YOU TO OBTAIN OPTIMUM RUN TIME FROM YOUR CORDLESS MOWER:**

1. Slow down in areas where the grass is especially long or thick.
2. When mulching, avoid cutting more than 1-1/2 inches off the length at any one time.
3. Avoid mowing when the grass is wet from rain or dew-soaked.
4. Cut your lawn frequently, especially during high growth periods.

**NOTE: IT IS RECOMMENDED THAT YOUR MOWER BE RECHARGED AFTER USE. FREQUENT CHARGING WILL NOT HARM YOUR BATTERY, AND WILL ENSURE THAT THE BATTERY IS FULLY CHARGED AND READY FOR ITS NEXT USE.**

### **MULCHING MOWING TIPS**

Your mower was shipped from Black & Decker with the mulch insert installed.

While mulching, your new mower is designed to cut the grass clippings into small pieces and distribute them back into the lawn. Under normal conditions, the mulched grass will biodegrade quickly to provide nutrients to the lawn.

Please review the following recommendations for optimum mulching performance.

1. Avoid mowing when the grass is wet from rain or dew. Wet grass may form clumps which interfere with the mulching action and reduce run-time. The best time to mow grass is in the late afternoon when the grass is dry and the newly cut area will not be exposed to direct sunlight.
2. For best mulching performance, set the cutting height to remove about one third of the grass blade length, ideally no more than 1-1/2" at one time. If the lawn is overgrown, it may be necessary to increase the cut height to reduce the pushing effort and prevent overloading the motor. For extremely heavy mulching, it is advisable to first cut at a high cut height setting, and then re-cut to the final cut height. Otherwise, make narrower cuts and mow slowly.
3. For best performance, keep the mower housing free of built-up grass. From time to time release switch lever to turn mower off and wait for the blade to come to a complete stop. Then remove the safety key and turn mower on its side. Using an object such as a stick, wipe out any accumulation of grass in the blade area. Be careful of the sharp edges of the blade. Clean often in wet, spring grass, and always after every use.
4. Certain types of grass or grass conditions may require that an area be mulched a second time to fully disperse the grass throughout the lawn. If cutting a second time, it is advisable to cut perpendicular (across) the first cut pattern. **DO NOT CHANGE CUT PATTERN IN ANY WAY THAT WOULD CAUSE MOWING DOWN A HILL.**
5. Change your cutting pattern from week to week. This will help prevent matting of the lawn.

## **MAINTENANCE**

**IMPORTANT:** To assure product SAFETY and RELIABILITY, repairs, maintenance and adjustment (including brush inspection and replacement) should be performed by BLACK & DECKER Service Centers or other qualified service organizations, always using Black & Decker replacement parts. When servicing use ONLY IDENTICAL REPLACEMENT PARTS.

**PLEASE REFER TO DIAGRAMS (A, B, C...) AND ITEM NUMBERS (1, 2, 3...) AS NOTED THROUGHOUT MANUAL. FOR EXAMPLE, A-1 REFERS TO ITEM 1 IN FIGURE A.**

### **REMOVING AND INSTALLING BLADE**

1. RELEASE SWITCH LEVER TO TURN MOWER OFF, WAIT FOR THE BLADE TO STOP, AND REMOVE SAFETY KEY.
2. Cut a piece of 2x4 wood N-1 (about 2 feet long) to keep blade from turning while removing flange nut.
3. Turn the mower on its side. Wear gloves and proper eye protection. Be careful of sharp edges of blade. Position wood and remove flange nut N-3 with 3/4" (19mm) wrench N-2 as shown in Figure N.
4. Remove square metal blade spacer O-2, square plastic blade

- insulator O-3, and blade O-4 as shown in figure O. Examine blade insulator for damage and replace if necessary.
5. When replacing sharpened or new blade on shoulder of fan O-5, make sure the "GRASS SIDE" on the blade will be facing the ground when the mower is returned to its normal upright position. After installing blade O-4, place blade insulator O-3 on blade such that the raised lips on one side engage the edges of the blade. Then install the blade spacer O-2 so that it sits inside the raised lips on the other side of the blade insulator. Be sure to align the flats in the hole of the blade spacer with the flats of the shaft, rotating the blade and blade insulator together as necessary. Position piece of wood P-1 to keep blade from turning as shown in figure P. Install flange nut with the flange against the blade spacer and securely tighten.

### **BLADE SHARPENING**

**KEEP BLADE SHARP FOR BEST MOWER PERFORMANCE. A DULL BLADE DOES NOT CUT GRASS CLEANLY OR MULCH PROPERLY.**

**WEAR PROPER EYE PROTECTION WHILE REMOVING, SHARPENING, AND INSTALLING BLADE. ENSURE THAT SAFETY KEY IS REMOVED.**

Sharpening the blade twice during a mowing season is usually sufficient under normal circumstances. Sand causes the blade to dull quickly. If your lawn has sandy soil, more frequent sharpening may be required.

**REPLACE BENT OR DAMAGED BLADE IMMEDIATELY.**

#### **WHEN SHARPENING THE BLADE:**

1. Make sure blade remains balanced.
2. Sharpen blade at the original cutting angle.
3. Sharpen cutting edges on both ends of blade, removing equal amounts of material from both ends.

#### **TO SHARPEN BLADE IN A VISE:**

1. Be sure the switch lever is released, the blade has stopped and the safety key removed before removing the blade.
2. Remove blade from mower. See instructions for removing and installing blade.
3. Secure blade L-1 in a vise L-2.
4. Wear proper eye protection and gloves and be careful not to cut yourself.
5. Carefully file the cutting edges of the blade with a fine tooth file L-3 or sharpening stone, maintaining the original cutting edge.
6. Check balance of blade. See instructions for blade balancing.
7. Replace blade on mower and tighten securely.

### **BLADE BALANCING**

Check balance of blade by placing center hole in blade M-1 over a nail or round shank screwdriver M-2, clamped horizontally in a vise M-3. If either end of the blade rotates downward, file that end. Blade is properly balanced when neither end drops.

### **LUBRICATION**

No lubrication is necessary. Do not oil the wheels. They have plastic bearing surfaces which require no lubrication.

### **CLEANING**

RELEASE SWITCH LEVER TO TURN MOWER OFF, LET THE BLADE COME TO A STOP AND THEN REMOVE SAFETY KEY. USE ONLY MILD SOAP AND A DAMP CLOTH TO CLEAN THE MOWER. CLEAN OUT ANY CLIPPINGS WHICH MAY HAVE ACCUMULATED ON THE UNDERSIDE OF THE DECK. AFTER SEVERAL USES, CHECK ALL EXPOSED FASTENERS FOR TIGHTNESS.

### **PREVENTING CORROSION**

Fertilizers and other garden chemicals contain agents which greatly accelerate the corrosion of metals. If you mow in areas where fertilizers or chemicals have been used, the mower should be cleaned

immediately afterward as follows: (1) Release switch lever to turn mower off and remove safety key. (2) Wipe all exposed parts with a damp cloth.

**⚠ CAUTION:** DO NOT POUR OR SPRAY WATER ON THE MOWER IN AN ATTEMPT TO CLEAN IT.

Do not store the tool on or adjacent to fertilizers or chemicals. Such storage can cause rapid corrosion.

## **TRANSPORTING AND STORAGE**

**⚠ DANGER:** Rotating blade can cause serious injury. Release switch lever to turn mower off and remove the safety key before lifting, transporting or storing the mower. Store in a dry place.

## **OFF-SEASON STORAGE**

1. In warmer climates to ensure optimal performance, it is recommended that the battery be maintained on constant charge.
2. The mower may be stored with the charger disconnected if all of the following conditions are met.
  - the mower is fully charged before storing.
  - the average temperature of the storage location is below 10°C (50°F)
  - Storage duration is less than 6 months.

## **BATTERY SERVICE AND INSTALLATION**

When service or repair is required, it is recommended that you take your mower to an authorized Black & Decker Service Center.

When servicing or replacing batteries, please note:

- At the end of normal service life, both batteries should be replaced at the same time. Mixing fresh and discharged batteries could increase internal cell pressure and cause battery rupture.
- When inserting batteries into this product, the proper polarity or direction must be observed. Reverse insertion of the batteries can result in leakage or explosion.

### **THE RBRC™ SEAL (Battery Recycling)**

The RBRC™ (Rechargeable Battery Recycling Corporation) Seal on the lead acid battery (or battery pack) indicates that the costs to recycle the battery (or battery pack) at the end of its useful life have already been paid by Black & Decker. In some areas, it is illegal to place spent lead acid batteries in the trash or municipal solid waste stream and the RBRC program provides an environmentally conscious alternative.

RBRC in cooperation with Black & Decker and other battery users, has established programs in the United States and Canada to facilitate the collection of spent lead acid batteries. Help protect our environment and conserve natural resources by returning the lead acid battery to an authorized Black & Decker service center or to your local retailer for recycling. You may also contact your local recycling center for information on where to drop off the spent battery, or call **1-800-544-6986**



## **Accessories**

Recommended accessories for use with your mower are available from your local dealer or authorized service center. If you need assistance regarding accessories, please call: **1-800-544-6986**

**⚠ WARNING:** The use of any accessory not recommended for use with this tool could be hazardous.

**p/n 242354-01 MULCH INSERT**

**p/n 242867-00 SIDE DISCHARGE CHUTE**

**p/n 242501-05 REPLACEMENT GRASSBAG**

**MB-850 REPLACEMENT BLADE**

**HERE ARE SOME HELPFUL HINTS TO GET THE MOST FROM YOUR BLACK & DECKER CORDLESS MOWER...AND KEEP**

## **YOUR LAWN LOOKING BEAUTIFUL**

1. Lawns should first be mowed in the spring when the grass is about 2 1/2 to 3 inches high. Mowing too early restricts the grass root systems which renew themselves every spring. New grass should be clipped when it is about 2 1/2 inches high.
2. Do not remove too much grass blade surface at one time...never more than 1/3 of the leaf height during each cutting. Cutting too close "shocks" sensitive grass blades, resulting in a shallow root system and thus making it more difficult for your lawn to reach water in the soil.
3. Lawn care experts say that excessively close cutting is responsible for much of the difficulty experienced on many lawns. The depth and strength of the roots of grass are almost exactly proportional to its growth. Grasses of mature lawns often are seriously injured when mowed shorter than 1 1/2 inches, and a height of 1 1/2 to 2 inches is preferred on large lawns.
4. Mow your lawn when it is dry to avoid clumping of wet grass. If you have a choice, late afternoon is the ideal time for mowing, not only because the grass is dry, but also because the sensitive new cut area of the grass will not be exposed to intense sunlight.
5. Keep the mowing blade sharp for a nice clean cut. This improves the mower's performance and enhances the look of your lawn. A dull blade shatters and bruises the tips of the grass. This impairs the healthy growth of your lawn and increases susceptibility to turf diseases. If the grass tips are bruised it causes a brownish colour and gives your lawn an unhealthy appearance. A dull blade may also pull up young seedlings.
6. Try to mow your lawn at the same (consistent) cutting height. While there are times when you should vary the cutting height with the changing seasons, a consistent cutting height produces a healthier, lovelier lawn with generally fewer weeds. Mow more frequently during periods of fast growth. Frequent cutting ensures that the lower, less attractive portion of the grass will not show.
7. If your lawn has grown too long, (a vacation, for example, may interrupt your cutting schedule) mow at a cutting height one or two positions higher than normal. A second pass at "normal" cutting height a few days later will put your lawn back on schedule. Changing the cutting height is a simple matter with Black & Decker's One Touch Wheel Height Adjustment, which simultaneously adjusts all four wheels at once.
8. During the spring and fall, (or after an interruption to the cutting schedule) the grass will be longer and thicker. If the motor continually slows down while cutting, try setting the wheels for a higher cutting height. Excessive motor loading can result in uneven cutting, quicker discharge of the battery, and can cause the circuit breaker to trip, which stops the motor.
9. Three good ideas to enhance your lawn's appearance: Vary the mowing direction frequently; mow horizontally on hillsides; (this is also a good safety practice) and do not forget to overlap the mowing path on each pass.
10. Always mow grass so that clippings are discharged onto cut lawn. This will keep your lawn looking fresh by avoiding "Cut Grass" build-up which will eventually brown and appear ugly. This method also preserves your battery charge, ensuring you get the most from your Black & Decker Cordless Power Mower.
11. During the spring and fall seasons when the grass is longer and thicker, you can use your mower without it being fully recharged. (i.e. green charge indication light is on). This will enable you to

perform short cutting tasks, but we don't recommend this be done frequently. The battery and mower perform much better if charged fully.

## SAVE THESE INSTRUCTIONS FOR FUTURE USE

### Service Information

All Black & Decker Service Centers are staffed with trained personnel to provide customers with efficient and reliable power tool service. Whether you need technical advice, repair, or genuine factory replacement parts, contact the Black & Decker location nearest you. To find your local service location, refer to the yellow page directory under "Tools—Electric" or call: **1-800-544-6986** or visit **www.blackanddecker.com**

### WARRANTIES

#### Full Two-Year Home Use Warranty

Black & Decker (U.S.) Inc. warrants this product for two years against any defects in material or workmanship. The defective product will be replaced or repaired at no charge in either of two ways.

The first, which will result in exchanges only, is to return the product to the retailer from whom it was purchased (provided that the store is a participating retailer). Returns should be made within the time period of the retailer's policy for exchanges (usually 30 to 90 days after the sale). Proof of purchase may be required. Please check with the retailer for their specific return policy regarding returns that are beyond the time set for exchanges.

The second option is to take or send the product (prepaid) to a Black & Decker owned or authorized Service Center for repair or replacement at our option. Proof of purchase may be required. Black & Decker owned and authorized Service Centers are listed under "Tools-Electric" in the yellow pages of the phone directory.

This warranty does not apply to accessories. This warranty gives you specific legal rights and you may have other rights which vary from state to state or province to province. Should you have any questions, contact the manager of your nearest Black & Decker Service Center. This product is not intended for commercial use.

**FREE WARNING LABEL REPLACEMENT:** If your warning labels become illegible or are missing, call **1-800-544-6986** for a free replacement.

#### Deck Warranty

Lifetime Warranty for DECK only against any defects in material or workmanship.

This product is not intended for commercial use.



# **TROUBLE SHOOTING GUIDE**

<u><b>PROBLEM</b></u>	<u><b>SOLUTION</b></u>
1. Mower doesn't run when switch lever is activated.	<p>A. Check to make sure safety key has been installed and is fully seated.</p> <p>B. Release switch lever to turn mower off. Remove safety key, turn mower over and check that blade is free to turn.</p> <p>C. Has battery been fully charged? Plug in charger and wait for green light to come on.</p>
2. Motor stops while mowing.	<p>A. Release switch lever to turn mower off. Remove safety key. Turn mower over and check that blade is free to turn.</p> <p>B. Raise cutting height of wheels to highest position and start mower.</p> <p>C. Has battery been fully charged? Plug in charger and wait for green light to come on.</p> <p>D. Circuit breaker may have tripped. It resets automatically. Re-set time could be as long as 1 minute. Slow down or raise cut height.</p>
3. Mower runs but cutting performance is unsatisfactory or does not cut entire lawn.	<p>A. Has battery been fully charged? Plug in charger and wait for green light to come on."</p> <p>B. Release switch lever to turn mower off. Remove safety key. Turn mower over and check:            *Blade for sharpness            *Deck and discharge chute for clogging.</p> <p>C. Wheel height adjustment may be set too low for grass condition. Raise cutting height.</p>
4. Mower is too hard to push.	<p>A. Raise cutting height to reduce deck drag on grass. Check each wheel for free rotation.</p>
5. Mower is abnormally noisy and vibrates.	<p>A. Release switch lever to turn mower off. Remove safety key. Turn mower on side and check blade to ensure it has not been bent or damaged. If blade is damaged, replace with a Black &amp; Decker replacement blade. If the underside of the deck is damaged return mower to a Black &amp; Decker Authorized service center.</p> <p>B. If there is no visible damage to the blade and the mower still vibrates: Release switch lever to turn mower off, remove safety key and remove blade. Rotate blade 180 degrees and retighten. If mower still vibrates, return the mower to an authorized Black &amp; Decker service center.</p>


## **NOTE**

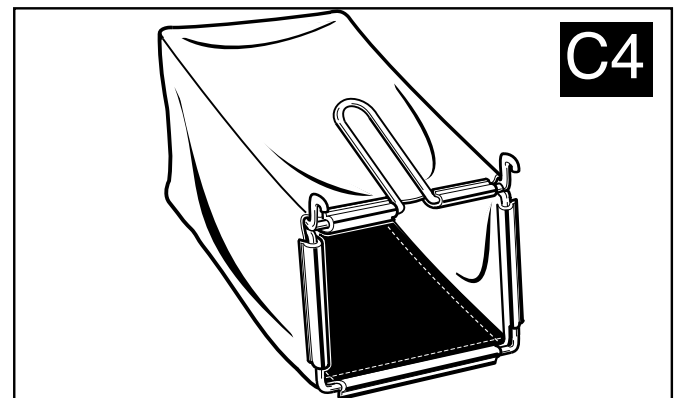
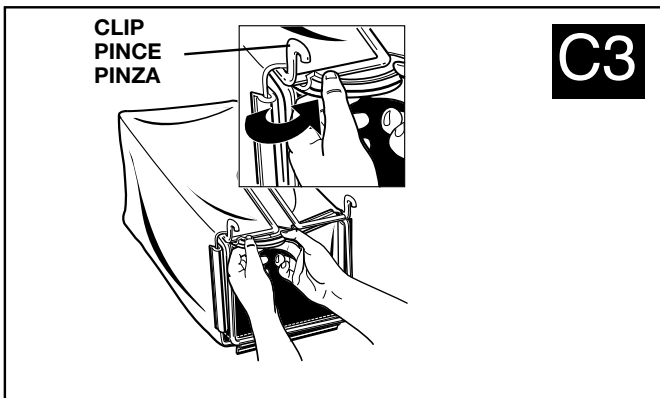
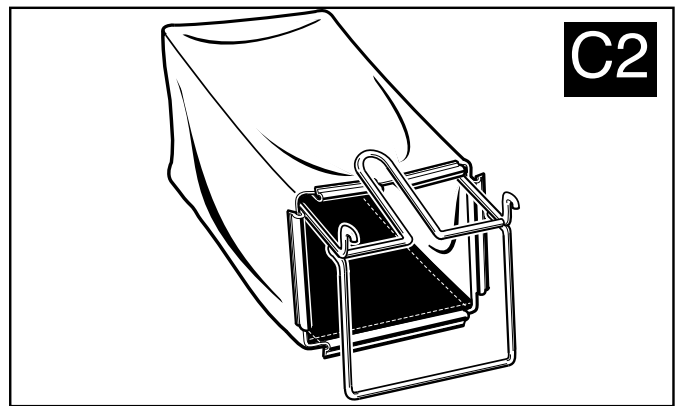
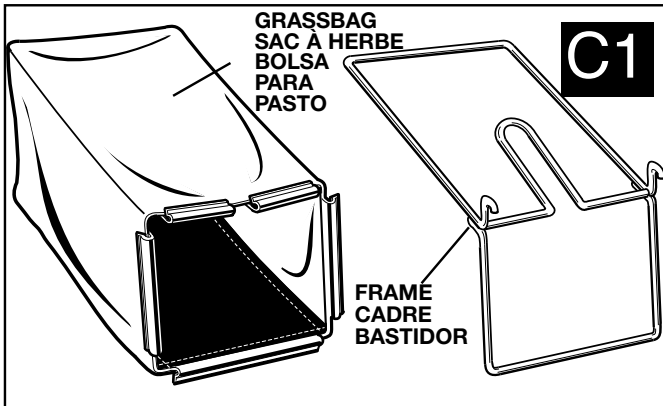
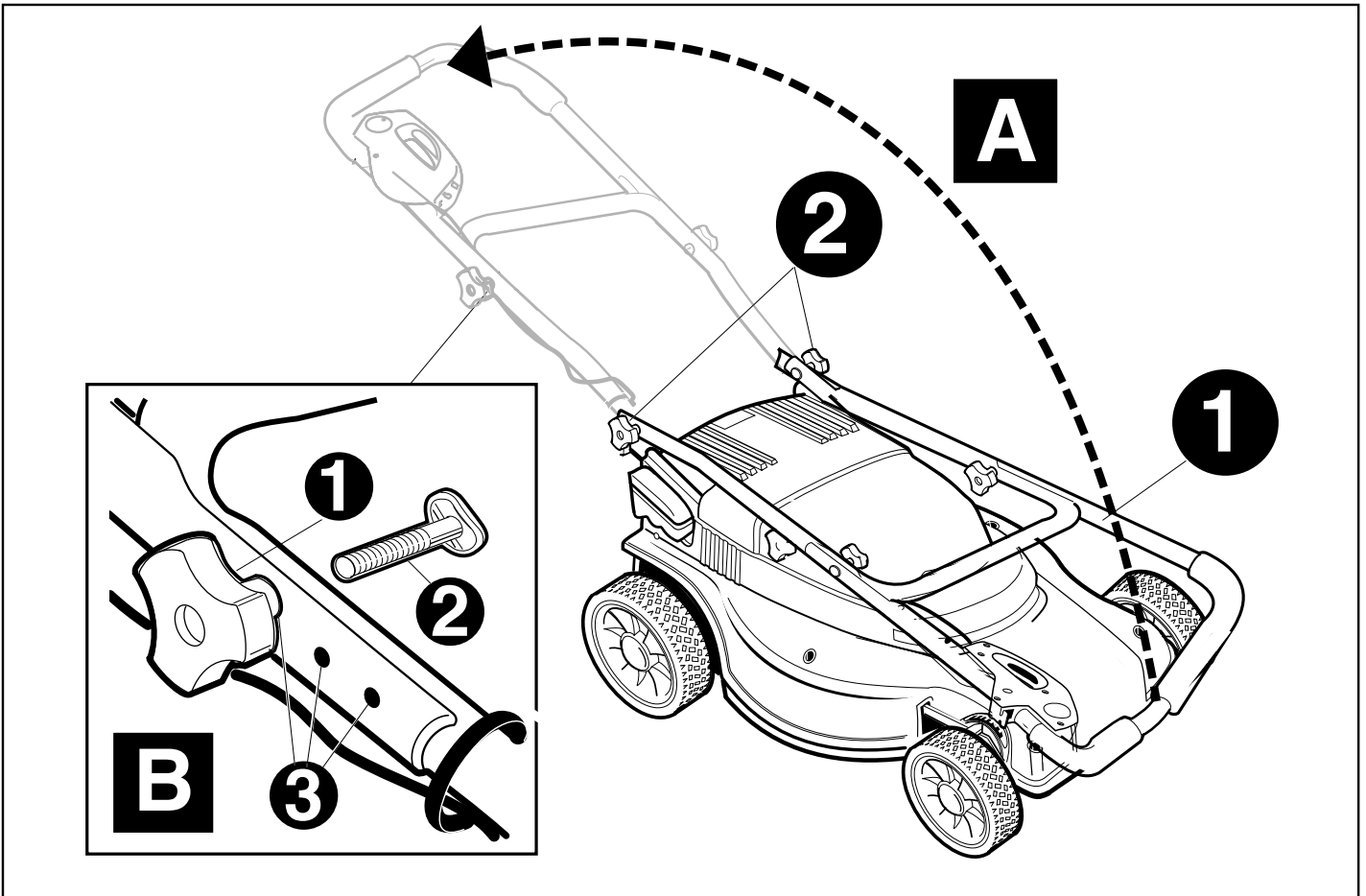
Should the red light remain on after charging the battery for 24 hours on initial charge, the mower can still be used. The battery may need to be "conditioned" requiring a few battery charge and discharge cycles before the green indicator light comes on.

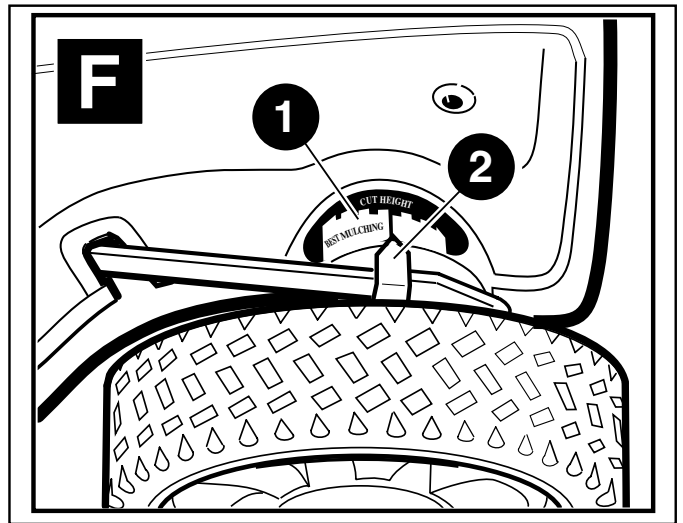
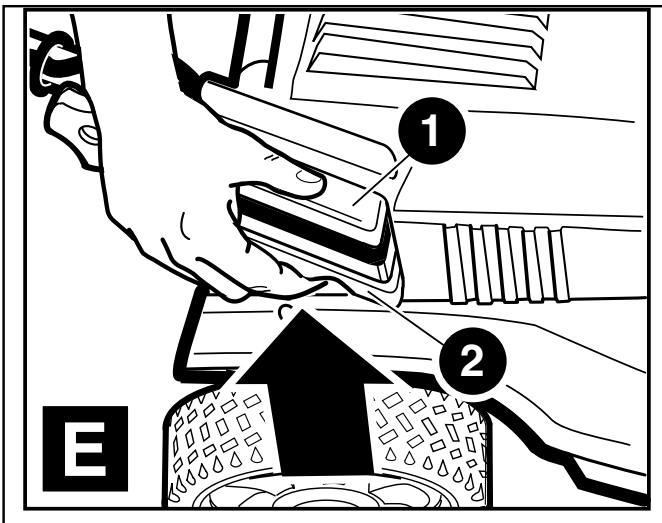
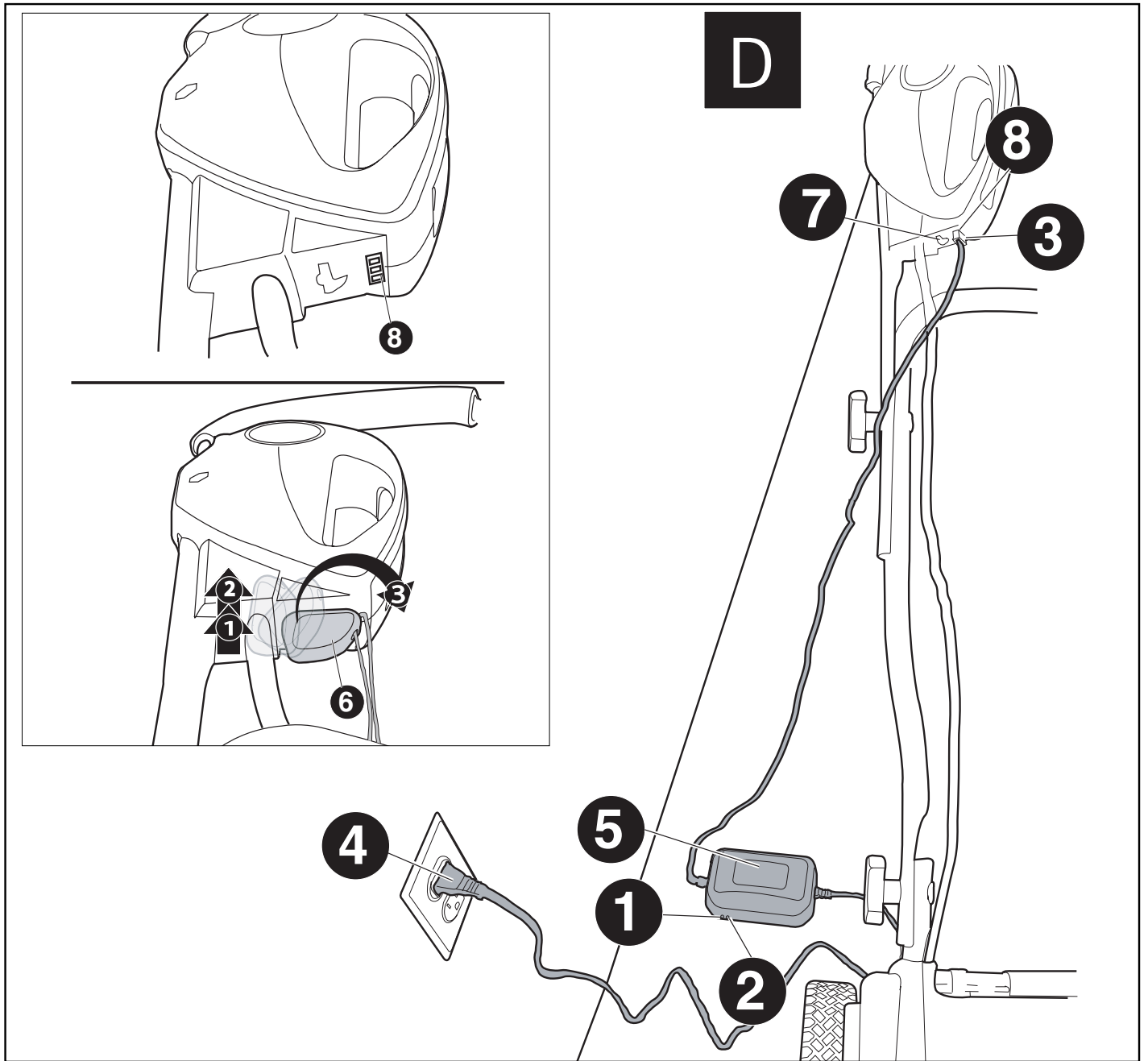
**THIS IS ONLY A GUIDE INTENDED TO ENABLE YOU TO PERFORM VISUAL CHECKS AND SIMPLE TESTS. SHOULD NONE OF THE SOLUTIONS PROVIDE SATISFACTION OR IMPROVE PERFORMANCE CALL 1-800-544-6986 (1-800-54-HOW-TO) TO SPEAK TO A CONSUMER SERVICE REPRESENTATIVE OR TAKE THIS MOWER TO THE CLOSEST AUTHORIZED BLACK & DECKER SERVICE CENTER FOR SERVICING.**

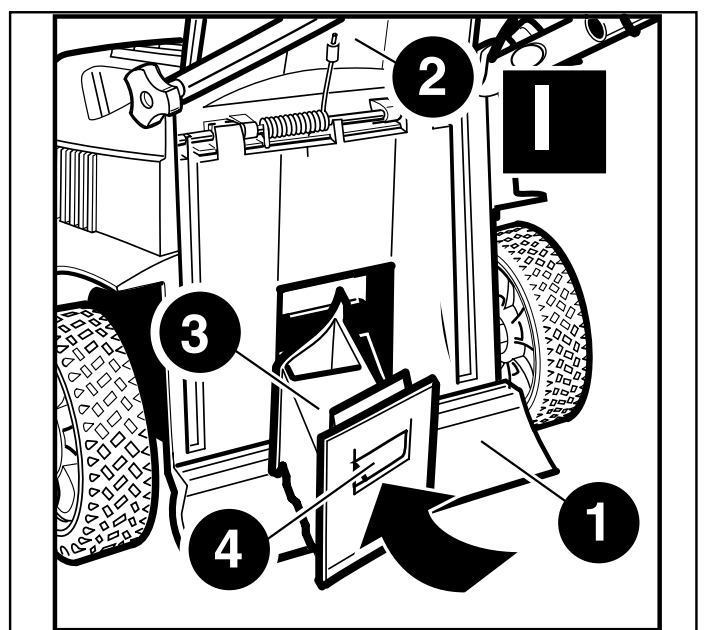
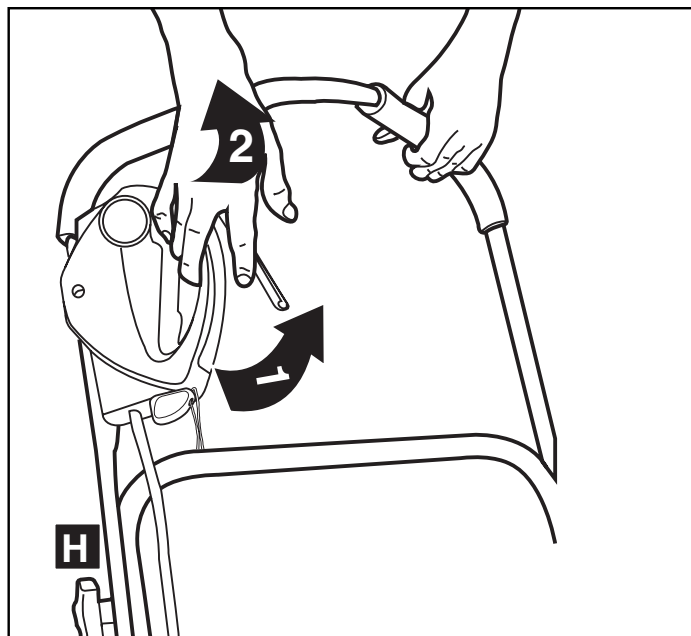
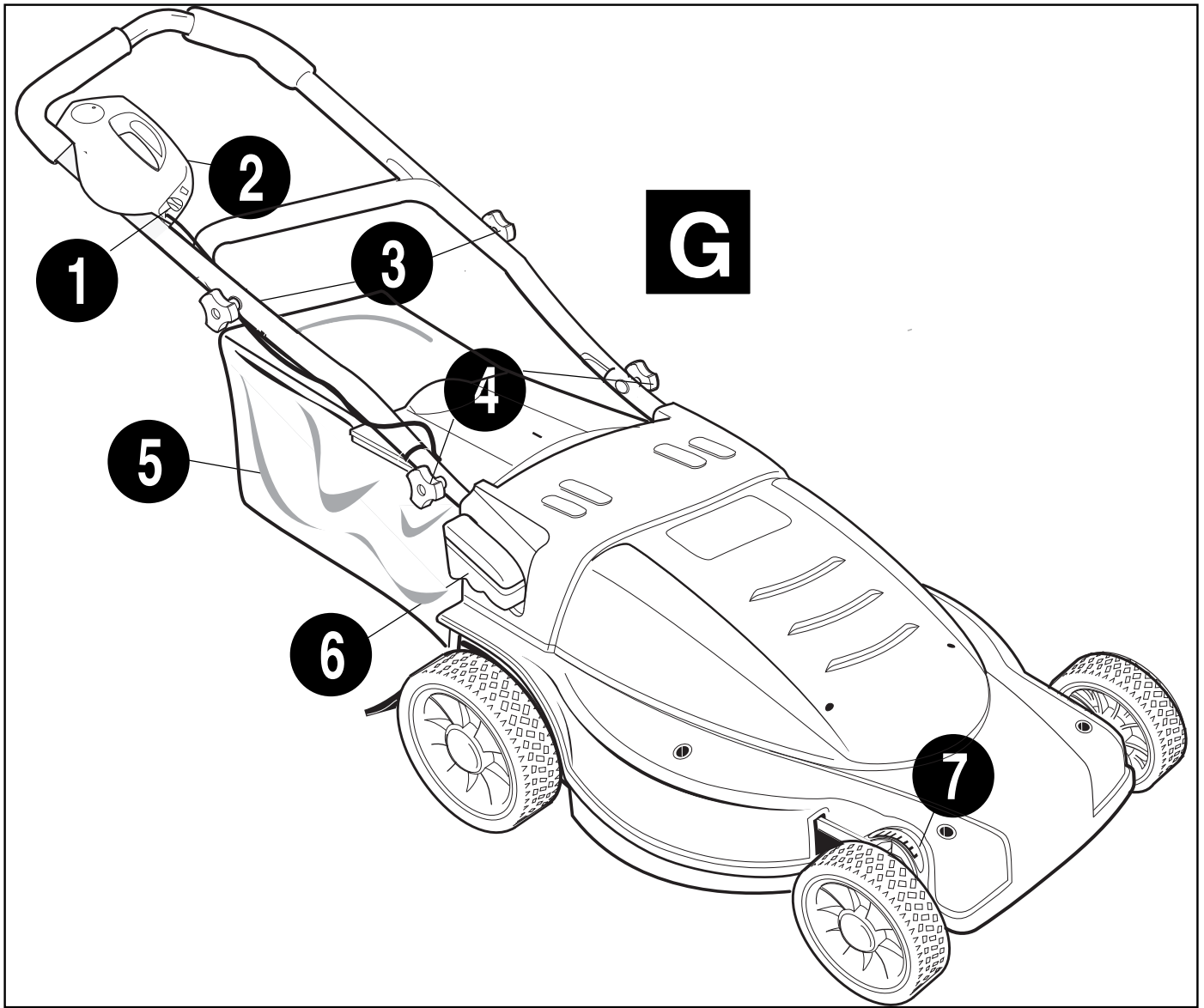
Black & Decker (U.S.) Inc.,  
701 E. Joppa Rd.  
Towson, MD 21286 U.S.A.

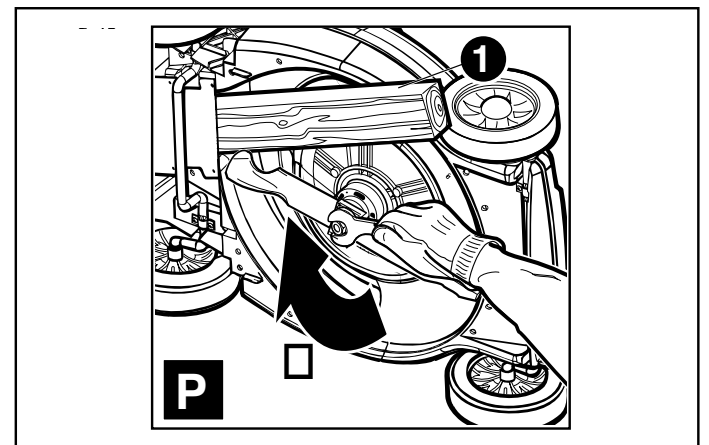
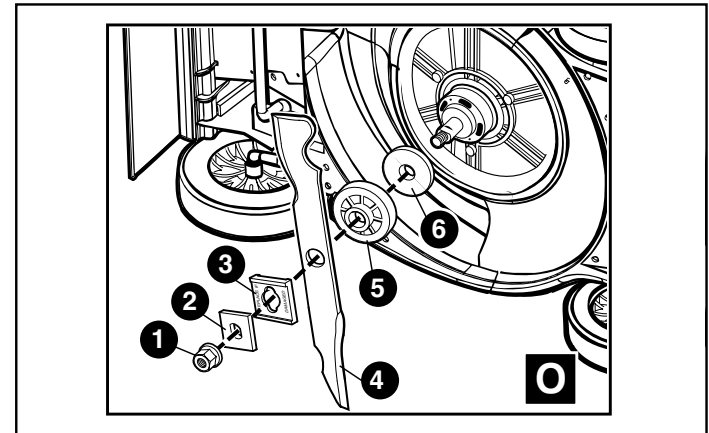
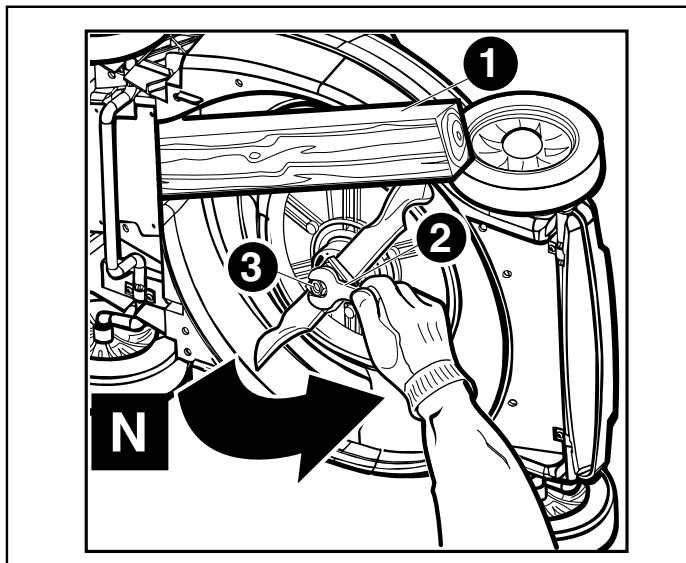
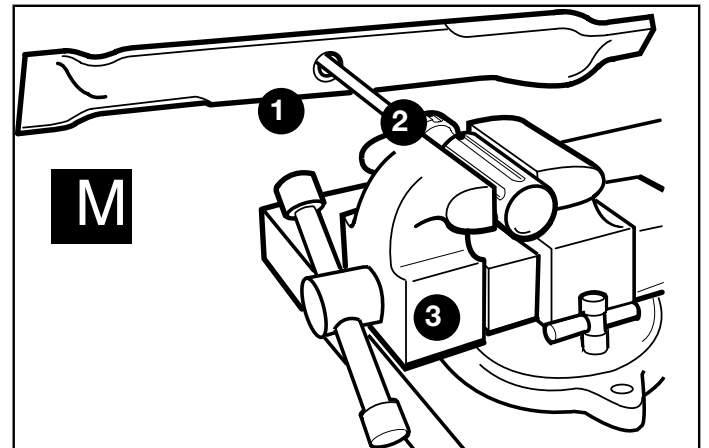
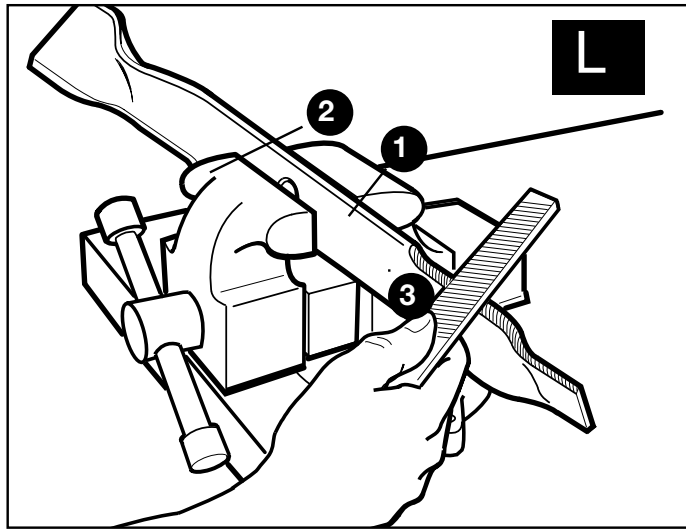
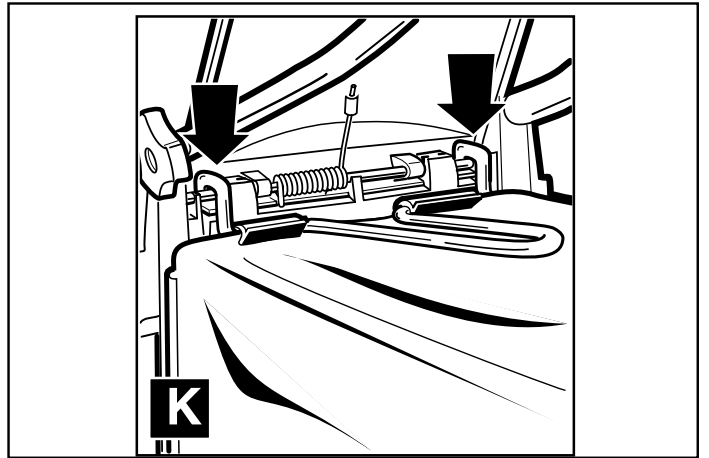
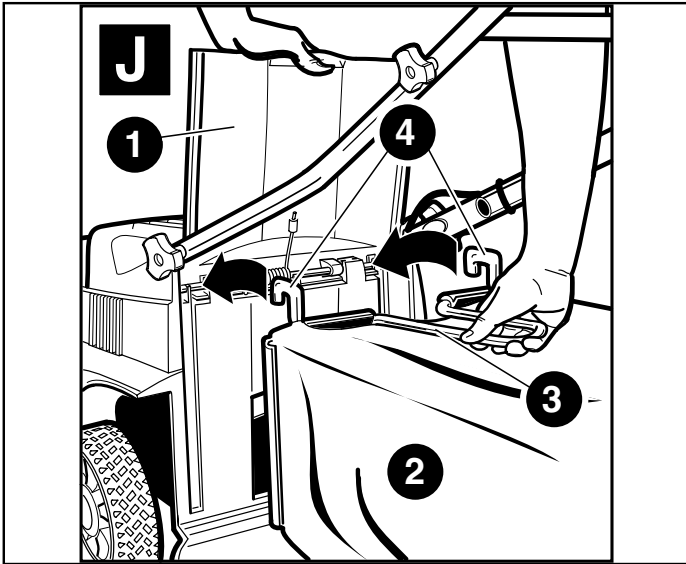


See 'Tools-Electric'  
- Yellow Pages -  
for Service & Sales 









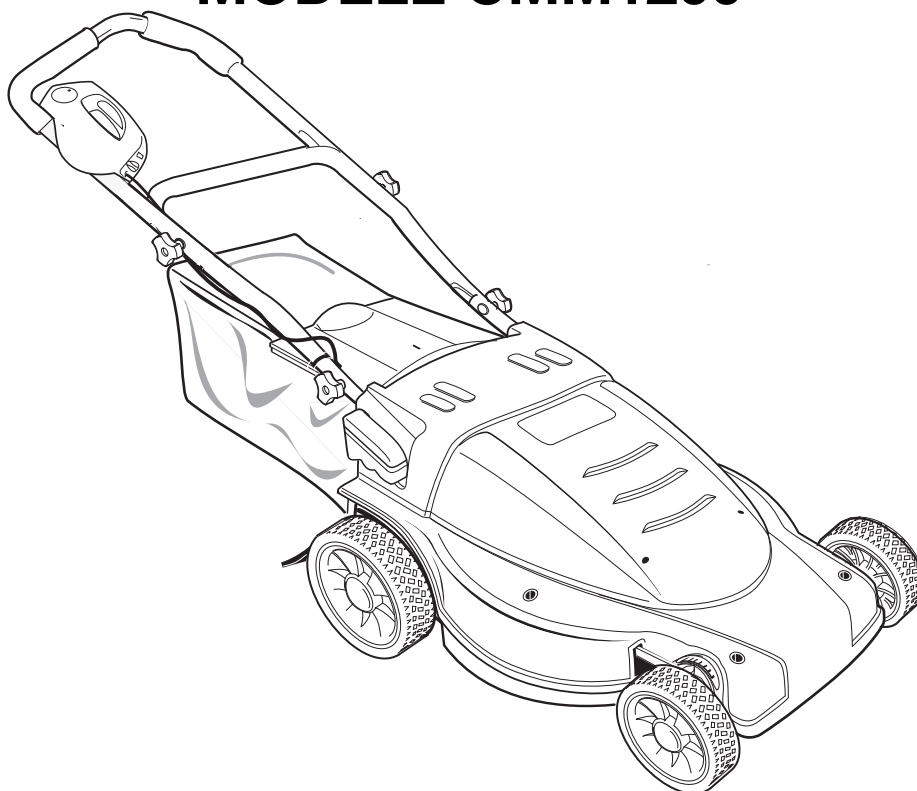


FRANÇAIS

# Tondeuse-déchiqueteuse sans fil de 483 mm (19 po) avec bac arrière

## GUIDE D'UTILISATION

### MODÈLE CMM1200



#### VOICI DES RENSEIGNEMENTS IMPORTANTS QU'IL VOUS FAUT CONNAÎTRE :

- Ne pas utiliser la tondeuse si la poignée n'est pas bloquée en position.
- Pour une meilleure coupe, maintenir la lame aiguisée et équilibrée.
- Examiner et nettoyer soigneusement la tondeuse après chaque utilisation (du gazon adhérent au châssis peut réduire le rendement).
- S'assurer que la surface à tondre est à l'écart de toute personne ou animal de compagnie avant de démarrer la tondeuse et en cours d'utilisation.

**CONSERVER CE MANUEL POUR UN USAGE ULTÉRIEUR**

MERCI D'AVOIR CHOISI BLACK & DECKER !  
VISITEZ  
[WWW.BLACKANDDECKER.COM/NEWOWNER](http://WWW.BLACKANDDECKER.COM/NEWOWNER)  
POUR ENREGISTRER VOTRE NOUVEAU  
PRODUIT.

**AVANT DE RETOURNER CE PRODUIT  
POUR QUELQUE RAISON QUE CE SOIT,  
COMPOSER LE  
1-800-544-6986**

AVANT D'APPELER, AYEZ EN MAIN LE N° DE CATALOGUE ET LE CODE DE DATE.  
DANS LA PLUPART DES CAS, UN REPRÉSENTANT DE BLACK & DECKER PEUT  
RÉSOLVRE LE PROBLÈME PAR TÉLÉPHONE. SI VOUS AVEZ UNE SUGGESTION  
OU UN COMMENTAIRE, APPELÉ-NOUS. VOS  
IMPRESSIONS SONT CRUCIALES POUR BLACK & DECKER.

**⚠ LIGNES DIRECTRICES EN MATIÈRE DE SÉCURITÉ  
- DÉFINITIONS**

Il est important de lire et de comprendre ce mode d'emploi. Les informations qu'il contient concernent VOTRE SÉCURITÉ et visent à ÉVITER TOUT PROBLÈME. Les symboles ci-dessous servent à aider à reconnaître cette information.

**⚠ DANGER** : indique une situation dangereuse imminente qui, si elle n'est pas évitée, entraînera la mort ou des blessures graves.

**⚠ AVERTISSEMENT** : indique une situation potentiellement dangereuse qui, si elle n'est pas évitée, pourrait entraîner la mort ou des blessures graves.

**⚠ MISE EN GARDE** : indique une situation potentiellement dangereuse qui, si elle n'est pas évitée, pourrait entraîner des blessures légères ou modérées.

**⚠ MISE EN GARDE** : utilisé sans le symbole d'alerte à la sécurité, indique une situation potentiellement dangereuse qui, si elle n'est pas évitée, pourrait entraîner des dommages matériels.

**Les explications suivantes adressent les risques posés par la tondeuse.**



1. L'utilisateur doit lire et comprendre toutes les directives con tenues dans ce manuel.



2. Pour réduire tout risque de blessure grave, ne pas tondre parallèlement à une pente. Tondre toujours perpendiculairement à une pente.



3. Pour éliminer tout risque de blesser quelqu'un, éloigner toute personne ou animal de la tondeuse pendant son utilisation.



4. Des lames en mouvement (rotation) risquent de provoquer de graves blessures. Tenir les mains et les pieds éloignés du châssis et de l'ouverture de décharge de la tondeuse. Toujours s'assurer que la lame s'est arrêtée (attendre la fin de la rotation de la lame, soit environ 3 secondes après avoir relâché la manette du manoccontacteur et retiré la clé de sûreté) avant de retirer et de replacer le collecteur d'herbe, de nettoyer, d'entretenir, de transporter ou de soulever la tondeuse.



5. Les objets percuteurs par la lame de la tondeuse peuvent provoquer de graves blessures. Se tenir derrière la poignée lorsque le moteur tourne. Toujours s'assurer que les personnes et les animaux de compagnie sont loin de la décharge de la tondeuse lors de son fonctionnement. Toujours inspecter la surface à tondre avant de commencer et retirer tout objet qui pourrait être projeté par la lame. Relâcher la manette du manoccontacteur pour éteindre la tondeuse et attendre que la lame s'immobilise (environ 3 secondes) avant de traverser une allée, des routes, des petites cours et des allées gravelées.

**⚠ AVERTISSEMENT : AVERTISSEMENTS DE SÉCURITÉ ET DIRECTIVES IMPORTANTES**

**⚠ AVERTISSEMENT** : si des outils électriques de jardinage sont utilisés, des précautions de base en matière de sécurité doivent être suivies afin de réduire le risque d'incendie, de choc électrique et de blessure corporelle, notamment les suivantes.

**LIRE TOUTES CES DIRECTIVES**

**RÉDUCTION DES RISQUES ET DES BLESSURES :**

- Avant tout usage, s'assurer que tout utilisateur de cet outil lise et comprenne toutes les consignes de sécurité ainsi que toute autre information comprise dans le présent mode d'emploi.
- Conserver ces directives et les passer fréquemment en revue avant d'utiliser l'appareil ou de donner des directives aux autres.

**⚠ DANGER MESURES DE SÉCURITÉ IMPORTANTES POUR TONDEUSE À CONDUCTEUR ACCOMPAGNANT**

Cette tondeuse à gazon peut amputer les bras et les jambes et projeter des objets. Le non-respect des directives de sécurité ci-dessous peut provoquer de sérieuses blessures ou un décès.

**UTILISATION GÉNÉRALE**

1. Lire, comprendre et respecter les directives figurant sur la tondeuse et dans le mode d'emploi avant de commencer.
2. Ne pas approcher les mains ou les pieds de la tondeuse ou de sa partie inférieure. Toujours se tenir à l'écart de l'ouverture d'éjection.
3. Ne permettre qu'à des adultes responsables, familiers de ces directives, d'utiliser cette tondeuse.
4. Débarrasser la zone à tondre des objets tels les pierres, les tiges, les fils, les jouets, les os, etc., qui pourraient être projetés par la lame. Les objets heurtés par la lame peuvent causer de sévères blessures à des personnes. Se tenir derrière la poignée lorsque le moteur tourne.
5. S'assurer qu'il n'y a personne à proximité de la tondeuse avant l'utilisation. Tenir les curieux et les animaux à une distance sûre. Arrêter la tondeuse si quelqu'un pénètre dans la zone de tonte.
6. Ne pas utiliser l'appareil avec les pieds nus ou des sandales. Toujours mettre des chaussures épaisses.
7. Ne pas tirer la tondeuse vers l'arrière sauf en cas d'absolue nécessité. Regarder vers le bas et derrière soi avant et pendant tout déplacement en marche arrière.
8. Ne jamais diriger l'éjection en direction d'une personne. Éviter d'éjecter les substances contre un mur ou un obstacle. Les substances pourraient ricocher vers l'opérateur. Dégager la manette de l'interrupteur pour éteindre la tondeuse et arrêter la lame lorsque vous traversez une zone de gravier.
9. Ne pas utiliser la tondeuse sans installer le collecteur d'herbe, la protection de l'éjecteur, la protection arrière ou toute autre protection de sécurité en place et qui fonctionne. Vérifier régulièrement toutes les protections et tous les dispositifs de sûreté pour s'assurer qu'ils sont en bon état de fonctionnement afin d'assurer un fonctionnement adéquat selon sa fonction prévue. Remplacer toute protection ou autre dispositif de sûreté endommagé avant l'utilisation.
10. Ne jamais laisser une tondeuse en marche sans surveillance.
11. Toujours dégager la manette de commutation pour couper le moteur, attendre que la lame s'immobilise complètement et débrancher la tondeuse avant de nettoyer l'appareil, enlever le collecteur d'herbes, déboucher la protection de l'éjecteur avant de laisser la tondeuse ou avant tout réglage, dépannage ou vérification.
12. N'utiliser la tondeuse qu'à la lumière du jour ou avec un bon éclairage artificiel lorsque les objets situés dans le champ de la lame sont clairement visibles à partir du point d'opération de la tondeuse.
13. Ne pas utiliser la tondeuse sous l'emprise de l'alcool ou de drogues ou en cas de fatigue ou de maladie. Demeurer vigilant, surveiller le travail effectué, et faire preuve de jugement.
14. Éviter les conditions environnementales dangereuses. Ne jamais utiliser la tondeuse dans des endroits humides ou mouillés et ne jamais l'utiliser sous la pluie. Toujours s'assurer d'avoir le pied sûr; marcher; ne jamais courir.
15. Désengager le système d'entraînement, le cas échéant, avant de démarrer le moteur.
16. Si la tondeuse se met à vibrer de façon anormale, relâcher la manette du manoccontacteur, attendre que la lame s'immobilise et retirer la clé de sûreté, puis en rechercher immédiatement la raison. Une vibration signale généralement un problème.
17. Toujours mettre une protection respiratoire et pour les yeux durant l'utilisation de la tondeuse.

- L'utilisation de tout accessoire ou pièce non recommandés avec cette tondeuse s'avérer dangereuse. N'utiliser que les accessoires approuvés par Black & Decker.
- Ne jamais trop tendre les bras en utilisant la tondeuse. Toujours s'assurer de conserver son équilibre à tout moment au cours de l'utilisation de la tondeuse.

## UTILISATION SUR UNE PENTE

Les pentes sont un facteur majeur de glissades et de chutes, qui peuvent entraîner de graves blessures. L'utilisation sur toutes les pentes demande une attention particulière. Ne pas tondre une pente sur laquelle on ne se sent pas à l'aise.

- Tondre les pentes en diagonale, jamais de haut en bas. Être extrêmement prudent lors des virages sur les pentes.
- Faire attention aux trous, ornières, rebonds, pierres ou autres objets cachés. Une surface inégale peut provoquer une glissade ou une chute. Une herbe haute peut cacher des obstacles.
- Ne pas tondre une herbe mouillée ou des pentes excessivement escarpées. Un équilibre instable peut provoquer une glissade ou une chute.
- Ne pas tondre près des falaises, des fossés ou des talus. Il y a un risque de perdre sa stabilité ou son équilibre.

## ENFANTS

Des incidents tragiques peuvent survenir si l'opérateur n'est pas vigilant en présence d'enfants. Les enfants sont parfois attirés par la tondeuse et l'opération de tonte. Ne jamais supposer qu'un enfant est resté au dernier endroit où il a été vu.

- Tenir les enfants à l'écart de la zone de tonte et sous la surveillance attentive d'un adulte responsable autre que l'opérateur.
- Rester vigilant et arrêter la tondeuse si un enfant pénètre dans la zone.
- Ne jamais laisser un enfant utiliser la machine.
- Être très prudent aux environs des virages, arbustes, arbres ou autres objets qui peuvent vous empêcher de voir un enfant.

## RÉVISION GÉNÉRALE

- Ne jamais utiliser la tondeuse dans un endroit clos.
- Maintenir tous les écrous et les boulons serrés pour s'assurer que le matériel est en bon état de fonctionnement.
- Ne jamais altérer le dispositif de sécurité. S'assurer régulièrement de son fonctionnement adéquat.
- Éviter l'accumulation d'herbe, de feuilles et d'autres débris sur la tondeuse. Laisser la tondeuse refroidir avant de la stocker.
- En cas de choc contre un obstacle, dégager la manette de l'interrupteur pour éteindre la tondeuse, attendre que la lame s'immobilise puis retirer la clé de sûreté et examiner la tondeuse. Réparer tout dommage avant de démarrer et d'utiliser la tondeuse.
- Ne jamais effectuer de réglages ou de réparations lorsque le moteur est en marche ni lorsque la tondeuse est branchée.
- Toujours débrancher la tondeuse électrique avant les réglages, le nettoyage, le dépannage, l'inspection, le transport, le stockage, ou avant de la laisser.
- Contrôler régulièrement les composants du collecteur d'herbes et la protection de l'éjecteur et en cas de besoin n'utiliser que des pièces de rechanges recommandées par Black & Decker.
- Les lames de tondeuses sont tranchantes. Recouvrir la lame ou mettre des gants, et être très prudent lors de l'entretien.
- Prendre soin ou remplacer les étiquettes et les directives de sécurité, au besoin.

## ⚠ AVERTISSEMENT : AVERTISSEMENTS ET DIRECTIVES DE SÉCURITÉ GÉNÉRALE POUR TOUS LES OUTILS

- CET OUTIL PEUT ÊTRE DANGEREUX.** Respecter tous les avertissements et directives de sécurité contenues dans ce manuel. L'opérateur est responsable du respect des avertissements et directives de sécurité contenus dans ce manuel et indiqués sur la machine. Restreindre l'usage de cette tondeuse à des personnes capables de lire, de comprendre et de respecter les avertissements et directives de sécurité contenus dans ce manuel et indiqués sur la machine.
- RANGER LA TONDEUSE INUTILISÉE À L'INTÉRIEUR.** Toujours ranger la tondeuse sans la clé de sûreté. Lorsqu'elles ne sont pas utilisées, les tondeuses doivent être rangées à l'intérieur dans un local sec et verrouillé - hors de la portée des enfants.
- NE PAS FORCER LA TONDEUSE.** Elle fera un meilleur travail à la vitesse pour laquelle elle a été conçue, et ce, sans risque de blessure.
- UTILISER L'APPAREIL ÉLECTRIQUE APPROPRIÉ.** Ne pas utiliser la tondeuse pour une autre application que celle pour laquelle elle a été prévue.

- S'HABILLER DE MANIÈRE APPROPRIÉE.** Ne pas porter de vêtements amples ni de bijoux. Ils peuvent s'enchevêtrer dans les pièces mobiles. Des gants de caoutchouc, des pantalons longs et des chaussures antidérapantes sont recommandés pour les travaux à l'extérieur.

- UTILISER DES LUNETTES DE SÉCURITÉ ET TOUT AUTRE ÉQUIPEMENT DE SÉCURITÉ.** Utiliser des lunettes de sécurité munies de protecteurs latéraux conformes aux normes en matière de sécurité et, le cas échéant, un protecteur facial. Utiliser également un masque facial ou anti-poussières si l'opération génère de la poussière. Ces directives s'appliquent à toutes les personnes dans la zone de travail. Utiliser aussi un casque de sécurité, des protecteurs auditifs, des gants, des chaussures sécuritaires et des systèmes de dépoussiérage lorsque prévus ou exigés. Des lunettes de sécurité et accessoires similaires sont disponibles pour l'achat chez votre détaillant ou à votre centre de réparation Black & Decker.

- NE PAS UTILISER LE CORDON D'ALIMENTATION DE FAÇON ABUSIVE** Ne jamais transporter la tondeuse par son cordon ou tirer sur ce dernier pour le débrancher du réceptacle. Tenir le cordon éloigné de la chaleur, de l'huile et des bords tranchants.

- PRENDRE SOIN DE LA TONDEUSE.** Maintenir les arêtes de coupe tranchantes et propres afin d'assurer la meilleure performance et pour réduire le risque de blessures. Suivre les consignes de graissage et de changement d'accessoires. Inspecter régulièrement le cordon de la tondeuse, en cas de dommage, en confier la réparation à un centre de réparation autorisé. Maintenir les poignées sèches, propres et exemptes d'huile et de graisse.

- ÉVITER UN RISQUE DE DÉMARRAGE ACCIDENTEL.** Ne pas transporter la tondeuse avec la clé de sûreté engagée dans le contact. S'assurer que la manette du manostat n'est pas engagée lors de l'insertion de la clé de sûreté.

- AVANT UTILISATION,** toujours effectuer un examen visuel pour s'assurer que la lame, les attaches de la lame et le module de coupe ne sont pas usés ou endommagés. Réparer ou remplacer les lames et les attaches endommagées en même temps, pour maintenir l'équilibre. Examiner le cordon de la tondeuse - s'assurer qu'elle est en bon état. L'isolation du cordon doit être intacte, sans fissures ni brèches.

### UTILISATION DE RALLONGES

S'assurer que la rallonge est en bon état avant de l'utiliser. Toujours utiliser une rallonge de calibre approprié avec l'outil, c'est-à-dire un calibre de fil approprié pour des cordons de diverses longueurs et dont l'intensité est suffisante pour transporter le courant débité par l'outil. L'utilisation d'un cordon de calibre inférieur causera une chute de tension de ligne et donc une perte de puissance et une surchauffe. Pour connaître les cordons de bon calibre à utiliser, consulter le tableau suivant.

Calibre minimal des cordons de rallonge					
Tension	Longueur totale du cordon en pieds				
120V	0-25	26-50	51-100	101-150	
	(0-7,6m)	(7,6-15,2m)	(15,2-30,4m)	(30,4-45,7m)	
240V	0-50	51-100	101-200	201-300	
	(0-15,2m)	(15,2-30,4m)	(30,4-60,9m)	(60,9-91,4m)	
Intensité (A)					
Au moins	Au plus	Calibre moyen des fils (AWG)			
0	6	18	16	16	14
6	10	18	16	14	12
10	12	16	16	14	12
12	16	14	12	Non recommandé	

- VÉRIFIER QUE LES PIÈCES NE SONT PAS ENDOMMAGÉES.** Si un dispositif de protection, ou toute autre pièce, est endommagé, il faut faire examiner soigneusement l'outil, avant toute utilisation ultérieure, afin d'assurer un fonctionnement adéquat selon sa fonction prévue. Vérifier l'alignement des pièces mobiles, la présence de grippage des pièces mobiles et de rupture de pièces, l'assemblage et tout autre problème pouvant nuire au fonctionnement de l'outil. Un dispositif de protection endommagé, ou toute autre pièce endommagée, doit être réparé ou remplacé adéquatement par un centre de réparation autorisé à moins d'un avis contraire indiqué dans le présent mode d'emploi.

- RÉPARATIONS ET ENTRETIEN.** Les réparations, l'entretien et tout réglage non précisés dans ce mode d'emploi devraient être effectués à un centre de réparation autorisé Black & Decker ou à tout autre centre de réparation professionnel. Utiliser toujours des pièces de rechange identiques.

## ⚠ DANGER : AVERTISSEMENTS SUPPLÉMENTAIRES POUR TONDEUSES

- TOUJOURS** tenir fermement la poignée à deux mains durant l'utilisation de la tondeuse.



- **NE JAMAIS** mettre d'écouteur de radio ou de musique pendant l'utilisation de la tondeuse.
- **ATTACHER** les cheveux longs.
- **NE JAMAIS** essayer d'ajuster la hauteur des roues avec le moteur en marche ou lorsque la clé de sûreté est engagée dans le contact.
- **SI LA TONDEUSE** se bloque, relâcher la manette du manoccontacteur pour éteindre la tondeuse, attendre l'immobilisation de la lame et retirer la clé de sûreté avant de désencrasser la goulotte ou d'enlever ce qui se trouve sous le châssis.
- **TENIR LES MAINS** et les pieds éloignés de la zone de coupe.
- **MAINTENIR LES LAMES** affûtées. Toujours mettre des gants de protection en manipulant la lame de la tondeuse.
- **EN CAS** d'utilisation d'un collecteur d'herbe, le vérifier régulièrement pour détecter l'usure et les dommages. En cas d'usure excessive, remplacer avec un nouveau sac pour votre sécurité.
- **FAIRE TRÈS ATTENTION** au cours d'une marche arrière ou en tirant la tondeuse vers vous.

**⚠ AVERTISSEMENT :** certaines poussières produites par ce produit contiennent des produits chimiques identifiés par l'État de Californie comme pouvant causer le cancer, des anomalies congénitales et d'autres dangers pour la reproduction. Voici quelques exemples de ces produits chimiques :

- composés présents dans les engrais
- composés présents dans les insecticides, herbicides et pesticides
- arsenic et chrome provenant de bois traité chimiquement

Afin de réduire votre exposition à ces produits chimiques, utiliser un équipement de sécurité approuvé comme un masque anti-poussières spécialement conçu pour filtrer les particules microscopiques.

## PRÉPARATION

**SE REPORTER AUX DIAGRAMMES (A, B, C...) ET AUX NUMÉROS D'ARTICLE (1, 2, 3...) TELS QU'INDIQUÉS DANS CE MODE D'EMPLOI. PAR EXEMPLE, A-1 IDENTIFIE L'ARTICLE 1 DE L'ILLUSTRATION A.**

## DÉSEMBALLAGE

La tondeuse est entièrement assemblée en usine, sauf pour le collecteur d'herbe. La tondeuse sans fil Black & Decker est livrée avec une batterie entièrement assemblée et prête à l'utilisation.

### Retrait de la tondeuse hors de l'emballage :

1. Retirer le cadre du collecteur d'herbe et le carton de remplissage.
2. Retirer la tondeuse de l'emballage et la déposer sur ses quatre roues sur le sol ou un plancher.
3. Vérifier minutieusement l'emballage à la recherche de toute pièce qui pourrait s'y trouver.

### Déploiement de la poignée :

Relever la section A-1 de la poignée, puis la fixer en serrant les deux boutons inférieurs A-2. Prendre soin de ne pas pincer le cordon d'alimentation.

### ⚠ DANGER : lame tranchante en mouvement.

Pour votre propre sécurité, NE PAS utiliser cette tondeuse sans le collecteur d'herbe, l'insert de déchetage ou la goulotte de vidange, offerte en option, en position de fonctionnement. Une telle pratique peut entraîner de graves blessures.

## MONTAGE DU COLLECTEUR D'HERBE (ILLUSTRATIONS C1, C2, C3 ET C4)

1. Avant d'assembler le collecteur d'herbe au cadre, vérifier que le collecteur d'herbe et le cadre sont semblables à ceux de l'illustration C1.
2. Enfiler le collecteur d'herbe sur le cadre comme indiqué à l'illustration C2.
3. Insérer les pinces supérieures sur le cadre comme indiqué à l'illustration C3, puis les deux pinces latérales et terminer avec la pince inférieure.
4. Le collecteur d'herbe entièrement assemblé est illustré à l'illustration C4.

## RÉGLAGE DE LA POIGNÉE

La tondeuse comporte une poignée réglable à hauteurs variables. Pour régler la position de la poignée à la hauteur souhaitée, procéder comme suit :

1. Retirer les deux boutons B-1 de la section centrale du guidon et les boulons à sellette B-2.
2. Faire coulisser la poignée supérieure à l'une des trois positions B-3 de réglage. Aligner les trous des poignées supérieures et inférieures.
3. Insérer les boulons à sellette, puis installer les boutons. Bien visser le tout. Toujours placer les boutons vers l'extérieur des poignées pour éviter toute interférence avec le panneau arrière et le collecteur d'herbe.

## RÉGLAGE DE LA HAUTEUR DES ROUES DE 44 MM (1-3/4 PO) A 89 MM (3-1/2 PO))

1. Avant tout réglage, relâcher la manette du manoccontacteur pour éteindre la tondeuse, attendre l'immobilisation de la lame et retirer la clé de sûreté.
2. La tondeuse Black & Decker est dotée d'une touche à effleurement pour le réglage de la hauteur des roues. Ce système règle toutes les quatre roues en même temps.
3. Pour relever ou abaisser la hauteur de coupe, placer la paume de la main sur l'appui-paume E-1 et, avec les doigts, presser et maintenir la prise à doigt E-2 vers le haut.
4. Tout en maintenant, il est possible de relever ou d'abaisser la hauteur de coupe. La tondeuse dispose de sept réglages de hauteur de lame. Se reporter à l'échelle F-1 et au pointeur F-2 situés à l'avant de la tondeuse. Le pointeur indiquera la position de la hauteur pour la coupe de la pelouse. La hauteur indiquée peut alors servir de référence pour la prochaine coupe à la même hauteur.  
Lorsque la tondeuse est à la hauteur souhaitée, la tenir en place avec la main gauche sur la barre inférieure droite et relâcher la prise à doigt, tenue par la main droite, pour bloquer le réglage de hauteur.

**Remarque :** pour s'assurer que le châssis est correctement bloqué à l'une des sept positions, appuyer sur l'appui-paume d'un mouvement descendant après avoir relâché la prise à doigt.

## BATTERIE

**⚠ MISE EN GARDE : UTILISER UNIQUEMENT DES BATTERIES DE RECHANGE APPROUVÉES PAR BLACK & DECKER. COMMUNIQUER AVEC LE CENTRE DE RÉPARATION DE VOTRE RÉGION OU APPELER LE 1-800-544-6986.**

La batterie de votre tondeuse sans fil est une batterie à bac hermétique de 24 volts. Il n'y a pas de liquide à l'intérieur de la batterie. Il est ainsi possible de ranger la tondeuse dans n'importe quelle position sans risque de fuites.

- Pour optimiser le rendement, maintenir la batterie chargée en permanence lorsqu'elle n'est pas utilisée.
- Il est préférable de charger la batterie dans un local frais et sec.
- Il n'est pas nécessaire de complètement décharger la batterie avant de la recharger.
- Pour obtenir un temps de marche maximal, 2 à 3 cycles de charge initiale seront peut-être nécessaires.
- Il est possible de ranger la batterie en toute sécurité jusqu'à des températures atteignant -40 °C (-40 °F).
- La batterie est sans entretien.

## RÈGLES DE SÉCURITÉ POUR LE CHARGEUR

1. Brancher le chargeur directement dans une prise électrique. **NE PAS UTILISER LE CORDON D'ALIMENTATION DE FAÇON ABUSIVE.** Ne jamais transporter le chargeur par le cordon. Ne pas tirer sur le cordon pour débrancher le chargeur de la prise ou de la tondeuse.
2. **⚠ AVERTISSEMENT :** pour réduire les risques d'incendie, de chocs électriques ou de blessures corporelles, ne pas essayer d'utiliser le chargeur avec tout autre produit. De même, ne pas essayer de charger la tondeuse avec un autre chargeur.
3. Ne pas effectuer de réparations sur la tondeuse avec le chargeur ou la clé de sûreté en place.
4. Ne pas faire fonctionner un chargeur endommagé. Remplacer immédiatement tout cordon ou chargeur endommagé dans un centre de réparations Black & Decker autorisé.
5. Toujours recharger la tondeuse dans un local sec protégé des intempéries. Protéger la tondeuse ou le chargeur de la pluie. Ne pas les recharger dans des endroits humides. Ne pas recharger la tondeuse lorsque la température est supérieure à 40 °C (104 °F) ou

inférieure à 5 °C (41 °F).

6. Tenir la tondeuse et le chargeur à l'écart de sources d'eau, de chaleur (comme les radiateurs, appareils de chauffage, cuisinières, etc.), des flammes ou de produits chimiques. Tenir le cordon du chargeur à l'écart de bords tranchants pour ne pas l'endommager.

### **⚠ AVERTISSEMENT : RISQUE D'INCENDIE**

**DÉBRANCHER SYSTÉMATIQUEMENT LE CHARGEUR DE LA SOURCE D'ALIMENTATION (PRISE MURALE) AVANT DE RETIRER LE CONNECTEUR DU CHARGEUR. SOUS CERTAINES CONDITIONS, AVEC LE CHARGEUR BRANCHÉ À LA SOURCE D'ALIMENTATION, LE CONNECTEUR EXPOSÉ PEUT ÊTRE COURT-CIRCUITÉ PAR UN CORPS ÉTRANGER ET PEUT PROVOQUER UN INCENDIE. TOUT CORPS ÉTRANGER CONDUCTEUR, TEL QUE, MAIS SANS EN EXCLURE D'AUTRES, LA LAINE D'ACIER, LE PAPIER D'ALUMINIUM OU TOUTE ACCUMULATION DE PARTICULES MÉTALLIQUES, DOIT ÊTRE MAINTENU À DISTANCE DU CONNECTEUR. TOUJOURS DÉBRANCHER LE CHARGEUR AVANT TOUTE TENTATIVE DE NETTOYAGE.**

### **PROCÉDURE DE CHARGE**

Le chargeur de la tondeuse est un modèle à deux étapes spécialement conçu.

Étape 1 : le cycle de recharge est indiqué par un voyant rouge illuminé (D-1).

Étape 2 : le cycle d'entretien est indiqué par un voyant vert illuminé (D-2).

Ce dernier maintiendra la tondeuse complètement chargée.

1. Retirer la clé de sûreté D-6.
2. Brancher le connecteur du chargeur D-3 dans le réceptacle D-8 de la tondeuse. Le connecteur du chargeur ne s'insère que d'une façon dans le réceptacle de la tondeuse.
3. Insérer la fiche D-4 de 120 volts du chargeur D-5 dans la prise murale.
4. Le voyant rouge devrait s'allumer pour indiquer la présence de courant d'alimentation et l'état de charge de la batterie. Par la suite, le voyant rouge devrait s'éteindre et le vert, s'allumer, dès que la charge est complète (environ 9 heures pour charger une tondeuse avec une batterie complètement à plat).
5. En saison de tonte fréquente des pelouses, on recommande de laisser la tondeuse en charge permanente pour optimiser le rendement.
6. Le chargeur fourni avec ce produit est correctement branché s'il est orienté en position verticale ou au plancher.

### **FONCTIONNEMENT**

**SE REPORTER AUX DIAGRAMMES (A, B, C...) ET AUX NUMÉROS D'ARTICLE (1, 2, 3...) TELS QU'INDIQUÉS DANS CE MODE D'EMPLOI. PAR EXEMPLE, A-1 IDENTIFIE L'ARTICLE 1 DE L'ILLUSTRATION A.**

### **CONNAÎTRE SA TONDEUSE**

**LIRE LE MODE D'EMPLOI ET LES RÈGLES DE SÉCURITÉ AVANT DE FAIRE FONCTIONNER LA TONDEUSE.** . Consulter le diagramme G pour se familiariser avec l'emplacement des divers réglages et les commandes cités ci-dessous. Conserver ce mode d'emploi pour un usage ultérieur.

G-1 : Clé de sûreté

G-2 : Manette du manoccontacteur

G-3 : Boutons de réglage de la poignée

G-4 : Boutons de rangement de la poignée

G-5 : Collecteur d'herbe

G-6 : Dispositif de dégagement du réglage de la hauteur de coupe

G-7 : Indicateur de la hauteur de coupe

### **CLÉ DE SÛRETÉ**

#### **⚠ DANGER : LAME TRANCHANTE EN MOUVEMENT.**

Pour prévenir tout démarrage intempestif ou une utilisation non autorisée de la tondeuse sans fil, Black & Decker a intégré une clé de sûreté D-6 dans la conception de votre tondeuse. La tondeuse sera complètement désactivée dès le retrait de la clé de sûreté. Sans la clé de sûreté en place, il est possible d'accéder au réceptacle du chargeur D-8.

**APRÈS LE RETRAIT DE LA CLÉ DE SÛRETÉ, SAISIR CELLE-CI UNIQUEMENT PAR LA POIGNÉE DE PLASTIQUE, CAR LA PARTIE MÉTALLIQUE DE LA CLÉ PEUT DEVENIR CHAUDE APRÈS L'UTILISATION DE LA TONDEUSE.**

**REMARQUE : LA CLÉ DE SÛRETÉ COMPORTE UNE SANGLE AU CENTRE POUR PERMETTRE SON RANGEMENT SUR UN CLOU, HORS DE LA PORTÉE DES ENFANTS. NE PAS ATTACHER LA CLÉ DE SÛRETÉ À LA TONDEUSE.**

**⚠ DANGER: DES LAMES EN MOUVEMENT (ROTATION) RISQUENT DE PROVOQUER DE GRAVES BLESSURES. POUR PRÉVENIR DE GRAVES BLESSURES, RETIRER LA CLÉ DE SÛRETÉ LORSQUE LA TONDEUSE EST SANS SURVEILLANCE OU LORS DE LA CHARGE, DU NETTOYAGE, DES RÉPARATIONS, DU TRANSPORT, DU SOULÈVEMENT OU DU RANGEMENT.**

### **DÉMARRAGE DE LA TONDEUSE**

Insérer la clé de sûreté D-6 dans le contact, l'enfoncer et la faire tourner d'un quart de tour en sens horaire jusqu'à ce que la clé de sûreté soit bien engagée dans le contact.

La tondeuse est maintenant opérationnelle. La faire démarrer en actionnant la manette du manoccontacteur.

#### **⚠ DANGER : LAME TRANCHANTE EN MOUVEMENT.**

**NE JAMAIS ESSAYER DE NEUTRALISER LE FONCTIONNEMENT DU SYSTÈME DE CONTACT ET DE CLÉ DE SÛRETÉ. EN EFFET, UNE TELLE PRATIQUE POURRAIT SE SOLDER PAR DE GRAVES BLESSURES.**

### **MANETTE MARCHE/ARRÊT - Illustration H**

La tondeuse est dotée d'un système spécial d'interrupteur de marche/arrêt. Pour utiliser le système, tirer d'abord sur la manette du manoccontacteur (H-1) puis la tirer vers le guidon (H-2). Pour éteindre la tondeuse, relâcher simplement la manette du manoccontacteur.

Une fois la manette en position de départ, elle actionne le « mécanisme de freinage automatique ». Le moteur est alors freiné électriquement et la lame de la tondeuse s'immobilisera en trois (3) secondes ou moins.

### **CONFORME AUX NORMES DE SÉCURITÉ DE LA CPSC**

Les tondeuses Black & Decker sont conformes aux normes de sécurité de l'American National Standards Institute et de la Consumer Product Safety Commission (Commission de surveillance des produits de consommation) des États-Unis. La lame se déplace lorsque le moteur fonctionne.

### **ÉCRAN PROTECTEUR ET PANNEAU ARRIÈRE**

L'écran protecteur I-1 est conçu pour minimiser la projection arrière par la lame de la tondeuse, de pierres ou autres objets, provenant de sous le châssis. L'écran protecteur de même que le panneau arrière I-2 réduisent la possibilité d'un contact accidentel d'un pied avec la lame. NE PAS utiliser la tondeuse sans l'écran protecteur et le panneau arrière en position.

**⚠ DANGER : lame tranchante en mouvement.** Pour votre propre sécurité, NE PAS utiliser cette tondeuse sans le collecteur d'herbe ou l'insert de déchiquetage en position de fonctionnement. Une telle pratique peut entraîner de graves blessures.

**⚠ DANGER : lame tranchante en mouvement.** Ne pas utiliser la tondeuse si le panneau arrière ne se referme pas sous la tension du ressort. Une telle pratique pourrait entraîner de graves blessures. Confier la réparation de la tondeuse au centre de réparations le plus proche.

### **RETRAIT DE L'INSERT DE DÉCHIQUETAGE**

Pour retirer l'insert de déchiquetage I-3 de sorte à pouvoir emballer l'herbe coupée ou l'évacuer par la goulotte de vidange en option, suivre les étapes décrites ci-dessous.

1. Relâcher la manette du manoccontacteur pour éteindre la tondeuse. Attendre que les lames s'immobilisent puis retirer la clé de sûreté D-6.
2. Relever le panneau arrière I-2 de la décharge et le tenir en position haute.
3. Placer votre main dans la poignée I-4 de l'insert de déchiquetage comme indiqué puis soulever et retirer l'insert de déchiquetage I-3 entièrement.
4. Le panneau arrière de la décharge est à ressort. Dès que le panneau est relâché, il se referme.

## **INSTALLATION DE L'INSERT DE DÉCHIQUETAGE**

1. Refaire les étapes 1 et 2 pour retirer l'insert de déchiquetage.
2. Faire coulisser l'insert de déchiquetage I-3 dans l'ouverture de la décharge jusqu'à ce qu'il repose bien contre le châssis.
3. Relâcher le panneau arrière et s'assurer qu'il est correctement fermé.

## **INSTALLATION DU COLLECTEUR D'HERBE**

1. Relâcher la manette du manoccontacteur pour éteindre la tondeuse, attendre que la lame s'immobilise puis retirer la clé de sûreté D-6.
2. Se pencher entre les poignées de la tondeuse, relever le panneau arrière de la décharge J-1 en position verticale et le tenir en position haute. S'assurer que l'insert de déchiquetage I-3 a bien été retiré.
3. Saisir le collecteur d'herbe J-2 par la poignée J-3 et le placer entre les poignées de la tondeuse comme indiqué.
4. Insérer les crochets de suspension J-4 du collecteur d'herbe sur la tondeuse comme indiqué à l'illustration K. Relâcher le panneau arrière de la décharge.

**⚠ DANGER : lame tranchante en mouvement.** Ne jamais utiliser la tondeuse à moins que les crochets de suspension du collecteur d'herbe ne soient solidement fixés à la tondeuse et que le panneau arrière de la décharge ne repose fermement contre la partie supérieure du collecteur d'herbe pour éviter toute blessure grave.

## **CONSEILS POUR TONDRE LA PELOUSE**

**REMARQUE : TOUJOURS INSPECTER LA SURFACE À TONDRE ET RETIRER TOUTE PIERRE, BÂTON, FIL, OS ET AUTRES DÉBRIS QUI POURRAIENT ÊTRE PROJETÉS PAR LA LAME EN ROTATION.**

1. Tondre les pentes en diagonale, jamais de haut en bas. Être extrêmement prudent lors des virages sur les pentes. Ne pas tondre les pentes excessivement inclinées. Toujours maintenir un bon équilibre.
2. Relâcher la manette du manoccontacteur pour ÉTEINDRE la tondeuse lorsque vous traversez toute surface gravellée (des pierres risquent d'être projetées par la lame).
3. Régler la tondeuse à la hauteur maximale de coupe lorsque la tondeuse est utilisée sur un sol inégal ou sur de grandes broussailles. La coupe d'une trop grande quantité d'herbe en un passage peut déclencher le disjoncteur et arrêter ainsi la tondeuse. Se reporter au guide de dépannage.
4. Lors de l'utilisation du collecteur d'herbe en haute saison, l'herbe tend à encrasser l'ouverture de la décharge. Relâcher la manette du manoccontacteur pour éteindre la tondeuse, puis retirer la clé de sûreté. Retirer le collecteur d'herbe et secouer l'herbe vers l'autre extrémité du bac. Nettoyer également l'herbe ou les débris qui pourraient s'accumuler autour de l'ouverture de la décharge. Remettre le collecteur d'herbe en place.
5. Si la tondeuse commence à vibrer de façon anormale, relâcher la manette du manoccontacteur pour éteindre la tondeuse et retirer la clé de sûreté. Rechercher immédiatement la cause de cette vibration. Une vibration signale un problème. Ne pas utiliser la tondeuse sans avoir préalablement fait inspecter la tondeuse. Se reporter au guide de dépannage du mode d'emploi.
6. **TOUJOURS RELÂCHER LA MANETTE DU MANOCCONTACTEUR ET RETIRER LA CLÉ DE SÛRETÉ LORSQUE LA TONDEUSE EST LAISSÉE SANS SURVEILLANCE MÊME POUR UNE COURTE DURÉE.**

## **POUR MAXIMISER LE TEMPS DE MARCHÉ DE LA TONDEUSE SANS FIL, PROCÉDER COMME SUIT :**

1. Ralentir dans les zones où l'herbe est particulièrement haute ou dense.
2. Lors du déchiquetage, éviter à tout moment de couper plus de 38,1 mm (1-1/2 po) de la hauteur de l'herbe.
3. Éviter de tondre la pelouse lorsque l'herbe est mouillée par la pluie ou la rosée.
4. Tondre la pelouse fréquemment, particulièrement dans les périodes de forte pousse.

**REMARQUE : nous recommandons de recharger la tondeuse après chaque utilisation. Des charges fréquentes n'endommageront pas votre batterie et garantiront une batterie à pleine charge et prête à utiliser à la prochaine occasion.**

## **CONSEILS POUR LE DÉCHIQUETAGE**

La tondeuse Black & Decker est expédiée de l'usine avec l'insert de déchiquetage en place.

Lors du déchiquetage, la nouvelle tondeuse est conçue pour couper l'herbe en la coupant en petits morceaux et en la redistribuant sur la pelouse. Dans des conditions normales, l'herbe déchiquetée se désintègre rapidement pour fournir des éléments nutritifs à la pelouse.

Étudier les recommandations suivantes pour optimiser le rendement du déchiquetage.

1. Éviter de tondre la pelouse lorsque l'herbe est mouillée par la pluie ou la rosée. L'herbe mouillée pourrait former des mottes qui interfèrent avec le déchiquetage et réduisent la durée d'exécution. Le meilleur moment pour tondre la pelouse est la fin de l'après-midi lorsque l'herbe est sèche et que la surface fraîchement coupée n'est pas exposée directement au soleil.
2. Pour optimiser le rendement du déchiquetage, régler la hauteur pour couper environ un tiers de la longueur de la lame; idéalement, pas plus de 38,1 mm (1-1/2 po) lors d'un seul passage. Si votre herbe est très haute, il vous faudra peut-être augmenter la hauteur de coupe pour réduire l'effet de poussée et éviter la surcharge du moteur. Pour un déchiquetage très intensif, il est recommandé de couper d'abord à un réglage élevé puis de couper une seconde fois à la hauteur de coupe finale. Si non, couper des rangées plus étroites et lentement.
3. Pour un meilleur rendement, éliminer toute accumulation d'herbe dans le châssis. De temps en temps, relâcher la manette du manoccontacteur pour éteindre la tondeuse et attendre l'immobilisation complète de la lame. Puis, retirer la clé de sûreté et placer la tondeuse sur son côté. À l'aide d'un objet tel qu'un bâton, dégager toute accumulation d'herbe aux alentours de la lame. Faire attention aux arêtes tranchantes de la lame. Nettoyer souvent la lame dans des conditions d'herbe mouillée ou de coupe printanière. Toujours la nettoyer après chaque utilisation.
4. Certains types de pelouse ou de conditions pourraient exiger qu'une surface soit déchiquetée une seconde fois pour bien disperser l'herbe sur la pelouse. Lors d'un second passage, il est recommandé de couper perpendiculairement (en travers) au sens de coupe du premier passage. **NE CHANGER EN AUCUN CAS LE SENS DE LA COUPE SI CELUI-CI DEVRAIT SUIVRE LA PENTE DESCENDANTE.**
5. Changer le sens de coupe chaque semaine. Ceci permettra d'éviter le lignage de la pelouse.

## **ENTRETIEN**

**IMPORTANT :** pour garantir la SÛRETÉ et la FIABILITÉ de votre tondeuse, confier toute réparation, tout entretien et réglage (y compris l'inspection des brosses et leur remplacement) aux centres de réparation BLACK & DECKER ou à tout autre entreprise de réparation agréée en utilisant toujours des pièces de rechange Black & Decker. Pour la réparation, utiliser **UNIQUEMENT DES PIÈCES DE RECHANGE IDENTIQUES.**

**SE REPORTER AUX DIAGRAMMES (A, B, C...) ET AUX NUMÉROS D'ARTICLE (1, 2, 3...) TELS QU'INDIQUÉS DANS CE MODE D'EMPLOI. PAR EXEMPLE, A-1 IDENTIFIE L'ARTICLE 1 DE L'ILLUSTRATION A.**

## **RETRAIT ET INSTALLATION DE LA LAME**

1. Relâcher la manette du manoccontacteur pour éteindre la tondeuse, ATTENDRE QUE LA LAME S'IMMOBILISE ET RETIRER LA CLÉ DE SÛRETÉ.
2. Utiliser un morceau de bois de 2x4 N-1 (environ 2 pieds de longueur) pour empêcher la lame de tourner lors du retrait de l'écrou à embase.
3. Placer la tondeuse sur son côté. Porter des gants et des lunettes de protection appropriées. Faire attention aux arêtes tranchantes de la lame. Placer le morceau de bois et enlever l'écrou à embase N-3 avec une clé N-2 de 19 mm (3/4 po) comme indiqué à l'illustration N.

- Enlever la cale métallique carrée de la lame O-2, l'isolant plastique carré de la lame O-3 et la lame O-4 comme indiqué à l'illustration O. Examiner les défauts de l'isolant de la lame et le remplacer si nécessaire.
- Lors du remplacement d'une lame aiguisée ou neuve sur l'épaulement du ventilateur O-5, s'assurer que le « CÔTÉ GAZON » de la lame se trouve face au sol lorsque la tondeuse retrouve sa position verticale normale. Après l'installation de la lame O-4, placer l'isolant de la lame O-3 sur la lame de sorte que les bordures élevées sur un côté s'emboîtent dans les bords de la lame. Installer ensuite la cale de la lame O-2 afin qu'elle demeure à l'intérieur des bordures élevées de l'autre côté de l'isolant de la lame. S'assurer de bien aligner les méplats dans le trou de la cale de la lame avec les méplats de l'arbre, en tournant ensemble la lame et l'isolant de la lame comme indiqué. Positionner un morceau de bois P-1 pour empêcher la lame de tourner comme indiqué à l'illustration P. Installer les écrous à embase avec la bride contre la cale de la lame et visser fermement.

## **AFFÛTAGE DE LA LAME**

MAINTENIR LA LAME AIGUISÉE POUR OPTIMISER LE RENDEMENT DE LA TONDEUSE. UNE LAME ÉMOUSSÉE NE COUPE PAS NETTEMENT ET NE DÉCHIQUETTE PAS CORRECTEMENT.

PORTER UNE PROTECTION OCULAIRE ADÉQUATE LORS DU RETRAIT, DE L'AFFÛTAGE ET DE L'INSTALLATION DE LA LAME. S'ASSURER QUE LA CLÉ DE SÛRETÉ EST RETIRÉE.

Deux affûtages par saison sont normalement suffisants dans des conditions normales. Le sable émousse rapidement la lame. Si la pelouse pousse sur un sol sablonneux, des affûtages plus fréquents seront nécessaires.

REPLACER IMMÉDIATEMENT UNE LAME TORDUE OU ENDOMMAGÉE.

### **LORS DE L'AFFÛTAGE DE LA LAME :**

- S'assurer que la lame reste équilibrée.
- Affûter la lame suivant l'angle de coupe d'origine.
- Affûter les arêtes coupantes des deux extrémités de la lame, retirer la même quantité de matière aux deux extrémités.

### **AFFÛTAGE DE LA LAME DANS UN ÉTAU :**

- S'assurer que la manette du manocapteur est dégagée et la lame complètement immobile. Retirer la clé de sûreté avant de retirer la lame.
- Retirer la lame de la tondeuse. Consulter les instructions pour retirer et installer la lame.
- Fixer solidement la lame L-1 dans un étau L-2.
- Porter des lunettes de protection et des gants appropriés et faire attention de ne pas vous couper.
- Limer soigneusement les arêtes coupantes de la lame avec une lime à dents fines L-3 ou une pierre à affûter, en conservant l'angle original de l'arête.
- Vérifier l'équilibre de la lame. Consulter les directives pour équilibrer la lame.
- Remettre la lame de la tondeuse et serrer solidement.

## **ÉQUILIBRAGE DE LA LAME**

Vérifier l'équilibre de la lame en enfilant le trou central de la lame M-1 sur un clou ou un tournevis à tige ronde M-2, fixé horizontalement dans un étau M-3. Si l'une des extrémités de la lame pivote vers le bas, la limer. La lame est correctement en équilibre quand aucune extrémité ne penche vers le bas.

## **GRAISSAGE**

Aucun graissage n'est nécessaire. Ne pas huiler les roues. Elles comportent des surfaces d'appui en plastique qui n'exigent aucun graissage.

## **NETTOYAGE**

RELÂCHER LA MANETTE DU MANOCAPTEUR POUR ÉTEINDRE LA TONDEUSE, ATTENDRE QUE LA LAME

S'IMMOBILISE PUIS RETIRER LA CLÉ DE SÛRETÉ. UTILISER SEULEMENT UN DÉTERGENT DOUX ET UN CHIFFON HUMIDE POUR NETTOYER LA TONDEUSE. NETTOYER TOUTE TRACE D'HERBE COUPÉE QUI SE SERAIT ACCUMULÉE SOUS LE CHÂSSIS. APRÈS PLUSIEURS UTILISATIONS, INSPECTER TOUTE LA QUINCAILLERIE EXPOSÉE ET SERRER AU BESOIN.

## **PRÉVENTION DE LA CORROSION**

Les engrais et autres produits chimiques de jardin renferment des agents qui accélèrent la corrosion du métal. Si l'aire à tondre a reçu un épandage d'engrais ou de produits chimiques, nettoyer immédiatement la tondeuse après son utilisation comme suit : (1) Relâcher la manette du manocapteur pour éteindre la tondeuse et retirer la clé de sûreté. (2) Essuyer toutes les pièces exposées avec un chiffon humide.

**⚠ MISE EN GARDE : NE PAS VERSER NI PULVÉRISER D'EAU SUR LA TONDEUSE POUR LA NETTOYER.**

Ne pas ranger l'outil sur des engrais ou des produits chimiques ou à proximité de ceux-ci. Un tel rangement risque de provoquer une corrosion rapide.

## **TRANSPORT ET RANGEMENT**

**⚠ DANGER :** des lames en mouvement (rotation) risquent de provoquer de graves blessures. Relâcher la manette du manocapteur pour éteindre la tondeuse et retirer la clé de sûreté avant de soulever, de transporter ou de ranger la tondeuse. La ranger dans un endroit sec.

## **RANGEMENT HORS SAISON**

- Pour optimiser le rendement dans les climats plus chauds, il est recommandé de conserver la batterie chargée en permanence.
- Il est possible de ranger la tondeuse avec le chargeur débranché si toutes les conditions suivantes sont réunies ;
  - la batterie de la tondeuse est à pleine charge avant le rangement
  - la température moyenne du local de rangement est inférieure à 10 °C (50 °F)
  - la durée du rangement est de moins de six (6) mois.

## **ENTRETIEN ET INSTALLATION DE LA BATTERIE**

Il est recommandé de confier tout entretien ou toute réparation à un centre de réparation Black & Decker autorisé.

Lors de la réparation ou du remplacement des batteries, prendre note des faits suivants :

- À la fin de la vie utile des batteries, les deux batteries devraient être remplacées en même temps. L'utilisation d'une nouvelle batterie et d'une batterie déchargée peut accroître la pression interne des cellules et provoquer une rupture de la batterie;
- Lors de l'insertion de batteries dans ce produit, il faut respecter la polarité correcte. Une insertion d'une batterie à l'envers risque de se solder par une fuite ou une explosion.

### **Le SCEAU SRPRC™**

Le sceau SRPRC™ apposé sur le bloc-piles au nickel cadmium indique que son coût de recyclage à la fin de sa vie utile sera payé par Black & Decker. Il est illégal de jeter les piles au nickel cadmium épuisées dans les poubelles ou dans le système municipal d'élimination des résidus solides. Le programme RBRC représente donc une alternative sensibilisée à l'environnement. La SRPRC™, en collaboration avec Black & Decker, ont établi aux États-Unis et au Canada des programmes facilitant la cueillette des piles au nickel cadmium épuisées. Black & Decker encourage ses utilisateurs à participer à son programme de protection de l'environnement en retournant les piles usagées à un centre de réparation autorisé Black & Decker. On peut également communiquer avec le centre de recyclage de la région pour savoir où déposer les piles usées ou composer le **1-800-8-BATTERY**.



## **Accessoires**

Les accessoires recommandés pouvant être utilisés avec la tondeuse sont disponibles auprès de votre distributeur ou centre de réparation local autorisé. Pour tout renseignement concernant les accessoires, composer le : **1-800-544-6986**

**⚠ AVERTISSEMENT** : l'utilisation de tout accessoire non recommandé avec cet outil pourrait s'avérer dangereuse.

## p/n 242354-01 PROTECTEUR DE L'ÉJECTEUR

## p/n 242867-00 GOULOTTE À ÉJECTION LATÉRALE

## p/n 242501-05 COLLECTEUR D'HERBE DE RECHANGE

## MB-850 LAME DE RECHANGE

### **VOICI QUELQUES CONSEILS PRATIQUES POUR OPTIMISER L'UTILISATION DE VOTRE TONDEUSE SANS FIL BLACK & DECKER... ET OBTENIR UNE PELOUSE DE RÊVE**

1. Tondre la pelouse la première fois au printemps lorsque l'herbe atteint une hauteur de 64 mm à 76 mm (2-1/2 po à 3 po). Tondre la pelouse trop tôt limitera le développement des racines de la pelouse qui se renouvellent à chaque printemps. Couper la nouvelle herbe lorsqu'elle atteint une hauteur d'environ 64 mm (2-1/2 po).
2. Ne pas couper une trop grande proportion de la hauteur d'herbe en un seul passage. Jamais plus de 1/3 de la hauteur de la feuille à chaque passage. Des tontes trop rapprochées dans le temps « choquent » les tiges d'herbe sensibles, ce qui produit un système superficiel de racines et la pelouse éprouve de la difficulté par la suite à atteindre l'eau dans le sol.
3. Des spécialistes en soins de la pelouse déclarent qu'une bonne partie des problèmes de pelouse rencontrés provient de coupes trop rapprochées. La profondeur et la résistance des racines de l'herbe sont presque exactement proportionnelles à sa croissance. L'herbe sur des pelouses bien établies est souvent endommagée lorsque coupée plus courte que 38 mm (1-1/2 po). Une hauteur de 38 mm à 51 mm (1-1/2 po à 2 po) est préférable pour les pelouses de grande superficie.
4. Tondre la pelouse lorsqu'elle est sèche pour éviter la formation de mottes d'herbe mouillée. S'il est possible, la fin de l'après-midi est la période idéale pour tondre la pelouse non seulement parce que l'herbe est sèche, mais également parce que l'aire nouvellement coupée sera protégée des rayons forts du soleil.
5. Maintenir la lame affûtée pour une coupe bien nette. Cette pratique améliore le rendement de la tondeuse et l'apparence de la pelouse. Une lame émoussée casse et écrase les pointes de l'herbe. Ceci nuit à la saine croissance de la pelouse et accroît la susceptibilité aux maladies qui l'attaquent. Si les pointes de l'herbe sont écrasées, elles brunissent et la pelouse a l'air en mauvaise santé. Une lame émoussée peut également arracher les nouvelles pousses.
6. Essayer de tondre la pelouse toujours à la même (constante) hauteur de coupe. Il est parfois nécessaire de varier la hauteur de coupe pour en fonction de la saison. Toutefois, une coupe à hauteur constante produit une belle pelouse plus saine avec, en règle générale, moins de mauvaises herbes. Tondre la pelouse plus fréquemment en période de croissance rapide. Une coupe fréquente permet de cacher la section plus basse, moins attrayante de l'herbe.
7. Si la pelouse devient trop longue (des vacances, par exemple, pourraient interrompre la tonte de la pelouse), couper la pelouse à une ou deux hauteur(s) plus élevée(s) que normalement. Quelques jours plus tard, un deuxième passage à une hauteur normale de coupe redonnera à la pelouse son air d'antan. La modification de la hauteur de coupe est simple avec la touche à effleurement pour le réglage de la hauteur des roues de Black & Decker qui ajuste simultanément les quatre roues de la tondeuse.

8. Au printemps et à l'automne (ou après toute interruption du rythme de coupe), l'herbe sera plus longue et plus épaisse. Si le moteur ralentit à tout moment en cours de tonte, régler les roues à une hauteur de coupe plus élevée. Une charge excessive sur le moteur peut entraîner une coupe inégale, un déchargement plus rapide de la batterie et un déclenchement du disjoncteur qui arrêterait le moteur.
9. Trois bonnes idées pour améliorer l'apparence de la pelouse : varier fréquemment le sens de coupe, couper horizontalement sur les pentes (ceci est également une bonne mesure de sécurité) et ne pas oublier de superposer le champ de coupe à chaque passage.
10. Couper toujours la pelouse de sorte que l'herbe coupée soit redistribuée sur la pelouse tondue. Cette technique donne à la pelouse une apparence fraîche en évitant une accumulation d'herbes coupées brunies et laides. Cette technique aide également à préserver la charge de la batterie de la tondeuse électrique sans fil Black & Decker.
11. Au printemps et à l'automne lorsque l'herbe est plus longue et épaisse, il est possible d'utiliser la tondeuse sans qu'elle soit complètement chargée (c.-à-d., lorsque le voyant vert est allumé). Une telle pratique permet d'accomplir des coupes courtes et rapides, mais il n'est pas recommandé de le faire souvent. La batterie ainsi que la tondeuse fonctionnent beaucoup mieux à pleine charge.

## **ÉCONOMISEZ CES DIRECTIVES POUR FUTUR USAGE**

### **INFORMATION SUR LES RÉPARATIONS**

Tous les centres de réparation Black & Decker sont dotés de personnel qualifié en matière d'outillage électrique; ils sont donc en mesure d'offrir à leur clientèle un service efficace et fiable. Que ce soit pour un avis technique, une réparation ou des pièces de rechange authentiques installées en usine, communiquer avec l'établissement Black & Decker le plus près de chez vous. Pour trouver l'établissement de réparation de votre région, consulter le répertoire des Pages jaunes à la rubrique « Outils électriques » ou composer le numéro suivant : **1-800-544-6986** ou consulter le site [www.blackanddecker.com](http://www.blackanddecker.com)

### **GARANTIES GARANTIE COMPLÈTE DE DEUX ANS POUR UNE UTILISATION DOMESTIQUE**

Black & Decker (É.-U.) Inc. garantit ce produit pour une durée de deux ans contre tout défaut de matériau ou de fabrication. Le produit défectueux sera remplacé ou réparé sans frais de l'une des deux façons suivantes :

La première façon consiste en un simple échange chez le détaillant qui l'a vendu (pourvu qu'il s'agisse d'un détaillant participant). Tout retour doit se faire durant la période correspondant à la politique d'échange du détaillant (habituellement, de 30 à 90 jours après l'achat). Une preuve d'achat peut être requise. Vérifier auprès du détaillant pour connaître sa politique concernant les retours hors de la période définie pour les échanges.

La deuxième option est d'apporter ou d'envoyer le produit (transport payé d'avance) à un centre de réparation autorisé ou à un centre de réparation de Black & Decker pour faire réparer ou échanger le produit, à notre discrétion. Une preuve d'achat peut être requise. Les centres Black & Decker et les centres de service autorisés sont répertoriés dans les pages jaunes, sous la rubrique « Outils électriques ».

Cette garantie ne s'applique pas aux accessoires. Cette garantie vous accorde des droits légaux spécifiques et vous pourriez avoir d'autres droits qui varient d'un État ou d'une province à l'autre. Pour toute question, communiquer avec le directeur du centre de réparation Black & Decker le plus près de chez vous. Ce produit n'est pas destiné à un usage commercial.

### **REMPLACEMENT GRATUIT DES ÉTIQUETTES**

**D'AVERTISSEMENT** : si les étiquettes d'avertissement deviennent illisibles ou sont manquantes, composer le **1-800-544-6986** pour en obtenir le remplacement gratuit.

### **Garantie du châssis**

Le châssis est garanti à vie seulement contre les vices de matière ou de fabrication.

Le produit n'est pas conçu pour une utilisation commerciale.

# GUIDE DE DÉPANNAGE

PROBLÈME	SOLUTION
1. La tondeuse refuse de démarrer lorsque la manette actionnée.	<p>A. Vérifier que la clé de sûreté est correctement insérée et enfoncée complètement.</p> <p>B. Relâcher la manette du manocontacteur pour éteindre la tondeuse. Retirer la clé de sûreté, retourner la tondeuse et vérifier que la lame tourne librement.</p> <p>C. Est-ce que la batterie est à pleine charge ? Brancher le chargeur et attendre que le voyant vert s'illumine.</p>
2. Le moteur s'arrête en cours de coupe.	<p>A. Relâcher la manette du manocontacteur pour éteindre la tondeuse. Retirer la clé de sûreté. Retourner la tondeuse et vérifier que la lame tourne librement.</p> <p>B. Relever la hauteur de coupe des roues à la position la plus élevée et commencer la tonte.</p> <p>C. Est-ce que la batterie est à pleine charge ? Brancher le chargeur et attendre que le voyant vert s'illumine.</p> <p>D. Le disjoncteur s'est peut être déclenché. Il se réarme automatiquement. Le réarmement demande parfois jusqu'à une minute. Ralentir la tonte ou augmenter la hauteur de coupe.</p>
3. La tondeuse fonctionne mais le rendement est insatisfaisant ou la tondeuse ne coupe pas toute la pelouse.	<p>A. Est-ce que la batterie est à pleine charge ? Brancher le chargeur et attendre que le voyant vert s'illumine.</p> <p>B. Relâcher la manette du manocontacteur pour éteindre la tondeuse. Retirer la clé de sûreté. Retourner la tondeuse et vérifier : *le tranchant de la lame *la présence éventuelle d'un bourrage de la goulotte de vidange ou du châssis.</p> <p>C. Le réglage de la hauteur des roues pourrait être trop bas pour l'état de la pelouse. Augmenter la hauteur de coupe.</p>
4. Il est trop difficile de pousser la tondeuse.	<p>A. Augmenter la hauteur de coupe pour réduire le frottement du châssis sur l'herbe. Vérifier que chaque roue tourne librement.</p>
5. La tondeuse produit des sons anormaux et vibre.	<p>A. Relâcher la manette du manocontacteur pour éteindre la tondeuse. Retirer la clé de sûreté. Placer la tondeuse sur le côté et vérifier que la lame n'est pas tordue ou endommagée. Si la lame est endommagée, la remplacer avec une lame de rechange Black &amp; Decker. Si la face inférieure du châssis est endommagée, confier la réparation à un centre de réparations Black &amp; Decker autorisé.</p> <p>B. Si aucun dommage visible à la lame n'est identifié et que la tondeuse vibre toujours : relâcher la manette du manocontacteur pour éteindre la tondeuse, retirer la clé de sûreté et retirer la lame. Tourner la lame sur 180 degrés et la resserrer. Si la tondeuse vibre toujours, confier la réparation à un centre de réparations Black &amp; Decker autorisé.</p>

## REMARQUE

Même si le voyant rouge demeure allumé après une charge initiale de 24 heures de la batterie, il est possible d'utiliser la tondeuse. La batterie a besoin de « rodage » et exigera quelques cycles de charge et de décharge avant que le voyant vert ne s'illumine.

**CETTE SECTION N'EST QU'UN GUIDE POUR VOUS AIDER À RÉALISER DES INSPECTIONS VISUELLES ET DE SIMPLES ESSAIS. SI AUCUNE DES SOLUTIONS PROPOSÉES N'EST SATISFAISANTE OU N'AMÉLIORE LE RENDEMENT DE LA TONDEUSE, COMPOSER LE 1-800-544-6986 (1 800 54 HOW-TO) POUR PARLER À UN REPRÉSENTANT DU SERVICE À LA CLIENTÈLE OU POUR CONFIER LA RÉPARATION DE LA TONDEUSE À UN CENTRE DE RÉPARATION BLACK & DECKER AUTORISÉ.**

Importé par  
Black & Decker Canada Inc.  
100 Central Ave.  
Brockville (Ontario) K6V 5W6

Voir la rubrique "Outils électriques"  
des Pages jaunes  
pour le service et les ventes.

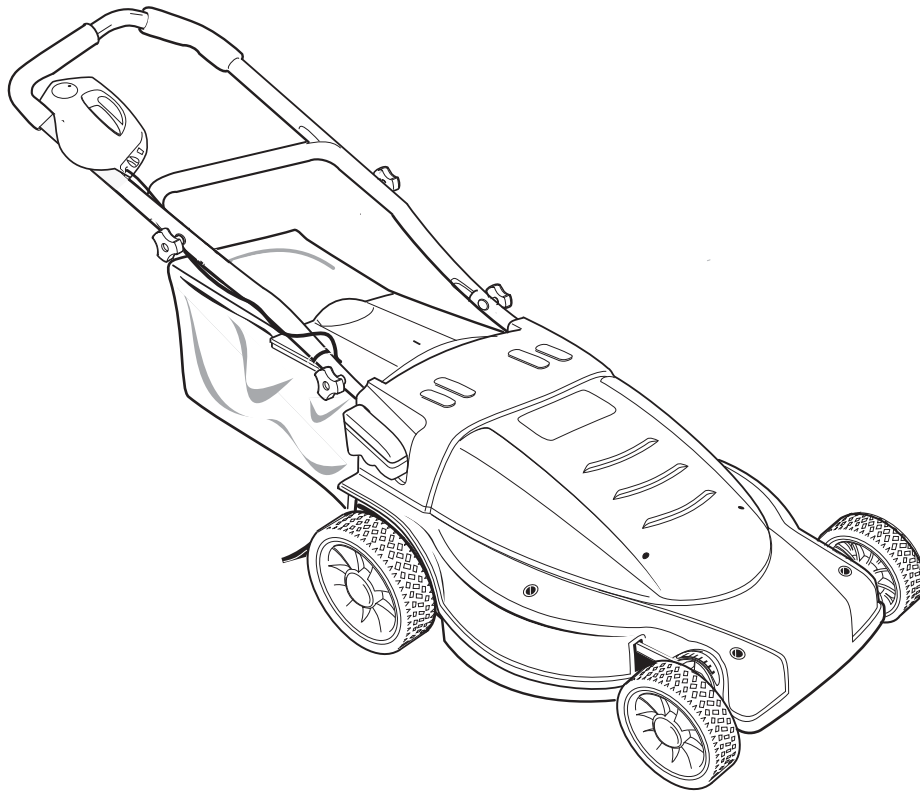




# Podadora desbrozadora inalámbrica de 483 mm (19") con bolsa colectora trasera

## MANUAL DE INSTRUCCIONES

### CMM1200



#### INFORMACIÓN CLAVE QUE DEBE CONOCER:

- No ponga en funcionamiento la podadora sin verificar que el mango esté trabado en su posición.
- Para obtener mejores resultados en el corte, mantenga las hojas afiladas y balanceadas.
- Examine y limpie minuciosamente la podadora después de utilizarla (una plataforma cubierta de bloques de césped afectará el rendimiento de la máquina).
- Antes de comenzar la tarea, asegúrese de despejar el área de trabajo y no permita el ingreso de personas o mascotas.

#### CONSERVE ESTE MANUAL PARA FUTURAS CONSULTAS

¡GRACIAS POR ELEGIR BLACK & DECKER!

VAYA A

[WWW.BLACKANDDECKER.COM/NEWOWNER](http://WWW.BLACKANDDECKER.COM/NEWOWNER)

PARA REGISTRAR SU NUEVO PRODUCTO.

**ANTES DE DEVOLVER ESTE PRODUCTO  
POR CUALQUIER MOTIVO, LLAME AL**

**(55)5326-7100**

ANTES DE LLAMAR, TENGA EL NÚMERO DE CATÁLOGO Y EL CÓDIGO DE FECHA PREPARADOS. EN LA MAYORÍA DE LOS CASOS, UN REPRESENTANTE DE BLACK & DECKER PUEDE RESOLVER EL PROBLEMA POR TELÉFONO. SI DESEA REALIZAR UNA SUGERENCIA O COMENTARIO, LLÁMENOS. SU OPINIÓN ES FUNDAMENTAL PARA BLACK & DECKER.

## NORMAS DE SEGURIDAD: DEFINICIONES

Es importante que lea y comprenda este manual.

La información que contiene está relacionada con la protección de SU SEGURIDAD y la PREVENCIÓN DE PROBLEMAS. Los símbolos que siguen se utilizan para ayudarlo a reconocer esta información.

**⚠ PELIGRO:** Indica una situación de peligro inminente que, si no se evita, provocará la muerte o lesiones graves.

**⚠ ADVERTENCIA:** Indica una situación de peligro potencial que, si no se evita, podría provocar la muerte o lesiones graves.

**⚠ PRECAUCIÓN:** Indica una situación de peligro potencial que, si no se evita, puede provocar lesiones leves o moderadas.

**PRECAUCIÓN:** Utilizado sin el símbolo de alerta de seguridad indica una situación de peligro potencial que, si no se evita, puede provocar daños en la propiedad.

## ⚠ ADVERTENCIA: Instrucciones y advertencias de seguridad importantes

**⚠ ADVERTENCIA:** Al utilizar aparatos eléctricos para jardín, siempre se deben tomar ciertas precauciones básicas de seguridad para minimizar el riesgo de incendio, descarga eléctrica y lesiones personales.

**Las siguientes son explicaciones de las importantes ilustraciones de seguridad en la cortadora de pasto.**



1. El usuario debe leer y comprender el manual de instrucciones.



2. Para evitar el riesgo de lesiones graves, no corte hacia arriba y hacia abajo en pendiente. Siempre corte pendientes transversalmente.



3. Para evitar el riesgo de lesiones a personas circundantes, mantenga a toda persona y mascota a una distancia segura de la cortadora de pasto mientras la opere.



4. Las hojas giratorias pueden provocar lesiones graves. Mantenga siempre las manos y los pies lejos de la plataforma de la podadora y de la abertura de descarga. Antes de retirar y volver a colocar el recolector de césped, limpiar la unidad, realizar tareas de mantenimiento y transportar o levantar la unidad, siempre asegúrese de que la hoja se haya detenido (antes de liberar la palanca del interruptor para retirar la llave de seguridad, espere aproximadamente 3 segundos hasta que la hoja se detenga).



5. Los golpes de objetos con la hoja de la podadora pueden provocar lesiones graves. Permanezca detrás del mango cuando el motor esté en funcionamiento. Siempre controle que no haya personas ni mascotas en la zona de descarga de la podadora en funcionamiento. Siempre examine el área de trabajo antes de comenzar a cortar y retire los objetos que podrían ser expulsados por la hoja. Antes de cruzar con la podadora, veredas, calle, patios o

caminos de grava, suelte la palanca del interruptor para apagar la máquina y espere hasta que la hoja se haya detenido (aproximadamente 3 segundos).

## ⚠ ADVERTENCIA: Instrucciones y advertencias de seguridad importantes

**⚠ ADVERTENCIA:** Al utilizar aparatos eléctricos para jardín, siempre se deben tomar ciertas precauciones básicas de seguridad para minimizar el riesgo de incendio, descarga eléctrica y lesiones personales.

## LEA TODAS LAS INSTRUCCIONES

### PARA REDUCIR EL RIESGO DE LESIONES:

- Antes de utilizar la herramienta, asegúrese de que todas las personas que la utilicen hayan leído y comprendido todas las instrucciones de seguridad y demás información incluida en este manual.
- Guarde estas instrucciones y revíselas con frecuencia antes de usar y al enseñarles a los demás.

## ⚠ PRÁCTICAS DE SEGURIDAD IMPORTANTES SOBRE PELIGROS PARA LAS PODADORAS MANUALES

Esta podadora puede amputar manos y pies y arrojar objetos. La inobservancia de las siguientes instrucciones de seguridad puede causar lesiones graves o la muerte.

### OPERACIÓN GENERAL

1. Lea, comprenda y siga todas las instrucciones en la podadora y en el manual de instrucciones antes de comenzar.
2. No coloque las manos ni los pies cerca o debajo de la podadora. Manténgase alejado de la apertura de descarga en todo momento.
3. Sólo deje que adultos responsables, familiarizados con las instrucciones, operen esta podadora.
4. Limpie el área donde se usará la podadora de objetos como piedras, palos, alambres, juguetes, huesos, etc., que pueden ser arrojados por la hoja. Los objetos que la hoja golpee pueden causar lesiones graves a personas. Cuando el motor esté en funcionamiento, permanezca detrás del mango.
5. Antes de operar la podadora, asegúrese de que el área circundante esté libre de espectadores. Todos los espectadores y las mascotas se deben mantener a una distancia segura. Detenga la podadora si alguna persona ingresa en el área circundante.
6. No opere la podadora descalzo o con sandalias. Use siempre calzado cerrado.
7. No tire de la podadora hacia atrás a menos que sea absolutamente necesario. Siempre mire hacia abajo y hacia atrás antes y durante movimientos en retroceso.
8. Nunca descargue material en forma directa en la dirección donde hay personas. No descargue material contra una pared o contra algo que provoque una obstrucción. El material puede rebotar y golpear al operador. Cuando deba cruzar superficies con grava, suelte la palanca del interruptor para apagar la podadora y detener la hoja.
9. No opere la podadora sin la cavidad para el césped, el protector de descarga, el protector trasero o todos los otros dispositivos de protección en su lugar y en funcionamiento. Controle periódicamente todos los protectores y dispositivos de seguridad para asegurarse de que estén en buenas condiciones, funcionen correctamente y cumplan con la función para la que fueron diseñados. Reemplace un protector u otro dispositivo de seguridad dañado antes de volver a usarlo.
10. Nunca deje de supervisar una podadora en funcionamiento.
11. Antes de limpiar la podadora, retirar el recolector de césped, desobstruir la protección de la descarga, realizar ajustes, reparaciones o inspecciones o antes de dejar de utilizar la unidad, siempre suelte la palanca del interruptor para detener el motor y espere hasta que la hoja se detenga por completo para retirar la llave de seguridad.
12. Sólo opere la podadora de día o con buena luz artificial de modo que los objetos en el área donde se usará la podadora y en el trayecto de la hoja sean claramente visibles.
13. No opere la podadora bajo el efecto de alcohol o drogas o cuando esté cansado o enfermo. Manténgase alerta, ponga atención en lo que está haciendo y use el sentido común.
14. Evite los ambientes peligrosos. Nunca opere la podadora sobre pasto húmedo o mojado o con lluvia. Asegure siempre su estabilidad; no corra, camine.



- Si el sistema de impulsión está equipado, antes de arrancar el motor, destrábelo.
- En caso de que durante el funcionamiento, la podadora comience a vibrar de manera anormal, suelte de inmediato la palanca del interruptor, espere que la hoja se detenga, retire la llave de seguridad y examine la máquina para detectar la causa de esa vibración. La vibración por lo general es una advertencia acerca de la existencia de un problema.
- Cuando opere la podadora, utilice siempre protección respiratoria y visual adecuada.
- El uso de accesorios o dispositivos no recomendados para utilizar con esta podadora puede resultar peligroso. Sólo utilice accesorios aprobados por Black & Decker.
- Nunca se estire demasiado cuando opere esta podadora. Conserve el equilibrio y párese adecuadamente en todo momento mientras opera la podadora.

## FUNCIONAMIENTO EN PENDIENTE

Las pendientes son el factor principal relacionado con los resbalones y las caídas, que pueden causar lesiones graves. La operación en las pendientes requiere precaución extra. Si en una pendiente se siente inseguro, en dicha zona no corte el césped.

- Corte el césped a través de la cara de las pendientes; nunca hacia arriba y hacia abajo. Tenga extremo cuidado cuando cambia de dirección en las pendientes.
- Tenga cuidado con los pozos, los baches, las protuberancias u otros objetos escondidos. El terreno desnivelado puede causar un resbalón o una caída. El césped alto puede esconder obstáculos.
- No corte el césped si el está mojado o en pendientes pronunciadas. Una mala pisada puede causar un resbalón o una caída.
- No corte el césped cerca de barrancas, zanjas o terraplenes. Puede perder el equilibrio.

## NIÑOS

Si el operador no está alerta ante la presencia de niños, pueden ocurrir accidentes trágicos. Los niños con frecuencia se sienten atraídos por las podadoras y su funcionamiento. Nunca dé por sentado que los niños permanecerán donde los vio por última vez.

- Mantenga a los niños fuera del área donde se corta el césped y al cuidado de un adulto responsable que no sea el operador.
- Esté alerta y apague la podadora si un niño ingresa en el área de corte.
- Nunca deje que un niño opere la podadora.
- Tenga extremo cuidado cuando se aproxima a esquinas, arbustos, árboles u otros objetos que puedan bloquear la presencia de un niño.

## MANTENIMIENTO GENERAL

- Nunca opere la podadora en un área cerrada.
- Mantenga todas las tuercas y los pernos ajustados para asegurar que el equipo esté en condiciones seguras de funcionamiento.
- Nunca altere la podadora con dispositivos de seguridad. Verifique que funcione correctamente con frecuencia.
- Mantenga la podadora libre de césped, hojas u otros desechos acumulados. Antes de guardar la podadora, deje que se enfríe.
- Si golpea un objeto extraño, suelte la palanca del interruptor para apagar la podadora, espere que la hoja se detenga, retire la llave de seguridad y luego examine la unidad. Antes de reiniciar la operación con la podadora, repare los daños.
- Nunca realice ajustes o reparaciones con el motor en funcionamiento o con la llave de seguridad colocada en la podadora.
- Siempre retire esta llave de seguridad antes de realizar tareas de ajuste, limpieza, reparaciones e inspecciones, o bien antes de transportar la unidad, guardarla o dejarla de utilizar.
- Controle los componentes de la cavidad para el pasto y el protector de descarga con frecuencia y, cuando sea necesario reemplazar una pieza, use solamente los repuestos recomendados por Black & Decker.
- Las hojas de la podadora son filosas. Envuelva las hojas, use guantes y tenga mucho cuidado cuando realiza un mantenimiento.
- Conserve o reemplace las etiquetas de las instrucciones y las etiquetas de seguridad, según sea necesario.

## ⚠️ ADVERTENCIA: ADVERTENCIAS E

### INSTRUCCIONES DE SEGURIDAD GENERALES PARA TODAS LAS HERRAMIENTAS

- ESTA HERRAMIENTA PUEDE SER PELIGROSA.** Siga todas advertencias e instrucciones de seguridad contenidas en este manual. El operador es responsable de seguir las advertencias y las instrucciones en el manual y en la unidad. Limite el uso de esta podadora a personas que hayan leído y comprendido y que sigan las advertencias e instrucciones en este manual y en la unidad.

- GUARDE LA PODADORA BAJO TECHO.** Guarde siempre la unidad sin la llave de seguridad colocada. Las cortadoras se deben guardar bajo techo en un área segura y seca, lejos del alcance de los niños.
- NO FUERCE LA PODADORA.** Trabajará mejor y con menos probabilidad de riesgo de daños si se opera a la velocidad para la que fue diseñado.
- UTILICE EL APARATO ADECUADO.** Nunca utilice la podadora para otra tarea que no sea aquella para la que fue creada.
- USE LA VESTIMENTA ADECUADA.** No use ropas holgadas o joyas. Pueden atascarse en las piezas en movimiento. Se recomienda utilizar guantes de goma, pantalones largos y calzado antideslizante al trabajar al aire libre.
- USE ANTEOJOS DE SEGURIDAD Y CUALQUIER OTRO EQUIPO DE SEGURIDAD.** Use anteojos protectores o lentes de seguridad con protección lateral que cumplan con las normas de seguridad aplicables y, de ser necesario, un protector facial. Utilice también máscaras faciales o para polvo si la operación produce polvillo. Esto se aplica a todas las personas que se encuentren en el área de trabajo. Utilice también un casco, protección auditiva, guantes, calzado de seguridad y sistemas de recolección de polvo cuando así se especifique o requiera. Puede conseguir anteojos de seguridad o similares a un costo adicional en su distribuidor local o en el Centro de mantenimiento de Black & Decker.
- NO TIRE DEL CABLE.** Nunca transporte el cargador sosteniéndolo por el cable ni tire del cable para desconectarlo del tomacorriente. Mantenga el cable lejos del calor, del aceite y de bordes afilados.
- REALICE EL MANTENIMIENTO DE LA PODADORA CON CUIDADO.** Para obtener mejor rendimiento y para reducir el riesgo de lesiones personales, mantenga las hojas de corte limpias y afiladas. Siga las instrucciones para lubricar y cambiar los accesorios. Inspeccione el cable de la podadora periódicamente y, en caso de detectar daños, llévelo a un centro de mantenimiento autorizado para que lo reparen. Mantenga los mangos secos, limpios y sin restos de aceite ni grasa.
- EVITE EL ENCENDIDO POR ACCIDENTE.** No transporte la podadora con la llave de seguridad insertada en el alojamiento del interruptor. Antes de insertar la llave de seguridad, asegúrese de que la palanca del interruptor no esté accionada.
- ANTES DE USAR,** verifique siempre que la hoja, los sujetadores de la hoja y el conjunto del cortador no estén desgastados o dañados. Reemplace las hojas y los juegos de sujetadores desgastados o dañados para preservar el equilibrio. Examine el cable de la podadora. Asegúrese de que esté en buenas condiciones. El aislamiento del cable debe estar intacto, sin roturas ni deterioro.
- USO DE CABLES PROLONGADORES**  
Antes de utilizar un cable prolongador, verifique que esté en buenas condiciones. Utilice siempre cables prolongadores de dimensiones apropiadas según la herramienta, es decir, que la medida y la longitud del cable sean adecuadas y que el cable sea lo suficientemente robusto como para transportar la corriente que exigirá la herramienta. El uso de un cable de menor capacidad provocará una caída en el voltaje de la línea que producirá pérdida de potencia y sobrecalentamiento. En la siguiente tabla podrá consultar los cables y sus dimensiones adecuadas.

Volts	Calibre mínimo para cables de extensión			
	Longitud total del cable en pies			
120V	0-25	26-50	51-100	101-150
	(0-7,6m)	(7,6-15,2m)	(15,2-30,4m)	(30,4-45,7m)
240V	0-50	51-100	101-200	201-300
	(0-15,2m)	(15,2-30,4m)	(30,4-60,9m)	(60,9-91,4m)
Amperaje		American Wire Gage		
	Más de	No más de		
0	- 6	18	16	14
6	- 10	18	16	12
10	- 12	16	14	12
12	- 16	14	12	No se recomienda

- VERIFIQUE QUE NO HAYA PIEZAS DAÑADAS.** Antes de volver a utilizar la podadora, se debe controlar cualquier protección u otra pieza que esté averiada para determinar si funcionará correctamente y realizará la función para la que fue diseñado. Verifique la alineación de las piezas móviles, la rotura de piezas, el montaje y cualquier otra condición que pueda afectar su operación. Cualquier protección u otra pieza que esté dañada debe ser reparada correctamente o reemplazada por un centro de mantenimiento autorizado, a menos que este manual indique otra cosa.
- MANTENIMIENTO Y REPARACIONES** Las reparaciones, el mantenimiento y los ajustes que no estén especificados en este manual deben ser realizados por los centros de mantenimiento autorizados de Black & Decker o por otras organizaciones de mantenimiento calificadas, y siempre deben usarse piezas de repuesto idénticas.

## **⚠ PELIGRO: ADVERTENCIAS ADICIONALES PARA PODADORAS**

- Cuando opere la podadora, agarre **SIEMPRE** con firmeza el mango con ambas manos.
- **NUNCA** escuche radio o use auriculares para escuchar música cuando opere la podadora.
- **RECOJA** el cabello largo.
- **NUNCA** intente realizar un ajuste de la altura de las ruedas con el motor en funcionamiento o con la llave de seguridad colocada en su alojamiento.
- **SI LA PODADORA** se para, suelte la palanca del interruptor para apagar la unidad, espere que la hoja se detenga y retire la llave de seguridad antes de tratar de desobstruir el conducto de descarga o de retirar cualquier elemento atascado en la parte inferior de la plataforma.
- **MANTENGA LAS MANOS** y los pies lejos del área de corte.
- **MANTENGA LAS HOJAS** afiladas. Use siempre guantes protectores cuando maneje la hoja de la podadora.
- **SI USA** una cavidad para el césped, examínela con frecuencia para corroborar su desgaste o deterioro. Si está muy desgastado, reemplácelo por una bolsa nueva para su seguridad.
- **TENGA MUCHO CUIDADO** cuando maniobre la podadora en reversa o la jale hacia su persona.

**⚠ ADVERTENCIA:** Parte del polvo generado por este producto contiene sustancias químicas reconocidas por el Estado de California como causantes de cáncer, defectos de nacimiento u otros problemas reproductivos. Algunos ejemplos de estos productos químicos son:

- compuestos en fertilizantes
- compuestos en insecticidas, herbicidas y pesticidas
- arsénico y cromo de madera con tratamiento químico

Para reducir su exposición a estas sustancias químicas, utilice el equipo de seguridad aprobado, como máscaras para polvo especialmente diseñadas para filtrar partículas microscópicas.

## **PREPARACIÓN**

**CONSULTE LOS DIAGRAMAS (A, B, C...) Y LOS NÚMEROS DE LOS ÍTEMS (1, 2, 3...), SEGÚN SE INDICA EN EL MANUAL. POR EJEMPLO, LA INDICACIÓN A-1 SER REFIERE AL ÍTEM 1 DE LA FIGURA A.**

## **DESEMBALAJE**

La podadora ha sido armada por completo en fábrica, excepto la bolsa recolectora de césped. La podadora inalámbrica Black & Decker se envía lista para ser utilizada con su sistema de batería totalmente armado.

### **Para extraer la podadora de la caja:**

1. Retire el armazón de la bolsa de césped y el material de cartón de relleno.
2. Extraiga la podadora de la caja y coloque las cuatro ruedas sobre el piso.
3. Revise la caja con atención para verificar que no hayan quedado piezas sueltas.

### **Para sacar el envoltorio del mango:**

- Levante el mango, sección A-1, para colocarlo en su lugar y asegure la posición ajustando las dos perillas inferiores.
- A-2. Preste atención para no morder el cable de alimentación.

**⚠ PELIGRO: HOJA MÓVIL FILOSA.** Por su propia seguridad, **NO** utilice esta podadora si la bolsa colectora de césped, la pieza para mantillo o el conducto de descarga opcional no están colocados en su posición, de lo contrario, se pueden producir lesiones graves.

## **CÓMO ENSAMBLAR EL RECOLECTOR DE CÉSPED (FIGURAS C1, C2, C3 Y C4)**

1. Antes de comenzar a armar la bolsa colectora de césped en el armazón, verifique que la bolsa y el armazón sean similares a la Figura C1.
2. Deslice la bolsa en el armazón como se muestra en la Figura C2.
3. Arme los sujetadores superiores como se muestra en la Figura C3, luego los dos sujetadores laterales y por último los inferiores.
4. En la Figura C4, se muestra el recolector de césped totalmente armado.

## **AJUSTE DE LA MANIJA**

La podadora posee un mango de ajuste de altura variable. Para ajustar la posición del mango según su preferencia de altura, utilice el siguiente procedimiento:

1. Retire las perillas B-1 que están ubicadas en la parte media de las manijas y quite los pernos de montura B-2.
2. Alinee los agujeros de los mangos superior e inferior y deslice el mango superior en una de las 3 posiciones de ajuste B-3.
3. Inserte los pernos de montura y coloque las perillas, ajuste con firmeza. Las perillas siempre deben colocarse en la parte externa de las manijas para evitar que interfieran con la puerta trasera y la bolsa colectora de césped.

## **EL AJUSTE DE LA ALTURA DE LAS RUEDAS ES DE 44 MM (1-3/4") A 89 MM (3-1/2")**

1. Antes de realizar cualquier ajuste, suelte la palanca de interruptor para apagar la podadora, espere que la hoja se detenga y retire la llave de seguridad.
2. La podadora Black & Decker posee el sistema de ajuste de altura mediante un simple toque. Este sistema permite el ajuste de las cuatro ruedas al mismo tiempo.
3. Para elevar o reducir la altura de corte, coloque la palma de la mano sobre el apoyamanos E-1 y, con los dedos, presione la empuñadura E-2 de manera continua.
4. Mientras la mantiene presionada, puede elevar o reducir la altura del corte. La podadora posee siete posiciones de ajuste de la altura de la hoja. Consulte la escala F-1 y el indicador F-2 que están ubicados en la parte delantera de la podadora. El indicador señalará el ajuste de la altura para el corte de césped. Este valor puede servir como referencia para la próxima vez que desee cortar el césped a la misma altura. Una vez que establezca la altura que desee en la podadora, sostenga la posición colocando la mano izquierda sobre el mango derecho inferior y con la mano derecha suelte la empuñadura para trabar la posición de ajuste de altura elegida.

**Nota:** Para verificar la traba segura de la plataforma en una de las siete posiciones, presione hacia abajo sobre el apoyamanos una vez que haya soltado la empuñadura.

## **BATERÍA**

**⚠ PRECAUCIÓN: UTILICE ÚNICAMENTE BATERÍAS DE REPUESTO BLACK & DECKER APROBADAS, COMUNÍQUESE CON SU CENTRO DE MANTENIMIENTO LOCAL O LLAME AL 1-800-544-6986.**

La batería de la podadora inalámbrica es una batería de plomo-ácido sellada de 24 V. No hay líquido en el interior de la batería y por ello la podadora se puede guardar en cualquier posición sin riesgo de sufrir pérdidas de líquidos.

- Cuando la batería no se utiliza, se debe guardar en el modo de carga constante para obtener un rendimiento óptimo.
- Es preferible cargar la batería en un lugar frío y seco.
- No es necesario descargar por completo la batería antes de recargarla.
- Es probable que para una batería nueva recientemente adquirida, se necesiten 2 a 3 ciclos de carga inicial para alcanzar la capacidad máxima de tiempo de funcionamiento.
- La temperatura de almacenamiento seguro para la batería es de -40 °C (-40 °F).
- La batería no necesita mantenimiento.

## **NORMAS DE SEGURIDAD DEL CARGADOR**

1. Enchufe el cargador directamente en un tomacorriente. **NO MALTRATE EL CABLE.** Nunca transporte el cargador sosteniéndolo por el cable. No tire del cable del cargador para desconectarlo del tomacorriente o de la podadora.
2. **⚠ ADVERTENCIA:** Para disminuir los riesgos de incendio, descarga eléctrica o lesiones personales, no intente utilizar este cargador con otros productos. De la misma manera, no intente cargar la podadora utilizando otros cargadores.
3. No realice tareas de mantenimiento con el cargador o la llave de seguridad colocados en la podadora.
4. No haga funcionar un cargador dañado. Reemplace de inmediato los cables dañados o el cargador en un centro de mantenimiento Black & Decker autorizado.
5. Siempre realice la carga de la podadora en un área seca a resguardo del clima. No deje la podadora o el cargador expuesto a

la lluvia. No realice la carga en lugares húmedos. No cargue la podadora cuando la temperatura está por encima de 40 °C (104 °F) o por debajo de 5 °C (41 °F).

- Mantenga la podadora y el cargador lejos del agua, fuentes de calor (como radiadores, calefactores, estufas, etc.), el fuego o agentes químicos. Preste atención para no dañar el cable del cargador, manténgalo lejos de bordes filosos.

### **⚠ ADVERTENCIA: RIESGO DE INCENDIO**

**SIEMPRE DESCONECTE EL CARGADOR DE LA FUENTE DE ENERGÍA (TOMACORRIENTE DE PARED) ANTES DE QUITAR EL CONECTOR DEL CARGADOR. EN DETERMINADAS CONDICIONES, CUANDO EL CARGADOR ESTÁ CONECTADO A LA FUENTE DE ENERGÍA, EL CONECTOR AL DESCUBIERTO PUEDE SUFRIR UN CORTOCIRCUITO ANTE LA PRESENCIA DE UN MATERIAL EXTRAÑO Y PROVOCAR UN INCENDIO. SE DEBEN MANTENER LEJOS DEL ENCHUFE DEL CARGADOR LOS MATERIALES EXTRAÑOS DE NATURALEZA CONDUCTORA, COMO LA LANA DE ACERO, EL PAPEL DE ALUMINIO O CUALQUIER ACUMULACIÓN DE PARTÍCULAS METÁLICAS. DESENCHUFE EL CARGADOR ANTES DE INTENTAR LIMPIARLO.**

### **PROCEDIMIENTO DE CARGA**

El cargador de la podadora tiene un diseño especial de 2 pasos.

Paso 1: Una luz de color rojo encendida (D-1) indica el ciclo de recarga.

Paso 2: Una luz de color verde encendida (D-2) indica el ciclo de mantenimiento.

Este ciclo servirá para mantener su podadora en un estado de carga completa.

- Retire la llave de seguridad D-6.
- Enchufe el conector del cargador D-3 en el tomacorriente D-8 de la podadora. El conector del cargador sólo se puede enchufar en el receptáculo de la podadora de una sola forma.
- Inserte el enchufe D-4 de 120 V del cargador D-5 en el tomacorriente de pared.
- Ahora se debe encender la luz roja indicando que hay transmisión de energía y que la batería se está cargando. La luz roja se apagará y la luz verde se encenderá cuando se haya completado la carga (se necesitan aproximadamente 9 horas para cargar una batería completamente descargada).
- Durante la temporada de corte del césped, se recomienda dejar la podadora en carga constante.
- El cargador suministrado con este producto está diseñado para ser enchufado correctamente en posición vertical u horizontal

### **OPERACIÓN**

**CONSULTE LOS DIAGRAMAS (A, B, C...) Y LOS NÚMEROS DE LOS ÍTEMS (1, 2, 3...) SEGÚN LA INDICACIÓN INCLUIDA EN EL MANUAL.. POR EJEMPLO, LA INDICACIÓN A-1 SER REFIERE AL ÍTEM 1 DE LA FIGURA A.**

### **CONOZCA LA PODADORA**

**ANTES DE OPERAR LA UNIDAD, LEA ESTE MANUAL DE INSTRUCCIONES Y LAS NORMAS DE SEGURIDAD.** Observe el diagrama G para familiarizarse con la ubicación de los distintos controles y ajustes que se mencionan a continuación. Conserve este manual para futuras consultas.

G-1: Llave de seguridad

G-2: Palanca del interruptor

G-3: Perillas de ajuste del mango

G-4: Perillas de almacenamiento en el mango

G-5: Bolsa colectora de césped

G-6: Liberador del ajuste de la altura del corte

G-7: Indicador de la altura del corte

### **LLAVE DE SEGURIDAD**

#### **⚠ PELIGRO: HOJA MÓVIL FILOSA.**

En el diseño de la podadora, se ha incorporado una llave de seguridad D-6 extraíble para evitar arranques accidentales e impedir el uso no autorizado de la podadora inalámbrica. La podadora queda desactivada por completo cuando se quita la llave de seguridad. Una vez retirada la llave de seguridad, podrá tener acceso al tomacorriente D-8 del cargador.

**DESPUÉS DE RETIRAR LA LLAVE DE SEGURIDAD, SÓLO TOME EL MANGO DE PLÁSTICO DE LA LLAVE, YA QUE, UNA VEZ QUE LA PODADORA ESTÁ EN FUNCIONAMIENTO, EL METAL SE PUEDE CALENTAR.**

**NOTA: LA LLAVE DE SEGURIDAD TIENE UN CORDEL EN EL CENTRO PARA COLGARLA DE UN CLAVO, LEJOS DEL ALCANCE DE LOS NIÑOS. NO AMARRE LA LLAVE DE SEGURIDAD A LA PODADORA.**

**⚠ PELIGRO: LAS HOJAS GIRATORIAS PUEDEN PROVOCAR LESIONES GRAVES. PARA EVITAR ACCIDENTES Y LESIONES GRAVES, quite la llave de seguridad cada vez que deje de utilizar la podadora, o cuando realice tareas de carga, mantenimiento y limpieza de la unidad o si desea transportarla, elevarla o guardarla.**

### **PARA ENCENDER LA PODADORA**

Inserte la llave de seguridad D-6 en el alojamiento correspondiente, empújela y gírela 1/4 de vuelta en sentido horario hasta que la llave se asiente por completo en el interior del alojamiento.

La podadora ahora está lista para usar y se puede poner en funcionamiento accionando la palanca del interruptor.

**⚠ PELIGRO: HOJA MÓVIL FILOSA. NUNCA INTENTE ANULAR LA OPERACIÓN DE ESTE INTERRUPTOR Y DEL SISTEMA DE LA LLAVE DE SEGURIDAD porque SE PUEDEN PRODUCIR LESIONES GRAVES.**

### **PALANCA DEL INTERRUPTOR DE ENCENDIDO Y APAGADO (ON-OFF), Figura H**

La podadora tiene un sistema de interruptor de encendido y apagado especial. Para encender el sistema, primero tire la palanca de interruptor (H-1) hacia fuera y empújela hacia el mango (H-2). Para apagar la podadora, simplemente suelte esta palanca.

Una vez que la palanca del interruptor haya regresado a su posición original, activará el "Mecanismo de freno automático". El motor se frena eléctricamente y la hoja de la podadora deja de girar en menos de 3 segundos.

### **CUMPLE CON LOS REQUISITOS DE SEGURIDAD DE LA COMISIÓN PARA LA SEGURIDAD DE LOS PRODUCTOS DE CONSUMO DE EE.UU.**

Las cortadoras de Black&Decker cumplen con las normas de seguridad del Instituto Nacional Americano de Estándares y de la Comisión para la Seguridad de los Productos de Consumo de EE. UU. La hoja gira cuando el motor está en funcionamiento.

### **PROTECCIÓN Y PUERTA TRASERA DE SEGURIDAD**

Esta protección de seguridad I-1 está diseñada para minimizar el riesgo de que la hoja expulse piedras u otros objetos hacia atrás desde la parte inferior de la plataforma de la podadora. La protección y la puerta trasera sirven para reducir al mínimo la posibilidad de contacto accidental de los pies con la hoja NO haga funcionar la podadora si no tiene la protección y la puerta trasera de seguridad colocados en su lugar.

**⚠ PELIGRO: Hoja móvil filosa.** Por su propia seguridad, NO utilice esta podadora si la bolsa colectora de césped o la pieza para mantillo no están colocados en su posición, de lo contrario, se pueden producir lesiones graves.

**⚠ PELIGRO: Hoja móvil filosa.** No haga funcionar la podadora si la puerta trasera no está cerrada a presión por resorte, de lo contrario, se pueden producir lesiones graves. Lleve la podadora al centro de mantenimiento más cercano para su reparación.

### **CÓMO RETIRAR LA PIEZA PARA MANTILLO**

Para quitar la pieza para mantillo I-3 para poder embolsar el césped o descargarlo mediante el conducto de descarga opcional, siga los pasos a continuación:

- Suelte la palanca del interruptor para apagar la podadora, espere hasta que se detenga la hoja y retire la llave de seguridad D-6.
- Levante la puerta de descarga trasera I-2 y sosténgala en esa posición.
- Coloque la mano en la cavidad del mango I-4, según se muestra, levante la pieza para mantillo I-3 y tire hacia afuera para sacarla por completo.
- La puerta de descarga trasera se acciona por resorte. Cuando la

suelte, volverá a la posición de cerrado.

## **CÓMO INSTALAR LA PIEZA PARA MANTILLO**

1. Repita los pasos 1 y 2 indicados para retirar la pieza.
2. Ahora deslice la pieza I-3 en la abertura de descarga hasta que se asiente en firme con la plataforma.
3. Suelte la puerta trasera y verifique que cierre correctamente.

## **CÓMO INSTALAR EL RECOLECTOR DE CÉSPED**

1. Suelte la palanca del interruptor para apagar la podadora, espere hasta que la hoja se detenga y retire la llave de seguridad D-6.
2. Estire la mano hasta alcanzar la parte inferior de las manijas de la podadora, levante la puerta de descarga trasera J-1 hasta una posición vertical y sostenga la puerta en esta posición. Verifique que se haya extraído la pieza para mantillo I-3.
3. Tome el recolector de césped J-2 por el mango J-3 y colóquelo entre los mangos de la podadora, según se muestra.
4. Coloque el gancho del recolector de césped J-4 sobre la podadora como se muestra en la Figura K. Suelte la puerta de descarga trasera.

**⚠ PELIGRO: Hoja móvil filosa.** Nunca haga funcionar la podadora sin verificar que el gancho del recolector de césped esté asentado en su lugar y que la puerta de descarga trasera descansa en forma firme contra la parte superior del recolector, de lo contrario, se podrían producir lesiones graves.

## **CONSEJOS CON RESPECTO A LA TAREA DE CORTE**

**NOTA: SIEMPRE EXAMINE EL ÁREA DONDE VA A UTILIZAR LA PODADORA, RETIRE PIEDRAS, PALOS, ALAMBRES, HUESOS U OTROS FRAGMENTOS QUE PODRÍAN SER EXPULSADOS POR LA HOJA EN ROTACIÓN.**

1. En las cuestas, corte el césped en dirección transversal, nunca de arriba hacia abajo. Cuando cambie de dirección, actúe con especial precaución. No corte el césped en cuestas demasiado pronunciadas. Apoye sus pies siempre en lugar firme y seguro.
2. Suelte la palanca del interruptor para apagar la podadora al cruzar un área cubierta con grava (la hoja puede expulsar las piedras).
3. Para cortar el césped en terreno escabrosos o con malezas altas, seleccione la máxima altura de corte. Cuando se intenta cortar demasiada cantidad de césped de una vez, puede dispararse el disyuntor y la podadora se detendrá. Consulte la guía de solución de problemas.
4. Si en la estación de crecimiento rápido, se utiliza un recolector de césped, pueden ocurrir atascamientos en la abertura de descarga. Suelte la palanca del interruptor para apagar la podadora y retirar la llave de seguridad. Retire el recolector y sacúdalo para que el césped caiga hacia el fondo de la bolsa. Además, limpie el césped y los residuos que se hayan compactado alrededor de la abertura de descarga. Vuelva a colocar el recolector de césped.
5. Si la podadora comienza a vibrar en forma anormal, suelte la palanca del interruptor para apagarla y retirar la llave de seguridad. Revise de inmediato para identificar la causa del problema. La vibración es una advertencia acerca de la existencia de un problema. No utilice la podadora hasta que no se haya realizado un control de mantenimiento en ella. Consulte la guía de solución de problemas en el manual.
6. **CADA VEZ QUE DEJE DE USAR LA PODADORA AUNQUE SEA DURANTE UN TIEMPO BREVE, SIEMPRE SUELTE LA PALANCA DEL INTERRUPTOR PARA APAGAR LA PODADORA Y RETIRE LA LLAVE DE SEGURIDAD.**

## **LAS SUGERENCIAS A CONTINUACIÓN LO AYUDARÁN A OPTIMIZAR EL TIEMPO DE EJECUCIÓN DE LA PODADORA INALÁMBRICA.**

1. Reduzca la velocidad en las áreas donde el césped esté demasiado alto o sea demasiado tupido.
2. Cuando utilice la pieza para hacer mantillo, no realice cortes de

más de 38 mm (1-1/2") de altura por vez.

3. Evite cortar el césped cuando está mojado porque ha llovido o ha caído rocío.
4. Corte el césped a menudo, especialmente durante los períodos de crecimiento rápido.

**NOTA: Se recomienda recargar la podadora después de su uso. La carga frecuente no daña la batería y, de esta manera, usted se asegura que esté totalmente cargada para la próxima vez que desee utilizar la podadora.**

## **CONSEJOS PARA EL CORTE DEL CÉSPED PARA FORMAR MANTILLO**

Black & Decker le envía la podadora con la pieza para mantillo ya instalada.

En relación con la formación de mantillo, su nueva podadora está diseñada para triturar los recortes de césped en pequeños pedazos y distribuirlos sobre el terreno. En condiciones normales, el césped finamente cortado se biodegradará con rapidez y proporcionará ricos nutrientes al césped.

Revise las siguientes recomendaciones para optimizar el rendimiento con respecto a la formación de mantillo.

1. Evite cortar el césped cuando está mojado porque ha llovido o ha caído rocío. El césped mojado puede formar terrones que afectarán la formación del mantillo y lentificarán el tiempo de ejecución. La mejor hora para cortar el césped es la última hora de la tarde porque el césped está seco y el área recién cortada no queda expuesta a la luz solar directa.
2. Para lograr un rendimiento óptimo con respecto al corte para mantillo, ajuste la altura de la podadora para que el recorte de césped sea de aproximadamente un tercio de la longitud de la hoja, la medida ideal es de 38 mm (1-1/2") como máximo por vez. Si el césped está muy crecido, probablemente sea necesario aumentar la altura de corte para reducir el esfuerzo del empuje e impedir la sobrecarga del motor. En caso de cortes para mantillo en áreas de césped muy tupido, se recomienda cortar primero a una altura y luego volver a realizar un corte final a la altura deseada. Otra opción es reducir el ancho del corte y cortar lentamente.
3. Para lograr un rendimiento óptimo de la podadora, mantenga la cubierta limpia, sin acumulación de césped compactado. De tanto en tanto, suelte la palanca del interruptor para apagar la podadora y espere que se detenga la hoja por completo. Luego, retire la llave de seguridad y voltee la unidad sobre uno de los lados. Utilice un objeto, por ejemplo, un palo, para limpiar la acumulación de césped en la zona de la hoja. Preste atención para no lastimarse con los bordes filosos de la hoja. Realice esta limpieza frecuentemente cuando corte césped de primavera húmedo, y cada vez que termine de utilizar la podadora.
4. Para determinados tipos o estados de césped, puede ocurrir que sea necesario realizar el corte para mantillo dos veces con el fin de dispersar el césped en el terreno. Si se corta por segunda vez, se recomienda cortar en dirección perpendicular (transversal) al corte anterior. **NUNCA CAMBIE LA DIRECCIÓN DE CORTE SI ESTO LO OBLIGA A CORTAR EN DIRECCIÓN DESCENDENTE EN UNA CUESTA.**
5. Cambie su patrón de corte de una semana a la otra. De esta manera, evitará que se produzcan apelmazamientos de césped sobre el terreno.

## **MANTENIMIENTO**

**IMPORTANTE:** A fin de garantizar la SEGURIDAD y CONFIABILIDAD del producto, las reparaciones, el mantenimiento y los ajuste (incluidos la inspección y el reemplazo de cepillos) deben ser realizados en los centros de mantenimiento BLACK & DECKER u otras organizaciones de servicio calificadas. Todo ellos siempre utilizan piezas de repuesto Black & Decker. Cuando realice tareas de mantenimiento, utilice ÚNICAMENTE PIEZAS DE REPUESTO IDÉNTICAS.

**CONSULTE LOS DIAGRAMAS (A, B, C...) Y LOS NÚMEROS DE LOS ÍTEMS (1, 2, 3...), SEGÚN SE INDICA EN EL MANUAL. POR EJEMPLO, LA INDICACIÓN A-1 SER REFIERE AL ÍTEM 1 DE LA FIGURA A.**

## CÓMO EXTRAER E INSTALAR LA HOJA

1. Suelte la palanca del interruptor para apagar la podadora, ESPERE QUE SE DETENGA LA HOJA Y RETIRE LA LLAVE DE SEGURIDAD.
2. Corte un trozo de madera N-1 de 2 x 4 [aproximadamente 61 cm (2') de largo], este se utilizará para impedir que la hoja rote cuando se extraiga la tuerca con brida.
3. Voltee la podadora sobre uno de los lados. Utilice guantes y protección ocular adecuada. Preste atención para no lastimarse con los bordes filosos de la hoja. Ubique la madera y retire la tuerca con brida N-3 usando una llave N-2 de 19 mm (3/4") como se muestra en la Figura N.
4. Retire el espaciador metálico cuadrado O-2, el aislador plástico cuadrado O-3 y la hoja O-4, como se muestra en la Figura O. Examine el aislador para ver si está dañado y reemplazarlo si es necesario.
5. Cuando vuelva a colocar una hoja nueva o afilada sobre el resalto del ventilador O-5, verifique que el lado "GRASS SIDE" ("LADO DE CÉSPED") de la hoja quede en dirección hacia el piso cuando vuelva la podadora a su posición vertical normal. Después de instalar la hoja O-4, coloque el aislador O-3 de manera que los rebordes elevados de un lado enganchen en los bordes de la hoja. Ahora, instale el espaciador O-2 para que se asiente en el interior de los rebordes elevados sobre el otro lado del aislador. Asegúrese de alinear las partes planas del agujero del espaciador con las del eje, para esto gire la hoja y el aislador en conjunto, si es necesario. Ubique la pieza de madera P-1 para impedir que la hoja gire, tal como muestra la Figura P. Coloque la tuerca colocando su brida contra el espaciador y ajuste con firmeza.

## CÓMO AFILAR LA HOJA

PARA LOGRAR UN RENDIMIENTO ÓPTIMO DE SU PODADORA, SIEMPRE MANTENGA LA HOJA AFILADA. UNA HOJA DESAFILADA NO PRODUCE UN CORTE LIMPIO DEL CÉSPED NI CORTES ADECUADOS PARA MANTILLO.

UTILICE PROTECCIÓN OCULAR APROPIADA PARA EXTRAER, AFILAR E INSTALAR LA HOJA. VERIFIQUE QUE SE HA RETIRADO LA LLAVE DE SEGURIDAD.

En situaciones normales, por lo general, es suficiente afilar la hoja dos veces durante la temporada de corte. La arena hace que la hoja se desafilé rápidamente. Si su terreno es de suelo arenoso, probablemente sea necesario afilarla con más frecuencia.

SI LA HOJA ESTÁ CURVADA O DAÑADA, REEMPLÁCELA DE INMEDIATO.

### RECOMENDACIONES PARA EL AFILADO DE LA HOJA:

1. Verifique que la hoja esté balanceada.
2. Afile la hoja según el ángulo de corte original.
3. Afile los bordes de corte en ambos extremos de la hoja, retire la misma cantidad de material en ambos extremos.

### PARA AFILAR LA HOJA EN UNA PRENSA:

1. Asegúrese de que la palanca del interruptor se ha soltado, la hoja se ha detenido y la llave de seguridad se ha retirado de la unidad.
2. Quite la hoja de la podadora. Consulte las instrucciones para retirar e instalar la hoja.
3. Asegure la hoja L-1 en la prensa L-2.
4. Use guantes y una protección ocular apropiada, preste atención para no lastimarse.
5. Lime con cuidado los bordes cortantes de la hoja utilizando una lima de dientes finos L-3 o una piedra de afilar, conserve siempre el borde de corte original.
6. Verifique que la hoja esté balanceada. Consulte las instrucciones de balanceo.
7. Vuelva a colocar la hoja en la podadora y ajuste con firmeza.

## BALANCEO DE LA HOJA

Verifique el balanceo de la hoja: Ubique el agujero central M-1 a través de un clavo o de un destornillador de cuerpo redondo M-2, previamente asegurados en la prensa M-3 en dirección horizontal. Si alguno de los extremos de la hoja rota hacia abajo, lime ese extremo. La hoja está bien balanceada cuando ninguno de los extremos rota hacia abajo.

## LUBRICACIÓN

No es necesario realizar ningún tipo de lubricación. No engrase las ruedas. Tienen una superficie de rodamiento plástico que no necesita lubricación.

## LIMPIEZA

**SUELTE LA PALANCA DEL INTERRUPTOR PARA APAGAR LA PODADORA, ESPERE QUE LA HOJA SE DETENGA Y LUEGO RETIRE LA LLAVE DE SEGURIDAD. PARA LIMPIAR LA PODADORA, UTILICE ÚNICAMENTE JABÓN SUAVE Y UN PAÑO HÚMEDO. LIMPIE LA UNIDAD Y RETIRE LOS RECORTES DE CÉSPED ACUMULADOS EN LA PARTE INFERIOR DE LA PLATAFORMA. DESPUÉS DE HABER UTILIZADO LA UNIDAD VARIAS VECES, REVISE LAS SUJECIONES EXTERNAS PARA VERIFICAR QUE ESTÉN FIRMEMENTE AJUSTADAS.**

## CÓMO EVITAR LA CORROSIÓN

Los fertilizantes y otros productos químicos de jardinería contienen agentes que aceleran considerablemente la corrosión de los metales. Si utiliza la podadora en áreas donde se han aplicado fertilizantes y otros productos químicos, limpie la unidad inmediatamente después de finalizar el trabajo según las indicaciones a continuación: (1) Suelte la palanca del interruptor para apagar la podadora y retire la llave de seguridad. (2) Limpie todas las piezas expuestas con un paño húmedo.

**⚠ PRECAUCIÓN:** NO LIMPIE LA PODADORA VERTIENDO O PULVERIZANDO AGUA SOBRE LA UNIDAD.

No guarde la herramienta junto a fertilizantes o productos químicos porque estos pueden provocar rápida corrosión en la unidad.

## TRANSPORTE Y ALMACENAMIENTO

**⚠ PELIGRO:** Las hojas giratorias pueden provocar lesiones graves. Antes de levantar, transportar o guardar la unidad, suelte la palanca del interruptor para apagar la podadora y retire la llave de seguridad. Guarde la unidad en un lugar seco.

## ALMACENAMIENTO DE LA UNIDAD FUERA DE TEMPORADA

1. En los climas cálidos, para lograr el rendimiento óptimo de la unidad, se recomienda mantener la batería en modo de carga constante.
2. Se puede guardar la podadora con el cargador desconectado si se cumplen todas las condiciones que se enumeran a continuación:
  - la podadora está totalmente cargada antes de guardarla.
  - la temperatura promedio del lugar de almacenamiento está por debajo de 10 °C (50 °F).
  - el tiempo de almacenamiento es menor de 6 meses.

## MANTENIMIENTO E INSTALACIÓN DE LA BATERÍA

Si la batería requiere servicios de mantenimiento o una reparación, se recomienda llevar la podadora a un centro de mantenimiento Black & Decker autorizado.

Cada vez que realice el mantenimiento o reemplace las baterías, tenga en cuenta las siguientes consideraciones:

- Una vez que las baterías alcancen el fin de su vida útil, se deben reemplazar las dos baterías al mismo tiempo. La mezcla de baterías nuevas con baterías descargadas puede aumentar la presión interna de las celdas y provocar su rotura.
- Cuando se inserten baterías en este producto, se debe respetar la polaridad o dirección correcta. La colocación de las baterías en sentido inverso puede provocar fugas o explosión.

## EL SELLO RBRC™

El sello RBRC™ en las baterías de níquel-cadmio indica que Black & Decker participa voluntariamente en un programa industrial para recolectar y reciclar estas baterías al término de su vida útil, cuando se retiran de servicio dentro de los Estados Unidos. El programa RBRC™ proporciona una conveniente alternativa para el depósito en los lotes de basura municipales de las baterías de níquel-cadmio desgastadas, hecho que es ilegal en algunas regiones.

Los pagos de Black & Decker a RBRC™ hacen más sencillo para usted deshacerse de sus baterías desgastadas con los distribuidores de baterías de níquel-cadmio de su localidad, o en los centros de servicio autorizado Black & Decker. También puede comunicarse al centro de reciclaje de su localidad para que le informen de los lugares a los que puede regresar las baterías desgastadas. La entrada de Black & Decker a este programa es parte de su compromiso para proteger nuestro medio ambiente y conservar los recursos naturales.



## Accesorios

Los accesorios recomendados para usar con la podadora están disponibles en su distribuidor local o centro de mantenimiento autorizado. Si necesita asistencia en relación con los accesorios, llame al: **1-800-544-6986**

**⚠ ADVERTENCIA:** El uso de accesorios no recomendados para utilizar con esta herramienta puede resultar peligroso.

p/n 242354-01 INSERTO PARA  
DESBROZAR

p/n 242867-00 CONDUCTO DE DESCARGA  
LATERAL

p/n 242501-05 BOLSA RECOLECTORA DE  
PASTO DE REPUESTO

MB-850 HOJA DE REPUESTO

### **A CONTINUACIÓN, ALGUNOS CONSEJOS ÚTILES PARA OBTENER EL MÁXIMO RENDIMIENTO DE SU PODADORA INALÁMBRICA BLACK & DECKER... Y PARA QUE SU CÉSPED LUZCA FANTÁSTICO**

1. El primer corte se debe realizar en primavera cuando el césped tiene aproximadamente 63 mm (2 1/2") o 76 mm (3") de alto. De lo contrario, si se corta el césped demasiado temprano, se limitan los sistemas radiculares que se autorenievan en cada primavera. El césped nuevo se debe cortar cuando alcanza una altura de 63 mm (2 1/2").
2. No corte el césped de una altura excesiva de una sola vez... la pauta a seguir es no cortar nunca más de 1/3 de la altura de la hoja durante cada sesión de corte. El corte de césped demasiado corto da como resultado un sistema radicular de poca profundidad, lo que hace que el césped tenga dificultades para alcanzar el agua del suelo.
3. Los especialistas en césped indican que el corte excesivamente corto es la causa de muchas de las dificultades que se observan en el crecimiento de céspedes. La profundidad y la fortaleza de las raíces tienen una relación directamente proporcional al crecimiento. Los céspedes maduros con frecuencia sufren daños importantes cuando se los corta a una altura menor de 38 mm (1 1/2") y en los terrenos más extensos es conveniente respetar una altura entre 38 mm (1 1/2") y 50 mm (2").
4. Corte el césped cuando está seco para evitar la compactación del césped húmedo. Si puede elegir, la última hora de la tarde es la hora ideal para cortar el césped, no sólo porque el pasto está seco sino porque además el área recientemente cortada no queda expuesta a la intensa luz solar.
5. Para lograr un corte limpio, mantenga la hoja de corte afilada. Esto optimiza el rendimiento de la podadora y realza el aspecto de su césped. Una hoja sin filo destroza y lastima las puntas del césped, así se perjudica el crecimiento saludable y se incrementa su sensibilidad a desarrollar enfermedades. Las puntas lastimadas producen un color amarillado que otorgan al césped un aspecto poco saludable. Una hoja sin filo también puede desenterrar las plantas recién nacidas.
6. Trate de cortar el césped siempre a la misma altura de corte (corte uniforme). Si bien hay momentos en que debe variar la altura de corte debido al cambio de estaciones, también, respetar una altura de corte uniforme, produce un césped más sano, de mejor aspecto y con menor cantidad de malezas. Corte el césped más frecuentemente durante los períodos de crecimiento rápido. El corte frecuente garantiza que la porción inferior, menos atractiva del césped no sea visible.
7. Si su césped ha crecido a una altura excesiva (por ejemplo, las vacaciones pueden ocasionar la interrupción de su programa de cortes), realice el corte con una altura una o dos posiciones más altas que la posición habitual. Una segunda pasada con una altura de corte normal unos días más tarde, será suficiente para volver al programa de corte habitual. El cambio de la altura de corte es sumamente sencillo gracias al sistema Black & Decker de ajuste de altura de ruedas de un solo toque, este sistema permite ajustar las cuatro ruedas de una sola vez.
8. Durante la primavera y el otoño, (o después de una interrupción del programa de cortes), el césped estará más largo y más tupido. Si percibe que el motor reduce su velocidad continuamente durante la sesión de corte, intente ajustar las ruedas a una altura mayor de corte. La sobrecarga del motor da como resultado un corte despereado, la descarga rápida de la batería y además puede provocar el disparo del disyuntor que a su vez provocará la detención del motor.
9. Tres buenas ideas para realzar el aspecto del césped: Varíe la dirección de corte con frecuencia, corte en dirección horizontal en las laderas (esto es también una buena práctica de seguridad) y no se olvide de solapar el recorrido de corte en cada pasada.
10. Siempre corte el césped para que los recortes se descarguen sobre el terreno. De esta manera, el césped tendrá un aspecto siempre fresco al evitarse la acumulación de "césped cortado" que a su turno tomará una coloración marrón y dará un aspecto descuidado. Este método también preserva la carga de la batería y le asegura el rendimiento máximo de su podadora eléctrica inalámbrica Black & Decker.
11. Durante las estaciones de primavera y otoño, cuando el césped está alto y tupido, puede utilizar la podadora sin necesidad de que esté recargada por completo. (la luz indicadora de carga de color verde debe estar encendida). Esto le permitirá realizar tareas breves de corte, pero no recomendamos que lo haga con frecuencia. La batería y la podadora tienen mejor rendimiento con carga completa.

## EXCEPTO ESTAS INSTRUCCIONES PARA EL USO FUTURO

### INFORMACIÓN DE MANTENIMIENTO

Todos los Centros de mantenimiento de Black & Decker cuentan con personal altamente capacitado dispuesto a brindar a todos los clientes un servicio eficiente y confiable en la reparación de herramientas eléctricas. Si necesita consejo técnico, reparaciones o piezas de repuesto originales de fábrica, póngase en contacto con el centro de mantenimiento de Black & Decker más cercano a su domicilio. Para ubicar su centro de servicio local, consulte la sección "Herramientas eléctricas" (Tools-Electric) de las páginas amarillas, llame al **(55)5326-7100** o visite nuestro sitio **www.blackanddecker.com**.

### GARANTÍAS

#### GARANTÍA COMPLETA DE DOS AÑOS PARA USO EN EL HOGAR

Black & Decker (Estados Unidos) Inc. ofrece una garantía de dos años por cualquier defecto del material o de fabricación de este producto. El producto defectuoso se reparará o reemplazará sin costo alguno de dos maneras.

La primera opción, el reemplazo, es devolver el producto al comercio donde se lo adquirió (siempre y cuando se trate de un comercio participante). Las devoluciones deben realizarse conforme a la política de devolución del comercio (generalmente, entre 30 y 90 días posteriores a la venta). Le pueden solicitar comprobante de compra. Consulte en el comercio acerca de la política especial sobre devoluciones una vez excedido el plazo establecido.

La segunda opción es llevar o enviar el producto (con flete pago) a un Centro de mantenimiento propio o autorizado de Black & Decker para su reparación o reemplazo según nuestro criterio. Le pueden solicitar el comprobante de compra. Los Centros de mantenimiento autorizados y de propiedad de Black & Decker se detallan en la sección

"Herramientas eléctricas" (Tools-Electric) de las páginas amarillas de la guía telefónica.

Esta garantía no se extiende a los accesorios. Esta garantía le concede derechos legales específicos; usted puede tener otros derechos que pueden variar según el estado o la provincia. Si tiene alguna pregunta, comuníquese con el gerente del Centro de mantenimiento de Black & Decker de su zona. Este producto no está diseñado para uso comercial.

#### REEMPLAZO GRATUITO DE LAS ETIQUETAS DE

**ADVERTENCIAS:** si sus etiquetas de advertencia se tornan ilegibles o faltan, llame al **(55)5326-7100** para que se le reemplacen gratuitamente.

### Garantía en la cubierta

Garantía de por vida para la CUBIERTA únicamente contra cualquier defecto en el material o mano de obra.

Este producto no ha sido diseñado para uso comercial.

# GUÍA DE SOLUCIÓN DE PROBLEMAS

<b>PROBLEMA</b>	<b>SOLUCIÓN</b>
1. La podadora no funciona cuando se acciona la palanca del interruptor.	<p>A. Verifique que la llave de seguridad está insertada y que asienta por completo.</p> <p>B. Suelte la palanca del interruptor para apagar la podadora. Retire la llave de seguridad, voltee la unidad y verifique que la hoja gire libremente.</p> <p>C. ¿Se ha cargado la batería por completo? Enchufe el cargador y espere hasta que se prenda la luz verde.</p>
2. El motor se detiene mientras está cortando el césped.	<p>A. Suelte la palanca del interruptor para apagar la podadora. Retire la llave de seguridad. Voltee la unidad y verifique que la hoja gire libremente.</p> <p>B. Eleve la altura de corte de las ruedas a la posición más alta y encienda la podadora.</p> <p>C. ¿Se ha cargado la batería por completo? Enchufe el cargador y espere hasta que se prenda la luz verde.</p> <p>D. Es probable que se haya disparado el disyuntor. Se restaura automáticamente. El tiempo de restauración puede ser de 1 minuto. Disminuya o aumente la altura de corte.</p>
3. La podadora funciona, pero el rendimiento de corte no es satisfactorio o no corta el césped en su totalidad.	<p>A. ¿Se ha cargado la batería por completo? Enchufe el cargador y espere hasta que se prenda la luz verde.</p> <p>B. Suelte la palanca del interruptor para apagar la podadora. Retire la llave de seguridad. Voltee la podadora y verifique que: *la hoja esté afilada. *no haya obstrucciones en la plataforma o en el conducto de descarga.</p> <p>C. Es probable que la altura de las ruedas se haya fijado en una posición demasiado baja para el estado del césped. Eleve la altura de corte.</p>
4. La podadora está demasiado dura para empujarla.	<p>A. Eleve la altura de corte para reducir el rozamiento de la plataforma contra el césped. Verifique que cada rueda gire libremente.</p>
5. La podadora produce vibraciones y ruidos de una manera inusual.	<p>A. Suelte la palanca del interruptor para apagar la podadora. Retire la llave de seguridad. Voltee la podadora sobre uno de los lados y revise la hoja para asegurarse de que no esté curvada o dañada. Si la hoja está dañada, reemplácela por una hoja de repuesto Black &amp; Decker. Si la parte inferior está dañada, envíe la podadora a un centro de mantenimiento Black &amp; Decker autorizado.</p> <p>B. Si no hay daños visibles en la hoja y la podadora aún vibra: Suelte la palanca del interruptor para apagar la unidad, retire la llave de seguridad y luego, la hoja. Haga girar la hoja 180° y vuelva a ajustarla. Si aún así la podadora sigue vibrando, envíela a un centro de mantenimiento Black &amp; Decker autorizado.</p>

## **NOTA:**

Usted puede usar su podadora aunque la luz roja permanezca encendida incluso después de cargar la batería durante 24 horas en la carga inicial. Es probable que la batería necesite "acondicionarse" a través de algunos ciclos de carga y descarga antes de que se encienda la luz verde.

**ESTA GUÍA SÓLO TIENE POR OBJETO PODER REALIZAR CONTROLES VISUALES Y PRUEBAS SENCILLAS. EN CASO DE QUE NINGUNA DE LAS SOLUCIONES PROPORCIONE SATISFACCIÓN NI MEJORE EL RENDIMIENTO DE LA PODADORA, LLAME AL (55)5326-7100 PARA HABLAR CON UN REPRESENTANTE DE ATENCIÓN AL CONSUMIDOR O LLEVE LA PODADORA AL CENTRO DE MANTENIMIENTO BLACK & DECKER AUTORIZADO MÁS PRÓXIMO.**

**Para reparación y servicio de sus herramientas eléctricas,  
favor de dirigirse al Centro de Servicio más cercano:**

**CULIACAN, SIN**

Av. Nicolás Bravo #1063 Sur  
(667) 7 12 42 11  
Col. Industrial Bravo

**GUADALAJARA, JAL**

Av. La Paz #1779  
(33) 3825 6978  
Col. Americana Sector Juarez

**MEXICO, D.F.**

Eje Central Lázaro Cardenas  
No. 18  
(55) 5588 9377  
Local D, Col. Obrera

**MERIDA, YUC**

Calle 63 #459-A  
(999) 928 5038  
Col. Centro

**MONTERREY, N.L.**

Av. Francisco I. Madero  
No.831  
(81) 8375 2313  
Col. Centro

**PUEBLA, PUE**

17 Norte #205  
(222) 246 3714  
Col. Centro

**QUERETARO, QRO**

Av. Madero 139 Pte.  
(442) 214 1660  
Col. Centro

**SAN LUIS POTOSI, SLP**

Av. Universidad 1525  
(444) 814 2383  
Col. San Luis

**TORREON, COAH**

Bld. Independencia, 96  
Pte.  
(871) 716 5265  
Col. Centro

**VERACRUZ, VER**

Prolongación Díaz Mirón  
#4280  
(229)921 7016  
Col. Remes

**VILLAHERMOSA, TAB**

Constitución 516-A  
(993) 312 5111  
Col. Centro

**PARA OTRAS LOCALIDADES LLAME AL: (55) 5326 7100**

**Vea "Herramientas  
eléctricas (Tools-Electric)"  
- Páginas amarillas -  
para Servicio y ventas**



BLACK & DECKER S.A. DE C.V.  
BOSQUES DE CIDROS ACCESO RADIATAS NO. 42  
COL. BOSQUES DE LAS LOMAS.  
05120 MÉXICO, D.F.  
TEL. 55-5326-7100