

FIRESTORM[®]

HIGH PERFORMANCE TOOLS

Outils à haut rendement
Herramientas de alto rendimiento

BY BLACK & DECKER

12 VOLT DRILL

INSTRUCTION MANUAL

Catalog Number FS1200D

THANK YOU FOR CHOOSING BLACK & DECKER!
GO TO WWW.BLACKANDDECKER.COM/NEWOWNER
TO REGISTER YOUR NEW PRODUCT.

**BEFORE RETURNING THIS PRODUCT
FOR ANY REASON PLEASE CALL
1-800-544-6986**

BEFORE YOU CALL, HAVE THE CATALOG No. AND DATE CODE AVAILABLE. IN MOST CASES, A BLACK & DECKER REPRESENTATIVE CAN RESOLVE THE PROBLEM OVER THE PHONE. IF YOU HAVE A SUGGESTION OR COMMENT, GIVE US A CALL. YOUR FEEDBACK IS VITAL TO BLACK & DECKER.

KEY INFORMATION YOU SHOULD KNOW:

- Charge battery for 9 hours before first use. For more information see "CHARGING THE BATTERY PACK".

SAVE THIS MANUAL FOR FUTURE REFERENCE.

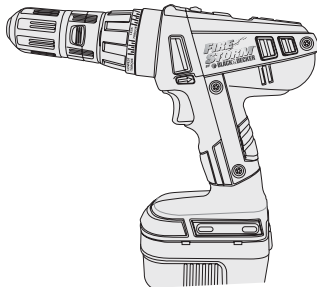
VEA EL ESPAÑOL EN LA CONTRAPORTADA.

INSTRUCTIVO DE OPERACIÓN, CENTROS DE SERVICIO Y POLIZA DE GARANTÍA. ADVERTENCIA: LEÁSE ESTE INSTRUCTIVO ANTES DE USAR EL PRODUCTO.

Cat #. FS1200D
(FEB. -06)

Form # 5146603-00 Rev. 1
Copyright © 2006 Black & Decker

Printed in China



GENERAL SAFETY RULES - FOR ALL BATTERY OPERATED TOOLS

WARNING! READ AND UNDERSTAND ALL INSTRUCTIONS.

Failure to follow all instructions listed below, may result in electric shock, fire and/or serious personal injury.

SAVE THESE INSTRUCTIONS

Work Area

- **Keep your work area clean and well lit.** Cluttered benches and dark areas invite accidents.
- **Do not operate power tools in explosive atmospheres, such as in the presence of flammable liquids, gases, or dust.** Power tools create sparks which may ignite the dust or fumes.
- **Keep bystanders, children, and visitors away while operating a power tool.** Distractions can cause you to lose control.

Electrical Safety

- **Do not abuse the cord. Never use the cord to carry the tool. Keep cord away from heat, oil, sharp edges or moving parts. Replace damaged cords immediately.** Damaged cords may create a fire.
- **A battery operated tool with integral batteries or a separate battery pack must be recharged only with the specified charger for the battery.** A charger that may be suitable for one type of battery may create a risk of fire when used with another battery.
- **Use battery operated tool only with specifically designated battery pack.** Use of any other batteries may create a risk of fire.

Personal Safety

- **Stay alert, watch what you are doing and use common sense when operating a power tool. Do not use tool while tired or under the influence of drugs, alcohol, or medication.** A moment of inattention while operating power tools may result in serious personal injury.
- **Dress properly. Do not wear loose clothing or jewelry. Contain long hair. Keep your hair, clothing, and gloves away from moving parts.** Loose clothing, jewelry, or long hair can be caught in moving parts. Air vents cover moving parts and should be avoided.
- **Avoid accidental starting. Be sure switch is in the locked or off position before inserting battery pack.** Carrying tools with your finger on the switch or inserting the battery pack into a tool with the switch on invites accidents.
- **Remove adjusting keys or wrenches before turning the tool on.** A wrench or key that is left attached to a rotating part of the tool may result in personal injury.
- **Do not overreach. Keep proper footing and balance at all times.** Proper footing and balance enables better control of the tool in unexpected situations.
- **Use safety equipment. Always wear eye protection.** Dust mask, non-skid safety shoes, hard hat, or hearing protection must be used for appropriate conditions.

Tool Use and Care

- **Use clamps or other practical way to secure and support the workpiece to a stable platform.** Holding the work by hand or against your body is unstable and may lead to loss of control.
- **Do not force tool. Use the correct tool for your application.** The correct tool will do the job better and safer at the rate for which it is designed.
- **Do not use tool if switch does not turn it on or off.** A tool that cannot be controlled with the switch is dangerous and must be repaired.
- **Disconnect battery pack from tool or place the switch in the locked or off position before making any adjustments, changing accessories, or storing the tool.** Such preventative safety measures reduce the risk of starting the tool accidentally.
- **Store idle tools out of reach of children and other untrained persons.** Tools are dangerous in the hands of untrained users.
- **When battery pack is not in use, keep it away from other metal objects like: paper clips, coins, keys, nails, screws or other small metal objects that can make a connection from one terminal to another.** Shorting the battery terminals together may cause sparks, burns, or a fire.
- **Maintain tools with care. Keep cutting tools sharp and clean.** Properly maintained tools, with sharp cutting edge are less likely to bind and are easier to control.

- **Check for misalignment or binding of moving parts, breakage of parts, and any other condition that may affect the tool's operation. If damaged, have the tool serviced before using.** Many accidents are caused by poorly maintained tools.
- **Use only accessories that are recommended by the manufacturer for your model.** Accessories that may be suitable for one tool may create a risk of injury when used on another tool.

Service

- **Tool service must be performed only by qualified repair personnel.** Service or maintenance performed by unqualified personnel could result in a risk of injury.
- **When servicing a tool, use only identical replacement parts. Follow instructions in the Maintenance section of this manual.** Use of unauthorized parts or failure to follow Maintenance Instructions may create a risk of electric shock or injury.

Specific Safety Rules

- **Hold tool by insulated gripping surfaces when performing an operation where the cutting tool may contact hidden wiring or its own cord.** Contact with a "live" wire will make exposed metal parts of the tool "live" and shock the operator.
- **When working on a ladder or on scaffolding be sure to lay the tool down on its side when not in use.** Some tools with large battery packs will stand upright but may be easily knocked over.

WARNING: Some dust created by power sanding, sawing, grinding, drilling, and other construction activities contains chemicals known to cause cancer, birth defects or other reproductive harm. Some examples of these chemicals are:

- lead from lead-based paints,
- crystalline silica from bricks and cement and other masonry products, and
- arsenic and chromium from chemically-treated lumber (CCA).

Your risk from these exposures varies, depending on how often you do this type of work. To reduce your exposure to these chemicals: work in a well ventilated area, and work with approved safety equipment, such as those dust masks that are specially designed to filter out microscopic particles.

- **Avoid prolonged contact with dust from power sanding, sawing, grinding, drilling, and other construction activities. Wear protective clothing and wash exposed areas with soap and water.** Allowing dust to get into your mouth, eyes, or lay on the skin may promote absorption of harmful chemicals.

WARNING: Use of this tool can generate and/or disperse dust, which may cause serious and permanent respiratory or other injury. Always use NIOSH/OSHA approved respiratory protection appropriate for the dust exposure. Direct particles away from face and body.

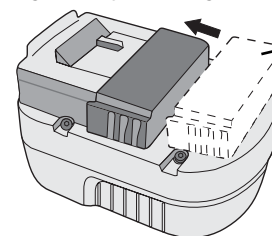
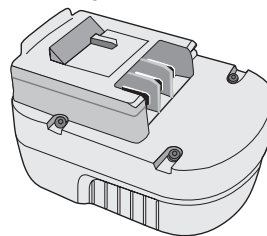
The label on your tool may include the following symbols.

V	volts	A	amperes
Hz	hertz	W	watts
min	minutes	~	alternating current
— — —	direct current	n _o	no load speed
□	Class II Construction	⊕	earthing terminal
⚠	safety alert symbol	.../min	revolutions or reciprocations per minute

Before operating this tool, carefully read and understand all instructions in the "Important Safety Instructions" section.

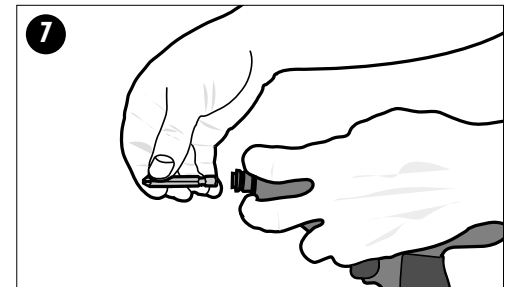
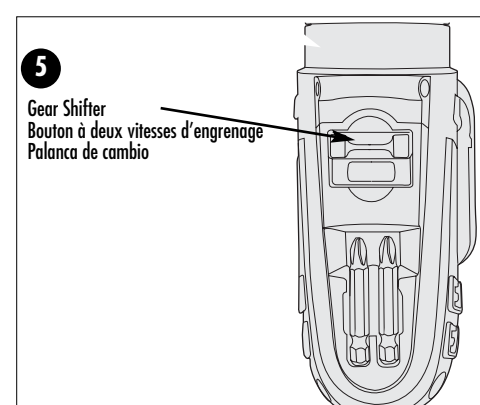
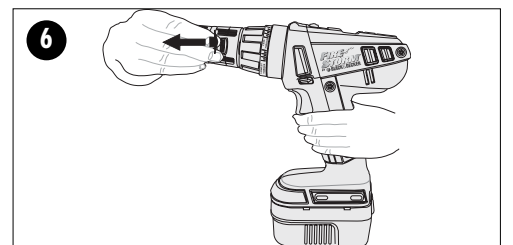
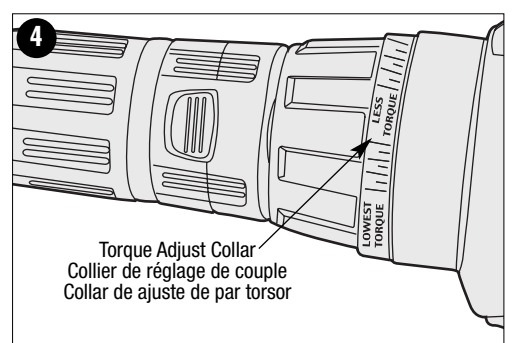
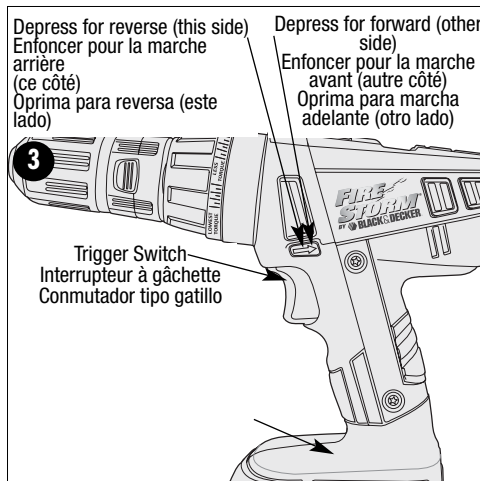
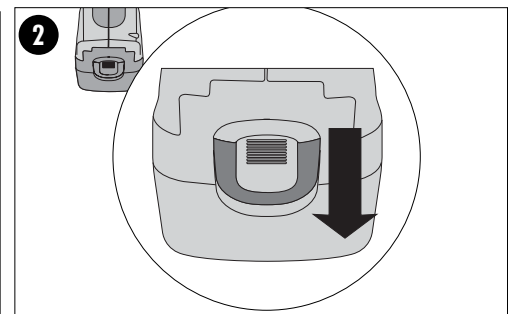
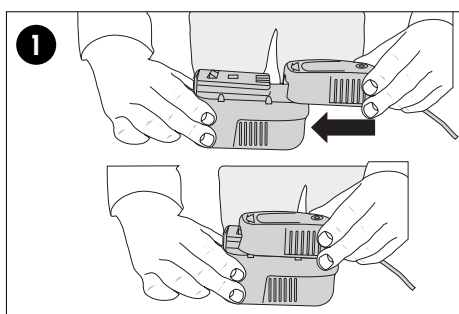
Battery Cap Information

Battery storage and carrying caps are provided for use whenever the battery is out of the tool or charger. Remove cap before placing battery in charger or tool.



Battery Cap
Capuchon du bloc-pile
Protector de la batería

WARNING: Do not store or carry battery so that metal objects can contact exposed battery terminals. For example, do not place battery in aprons, pockets, tool boxes, product kit boxes, drawers, etc. with loose nails, screws, keys, etc. without battery cap. Transporting batteries can possibly cause fires if the battery terminals inadvertently come in contact with conductive materials such as keys, coins, hand tools and the like. The US Department of Transportation Hazardous Material Regulations (HMR) actually prohibit transporting batteries in commerce or on airplanes (i.e. packed in suitcases and carryon luggage) UNLESS they are properly protected from short circuits. So when transporting individual batteries, make sure that the battery terminals are protected and well insulated from materials that could contact them and cause a short circuit.



⚠ Safety Warnings and Instructions: Charging the Drill

1. This manual contains important safety and operating instructions.
2. Before using battery charger, read all instructions and cautionary markings on (1) battery charger, (2) battery, and (3) product using battery.
3. ⚠ **CAUTION:** To reduce the risk of injury, charge only Black & Decker Battery Packs. Other types of batteries may burst causing personal injury and damage.
4. Do not expose charger to rain or snow.
5. Use of an attachment not recommended or sold by Black & Decker may result in a risk of fire, electric shock, or injury to persons.
6. To reduce risk of damage to electric plug and cord, pull by plug rather than cord when disconnecting charger.
7. Make sure cord is located so that it will not be stepped on, tripped over, or otherwise subjected to damage or stress.
8. An extension cord should not be used unless absolutely necessary. Use of improper extension cord could result in a risk of fire, electric shock or electrocution.
- a. Two-wire cords can be used with 2-wire or 3-wire extension cords. Only round jacketed extension cords should be used, and we recommend that they be listed by Underwriters Laboratories (U.L.). If the extension is to be used outside, the cord must be suitable for outdoor use. Any cord marked for outdoor use can also be used for indoor work. The letters "W" or "WA" on the cord jacket indicate that the cord is suitable for outdoor use.
- b. An extension cord must have adequate wire size (AWG or American Wire Gauge) for safety, and to prevent loss of power and overheating. The smaller the gauge number of the wire, the greater the capacity of the cable; that is, 16 gauge has more capacity than 18 gauge. When using more than one extension to make up the total length, be sure each extension contains at least the minimum wire size.

CHART FOR MINIMUM WIRE SIZE (AWG) OF EXTENSION CORDS NAMEPLATE RATING AMPS – 0 – 10.0

Total Extension Cord Length (ft)	25	50	75	100	125	150
Wire Gauge	18	18	16	16	14	14

9. Use only the supplied charger when charging your drill. The use of any other charger could damage the drill or create a hazardous condition.
10. Use only one charger when charging.
11. Do not attempt to open the charger or the drill. There are no customer serviceable parts inside. Return to any authorized Black & Decker service center.
12. DO NOT incinerate the drill or battery packs even if they are severely damaged or completely worn out. The batteries can explode in a fire.
13. A small leakage of liquid from the battery cells may occur under extreme usage, charging or temperature conditions. This does not indicate a failure. However, if the outer seal is broken and this leakage gets on your skin:
 - a. Wash quickly with soap and water.
 - b. Neutralize with a mild acid such as lemon juice or vinegar.
 - c. If the battery liquid gets in your eyes, flush them with clean water for a minimum of 10 minutes and seek immediate medical attention. **MEDICAL NOTE:** The liquid is a 25-35% solution of potassium hydroxide.

Charging the Battery Pack

THE BATTERY PACK IS NOT FULLY CHARGED AT THE FACTORY. BEFORE ATTEMPTING TO CHARGE THE BATTERY PACK, THOROUGHLY READ ALL OF THE SAFETY INSTRUCTIONS.

The charger is designed to use standard household 120 volt 60 Hz power.

1. Plug the charger into any standard 120 Volt 60 Hz electrical outlet. **NOTE: Do not charge by means of an engine generator or DC power source. Use only 120V AC**
2. Slide the charger onto the battery pack as shown in **Figure 1** and let the battery charge initially for **9 hours**. After the initial charge, under normal usage, your battery pack should be fully charged in **3 to 6 hours**.
3. Unplug charger, and remove the battery pack. **Place the battery in the tool and be certain that it is inserted fully into the tool cavity until it “clicks” into place.**

NOTE: To remove the battery from the drill, press down on the release button on the back of the battery (**Figure 2**) and slide out.

Important Charging Notes

1. After normal usage, your battery pack should be fully charged in 3 to 6 hours. If the battery pack is run-down completely, it may take up to 6 hours to become fully charged. Your battery pack was sent from the factory in an uncharged condition. Before attempting to use it, it must be charged for at least 9 hours.
2. DO NOT charge the battery pack in an air temperature below 40°F (4,5 °C) or above 105°F (40,5 °C) This is important and will prevent serious damage to the battery pack. Longest life and best performance can be obtained if battery pack is charged when air temperature is about 75°F (24°C).
3. While charging, the charger may hum and become warm to touch. This is a normal condition and does not indicate a problem.
4. If the battery pack does not charge properly—(1) Check current at receptacle by plugging in a lamp or other appliance. (2) Check to see if receptacle is connected to a light switch which turns power off when you turn out the lights. (3) Move charger and battery pack to a surrounding air temperature of 40°F (4,5 °C) to 105°F (40,5 °C) (4) If the receptacle and temperature are OK, and you do not get proper charging, take or send the battery pack and charger to your local Black & Decker service center. See Tools Electric in yellow pages.
5. The battery pack should be recharged when it fails to produce sufficient power on jobs which were easily done previously. DO NOT CONTINUE using product with its battery pack in a depleted condition.
6. To prolong battery pack life, avoid leaving the battery pack on charge for extended periods of time (over 30 days without use). Although overcharging is not a safety concern, it can significantly reduce overall battery pack life.
7. The battery pack will reach optimum performance after being cycled 5 times during normal usage. There is no need to run the batteries down completely before recharging. Normal usage is the best method of discharging and recharging the batteries.

⚠ Safety Warnings and Instructions: Drills

1. Hold drill firmly with one hand on the grip and the other hand on the bottom of the battery pack.
2. When attaching accessories in the drill chuck, hand tighten the keyless chuck firmly. ⚠ **WARNING:** Drill may stall (if overloaded or improperly used) causing a twist. Always expect the stall. Grip the drill firmly to control the twisting action and prevent loss of control which could cause personal injury. If a stall does occur, release the trigger immediately and determine the reason for the stall before re-starting.

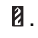
Operating Instructions

Trigger Switch & forward/Reverse Button - Figure 3

The drill is turned ON and OFF by pulling and releasing the trigger switch shown in **Figure 3**. The farther the trigger is depressed, the higher the speed of the drill. A forward/reverse control button determines the direction of the tool and also serves as a lock off button. To select forward rotation, release the trigger switch and depress the forward/reverse control button as depicted in **Figure 3**. To select reverse, depress the forward/reverse control button the opposite direction. The center position of the control button locks the tool in the off position. When changing the position of the control button, be sure the trigger is released.

Torque Control - Figure 4

This tool is fitted with a collar to select the operating mode and to set the torque for tightening screws. Large screws and hard workpiece materials require a higher torque setting than small screws and soft workpiece materials.

- For drilling in wood, metal and plastics, set the collar to the drilling position symbol .
- For screwdriving, set the collar to the desired setting. If you do not yet know the appropriate setting, proceed as follows:
 - Set the collar to the lowest torque setting.
 - Tighten the first screw.
- If the clutch ratchets before the desired result is achieved, increase the collar setting and continue tightening the screw. Repeat until you reach the correct setting. Use this setting for the remaining screws.

Dual Range Gearing - Figure 5

The dual range feature of your drill allows you to shift gears for greater versatility. To select low speed, high torque setting (position 1), turn tool off and permit to stop. Slide gear shifter button away from the chuck. To select the high speed, low torque setting (position 2), turn tool off and permit to stop. Slide gear shifter button back (towards the chuck).

NOTE: Do not change gears when tool is running. If you are having trouble changing gears, make sure that the dual range gear button is either completely pushed forward or completely pushed back.

Keyless Chuck

To insert a drill bit or other accessory:

1. Grasp the chuck collar (containing the two orange buttons) with one hand and use your other hand to rotate the chuck in the counterclockwise direction, as viewed from the chuck end.
2. Insert the bit or other accessory fully into the chuck, and tighten securely by holding the collar behind the chuck (containing the two orange buttons) and rotating the chuck in the clockwise direction as viewed from the chuck end.

⚠ **WARNING:** Do not attempt to tighten drill bits (or any other accessory) by gripping the front part of the chuck and turning the tool on. Damage to the chuck and personal injury may occur when changing accessories.

Removable Chuck with Quick Connect™ Bit Change System - Figure 6

Another unique feature of your drill is the ability to remove the chuck quickly and easily. This allows for a drill bit to be in the keyless chuck, while another accessory such as a screwdriver bit, can be inserted into the Quick Connect™ hex shaft at the same time.

To remove the chuck:

1. Grasp the drill and depress the two orange buttons on the chuck collar as shown in **Figure 6**.
2. With the buttons depressed, pull straight out.

To replace the chuck:

1. Push the quick connect chuck straight on with a slight twisting motion until you hear it click into place.

To insert a screwdriver bit into the Quick Connect™ hex shaft, push the bit in until you hear it click into place. To remove the bit, hold the drill as shown in **Figure 7**. Push in evenly on the spring loaded disc with two fingers and pull the bit straight out.

Screw Driving

For driving fasteners, the reversing button should be pushed to the left. Use reverse (button pushed to the right) for removing fasteners. When moving from forward to reverse, or vice versa, always release the trigger switch first.

On Board Bit Storage

A bit storage slot is built-in to the area just above the battery.

Drilling

- Use sharp drill bits only.
 - Support and secure work properly, as instructed in the Safety Instructions.
 - Use appropriate and required safety equipment, as instructed in the Safety Instructions.
 - Secure and maintain work area, as instructed in the Safety Instructions.
 - Run the drill very slowly, using light pressure, until the hole is started enough to keep the drill bit from slipping out of it.
 - Apply pressure in a straight line with the bit. Use enough pressure to keep the bit biting but not so much as to stall the motor or deflect the bit.
 - **Hold the drill firmly with one hand on the grip and the other hand on the bottom of the battery pack to control its twisting action.**
 - **DO NOT CLICK THE TRIGGER OF A STALLED DRILL OFF AND ON IN AN ATTEMPT TO START IT. DAMAGE TO THE DRILL CAN RESULT.**
 - Minimize stalling on breakthrough by reducing pressure and slowly drilling through the last part of the hole.
 - Keep the motor running while pulling the bit out of a drilled hole. This will help reduce jamming.
 - **Make sure switch turns drill on and off.**
- ⚠ **WARNING:** It is important to support the work properly and to hold the drill firmly to prevent loss of control which could cause personal injury. If you have any questions on how to properly operate tool, call: **1-800-544-6986**.

Drilling in Wood

Holes in wood can be made with the same twist drill bits used for metal or with spade bits. These bits should be sharp and should be pulled out frequently when drilling to clear chips from the flutes.

Drilling in Metal

Use a cutting lubricant when drilling metals. The exceptions are cast iron and brass which should be drilled dry. The cutting lubricants that work best are sulfurized cutting oil or lard oil.

Drilling in Masonry

Use carbide tipped masonry bits. Refer to Drilling section. Keep even force on the drill but not so much that you crack the brittle material. A smooth, even flow of dust indicates the proper drilling rate.

Troubleshooting

Problem	Possible Cause	Possible Solution
• Unit will not start.	• Battery not installed properly. • Battery not charged.	• Check battery installation. • Check battery charging requirements.
• Battery will not charge.	• Battery not inserted into charger. • Charger not plugged in. • Surrounding air temperature too hot or too cold.	• Insert battery into charger until red LED appears. • Plug charger into a working outlet. Refer to "Important Charging Notes" for more details. • Move charger and tool to a surrounding air temperature of above 40 degree F (4,5°C) or below 105 degree F (+40,5°C).

For assistance with your product, visit our website www.blackanddecker.com for the location of the service center nearest you or call the BLACK & DECKER help line at **1-800-544-6986**.

Maintenance

Use only mild soap and damp cloth to clean the tool. Never let any liquid get inside the tool; never immerse any part of the tool into a liquid.

An occasional application of a household oil to the Quick Connect™ hex shaft will help prevent rust.

IMPORTANT: To assure product SAFETY and RELIABILITY, repairs, maintenance and adjustment (other than those listed in this manual) should be performed by authorized service centers or other qualified service organizations, always using identical replacement parts.

The RBRC™ Seal

The RBRC™ (Rechargeable Battery Recycling Corporation) Seal on the nickel-cadmium battery (or battery pack) indicates that the costs to recycle the battery (or battery pack) at the end of its useful life have already been paid by Black & Decker. In some areas, it is illegal to place spent nickel-cadmium batteries in the trash or municipal solid waste stream and the RBRC program provides an environmentally conscious alternative.

RBRC in cooperation with Black & Decker and other battery users, has established programs in the United States and Canada to facilitate the collection of spent nickel-cadmium batteries. Help protect our environment and conserve natural resources by returning the spent nickel-cadmium battery to an authorized Black & Decker service center or to your local retailer for recycling. You may also contact your local recycling center for information on where to drop off the spent battery, or call **1-800-8-BATTERY**.

Accessories

Recommended accessories for use with your tool are available from your local dealer or authorized service center. If you need assistance regarding accessories, please call:

1-800-544-6986.

⚠ **WARNING:** The use of any accessory not recommended for use with this tool could be hazardous.



The following accessories should be used only in the sizes specified below:
BITS, METAL DRILLING – Up to 3/8" (9.5mm); BITS, MASONRY DRILLING – Up to 3/8" (9.5mm); WOOD DRILLING – Up to 1/2" (12.7mm).

Service Information

All Black & Decker Service Centers are staffed with trained personnel to provide customers with efficient and reliable power tool service. Whether you need technical advice, repair, or genuine factory replacement parts, contact the Black & Decker location nearest you. To find your local service location, refer to the yellow page directory under "Tools—Electric" or call: **1-800-544-6986** or visit www.blackanddecker.com

Full Two-Year Home Use Warranty

Black & Decker (U.S.) Inc. warrants this product for two years against any defects in material or workmanship. The defective product will be replaced or repaired at no charge in either of two ways.

The first, which will result in exchanges only, is to return the product to the retailer from whom it was purchased (provided that the store is a participating retailer). Returns should be made within the time period of the retailer's policy for exchanges (usually 30 to 90 days after the sale). Proof of purchase may be required. Please check with the retailer for their specific return policy regarding returns that are beyond the time set for exchanges.

The second option is to take or send the product (prepaid) to a Black & Decker owned or authorized Service Center for repair or replacement at our option. Proof of purchase may be required. Black & Decker owned and authorized Service Centers are listed under "Tools-Electric" in the yellow pages of the phone directory.

This warranty does not apply to accessories. This warranty gives you specific legal rights and you may have other rights which vary from state to state or province to province. Should you have any questions, contact the manager of your nearest Black & Decker Service Center. This product is not intended for commercial use.

FREE WARNING LABEL REPLACEMENT: If your warning labels become illegible or are missing, call 1-800-544-6986 for a free replacement.

Special WARRANTY Note to Contractors:

FIRESTORM™ branded products are offered as high end consumer home use tools and carry a **HOME USE WARRANTY**. These tools are designed, manufactured and tested to meet or exceed the needs of the do-it-yourselfer in the execution of projects and repairs in and around the home. With proper use they will provide the home owner with step up power and performance well beyond their two year warranty. However, if you use tools for a living and use FIRESTORM™ branded products or any of Black & Decker's other Consumer Home Use tools **ON THE JOBSITE** you should know that they **CANNOT BE COVERED UNDER OUR WARRANTY**.

Imported by
Black & Decker (U.S.) Inc.,
701 E. Joppa Rd.
Towson, MD 21286 U.S.A.



See 'Tools-Electric'
– Yellow Pages –
for Service & Sales



PERCEUSE DE 12 VOLTS

GUIDE D'UTILISATION

No de cat. FS1200D

MERCI D'AVOIR CHOISI BLACK & DECKER!
VISITEZ WWW.BLACKANDDECKER.COM/NEWOWNER
POUR ENREGISTRER VOTRE NOUVEAU PRODUIT.

AVANT DE RETOURNER CE PRODUIT POUR QUELQUE
RAISON QUE CE SOIT, COMPOSER LE NUMÉRO
SUIVANT : 1 800 544-6986

IMPORTANT RENSEIGNEMENTS :

- Charger la pile pendant 9 heures avant d'utiliser l'outil pour la première fois. Pour obtenir plus d'information, voir la section « **CHARGEMENT DU BLOC-PILE** ».

⚠ RÈGLES DE SÉCURITÉ GÉNÉRALES CONCERNANT LES OUTILS À PILES

- ⚠ **AVERTISSEMENT : LIRE, COMPRENDRE ET SUIVRE TOUTES LES DIRECTIVES** précisées ci-dessous afin d'éviter les risques de choc électrique, d'incendie ou de blessure grave.

CONSERVER CES DIRECTIVES

Aire de travail

- **Garder l'aire de travail propre et bien éclairée;** les établis encombrés et les endroits sombres sont propices aux accidents.
- **Ne pas utiliser les outils électriques dans une atmosphère explosive, comme à proximité de liquides, de gaz ou de poussières inflammables;** le moteur peut créer des étincelles et enflammer les vapeurs ou les poussières environnantes.
- **Tenir les enfants, les visiteurs ou toute autre personne à l'écart lorsqu'on utilise un outil électrique;** les distractions peuvent faire perdre la maîtrise de ce dernier.

Mesures de sécurité – Électricité

- **Ne pas utiliser le cordon de manière abusive; on ne doit pas transporter l'outil en le tenant par le cordon. On doit tenir le cordon à l'écart des sources de chaleur, de l'huile, des bords tranchants ou des pièces mobiles. Remplacer immédiatement les cordons endommagés,** car ces derniers peuvent causer un incendie.
- **Un outil à piles intégrées ou à bloc-pile externe doit être rechargé seulement au moyen du chargeur approprié,** car un chargeur destiné à une pile particulière peut entraîner un risque d'incendie lorsqu'il est utilisé avec une autre.
- **N'utiliser l'outil à piles qu'avec le bloc-pile désigné,** car l'utilisation d'un autre type de piles peut entraîner un risque d'incendie.

Sécurité personnelle

- **Rester vigilant en tout temps et faire preuve de jugement lorsqu'on utilise un outil électrique. Ne pas utiliser l'outil lorsqu'on est fatigué ou sous l'influence de drogues, d'alcool ou de médicaments,** car un moment d'inattention pourrait entraîner des blessures graves.
- **Porter des vêtements appropriés. Ne pas porter des vêtements amples ou des bijoux. Couvrir ou attacher les cheveux longs. Garder les cheveux, les vêtements, les bijoux et les gants éloignés des pièces mobiles,** car ceux-ci peuvent s'y coincer. Se tenir éloigné des événements puisque ces derniers pourraient camoufler des pièces mobiles.
- **Éviter les démarrages accidentels; s'assurer que l'interrupteur est en position de verrouillage ou d'arrêt avant d'insérer le bloc-pile dans l'outil.** Ne pas transporter l'outil en laissant le doigt sur l'interrupteur ni y insérer le bloc-pile lorsque l'interrupteur est en position de marche, car cela pourrait causer un accident.
- **Retirer les clés de réglage avant de démarrer l'outil.** Une clé laissée sur une pièce rotative pourrait entraîner des blessures.
- **Ne pas trop étendre les bras. Les pieds doivent rester ancrés fermement au sol afin de maintenir son équilibre en tout temps** et de mieux maîtriser l'outil dans des situations imprévues.
- **Utiliser le matériel de sécurité approprié; toujours porter des lunettes de protection.** Porter un masque anti-poussières, des chaussures antidérapantes, un casque de sécurité ou des protecteurs auditifs lorsque la situation le requiert.

Utilisation et entretien de l'outil

- **Fixer et soutenir la pièce sur une plate-forme stable au moyen d'une bride de serrage ou de tout autre dispositif semblable.** La pièce est instable lorsqu'on la retient manuellement ou qu'on l'appuie contre le corps, ce qui pourrait faire perdre la maîtrise de l'outil.
- **Ne pas forcer l'outil ni l'utiliser pour des travaux autres que ceux pour lesquels il a**

été conçu. Pour obtenir de meilleurs résultats et prévenir les risques de blessure, laisser l'outil couper à la vitesse pour laquelle il a été conçu.

- **Ne pas utiliser l'outil lorsque l'interrupteur marche-arrêt ne fonctionne pas.** Un outil qui ne peut être commandé au moyen de l'interrupteur est dangereux et doit être réparé.
- **Débrancher le bloc-pile de l'outil ou mettre l'interrupteur en position de verrouillage ou d'arrêt avant d'effectuer un réglage, de changer les accessoires ou de ranger l'outil;** ces mesures de sécurité préventives réduisent les risques de démarrage accidentel.
- **Lorsqu'on n'utilise pas l'outil, le ranger hors de la portée des enfants ou des personnes non qualifiées.** Les outils sont dangereux entre les mains de personnes inexpérimentées.
- **Lorsqu'on n'utilise pas le bloc-pile, le ranger à l'écart des objets métalliques tels que les trombones, les pièces de monnaie, les clés, les clous, les vis ou autres petits objets susceptibles de conduire l'électricité entre les bornes** et d'occasionner ainsi un court-circuit pouvant provoquer des étincelles, des brûlures ou un incendie.
- **Bien entretenir l'outil; s'assurer qu'il est toujours bien propre et aiguisé.** Les outils bien entretenus et dont les bords sont bien tranchants sont moins susceptibles de rester coincés et sont plus faciles à maîtriser.
- **Vérifier les pièces mobiles afin de s'assurer qu'elles sont bien alignées et qu'elles ne restent pas coincées. Vérifier également les pièces afin de s'assurer qu'il n'y a aucun bris ni aucune autre condition susceptible de nuire au bon fonctionnement de l'outil. Faire réparer l'outil si ce dernier est endommagé avant de s'en servir à nouveau,** car les accidents sont souvent causés par des outils mal entretenus.
- **N'utiliser que les accessoires recommandés par le fabricant pour le modèle concerné.** Un accessoire destiné à un outil particulier peut être dangereux lorsqu'il est utilisé avec un autre.

Entretien

- **L'outil doit être entretenu par le personnel qualifié seulement;** toute maintenance effectuée par une personne non qualifiée pourrait entraîner des risques de blessure.
- **Lors de l'entretien, n'utiliser que des pièces de rechange identiques et suivre les directives précisées à la section « Entretien » du présent guide** afin de prévenir les risques de choc électrique ou de blessure.

Consignes de sécurité particulières

- **Tenir l'outil par les surfaces isolées prévues à cette fin lorsqu'il risque d'entrer en contact avec des fils cachés ou son propre cordon,** car de tels contacts peuvent mettre les pièces métalliques de l'outil sous tension, engendrant des risques de choc électrique.
- **Lorsqu'on est installé sur une échelle ou un échafaudage pour travailler, on doit déposer l'outil sur le côté lorsqu'on ne s'en sert plus.** Bien que certains outils munis d'un gros bloc-pile puissent être placés à la verticale, dans cette position, ils peuvent facilement être renversés.

⚠ **AVERTISSEMENT : Certains outils électriques, tels que les sableuses, les scies, les meules, les perceuses ou certains autres outils de construction, peuvent produire de la poussière contenant des produits chimiques susceptibles d'entraîner le cancer, des malformations congénitales ou pouvant être nocifs pour le système reproductif. Parmi ces produits chimiques, on retrouve :**

- le plomb dans les peintures à base de plomb,
- la silice cristalline dans les briques et le ciment et autres produits de maçonnerie,
- l'arsenic et le chrome dans le bois de sciage ayant subi un traitement chimique (comme l'arséniate de cuivre et de chrome).

Le risque associé à de telles expositions varie selon la fréquence avec laquelle on effectue ces travaux. Pour réduire l'exposition à de tels produits, il faut travailler dans un endroit bien aéré et utiliser le matériel de sécurité approprié, tel un masque anti-poussières spécialement conçu pour filtrer les particules microscopiques.

- **Éviter tout contact prolongé avec la poussière soulevée par cet outil ou autres outils électriques. Porter des vêtements de protection et nettoyer les parties exposées du corps à l'eau savonneuse.** S'assurer de bien se protéger afin d'éviter d'absorber par la bouche, les yeux ou la peau des produits chimiques nocifs.

⚠ **AVERTISSEMENT : Cet outil peut produire et répandre de la poussière susceptible de causer des dommages sérieux et permanents au système respiratoire.** Toujours utiliser un appareil respiratoire anti-poussières approprié approuvé par le NIOSH ou l'OSHA. Diriger les particules dans le sens opposé du visage et du corps.

L'étiquette de l'outil peut comporter les symboles suivants.

V	volts	A	ampères
Hz	hertz	W	watts
min	minutes	~	courant alternatif
====	pas de courant continu	no	pas de vitesse de rotation
☐	Construction de classe II	⊕	borne de terre
⚠	symbole d'avertissement	.../min	révolutions ou alternance par minute

Lire attentivement et comprendre toutes les directives de la section « Directives de sécurité importantes » avant toute utilisation de l'outil.

Importance concernant le capuchon du bloc-pile

Un capuchon est fourni avec le bloc-pile en vue d'être utilisé chaque fois qu'on retire ce dernier de l'outil ou du chargeur en vue de le ranger ou de le transporter; enlever le capuchon avant de remettre le bloc-pile dans le chargeur ou dans l'outil.

- ⚠ **AVERTISSEMENT :** S'assurer, au moment de ranger ou de transporter un bloc-pile ou une pile, qu'aucun objet métallique n'entre en contact avec leurs bornes à découvert de celui-ci. Par exemple, il faut éviter de placer un bloc-pile ou une pile sans capuchon dans un tablier, une poche, une boîte à outils ou un tiroir (etc.) contenant des objets tels que des clous, des vis ou des clés, car tout contact entre les bornes à découvert et un objet métallique comme une clé, une pièce de monnaie, un outil à main, etc. pourrait causer un incendie. En effet, les règlements américains Hazardous Material Regulations (HMR) du US Department of Transportation interdisent le transport d'un bloc-pile ou d'une pile dans tout moyen de transport commercial ou aéronef (que ce soit dans une valise ou le bagage de cabine) SAUF s'ils sont bien protégés contre les courts-circuits. On doit donc s'assurer, lorsqu'on transporte un bloc-pile ou une pile séparément, de bien protéger et isoler les bornes contre tout matériau qui risque d'entrer en contact avec eux et de causer un court-circuit.

⚠ Directives et consignes de sécurité concernant le chargement de la perceuse

1. Le présent guide comprend d'importantes directives, dont un mode d'emploi et des consignes de sécurité.
2. Avant d'utiliser le chargeur, lire toutes les directives et les étiquettes de mise en garde apposées sur (1) le chargeur, (2) la pile et (3) le produit utilisant la pile.
3. ⚠ **MISE EN GARDE :** Afin de réduire les risques de blessure, ne charger que des bloc-piles Black & Decker, car les autres peuvent éclater et entraîner des blessures ou des dommages matériels.
4. Ne pas exposer le chargeur à la pluie ou à la neige.
5. L'utilisation d'un accessoire n'étant ni recommandé ni vendu par Black & Decker peut entraîner des risques d'incendie, de choc électrique ou de blessure.
6. Afin de réduire les risques de dommage à la fiche ou au cordon électrique, débrancher le chargeur en saisissant la fiche, non le cordon.
7. S'assurer que le cordon est placé de manière à éviter qu'il ne subisse des dommages ou des contraintes ou que les personnes s'y prennent les pieds et trébuchent.
8. Ne pas utiliser de rallonge à moins que cela ne soit absolument nécessaire, car l'usage d'une rallonge ayant une puissance inadéquate pourrait causer des risques d'incendie, de choc électrique ou d'électrocution.
 - a. Bien qu'on puisse utiliser un cordon bifilaire avec une rallonge bifilaire ou trifilaire, on ne doit utiliser qu'une rallonge à cordon; on recommande que celle-ci soit approuvée par l'organisme américain Underwriters Laboratories (UL). Lorsqu'on utilise un outil électrique à l'extérieur, on ne doit utiliser que des rallonges conçues pour cet usage, comme celles de type W-A ou W. Toute rallonge conçue pour un usage extérieur peut aussi être employée à l'intérieur.
 - b. Afin d'éviter une perte de puissance ou une surchauffe et d'assurer la sécurité de l'utilisateur, la rallonge doit être de calibre AWG approprié. Plus le calibre est petit, plus la capacité est grande; autrement dit, une rallonge de calibre 16 est plus puissante qu'une rallonge de calibre 18. Lorsqu'on utilise plusieurs rallonges pour obtenir la longueur voulue, s'assurer que chacune d'elles présente les valeurs minimales requises.

CALIBRE MINIMAL RECOMMANDÉ DES RALLONGES

(INTENSITÉ NOMINALE DE 0,0 À 10,0 AMPÈRES)

Longueur totale de la rallonge

(en mètres)	7,6	15,2	22,9	30,5	38,1	45,7
Calibre AWG	18	18	16	16	14	14

- Ne charger l'outil qu'au moyen du chargeur fourni, car l'usage de tout autre dispositif pourrait endommager l'outil ou engendrer une situation dangereuse.
- N'utiliser qu'un seul chargeur durant le chargement.
- Ne pas ouvrir le chargeur ni la perceuse; ces derniers ne contiennent aucune pièce pouvant être réparée par le client et doivent être retournés à un centre de service Black & Decker, le cas échéant.
- NE PAS incinérer la perceuse ou le bloc-pile, y compris ceux gravement endommagés ou complètement déchargés, car ils peuvent exploser en présence de flammes.
- Les cellules peuvent subir une fuite légère par suite d'un usage extrême, du chargement ou d'une exposition à certaines températures; cela n'indique pas un problème. Cependant, si le scellant externe est percé et le liquide entre en contact avec la peau, on doit:
 - se laver rapidement la partie du corps touchée avec de l'eau savonneuse;
 - neutraliser l'effet au moyen d'un acide doux tel que du jus de citron ou du vinaigre;
 - si les yeux sont touchés, les rincer à fond avec de l'eau propre pendant au moins 10 minutes et consulter immédiatement un médecin. **REMARQUE AUX FINS MÉDICALES** : ce liquide contient une solution composée de 25 à 35 % d'hydroxyde de potassium.

Chargement du bloc-pile

LE BLOC-PILE N'EST PAS COMPLÈTEMENT CHARGÉ EN USINE. IL IMPORTE DONC DE LIRE ATTENTIVEMENT TOUTES LES CONSIGNES DE SÉCURITÉ AVANT DE LE CHARGER.

Le chargeur est conçu pour être branché dans une prise résidentielle standard de 120 volts et de 60 Hz.

- Brancher le chargeur dans une prise murale appropriée. **REMARQUE : Ne pas charger au moyen d'une génératrice de moteur. Ne pas brancher dans une source d'alimentation électrique à courant continu; utiliser seulement une prise de 120 V c.a.**
- Glisser le bloc-pile dans le chargeur, tel qu'illustré à la **figure 1**, et le charger pendant **9 heures**. Après la charge initiale et à la suite d'une utilisation normale, le bloc-pile devrait se charger complètement en **3 à 6 heures**.
- Débrancher le chargeur et retirer le bloc-pile. **Mettre la pile dans l'outil en s'assurant de l'insérer complètement dans sa cavité jusqu'à ce qu'elle s'enclenche fermement.**

REMARQUE : Pour retirer le bloc-pile de l'outil, appuyer sur le bouton de dégagement situé à l'arrière du bloc-pile (figure 2) et tirer sur ce dernier pour le dégager.

Conseils importants concernant le chargement

- À la suite d'une utilisation normale, le bloc-pile devrait prendre de 3 à 6 heures pour se charger complètement, et jusqu'à 6 heures s'il est complètement déchargé. Le bloc-pile n'est pas chargé au moment de quitter l'usine; on doit donc le charger pendant au moins 9 heures avant de l'utiliser.
- Afin d'éviter d'endommager le bloc-pile, il est important de NE PAS le charger à des températures inférieures à 4,5 °C (40 °F) ou supérieures à 40,5 °C (105 °F). Pour augmenter la durée de vie du bloc-pile et optimiser son rendement, le charger à une température d'environ 24°C (75 °F).
- Le chargeur peut émettre un bourdonnement ou devenir chaud au toucher durant le chargement. Cela est normal et n'indique pas la présence d'un problème.
- Si le bloc-pile ne se charge pas normalement, il faut : (1) vérifier l'alimentation de la prise en y enfichant une lampe ou un appareil, (2) s'assurer que la prise n'est pas raccordée à un interrupteur qui coupe le courant lorsqu'on éteint les lumières, (3) placer le chargeur et le bloc-pile dans un endroit où la température ambiante est environ 4,5 °C (40 °F) à 40,5 °C (105 °F) ou, si le problème persiste, (4) retourner le bloc-pile et le chargeur au centre de service Black & Decker le plus près (les centres de service autorisés sont répertoriés dans les pages jaunes sous la rubrique «Outils - électriques»).
- Le bloc-pile doit être rechargé lorsqu'il ne produit pas suffisamment de courant pour permettre à l'utilisateur de travailler normalement. On doit CESSER d'utiliser la produit dans de telles conditions.
- On peut prolonger la durée de vie du bloc-pile en évitant de le laisser dans le chargeur pendant de longues périodes (plus de 30 jours lorsqu'on ne l'utilise pas). Bien que la surcharge du bloc-pile ne soit pas un problème au niveau de la sécurité, cette pratique peut réduire de façon appréciable sa durée de vie.
- Le bloc-pile atteindra son rendement optimal après avoir terminé cinq cycles de charge et de décharge au cours d'une utilisation normale. Il n'est pas nécessaire de décharger complètement le bloc-pile avant de le recharger. Le meilleur moyen de charger et de décharger le bloc-pile est de l'utiliser normalement.

Directives et consignes de sécurité concernant la perceuse


- Tenir fermement la perceuse en saisissant la poignée d'une main et en plaçant l'autre main sur la partie inférieure du bloc-pile.
- Lorsqu'on utilise un mandrin sans clé, on doit le serrer fermement à la main.
AVERTISSEMENT : La perceuse peut caler (à la suite d'une surcharge ou d'un mauvais usage) et causer un mouvement de torsion; on doit toujours prévoir un tel incident. Saisir la perceuse fermement afin de maîtriser la torsion de cette dernière et d'éviter de perdre la maîtrise, ce qui pourrait entraîner des blessures. Si la perceuse cale, relâcher immédiatement la gâchette et en déterminer la cause avant de redémarrer l'outil.

Mode d'emploi

Interrupteur à gâchette et bouton de commande de marche avant ou marche arrière - Figure 3

Pour mettre la perceuse en position de marche ou d'arrêt, il suffit de tirer sur l'interrupteur à gâchette, puis de le relâcher, tel qu'illustré à la **figure 3**. Plus on appuie sur la gâchette, plus la vitesse est élevée. Un bouton de commande de marche avant-arrière, qui sert aussi de bouton de verrouillage en position d'arrêt, détermine la direction de marche de l'outil. Pour sélectionner la position de marche avant, relâcher l'interrupteur à gâchette et enfoncer le bouton de commande, tel qu'illustré à la **figure 3**. Pour sélectionner la position de marche arrière, appuyer sur le même bouton pour choisir la direction opposée. La position centrale du bouton sert à verrouiller l'outil en position d'arrêt. On doit toujours relâcher la gâchette lorsqu'on change la position du bouton.

Régulateur de couple - Figure 4

- L'outil est doté d'un collier qui permet de choisir le mode de fonctionnement et de serrer les vis selon le couple voulu. Le réglage des grosses vis et des matériaux durs doit être plus élevé que celui des petites vis et des matériaux mous.
- Pour percer un trou dans le bois, le métal ou le plastique, régler le collier à la position de perçage indiquée par le symbole .
 - Pour utiliser l'outil comme tournevis, régler le collier à la position voulue. Si on ne connaît pas encore la position correcte, procéder comme suit :
 - Régler le collier à la plus basse position.
 - Serrer la première vis.
 - Si l'embrayage de l'outil se met à encliqueter avant que la vis ne soit bien ancrée, tourner le collier vers une position plus élevée et enfoncer complètement la vis. Continuer de tourner le collier jusqu'à la position voulue. Conserver ce réglage pour serrer les autres vis.

Bouton à deux vitesses d'engrenage - figure 5

Le bouton à deux vitesses d'engrenage permet de changer la vitesse d'engrenage, rendant ainsi l'outil encore plus polyvalent. Pour sélectionner la basse vitesse à couple élevé (position 1), arrêter l'outil et attendre qu'il s'arrête complètement, puis glisser le bouton vers l'avant, dans la direction opposée du mandrin. Pour sélectionner la haute vitesse à couple faible (position 2), arrêter l'outil et attendre qu'il s'arrête complètement, puis glisser le bouton vers l'arrière, en direction du mandrin.
REMARQUE : Ne pas changer la vitesse d'engrenage lorsque l'outil est en marche. Si on éprouve de la difficulté à modifier cette dernière, s'assurer que le bouton est poussé complètement vers l'avant ou vers l'arrière, selon le cas.

Mandrin sans clé

Pour insérer une mèche ou tout autre accessoire, on doit :

- saisir le collier du mandrin (comportant les deux boutons orange) d'une main et utiliser l'autre pour faire tourner le mandrin vers la gauche (lorsqu'on le regarde à partir de l'extrémité du mandrin);
- insérer la mèche ou l'accessoire dans le mandrin et serrer fermement en saisissant le collier situé derrière le mandrin (comportant les deux boutons orange) et en faisant tourner le collier vers la droite (lorsqu'on le regarde à partir de l'extrémité du mandrin).
AVERTISSEMENT : ne pas serrer la mèche (ou l'accessoire) en saisissant la partie avant du mandrin et en faisant fonctionner l'outil, ce qui aurait pour effet d'endommager le mandrin ou de blesser l'utilisateur lorsqu'il change les accessoires.

Mandrin détachable à fixation rapide quick connect^{mc} – figure 6

La perceuse comprend également un dispositif qui permet de retirer le mandrin rapidement et facilement afin de pouvoir insérer une mèche de perceuse dans le mandrin sans clé et d'insérer en même temps un autre type d'accessoire, tel qu'une mèche de tournevis, dans la tige hexagonale Quick Connect^{mc}.

Pour retirer le mandrin, on doit :

- saisir la perceuse et enfoncer les deux boutons orange situés sur le collier du mandrin, tel qu'illustré à la **figure 6**;
- sortir le mandrin en le tirant en ligne droite et en gardant les boutons enfoncés.

Pour remplacer le mandrin, il faut :

- insérer le mandrin à fixation rapide en le poussant tout droit, puis en le tournant légèrement jusqu'à ce qu'il s'enclenche fermement.
Pour insérer une mèche de tournevis dans la tige hexagonale Quick Connect^{mc}, la pousser jusqu'à ce qu'elle s'enclenche fermement. Pour la retirer, tenir la perceuse tel qu'illustré à la **figure 7**, puis pousser uniformément sur le disque à ressort avec deux doigts et sortir la mèche en la tirant en ligne droite.

Mode tournevis

Pour enfoncer des attaches, pousser le bouton de commande de marche arrière vers la gauche; pousser le bouton vers la droite pour les retirer. On doit toujours relâcher l'interrupteur à gâchette lorsqu'on change la position du bouton de la marche avant à la marche arrière, ou vice versa.

Compartment de rangement intégré

Un petit compartiment est intégré dans la section située juste au-dessus de la pile afin d'y ranger les mèches.

Mode perçage

- Utiliser des mèches aiguisées seulement.
- Bien soutenir et fixer la pièce, conformément aux consignes de sécurité.
- Utiliser le matériel de sécurité approprié, conformément aux consignes de sécurité.
- Garder l'aire de travail propre et sécuritaire, conformément aux consignes de sécurité.
- Faire fonctionner la perceuse très lentement en exerçant une légère pression, jusqu'à ce que le trou soit suffisamment profond pour empêcher la mèche d'en sortir.
- Appliquer une pression en ligne droite au moyen de la mèche en exerçant juste assez de pression pour permettre à la mèche de mordre dans la pièce, en évitant de caler le moteur ou de faire dévier la mèche.
- Tenir fermement la perceuse en saisissant la poignée d'une main et en plaçant l'autre main sur la partie inférieure du bloc-pile afin de maîtriser la torsion de l'outil.
- NE PAS ENFONCER ET RELÂCHER LA GÂCHETTE À PLUSIEURS REPRISES POUR ESSAYER DE REDÉMARRER LA PERCEUSE AFIN D'ÉVITER DE L'ENDOMMAGER
- Réduire les risques de calage au minimum en réduisant la pression lorsque la mèche perce le matériau et en perçant lentement la dernière section du trou.
- Maintenir le moteur en marche lorsqu'on retire la mèche du trou percé afin d'éviter qu'elle reste coincée.
- S'assurer que l'interrupteur puisse mettre la perceuse en position de marche ou d'arrêt.**
AVERTISSEMENT : il est important de bien immobiliser la pièce et de saisir fermement l'outil afin d'éviter de perdre la maîtrise, ce qui pourrait entraîner des blessures. Pour obtenir de plus amples renseignements sur le fonctionnement de cet outil, composer le **1 800 544-6986**.

Perçage du bois

On peut percer le bois au moyen des mèches hélicoïdales qu'on utilise pour le métal ou de mèches à vrille. On doit utiliser des mèches bien aiguisées et les sortir fréquemment pour enlever les copeaux restés coincés dans les cannelures.

Perçage du métal

Utiliser une huile de coupe lorsqu'on perce des métaux, à l'exception de la fonte et du laiton, car ces derniers doivent être percés à sec. Pour cette tâche, les meilleurs lubrifiants sont l'huile sulfurée et l'huile de lard.

Perçage de la maçonnerie

Utiliser des mèches à pointe carburée (voir la section « Mode perçage »). Maintenir une pression uniforme sur la perceuse, sans trop forcer pour éviter de fissurer les matériaux plus cassants. La vitesse choisie est appropriée lorsque la poussière est soulevée uniformément et régulièrement.

Dépannage

Problème	Cause possible	Solution possible
• L'appareil refuse de démarrer.	• Mauvaise installation de la batterie. • Pile non chargée.	• Vérifier l'installation de la batterie. • Vérifier les exigences de charge pour la pile.
• La pile ne se charge pas.	• Pile non insérée dans le chargeur. • Chargeur non branché.	• Insérer la pile dans le chargeur de sorte que le voyant DEL rouge apparaisse. • Brancher le chargeur dans une prise qui fonctionne. Se reporter à la rubrique « Remarques importantes de chargement » pour plus de renseignements.
	• Température ambiante trop chaude ou froide.	• Déplacer le chargeur et l'outil à une température ambiante de plus de 4,5 °C (40 °F) ou sous les 40,5 °C (105 °F) 105 degree F (+40,5°C).

Pour de l'aide avec l'outil, consulter notre site Web www.blackanddecker.com pour l'emplacement du centre de réparation le plus près ou communiquer avec l'assistance BLACK & DECKER au **1-800-544-6986**.

Entretien

Nettoyer l'outil au moyen d'un savon doux et d'un linge humide seulement. Ne jamais laisser de liquide s'infiltrer à l'intérieur de l'outil ni tremper ce dernier dans un liquide quelconque. Une application occasionnelle d'huile domestique sur la tige hexagonale à fixation rapide Quick Connect^{mc} aidera à prévenir la rouille.
IMPORTANT : pour assurer la SÉCURITÉ et la FIABILITÉ de ce produit, toutes les opérations de réparation, d'entretien et de réglage (autres que celles décrites aux présentes) doivent être effectuées dans un centre de service autorisé ou par du personnel qualifié; on ne doit utiliser que des pièces de rechange identiques.

Sceau RBRC^{mc}

Le sceau RBRC^{mc} de la Rechargeable Battery Recycling Corporation apposé sur la pile au nickel-cadmium (ou le bloc-pile) indique que les coûts de recyclage de ce dernier à la fin de sa vie utile ont déjà été payés par Black & Decker. En certains endroits, la mise au rebut ou aux ordures municipales des piles au nickel-cadmium est illégale; le programme de «RBRC» constitue donc une solution des plus pratiques et écologiques.

La «RBRC», en collaboration avec Black & Decker et d'autres utilisateurs de piles, a mis sur pied des programmes aux États-Unis et au Canada dans le but de faciliter la collecte des piles déchargées. Black & Decker encourage ses utilisateurs à participer à son programme de protection de l'environnement et de conservation des ressources naturelles en retournant les piles usagées à un centre de service Black & Decker autorisé ou chez un dépositaire local afin qu'elles puissent être recyclées. On peut en outre se renseigner auprès d'un centre de recyclage local pour connaître d'autres sites les acceptant, ou composer le **1 800 8-228-8379 (1-800-8-BATTERY)**

Accessoires

Les accessoires recommandés pour cet outil sont vendus séparément chez les dépositaires locaux ou dans les centres de service autorisés. Pour obtenir plus d'information sur les accessoires, composer le **1-800-544-6986**.



⚠ AVERTISSEMENT : l'usage d'un accesorio non recomendado puede presentar un danger.

On ne doit utiliser que des accessoires ayant les dimensions précisées ci-dessous : MÈCHES À MÉTAL – jusqu'à 9,5 mm (3/8 po); MÈCHES À MAÇONNERIE – jusqu'à 9,5 mm (3/8 po); MÈCHES À BOIS – jusqu'à 12,7 mm (1/2 po).

Information sur les services

Tous les centres de service Black & Decker sont dotés de personnel qualifié en matière d'outillage électrique; ils sont donc en mesure d'offrir à leur clientèle un service efficace et fiable. Pour obtenir un conseil technique ou une pièce d'origine ou pour faire réparer un outil, on peut communiquer avec le centre Black & Decker le plus près. Pour obtenir le numéro de téléphone, consulter les pages jaunes sous la rubrique «Outils - électriques», ou composer le **1 800 544-6986** ou encore, visiter notre site Web au **www.blackanddecker.com**.

Garantie complète de deux ans pour usage résidentiel

Black & Decker (U.S.) Inc. garantit ce produit pour une période de deux ans contre tout défaut de matériel ou de fabrication. Le produit défectueux sera remplacé ou réparé sans frais, suivant l'une des deux méthodes suivantes.

La première méthode consiste en un échange seulement. On doit retourner le produit au détaillant qui l'a vendu (pourvu qu'il s'agisse d'un détaillant participant), en respectant les délais stipulés dans sa politique relative aux échanges (normalement de 30 à 90 jours après la vente). Une preuve d'achat peut être requise. On doit vérifier la politique de retour du détaillant pour tout produit retourné après le délai prescrit pour les échanges.

La deuxième méthode consiste à apporter ou à envoyer le produit (prépayé) à un centre Black & Decker ou à un centre de service autorisé aux fins de réparation ou de remplacement, selon notre choix. Une preuve d'achat peut être requise. Les centres Black & Decker et les centres de service autorisés sont répertoriés dans les pages jaunes sous la rubrique «Outils - électriques».

Cette garantie ne s'applique pas aux accessoires. Elle confère des droits légaux particuliers à l'acheteur, mais celui-ci pourrait aussi bénéficier d'autres droits variant d'un état ou d'une province à l'autre.

Toute question doit être adressée au gérant du centre Black & Decker le plus près. Ce produit n'est pas destiné à un usage commercial.

Remplacement gratuit de l'étiquette d'avertissement :

En cas de perte ou d'endommagement des étiquettes d'avertissement, composer le **1 800 544-6986** afin d'en obtenir de nouvelles sans frais.

Remarque à l'intention des entrepreneurs concernant la garantie spéciale

Les produits de marque FIRESTORM^{MC} sont des outils hauts de gamme destinés aux consommateurs et comportent une **GARANTIE POUR USAGE RÉSIDENTIEL**. Ces outils sont conçus, fabriqués et mis à l'essai en vue de répondre aux besoins du bricoleur, ou de les dépasser, lorsque ce dernier réalise des projets ou effectue des réparations à l'intérieur ou à l'extérieur de sa résidence. Utilisés correctement, ces outils procurent à l'utilisateur un rendement et une puissance supérieurs qui excèdent de loin la période de garantie de deux ans. Par contre, tout outil utilisé à des fins commerciales ou tout produit de marque FIRESTORM^{MC} ou tout autre produit Black & Decker destiné aux consommateurs et réservé à un usage résidentiel, utilisé dans le cadre d'une **ACTIVITÉ RELIÉE AU TRAVAIL, N'EST PAS COUVERT PAR LA PRÉSENTE GARANTIE**.

Imported by / Importé par
Black & Decker Canada Inc.
100 Central Ave.
Brockville (Ontario) K6V 5W6

Voir la rubrique "Outils électriques"
des Pages Jaunes
pour le service et les ventes.



TALADRO DE 12 VOLTIOS

MANUAL DE INSTRUCCIONES

Número de catálogo FS1200D

**¡GRACIAS POR ELEGIR BLACK & DECKER!
VAYA A WWW.BLACKANDDECKER.COM/NEOWNER
PARA REGISTRAR SU NUEVO PRODUCTO.**

**ANTES DE DEVOLVER ESTE PRODUCTO POR
CUALQUIER MOTIVO, LLAME AL (55) 5326-7100**

INFORMACIÓN CLAVE QUE DEBE CONOCER:

- Cargue la batería por 9 horas antes de utilizar la herramienta por primera vez. Para mayor información vea "CÓMO CARGAR LA UNIDAD DE ALIMENTACIÓN".

⚠ NORMAS GENERALES DE SEGURIDAD – PARA TODAS LAS HERRAMIENTAS QUE FUNCIONAN CON BATERÍA

⚠ ADVERTENCIA! LEA TODAS LAS INSTRUCCIONES HASTA COMPRENDERLAS. No ajustarse a las instrucciones siguientes puede ser causa de choque eléctrico, incendio o lesiones graves.

CONSERVE ESTAS INSTRUCCIONES

Área de trabajo

- **Mantenga el área de trabajo limpia y bien iluminada.** Las bancadas desordenadas y las zonas oscuras propician los accidentes.
- **No opere herramientas eléctricas en atmósferas explosivas, como en presencia de líquidos, gases o polvos inflamables.** Las herramientas eléctricas producen chispas que pueden originar la ignición del polvo o los vapores.
- **Mientras opere una herramienta eléctrica, mantenga lejos a los observadores, niños y visitantes.** Las distracciones pueden ocasionar que pierda el control.

Seguridad eléctrica

- **No maltrate el cable. Nunca lleve la herramienta por el cable. Mantenga el cable alejado de las fuentes de calor, el aceite, las orillas afiladas o las piezas en movimiento. Cambie inmediatamente los cables dañados.** Los cables dañados pueden provocar un incendio.
- **Una herramienta que funciona con baterías integrales o con una batería separada sólo debe recargarse con el cargador de baterías especificado.** Un cargador puede ser adecuado para un tipo de baterías y, sin embargo, crear riesgo de incendio cuando se usa con otras.
- **Las herramientas que operan con baterías se deben utilizar sólo con baterías diseñadas especialmente.** La utilización de otras baterías comporta riesgo de incendio.

Seguridad personal

- **Al utilizar una herramienta eléctrica, esté atento, concéntrese en lo que hace y aplique el sentido común. No utilice la herramienta si se encuentra fatigado o bajo la influencia de drogas, alcohol o fármacos.** Mientras se utilizan herramientas eléctricas, basta un instante de distracción para sufrir lesiones graves.
- **Lleve ropa adecuada. No utilice ropa suelta ni joyas. Recójase el cabello largo. Mantenga el cabello, la ropa y los guantes apartados de las piezas en movimiento.** Las partes móviles pueden atrapar las prendas de vestir sueltas, las joyas y el cabello. Los orificios de ventilación suelen cubrir piezas en movimiento, por lo que también se deben evitar.
- **Evite puestas en marcha accidentales. Antes de insertar la batería asegúrese de que el interruptor esté en posición de bloqueo o apagado.** Transportar herramientas con el dedo sobre el interruptor o insertar la batería en la herramienta con el interruptor encendido favorece los accidentes.
- **Antes de poner en marcha la herramienta, retire las llaves de ajuste.** Una llave que se deje en una pieza giratoria de la herramienta puede provocar lesiones.
- **No ponga en peligro su estabilidad. Manténgase siempre bien apoyado y equilibrado.** Un buen apoyo y equilibrio permiten controlar mejor la herramienta si se produce algún imprevisto.
- **Utilice el equipo de seguridad. Lleve siempre lentes protectores.** Cuando sea adecuado, también se debe usar mascarilla antipolvo, zapatos de suela antideslizante, casco o protectores auditivos.

Uso y cuidados de la herramienta

- **Utilice abrazaderas u otro elemento adecuado para sujetar y apoyar la pieza de trabajo en una plataforma estable.** Sujetar la pieza con la mano o contra el cuerpo es inestable y facilita la pérdida de control.
- **No fuerce la herramienta. Emplee la herramienta correcta para cada aplicación.** La herramienta correcta hace el trabajo mejor y más seguro dentro del rango para el que ha sido diseñada.
- **No utilice la herramienta si el interruptor no la enciende y apaga.** Cualquier herramienta que no pueda controlarse con el interruptor es peligrosa y se debe reparar.
- **Desconecte la batería de la herramienta o ponga el interruptor en posición de bloqueo o de apagado antes de realizar ajustes, cambiar accesorios o guardar la herramienta.** Estas medidas de seguridad preventiva reducen el riesgo de poner en marcha la herramienta accidentalmente.
- **Cuando no las utilice, guarde las herramientas fuera del alcance de los niños o de cualquier persona no capacitada.** Las herramientas son peligrosas en manos de usuarios no capacitados.
- **Cuando la unidad de alimentación no esté en uso, manténgala alejada de otros objetos metálicos tales como: sujetapapeles, monedas, llaves, clavos u otros objetos metálicos pequeños que podrían generar una conexión entre sus terminales.** Provocar un cortocircuito entre los terminales de la batería puede causar chispas, quemaduras o incendios.
- **Cuide las herramientas. Conserve las herramientas de corte afiladas y limpias.** Unas herramientas adecuadamente cuidadas y con los bordes de corte afilados se atascan menos y son más fáciles de controlar.
- **Compruebe si las piezas móviles se desalinean o atascan, si hay alguna pieza rota o cualquier otra circunstancia que pueda afectar la operación de la herramienta. Si la herramienta está dañada, hágala reparar antes de usarla.** Muchos accidentes los provocan unas herramientas mal cuidadas.
- **Utilice únicamente los accesorios recomendados por el fabricante para su modelo.** Un mismo accesorio puede ser adecuado para una herramienta, pero puede crear un riesgo de lesiones si se usa en otra.

Servicio

- **El servicio a la herramienta sólo debe realizarlo personal cualificado.** El servicio o mantenimiento realizados por personal no calificado puede dar como resultado un riesgo de lesiones.
- **Al proceder al mantenimiento de una herramienta, utilice únicamente refacciones idénticas. Siga las instrucciones de la sección "Mantenimiento" de este manual.** La utilización de piezas no autorizadas o no respetar las instrucciones de mantenimiento, puede suponer un peligro de choque eléctrico o de lesiones.

⚠ Normas específicas de seguridad

- **Sujete la herramienta por sus empuñaduras aisladas si lleva a cabo una operación en que la herramienta pueda tocar cables eléctricos ocultos o su propio cable.** El contacto con un cable activo provocará que las piezas metálicas de la herramienta se carguen y que el operador reciba una descarga eléctrica.
- **Cuando trabaje sobre una escalera o andamio, asegúrese de recostar la herramienta sobre un costado cuando no esté en uso.** Algunas herramientas con unidades de alimentación grandes se pueden parar derechas pero pueden caerse fácilmente.
- **ADVERTENCIA: Parte del polvo generado al lijar, serrar, esmerilar y taladrar, así como al realizar otras actividades del sector de la construcción, contienen productos químicos que pueden producir cáncer, defectos congénitos u otras afecciones reproductivas. Ejemplos de esas sustancias químicas son:**
 - plomo procedente de pinturas a base de plomo
 - óxido de silicio cristalino procedente de ladrillos, cemento y otros productos de mampostería, y
 - arsénico y cromo procedentes de madera tratada químicamente (CCA)

El peligro derivado de estas exposiciones que usted enfrenta varía en función de la frecuencia con que se realice este tipo de trabajo. Para reducir la exposición a esas sustancias químicas: trabaje en una zona bien ventilada y llevando equipos de seguridad aprobados, como mascarillas antipolvo especialmente diseñadas para filtrar partículas microscópicas.

- **Evite el contacto prolongado con el polvo procedente del lijado, serrado, esmerilado y taladrado eléctricos, así como de otras actividades del sector de la construcción. Lleve ropa protectora y lave con agua y jabón las zonas expuestas. Si permite que el polvo se introduzca en la boca u ojos o quede sobre la piel, puede favorecer la absorción de productos químicos peligrosos.**
- **ADVERTENCIA: El uso de esta herramienta puede generar o dispersar polvo lo cual puede causar lesiones respiratorias serias y permanentes y otros tipos de lesión.** Siempre use protección respiratoria aprobada por NIOSH/OSHA para la exposición al polvo. Dirija las partículas en dirección opuesta a su cara y cuerpo.

La etiqueta de su herramienta puede incluir los siguientes símbolos.

V	volts	A	amperes
Hz	hertz	W	watts
min	minutos	~	corriente alterna
====	corriente directa	no	sin velocidad de carga
☐	construcción clase II	⊕	terminal a tierra
⚠	símbolo de alerta	.../min	revoluciones o reciprocidad por minuto

Antes de operar esta herramienta lea con detenimiento las instrucciones de la sección "Instrucciones importantes de seguridad".

Información acerca del protector de la batería

Se han incluido protectores para el almacenaje y transporte de la batería. Estos deben ser usados cuando la batería no esté conectada a la herramienta ni en el cargador. Recuerde quitar el protector antes de poner la batería en el cargador o conectarla a la herramienta.

- **ADVERTENCIA:** No guarde ni lleve baterías, unidades de alimentación o pilas en un lugar donde sus terminales pudieran entrar en contacto con algún objeto metálico. Por ejemplo, no ponga baterías, unidades de alimentación o pilas dentro de un delantal o bolsillo, una caja de herramientas o de almacenamiento del producto, un cajón, etc., junto con clavos sueltos, tornillos, llaves, etc. si no están debidamente protegidas. El transporte de baterías, unidades de alimentación o pilas puede causar un incendio si sus terminales entran en contacto sin querer con materiales conductores como llaves, monedas, herramientas de mano y otros por el estilo. De hecho, el reglamento sobre materiales peligrosos (HMR) del Ministerio de Transporte de los Estados Unidos prohíbe el transporte de baterías, unidades de alimentación o pilas en cualquier tipo de transporte terrestre o aéreo (es decir, embaladas en maletas y maletines de mano) A NO SER que estén debidamente protegidas de hacer cortocircuito. Por lo tanto, cuando transporte baterías, unidades de alimentación o pilas individuales, asegúrese que sus terminales estén protegidos y debidamente aislados de materiales que pudieran entrar en contacto con ellos y causar un cortocircuito.

⚠ Advertencias e instrucciones de seguridad: cómo cargar el taladro

1. Este manual contiene instrucciones de seguridad y operación importantes.
2. Antes de usar el cargador de batería, lea todas las instrucciones y marcas de advertencia en (1) el cargador de la batería, (2) la batería y (3) el producto que utiliza la batería.
3. **⚠ PRECAUCIÓN:** Para reducir el riesgo de lesión, sólo cargue unidades de alimentación Black & Decker. Otros tipos de baterías podrían reventarse y causar lesiones corporales y otros daños.
4. No exponga el cargador a lluvia o nieve.
5. El uso de un accesorio no recomendado o vendido por Black & Decker podría resultar en riesgo de incendio, descarga eléctrica o lesiones corporales.
6. Para reducir el riesgo de daño al enchufe y cable de alimentación, jale del enchufe y no del cable cuando desconecte el cargador.
7. Asegúrese que el cable no sea ubicado de manera que podría ser pisado, causar que alguien tropiece con él o ser expuesto a otro tipo de daños.
8. No se debería usar un alargador a no ser que sea absolutamente necesario. El uso de un alargador incorrecto podría resultar en riesgo de incendio, descarga eléctrica o electrocución.
- a. Cables de dos hilos pueden ser usados con alargadores de 2 ó 3 hilos. Sólo se deben usar alargadores con revestimiento redondo y recomendamos que además se encuentren en la lista de Underwriters Laboratories (U.L.). Si el alargador será utilizado en la intemperie, el cable debe ser adecuado para uso exterior. Cualquier cable marcado para uso exterior es también adecuado para uso interior. Las letras

para facilitar la recolección de baterías gastadas de níquel-cadmio. Al llevar sus baterías gastadas de níquel-cadmio a un centro de servicio autorizado Black & Decker o al minorista local para proceder al reciclaje, ayuda a proteger el medio ambiente y a conservar recursos naturales. También puede comunicarse con el centro de reciclaje de su localidad para que le informen acerca de los lugares donde puede regresar las baterías gastadas, o llamar al **(55)5326-7100**.

Accesorios

Los accesorios recomendados para ser utilizados con su herramienta se encuentran disponibles donde su distribuidor o centro de servicio autorizado locales. Si tiene alguna consulta acerca de estos accesorios, por favor llame al **(55)-5326-7100**

⚠ ADVERTENCIA: El uso de un accesorio que no sea recomendado para ser utilizado con esta herramienta podría ser peligroso.

Los siguientes accesorios deberían ser usados sólo en los tamaños especificados a continuación:

PIEZAS PARA TALADRADO EN METAL – Hasta 9,5 mm (3/8 pulg.); PIEZAS PARA TALADRADO EN MAMPOSTERÍA – 9,5 mm (3/8 pulg.); TALADRADO EN MADERA – Hasta 12,7 mm (1/2 pulg.).

Información de servicio

Todos los Centros de Servicio Black & Decker están dotados de personal capacitado para proporcionar un servicio técnico eficiente y fiable a las máquinas herramientas de nuestros clientes. Contacte al local Black & Decker más cercano para obtener consejos técnicos, reparaciones o repuestos de fábrica originales. Para encontrar el local de servicio más cercano, busque en las páginas amarillas bajo “Herramientas eléctricas”, llame al **(55)-5326-7100** o visite nuestra página web **www.blackanddecker.com**

Garantía completa de dos años para uso doméstico

Black & Decker (U.S.) Inc. garantiza este producto por dos años contra cualquier defecto en su material o fabricación. Existen dos opciones para reemplazar o reparar el producto defectuoso, sin costo.

La primera, la cual resultará sólo en un cambio, es devolver el producto al vendedor del cual fue comprado (siempre que sea un local participante). Las devoluciones deberán realizarse durante el plazo especificado en la política de devoluciones del vendedor (generalmente entre 30 y 90 días después de la fecha de compra). Puede que sea necesario presentar prueba de compra. Por favor averigüe cuál es la política del vendedor para devoluciones efectuadas más allá del plazo para cambios.

La segunda opción es llevar o enviar el producto (con franqueo pagado) a un Centro de Servicio autorizado o al Centro de Servicio Black & Decker para su reparación o reemplazo, a decisión nuestra. Puede que sea necesario presentar prueba de compra. Los Centros de Servicio autorizados y Centros de Servicio Black & Decker se encuentran en las páginas amarillas bajo “Herramientas eléctricas”.

Esta garantía no aplica a los accesorios. Esta garantía le da derechos legales específicos además de los cuales puede tener otros, los cuales varían entre estados.

Si tuviese alguna pregunta, contacte al gerente de su Centro de Servicio Black & Decker más cercano. Este producto no es para uso comercial.

Sustitución gratuita de las etiquetas de advertencia:

Si sus etiquetas de advertencia se vuelven ilegibles o se pierden, llame al **(55)-5326-7100** para conseguir repuestos gratuitos.

Nota especial de GARANTÍA para Contratistas:

Los productos de marca FIRESTORM^{MC} se ofrecen como herramientas de calidad superior para uso doméstico y llevan una GARANTÍA PARA USO DOMÉSTICO. Estas herramientas son diseñadas, fabricadas y probadas para satisfacer o sobrepasar las necesidades del bricoleo en la ejecución de proyectos y reparaciones en su casa y sus alrededores. El uso apropiado de esta herramienta le dará al dueño de casa una potencia y un desempeño superiores que durarán mucho más que la garantía de dos años. Sin embargo, si utiliza herramientas para su trabajo y usa productos de marca FIRESTORM^{MC} o cualquiera de las herramientas para uso doméstico Black & Decker EN SU LUGAR DE TRABAJO, debería saber que NO PODRÁ SER CUBIERTO BAJO NUESTRA GARANTÍA.

Para reparación y servicio de sus herramientas eléctricas, favor de dirigirse al Centro de Servicio más cercano:

CULIACAN, SIN

Av. Nicolás Bravo #1063 Sur
(667) 7 12 42 11
Col. Industrial Bravo

GUADALAJARA, JAL

Av. La Paz #1779
(33) 3825 6978
Col. Americana Sector Juárez

MEXICO, D.F.

Eje Central Lázaro Cardenas
No. 18
(55) 5588 9377
Local D, Col. Obrera

MERIDA, YUC

Calle 63 #459-A
(999) 928 5038
Col. Centro

MONTERREY, N.L.

Av. Francisco I. Madero
No.831
(81) 8375 2313
Col. Centro

PUEBLA, PUE

17 Norte #205
(222) 246 3714
Col. Centro

QUERETARO, QRO

Av. Madero 139 Pte.
(442) 214 1660
Col. Centro

SAN LUIS POTOSI, SLP

Av. Universidad 1525
(444) 814 2383
Col. San Luis

TORREON, COAH

Blvd. Independencia, 96 Pte.
(871) 716 5265
Col. Centro

VERACRUZ, VER

Prolongación Díaz Mirón #4280
(229)921 7016
Col. Remes

VILLAHERMOSA, TAB

Constitución 516-A
(993) 312 5111
Col. Centro

PARA OTRAS LOCALIDADES LLAME AL: (55) 5326 7100

Especificaciones		
FS1200D		
Cargador: 120 V 60 Hz, 12W	Salida:	14,5 V DC @ 200 mA

Vea “Herramientas eléctricas (Tools-Electric)” – Páginas amarillas – para Servicio y ventas



BLACK & DECKER S.A. DE C.V.
BOSQUES DE CIDROS ACCESO RADIATAS NO. 42
COL. BOSQUES DE LAS LOMAS.
05120 MÉXICO, D.F.
TEL. 55-5326-7100