

18 Volt Cordless Sander INSTRUCTION MANUAL

Catalog Number FS1802S

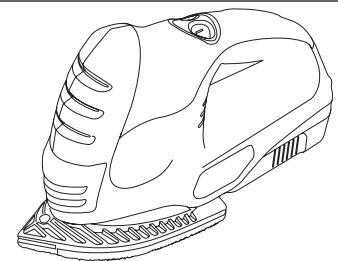
THANK YOU FOR CHOOSING BLACK & DECKER!
GO TO WWW.BLACKANDDECKER.COM/NEWOWNER
TO REGISTER YOUR NEW PRODUCT.

**BEFORE RETURNING THIS PRODUCT
FOR ANY REASON PLEASE CALL
1-800-544-6986**

BEFORE YOU CALL, HAVE THE CATALOG No. AND DATE CODE AVAILABLE. IN MOST CASES, A BLACK & DECKER REPRESENTATIVE CAN RESOLVE THE PROBLEM OVER THE PHONE. IF YOU HAVE A SUGGESTION OR COMMENT, GIVE US A CALL. YOUR FEEDBACK IS VITAL TO BLACK & DECKER.

KEY INFORMATION YOU SHOULD KNOW:

- Never operate the sander without recommended sandpaper properly installed on the base.
- Do not push down—let the sander do the work.
- Extended drywall sanding is not recommended.



SAVE THIS MANUAL FOR FUTURE REFERENCE.

VEA EL ESPAÑOL EN LA CONTRAPORTADA.

INSTRUCTIVO DE OPERACIÓN, CENTROS DE SERVICIO Y POLIZA DE GARANTÍA. **ADVERTENCIA:** LEASE ESTE INSTRUCTIVO ANTES DE USAR EL PRODUCTO.

Cat. Nos. FS1802S
Copyright © 2006 Black & Decker

Form No. 5106621-06 REV. 1
Printed in China

(FEB. 06)

⚠ General Safety Rules - For All Battery Operated Tools

⚠ WARNING! READ AND UNDERSTAND ALL INSTRUCTIONS.

Failure to follow all instructions listed below, may result in electric shock, fire and/or serious personal injury.

SAVE THESE INSTRUCTIONS

Work Area

- **Keep your work area clean and well lit.** Cluttered benches and dark areas invite accidents.
- **Do not operate power tools in explosive atmospheres, such as in the presence of flammable liquids, gases, or dust.** Power tools create sparks which may ignite the dust or fumes.
- **Keep bystanders, children, and visitors away while operating a power tool.** Distractions can cause you to lose control.

Electrical Safety

- **Do not abuse the cord.** Never use the cord to carry the tool. Keep cord away from heat, oil, sharp edges or moving parts. Replace damaged cords immediately. Damaged cords may create a fire.
- **A battery operated tool with integral batteries or a separate battery pack must be recharged only with the specified charger for the battery.** A charger that may be suitable for one type of battery may create a risk of fire when used with another battery.
- **Use battery operated tool only with specifically designated battery pack.** Use of any other batteries may create a risk of fire.

Personal Safety

- **Stay alert, watch what you are doing and use common sense when operating a power tool. Do not use tool while tired or under the influence of drugs, alcohol, or medication.** A moment of inattention while operating power tools may result in serious personal injury.
- **Dress properly. Do not wear loose clothing or jewelry. Contain long hair. Keep your hair, clothing, and gloves away from moving parts.** Loose clothing, jewelry, or long hair can be caught in moving parts. Air vents cover moving parts and should be avoided.
- **Avoid accidental starting. Be sure switch is in the locked or off position before inserting battery pack.** Carrying tools with your finger on the switch or inserting the battery pack into a tool with the switch on invites accidents.
- **Remove adjusting keys or wrenches before turning the tool on.** A wrench or key that is left attached to a rotating part of the tool may result in personal injury.
- **Do not overreach. Keep proper footing and balance at all times.** Proper footing and balance enables better control of the tool in unexpected situations.
- **Use safety equipment. Always wear eye protection.** Dust mask, non-skid safety shoes, hard hat, or hearing protection must be used for appropriate conditions.

Tool Use and Care

- **Use clamps or other practical way to secure and support the workpiece to a stable platform.** Holding the work by hand or against your body is unstable and may lead to loss of control.
- **Do not force tool. Use the correct tool for your application.** The correct tool will do the job better and safer at the rate for which it is designed.
- **Do not use tool if switch does not turn it on or off.** A tool that cannot be controlled with the switch is dangerous and must be repaired.
- **Disconnect battery pack from tool or place the switch in the locked or off position before making any adjustments, changing accessories, or storing the tool.** Such preventative safety measures reduce the risk of starting the tool accidentally.
- **Store idle tools out of reach of children and other untrained persons.** Tools are dangerous in the hands of untrained users.
- **When battery pack is not in use, keep it away from other metal objects like: paper clips, coins, keys, nails, screws or other small metal objects that can make a connection from one terminal to another.** Shorting the battery terminals together may cause sparks, burns, or a fire.
- **Maintain tools with care. Keep cutting tools sharp and clean.** Properly maintained tools, with sharp cutting edge are less likely to bind and are easier to control.

- **Check for misalignment or binding of moving parts, breakage of parts, and any other condition that may affect the tool's operation. If damaged, have the tool serviced before using.** Many accidents are caused by poorly maintained tools.
- **Use only accessories that are recommended by the manufacturer for your model.** Accessories that may be suitable for one tool may create a risk of injury when used on another tool.

Service

- **Tool service must be performed only by qualified repair personnel.** Service or maintenance performed by unqualified personnel could result in a risk of injury.
- **When servicing a tool, use only identical replacement parts. Follow instructions in the Maintenance section of this manual.** Use of unauthorized parts or failure to follow Maintenance Instructions may create a risk of electric shock or injury.

Specific Safety Rules

- **Hold tool by insulated gripping surfaces when performing an operation where the cutting tool may contact hidden wiring or its own cord.** Contact with a "live" wire will make exposed metal parts of the tool "live" and shock the operator.
- **When working on a ladder or on scaffolding be sure to lay the tool down on its side when not in use.** Some tools with large battery packs will stand upright but may be easily knocked over.

⚠ **WARNING: Some dust created by power sanding, sawing, grinding, drilling, and other construction activities contains chemicals known to cause cancer, birth defects or other reproductive harm. Some examples of these chemicals are:**

- lead from lead-based paints,
- crystalline silica from bricks and cement and other masonry products, and
- arsenic and chromium from chemically-treated lumber (CCA).

Your risk from these exposures varies, depending on how often you do this type of work. To reduce your exposure to these chemicals: work in a well ventilated area, and work with approved safety equipment, such as those dust masks that are specially designed to filter out microscopic particles.

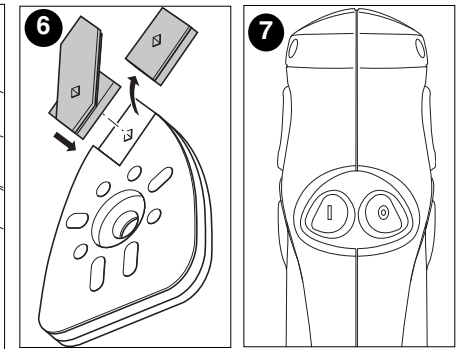
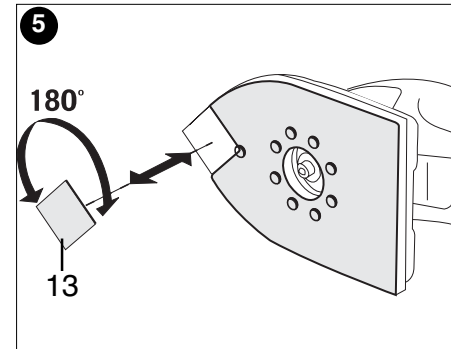
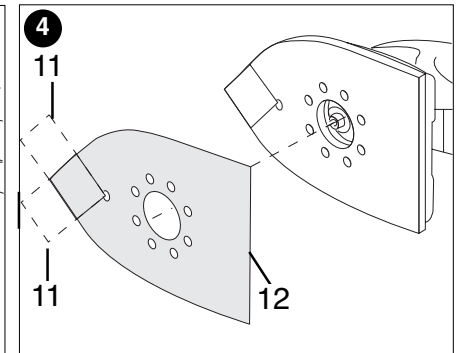
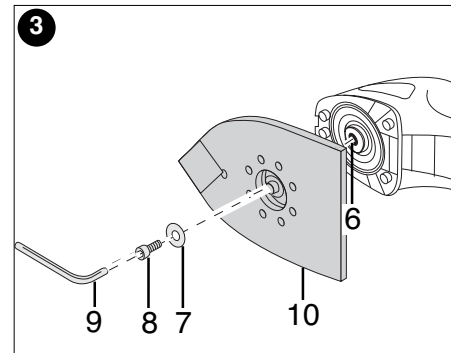
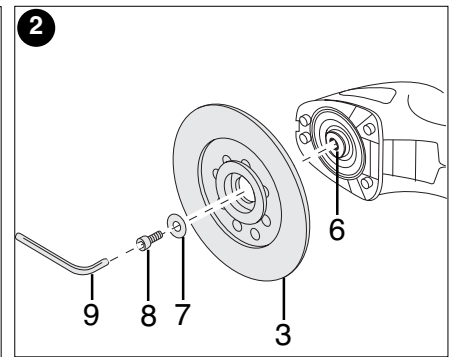
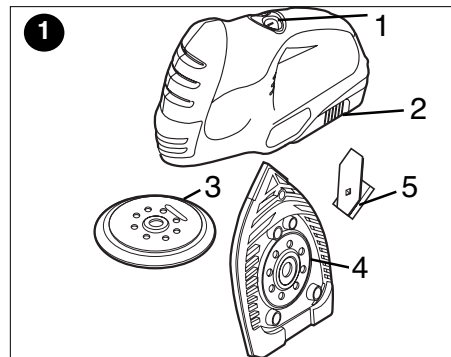
- **Avoid prolonged contact with dust from power sanding, sawing, grinding, drilling, and other construction activities. Wear protective clothing and wash exposed areas with soap and water.** Allowing dust to get into your mouth, eyes, or lay on the skin may promote absorption of harmful chemicals.

⚠ **WARNING: Use of this tool can generate and/or disburse dust, which may cause serious and permanent respiratory or other injury.** Always use NIOSH/OSHA approved respiratory protection appropriate for the dust exposure. Direct particles away from face and body.

⚠ **CAUTION: Wear appropriate hearing protection during use.** Under some conditions and duration of use, noise from this product may contribute to hearing loss.

The label on your tool may include the following symbols.

V	volts	A	amperes
Hz	hertz	W	watts
min	minutes	~	alternating current
— — —	direct current	n _o	no load speed
□	Class II Construction	⊕	earthing terminal
⚠	safety alert symbol	.../min	revolutions or reciprocations per minute



⚠ Safety Warnings and Instructions: Sanders

- **ALWAYS WEAR EYE AND RESPIRATORY PROTECTION.**
- Clean your tool out periodically.

⚠ Other Important Safety Warnings and Instructions

Sanding

Lead based Paint

Sanding of lead based paint is NOT RECOMMENDED due to the difficulty of controlling the contaminated dust. The greatest danger of lead poisoning is to children and pregnant women. Since it is difficult to identify whether or not a paint contains lead without a chemical analysis, we recommend the following precautions when sanding any paint:

Personal Safety

- No children or pregnant women should enter the work area where the paint sanding is being done until all clean up is completed.
- A dust mask or respirator should be worn by all persons entering the work area. The filter should be replaced daily or whenever the wearer has difficulty breathing.
NOTE: Only those dust masks suitable for working with lead paint dust and fumes should be used. Ordinary painting masks do not offer this protection. See your local hardware dealer for the proper (NIOSH approved) mask.
- **NO EATING, DRINKING or SMOKING** should be done in the work area to prevent ingesting contaminated paint particles. Workers should wash and clean up BEFORE eating, drinking or smoking. Articles of food, drink, or smoking should not be left in the work area where dust would settle on them.

Environmental Safety

- Paint should be removed in such a manner as to minimize the amount of dust generated.
- Areas where paint removal is occurring should be sealed with plastic sheeting of 4 mils thickness.
- Sanding should be done in a manner to reduce tracking of paint dust outside the work area.

Cleaning and Disposal

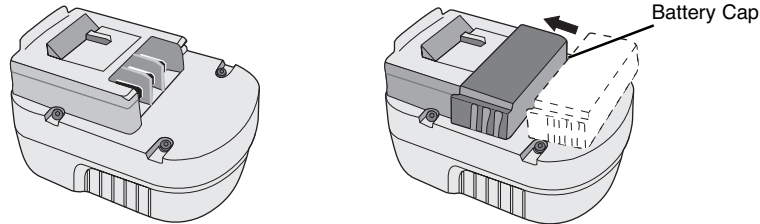
- All surfaces in the work area should be vacuumed and thoroughly cleaned daily for the duration of the sanding project. Vacuum filter bags should be changed frequently.
- Plastic drop cloths should be gathered up and disposed of along with any dust chips or other removal debris. They should be placed in sealed refuse receptacles and disposed of through regular trash pick-up procedures. During clean up, children and pregnant women should be kept away from the immediate work area.
- All toys, washable furniture and utensils used by children should be washed thoroughly before being used again.

Motor

Be sure your power supply agrees with nameplate marking. 120 Volts AC only means your tool will operate on standard 60 Hz household power. Do not operate AC tools on DC. A rating of 120 volts AC/DC means that you tool will operate on standard 60 Hz AC or DC power. This information is printed on the nameplate. Lower voltage will cause loss of power and can result in over-heating. All Black & Decker tools are factory-tested; if this tool does not operate, check the power supply.

BATTERY CAP INFORMATION

Battery storage and carrying caps are provided for use whenever the battery is out of the tool or charger. Remove cap before placing battery in charger or tool.



⚠ WARNING: Do not store or carry battery so that metal objects can contact exposed battery terminals. For example, do not place battery in aprons, pockets, tool boxes, product kit boxes, drawers, etc. with loose nails, screws, keys, etc. without battery cap. Transporting batteries can possibly cause fires if the battery terminals inadvertently come in contact with conductive materials such as keys, coins, hand tools and the like. The US Department of Transportation Hazardous Material Regulations (HMR) actually prohibit transporting batteries in commerce or on airplanes (i.e. packed in suitcases and carryon luggage) UNLESS they are properly protected from short circuits. So when transporting individual batteries, make sure that the battery terminals are protected and well insulated from materials that could contact them and cause a short circuit.

SAVE THESE INSTRUCTIONS

⚠ IMPORTANT SAFETY INSTRUCTIONS

- SAVE THESE INSTRUCTIONS.**
 - Before using charger, read and understand all instructions and cautionary markings on (1) charger, (2) battery pack, and (3) product using battery pack.
 - ⚠ DANGER:** 120 volts present at charging terminals. Do not probe with conductive objects. Danger of electric shock or electrocution.
 - ⚠ DANGER:** If battery pack case is cracked or damaged, do not insert into charger. Danger of electric shock or electrocution.
 - ⚠ DANGER:** Never attempt to open the battery pack for any reason. If the plastic housing of the battery pack breaks or cracks, return to a service center for recycling.
 - ⚠ WARNING:** Don't allow any liquid to get inside charger. Electric shock may result.
 - ⚠ CAUTION:** To reduce risk of injury, charge only Black & Decker rechargeable batteries. Other types of batteries may burst, causing personal injury and damage.
 - To facilitate the cooling of the battery pack after use, avoid placing the charger or battery pack in a warm environment such as in a metal shed, or an uninsulated trailer.
 - Do not expose charger to rain or snow.
 - Use of an attachment not recommended or sold by Black & Decker may result in risk of fire, electric shock, or injury to persons.
 - This charger is not intended for any uses other than charging Black & Decker rechargeable batteries. Any other uses may result in risk of fire, electric shock or electrocution.
 - To reduce risk of damage to electric plug and cord, pull by plug rather than cord when disconnecting charger.
 - Make sure cord is located so that it will not be stepped on, tripped over, or otherwise subjected to damage or stress.
 - An extension cord should not be used unless absolutely necessary. Use of improper extension cord could result in risk of fire, electric shock, or electrocution. If an extension cord must be used, make sure:
 - That the pins on plug of extension cord are the same number, size and shape of those of plug on charger.
 - That extension cord is properly wired and in good electrical condition and the wire size is large enough for AC ampere rating of charger as specified below.
- An extension cord must have adequate wire size (AWG or American Wire Gauge) for safety. The smaller the gauge number of the wire, the greater the capacity of the cable, that is, 16 gauge has more capacity than 18 gauge. When using more than one extension to make up the total length, be sure each individual extension contains at least the minimum wire size.

RECOMMENDED MINIMUM AWG SIZE FOR EXTENSION CORDS

TOTAL EXTENSION CORD LENGTH (FEET)	25	50	75	100	125	150	175
WIRE GAUGE	18	18	16	16	14	14	12

- The charger is ventilated through slots in the housing. Do not place any object on top of charger or place the charger on a soft surface that might block the ventilation slots and result in excessive internal heat. Place the charger in a position away from any heat source.
- Do not operate charger with damaged cord or plug — have them replaced immediately.
- Do not operate charger if it has received a sharp blow, been dropped, or otherwise damaged in any way; take it to an authorized service center.
- Do not disassemble charger; take it to an authorized service center when service or repair is required. Incorrect reassembly may result in risk of electric shock, electrocution or fire.
- The charger is designed to operate on standard 120 VAC, 60Hz household electrical power. Do not attempt to use it on any other voltage.
- To reduce risk of electric shock, unplug charger from outlet before attempting any cleaning. Removing the battery pack will not reduce this risk.
- NEVER attempt to connect 2 chargers together.
- DO NOT store or use the tool and battery pack in locations where the temperature may reach or exceed 105°F (such as outside sheds or metal buildings in summer).
- A small leakage of liquid from the battery cells may occur under extreme usage, charging or temperature conditions. This does not indicate a failure. However, if the outer seal is broken and this leakage gets on your skin:
 - Wash quickly with soap and water.
 - Neutralize with a mild acid such as lemon juice or vinegar.
 - If the battery liquid gets in your eyes, flush them with clean water for a minimum of 10 minutes and seek immediate medical attention. **MEDICAL NOTE:** The liquid is a 25-35% solution of potassium hydroxide.

SAVE THESE INSTRUCTIONS

INTRODUCTION

READ AND UNDERSTAND ALL OF THE INSTRUCTIONS IN THIS MANUAL BEFORE ATTEMPTING TO CHARGE THE BATTERY PACK FOR YOUR TOOL.

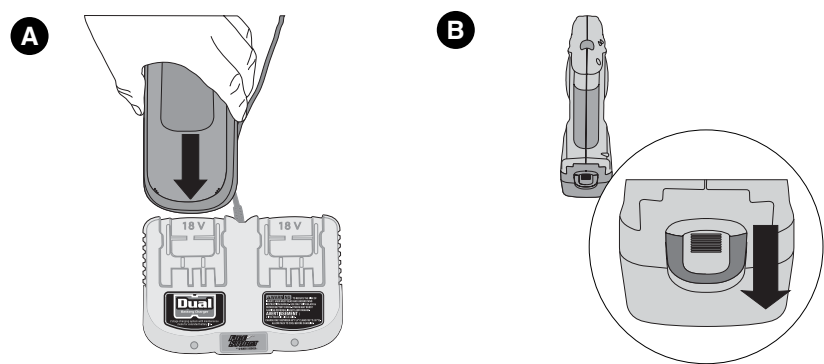
Your charger is designed to use standard 120 volt AC, 60 Hz power. Do not use DC or any other voltage. Charge time is 3 to 6 hours depending on battery pack type and condition.

CHARGING PROCEDURE

- Plug the charger into an appropriate outlet.
- Insert 1 or 2 batteries into the charger (Figure A).

NOTE: Charge time is the same for multiple batteries. Be sure the battery is fully seated in the charger. The red "Charging Indicator" light will come on indicating that there is contact between the battery and charger. The light will stay on as long as the battery is in the charger and the charger is plugged into a working outlet. It **WILL NOT** flash, go out or change to a different color when the charging cycle is complete.

Remove pack from the charger and place in tool. **NOTE:** To remove the battery from the tool, press down on the release button on the back of the battery (Figure B) and pull out.



LEAVING THE BATTERY PACK IN THE CHARGER

The charger and battery pack can be left connected with the red light glowing indefinitely. The charger will keep the battery pack fresh and fully charged.

NOTE: A battery pack will slowly lose its charge when kept out of the charger. If the battery pack has not been kept on maintenance charge, it may need to be recharged before use. A battery pack may also slowly lose its charge if left in a charger that is not plugged into an appropriate AC source.

IMPORTANT CHARGING NOTES

- Longest life and best performance can be obtained if the battery pack is charged when the air temperature is between 65°F and 75°F (18°- 24°C). DO NOT charge the battery pack in an air temperature below +40°F(+4.5°C), or above +105°F (+40.5°C). This is important and will prevent serious damage to the battery pack.
- The charger and battery pack may become warm to touch while charging. This is a normal condition, and does not indicate a problem.
- If the battery pack does not charge properly — (1) Check power at receptacle by plugging in a lamp or other appliance. (2) Check to see if receptacle is connected to a light switch which turns power off when you turn out the lights. (3) Move charger and battery pack to a location where the surrounding air temperature is approximately 65°F - 75°F (18°- 24°C). (4) If charging problems persist, take or send the tool, battery pack and charger to your local service center.
- The battery pack should be recharged when it does not produce sufficient power on jobs which were easily done previously. DO NOT CONTINUE use under these conditions. Follow the charging procedures. You may also charge a partially used pack whenever you desire with no adverse affect on the battery pack.
- Black & Decker battery packs that are labeled "NiMH" should only be used with chargers labeled "NiMH" or "NiCd/NiMH."
- Under certain conditions, with the charger plugged into the power supply, the exposed charging contacts inside the charger can be shorted by foreign material. Foreign materials of a conductive nature such as, but not limited to, steel wool, aluminum foil, or any buildup of metallic particles should be kept away from charger cavities. Always unplug the charger from the power supply when there is no battery pack in the cavity. Unplug charger before attempting to clean.
- Do not immerse charger in water or any other liquid.

Assembly

⚠ CAUTION: Before assembly, always ensure that the battery is removed from the tool.

Overview (Fig.1)

- On/Off Switch
- Battery Pack
- Random Orbit Sanding Base
- Large Detail Sanding Base
- Finger Attachment Sanding Base

Random orbit sanding base

With this sanding base, you can use the tool as a random orbit sander.

Fitting and removing the sanding base (Fig. 2)

- Place the sanding base (3) onto the spindle (6).
- Place the washer (7) onto the spindle.
- Insert the allen screw (8) into the screw hole in the spindle.
- Tighten the allen screw using the hex wrench (9) supplied.
- To remove the sanding base, remove the allen screw (8) and washer (7).

Fitting sanding discs

- Hold the tool with the sanding base facing upwards.
- Place the sanding disc onto the sanding base (3). The holes in the disc do not need to line up with the holes in the base.

Large detail sanding base

With this sanding base, you can use the tool as a detail sander or an orbital sander.

Fitting and removing the sanding base (Fig. 3)

- Place the sanding base (10) onto the spindle (6).
- Place the washer (7) onto the spindle.
- Insert the allen screw (8) into the screw hole in the spindle.
- Tighten the allen screw using the hex wrench (9) supplied.
- To remove the sanding base, remove the allen screw (8) and washer (7).

Fitting sanding sheets (Fig. 4)

- Detach the two diamond-shaped tips (11) from the sanding sheet (12).
- Hold the tool with the sanding base facing upwards.
- Place the sanding sheet (12) onto the sanding base making sure the holes in the sheet line up with the holes in the base.

Diamond-shaped tips (Fig. 5)

The diamond-shaped tips (13) can be reversed and replaced when worn.

- When the front part of the tip is worn, detach it from the sheet, reverse it and press it onto the sanding base again.
- When the whole tip is worn, remove it from the sanding base and fit a new tip.

Finger attachment (Fig. 6)

The finger attachment is used for fine detail sanding.

- Remove the screw.
- Remove the diamond-shaped tip holder from the sanding base.
- Fit the finger attachment onto the sanding base.
- Fit and tighten the screw.

Operation

Let the tool work at its own pace. Do not overload.

Switching on and off (Fig. 7)

- To switch the tool on, press the part of the on/off switch (1) marked "I".
- To switch the tool off, press the part of the on/off switch (1) marked "O".

Dust Collection

Note: A vacuum cleaner attachment is available as a service part at extra cost. To find your nearest Black & Decker Service Center location, refer to the yellow pages directory under "Tools—Electric" or call: 1-800-54-HOW-TO (544-6986).

⚠ WARNING: Collected sanding dust from sanding surface coatings (polyurethane, linseed oil, etc.) can self-ignite and cause fire. To reduce risk, strictly follow sander manual and coating manufacturer's instructions.

⚠ WARNING: When working on metal surfaces, do not use a vacuum cleaner because sparks are generated. Wear safety glasses and a dustmask. Due to the danger of fire, do not use your sander to sand magnesium surfaces. Do not use for wet sanding.

Troubleshooting

Problem

- Unit will not start.

Possible Cause

- Battery not installed properly.
- Battery not charged.

Possible Solution

- Check battery installation.
- Check battery charging requirements.
- Insert battery into charger until red LED appears.
- Plug charger into a working outlet. Refer to "Important Charging Notes" for more details.
- Move charger and tool to a surrounding air temperature of above 40 degree F (4,5°C) or below 105 degree F (+40,5°C).

- Battery will not charge.

- Battery not inserted into charger.

- Charger not plugged in.

- Surrounding air temperature too hot or too cold.

For assistance with your product, visit our website www.blackanddecker.com for the location of the service center nearest you or call the BLACK & DECKER help line at **1-800-544-6986**.

Maintenance / Cleaning

Use only mild soap and damp cloth to clean the tool. Many household cleaners contain chemicals which could seriously damage the plastic and gel components. Also do not use gasoline, turpentine, lacquer or paint thinners or similar products. Never let any liquid get inside the tool; never immerse any part of the tool into a liquid.

IMPORTANT: To assure product SAFETY and RELIABILITY, repairs, maintenance and adjustment should be performed by authorized service centers or other qualified service personnel, always using identical replacement parts.

The RBRC™ Seal

The RBRC™ (Rechargeable Battery Recycling Corporation) Seal on the nickel-cadmium battery (or battery pack) indicates that the costs to recycle the battery (or battery pack) at the end of its useful life have already been paid by Black & Decker. In some areas, it is illegal to place spent nickel-cadmium batteries in the trash or municipal solid waste stream and the RBRC program provides an environmentally conscious alternative.

RBRC in cooperation with Black & Decker and other battery users, has established programs in the United States and Canada to facilitate the collection of spent nickel-cadmium batteries. Help protect our environment and conserve natural resources by returning the spent nickel-cadmium battery to an authorized Black & Decker service center or to your local retailer for recycling. You may also contact your local recycling center for information on where to drop off the spent battery, or call **1-800-8-BATTERY**.



Accessories

Recommended accessories for use with your tool are available from your local dealer or authorized service center. If you need assistance regarding accessories, please call: **1-800-54-HOW TO (1-800-544-6986)**.

⚠ WARNING: The use of any accessory not recommended for use with this tool could be hazardous.

Special WARRANTY Note to Contractors:

FIRESTORM™ branded products are offered as high end consumer home use tools and carry a **HOME USE WARRANTY**. These tools are designed, manufactured and tested to meet or exceed the needs of the do-it-yourselfer in the execution of projects and repairs in and around the home. With proper use they will provide the home owner with step up power and performance well beyond their two year warranty. However, if you use tools for a living and use FIRESTORM™ branded products or any of Black & Decker's other Consumer Home Use tools **ON THE JOBSITE** you should know that they **CANNOT BE COVERED UNDER OUR WARRANTY**.

Service Information

All Black & Decker Service Centers are staffed with trained personnel to provide customers with efficient and reliable power tool service. Whether you need technical advice, repair, or genuine factory replacement parts, contact the Black & Decker location nearest you. To find your local service location, refer to the yellow page directory under "Tools—Electric" or call: **1-800-544-6986** or visit www.blackanddecker.com

Full Two-Year Home Use Warranty

Black & Decker (U.S.) Inc. warrants this product for two years against any defects in material or workmanship. The defective product will be replaced or repaired at no charge in either of two ways.

The first, which will result in exchanges only, is to return the product to the retailer from whom it was purchased (provided that the store is a participating retailer). Returns should be made within the time period of the retailer's policy for exchanges (usually 30 to 90 days after the sale). Proof of purchase may be required. Please check with the retailer for their specific return policy regarding returns that are beyond the time set for exchanges.

The second option is to take or send the product (prepaid) to a Black & Decker owned or authorized Service Center for repair or replacement at our option. Proof of purchase may be required. Black & Decker owned and authorized Service Centers are listed under "Tools-Electric" in the yellow pages of the phone directory and on our website www.blackanddecker.com.

This warranty does not apply to accessories. This warranty gives you specific legal rights and you may have other rights which vary from state to state. Should you have any questions, contact the manager of your nearest Black & Decker Service Center. This product is not intended for commercial use.

FREE WARNING LABEL REPLACEMENT: If your warning labels become illegible or are missing, call 1-800-544-6986 for a free replacement.

Black & Decker (U.S.) Inc.,
701 E. Joppa Rd.
Towson, MD 21286 U.S.A.



See "Tools-Electric"
– Yellow Pages –
for Service & Sales



**MERCI D'AVOIR CHOISI BLACK & DECKER!
VISITEZ WWW.BLACKANDDECKER.COM/NEUOWNER
POUR ENREGISTRER VOTRE NOUVEAU PRODUIT.**

**AVANT DE RETOURNER CE PRODUIT POUR QUELQUE
RAISON QUE CE SOIT, COMPOSER LE NUMÉRO
SUIVANT : 1 800 544-6986**

IMPORTANT RENSEIGNEMENTS :

- Ne jamais utiliser la ponceuse sans le papier abrasif recommandé installé correctement sur sa base.
- Ne pas appuyer sur la ponceuse, la laisser effectuer le travail.
- Le ponçage intensif du placoplâtre n'est pas recommandé.

⚠ RÈGLES DE SÉCURITÉ CONCERNANT LES OUTILS À PILE – GÉNÉRALITÉS

⚠ AVERTISSEMENT : Lire, comprendre et suivre toutes les directives précisées ci-dessous, y compris les consignes de sécurité, afin d'éviter les risques de choc électrique, d'incendie ou de blessure grave.

CONSERVER LE PRÉSENT GUIDE À TITRE DE RÉFÉRENCE

Aire de travail

- **L'aire de travail doit être propre et bien éclairée.** Les établis encombrés et les endroits sombres peuvent entraîner des accidents.
- **Ne pas faire fonctionner des outils électriques dans des atmosphères explosives, comme en présence de liquides, de gaz et de poussières inflammables.** Les outils électriques produisent des étincelles qui peuvent enflammer la poussière ou les vapeurs.
- **Tenir les enfants, les visiteurs ou toute autre personne à l'écart lorsqu'on utilise un outil électrique;** les distractions peuvent faire perdre la maîtrise de ce dernier.

Mesures de sécurité – Électricité

- **Ne pas utiliser le cordon de manière abusive; on ne doit pas transporter l'outil en le tenant par le cordon. On doit tenir le cordon à l'écart des sources de chaleur, de l'huile, des bords tranchants ou des pièces mobiles. Remplacer immédiatement les cordons endommagés,** car ces derniers peuvent causer un incendie.

- **Un outil à piles intégrées ou à bloc-piles externe doit être rechargé seulement au moyen du chargeur approprié,** car un chargeur destiné à une pile particulière peut entraîner un risque d'incendie lorsqu'il est utilisé avec une autre.
- **N'utiliser l'outil à piles qu'avec le bloc-piles indiqué,** car l'utilisation d'un autre type de piles peut entraîner un risque d'incendie.

Sécurité personnelle

- **Rester vigilant en tout temps et faire preuve de jugement lorsqu'on utilise un outil électrique; ne pas utiliser l'outil lorsqu'on est fatigué ou sous l'influence de drogues, d'alcool ou de médicaments,** car un moment d'inattention pourrait entraîner des blessures graves.
- **Porter des vêtements appropriés. Ne pas porter des vêtements amples ou des bijoux. Couvrir ou attacher les cheveux longs.** Garder les cheveux, les vêtements, les bijoux et les gants éloignés des pièces mobiles, car ceux-ci peuvent s'y coincer. Se tenir éloigné des événements puisque ces derniers pourraient camoufler des pièces mobiles.
- **Éviter les démarrages accidentels; s'assurer que l'interrupteur est en position d'arrêt avant de brancher l'outil.** Ne pas transporter l'outil en laissant le doigt sur l'interrupteur ni le brancher lorsque l'interrupteur est en position de marche, car cela pourrait causer un accident.
- **Retirer les clés de réglage avant de démarrer l'outil.** Une clé laissée sur une pièce rotative pourrait entraîner des blessures.
- **Ne pas trop étendre les bras; les pieds doivent rester ancrés fermement au sol afin de maintenir son équilibre en tout temps** et de mieux maîtriser l'outil dans des situations imprévues.
- **Utiliser le matériel de sécurité approprié; toujours porter des lunettes de protection.** Porter un masque anti-poussières, des chaussures antidérapantes, un casque de sécurité ou des protecteurs auditifs lorsque la situation le requiert.

Utilisation et entretien de l'outil

- **Fixer et soutenir la pièce sur une plate-forme stable au moyen d'une bride de serrage ou de tout autre dispositif semblable.** La pièce est instable lorsqu'on la retient manuellement ou qu'on l'appuie contre le corps, ce qui pourrait faire perdre la maîtrise de l'outil.
- **Ne pas forcer l'outil ni l'utiliser pour des travaux autres que ceux pour lesquels il a été conçu.** Pour obtenir de meilleurs résultats et prévenir les risques de blessure, laisser l'outil couper à la vitesse pour laquelle il a été conçu.
- **Ne pas utiliser l'outil lorsque l'interrupteur marche-arrêt ne fonctionne pas.** Tout outil qui ne peut être commandé au moyen de l'interrupteur est dangereux et doit être réparé.
- **Déconnecter le bloc-piles de l'outil ou placer l'interrupteur en position d'arrêt ou de verrouillage avant d'effectuer tout réglage, changement d'accessoires, ou de ranger l'outil.** Ces mesures de sécurité préventives réduisent les risques de démarrage accidentel.
- **Lorsqu'on n'utilise pas l'outil, le ranger hors de la portée des enfants ou des personnes non qualifiées.** Les outils sont dangereux entre les mains de personnes inexpérimentées.
- **Lorsqu'on n'utilise pas le bloc-piles, le ranger à l'écart des objets métalliques tels que les trombones, les pièces de monnaie, les clés, les clous, les vis ou autres petits objets susceptibles de conduire l'électricité entre les bornes et d'occasionner ainsi un court-circuit pouvant provoquer des étincelles, des brûlures ou un incendie.**
- **Bien entretenir l'outil; s'assurer qu'il est toujours bien propre et aiguisé.** Les outils bien entretenus et dont les bords sont bien tranchants sont moins susceptibles de rester coincés et sont plus faciles à maîtriser.
- **Vérifier les pièces mobiles afin de s'assurer qu'elles sont bien alignées et qu'elles ne restent pas coincées. Vérifier également les pièces afin de s'assurer qu'il n'y a aucun bris ni aucune autre condition susceptible de nuire au bon fonctionnement de l'outil. Faire réparer l'outil si ce dernier est endommagé avant de s'en servir à nouveau,** car les accidents sont souvent causés par des outils mal entretenus.
- **N'utiliser que les accessoires recommandés par le fabricant pour le modèle concerné.** Un accessoire destiné à un outil particulier peut devenir dangereux lorsqu'il est utilisé avec un autre.

Entretien

- **L'outil doit être entretenu par le personnel qualifié seulement;** toute maintenance effectuée par une personne non qualifiée pourrait entraîner des risques de blessure.
- **Lors de l'entretien, n'utiliser que des pièces de rechange identiques et suivre les directives précisées à la section « Entretien »** du présent guide afin de prévenir les risques de choc électrique ou de blessure.

Consignes de sécurité particulières

- **Tenir l'outil par les surfaces de préhension isolées pour effectuer une opération dans laquelle l'outil de coupe peut entrer en contact de fils cachés ou de son propre cordon.** Tout contact avec un fil sous tension met les parties métalliques exposées de l'outil sous tension et transmet un choc électrique à l'opérateur.
- **Lorsqu'on travaille sur une échelle ou un échafaudage, on doit déposer l'outil sur le côté lorsqu'on ne s'en sert plus.** Bien que certains outils munis d'un gros bloc-piles puissent être placés à la verticale, dans cette position, ils peuvent facilement être renversés.

⚠ AVERTISSEMENT : Certains outils électriques, tels que les sableuses, les scies, les meules, les perceuses ou certains autres outils de construction, peuvent produire de la poussière contenant des produits chimiques susceptibles d'entraîner le cancer, des malformations congénitales ou pouvant être nocifs pour le système reproductif. Parmi ces produits chimiques, on retrouve :

- le plomb dans les peintures à base de plomb,

- la silice cristalline dans les briques et le ciment et autres produits de maçonnerie,

- l'arsenic et le chrome dans le bois de sciage ayant subi un traitement chimique (comme l'arséniate de cuivre et de chrome).

Le risque associé à de telles expositions varie selon la fréquence avec laquelle on effectue ces travaux. Pour réduire l'exposition à de tels produits, il faut travailler dans un endroit bien aéré et utiliser le matériel de sécurité approprié, tel un masque anti-pous sières spécialement conçu pour filtrer les particules microscopiques.

- **Éviter tout contact prolongé avec la poussière soulevée par cet outil ou autres outils électriques. Porter des vêtements de protection et nettoyer les parties exposées du corps à l'eau savonneuse.** S'assurer de bien se protéger afin d'éviter d'absorber par la bouche, les yeux ou la peau des produits chimiques nocifs.

⚠ AVERTISSEMENT : Cet outil peut produire et répandre de la poussière susceptible de causer des dommages sérieux et permanents au système respiratoire. Toujours utiliser un appareil respiratoire anti-poussières approprié approuvé par le NIOSH ou l'OSHA. Diriger les particules dans le sens opposé du visage et du corps.

⚠ MISE EN GARDE : Porter un appareil de protection personnel anti-bruit approprié durant l'utilisation. Sous certaines conditions et pendant toute la durée de l'utilisation, le bruit émanant de ce produit pourrait contribuer à la perte d'audition.

L'étiquette apposée sur l'outil peut afficher les symboles suivants.

V	volts	A	ampères
Hz	hertz	W	watts
min	minutes	~	courant alternatif
☐	courant continu	no	aucune option à vide
==	construction de classe II	⊕	borne de terre
⚠	symbole d'avertissement	.../min	tours ou mouvements alternatifs par minute

⚠ Mesures de sécurité : Ponceuses

- **TOUJOURS PORTER DES LUNETTES DE SÉCURITÉ.**
- Nettoyer l'outil régulièrement.

⚠ Autres mesures de sécurité importantes

Ponçage

Peinture à base de plomb

IL N'EST PAS RECOMMANDÉ de poncer de la peinture à base de plomb puisqu'il est difficile d'en maîtriser la poussière contaminée. Ce genre de ponçage présente de sérieux risques d'empoisonnement au plomb pour les femmes enceintes et les enfants. Puisqu'il est difficile de déterminer si la peinture renferme du plomb sans en faire une analyse chimique, il est conseillé de se conformer aux mesures suivantes lors du ponçage de tout type de peinture.

Sécurité personnelle

- Ne laisser aucun enfant ni aucune femme enceinte entrer dans la pièce où il y a ponçage de peinture jusqu'à ce que la pièce soit nettoyée.
 - Toute personne qui entre dans l'aire de travail doit porter un masque anti-poussière ou un appareil respiratoire; le filtre doit être remplacé chaque jour ou lorsque la respiration devient difficile
- REMARQUE :** seuls les masques qui protègent contre les poussières et les émanations de plomb doivent être utilisés, car les masques ordinaires n'offrent pas la protection voulue.

Consulter le quincaillier local pour obtenir un masque approuvé par le niosh (national institute of occupational health and safety).

- **IL EST DÉCONSEILLÉ DE MANGER, DE BOIRE ET DE FUMER** dans la pièce de travail afin de ne pas ingérer de particules contaminées. L'utilisateur doit se laver et se nettoyer AVANT de manger, de boire ou de fumer. Il ne faut pas laisser dans la pièce de travail de la nourriture, des boissons ou des cigarettes car de la poussière pourrait se déposer sur ces articles.

Protection de l'environnement

- Il faut enlever la peinture de manière à produire un minimum de poussière.
- Il faut sceller la zone de travail à l'aide de feuilles de plastique d'une épaisseur minimale de 4 mils.
- Il faut poncer de façon à réduire la propagation de la poussière hors de la pièce de travail.

Nettoyage et déchets

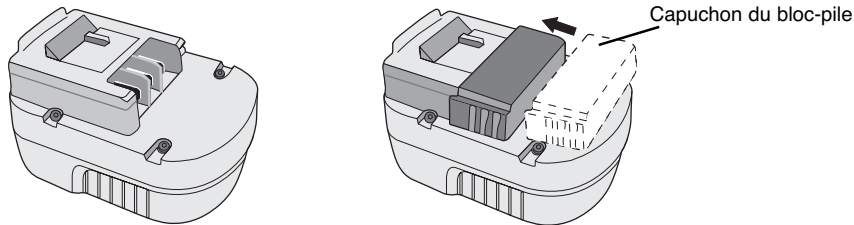
- Il faut bien aspirer toutes les surfaces de la pièce de travail et les nettoyer à fond chaque jour pendant la durée des travaux. Il faut remplacer fréquemment le filtre de l'aspirateur.
- Ramasser les feuilles de plastique et les jeter avec la poussière et les autres débris dans des contenants étanches à placer avec les ordures ménagères pour l'enlèvement. Tenir les enfants et les femmes enceintes à l'écart de la zone de travail pendant les travaux de nettoyage.
- Il faut nettoyer à fond les jouets, les meubles et les ustensiles des enfants avant de les utiliser de nouveau.

Moteur

S'assurer que l'intensité nominale du cordon d'alimentation correspond à celle indiquée sur la plaque signalétique; sur cette dernière, la mention «120 V c.a.» signifie que l'outil ne doit être branché que dans une prise résidentielle standard de courant alternatif de 60 Hz et non pas dans une prise de courant continu, alors que «120 V c.a. / c.c.» signifie que l'outil peut fonctionner sur une prise standard de 60 Hz de courant alternatif ou continu. Ces renseignements sont indiqués sur la plaque signalétique. Une tension inférieure à celle indiquée pourrait entraîner une perte de puissance et une surchauffe. Tous les outils Black & Decker sont soumis à des essais en usine; si cet outil ne fonctionne pas, on doit d'abord vérifier l'intensité nominale du cordon d'alimentation.

Information concernant le capuchon du bloc-pile

Un capuchon est fourni avec le bloc-pile en vue d'être utilisé chaque fois qu'on retire ce dernier de l'outil ou du chargeur en vue de le ranger ou de le transporter; enlever le capuchon avant de remettre le bloc-pile dans le chargeur ou dans l'outil.



- ⚠ **AVERTISSEMENT** : S'assurer, au moment de ranger ou de transporter un bloc-pile ou une pile, qu'aucun objet métallique n'entre en contact avec leurs bornes à découvert de celui-ci. Par exemple, il faut éviter de placer un bloc-pile ou une pile sans capuchon dans un tablier, une poche, une boîte à outils ou un tiroir (etc.) contenant des objets tels que des clous, des vis ou des clés, car tout contact entre les bornes à découvert et un objet métallique comme une clé, une pièce de monnaie, un outil à main, etc. pourrait causer un incendie. En effet, les règlements américains Hazardous Material Regulations (HMR) du US Department of Transportation interdisent le transport d'un bloc-pile ou d'une pile dans tout moyen de transport commercial ou aérien (que ce soit dans une valise ou le bagage de cabine) SAUF s'ils sont bien protégés contre les courts-circuits. On doit donc s'assurer, lorsqu'on transporte un bloc-pile ou une pile séparément, de bien protéger et isoler les bornes contre tout matériau qui risque d'entrer en contact avec eux et de causer un court-circuit.

CONSERVER CES DIRECTIVES

⚠ MESURES DE SÉCURITÉ IMPORTANTES

- **CONSERVEZ CES DIRECTIVES.**
- Bien lire toutes les directives et tous les avertissements qui se trouvent sur (1) le chargeur, (2) l'ensemble de piles et (3) l'outil avant d'utiliser le chargeur.
- ⚠ **DANGER** : Les bornes du chargeur sont sous une tension de 120 volts. Ne pas les examiner avec un objet conducteur; cela présente des risques de secousses électriques.
- ⚠ **DANGER** : Ne pas placer dans le chargeur un ensemble de piles craqué ou endommagé; cela présente des risques de secousses électriques.
- ⚠ **MISE EN GARDE** : Ne jamais tenter d'ouvrir un ensemble de piles. Lorsque le boîtier en plastique craque ou se casse, en confier le recyclage à un centre de service.
- ⚠ **AVERTISSEMENT** : Ne laisser aucun liquide s'infiltrer dans le chargeur car cela représente des risques de secousses électriques.
- ⚠ **MISE EN GARDE** : Afin de réduire les risques de blessures, charger seulement des piles rechargeables Black & Decker. Tout autre type de piles peut exploser; ce qui présente des risques de blessures et de dommages.
- Pour faciliter le refroidissement de l'ensemble de piles après s'en être servi, éviter de placer le chargeur ou l'ensemble de piles dans un endroit chaud comme une remise en métal ou une remorque non isolée.
- Protéger le chargeur de la pluie ou de la neige.
- L'utilisation d'un accessoire non recommandé ni vendu par Black & Decker comporte des risques d'incendie, de secousses électriques ou de blessures.
- L'utilisation du chargeur pour tout ensemble de piles autres que les ensembles rechargeables Black & Decker comporte des risques d'incendie et de secousses électriques.
- Pour minimiser les risques de dommages au cordon et à sa fiche, débrancher l'appareil en tirant sur la fiche plutôt que sur le cordon.
- Placer le cordon de sorte qu'on ne puisse pas marcher ni s'accrocher dessus et qu'il ne soit pas autrement sujet aux dommages et aux contraintes.
- Ne pas utiliser de rallonge à moins que cela ne soit absolument nécessaire, car l'usage d'une rallonge ayant une puissance inadéquate pourrait causer des risques d'incendie, de choc électrique ou d'électrocution. Si une rallonge est nécessaire, s'assurer que :
 - les broches de la prise de la rallonge sont de mêmes nombre, taille et forme que celles de la prise du chargeur.
 - la rallonge est correctement câblée et en bonne condition, et que le calibre du fil est suffisant pour l'intensité nominale de courant alternatif du chargeur comme spécifié ci-dessous.

Pour la sécurité de l'utilisateur, utiliser une rallonge du calibre AWG approprié. Plus le calibre est petit, plus la capacité est grande; autrement dit, une rallonge de calibre 16 est plus puissante qu'une rallonge de calibre 18. Lorsqu'on utilise plusieurs rallonges pour obtenir la longueur voulue, s'assurer que chacune d'elles présente les valeurs minimales requises.

CALIBRE AWG	CALIBRE MINIMAL (AWG) RECOMMANDE DES RALLONGES						
	7,6	15,2	22,8	30,4	38,1	45,7	53,3
18	18	16	16	14	14	12	

- La ventilation du chargeur se fait par les fentes sur le dessus et le dessous de l'appareil. Ne rien déposer sur le chargeur et ne pas déposer ce dernier sur une surface qui pourrait en bloquer les orifices car cela risque de provoquer la surchauffe de l'appareil. Éloigner le chargeur des sources de chaleur.
- Ne jamais se servir d'un chargeur dont le cordon ou la fiche sont endommagés. Les remplacer immédiatement.
- Ne jamais se servir d'un chargeur qui a encaissé un coup brusque, qui est tombé ou qui est endommagé. Le faire vérifier à un centre de service autorisé.
- Ne jamais démonter le chargeur. N'en confier la réparation ou l'entretien qu'à un centre de service autorisé. Le remontage non conforme du produit comporte des risques d'incendie ou de secousses électriques.
- Le chargeur est conçu pour fonctionner sur une alimentation domestique standard. Ne pas essayer de s'en servir sous toute autre tension.
- Pour minimiser les risques de secousses électriques, débrancher le chargeur avant de le nettoyer. Le risque n'est pas éliminé en enlevant l'ensemble de piles du chargeur.
- NE JAMAIS raccorder deux chargeurs l'un à l'autre.
- NE PAS ranger le produit dans un endroit où la température peut atteindre ou dépasser 40 °C (105 °F) (comme dans une remise métallique en été).

- Ne pas incinérer les piles, car elles peuvent exploser en présence de flammes. Les cellules peuvent subir une fuite légère par suite d'un usage extrême, du chargement ou d'une exposition à certaines températures; cela n'indique pas un problème. Cependant, si le scellant externe est percé et le liquide entre en contact avec la peau, on doit :
 - a. se laver rapidement la partie du corps touchée avec de l'eau savonneuse;
 - b. neutraliser l'effet au moyen d'un acide doux tel que du jus de citron ou du vinaigre;
 - c. si les yeux sont touchés, les rincer à fond avec de l'eau propre pendant au moins 10 minutes et consulter immédiatement un médecin.**REMARQUE AUX FINS MÉDICALES** : ce liquide contient une solution composée de 25 à 35 % d'hydroxyde de potassium.

CONSERVER CES MESURES

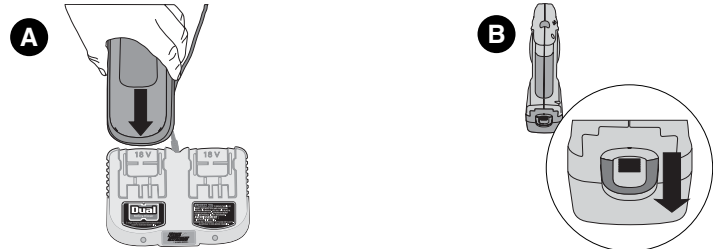
INTRODUCTION

LIRE ET COMPRENDRE TOUTES LES INSTRUCTIONS DE CE MANUEL AVANT DE TENTER DE RECHARGER LE BLOC-PILES DE VOTRE APPAREIL.

Ce Chargeur a été conçu pour fonctionner sur 120 volts de courant alternatif, à une puissance de 60 Hz. Ne pas utiliser sur courant continu (CC) ou tout autre voltage. La durée de charge peut prendre de 3 à 6 heures selon le type de bloc-piles et sa condition.

MÉTHODE DE CHARGEMENT

1. Brancher le chargeur dans la prise appropriée.
2. Insérer 1 ou 2 piles dans le chargeur (Fig. A).



REMARQUE : La durée de charge est la même pour une ou plusieurs piles.

S'assurer que la pile est insérée à fond dans le chargeur. Le voyant rouge de charge s'allumera indiquant qu'il y a contact entre la pile et le chargeur. Le voyant restera allumé tant que la pile sera dans le chargeur et que le chargeur sera branché dans une prise alimentée en courant. **NE** clignotera pas, **NE** s'éteindra pas ou **NE** changera pas de couleur en fin du cycle de charge.

Sortir le bloc-piles du chargeur et le mettre dans l'outil. **REMARQUE** : Pour sortir le bloc-piles de l'outil, enfoncer le bouton de dégagement situé à l'arrière du bloc-piles (figure B) et le retirer.

BLOC-PILES LAISSE DANS LE CHARGEUR

Le chargeur et son bloc-piles peuvent rester connectés avec le voyant rouge allumé indéfiniment. Le chargeur maintiendra la pile pleinement chargée.

REMARQUE : Un bloc-pile perdra graduellement sa charge s'il est laissé hors du chargeur. Si le bloc-pile n'a pas été maintenu en mode de maintenance de charge, il peut être nécessaire de le recharger avant chaque utilisation. Un bloc-pile peut aussi perdre sa charge graduellement s'il est laissé dans un chargeur qui n'est pas branché à une source de courant alternatif appropriée.

NOTES IMPORTANTES RELATIVES AU CHARGEMENT

1. Pour optimiser la durée et le rendement de l'ensemble de piles, il est préférable de le charger à des températures variant entre 18 °C et 24 °C (65 °F et 75 °F). **NE PAS** charger l'ensemble de piles lorsque la température ambiante est inférieure à 4,5 °C (40 °F) ou supérieure à 40,5 °C (105 °F). Cette mesure est importante et aide à prévenir les risques de graves dommages à l'ensemble de piles.
2. Pendant le chargement, l'ensemble de piles et le chargeur peuvent devenir chauds au toucher. Il s'agit d'une situation normale qui ne pose aucun problème.
3. Lorsque l'ensemble de piles n'est pas bien chargé, (1) vérifier l'alimentation de la prise en y branchant une lampe ou un autre appareil, (2) vérifier si la prise est reliée à un interrupteur pour l'éclairage qui met la prise hors circuit lorsqu'on éteint les lumières, (3) déplacer l'ensemble de piles et le chargeur dans une pièce où la température ambiante se situe entre 18 °C et 24 °C (65 °F et 75 °F), (4) si le problème persiste, il faut confier l'outil, l'ensemble de piles et le chargeur au centre de service de la région.
4. Il faut charger l'ensemble de piles lorsqu'il ne fournit plus la puissance nécessaire pour effectuer les tâches avec autant de facilité qu'auparavant. **NE PLUS S'EN SERVIR** dans ces conditions. Suivre les directives relatives au chargement. On peut également charger en tout temps un ensemble de piles chargé en partie.
5. Les ensembles de piles Black & Decker portant la mention «NiMH» devraient seulement être utilisés avec des chargeurs portant la mention «NiMH» ou «NiCd/NiMH».
6. Dans certaines conditions, lorsque le chargeur est branché, des corps étrangers peuvent court-circuiter les contacts de chargement à découvert. Il faut donc éloigner les creux de chargement du chargeur les corps étrangers de nature conductive, comme la laine d'acier, le papier d'aluminium ou tout autre accumulation de particules métalliques. Toujours débrancher le chargeur lorsqu'il n'y a pas d'ensemble de piles dans le chargeur et avant de le nettoyer.
7. Ne pas immerger le chargeur de pile dans l'eau ou tout autre liquide.

Assemblage

⚠ **MISE EN GARDE** : S'assurer avant tout assemblage que la pile a été retirée de l'outil.

Composants (Fig. 1)

1. Interrupteur Marche/Arrêt
2. Bloc-piles
3. Base abrasive orbitale à mouvement aléatoire
4. Grande base abrasive pour travaux de finition
5. Base abrasive allongée

Base abrasive orbitale à mouvement aléatoire

Avec cette base abrasive, il est possible d'utiliser l'outil comme une ponceuse orbitale à mouvement aléatoire.

Installation et retrait de la base abrasive (Fig. 2)

- Installer la base abrasive (3) sur la broche (6).
- Insérer le joint (7) sur la broche.
- Insérer la vis Allen (8) dans le trou à cet effet sur la broche.
- Serrer la vis Allen à l'aide de la clé hexagonale fournie (9).
- Pour retirer la base abrasive, Retirer la vis Allen (8) et le joint (7).

Installation des disques abrasifs

- Maintenir l'outil avec la base abrasive dirigée vers le haut.
- Placer le disque abrasif sur la base abrasive (3). Il n'est pas nécessaire que les trous sur le disque cadrent avec ceux de la base.

Grande base abrasive pour travaux de finition

Avec cette base abrasive, il est possible d'utiliser l'outil comme une ponceuse orbitale à mouvement aléatoire ou pour effectuer des finitions.

Installation et retrait de la base abrasive (Fig. 3)

- Installer la base abrasive (10) sur la broche (6).
- Mettre le joint (7) sur la broche.
- Insérer la vis Allen (8) dans le trou à cet effet sur la broche.
- Serrer la vis Allen à l'aide de la clé hexagonale fournie (9).
- Pour retirer la base abrasive, retirer la vis Allen (8) et le joint (7).

Installation de papier abrasif (Fig. 4)

- Détacher les deux pointes en forme de losange (11) du papier abrasif (12).
- Maintenir l'outil avec la base abrasive dirigée vers le haut.
- Placer le papier abrasif (12) sur la base abrasive en s'assurant que les trous du papier s'alignent bien avec ceux de la base.

Pointes en forme de losange (Fig. 5)

Les pointes en forme de losange (13) peuvent être inversées ou changées lorsqu'elles sont usées.

- Lorsque l'avant de la pointe est usé, détacher cette dernière du papier, l'inverser puis la réappliquer sur la base abrasive.
- Quand l'ensemble de la pointe est usé, la retirer de la base abrasive puis réinsérer une pointe neuve.

Bande étroite (Fig. 6)

La bande étroite est utilisée pour effectuer des travaux de finition minutieux.

- retirer la vis;
- enlever le support de la pointe en forme de losange de la base abrasive;
- fixer la bande étroite sur la base abrasive;
- replacer et serrer la vis.

Fonctionnement

Laisser l'outil fonctionner à son propre rythme. Ne pas le forcer.

Mise en marche et arrêt de l'outil (Fig. 7)

- Pour mettre l'outil en marche, appuyer sur la partie de l'interrupteur Marche/Arrêt (1) marquée d'un « I ».
- Pour l'arrêter, appuyer sur la partie de l'interrupteur Marche/Arrêt (1) marquée d'un « 0 ».

Dépoussiérage

RÉMARQUE : Des adaptateurs de tuyau d'aspirateur sont vendus séparément. Pour trouver le centre de service Black & Decker le plus proche, consulter les pages jaunes sous la rubrique «Outils — électriques» ou composer le **1-800-544-6986 (1-800-54-HOW-TO)**.
⚠ AVERTISSEMENT : La poussière accumulée par le ponçage des enduits de certaines surfaces (polyuréthane, huile de lin, etc.) peut prendre feu et provoquer un incendie. Pour réduire ce risque, se conformer strictement aux directives du manuel et à celles du fabricant.

⚠ AVERTISSEMENT : Lors du travail de surfaces métalliques, ne pas utiliser d'aspirateur car des étincelles seront produites. Toujours porter des lunettes de protection et un masque anti-poussières. Pour éviter tout risque d'incendie, ne pas utiliser la ponceuse sur des surfaces traitées au magnésium. Ne jamais utiliser la ponceuse pour des ponçages humides.

Dépannage

Problème

- L'appareil refuse de démarrer.

Cause possible

- Mauvaise installation de la batterie.
- Pile non chargée.

Solution possible

- Vérifier l'installation de la batterie.
- Vérifier les exigences de charge pour la pile.
- Insérer la pile dans le chargeur de sorte que le voyant DEL rouge apparaisse.
- Brancher le chargeur dans une prise qui fonctionne. Se reporter à la rubrique « Remarques importantes de chargement » pour plus de renseignements.
- Déplacer le chargeur et l'outil à une température ambiante de plus de 4,5 °C (40 °F) ou sous les 40,5 °C (105 °F) 105 degree F (+40,5°C).

- La pile ne se charge pas.
- Pile non insérée dans le chargeur.

- Chargeur non branché.

- Température ambiante trop chaude ou froide.

Pour de l'aide avec l'outil, consulter notre site Web www.blackanddecker.com pour l'emplacement du centre de réparation le plus près ou communiquer avec l'assistance BLACK & DECKER au **1-800-544-6986**.

Entretien / Nettoyage

Nettoyer l'outil seulement au moyen d'un linge humide et d'un savon doux. Certains nettoyants domestiques contiennent des produits chimiques qui peuvent gravement endommager le plastique et tout colloïde. Ne pas utiliser d'essence, de térébenthine, de décapant, de diluant pour peintures, ou d'autres produits de même nature. Ne jamais laisser de liquide s'infiltrer à l'intérieur de l'outil ni immerger ce dernier dans un liquide quelconque.

IMPORTANT: Pour assurer la SÉCURITÉ et la FIABILITÉ de ce produit, toutes les opérations de réparation, d'entretien et de réglage doivent être effectuées dans un centre de service autorisé ou par du personnel qualifié; on ne doit utiliser que des pièces de rechange identiques.



Sceau RBRC^{MC}

Le sceau RBRC^{MC} de la Rechargeable Battery Recycling Corporation apposé sur la pile au nickel-cadmium (ou le bloc-pile) indique que les coûts de recyclage de ce dernier à la fin de sa vie utile ont déjà été payés par Black & Decker. En certains endroits, la mise au rebut ou aux ordures municipales des piles au nickel-cadmium est illégale; le programme de «RBRC» constitue donc une solution des plus pratiques et écologiques.

La «RBRC», en collaboration avec Black & Decker et d'autres utilisateurs de piles, a mis sur pied des programmes aux États-Unis et au Canada dans le but de faciliter la collecte des piles déchargées. Black & Decker encourage ses utilisateurs à participer à son programme de protection de l'environnement et de conservation des ressources naturelles en retournant les piles usagées à un centre de service Black & Decker ou chez un dépositaire local afin qu'elles puissent être recyclées. On peut en outre se renseigner auprès d'un centre de recyclage local pour connaître d'autres sites les acceptant, ou composer le **1 800 8-228-8379** pour obtenir de l'information sur le recyclage de ces piles dans sa région.

Accessoires

Les accessoires recommandés pour cet outil sont vendus séparément chez les dépositaires locaux ou aux centres de service autorisés. Pour obtenir plus d'information sur les accessoires, composer le : **1 800 544-6986 (1-800-54-HOW-TO)**.

⚠ AVERTISSEMENT : L'usage d'un accessoire non recommandé avec cet outil peut présenter un danger.

Remarque à l'intention des entrepreneurs concernant la garantie spéciale

Les produits de marque FIRESTORM^{MC} sont des outils hauts de gamme destinés aux consommateurs et comportent une **GARANTIE POUR USAGE RÉSIDENTIEL**. Ces outils sont conçus, fabriqués et mis à l'essai en vue de répondre aux besoins du bricoleur, ou de les dépasser, lorsque ce dernier réalise des projets ou effectue des réparations à l'intérieur ou à l'extérieur de sa résidence. Utilisés correctement, ces outils procurent à l'utilisateur un rendement et une puissance supérieurs qui excèdent de loin la période de garantie de deux ans. Par contre, tout outil utilisé à des fins commerciales ou tout produit de marque FIRESTORM^{MC} ou tout autre produit Black & Decker destiné aux consommateurs et réservé à un usage résidentiel, utilisé dans le cadre d'une **ACTIVITÉ RELIÉE AU TRAVAIL, N'EST PAS COUVERT PAR LA PRÉSENTE GARANTIE**.

Information sur les services

Black & Decker dispose d'un réseau complet composé de centres de service et de centres autorisés situés partout en Amérique du Nord. Tous les centres de service Black & Decker sont dotés de personnel qualifié en matière d'outillage électrique; ils sont donc en mesure d'offrir à leur clientèle un service efficace et fiable. Pour obtenir un conseil technique ou une pièce d'origine ou pour faire réparer un outil, on peut communiquer avec le centre Black & Decker le plus près. Pour obtenir le numéro de téléphone, consulter les pages jaunes sous la rubrique "Outils - électriques" ou composer le **1 800 544-6986 (1-800-54-HOW-TO)**.

Garantie complète de deux ans pour usage résidentiel

Black & Decker (U.S.) Inc. garantit ce produit pour une période de deux ans contre tout défaut de matériel ou de fabrication. Le produit défectueux sera remplacé ou réparé sans frais, suivant l'une des deux méthodes suivantes.

La première méthode consiste en un échange seulement. On doit retourner le produit au détaillant qui l'a vendu (pourvu qu'il s'agisse d'un détaillant participant), en respectant les délais stipulés dans sa politique relative aux échanges (normalement de 30 à 90 jours après la vente). Une preuve d'achat peut être requise. On doit vérifier la politique de retour du détaillant pour tout produit retourné après le délai prescrit pour les échanges.

La deuxième méthode consiste à apporter ou à envoyer le produit (prépayé) à un centre Black & Decker ou à un centre de service autorisé aux fins de réparation ou de remplacement, selon notre choix. Une preuve d'achat peut être requise. Les centres Black & Decker et les centres de service autorisés sont répertoriés dans les pages jaunes sous la rubrique «Outils - électriques».

Cette garantie ne s'applique pas aux accessoires. Elle confère des droits légaux particuliers à l'acheteur, mais celui-ci pourrait aussi bénéficier d'autres droits variant d'un territoire à l'autre. Toute question doit être adressée au gérant du centre Black & Decker le plus près.

Ce produit n'est pas destiné à un usage commercial.

REPLACEMENT GRATUIT DE L'ÉTIQUETTE D'AVERTISSEMENT : En cas de perte ou d'endommagement des étiquettes d'avertissement, composer le **1 800 544-6986** afin d'en obtenir de nouvelles sans frais.

Imported by / Importé par
Black & Decker Canada Inc.
100 Central Ave.
Brockville (Ontario) K6V 5W6

Voir la rubrique "Outils électriques"
des Pages Jaunes
pour le service et les ventes.



¡GRACIAS POR ELEGIR BLACK & DECKER!
VAYA A WWW.BLACKANDDECKER.COM/NEWOWNER
PARA REGISTRAR SU NUEVO PRODUCTO.

ANTES DE DEVOLVER ESTE PRODUCTO POR
CUALQUIER MOTIVO, LLAME AL (55) 5326-7100

INFORMACIÓN CLAVE QUE DEBE CONOCER:

- Nunca opere la lijadora sin tener el papel de lija adecuado debidamente instalado en su base.
- No presione — deje que la lijadora haga el trabajo.
- No se recomienda el lijado prolongado de muro seco.

⚠ Instrucciones de seguridad generales

⚠ ADVERTENCIA: Lea todas las instrucciones hasta comprenderlas. No ajustarse a las instrucciones siguientes puede ser causa de choque eléctrico, incendio o lesiones graves.

GUARDE ESTE MANUAL PARA FUTURAS CONSULTAS

Área de trabajo

- **Mantenga el área de trabajo limpia y bien iluminada.** Las bancadas desordenadas y las zonas oscuras propician los accidentes.
- **No opere herramientas eléctricas en atmósferas explosivas, como en presencia de líquidos, gases o polvos inflamables.** Las herramientas eléctricas producen chispas que pueden originar la ignición del polvo o los vapores.
- **Mientras opere una herramienta eléctrica, mantenga lejos a los observadores, niños y visitantes.** Las distracciones pueden ocasionar que pierda el control.

Seguridad eléctrica

- **No maltrate el cable. Nunca lleve la herramienta por el cable. Mantenga el cable alejado de las fuentes de calor, el aceite, las orillas afiladas o las piezas en movimiento. Cambie inmediatamente los cables dañados.** Los cables dañados pueden provocar un incendio..
- **Una herramienta que funciona con baterías integradas o con una unidad de alimentación independiente sólo debe recargarse con el cargador especificado para la batería.** Un cargador puede ser adecuado para un tipo de batería y, sin embargo, crear riesgo de incendio cuando se usa con otro.
- **Las herramientas que operan con baterías se deben utilizar sólo con la unidad de alimentación específicamente señalada.** La utilización de otras baterías puede comportar riesgo de incendio.

Seguridad personal

- **Al utilizar una herramienta eléctrica, esté atento, concéntrese en lo que hace y aplique el sentido común. No utilice la herramienta si se encuentra fatigado o bajo la influencia de drogas, alcohol o fármacos.** Mientras se utilizan herramientas eléctricas, basta un instante de distracción para sufrir lesiones graves.
- **Lleve ropa adecuada. No utilice ropa suelta ni joyas. Recójase el cabello largo. Mantenga el cabello, la ropa y los guantes apartados de las piezas en movimiento.** Las partes móviles pueden atrapar las prendas de vestir sueltas, las joyas y el cabello. Los orificios de ventilación suelen cubrir piezas en movimiento, por lo que también se deben evitar.
- **Evite puestas en marcha accidentales. Asegúrese de que el interruptor esté apagado antes de enchufar la máquina.** Transportar las herramientas con el dedo sobre el interruptor o enchufarlas con el interruptor encendido favorece los accidentes.
- **Antes de poner en marcha la herramienta, retire las llaves de ajuste.** Una llave que se deje en una pieza giratoria de la herramienta puede provocar lesiones.
- **No ponga en peligro su estabilidad. Manténgase siempre bien apoyado y equilibrado.** Un buen apoyo y equilibrio permiten controlar mejor la herramienta si se produce algún imprevisto.
- **Utilice el equipo de seguridad. Lleve siempre lentes protectores.** Cuando sea adecuado, también se debe usar mascarilla antipolvo, zapatos de suela antideslizante, casco o protectores auditivos.

Uso y cuidados de la herramienta

- **Utilice abrazaderas u otro elemento adecuado para sujetar y apoyar la pieza de trabajo en una plataforma estable.** Sujetar la pieza con la mano o contra el cuerpo es inestable y facilita la pérdida de control.
- **No fuerce la herramienta. Emplee la herramienta correcta para cada aplicación.** La herramienta correcta hace el trabajo mejor y más seguro dentro del rango para el que ha sido diseñada.
- **No utilice la herramienta si el interruptor no la enciende y apaga.** Cualquier herramienta que no pueda controlarse con el interruptor es peligrosa y se debe reparar.
- **Desconecte la unidad de alimentación de la herramienta o ponga el conmutador en posición de bloqueo o de apagado antes de realizar cualquier ajuste, cambiar accesorios o guardar la herramienta.** Estas medidas de seguridad preventiva reducen el riesgo de poner en marcha la herramienta accidentalmente.
- **Cuando no las utilice, guarde las herramientas fuera del alcance de los niños o de cualquier persona no capacitada.** Las herramientas son peligrosas en manos de usuarios no capacitados.
- **Cuando la unidad de alimentación no esté en uso, manténgala alejada de otros objetos metálicos tales como: sujetapapeles, monedas, llaves, clavos, tornillos u otros objetos metálicos pequeños que podrían generar una conexión entre sus terminales.** Provocar un cortocircuito entre los terminales de la batería puede causar chispas, quemaduras o incendios.
- **Cuide las herramientas. Conserve las herramientas de corte afiladas y limpias.** Unas herramientas adecuadamente cuidadas y con los bordes de corte afilados se atascan menos y son más fáciles de controlar.
- **Compruebe si las piezas móviles se desalinean o atascan, si hay alguna pieza rota o cualquier otra circunstancia que pueda afectar la operación de la herramienta. Si la herramienta está dañada, hágala reparar antes de usarla.** Muchos accidentes los provocan unas herramientas mal cuidadas.
- **Utilice únicamente los accesorios recomendados por el fabricante para su modelo.** Un mismo accesorio puede ser adecuado para una herramienta, pero peligroso si se usa en otra.

Servicio

- **El servicio a la herramienta sólo deber ser realizado por personal de reparación calificado.** Si el servicio o mantenimiento es realizado por personal no calificado, podría resultar en riesgo de lesión.
- **Cuando se repare una herramienta, sólo se deben usar repuestos originales. Siga las instrucciones en la sección de mantenimiento de este manual.** El uso de repuestos no autorizados o el incumplimiento de las instrucciones de mantenimiento pueden crear un riesgo de descarga eléctrica o lesión.

⚠ Normas específicas de seguridad

- **Sostenga la herramienta por las superficies aisladas al usarla cuando una herramienta de cortar pueda entrar en contacto con cables ocultos o su propio cable.** El contacto con un cable vivo hará que las partes expuestas de metal se convierta en vivo y habrá una descarga eléctrica al operador.
 - **Cuando trabaje desde una escalera o andamio, asegúrese de echar la herramienta sobre un costado cuando no esté en uso.** Algunas herramientas con unidades de alimentación grandes pueden ser colocadas en posición vertical pero pueden ser fácilmente botadas.
 - **ADVERTENCIA: Parte del polvo generado al lijar, serrar, esmerilar y taladrar, así como al realizar otras actividades del sector de la construcción, contienen productos químicos que pueden producir cáncer, defectos congénitos u otras afecciones reproductivas. Ejemplos de esas substancias químicas son:**
 - plomo procedente de pinturas a base de plomo,
 - óxido de silicio cristalino procedente de ladrillos, cemento y otros productos de mampostería, y
 - arsénico y cromo procedentes de madera tratada químicamente (CCA).
- El peligro derivado de estas exposiciones que usted enfrente varía en función de la frecuencia con que se realice este tipo de trabajo. Para reducir la exposición a esas sustancias

químicas: trabaje en una zona bien ventilada y llevando equipos de seguridad aprobados, como mascarillas antipolvo especialmente diseñadas para filtrar partículas microscópicas.

• **Evite el contacto prolongado con el polvo procedente del lijado, serrado, esmerilado y taladrado eléctricos, así como de otras actividades del sector de la construcción. Lleve ropa protectora y lave con agua y jabón las zonas expuestas.** Si permite que el polvo se introduzca en la boca u ojos o quede sobre la piel, puede favorecer la absorción de productos químicos peligrosos.

⚠ **ADVERTENCIA: El uso de esta herramienta puede generar o dispersar polvo lo cual puede causar lesiones respiratorias serias y permanentes y otros tipos de lesión.** Siempre use protección respiratoria aprobada por NIOSH/OSHA para la exposición al polvo. Dirija las partículas en dirección opuesta a su cara y cuerpo.

⚠ **PRECAUCIÓN: Utilice una protección auditiva apropiada durante el uso.** En determinadas condiciones y con utilizaciones prolongadas, el ruido generado por este producto puede favorecer la pérdida de audición.

La etiqueta de su herramienta puede incluir los siguientes símbolos.

V	volts	A.....	amperes
Hz	hertz	W	watts
min	minutos	~	corriente alterna
— — —	corriente directa	n _o	velocidadsin carga
☐	construcción clase II	⊕	terminales de conexión a tierra
⚠	símbolo de alerta seguridad	.../min	revoluciones o reciprocaciones por minuto

⚠ Advertencias e instrucciones de seguridad: Lijadoras

• **UTILICE SIEMPRE PROTECCION PARA LOS OJOS.**

• Limpie su herramienta periódicamente.

⚠ Otras advertencias e instrucciones de seguridad importantes

Lijado

Pinturas con base de plomo

El lijado de pinturas con base de plomo **NO SE RECOMIENDA** debido a la dificultad de control del polvo contaminado. El envenenamiento por plomo es más peligroso para niños y mujeres embarazadas.

Ya que es difícil identificar si una pintura contiene plomo o no, sin antes hacer un análisis químico, le recomendamos que se tomen las siguientes precauciones cuando lije cualquier pintura:

Seguridad personal

- No permita que entren al área de trabajo niños ni mujeres embarazadas cuando lije pintura hasta que haya terminado de asear el lugar.
- Se recomienda el uso de máscaras o respiradores para todas las personas que entren al área de trabajo. El filtro se debe reemplazar diariamente o cuando el usuario tenga dificultad para respirar.
- **NOTA:** Sólo deben utilizarse mascarás adecuadas para trabajo con polvo y vapores de pintura. Las mascarás ordinarias para pintura no ofrecen esta protección. Vea a su distribuidor de herramienta local para conseguir la máscara adecuada.
- **NO COMA, BEBA O FUME** en la zona de trabajo para evitar ingerir partículas de pintura contaminadas. Los usuarios deberán lavarse y limpiarse **ANTES** de comer, beber o fumar. No deben dejarse artículos para comer beber o fumar en el área de trabajo donde el polvo se asentaría en ellos.

Seguridad ambiental

- La pintura debe removerse de tal manera que se minimice la cantidad generada de polvo.
- Se deben sellar las áreas en que se remueve pintura con láminas de plástico de 4 mils. de espesor.
- El lijado debe hacerse en tal forma que se reduzca el desalojo de pintura fuera de la zona de trabajo.

Limpieza y desecho

- Todas las superficies en el área de trabajo deben ser aspiradas y limpiadas a conciencia diariamente el tiempo que dure el proyecto de lijado. Las bolsas filtro de las aspiradoras deben cambiarse frecuentemente.
- Las láminas de plástico deben recogerse y desecharse con cualquier resto de pintura. Deben depositarse en receptáculos sellados y deben desecharse a través de los procedimientos de recolección de basura normales. Durante la limpieza, niños y mujeres embarazadas deben permanecer alejados de la zona de trabajo inmediata.
- Todo tipo de juguetes, mobiliario lavable y utensilios usados por niños deben lavarse a conciencia antes de volver a utilizarse.

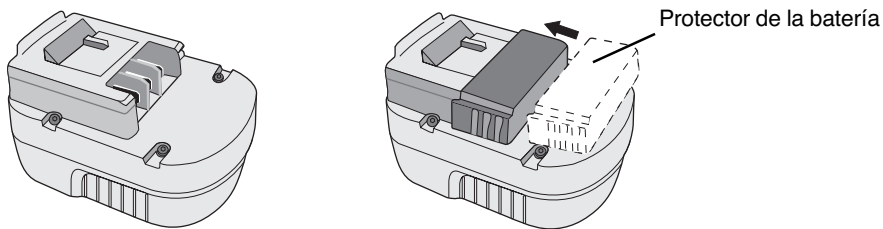
Motor

Asegúrese de que su alimentación eléctrica sea la requerida en la placa nominal. 120 voltios de corriente alterna sólo significa que su herramienta operará con la potencia doméstica estándar de 60 Hz. No opere herramientas de corriente alterna en corriente directa. Una especificación de 120 voltios AC/DC significa que su herramienta operará en 60 Hz estándar de potencia en corriente alterna o corriente directa. Esta información está impresa en la placa nominal. Un voltaje menor causará pérdida de potencia y puede resultar en sobrecalentamiento. Todas las herramientas Black & Decker han sido probadas en la fábrica; si esta herramienta no funciona, revise la alimentación eléctrica.

Información acerca del protector de la batería

Se han incluido protectores para el almacenaje y transporte de la batería. Estos deben ser usados cuando la batería no esté conectada a la herramienta ni en el cargador. Recuerde quitar el protector antes de poner la batería en el cargador o conectarla a la herramienta.

⚠ **ADVERTENCIA:** No guarde ni lleve baterías, unidades de alimentación o pilas en un lugar donde sus terminales pudieran entrar en contacto con algún objeto metálico. Por ejemplo, no ponga baterías, unidades de alimentación o pilas dentro de un delantal o bolsillo, una caja de herramientas o de almacenamiento del producto, un cajón, etc., junto con clavos sueltos, tornillos, llaves, etc. si no están debidamente protegidas. El transporte de baterías, unidades de alimentación o pilas puede causar un incendio si sus terminales entran en contacto sin querer con materiales conductores como llaves, monedas, herramientas de mano y otros por el estilo. De hecho, el reglamento sobre materiales peligrosos (HMR) del Ministerio de Transporte de los Estados Unidos prohíbe el transporte de baterías, unidades de alimentación o pilas en cualquier tipo de transporte terrestre o aéreo (es decir, embaladas en maletas y maletines de mano) **A NO SER** que estén debidamente protegidas de hacer cortocircuito. Por lo tanto, cuando transporte baterías, unidades de alimentación o pilas individuales, asegúrese que sus terminales estén protegidos y debidamente aislados de materiales que pudieran entrar en contacto con ellos y causar un cortocircuito.



CONSERVE ESTAS INSTRUCCIONES

⚠ INSTRUCCIONES IMPORTANTES DE SEGURIDAD

• **GUARDE ESTAS INSTRUCCIONES.**

• Antes de emplear el cargador, lea todas las instrucciones y las marcas precautorias en (1) el cargador, (2) la batería y (3) el producto que utiliza la batería.

⚠ **PELIGRO:** Corriente de 120 volts presente en las terminales de carga. No las una con objetos conductores. Peligro de choque eléctrico o electrocución.

⚠ **PELIGRO:** Si la caja de la batería está estrellada o dañada, no la inserte en el cargador. Peligro de choque eléctrico o electrocución.

⚠ **PELIGRO:** Nunca intente abrir la batería por ningún motivo. Si la carcasa de plástico se rompe o se estrella, llévela a un centro de servicio para que la reciclen.

⚠ **ADVERTENCIA:** No permita que se introduzca ningún líquido en el cargador. Puede originarse un choque eléctrico.

⚠ **PRECAUCION:** Cargue únicamente baterías recargables Black & Decker para evitar el

riesgo de lesiones. Baterías de otros tipos pueden estallar, ocasionando lesiones personales y daños.

- Para facilitar el enfriamiento de la batería después de utilizarla, evite colocar el cargador o la batería en ambientes cálidos, como los de un cobertizo de lámina o un remolque sin aislamiento.
- No esponga el cargador a la lluvia o a la nieve.
- Estos cargadores no están diseñados para usos diferentes a la carga de las baterías recargables Black & Decker. Cualquier otro uso puede originar riesgos de incendio, choque eléctrico o electrocución.
- Para reducir los riesgos de daño a la clavija y el cordón eléctrico, cuando desconecte el cargador tire de la clavija, no del cordón.
- Asegúrese de que el cordón eléctrico esté colocado de tal manera que no lo pisen, enreden o le hagan alguna otra cosa que lo tense y le cause daño.
- Trate de no usar cordones de extensión a menos que sea absolutamente necesario. El uso de una extensión inadecuada puede ocasionar incendios, descargas eléctricas o electrocución. Si es necesario utilizar la extensión, asegúrese:
- Que las patas de la clavija de la extensión sean iguales en número, tamaño y forma a los de la clavija del cargador.
- Que los cables de la extensión estén en buenas condiciones eléctricas y que el calibre sea suficiente para soportar la corriente que el cargador necesita, como se describe a continuación.

Una extensión debe contar con alambre de calibre adecuado (AWG o American Wire Gauge) por seguridad. Mientras más pequeño sea el número del calibre del alambre, mayor será la capacidad del cable; por ejemplo, una cable de calibre 16 tiene mayor capacidad que otro de calibre 18. Cuando emplee más de una extensión para alcanzar la longitud total, asegúrese que cada extensión individual tenga por lo menos el calibre mínimo requerido.

CALIBRE AWG MINIMO RECOMENDADO PARA LOS CORDONES DE EXTENSION LONGITUD TOTAL DEL CABLE DE EXTENSION (METROS)

	7,6	15,2	22,8	30,4	38,1	45,7	53,3
--	-----	------	------	------	------	------	------

CALIBRE DEL ALAMBRE

- | | | | | | | | |
|--|----|----|----|----|----|----|----|
| | 18 | 18 | 16 | 16 | 14 | 14 | 12 |
|--|----|----|----|----|----|----|----|
- El cargador se ventila a través de las ranuras de la cubierta. No coloque ningún objeto sobre el cargador o coloque éste en una superficie suave que pueda bloquear las ranuras de ventilación y ocasionen calor interno excesivo. Coloque el cargador en un lugar alejado de cualquier fuente de calor.
 - No opere el cargador con el cordón o la clavija dañados — hágalos cambiar de inmediato.
 - No utilice el cargador si ha recibido algún golpe, se ha caído o ha recibido algún otro daño, llévelo a un Centro de Servicio autorizado.
 - No desarme el cargador, llévelo a un centro de servicio autorizado cuando requiera ser reparado. Ensamblarlo de modo incorrecto puede ocasionar descargas eléctricas, electrocución o incendios.
 - El cargador está diseñado para funcionar con corriente doméstica estándar. No intente usarlo con otro voltaje
 - Desconecte el cargador antes de intentar limpiarlo para reducir el riesgo de descargas eléctricas. Retirar la batería no reducirá este riesgo.
 - **NUNCA** intente conectar 2 cargadores juntos.
 - **NO** guarde ni utilice la herramienta o la batería en lugares en los que la temperatura pueda alcanzar o exceder los 40°C (105°F) (tales como cobertizos o construcciones de metal en el verano).
 - **NO** incinerar las baterías. Pueden explotar en un incendio. Las celdas de la batería pueden tener fugas pequeñas de líquido cuando han sido usadas o cargadas durante períodos demasiado largos, o bajo ciertas condiciones de temperatura. Esto no indica una falla. Sin embargo, si el sello externo ha sido roto y su piel entra en contacto con el líquido:
 - a. Lave rápidamente con jabón y agua.
 - b. Neutralice con un ácido suave como jugo de limón o vinagre.
 - c. Si el líquido de la batería le entra a los ojos, lávelos con agua limpia por al menos 10 minutos y hágase ver por un médico de inmediato. **NOTA MEDICA:** El líquido es una solución de 25-35% de hidróxido de potasio.

CONSERVE ESTAS INSTRUCCIONES

INTRODUCCIÓN

LEA Y COMPRENDA TODAS LAS INSTRUCCIONES DE ESTE MANUAL ANTES DE INTENTAR CARGAR LA UNIDAD DE ALIMENTACIÓN DE SU HERRAMIENTA.

Su cargador fue diseñado para utilizar corriente alterna estándar de 120 voltios y 60 Hz. No utilice corriente directa ni cualquier otro voltaje. El tiempo de carga es entre 3 y 6 horas, dependiendo del tipo y las condiciones de la unidad de alimentación.

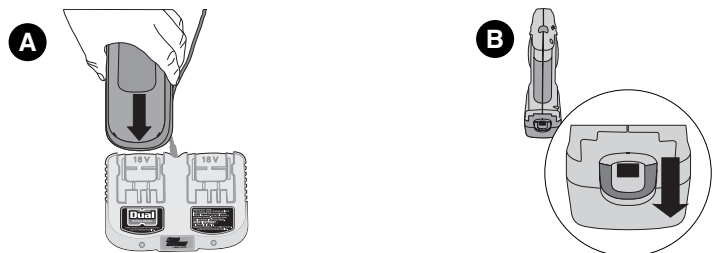
PROCEDIMIENTO DE CARGA

1. Enchufe el cargador en una toma de corriente apropiada.

2. Inserte 1 ó 2 baterías en el cargador (Figura A).

NOTA: El tiempo de carga es el mismo para cargar baterías múltiples. Asegúrese que la batería esté bien puesta en el cargador. La luz roja del "Indicador de carga" se encenderá para indicar que se ha hecho contacto entre la batería y el cargador. La luz se mantendrá encendida mientras la batería de corriente activa. **NO** destellará, ni se apagará o cambiará de color cuando el ciclo de carga se haya completado.

Retire la batería del cargador y colóquela en la herramienta. **NOTA:** Para retirar la batería de la herramienta, oprima el botón de desbloqueo en la parte posterior de la batería (Figura B) y tirela hacia afuera.



PERMANENCIA DE LA UNIDAD DE ALIMENTACIÓN EN EL CARGADOR

El cargador y la unidad de alimentación pueden dejarse conectados con la luz roja encendida indefinidamente. El cargador mantendrá la unidad de alimentación fresca y completamente cargada.

NOTA: La unidad de alimentación perderá su carga lentamente si se retira del cargador. Si no se ha dejado la unidad de alimentación en carga de mantenimiento, puede que sea necesario recargarla antes de usarla nuevamente. La unidad de alimentación también puede perder lentamente su carga si se deja en un cargador que no está enchufado en una toma de corriente alterna adecuada.

NOTAS IMPORTANTES SOBRE LA CARGA

1. Se puede obtener mejor rendimiento y más larga vida si la batería se carga cuando la temperatura oscila entre 18° y 24°C (65°F - 75°). **NO** cargue la batería cuando la temperatura sea inferior a +4.5°C (+40°F), o superior a +40.5°C (+105°F). Esto es muy importante y le evitará serios daños a la batería.
2. El cargador y la batería pueden sentirse calientes al tacto durante la carga. Esto es una condición normal y no indica ningún problema.
3. Si la batería no carga apropiadamente — (1) Verifique la corriente en la toma conectando una lámpara u otro aparato eléctrico, (2) Verifique si la toma está conectada a un interruptor que corte la corriente cuando apaga las luces. (3) Lleve el cargador con la batería a un lugar en donde la temperatura del aire que los rodee esté entre 18° y 24°C (65°F - 75°F). (4) Si persisten los problemas de carga, lleve o envíe la herramienta, la batería y el cargador a su centro de servicio local.
4. La batería debe recargarse cuando deja de producir suficiente potencia en trabajos que se hicieron fácilmente con anterioridad. **NO CONTINUE** usándola en estas condiciones. Siga los procedimientos de carga. Usted puede cargar una batería parcialmente usada cuando lo desee sin que ésta sufra efectos adversos.
5. Las baterías Black & Decker que estén etiquetadas "NiMH" deberán utilizarse únicamente con cargadores que estén etiquetados como "NiMH" o "NiCd/NiMH".
6. Bajo ciertas condiciones, con el cargador conectado a la toma de corriente, los contactos de carga expuesto dentro del cargador pueden hacer contacto entre sí debido a algún material externo. Los materiales externos de naturaleza conductora tales como alambre de acero, papel aluminio o cualquier tipo de partícula metálica deben conservarse alejados de las cavidades del cargador. Desconecte siempre el cargador de la toma de corriente cuando no tenga cargando una batería. También desconéctelo antes de intentar limpiarlo.
7. No sumerja el cargador en agua u otro líquido.

Ensamblaje

⚠ **PRECAUCIÓN:** Antes de ensamblar la herramienta, asegúrese que la batería haya sido desconectada.

Reseña general (Fig. 1)

1. Conmutador de encendido/apagado
2. Unidad de alimentación
3. Base de lijado excéntrico
4. Base grande de lijado al detalle
5. Base de lijado para el accesorio tipo dedo

Base de lijado excéntrico

Con esta base de lijado, la herramienta puede ser utilizada como una lijadora excéntrica.

Instalación y desinstalación de la base de lijado (Fig. 2)

- Coloque la base de lijado (3) sobre el eje (6).
- Coloque la arandela (7) sobre el eje.
- Inserte el tornillo allen (8) en el orificio para del eje.
- Ajuste el tornillo allen con la llave hexagonal (9) incluida.
- Para retirar la base de lijado, retire el tornillo allen (8) y la arandela (7).

Instalación de los discos de lijado

- Sostenga la herramienta con la base de lijado mirando hacia arriba.
- Coloque el disco de lijado sobre la base de lijado (3). Los orificios del disco no necesitan quedar alineados con los orificios de la base.

Base grande de lijado al detalle

Con esta base de lijado, puede utilizar la herramienta como lijadora al detalle o lijadora orbital.

Instalación y desinstalación de la base de lijado (Fig. 3)

- Coloque la base de lijado (10) sobre el eje (6).
- Coloque la arandela (7) sobre el eje.
- Inserte el tornillo allen (8) en el orificio para del eje.
- Ajuste el tornillo allen con la llave hexagonal (9) incluida.
- Para retirar la base de lijado, retire el tornillo allen (8) y la arandela (7).

Instalación de las hojas de papel lija (Fig. 4)

- Separe las dos puntas con forma de diamante (11) de la hoja de papel lija (12).
- Sostenga la herramienta con la base de lijado mirando hacia arriba.
- Coloque la hoja de papel lija (12) sobre la base de lijado asegurándose que los orificios de la hoja queden alineados con los orificios de la base.

Puntas con forma de diamante (Fig. 5)

- Las puntas con forma de diamante (13) pueden darse vuelta y cambiarse una vez desgastadas.
- Cuando la parte delantera de la punta esté desgastada, sepárela de la hoja, déla vuelta y presiónela sobre la base de lijado otra vez.
- Cuando la punta entera se haya desgastado, retírela de la base de lijado y cámbiela por una punta nueva.

Accesorio tipo dedo (Fig. 6)

El accesorio tipo dedo se utiliza para un lijado fino de mucho detalle.

- Quite el tornillo.
- Quite el sujetador de punta adiamantada de la base para lijar.
- Monte el accesorio tipo dedo a la base.
- Encaje bien y apriete el tornillo.

Funcionamiento

Deje que la herramienta funcione a su propia velocidad. No sobrecargue.

Encendido y apagado (Fig. 7)

- Para encender la herramienta, presione la parte del conmutador de encendido y apagado (1) marcado con una "I".
- Para apagar la herramienta, presione la parte del conmutador de encendido y apagado (1) marcado con una "O".

Colección de polvo

Nota: Puede comprar un accesorio para la aspiradora como repuesto. Para encontrar el Centro de Servicio Black & Decker más cercano, busque en las páginas amarillas bajo "Herramientas eléctricas" o llame al: **1-800-544-6986 (1-800-54-HOW-TO)**.

⚠ **ADVERTENCIA:** El polvo colectado del lijado y de revestimientos en las superficies lijadas (poliuretano, aceite de linaza, etc.) puede auto-encenderse y causar incendios. Para reducir este riesgo, adhírase estrictamente al manual de lijado y a las instrucciones del fabricante del revestimiento.

⚠ **ADVERTENCIA:** Cuando trabaje sobre superficies metálicas, no utilice una aspiradora porque se generan chispas. Utilice gafas de seguridad y una máscara antipolvo. No utilice su lijadora para lijar superficies de magnesio ya que existe el riesgo de incendios. No utilice para el lijado con agua.

Detección de problemas

Problema	Causa posible	Solución posible
• La unidad no enciende.	• La batería no está bien instalada.	• Verifique la instalación de la batería.
	• La batería no carga.	• Verifique los requisitos de carga de la batería.
• La batería no carga.	• La batería no está insertada en el cargador.	• Inserte la batería en el cargador hasta que se encienda la luz roja (LED).
	• El cargador no está enchufado.	• Enchufe el cargador en un tomacorriente que funcione. Para conocer más detalles, consulte "Notas importantes sobre la carga".
	• Temperatura ambiental demasiado caliente o demasiado fría.	• Mueva el cargador y la herramienta a un ambiente con una temperatura superior a 4,5 °C (40 °F) o inferior a 40,5 °C (105 °F).

Para conocer la ubicación del centro de mantenimiento más cercano a fin de recibir ayuda con su producto, visite nuestro sitio Web www.blackanddecker.com o llame a la línea de ayuda BLACK & DECKER al (55)5326-7100.

Mantenimiento / Limpieza

Para limpiar la herramienta, sólo utilice un paño húmedo y jabón suave. Muchos limpiadores domésticos contienen químicos que podrían dañar seriamente los componentes plásticos y de gel. Tampoco utilice gasolina, trementina, laca o diluyente de pintura o productos similares. Jamás permita que le entre líquido a la herramienta; nunca sumerja ninguna parte de la herramienta.

IMPORTANTE: Para garantizar la SEGURIDAD y la FIABILIDAD del producto, toda reparación, mantenimiento y ajuste, deberán ser realizados en los centros autorizados de servicio u otras organizaciones de servicio calificadas, utilizando siempre para ello accesorios originales.

El sello RBRC™

El sello RBRC™ (Rechargeable Battery Recycling Corporation o Corporación de Reciclaje de Baterías Recargables) en la batería (o unidad de alimentación) de níquel-cadmio indica que los costos de reciclaje de la batería (o unidad de alimentación), una vez que llegue al final de su vida útil, ya han sido pagados por Black & Decker. En algunas áreas es ilegal botar baterías de níquel-cadmio gastadas en la basura o corriente de residuos sólidos urbanos, y el programa RBRC ofrece una alternativa ecológica. RBRC, en colaboración con Black & Decker y otros usuarios de baterías, ha establecido programas en los EE.UU. y Canadá para facilitar la colección de baterías de níquel-cadmio gastadas.

Ayude a proteger nuestro medio ambiente y a conservar los recursos naturales devolviendo la batería de níquel-cadmio gastada a un centro de servicio Black & Decker autorizado o a su distribuidor local para que sea reciclada. También puede contactar a su centro local de reciclaje para mayor información sobre dónde ir a dejar la batería gastada, o llame al **1-800-8-BATTERY**.

Accesorios

Los accesorios que se recomiendan usar con su herramienta están disponibles donde su distribuidor o centro de servicio local. De necesitar asistencia para obtener un accesorio, favor llamar al: **1-800-544-6986 (1-800-54-HOW-TO)**

⚠ **ADVERTENCIA:** Puede ser peligroso usar cualquier accesorio no recomendado.

Nota especial de GARANTÍA para Contratistas:

Los productos de marca FIRESTORM™ se ofrecen como herramientas de calidad superior para uso doméstico y llevan una GARANTÍA PARA USO DOMÉSTICO. Estas herramientas son diseñadas, fabricadas y probadas para satisfacer o sobrepasar las necesidades del bricolero en la ejecución de proyectos y reparaciones en su casa y sus alrededores. El uso apropiado de esta herramienta le dará al dueño de casa una potencia y un desempeño superiores que durarán mucho más que la garantía de dos años. Sin embargo, si utiliza herramientas para su trabajo y usa productos de marca FIRESTORM™ o cualquiera de las herramientas para uso doméstico Black & Decker EN SU LUGAR DE TRABAJO, debería saber que NO PODRÁ SER CUBIERTO BAJO NUESTRA GARANTÍA.

Información de servicio

Black & Decker ofrece una red completa de centros de servicio y centros autorizados en toda Norteamérica. Todos los centros de servicio Black & Decker disponen de personal entrenado para dar un servicio eficiente y confiable a las herramientas eléctricas de sus clientes. De necesitar orientación técnica, reparación o repuestos originales de fábrica, diríjase al centro Black & Decker local. Para hallar la ubicación del centro de servicio más cercano, busque en las páginas amarillas de la guía telefónica bajo "Herramientas—Eléctricas" o llame a: **1-800-544-6986 (1-800-54-HOW-TO)**.

Garantía completa de dos años para uso doméstico

Black & Decker (U.S.) Inc. garantiza este producto por dos años contra cualquier defecto en su material o fabricación. Existen dos opciones para reemplazar o reparar el producto defectuoso, sin costo.

La primera, la cual resultará sólo en un cambio, es devolver el producto al vendedor del cual fue comprado (siempre que sea un local participante). Las devoluciones deberán realizarse durante el plazo especificado en la política de devoluciones del vendedor (generalmente entre 30 y 90 días después de la fecha de compra). Puede que sea necesario presentar prueba de compra. Por favor averigüe cuál es la política del vendedor para devoluciones efectuadas más allá del plazo para cambios.

La segunda opción es llevar o enviar el producto (con franqueo pagado) a un Centro de Servicio autorizado o al Centro de Servicio Black & Decker para su reparación o reemplazo, a decisión nuestra. Puede que sea necesario presentar prueba de compra. Los Centros de Servicio autorizados y Centros de Servicio Black & Decker se encuentran en las páginas amarillas bajo "Herramientas eléctricas".

Esta garantía no aplica a los accesorios. Esta garantía le da derechos legales específicos además de los cuales puede tener otros, los cuales varían entre estados. Si tuviese alguna pregunta, contacte al gerente de su Centro de Servicio Black & Decker más cercano. Este producto no es para uso comercial.

SUSTITUCIÓN GRATUITA DE LAS ETIQUETAS DE ADVERTENCIA: Si sus etiquetas de advertencia se vuelven ilegibles o se pierden, llame al **1-800-544-6986** para conseguir repuestos gratuitos.

Para reparación y servicio de sus herramientas eléctricas, favor de dirigirse al Centro de Servicio más cercano:

CULIACAN, SIN

Av. Nicolás Bravo #1063 Sur
(667) 7 12 42 11
Col. Industrial Bravo

GUADALAJARA, JAL

Av. La Paz #1779
(33) 3825 6978
Col. Americana Sector Juarez

MEXICO, D.F.

Eje Central Lázaro Cardenas
No. 18
(55) 5588 9377
Local D, Col. Obrera

MERIDA, YUC

Calle 63 #459-A
(999) 928 5038
Col. Centro

MONTERREY, N.L.

Av. Francisco I. Madero
No.831
(81) 8375 2313
Col. Centro

PUEBLA, PUE

17 Norte #205
(222) 246 3714
Col. Centro

QUERETARO, QRO

Av. Madero 139 Pte.
(442) 214 1660
Col. Centro

SAN LUIS POTOSI, SLP

Av. Universidad 1525
(444) 814 2383
Col. San Luis

TORREON, COAH

Blvd. Independencia, 96 Pte.
(871) 716 5265
Col. Centro

VERACRUZ, VER

Prolongación Díaz Mirón #4280
(229)921 7016
Col. Remes

VILLAHERMOSA, TAB

Constitución 516-A
(993) 312 5111
Col. Centro

PARA OTRAS LOCALIDADES LLAME AL: (55) 5326 7100

Especificaciones

Cargador: 120 V AC, 60Hz, 25W
Salida: 2X, 21,75 VDC @ 210mA

Para servicio y ventas consulte
"HERRAMIENTAS ELECTRICAS"
en la sección amarilla.



IMPORTADOR: BLACK & DECKER S.A. DE C.V.
BOSQUES DE RADIATAS NO. 42
BOSQUES DE LAS LOMAS, 05120 MEXICO,
D.F.
TEL (55)5326-7100

