

FIRESTORM[®]

HIGH PERFORMANCE TOOLS

OUTILS À HAUT RENDEMENT
HERRAMIENTAS DE ALTO RENDIMIENTO

BY  **BLACK & DECKER**

FS210LS 10" TABLE SAW

INSTRUCTION MANUAL



THANK YOU FOR CHOOSING FIRESTORM! GO TO
WWW.FIRESTORMTOOLS.COM/PRODUCTREGISTRATION
TO REGISTER YOUR NEW PRODUCT.

BEFORE RETURNING THIS PRODUCT FOR ANY REASON PLEASE CALL 1-800-544-6986

BEFORE YOU CALL, HAVE THE FOLLOWING INFORMATION AVAILABLE, CATALOG NO., TYPE NO., AND DATE CODE. IN MOST CASES, A BLACK & DECKER REPRESENTATIVE CAN RESOLVE THE PROBLEM OVER THE PHONE. IF YOU HAVE A SUGGESTION OR COMMENT, GIVE US A CALL. YOUR FEEDBACK IS VITAL TO BLACK & DECKER.

SAVE THIS MANUAL FOR FUTURE REFERENCE.

VEA EL ESPAÑOL EN LA CONTRAPORTADA.

POUR LE FRANÇAIS, VOIR LA COUVERTURE ARRIÈRE.

**INSTRUCTIVO DE OPERACIÓN, CENTROS DE SERVICIO Y
PÓLIZA DE GARANTÍA. ADVERTENCIA: LEÁSE ESTE
INSTRUCTIVO ANTES DE USAR EL PRODUCTO.**

SAFETY GUIDELINES - DEFINITIONS

This manual contains information that is important for you to know and understand. This information relates to protecting YOUR SAFETY and PREVENTING EQUIPMENT PROBLEMS. To help you recognize this information, we use the symbols to the right. Please read the manual and pay attention to these sections.

▲ DANGER Indicates an imminently hazardous situation which, if not avoided, will result in death or serious injury.

▲ WARNING Indicates a potentially hazardous situation which, if not avoided, could result in death or serious injury.

▲ CAUTION Indicates a potentially hazardous situation which, if not avoided, may result in minor or moderate injury.

CAUTION Used without the safety alert symbol indicates potentially hazardous situation which, if not avoided, may result in property damage.

▲ WARNING Some dust created by power sanding, sawing, grinding, drilling, and other construction activities contains chemicals known to cause cancer, birth defects or other reproductive harm. Some examples of these chemicals are:

- lead from lead-based paints,
- crystalline silica from bricks and cement and other masonry products, and
- arsenic and chromium from chemically-treated lumber (CCA).

Your risk from these exposures varies, depending on how often you do this type of work. To reduce your exposure to these chemicals: work in a well ventilated area, and work with approved safety equipment, such as those dust masks that are specially designed to filter out microscopic particles.

- Avoid prolonged contact with dust from power sanding, sawing, grinding, drilling, and other construction activities. Wear protective clothing and wash exposed areas with soap and water. Allowing dust to get into your mouth, eyes, or lay on the skin may promote absorption of harmful chemicals.

▲ WARNING Use of this tool can generate and/or disperse dust, which may cause serious and permanent respiratory or other injury. Always use NIOSH/OSHA approved respiratory protection appropriate for the dust exposure. Direct particles away from face and body.

▲ CAUTION Wear appropriate hearing protection during use. Under some conditions and duration of use, noise from this product may contribute to hearing loss.

GENERAL SAFETY RULES



▲ WARNING READ AND UNDERSTAND ALL WARNINGS AND OPERATING INSTRUCTIONS BEFORE USING THIS EQUIPMENT. Failure to follow all instructions listed below, may result in electric shock, fire, and/or serious personal injury or property damage.

IMPORTANT SAFETY INSTRUCTIONS

Woodworking can be dangerous if safe and proper operating procedures are not followed. As with all machinery, there are certain hazards involved with the operation of the product. Using the machine with respect and caution will considerably lessen the possibility of personal injury. However, if normal safety precautions are overlooked or ignored, personal injury to the operator may result. Safety equipment such as guards, push sticks, hold-downs, featherboards, goggles, dust masks and hearing protection can reduce your potential for injury. But even the best guard won't make up for poor judgment, carelessness or inattention. Always use common sense and exercise caution in the workshop. If a procedure feels dangerous, don't try it. Figure out an alternative procedure that feels safer. **REMEMBER:** Your personal safety is your responsibility.

GENERAL SAFETY RULES

⚠ WARNING FAILURE TO FOLLOW THESE RULES MAY RESULT IN SERIOUS INJURY.

- 1. FOR YOUR OWN SAFETY, READ THE INSTRUCTION MANUAL BEFORE OPERATING THE MACHINE.** Learning the machine's application, limitations, and specific hazards will greatly minimize the possibility of accidents and injury.
- 2. WEAR EYE PROTECTION. ALWAYS USE SAFETY GLASSES.** Also use face or dust mask if cutting operation is dusty. Everyday eyeglasses are NOT safety glasses. **USE CERTIFIED SAFETY EQUIPMENT.** Eye protection equipment should comply with ANSI Z87.1 standards, hearing equipment should comply with ANSI S3.19 standards, and dust mask protection should comply with MSHA/NIOSH certified respirator standards. Splinters, air-borne debris, and dust can cause irritation, injury, and/or illness.
- 3. WEAR PROPER APPAREL.** Do not wear loose clothing, gloves, neckties, rings, bracelets, or other jewelry which may get caught in moving parts. Nonslip footwear is recommended. Wear protective hair covering to contain long hair.
- 4. DO NOT USE THE MACHINE IN A DANGEROUS ENVIRONMENT.** The use of power tools in damp or wet locations or in rain can cause shock or electrocution. Keep your work area well-lit to prevent tripping or placing arms, hands, and fingers in danger.
- 5. MAINTAIN ALL TOOLS AND MACHINES IN PEAK CONDITION.** Keep tools sharp and clean for best and safest performance. Follow instructions for lubricating and changing accessories. Poorly maintained tools and machines can further damage the tool or machine and/or cause injury.
- 6. CHECK FOR DAMAGED PARTS.** Before using the machine, check for any damaged parts. Check for alignment of moving parts, binding of moving parts, breakage of parts, and any other conditions that may affect its operation. A guard or any other part that is damaged **should be properly repaired or replaced.** Damaged parts can cause further damage to the machine and/or injury.
- 7. KEEP THE WORK AREA CLEAN.** Cluttered areas and benches invite accidents.
- 8. KEEP CHILDREN AND VISITORS AWAY.** Your shop is a potentially dangerous environment. Children and visitors can be injured.
- 9. REDUCE THE RISK OF UNINTENTIONAL STARTING.** Make sure that the switch is in the "OFF" position before plugging in the power cord. In the event of a power failure, move the switch to the "OFF" position. An accidental start-up can cause injury.
- 10. USE THE GUARDS.** Check to see that all guards are in place, secured, and working correctly to prevent injury.
- 11. REMOVE ADJUSTING KEYS AND WRENCHES BEFORE STARTING THE MACHINE.** Tools, scrap pieces, and other debris can be thrown at high speed, causing injury.
- 12. USE THE RIGHT MACHINE.** Don't force a machine or an attachment to do a job for which it was not designed. Damage to the machine and/or injury may result.
- 13. USE RECOMMENDED ACCESSORIES.** The use of accessories and attachments not recommended by Delta may cause damage to the machine or injury to the user.
- 14. USE THE PROPER EXTENSION CORD.** Make sure your extension cord is in good condition. When using an extension cord, be sure to use one heavy enough to carry the current your product will draw. An undersized cord will cause a drop in line voltage, resulting in loss of power and overheating. See the Extension Cord Chart for the correct size depending on the cord length and nameplate ampere rating. If in doubt, use the next heavier gauge. The smaller the gauge number, the heavier the cord.
- 15. SECURE THE WORKPIECE.** Use clamps or a vise to hold the workpiece when practical. Loss of control of a workpiece can cause injury.
- 16. FEED THE WORKPIECE AGAINST THE DIRECTION OF THE ROTATION OF THE BLADE, CUTTER, OR ABRASIVE SURFACE.** Feeding it from the other direction will cause the workpiece to be thrown out at high speed.
- 17. DON'T FORCE THE WORKPIECE ON THE MACHINE.** Damage to the machine and/or injury may result.
- 18. DON'T OVERREACH.** Loss of balance can make you fall into a working machine, causing injury.
- 19. NEVER STAND ON THE MACHINE.** Injury could occur if the tool tips, or if you accidentally contact the cutting tool.
- 20. NEVER LEAVE THE MACHINE RUNNING UNATTENDED. TURN THE POWER OFF.** Don't leave the machine until it comes to a complete stop. A child or visitor could be injured.
- 21. TURN THE MACHINE "OFF", AND DISCONNECT THE MACHINE FROM THE POWER SOURCE** before installing or removing accessories, before adjusting or changing set-ups, or when making repairs. An accidental start-up can cause injury.
- 22. MAKE YOUR WORKSHOP CHILDPROOF WITH PADLOCKS, MASTER SWITCHES, OR BY REMOVING STARTER KEYS.** The accidental start-up of a machine by a child or visitor could cause injury.
- 23. STAY ALERT, WATCH WHAT YOU ARE DOING, AND USE COMMON SENSE. DO NOT USE THE MACHINE WHEN YOU ARE TIRED OR UNDER THE INFLUENCE OF DRUGS, ALCOHOL, OR MEDICATION.** A moment of inattention while operating power tools may result in injury.
- 24. TAKE PRECAUTIONS AGAINST DUST INHALATION.** The dust generated by certain woods and wood products can be injurious to your health. Always operate machinery in well-ventilated areas, and provide for proper dust removal. Use wood dust collection systems whenever possible.

ADDITIONAL SAFETY RULES FOR TABLE SAWS

⚠ WARNING READ AND UNDERSTAND ALL WARNINGS AND OPERATING INSTRUCTIONS BEFORE USING THIS EQUIPMENT. Failure to follow all instructions listed below, may result in electric shock, fire, and/or serious personal injury or property damage.

1. **DO NOT OPERATE THIS MACHINE** until it is assembled and installed according to the instructions.
2. **OBTAIN ADVICE FROM YOUR SUPERVISOR, instructor, or another qualified person** if you are not familiar with the operation of this machine.
3. **FOLLOW ALL WIRING CODES** and recommended electrical connections.
4. **USE THE GUARDS WHENEVER POSSIBLE.** Check to see that they are in place, secured, and working correctly.
5. **KICKBACK IS THE NATURAL TENDENCY OF THE WORKPIECE TO BE THROWN BACK AT THE OPERATOR** when the workpiece initially contacts the blade or if the workpiece pinches the blade. Kickback is dangerous and can result in serious injury.
AVOID KICKBACK by:
 - A. keeping blade sharp and free of rust and pitch.
 - B. keeping rip fence parallel to the saw blade.
 - C. using saw blade guard and spreader for every possible operation, including all through sawing.
 - D. pushing the workpiece past the saw blade prior to release.
 - E. never ripping a workpiece that is twisted or warped, or does not have a straight edge to guide along the fence.
 - F. using featherboards when the anti-kickback device cannot be used.
 - G. never sawing a large workpiece that cannot be controlled.
 - H. never using the fence as a guide when crosscutting.
 - I. never sawing a workpiece with loose knots or other flaws.
6. **ALWAYS USE GUARDS, SPLITTER, AND ANTI-KICKBACK FINGERS** whenever possible.
7. **REMOVE CUT-OFF PIECES AND SCRAPS** from the table before starting the saw. The vibration of the machine may cause them to move into the saw blade and be thrown out. After cutting, turn the machine off. After the blade has **come to a complete stop, remove all debris.**
8. **NEVER START THE MACHINE** with the workpiece against the blade.
9. **NEVER** run the workpiece between the fence and a moulding cutterhead.
10. **CUTTING THE WORKPIECE WITHOUT THE USE OF A FENCE OR MITER GAUGE IS KNOWN AS “FREEHAND” CUTTING. NEVER** perform “free-hand” operations. Use either the fence or miter gauge to position and guide the workpiece.
11. **HOLD THE WORKPIECE FIRMLY** against the miter gauge or fence.
12. **CUTTING COMPLETELY THROUGH THE WORKPIECE IS KNOWN AS “THROUGH-SAWING”.** Ripping and cross-cutting are through-sawing operations. Cutting with the grain (or down the length of the workpiece) is ripping. Cutting across the grain (or across the workpiece) is cross-cutting. Use a fence or fence system for ripping. **DO NOT** use a fence or fence system for cross-cutting. Instead, use a miter gauge. **USE PUSH STICK(S)** for ripping a narrow workpiece.
13. **AVOID AWKWARD OPERATIONS AND HAND POSITIONS** where a sudden slip could cause a hand to move into the blade.
14. **KEEP ARMS, HANDS, AND FINGERS** away from the blade.
15. **NEVER** have any part of your body in line with the path of the saw blade.
16. **NEVER REACH AROUND** or over the saw blade.
17. **NEVER** attempt to free a stalled saw blade without first turning the machine “OFF”.
18. **PROPERLY SUPPORT LONG OR WIDE** workpieces.
19. **NEVER PERFORM LAYOUT,** assembly or set-up work on the table/work area when the machine is running.
20. **TURN THE MACHINE “OFF” AND DISCONNECT THE MACHINE** from the power source before installing or removing accessories, before adjusting or changing set-ups, or when making repairs.
21. **TURN THE MACHINE “OFF”,** disconnect the machine from the power source, and clean the table/work area before leaving the machine. **LOCK THE SWITCH IN THE “OFF” POSITION** to prevent unauthorized use.
22. **ADDITIONAL INFORMATION** regarding the safe and proper operation of power tools (i.e. a safety video) is available from the Power Tool Institute, 1300 Sumner Avenue, Cleveland, OH 44115-2851 (www.powertoolinstitute.com). Information is also available from the National Safety Council, 1121 Spring Lake Drive, Itasca, IL 60143-3201. Please refer to the American National Standards Institute ANSI 01.1 Safety Requirements for Woodworking Machines and the U.S. Department of Labor OSHA 1910.213 Regulations.

**SAVE THESE INSTRUCTIONS.
Refer to them often
and use them to instruct others.**

POWER CONNECTIONS

A separate electrical circuit should be used for your machine. This circuit should not be less than #12 wire and should be protected with a 20 Amp time lag fuse. If an extension cord is used, use only 3-wire extension cords which have 3-prong grounding type plugs and matching receptacle which will accept the machine's plug. Before connecting the machine to the power line, make sure the switch is in the "OFF" position and be sure that the electric current is of the same characteristics as indicated on the machine. All line connections should make good contact. Running on low voltage will damage the machine.

⚠ DANGER SHOCK HAZARD. DO NOT EXPOSE MACHINE TO RAIN OR OPERATE MACHINE IN DAMP LOCATIONS.

MOTOR SPECIFICATIONS

Your machine is wired for 120 volt, 60 HZ alternating current. Before connecting the machine to the power source, make sure the switch is in the "OFF" position.

GROUNDING INSTRUCTIONS

⚠ DANGER SHOCK HAZARD. THIS MACHINE MUST BE GROUNDED WHILE IN USE TO PROTECT THE OPERATOR FROM ELECTRIC SHOCK.

1. All grounded, cord-connected machines:

In the event of a malfunction or breakdown, grounding provides a path of least resistance for electric current to reduce the risk of electric shock. This machine is equipped with an electric cord having an equipment-grounding conductor and a grounding plug. The plug must be plugged into a matching outlet that is properly installed and grounded in accordance with all local codes and ordinances.

Do not modify the plug provided - if it will not fit the outlet, have the proper outlet installed by a qualified electrician.

Improper connection of the equipment-grounding conductor can result in risk of electric shock. The conductor with insulation having an outer surface that is green with or without yellow stripes is the equipment-grounding conductor. If repair or replacement of the electric cord or plug is necessary, do not connect the equipment-grounding conductor to a live terminal.

Check with a qualified electrician or service personnel if the grounding instructions are not completely understood, or if in doubt as to whether the machine is properly grounded.

Use only 3-wire extension cords that have 3-prong grounding type plugs and matching 3-conductor receptacles that accept the machine's plug, as shown in Fig. A.

Repair or replace damaged or worn cord immediately.

2. Grounded, cord-connected machines intended for use on a supply circuit having a nominal rating less than 150 volts:

If the machine is intended for use on a circuit that has an outlet that looks like the one illustrated in Fig. A, the machine will have a grounding plug that looks like the plug illustrated in Fig. A. A temporary adapter, which looks like the adapter illustrated in Fig. B, may be used to connect this plug to a matching 2-conductor receptacle as shown in Fig. B if a properly grounded outlet is not available. The temporary adapter should be used only until a properly grounded outlet can be installed by a qualified electrician. The green-colored rigid ear, lug, and the like, extending from the adapter must be connected to a permanent ground such as a properly grounded outlet box. Whenever the adapter is used, it must be held in place with a metal screw.

NOTE: In Canada, the use of a temporary adapter is not permitted by the Canadian Electric Code.

⚠ DANGER IN ALL CASES, MAKE CERTAIN THE RECEPTACLE IN QUESTION IS PROPERLY GROUNDED. IF YOU ARE NOT SURE HAVE A QUALIFIED ELECTRICIAN CHECK THE RECEPTACLE.

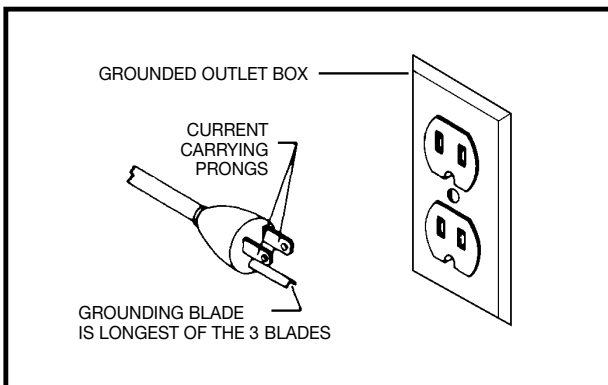


Fig. A

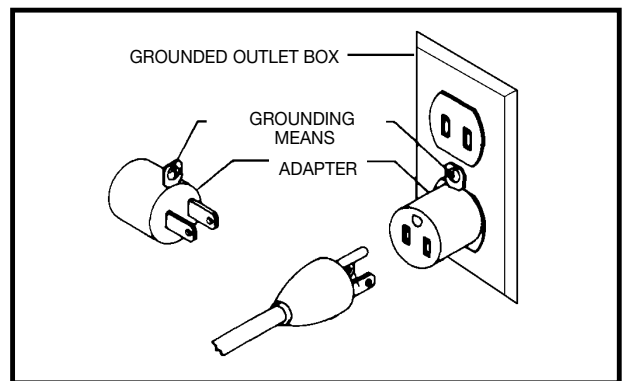


Fig. B

EXTENSION CORDS

CAUTION Use proper extension cords. Make sure your extension cord is in good condition and is a 3-wire extension cord which has a 3-prong grounding type plug and matching receptacle which will accept the machine's plug. When using an extension cord, be sure to use one heavy enough to carry the current of the machine. An undersized cord will cause a drop in line voltage, resulting in loss of power and overheating. Fig. C, shows the correct gauge to use depending on the cord length. If in doubt, use the next heavier gauge. The smaller the gauge number, the heavier the cord.

MINIMUM GAUGE EXTENSION CORD			
RECOMMENDED SIZES FOR USE WITH STATIONARY ELECTRIC MACHINES			
Ampere Rating	Volts	Total Length of Cord in Feet	Gauge of Extension Cord
0-6	120	up to 25	18 AWG
0-6	120	25-50	16 AWG
0-6	120	50-100	16 AWG
0-6	120	100-150	14 AWG
6-10	120	up to 25	18 AWG
6-10	120	25-50	16 AWG
6-10	120	50-100	14 AWG
6-10	120	100-150	12 AWG
10-12	120	up to 25	16 AWG
10-12	120	25-50	16 AWG
10-12	120	50-100	14 AWG
10-12	120	100-150	12 AWG
12-16	120	up to 25	14 AWG
12-16	120	25-50	12 AWG
12-16	120	GREATER THAN 50 FEET NOT RECOMMENDED	

Fig. C

FUNCTIONAL DESCRIPTION

FOREWORD

Model FS210LS has big saw capacity at an economical price. It has an extra large, 17 in. x 34 in. aluminum table with extension and is powered by a heavy-duty 15 amp. motor with a floating jackshaft gear - the most powerful in its class. This saw is designed to give high quality performance with depth of cut capacity up to 3 in. (76mm) at 90° and 2.5 in. (63.5mm) at 45° for clean cutting of standard stock sizes. This package includes the saw, a metal stand, rip fence, miter gage, see-through blade guard with splitter and anti-kickback fingers, table extensions a 10 in. carbide-tipped saw blade, table insert and blade wrenches.

UNPACKING AND CLEANING

Carefully unpack the machine and all loose items from the shipping container(s). Remove the protective coating from all unpainted surfaces. This coating may be removed with a soft cloth moistened with kerosene (do not use acetone, gasoline or lacquer thinner for this purpose). After cleaning, cover the unpainted surfaces with a good quality household floor paste wax.

NOTICE: THE PHOTO ON THE MANUAL COVER ILLUSTRATES THE CURRENT PRODUCTION MODEL. ALL OTHER ILLUSTRATIONS CONTAINED IN THE MANUAL ARE REPRESENTATIVE ONLY AND MAY NOT DEPICT THE ACTUAL COLOR, LABELING OR ACCESSORIES AND ARE INTENDED TO ILLUSTRATE TECHNIQUE ONLY.

ASSEMBLY

ASSEMBLY TOOLS REQUIRED

- 1.) Adjustable wrench
- 2.) 13mm wrench for stand bolts.
- 3.) 10mm wrench for splitter assembly bolts, rear supports assembly and extension wings assembly.
- 4.) Slotted screwdriver.
- 6.) Phillips screwdriver.
- 5.) Straight edge and/or framing square for adjustments.

ASSEMBLY TIME ESTIMATE

2 Hours

TABLE SAW PARTS

- 1- Saw
- 2- Left Extension Wing
- 3- 1/4 in.-20X1 in.Hex Head Screw for Left Extension Wing (3)
- 4- 1/4 in. Flat Washer for Left Extension Wing (6)
- 5- 1/4 in. Lockwasher for Left Extension Wing (3)
- 6- 1/4 in.-20 Hex Nut for Left Extension Wing (3)
- 7- Right Extension Wing
- 8- 1/4 in.-20X5/8 in.Hex Head Screw for Right Extension Wing (3)
- 9- 1/4 in. Flat Washer for Right Extension Wing (3)
- 10- 1/4 in. Lockwasher for Right Extension Wing (3)

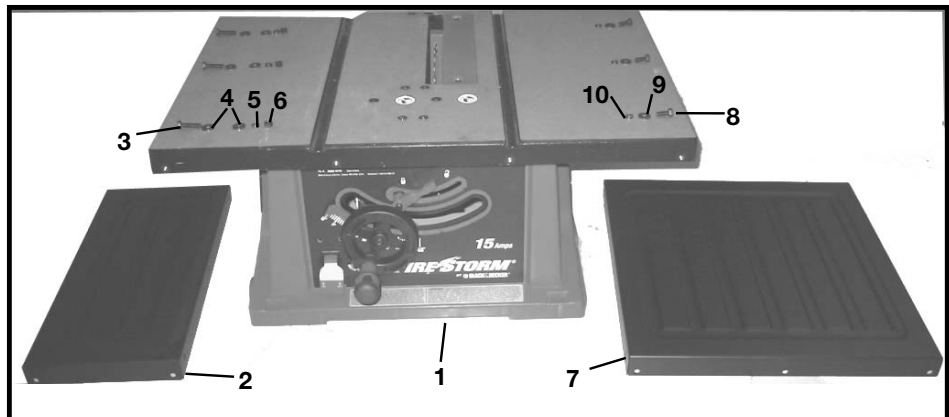


Fig. 1

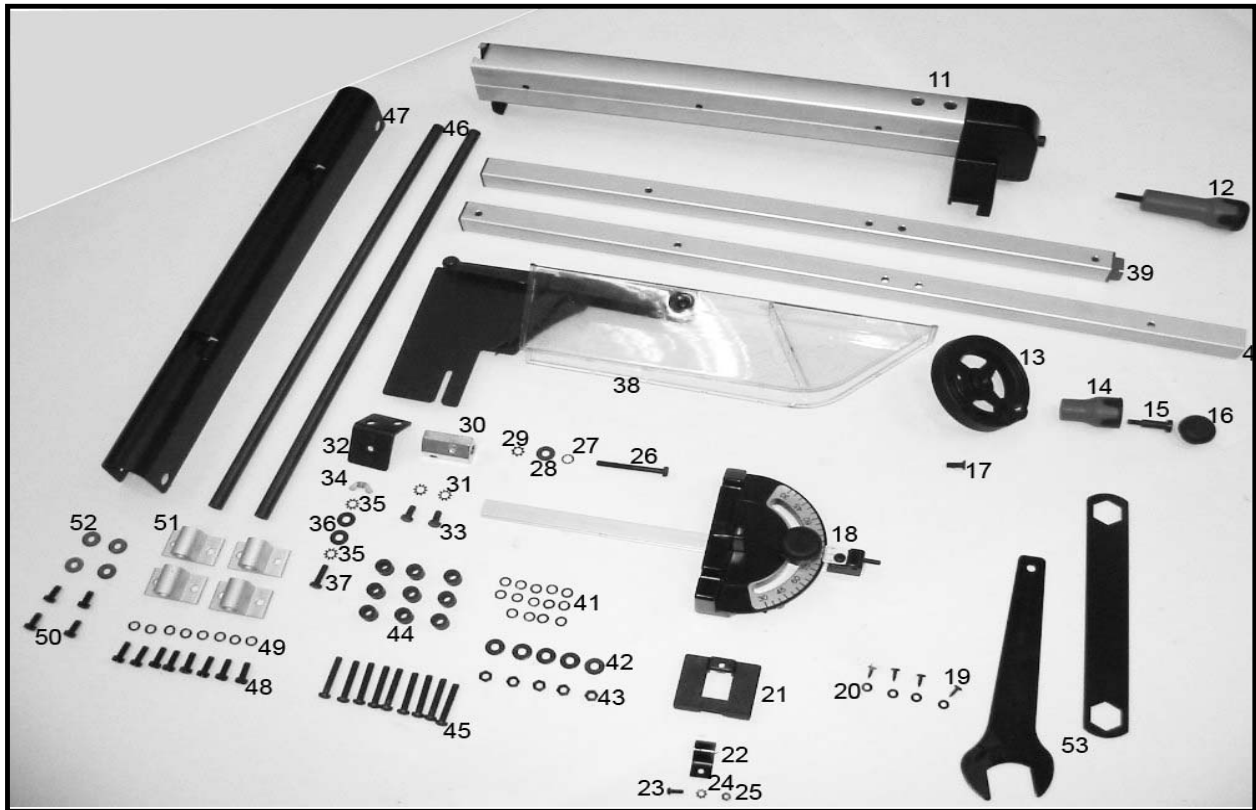


Fig. 2

RIP FENCE PARTS (11,12)

- 11-Rip Fence
- 12-Locking Handle for Rip Fence

BLADE RAISING AND LOWERING HANDWHEEL PARTS (13,14,15,16,17)

- 13-Blade Raising and Lowering Handwheel
- 14-Handle for Blade Raising and Lowering handwheel
- 15-Screw for Mounting Handwheel Handle
- 16-Cap for Handle
- 17-M6X1X12mm Flat Head Screw for Mounting Blade Raising and Lowering Handwheel
- 18-Miter Gage

MITER GAGE HOLDER PARTS (19,20,21,22,23,24,25)

- 19-M4.2X10mm Pan Head Tap Screws for Mounting Miter Gage Holder(4)
- 20-Lockwasher for Mounting Miter Gage Holder(4)
- 21-Miter Gage Holder
- 22-Spring Clip for Miter Gage Holder
- 23-M4X0.7X10mm Pan Head Screw for Miter Gage Holder
- 24-3/16 in.External Tooth Lockwasher for Miter Gage Holder
- 25-M4X0.7mm Hex Nut for Miter Gage Holder

SPLITTER BRACKET PARTS (26,27,28,29,30,31,32,33,34,35,36,37)

- 26-1/4-20X2-1/4 in.Long Hex Head Screw for Mounting Splitter Bracket
- 27-1/4 in.Internal Tooth Lockwasher for Mounting Splitter Bracket
- 28-1/4 in.Flat Washer for Mounting Splitter Bracket
- 29-1/4 in.External Tooth Lockwasher for Mounting Splitter Bracket
- 30-Splitter Bracket

- 31-1/4 in.External Tooth Lockwasher for Splitter Bracket(2)
- 32-Splitter Support Bracket
- 33-1/4-20X1/2 in.Hex Head Screws for Splitter Bracket(2)
- 34-Wing Nut for Mounting Splitter Support Bracket
- 35-1/4 in.External Tooth lockwasher for Splitter Bracket(2)
- 36-1/4 in.Flat washer for Mounting Splitter Support Bracket(2)
- 37-M6X1X20mmHex Head Screw for Mounting Splitter Support Bracket
- 38-Splitter and Guard Assembly
- 39-Fence Left Rail
- 40-Fence Right Rail

FENCE RAIL PARTS (41,42,43,44,45)

- 41-M6 Lockwasher for Mounting Fence Rail(14)
- 42-1/4 in. Flat washer for Mounting Fence Rail(5)
- 43-1/4 in.-20 Hex Nut for Mounting Rail and Extension Wings(5)
- 44-Spacers for Mounting Fence(9)
- 45-1/4 in.-20X1-1/4 Round Head Screws for Mounting Fence Rail (9)

OUTFEED SUPPORT PARTS (46,47,48,49,50,51,52)

- 46-Rod for Rear Support (2)
- 47-Rear Support
- 48-M6X1X15mm Hex Cross Screw for Bracket(8)
- 49-M6 Lockwasher for Mounting Bracket(8)
- 50-1/4 in.-20X1/2 in. Hex Head Screw for Rod(4)
- 51-Bracket(4)
- 52-1/4 in.Flat Washers for Mounting Rod(4)
- 53-Wrenches for Blade Changing

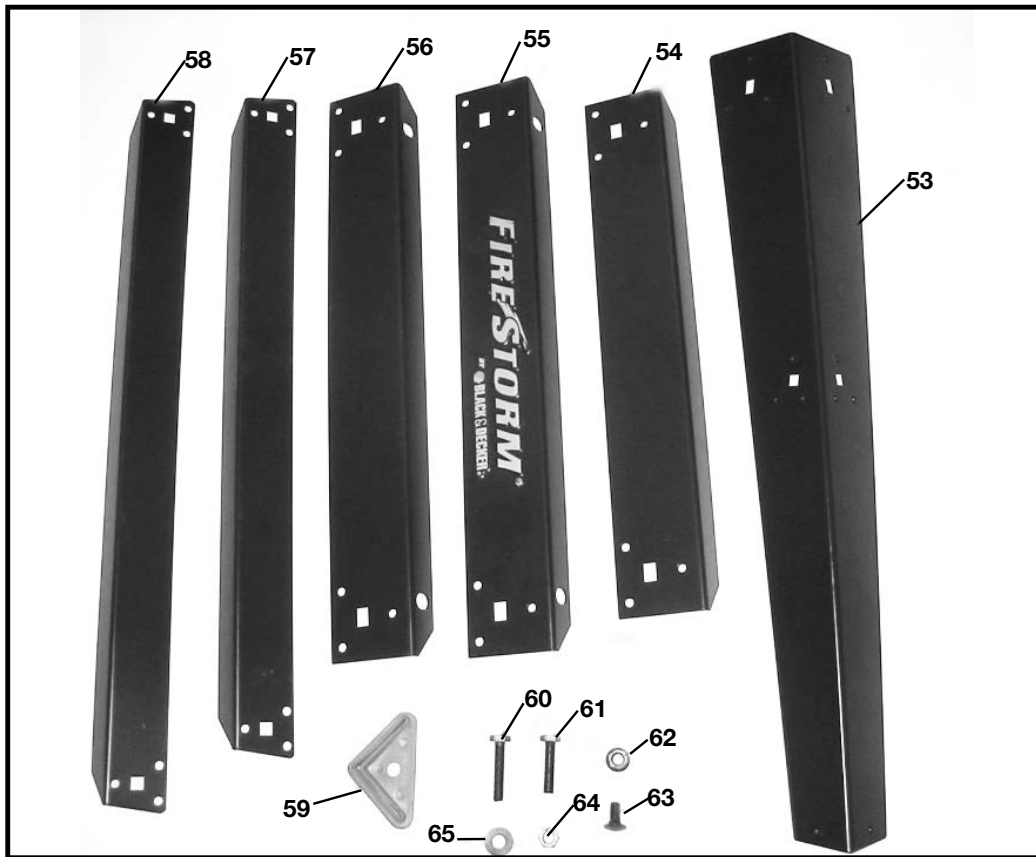


Fig. 3

STAND PARTS

53-Leg(4)

54-Top side Bracket(2)

55-Top Front Bracket

56-Top Rear Bracket

57-Bottom side Brackets(2)

58-Bottom Front Brackets(2)

59-Foot(4)

60-M8X1.25X45mm Hex Head Screw for Leg and Base(2)

61-M8X1.25X30mm Hex Head Screw for Leg and Base(2)

62-5/16 in.Hex lock Nut(16)

63-5/16 in.Carriage Bolt(16)

64-M8 Hex Nut(4)

65- M8 Flat washer(8)

⚠ WARNING FOR YOUR OWN SAFETY, DO NOT CONNECT THE MACHINE TO THE POWER SOURCE UNTIL THE MACHINE IS COMPLETELY ASSEMBLED. DO NOT OPERATE THIS MACHINE UNTIL YOU READ AND UNDERSTAND THE ENTIRE INSTRUCTION MANUAL

MITER GAGE HOLDER

⚠ WARNING DISCONNECT MACHINE FROM POWER SOURCE.

1. Assemble spring clip (E) Fig. 4, to the miter gage holder (A) as shown using a M4x.7x10mm pan head screw (F), 3/16 in. lockwasher and M4x.7 hex nut. **NOTE:** Hex nut (G) Fig. 5, will fit into the recess at the back of the miter gage holder (A) to keep spring clip (E) Fig. 4, secured to the miter gage holder.

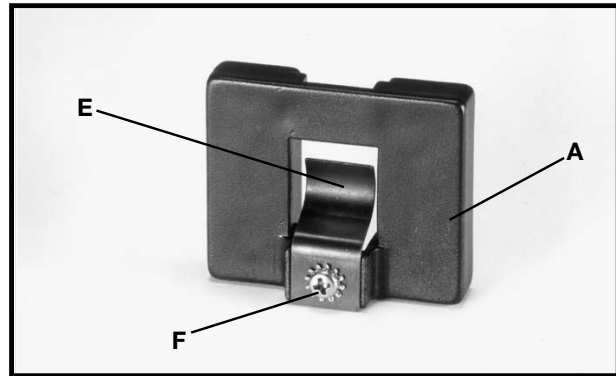


Fig. 4

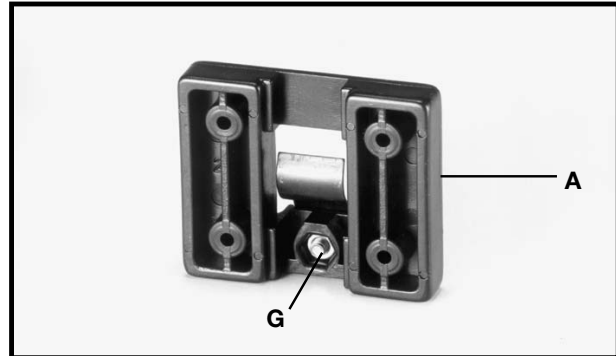


Fig. 5

2. Assemble the miter gage holder (A) Fig. 6, to the left side of the saw cabinet using the four M4.2x10mm pan head screws (B) Fig. 7, and 3/16 in. washers (C) from inside saw cabinet.

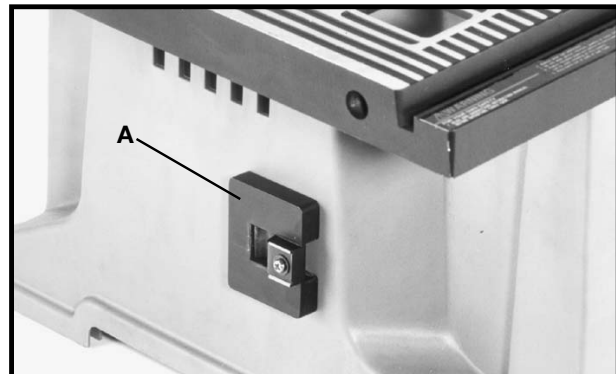


Fig. 6

3. Fig. 8, illustrates the miter gage (D) inserted into the miter gage holder when not in use.



Fig. 7

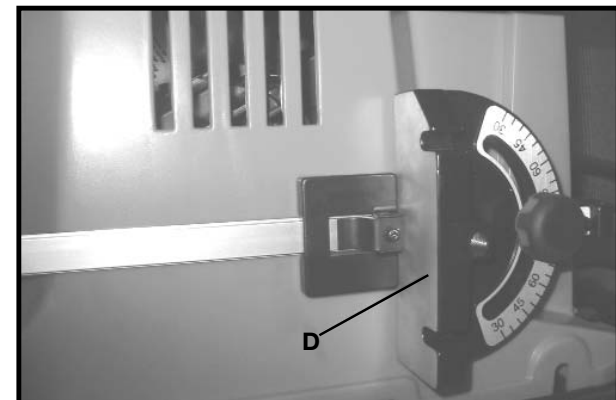


Fig. 8

STAND ASSEMBLY

1. The stand legs have protrusions which align with the holes in the top and bottom brackets. Assemble the stand as shown in Fig. 9A, using 16 carriage bolts and hex lock nuts. Do not completely tighten the hardware at this time.

- A-Top front bracket (with logo)
- B-Top rear bracket
- C-Bottom side brackets
- D-Bottom front and rear brackets
- E-Top side brackets
- F-Foot

IMPORTANT: THE TOP, FRONT, AND REAR BRACKETS (A&B) FIG. 9A, ARE LONGER THAN THE TOP SIDE BRACKETS (E) FIG. 9A. THE BOTTOM FRONT AND REAR BRACKETS (D) FIG. 9A, ARE LONGER THAN THE BOTTOM SIDE BRACKETS (C).

2. Assemble the rubber feet (F) Fig. 9A. **NOTE:** Each rubber foot is provided with holes for mounting the stand to the floor surface if required.

ATTACHING DUST BAG

1. Attach the dust bag to the bag frame and place the frame of the dust bag inside the saw stand as shown in Fig. 9B. Refer to the section below to attach this assembly to the saw.

SAW TO STAND

1. Turn saw table face down on a piece of cardboard to protect the table surface. Place stand upside down onto saw and align the four holes in the stand with the mounting holes in the saw.

2. Using the 2 longer screws for the front, place a M8 flat washer on a M8X1.25X45mm hex head screw. Insert the hex head screw through the mounting hole in the saw and the mounting hole in the stand. Place another M8 flat washer on the hex screw and thread a M8X1.25 hex nut on the screw and loosely tighten. Repeat this process to complete another hole in the saw front.

Using the 2 shorter screws for the back, place a M8 flat washer on a M8X1.25X30mm hex head screw in the back of saw. Insert the hex head screw through the mounting hole in the saw and the mounting hole in the stand. Place another M8 flat washer on the hex screw and thread a M8X1.25 hex nut on the screw and loosely tighten. Repeat this process to complete another hole in the saw back.

3. Then, turn saw table face up, as shown in Fig. 9C (Saw is shown fully assembled here).

4. Push down on top of the saw so the legs of the stand adjust to the surface of the floor and tighten all stand hardware and hardware which secures saw to stand.

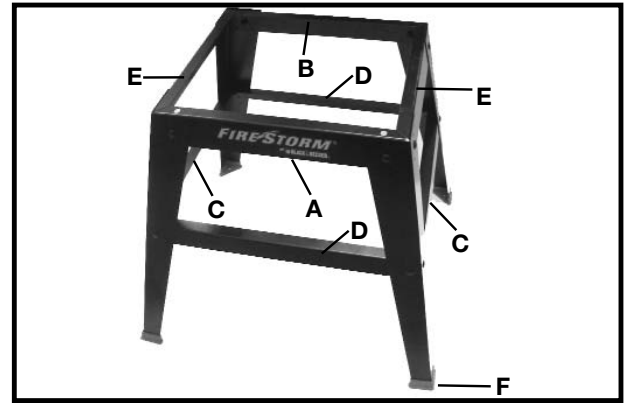


Fig. 9A



Fig. 9B



Fig. 9C

ASSEMBLING BLADE RAISING AND LOWERING HANDWHEEL

1. Insert special screw (C) through handle (B) Fig.10 and assembly handle to handwheel (A) by threading screw clockwise into handwheel. Then push on handle cover (D).

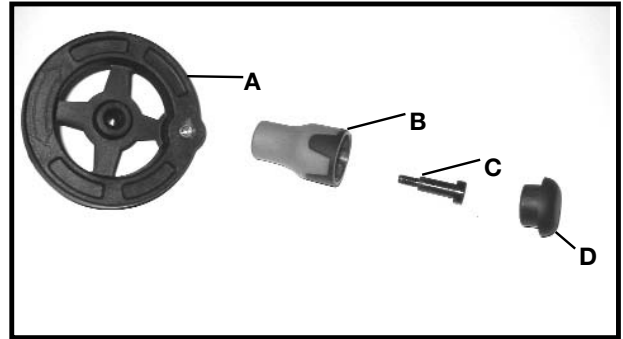


Fig. 10

2. Fig. 11, illustrates the handle (B) assembled to handwheel (A).



Fig. 11

3. Assemble handwheel (A) Fig. 12, to shaft (B) making sure the flat on inside of handwheel lines up with flat on shaft.

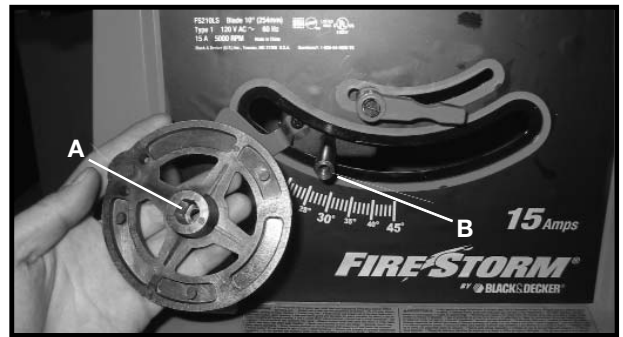


Fig. 12

4. Fasten handwheel (A) Fig. 13, to shaft (B) Fig. 12, using a M6x1x12mm flat head screw (C) Fig. 13.



Fig. 13

BLADE GUARD AND SPLITTER ASSEMBLY

⚠ WARNING DISCONNECT MACHINE FROM POWER SOURCE.

1. **IMPORTANT: THE BLADE GUARD AND SPLITTER ASSEMBLY MUST BE PROPERLY ALIGNED TO THE SAW BLADE IN ORDER TO PREVENT KICKBACK.**

2. Position the blade 90 degrees to the table and lock in place. Refer to page 18 “Blade Raising and Lowering Control” and page 19 “Blade Tilting Control”.

3. Fasten the splitter support bracket (A) Fig. 14, to splitter bracket (B) using two 1/4-20 x 1/2 in. Hex Head Screws (C), and two 1/4 in. external tooth lockwashers as shown. **NOTE: Do not completely tighten screws (C) at this time.**

4. Locate the 1/4-20 x 2-1/4 in. hex head screw (G) Fig. 15, and assemble the 1/4 in. internal tooth lockwasher (O), 1/4 in. flat washer (P) and 1/4 in. external tooth lockwasher (R) onto screw (G).

5. Position recessed end (E) Fig. 16, of splitter bracket (B) against end of pivot rod (F) and fasten in place using assembly from STEP 4 above. **NOTE: Do not completely tighten screw (G) at this time.** Assembly shown in Fig. 17.

6. Position the splitter (H) Fig. 18, on the splitter support bracket as shown, making certain the two protrusions (K) on the splitter support bracket are inside the slot of splitter (H).

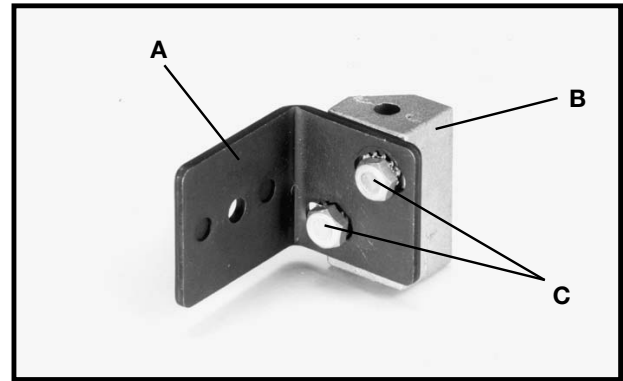


Fig. 14

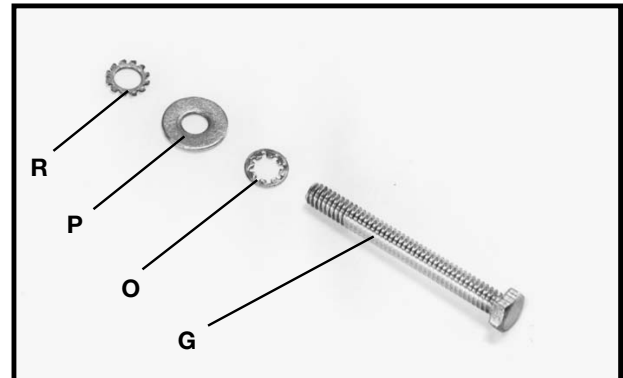


Fig. 15

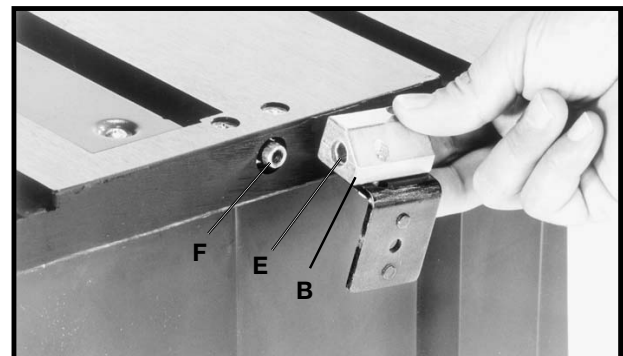


Fig. 16

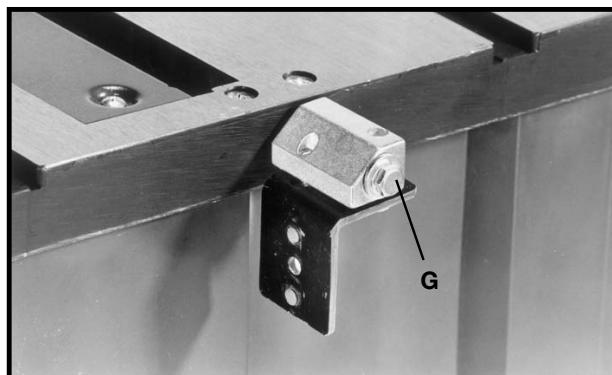


Fig. 17

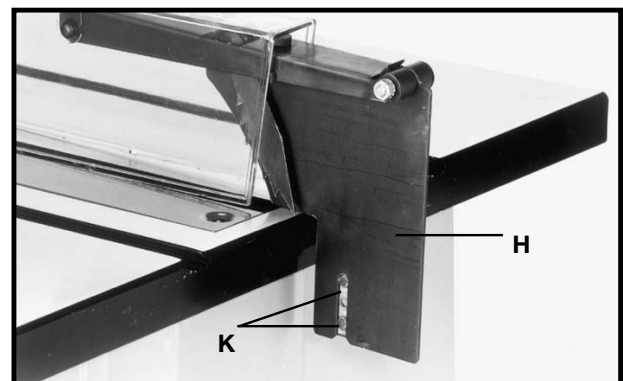


Fig. 18

7. Assemble splitter (H) Fig. 19, to splitter support bracket (B) as shown using M6x1x20mm hex head screw (L), 1/4 in. external tooth washer, and 1/4 in. flat washer.

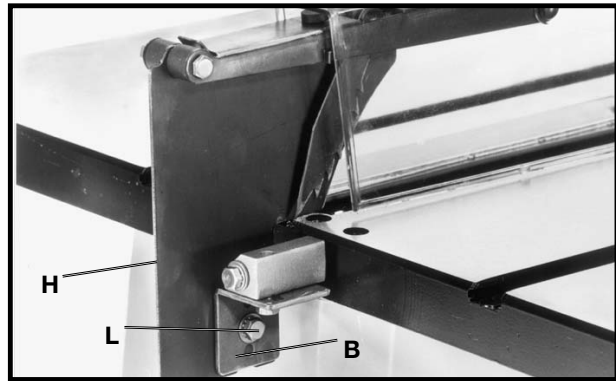


Fig. 19

8. Fasten splitter (H) Fig. 20, to splitter support bracket using 1/4 in. flat washer, 1/4 in. external tooth lockwasher and M6 wing nut (M). **NOTE:** Before tightening wing nut (M) make certain there is at least a 1/8 in. gap between the bottom edge of splitter (N) and top surface of table (P) and that protrusion “pins” (K) Fig. 20, are inside the slot of splitter assembly (H).

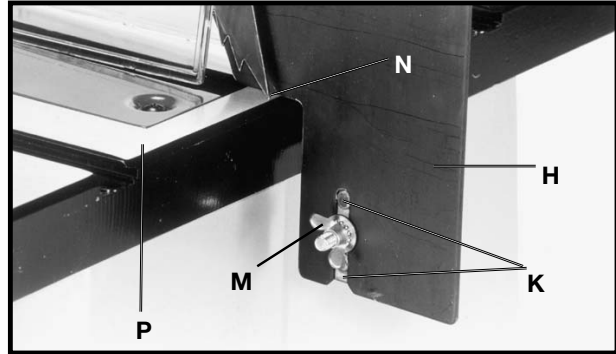


Fig. 20

9. Using a straight edge, check to see if the splitter (H) Fig. 21, is aligned with the saw blade (R). If an adjustment is necessary, the splitter (H) can be moved left or right and rotated.

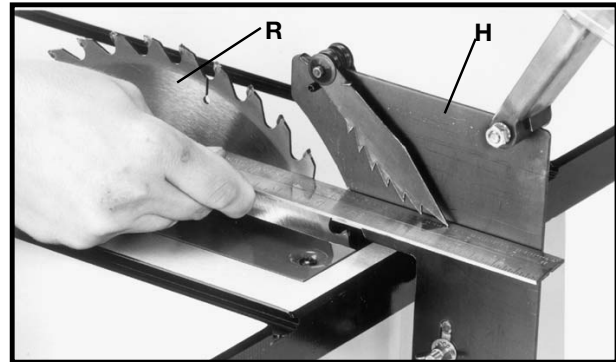


Fig. 21

10. When you are certain the splitter is properly aligned with the saw blade, tighten the two screws (C) Fig. 22, that fasten the splitter support bracket to the splitter bracket and tighten screw (G) that fastens the splitter bracket to the pivot rod.

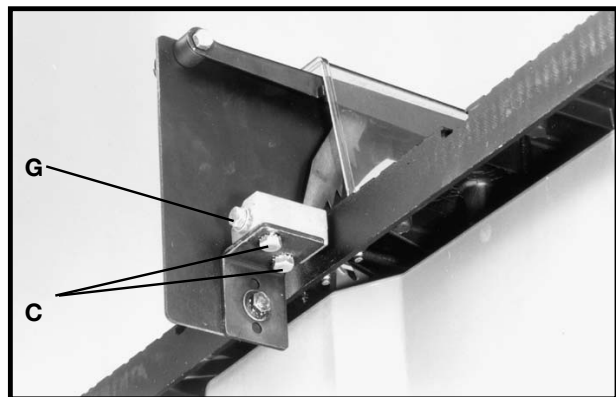


Fig. 22

EXTENSION WINGS

1. Assemble left extension wing (Fig.23), to the saw table using 1/4-20X1 in.hex head screws (3), 1/4 in.flat washers (6), 1/4 in.lockwashers (3),1/4 in.hex nuts (3).
2. Assemble right extension wing into the threaded holes of the saw using 1/4 in.-20X5/8 in. hex head screws (3), 1/4 in. flat washers (3) 1/4 in. lockwashers (3).
3. With a straight edge, make certain the top, front and rear edges of the extension wings are level with the saw table before tightening three screws which secure extension wing to table.



Fig. 23

GUIDE RAIL TO SAW

1. Holding the guide rail with the larger holes facing you, loosely fasten guide rails (A) Fig. 24, to the four threaded holes (B) in saw table (C) using two 1/4-20 x 1-1/4 in. long screws (D), 1/4 in. lockwashers (E), and spacers (F).

IMPORTANT: Spacers (F) Fig. 24, are positioned between guide rails (A) and saw table (C).

2. Fasten guide rails (A) Fig. 24, to extension wings (G) through hole (K) using the 1/4-20 x 1-1/4 in. long screw (D), 1/4 in. lockwasher (E), spacer (F), 1/4 in. flat washer (H), 1/4 in. lockwasher (E), and 1/4-20 hex nut (J). Then tighten all guide rail mounting hardware.

IMPORTANT: Spacer (F) Fig. 24, is positioned between guide rails (A) and extension wings (G).

3. Fig. 25, illustrates the guide rails properly assembled to saw table and extension wings.

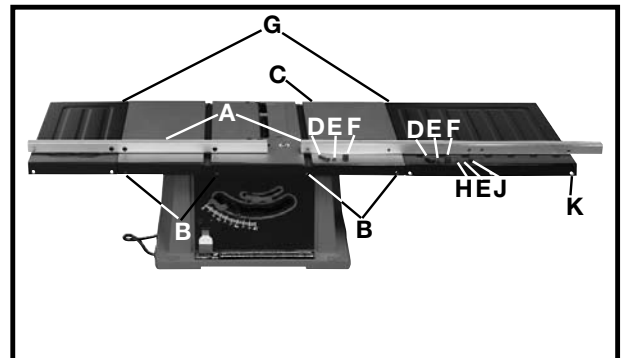


Fig. 24



Fig. 25

RIP FENCE

1. Thread the M8x1.25 hex nut (A) Fig. 26, approximately halfway on the stud of the handle (B).
2. Thread the handle (B) Fig. 26 into the tapped hole (C) in the fence cam (D). Tighten the hex nut (A) Fig. 26 against the cam (D).

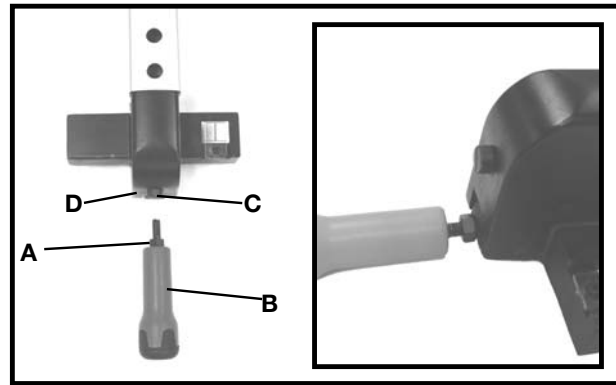


Fig. 26

3. Lower rip fence onto table as shown in Fig. 27, making certain rear clamp hooks over back edge of table.

4. The rip fence is usually operated on the right hand side of the saw table. Lift lock handle (B), and position fence on table. Push downward on handle (B), to lock fence in place on saw table.

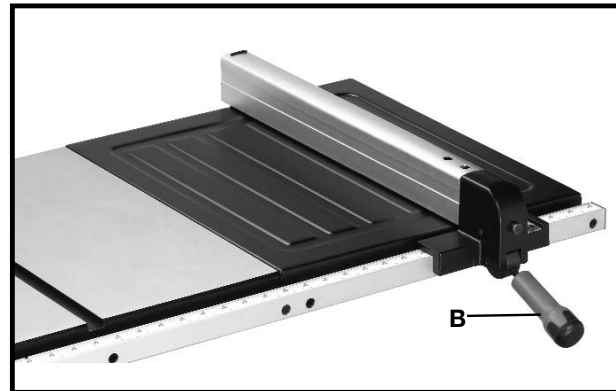


Fig. 27

MITER GAGE

The miter gage is shipped completely assembled and is supplied with a T-slot miter gage bar (A) Fig. 28, that is inserted into either one of the two T-slotted miter gage grooves located in the table top, as shown. The T-slot miter gage prevents the miter gage from falling when it is extended out beyond the front of the table when cross-cutting extra wide workpieces.

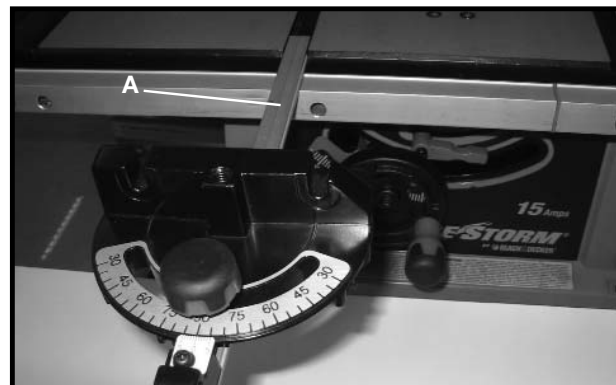


Fig. 28

OUTFEED SUPPORT

1. **LOOSELY** fasten both brackets (A) Fig. 29, to the bottom left side of the saw table as shown, using two M6x15mm phillips hex head screws (B) and M6.1 lockwashers (C). Assemble two remaining brackets to the bottom right side of saw table in the same manner.

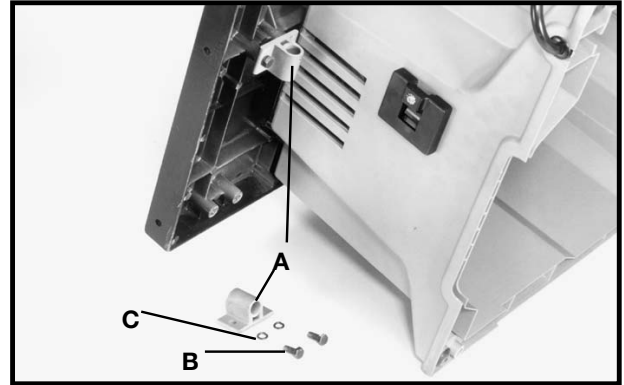


Fig. 29

2. Insert rod (D) Fig. 30, through holes in brackets (A) as shown. Then thread and tighten one 1/4-20x1/2 in. hex head screw (E) and 1/4 in. flat washer (F) into the front end of rod (D) as shown at (G). Assemble remaining rod to the opposite side of saw in the same manner.

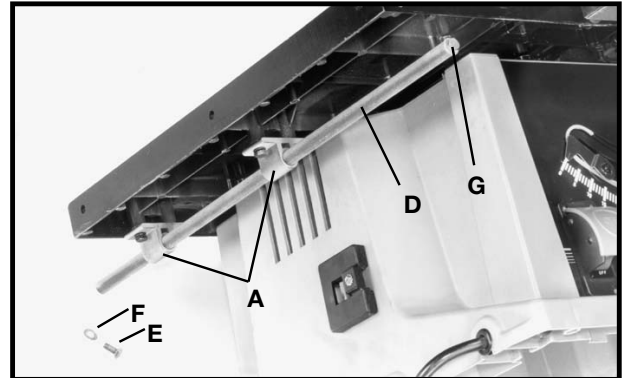


Fig. 30

3. Insert rods (D) Fig. 31, into larger holes (H) in outfeed support (J) as shown.

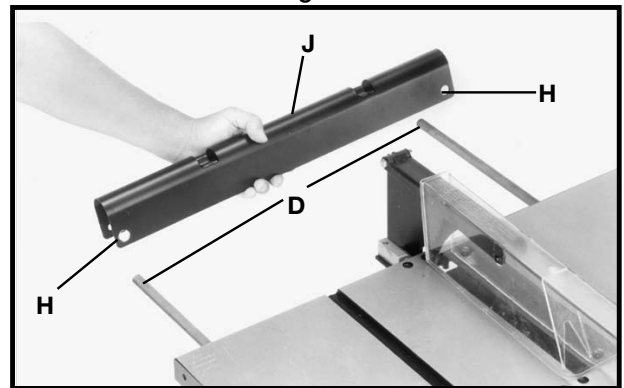


Fig. 31

4. Secure outfeed support (J) Fig. 32, to rods (D) using two 1/4-20x1/2 in. hex head screws and 1/4 in. flat washers (K) as shown.

5. Push entire outfeed support assembly (J) Fig. 33, in until it contacts splitter/guard assembly (L) as shown. Then tighten all outfeed support mounting hardware.

6. Place washer on 1/4-20x1/2 in. hex screw and thread into the other end of the rods to prevent them from coming out of outfeed support brackets.

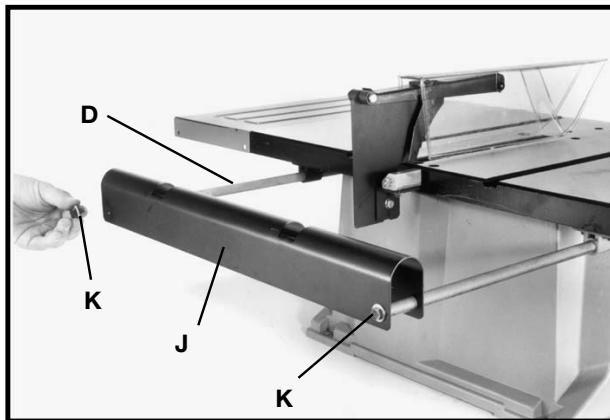


Fig. 32

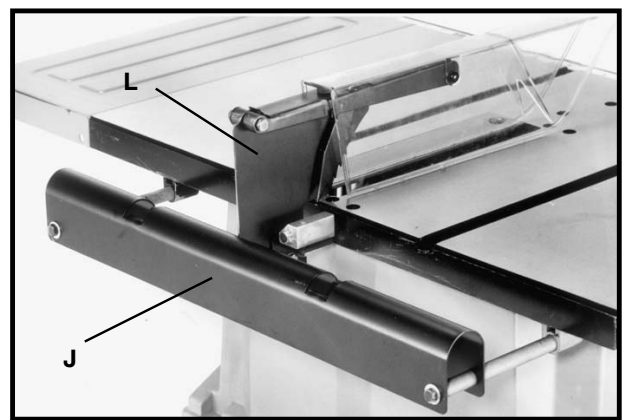


Fig. 33

OPERATING CONTROLS AND ADJUSTMENTS

STARTING AND STOPPING SAW

The on/off switch (A) Fig. 34 is located on the front of the saw cabinet. To turn the saw “ON”, move the switch (A) up to the “ON” position. To turn the saw “OFF”, move the switch (A) down to the “OFF” position.

⚠ WARNING MAKE SURE THAT THE SWITCH IS IN THE “OFF” POSITION BEFORE PLUGGING IN THE POWER CORD. IN THE EVENT OF A POWER FAILURE, MOVE THE SWITCH TO THE “OFF” POSITION. AN ACCIDENTAL START-UP CAN CAUSE INJURY.

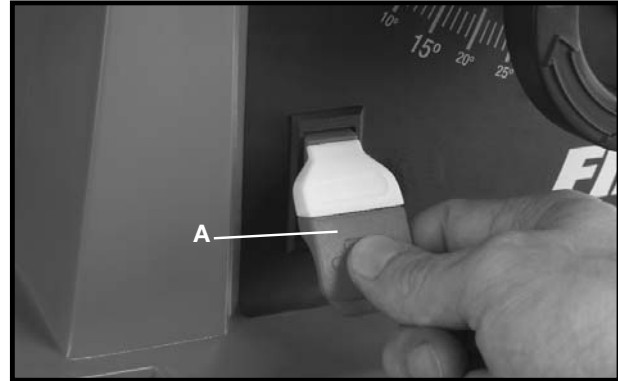


Fig. 34

LOCKING SWITCH IN THE “OFF” POSITION

IMPORTANT: When the tool is not in use, the switch should be locked in the “OFF” position to prevent unauthorized use. To lock the tool, grasp the switch toggle (B) and pull it out of the switch (Fig. 35). With the switch toggle (B) removed, the switch will not operate. However, should the switch toggle be removed while the saw is running, the machine can be turned “OFF,” but cannot be restarted without re-inserting the switch toggle (B).

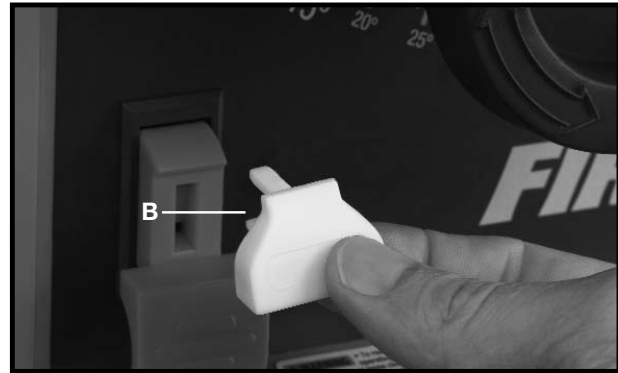


Fig. 35

BLADE RAISING AND LOWERING CONTROL

To raise or lower the saw blade, turn handwheel (A) Fig. 36. Turning the handwheel clockwise lowers the blade and turning the handwheel counterclockwise raises the blade.

⚠ WARNING THE BLADE TILTING LOCK HANDLE (B) FIG. 36, MUST BE LOCKED DURING ALL CUTTING OPERATIONS.



Fig. 36

BLADE TILTING CONTROL

To tilt the saw blade, loosen blade tilting lock handle (A) Fig. 37, move handwheel (B) until the blade is at the desired angle and tighten lock handle (A). **NOTE:** The lock handle (A) is spring-loaded and can be repositioned by pulling out on the handle (A) and repositioning it on the serrated stud located underneath the handle.

⚠ WARNING THE BLADE TILTING LOCK HANDLE (A) MUST BE LOCKED DURING ALL CUTTING OPERATIONS.



Fig. 37

ADJUSTING 90 AND 45 DEGREE POSITIVE STOPS

Your saw is equipped with positive stops for rapid and accurate positioning of the saw blade at 90 and 45 degrees to the table. To adjust the positive stops, proceed as follows:

⚠ WARNING DISCONNECT MACHINE FROM POWER SOURCE.

1. Raise the saw blade to its maximum height.

TO ADJUST POSITIVE STOP AT 90 DEGREES

2. Loosen the blade tilting lock handle, move the blade tilting mechanism as far as possible to the left and tighten the blade tilting lock handle.

3. Place a square (A) Fig. 38, on the table with one end of the square against the blade, as shown, and check to see if the blade is at 90 degrees to the table. If it is not, loosen screw (B) a few turns and move the blade tilting mechanism until the blade is at 90 degrees to the table. Then tighten blade tilting lock handle and tighten screw (B) until it bottoms.

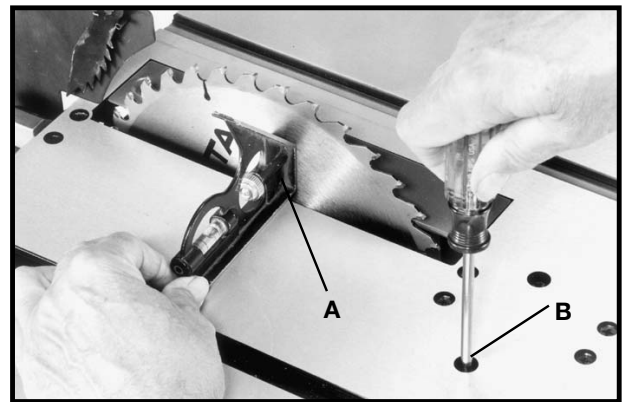


Fig. 38

TO ADJUST POSITIVE STOP AT 45 DEGREES

4. Loosen the blade tilting lock handle, move the blade tilting mechanism as far as possible to the right and tighten the blade tilting lock handle.

5. Place a square (A) Fig. 39, on the table with one end of the square against the blade as shown, and check to see if the blade is at 45 degrees to the table. If it is not, loosen screw (C) a few turns and move the blade tilting mechanism until the blade is at 45 degrees to the table. Then tighten blade tilting lock handle and tighten screw (C) until it bottoms.

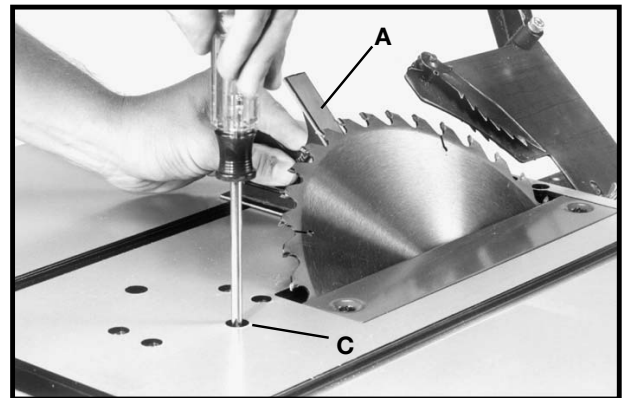


Fig. 39

RIP FENCE OPERATION AND ADJUSTMENTS

1. To move the rip fence (A) Fig. 40, along the table, lift up fence locking lever (B), slide the fence to the desired location on the table and push down fence locking lever (B) to lock the fence in position.

2. A pointer is supplied to indicate the distance the fence is positioned away from the saw blade. If an adjustment to the pointer is required, loosen the screw (C) Fig. 40, that fastens the pointer to the fence bracket and adjust the pointer accordingly. Then, tighten screw (C).

3. IMPORTANT: THE RIP FENCE MUST BE PROPERLY ALIGNED TO THE MITER GAGE SLOT IN ORDER TO HELP PREVENT KICKBACK WHEN RIPPING.

4. The saw blade is set parallel to the miter gage slot at the factory and the fence must be parallel to the miter gage slot in order to do accurate work and prevent kickback when ripping. To check the alignment:

5. Position the fence at one end of the miter gage slot. Clamp the fence to the table by pushing down the locking lever. The edge of the fence should then line up parallel with the miter gage slot.

6. If an adjustment is necessary, proceed as follows:

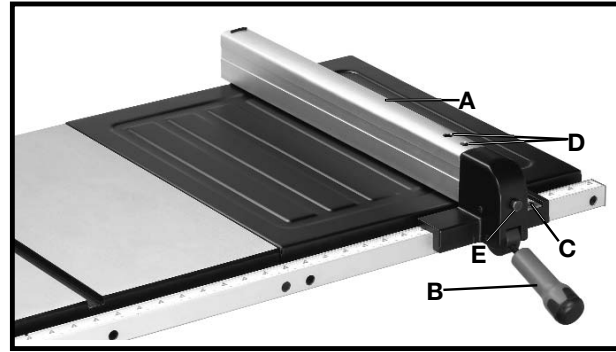


Fig. 40

7. Loosen the two 3/16 in. allen head screws (D) Fig. 40, and lift up locking lever (B). Then while holding the fence bracket firmly toward the front of the saw, move the rear end of the fence (A) until it is parallel with the miter gage slot. Then tighten two screws (D) and push down locking lever (B).

8. The clamping action of the fence (A) Fig. 40, can be adjusted by lifting up locking lever (B) and turning screw (E) clockwise to increase or counterclockwise to decrease the clamping action of the fence.

MITER GAGE OPERATION AND ADJUSTMENTS

When straight cross-cutting (blade set 90 degrees to the table) the miter gage can be used in either table slot. When bevel cross-cutting (blade tilted) only use the miter gage in the right table slot where the blade is tilted away from the miter gage and your hands.

This miter gage is equipped with individually adjustable index stops at 90 degrees and 45 degrees right and left. Adjustment to the index stops can be made by loosening lock nuts (B) Fig. 41, and tightening or loosening the three adjusting screws (C) until they contact the other end of stop pin (D) when the miter gage is at 90 and 45 degrees to the saw blade. Then, tighten lock nuts (B).

To operate the miter gage, simply loosen lock knob (E) Fig. 41, and move the body of the miter gage to the desired angle. When the stop pin (D) is pushed in, the miter gage body will stop at 90 degrees and 45 degrees right and left. To rotate the miter gage body past these points, pull out stop pin (D).

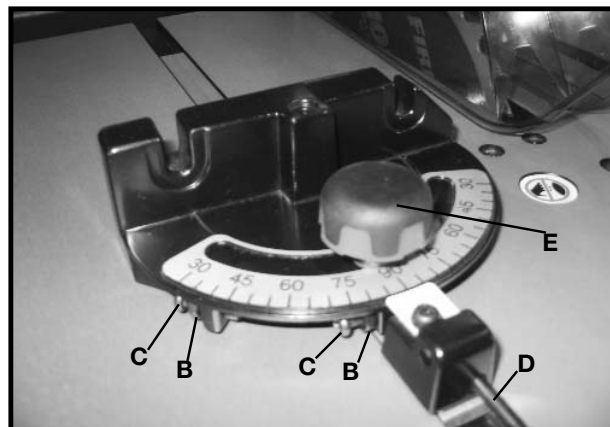


Fig. 41

ADJUSTING BLADE PARALLEL TO MITER GAGE SLOTS

The blade was adjusted parallel to the miter gage slots at the factory. In order to insure accurate cuts and help prevent kickback when cutting, this adjustment should be rechecked and if necessary, readjusted as follows:

1. **DISCONNECT MACHINE FROM POWER SOURCE.**
2. Raise the blade to its highest position and adjust the blade so it is 90 degrees to the table.
3. Select a tooth on the saw blade that is set to the left. Mark this tooth with a pencil or marker.
4. Using a combination square, place the body (A) Fig. 42, of the square against the miter gage slot and adjust the blade (B) of the square until it just touches the marked tooth, as shown.
5. Rotate the blade and check the same marked blade tooth at the rear of the saw table in the same manner, as shown in Fig. 43.
6. If the front and back measurements (Figs. 42 and 43) are not identical, you can adjust the blade. Start by loosening the nuts below the four screws (C) Fig. 44 on the table. Then loosen the screws (C). Carefully move the saw blade until the blade is parallel to the miter gauge slot. When done, tighten four nuts under the table and the four screws (C) Fig. 44 securely.

NOTE: If sufficient adjustment cannot be achieved by loosening screws (C), screws (D) may also be loosened if absolutely necessary to make the adjustment.

NOTE: Guard has been removed for illustrative purposes only.

CHANGING THE BLADE

⚠ WARNING **DISCONNECT MACHINE FROM POWER SOURCE. USE ONLY 10 in. DIAMETER SAW BLADES RATED FOR 5000 RPM OR HIGHER WITH 5/8 in. ARBOR HOLES.**

1. Raise the saw blade to its maximum height and remove the table insert (A) Fig. 45.
2. Using the open end wrench (B) Fig. 45, place open end of wrench on flats on inside blade flange to keep the saw arbor from rotating and remove arbor nut (C) with wrench (D). Turn nut (C) counterclockwise to remove. Remove outside blade flange (E) and saw blade (F).
3. Assemble new blade, making certain teeth of blade are pointing down at the front of the saw table and assemble the outside blade flange (E) Fig. 45, and arbor nut (C). Tighten nut (C) with wrench (D) by turning nut clockwise while holding arbor steady with other wrench (B).
4. Replace table insert.

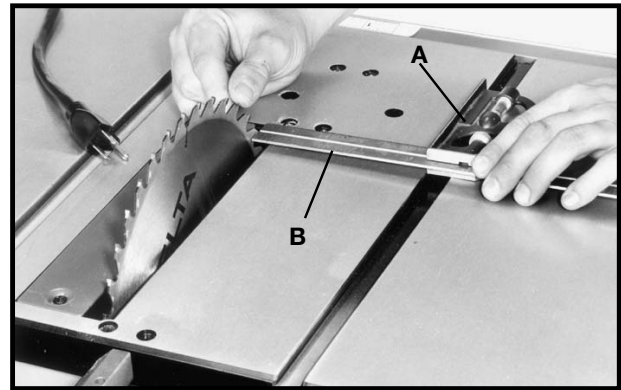


Fig. 42

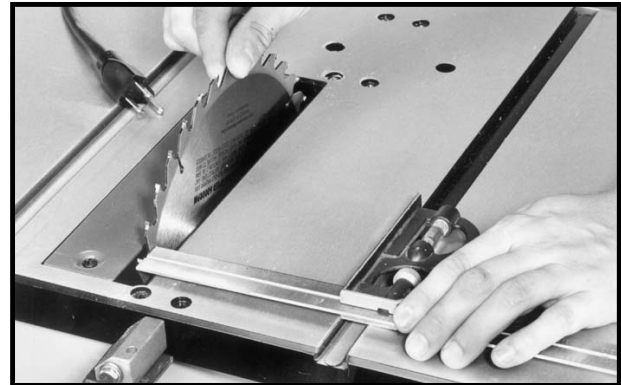


Fig. 43

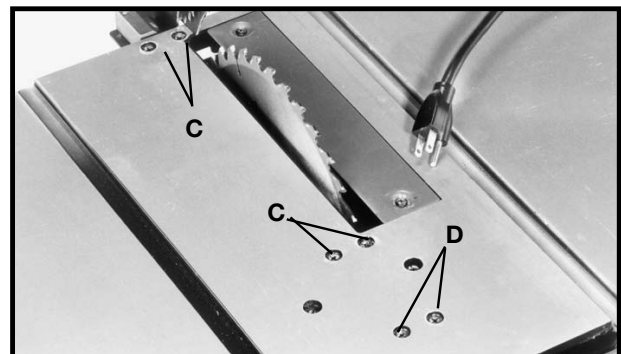


Fig. 44

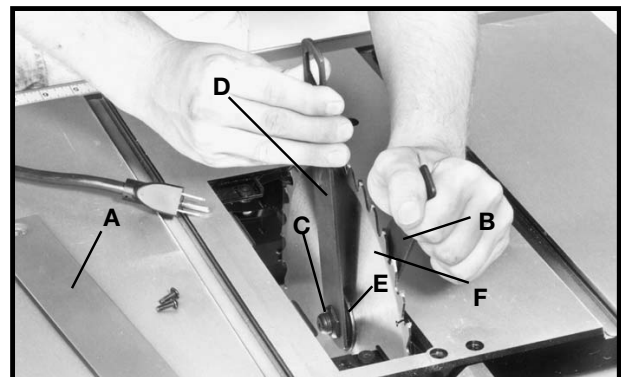


Fig. 45

COMMON SAWING OPERATIONS

Common sawing operations include ripping and crosscutting plus a few other standard operations of a fundamental nature. As with all power machines, there is a certain amount of hazard involved with the operation and use of the machine. Using the machine with the respect and caution demanded as far as safety precautions are concerned, will considerably lessen the possibility of personal injury. However, if normal safety precautions are overlooked or completely ignored, personal injury to the operator can result. The following information describes the safe and proper method for performing the most common sawing operations.

▲WARNING THE USE OF ATTACHMENTS AND ACCESSORIES NOT RECOMMENDED MAY RESULT IN THE RISK OF INJURY TO THE USER OR OTHERS.

CROSS-CUTTING

Cross-cutting requires the use of the miter gage to position and guide the work. Place the work against the miter gage and advance both the gage and work toward the saw blade, as shown in Fig. 46. The miter gage may be used in either table slot. When bevel cutting (blade tilted), use the table groove that does not cause interference of your hand or miter gage with the saw blade guard.

Start the cut slowly and hold the work firmly against the miter gage and the table. One of the rules in running a saw is that you never hang onto or touch a free piece of work. Hold the supported piece, not the free piece that is cut off. The feed in cross-cutting continues until the work is cut in two, and the miter gage and work are pulled back to the starting point. Before pulling the work back, it is good practice to give the work a little sideways shift to move the work slightly away from the saw blade. **Never** pick up any short length of free work from the table while the saw is running. **Never** touch a cut-off piece unless it is at least a foot long.

For added safety and convenience the miter gage can be fitted with an auxiliary wood-facing. This auxiliary wood-facing can be fastened to the front of the miter gage by using two wood screws through the slots (A) Fig. 45, provided in the miter gage body and into the wood-facing.

▲WARNING NEVER USE THE FENCE AS A CUT-OFF GAGE WHEN CROSS-CUTTING.

When cross-cutting a number of pieces to the same length, a block of wood (B) Fig. 46A can be clamped to the fence and used as a cut-off gage. It is important that this block of wood always be positioned in front of the saw blade as shown. Once the cut-off length is determined, secure the fence and use the miter gage to feed the work into the cut. This block of wood allows the cut-off piece to move freely along the table surface without binding between the fence and the saw blade, thereby lessening the possibility of kickback and injury to the operator.

▲CAUTION WHEN USING THE BLOCK (B) FIG. 46A, AS A CUT-OFF GAGE, IT IS VERY IMPORTANT THAT THE REAR END OF THE BLOCK BE POSITIONED SO THE WORK PIECE IS CLEAR OF THE BLOCK BEFORE IT CONTACTS THE BLADE.

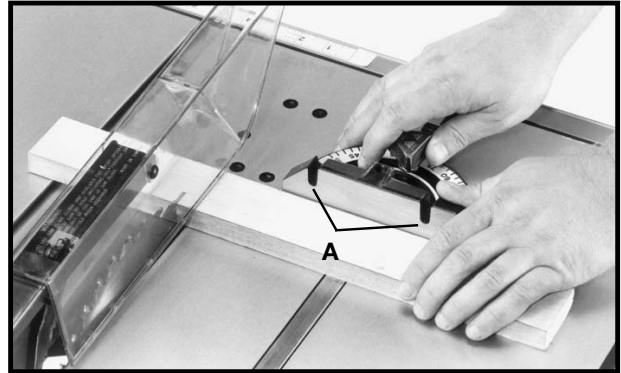


Fig. 46

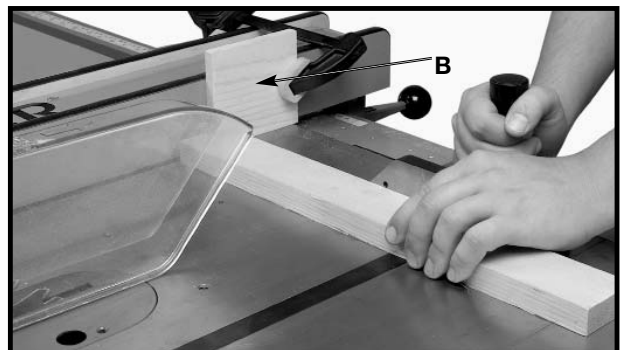


Fig. 46A

RIPPING

Ripping is cutting lengthwise through a board. The rip fence (A) Fig. 47 is used to position and guide the work. One edge of the work rides against the rip fence while the flat side of the board rests on the table. Since the work is pushed along the fence, it must have a straight edge and make solid contact with the table. The saw blade guard must be used. The guard has anti-kickback fingers to prevent kickback and a splitter to prevent the wood kerf from closing and binding the blade.

1. Start the motor and advance the work holding it down and against the fence. **Never** stand in the line of the saw cut when ripping. Hold the work with both hands and push it along the fence and into the saw blade (Fig. 48). The work can then be fed through the saw blade with one or two hands. After the work is beyond the saw blade and anti-kickback fingers, the hand is removed from the work. When this is done the work will either stay on the table, tilt up slightly and be caught by the end of the rear guard, or slide off the table to the floor. Alternately, the feed can continue to the end of the table, after which the work is lifted and brought along the outside edge of the fence. The cut-off stock remains on the table and is not touched until the saw blade has stopped, unless it is a large piece allowing safe removal. When ripping boards longer than three feet, it is recommended that outfeed support (B) Fig. 47, should be extended as far out as possible to keep workpiece from falling off the saw table.

2. If the ripped work is less than 4 inches wide, a push stick should always be used to complete the feed, as shown in Fig. 49. The push stick can easily be made from scrap material as explained in the section **“CONSTRUCTING A PUSH STICK.”**

3. Ripping narrow pieces can be dangerous if not done carefully. Narrow pieces usually cannot be cut with the guard in position. If the workpiece is short enough, use a pushboard. When ripping material under 2 inches in width, a flat pushboard is a valuable accessory since ordinary type sticks may interfere with the blade guard. When using a pushboard, the width of the pushboard must be added to the width of the rip fence position setting. A flat pushboard can be constructed as shown in Fig. 50 and should be used as shown in Fig. 48

NOTE: Some special operations require the addition of an auxiliary wood facing to the fence, as explained in the section **“USING AUXILIARY WOOD FACING ON THE RIP FENCE”** and use of a push stick.

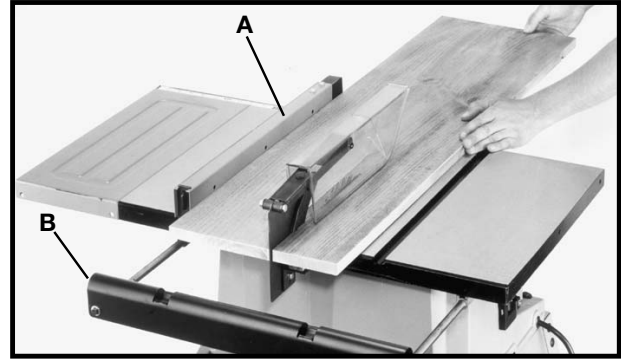


Fig. 47

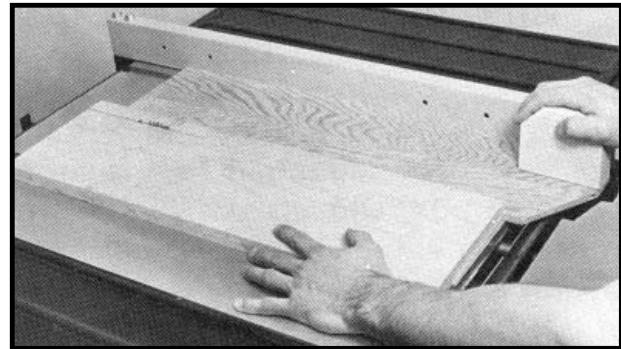


Fig. 48

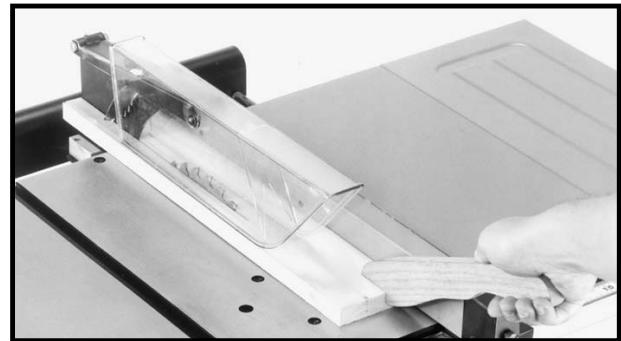


Fig. 49

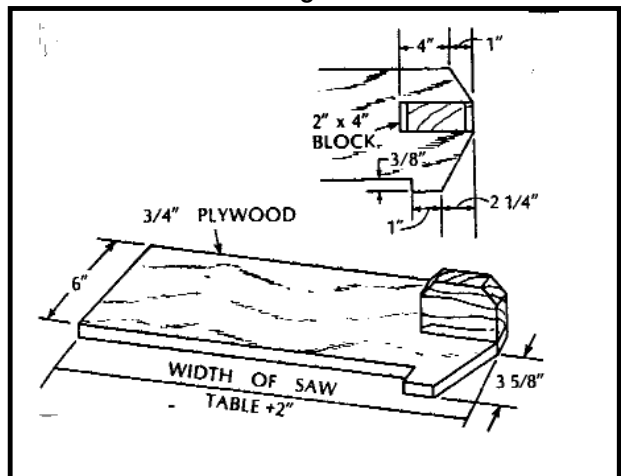


Fig. 50

USING AUXILIARY WOODFACING ON RIP FENCE

Wood facings (A) Fig. 51 are necessary on some special operations to one or both sides of the rip fence. The wood facing is attached to the fence with screws through the holes in the fence. Most work will require a 3/4 in. stock, although an occasional job may require 1 in. facing.

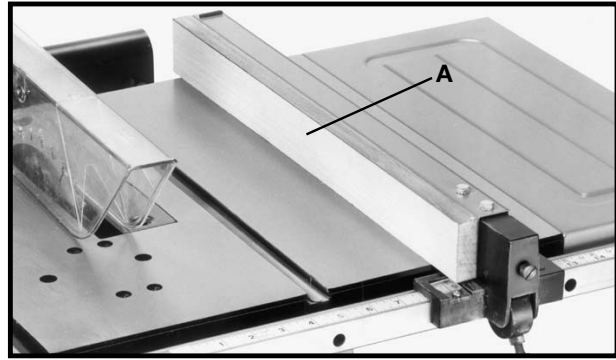


Fig. 51

ACCESSORY DADO CUTTERHEAD

NOTE: THE MAXIMUM WIDTH DADO CUT FOR THIS SAW IS 1/2 INCH.

⚠ WARNING THE BLADE GUARD AND SPLITTER ASSEMBLY CANNOT BE USED WHEN DADOING. IT MUST BE REMOVED.

Before dadoing, loosen wing nut (A) Fig. 52 and take off the blade guard and splitter assembly (B). Keep assembly handy to replace it after dadoing.

1. Dadoing is cutting a rabbet or wide groove into the work. Most dado head sets are made up of two outside saws and four or five inside cutters, (Fig. 53). Various combinations of saws and cutters are used to cut grooves from 1/8 in. to 13/16 in. for use in shelving, making joints, tenoning, grooving, etc. The cutters are heavily swaged and must be arranged so that this heavy portion falls in the gullets of the outside saws, as shown in Fig. 54. The saw and cutter overlap is shown in Fig. 55, (A) being the outside saw, (B) an inside cutter, and (C) a paper washer or washers, used as needed to control the exact width of groove. A 1/4 in. groove is cut by using the two outside saws. The teeth of the saws should be positioned so that the raker on one saw is beside the cutting teeth on the other saw.

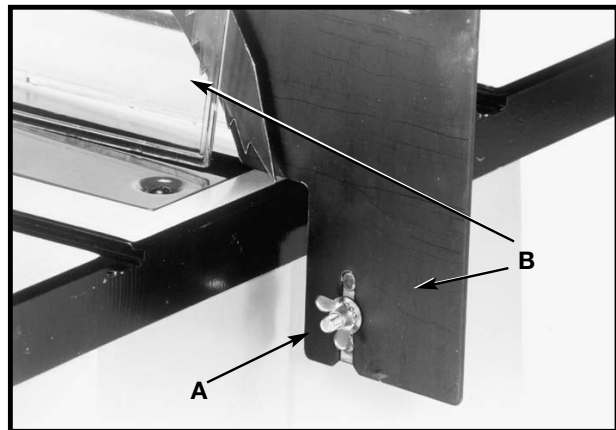


Fig. 52

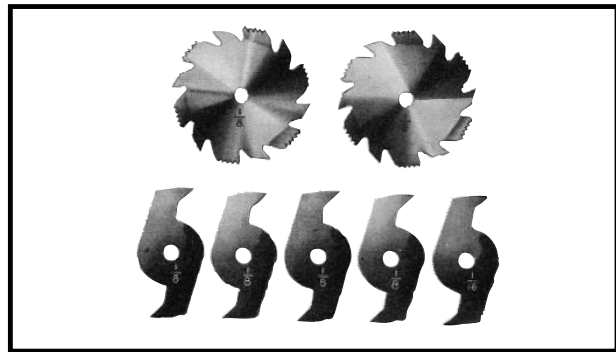


Fig. 53

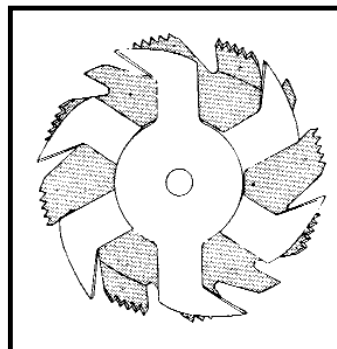


Fig. 54

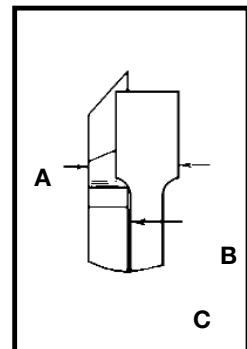


Fig. 55

2. Attach the dado head set (D) Fig. 56, to the saw arbor.

NOTE: THE OUTSIDE ARBOR FLANGE CAN NOT BE USED WITH THE DADO HEAD SET, TIGHTEN THE ARBOR NUT AGAINST THE DADO HEAD SET BODY. DO NOT LOSE THE OUTSIDE ARBOR FLANGE. IT WILL BE NEEDED WHEN REATTACHING A BLADE TO THE ARBOR.

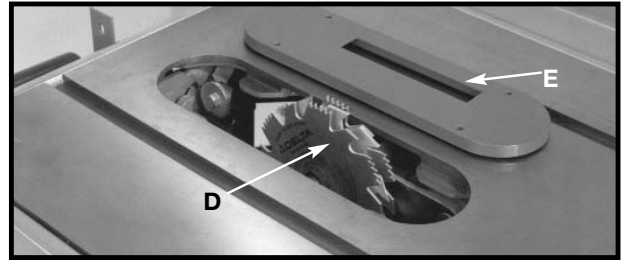


Fig. 56

▲ CAUTION THE ACCESSORY DADO HEAD SET TABLE INSERT (E) FIG. 56, MUST BE USED IN PLACE OF THE STANDARD TABLE INSERT.

▲ WARNING THE BLADE GUARD AND SPLITTER ASSEMBLY CANNOT BE USED WHEN DADOING AND MUST BE REMOVED OR SWUNG TO THE REAR OF THE SAW. AUXILIARY JIGS, FIXTURES, PUSH STICKS AND FEATHER BOARDS CAN AND SHOULD BE USED.

3. Fig. 57, shows a typical dado operation using the miter gage as a guide.

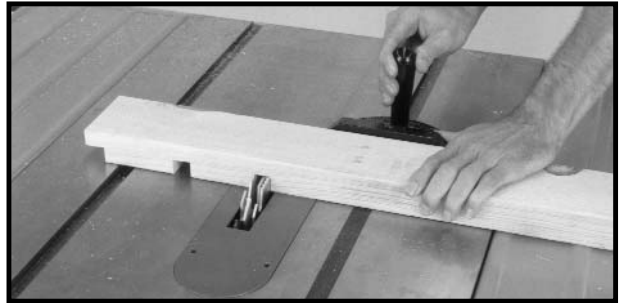


Fig. 57

▲ CAUTION NEVER USE THE DADO HEAD IN A BEVEL POSITION.

▲ WARNING ALWAYS INSTALL BLADE GUARD AFTER OPERATION IS COMPLETED.

CONSTRUCTING A FEATHERBOARD

Fig. 58, illustrates dimensions for making a typical featherboard. The material which the featherboard is constructed of, should be a straight piece of wood that is free of knots and cracks. Featherboards are used to keep the work in contact with the fence and table and help prevent kickbacks. Clamp the featherboards to the fence and table so that the leading edge of the featherboards will support the workpiece until the cut is completed. Use featherboards for all non "thru-sawing" operations where the guard and spreader assembly must be removed (see Fig. 59). Always replace the guard and spreader assembly when the non thru-sawing operation is completed.

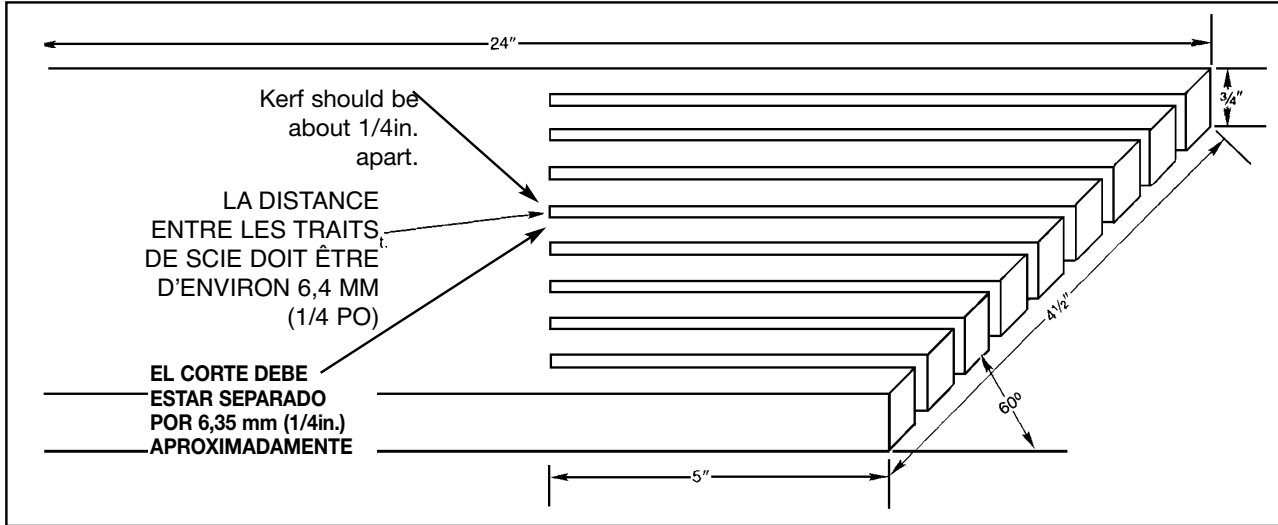


Fig. 58

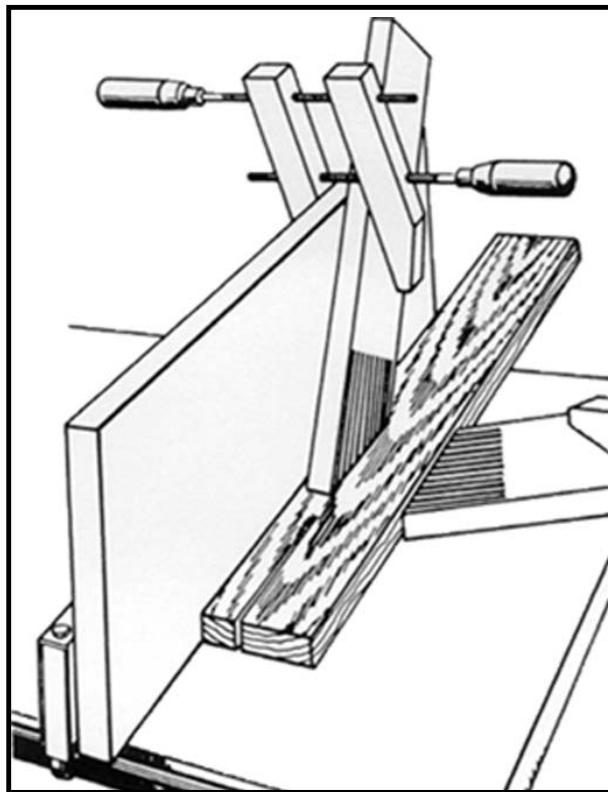


Fig. 59

TROUBLESHOOTING GUIDE

BE SURE TO FOLLOW SAFETY RULES AND INSTRUCTIONS

TROUBLE! SAW WILL NOT START

WHAT'S WRONG?

- 1.Saw not plugged in.
- 2.Fuse blown or circuit breaker tripped.
- 3.Cord damaged.
- 4.Brushes worn out.

WHAT TO DO...

- 1.Plug in saw.
- 2.Replace fuse or reset circuit breaker.
- 3.Have cord replaced by authorized service center.
- 4.Have brushes replaced by authorized service center.

TROUBLE! SAW MAKES UNSATISFACTORY CUTS

WHAT'S WRONG?

- 1.Dull blade.
- 2.Blade mounted backwards.
- 3.Gum or pitch on blade.
- 4.Incorrect blade for work being done.

WHAT TO DO...

- 1.Replace blade.
- 2.Turn blade around.
- 3.Remove blade and clean with turpentine.
- 4.Change the blade.

TROUBLE! BLADE DOES NOT COME UP TO SPEED

WHAT'S WRONG?

- 1.Extension cord too light or too long.
- 2.Low house current.

WHAT TO DO...

- 1.Replace with adequate size cord.
- 2.Contact your electric company.

TROUBLE! MACHINE VIBRATES EXCESSIVELY

WHAT'S WRONG?

- 1.Stand on uneven floor.
- 2.Damaged saw blade.

WHAT TO DO...

- 1.Reposition on flat level surface.
- 2.Replace blade.

TROUBLE! DOES NOT MAKE ACCURATE MITER CUTS

WHAT'S WRONG?

- 1.Miter scale not adjusted correctly.
- 2.Blade is not square to fence.
- 3.Blade is not perpendicular to table.
- 4.Workpiece moving.

WHAT TO DO...

- 1.Check and adjust.
- 2.Check and adjust.
- 3.Check and adjust fence.
- 4.Clamp workpiece to fence or glue 120 grit sandpaper to fence with rubber cement.

TROUBLE! MATERIAL PINCHES BLADE

WHAT'S WRONG?

- 1.Cutting bowed material.
- 2.Rip fence not parallel to blade.

WHAT TO DO...

1. Position bowed material with concave or hollow side down.
2. Realign rip fence.

TROUBLE! CANNOT LOCK BLADE INTO BEVEL POSITION

WHAT'S WRONG?

- 1.Blade tilting lock handle too loose.

WHAT TO DO...

- 1.Remove blade raising and lowering with handwheel.
2. Remove flat head screw from lock handle.
3. Tighten blade tilting lock handle. The lock handle (A) is spring-loaded and can be repositioned by pulling out on the handle (A) and repositioning it on the serrated stud located underneath the handle. NOTE: After tightening, place the handle at the one o'clock position.
4. Replace the flat head screw.

CONSTRUCTING A PUSH STICK

When ripping work less than 4 inches wide, a push stick should be used to complete the feed and could easily be made from scrap material by following the pattern shown in Fig. 60.

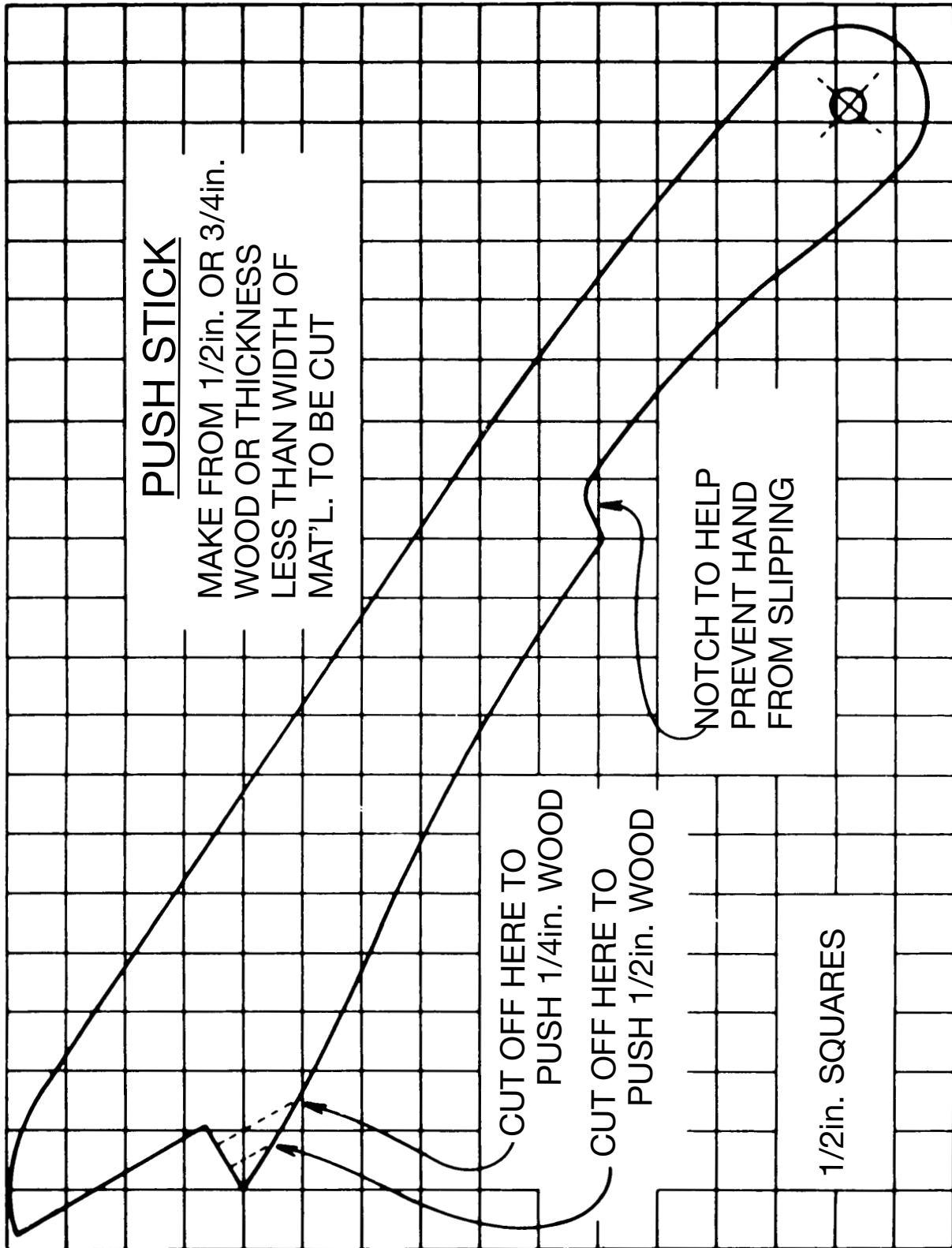


Fig. 60

ACCESSORIES

Recommended accessories for use with your tool are available from your local dealer or authorized service center. If you need assistance regarding accessories, please call: **1-800-544-6986**.

▲ WARNING

The use of any accessory not recommended for use with this tool could be hazardous..

Maintenance

Use only mild soap and damp cloth to clean the tool. Never let any liquid get inside the tool; never immerse any part of the tool into a liquid.

IMPORTANT: To assure product SAFETY and RELIABILITY, repairs, maintenance and adjustment (other than those listed in this manual) should be performed by authorized service centers or other qualified service organizations, always using identical replacement parts.

Service Information

All Black & Decker Service Centers are staffed with trained personnel to provide customers with efficient and reliable power tool service. Whether you need technical advice, repair, or genuine factory replacement parts, contact the Black & Decker location nearest you. To find your local service location, refer to the yellow page directory under "Tools—Electric" or call:

1-800-544-6986 or visit www.blackanddecker.com

Full Two-Year Home Use Warranty

Black & Decker (U.S.) Inc. warrants this product for two years against any defects in material or workmanship. The defective product will be replaced or repaired at no charge in either of two ways.

The first, which will result in exchanges only, is to return the product to the retailer from whom it was purchased (provided that the store is a participating retailer). Returns should be made within the time period of the retailer's policy for exchanges (usually 30 to 90 days after the sale). Proof of purchase may be required. Please check with the retailer for their specific return policy regarding returns that are beyond the time set for exchanges.

The second option is to take or send the product (prepaid) to a Black & Decker owned or authorized Service Center for repair or replacement at our option. Proof of purchase may be required. Black & Decker owned and authorized Service Centers are listed under "Tools-Electric" in the yellow pages of the phone directory and on our website www.blackanddecker.com.

This warranty does not apply to accessories. This warranty gives you specific legal rights and you may have other rights which vary from state to state or province to province. Should you have any questions, contact the manager of your nearest Black & Decker Service Center. This product is not intended for commercial use.

FREE WARNING LABEL REPLACEMENT: If your warning labels become illegible or are missing, call **1-800-544-6986** for a free replacement.

Special Warranty Note to Contractors:

FIRESTORM™ branded products are offered as high end consumer home use tools and carry a **HOME USE WARRANTY**. These tools are designed, manufactured and tested to meet or exceed the needs of the do-it-yourselfer in the execution of projects and repairs in and around the home. With proper use they will provide the home owner with step up power and performance well beyond their two year warranty. However, if you use tools for a living and use FIRESTORM™ branded products or any of Black & Decker's other Consumer Home Use tools **ON THE JOBSITE** you should know that they **CANNOT BE COVERED UNDER OUR WARRANTY**.

Imported by
Black & Decker (U.S.) Inc.,
701 E. Joppa Rd.
Towson, MD 21286 U.S.A.



See 'Tools-Electric'
– Yellow Pages –
for Service & Sales



FIRESTORM[®]
HIGH PERFORMANCE TOOLS

OUTILS À HAUT RENDEMENT
HERRAMIENTAS DE ALTO RENDIMIENTO

BY  **BLACK & DECKER**

SCIE À TABLE DE 254 MM (10 PO) FS210LS

MODE D'EMPLOI



MERCI D'AVOIR CHOISI FIRESTORM ! VISITEZ
WWW.FIRESTORMTOOLS.COM/PRODUCTREGISTRATION
POUR ENREGISTRER VOTRE NOUVEAU PRODUIT.

AVANT DE RETOURNER CE PRODUIT POUR QUELQUE RAISON QUE CE SOIT,
COMPOSER LE NUMÉRO
SUIVANT : 1 800 544-6986

CONSERVER CE MODE D'EMPLOI POUR UN USAGE ULTÉRIEUR.

LIGNES DIRECTRICES EN MATIÈRE DE SÉCURITÉ – DÉFINITIONS

Ce mode d'emploi contient de l'information qu'il est important de connaître et de comprendre. Cette information concerne VOTRE SÉCURITÉ et vise à ÉVITER TOUT PROBLÈME D'ÉQUIPEMENT. Pour vous aider à reconnaître ces informations, nous utilisons les symboles à droite. Veuillez lire le mode d'emploi et porter une attention accrue à ces sections.

▲ DANGER

Indique une situation dangereuse imminente qui, si elle n'est pas évitée, causera la mort ou des graves blessures.

▲ AVERTISSEMENT

Indique une situation potentiellement dangereuse qui, si elle n'est pas évitée, pourrait causer la mort ou de graves blessures.

▲ ATTENTION

Indique une situation potentiellement dangereuse qui, si elle n'est pas évitée, pourrait causer des blessures mineures ou modérées.

▲ ATTENTION

Utilisé sans le symbole d'alerte à la sécurité, indique une situation potentiellement dangereuse qui, si elle n'est pas évitée, peut se solder par des dommages à la propriété

▲ AVERTISSEMENT Certaines poussières produites par les activités de ponçage, de sciage, de meulage, de perçage et autres activités de construction peuvent contenir des produits chimiques pouvant causer le cancer, des anomalies congénitales ou d'autres problèmes liés aux fonctions reproductrices. Voici quelques exemples de ces produits chimiques :

- le plomb contenu dans les peintures à base de plomb;
- la silice cristalline de la brique, du ciment et d'autres produits de maçonnerie; et
- l'arsenic et le chrome provenant du bois traité chimiquement.

Les risques reliés à l'exposition à ces poussières varient selon la fréquence à laquelle l'utilisateur travaille avec ce type de matériaux. Pour réduire l'exposition à ces produits chimiques, travailler dans un endroit bien ventilé et porter un équipement de sécurité approuvé comme un masque antipoussières conçu spécialement pour filtrer les particules microscopiques.

- Éviter le contact prolongé avec les poussières produites par les activités de ponçage, sciage, meulage, perçage et autres activités de construction. Porter des vêtements de protection et laver les parties du corps exposées avec une solution d'eau et de savon. Le fait de laisser la poussière pénétrer dans la bouche et les yeux ou de la laisser reposer sur la peau, peut promouvoir l'absorption de produits chimiques nocifs.

▲ AVERTISSEMENT l'utilisation de cet outil peut produire et/ou propulser des poussières qui pourraient causer des problèmes respiratoires graves et permanents, ou d'autres problèmes médicaux. Toujours porter un appareil respiratoire approuvé par la NIOSH/OSHA pour se protéger de la poussière. Diriger les particules loin du visage et du corps.

▲ ATTENTION

porter une protection auditive appropriée pour utiliser l'appareil. Dans certaines conditions et selon la durée d'utilisation, le bruit provoqué par ce produit peut contribuer à une perte auditive.

RÈGLES GÉNÉRALES DE SÉCURITÉ



▲ AVERTISSEMENT LIRE ATTENTIVEMENT TOUTES LES MISES EN GARDE ET DIRECTIVES D'UTILISATION AVANT D'UTILISER CET ÉQUIPEMENT. À défaut de suivre les directives

sous-mentionnées, un choc électrique, un incendie, des dommages ou une blessure corporelle grave pourraient survenir.

DIRECTIVES DE SÉCURITÉ IMPORTANTES

Le travail du bois peut être dangereux si des procédures de sécurité et d'utilisation ne sont pas suivies. Comme avec tout équipement, l'utilisation du produit comporte certains dangers. En utilisant cette machine avec toute la prudence requise, le risque de blessures corporelles en sera considérablement réduit. Au contraire, si les mesures de sécurité normales ne sont pas respectées ou sont ignorées, l'opérateur de l'outil peut être blessé. L'utilisation d'équipement de sécurité comme des pare-mains, des poussoirs, des dispositifs d'ancrage, des planches en éventail, des lunettes de sécurité, des masques antipoussières, des protecteurs auditifs peut réduire le risque de blessure. Cependant, même la meilleure des protections ne compense pas pour un faible jugement, une imprudence ou de l'inattention. Toujours faire preuve de jugement et être prudent dans l'atelier. Si une procédure semble dangereuse, ne pas l'essayer. Rechercher une procédure alternative qui semble plus sécuritaire. **RAPPEL** : votre sécurité personnelle est de votre responsabilité.

RÈGLES GÉNÉRALES DE SÉCURITÉ

▲ AVERTISSEMENT NÉGLIGER DE SUIVRE CES RÈGLES RISQUE D'ENTRAÎNER DES BLESSURES GRAVES.

- 1. POUR SA PROPRE SÉCURITÉ, LIRE LE MODE D'EMPLOI AVANT D'UTILISER L'OUTIL.** L'apprentissage de l'utilisation de cet outil, des restrictions, et des risques qui lui sont propres réduit grandement la possibilité d'accidents et de blessures.
- 2. PORTER UNE PROTECTION OCULAIRE, TOUJOURS PORTER DES LUNETTES DE SÉCURITÉ.** Utiliser également un masque facial ou anti-poussière si l'opération de découpe génère de la poussière. Les lunettes de vue ne constituent PAS des lunettes de sécurité. **UTILISER UN ÉQUIPEMENT DE SÉCURITÉ HOMOLOGUÉ.** Votre protection oculaire doit être conforme aux normes ANSI Z87.1, vos protecteurs auditifs aux normes ANSI S3.19, et votre masque anti-poussières aux normes homologuées MSHA/NIOSH. Les éclats de bois, débris en suspension dans l'air, et poussières peuvent provoquer des irritations, blessures et/ou maladies.
- 3. PORTER LES VÊTEMENTS APPROPRIÉS.** Ne pas porter de vêtement ample, ni gant, ni cravates, ni bague, ni bracelet, ni autre bijou, car ces derniers pourraient s'enchevêtrer dans des pièces mobiles. Le port de chaussures antidérapantes est recommandé. Se couvrir les cheveux s'ils sont longs.
- 4. NE PAS UTILISER CET OUTIL DANS UN ENVIRONNEMENT DANGEREUX.** L'utilisation d'outils électriques dans des endroits humides ou mouillés ou sous la pluie peut provoquer un choc électrique ou l'électrocution. Tenir la zone de travail bien éclairée pour éviter de trébucher ou de mettre vos bras, mains et doigts en danger.
- 5. CONSERVER TOUS LES OUTILS ET MACHINES DANS LE MEILLEUR ÉTAT POSSIBLE.** S'assurer que vos outils sont aiguisés et propres afin d'optimiser sécurité et performance. Suivre les consignes de graissage et de changement d'accessoires. Les outils et machines mal entretenus peuvent s'endommager davantage et/ou provoquer des blessures.
- 6. VÉRIFIER QUE LES PIÈCES NE SONT PAS ENDOMMAGÉES.** Avant d'utiliser la machine, vérifier qu'aucune pièce n'est endommagée. Vérifier l'alignement des pièces mobiles, la présence de grippage des pièces mobiles, de bris de pièces et tout autre problème pouvant nuire au fonctionnement de l'outil. Un dispositif de protection ou toute autre pièce qui pourrait être endommagé(e) doit être réparé(e) ou remplacé(e) correctement. Les pièces endommagées peuvent contribuer à endommager davantage l'appareil et/ou provoquer des blessures.
- 7. GARDER LA ZONE DE TRAVAIL PROPRE.** Les zones et établis encombrés sont souvent des causes d'accidents.
- 8. ÉLOIGNER LES ENFANTS ET LES VISITEURS.** L'atelier représente un environnement potentiellement dangereux. Les enfants et les visiteurs peuvent être blessés.
- 9. RÉDUIRE LE RISQUE DE DÉMARRAGE ACCIDENTEL.** S'assurer que l'interrupteur se trouve sur la position d'arrêt avant de brancher le cordon d'alimentation. En cas de panne de courant, mettre l'interrupteur sur la position d'arrêt. Un démarrage accidentel peut provoquer des blessures.
- 10. UTILISATION DES DISPOSITIFS DE PROTECTION.** Vérifier que tous les dispositifs de protection sont en place, fixés, et qu'ils fonctionnent correctement afin de réduire tout risque de blessure.
- 11. RETIRER LES CLÉS ET LES CLÉS DE RÉGLAGE. AVANT LE DÉMARRAGE DE L'APPAREIL.** Des outils, chutes, et autres débris peuvent être projetés à grande vitesse, provoquant des blessures.
- 12. UTILISATION DE L'OUTIL APPROPRIÉ.** Ne pas forcer un appareil ou un accessoire pour accomplir un travail pour lequel il n'est pas conçu. Cela pourrait endommager l'appareil et/ou causer des blessures.
- 13. UTILISATION DES ACCESSOIRES RECOMMANDÉS.** L'utilisation d'accessoires non recommandés par Delta pourrait endommager l'appareil ou blesser l'utilisateur.
- 14. UTILISER LA RALLONGE APPROPRIÉE.** S'assurer que la rallonge est en bon état. En utilisant une rallonge, s'assurer d'utiliser une rallonge assez lourde pour le transport du courant nécessaire au fonctionnement du produit. Une rallonge sousdimensionnée provoquera une chute de tension menant ainsi à une perte de courant et une surchauffe. Se reporter au tableau des rallonges électriques pour connaître le calibre approprié à utiliser selon la longueur de la rallonge et l'intensité nominale de la plaque signalétique. En cas de doute, utiliser le calibre suivant le plus gros. Plus le numéro de calibre est petit, plus la rallonge est lourde.
- 15. FIXER LA PIÈCE.** Utiliser des pinces ou un étau pour maintenir la pièce lorsque c'est possible. La perte de contrôle d'une pièce peut provoquer des blessures.
- 16. ACHEMINER LA PIÈCE À CONTRE-COURANT DU SENS DE ROTATION DE LA LAME, DE LA FRAISE, OU DE LA SURFACE ABRASIVE.** En l'acheminant à contresens, la pièce sera projetée à grande vitesse.
- 17. NE PAS FORCER LA PIÈCE SUR L'APPAREIL.** Cela pourrait endommager l'appareil et/ou causer des blessures.
- 18. NE PAS TROP TENDRE LES BRAS.** Une perte d'équilibre peut vous faire tomber sur une machine en fonctionnement provoquant ainsi des blessures.
- 19. NE JAMAIS SE TENIR DEBOUT SUR L'APPAREIL.** Si l'outil bascule, ou si vous touchez accidentellement l'outil de coupe, vous pouvez être blessé.
- 20. NE JAMAIS LAISSER LA MACHINE FONCTIONNER SANS SURVEILLANCE. ÉTEINDRE L'APPAREIL.** Ne pas laisser l'appareil tant qu'il ne soit pas complètement arrêté. Un enfant ou un visiteur pourrait être blessé.
- 21. ÉTEINDRE L'APPAREIL ET COUPER LE COURANT** avant d'installer ou de retirer des accessoires, avant tout réglages ou modifications de celles-ci ou lors de réparation. Un démarrage accidentel peut provoquer des blessures.
- 22. METTRE L'ATELIER À L'ÉPREUVE DES ENFANTS AVEC DES CADENAS, DES INTERRUPTEURS PRINCIPAUX OU EN RETIRANT LES CLÉS DE DÉMARRAGE.** Le démarrage accidentel d'un appareil par un enfant ou par un visiteur peut causer des blessures.
- 23. DEMEURER VIGILANT, SURVEILLER LE TRAVAIL EFFECTUÉ, ET FAIRE PREUVE DE JUGEMENT. NE PAS UTILISER L'APPAREIL EN CAS DE FATIGUE OU SOUS L'INFLUENCE DE DROGUES, D'ALCOOL, OU DE MÉDICAMENTS.** Un moment d'inattention, en utilisant des outils électriques, peut se solder par des blessures.
- 24. PRENDRE DES MESURES PRÉVENTIVES CONTRE L'INHALATION DE POUSSIÈRES.** La poussière produite par certains bois et produits en bois peut nuire à votre santé. Toujours utiliser l'équipement dans des endroits bien aérés et veiller à le dépoussiérer correctement. Utiliser des systèmes de dépoussiérage lorsque c'est possible.

RÈGLES DE SÉCURITÉ SUPPLÉMENTAIRES POUR LES SCIES DE TABLE

⚠ AVERTISSEMENT LIRE ATTENTIVEMENT TOUTES LES MISES EN GARDE ET DIRECTIVES D'UTILISATION AVANT D'UTILISER CET ÉQUIPEMENT. À défaut de suivre les directives sous-mentionnées, un choc électrique, un incendie, des dommages ou une blessure corporelle grave pourraient survenir.

- NE PAS UTILISER CET OUTIL AVANT** qu'il ne soit assemblé et installé conformément aux instructions.
- CONSULTER LE SUPERVISEUR**, instructeur, ou autre personne qualifiée si vous n'êtes pas familiarisé avec le fonctionnement de cet outil.
- SUIVRE TOUS LES CODES DE CÂBLAGE** et les connexions électriques recommandées.
- UTILISER LES DISPOSITIFS DE PROTECTION CHAQUE FOIS QUE POSSIBLE.** Vérifier qu'ils sont bien en place et fixés et fonctionnent correctement.
- LE REBOND EST LA TENDANCE NATURELLE DE LA PIÈCE DE REVENIR VERS L'OPÉRATEUR** lorsque la pièce entre en contact pour la première fois avec la lame ou si la pièce pince la lame. L'effet de rebond est dangereux et peut se solder par de graves blessures.
POUR ÉVITER L'EFFET DE REBOND :
 - maintenir la lame affûtée et libre de rouille et de résine.
 - garder le guide longitudinal parallèle à la lame de la scie.
 - utiliser le dispositif de protection de lame et dispositif d'écartement pour toutes les opérations possibles, y compris pour tous les débitages complets.
 - pousser la pièce au-delà de la lame de scie avant de dégager.
 - ne jamais scier en long une pièce qui est tordue ou voilée, ou qui n'a pas de bord droit pour glisser le long du guide.
 - utiliser des planches en éventail lorsqu'on ne peut pas utiliser les dispositifs anti-effet de rebond.
 - ne jamais scier une grande pièce qui ne peut pas être contrôlée.
 - ne jamais utiliser le guide comme guide longitudinal pour le tronçonnage.
 - ne jamais scier une pièce avec des nœuds détachés ou autres défauts.
- TOUJOURS UTILISER DES PARE-MAINS, UN COUTEAU SÉPARATEUR ET DES DOIGTS ANTI-EFFET DE REBOND** si possible.
- DÉGAGER LA TABLE DES PIÈCES COUPÉES ET CHUTE** avant de démarrer la scie. La vibration de l'appareil pourrait les entraîner vers la lame de scie et les projeter. Après la coupe, éteindre la machine. Une fois la lame complètement immobilisée, enlever tous les débris.
- NE JAMAIS DÉMARRER L'APPAREIL** avec la pièce contre la lame.
- NE JAMAIS** acheminer la pièce entre le guide et la fraise à moudre.
- LA COUPE DE PIÈCE SANS GUIDE OU DE JAUGE À ONGLET EST CONNUE SOUS LE NOME DE COUPE « À MAINS LIBRES ».** NE JAMAIS effectuer d'opération « à mains libres ». Utiliser soit le guide ou la jauge à onglet pour positionner et guider le travail.
- TENIR SOLIDEMENT LA PIÈCE** contre la jauge à onglet ou le guide.
- LA COUPE D'UNE PIÈCE DE PART ET D'AUTRE EST CONNUE COMME UN « DÉBITAGE COMPLET ».**
Le sciage en long et le tronçonnage sont des opérations de débitage complet. La coupe dans le sens du grain (ou le long de la pièce) est un sciage en long. La coupe à contrefil (ou en sens transversal) est un tronçonnage. Utiliser un guide ou un système de guide pour le sciage en long. NE PAS utiliser un guide ou un système de guide pour le tronçonnage. Utiliser plutôt une jauge à onglet. **UTILISER UN (DES) POUSSOIR(S)** pour scier en long une pièce étroite.
- ÉVITER LES OPÉRATIONS MALADROITES ET ÉVITER DE PLACER LES MAINS À UN ENDROIT** où un glissement soudain pourrait amener la main sur la lame.
- GARDER LES BRAS, LES MAINS, ET LES DOIGTS** éloignés de la lame.
- NE JAMAIS** laisser de partie du corps dans le passage de la lame de scie.
- NE JAMAIS S'INCLINER AUTOUR** ou au-dessus de la lame de scie.
- NE JAMAIS** tenter de débloquer une lame coincée sans éteindre l'appareil au préalable.
- SOUTENIR CORRECTEMENT LES PIÈCES LONGUES OU LARGES.**
- NE JAMAIS EFFECTUER D'OPÉRATIONS DE TRAÇAGE**, d'assemblage, ou de réglage sur la table/l'espace de travail lorsque l'appareil est en marche.
- ÉTEINDRE L'APPAREIL ET COUPER LE COURANT** avant d'installer ou de retirer des accessoires, avant tout réglages ou modifications de celles-ci ou lors de réparation
- ÉTEINDRE L'APPAREIL** ET couper le courant, et nettoyer la table/l'espace de travail avant de quitter la machine. **VERROUILLER L'INTERRUPTEUR EN POSITION « D'ARRÊT »** pour éviter toute utilisation non autorisée.
- DES INFORMATIONS SUPPLÉMENTAIRES** à propos de l'utilisation sans danger et appropriée des outils électriques (p. ex. une vidéo sur la sécurité) sont disponibles auprès du Power Tool Institute, 1300 Sumner Avenue, Cleveland, OH É.-U. 44115-2851 (www.powertoolinstitute.com). Des informations sont également disponibles auprès du National Safety Council, 1121 Spring Lake Drive, Itasca, IL 60143-3201, É.-U. Se reporter à la norme ANSI O1.01 de l'American National Standards Institute concernant les machines de travail du bois, ainsi que la réglementation OSHA 1910.213 du département américain du travail.

CONSERVER CES DIRECTIVES.

Les consulter souvent et les utiliser pour donner des directives aux autres.

CONNEXIONS ÉLECTRIQUES

Un circuit électrique séparé doit être utilisé pour l'appareil. Ce circuit doit utiliser un câble de calibre 12 au minimum et doit être protégé par un fusible temporisé de 20 A. Si vous utilisez une rallonge, n'utiliser que des rallonges à 3 conducteurs et une prise correspondant à la fiche de l'appareil. Avant de brancher la machine sur le secteur, s'assurer que l'interrupteur est en position d'arrêt et veiller à ce que le courant électrique ait bien les mêmes caractéristiques que celles indiquées sur la machine. Tous les branchements doivent établir un bon contact. Si la machine fonctionne à basse tension, elle peut être endommagée.

⚠ DANGER RISQUE DE CHOC ÉLECTRIQUE. NE PAS EXPOSER L'APPAREIL À LA PLUIE NI L'UTILISER DANS UN ENDROIT HUMIDE.

CARACTÉRISTIQUES TECHNIQUES DU MOTEUR

L'appareil est conçu pour être alimenté par un courant alternatif de 120 volts et 60 Hz. Avant de brancher l'appareil à la source d'alimentation, s'assurer que l'interrupteur est en position d'arrêt.

DIRECTIVES DE MISE À LA TERRE

⚠ DANGER RISQUE DE CHOC ÉLECTRIQUE. CET APPAREIL DOIT ÊTRE MIS À LA TERRE LORS DE SON UTILISATION AFIN DE PROTÉGER L'UTILISATEUR CONTRE TOUT CHOC ÉLECTRIQUE.

1. Pour tous les appareils mis à la terre, branchés à un cordon d'alimentation :

En cas de défaillance ou de panne, la mise à la terre permet un cheminement de moindre résistance pour le courant électrique afin de réduire le risque de choc électrique. Cette machine est munie d'un cordon d'alimentation doté d'un conducteur de mise à la terre d'équipement et d'une fiche de mise à la terre. La fiche doit être branchée sur une prise de courant correspondante qui est installée et mise à la terre conformément à tous les codes et à toutes les ordonnances à l'échelle locale.

Ne pas modifier la fiche fournie; si elle ne s'insère pas dans la prise de courant, faire installer une prise appropriée par un électricien professionnel.

Si le conducteur de mise à la terre d'équipement n'est pas correctement connecté, ceci peut provoquer un choc électrique. Le conducteur de mise à la terre d'équipement est le conducteur avec isolation qui a une surface extérieure verte avec ou sans rayures jaunes. S'il est nécessaire de faire réparer ou remplacer le cordon électrique ou la fiche, ne pas connecter le conducteur de mise à la terre d'équipement à une borne sous tension.

Vérifier auprès d'un électricien ou d'un personnel de réparation professionnels si les directives de mise à la terre ne sont pas parfaitement comprises, ou en cas de doute sur le fait que la machine soit correctement mise à la terre ou non.

Utiliser uniquement une rallonge à 3 fils pourvue d'une fiche de mise à la terre à 3 lames et une prise à 3 conducteurs correspondant à la fiche de la machine, comme le montre la fig. A.

Réparer ou remplacer immédiatement le cordon s'il est endommagé ou usé.

2. Pour les machines mises à la terre et branchées à un cordon d'alimentation utilisées sur un circuit d'alimentation de régime nominal inférieur à 150 V :

Si la machine est utilisée sur un circuit dont la prise de courant ressemble à celle de la fig. A, la machine aura alors une fiche de mise à la terre semblable à celle de la fig. A. Un adaptateur temporaire, qui ressemble à celui de la fig. B, peut être utilisé pour connecter cette fiche à une prise à 2 conducteurs, comme le montre la fig. B, s'il n'existe aucune prise de courant correctement mise à la terre. L'adaptateur temporaire ne doit être utilisé que jusqu'à ce qu'un électricien qualifié puisse installer une prise électrique correctement mise à la terre. La patte rigide verte, la cosse et tout élément semblable sortant de l'adaptateur doivent être correctement branchés à une masse permanente comme une boîte de sortie mise à la terre. Chaque fois que l'adaptateur est utilisé, il doit être maintenu en place par une vis métallique.

REMARQUE : au Canada, l'utilisation d'un adaptateur temporaire n'est pas autorisée par le Code électrique canadien.

⚠ DANGER DANS TOUS LES CAS, S'ASSURER QUE LA PRISE DE COURANT EN QUESTION EST CORRECTEMENT MISE À LA TERRE. EN CAS DE DOUTE, DEMANDER À UN ÉLECTRICIEN PROFESSIONNEL DE VÉRIFIER LA PRISE.

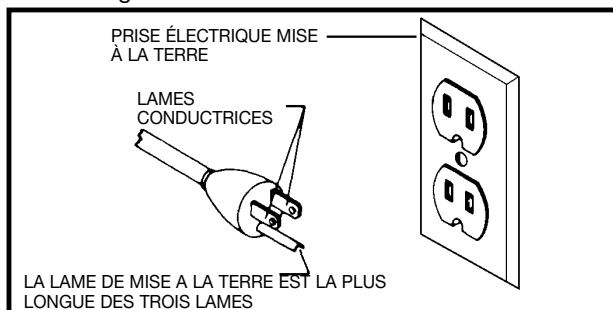


Fig. A

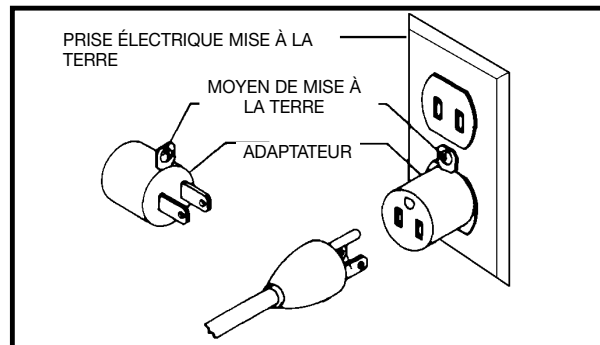


Fig. B

RALLONGES

ATTENTION Utiliser les rallonges appropriées S'assurer que la rallonge est en bon état et qu'il s'agit d'une rallonge à 3 fils avec une fiche de mise à la terre à 3 broches et prise de courant compatible avec la fiche de l'appareil. Lorsque qu'une rallonge est utilisée, s'assurer d'en utiliser une de calibre suffisamment élevé pour assurer le transport du courant de l'appareil. Une rallonge sousdimensionnée provoquera une chute de tension menant ainsi à une perte de puissance et une surchauffe. Fig. C montre le calibre correct à utiliser selon la longueur de la rallonge. En cas de doute, utiliser le calibre suivant le plus gros. Plus le numéro de calibre est petit, plus le cordon est lourd.

RALLONGE DE CALIBRE MINIMUM			
CALIBRES RECOMMANDÉS POUR UNE UTILISATION AVEC DES MACHINES ÉLECTRIQUES D'ÉTABLI			
Intensité nominale	Volts	Longueur totale du cordon en pieds	Calibre de la rallonge
0-6	120	jusqu'à 25	18 AWG
0-6	120	25-50	16 AWG
0-6	120	50-100	16 AWG
0-6	120	100-150	14 AWG
6-10	120	jusqu'à 25	18 AWG
6-10	120	25-50	16 AWG
6-10	120	50-100	14 AWG
6-10	120	100-150	12 AWG
10-12	120	jusqu'à 25	16 AWG
10-12	120	25-50	16 AWG
10-12	120	50-100	14 AWG
10-12	120	100-150	12 AWG
12-16	120	jusqu'à 25	14 AWG
12-16	120	25-50	12 AWG
12-16	120	SUPÉRIEURE À 50 PIEDS NON RECOMMANDÉE	

Fig. C

DESCRIPTION FONCTIONNELLE

AVANT-PROPOS

Le modèle FS210LS de Delta dispose d'une scie haute capacité à un prix abordable. Il également comporte une table extra-large en aluminium de 52 x 104 cm (17 x 34 po) avec rallonges et est doté d'un moteur de 15 ampères de type industriel avec arbre de renvoi flottant : le plus puissant de sa catégorie. La scie de table est conçue pour vous offrir une performance de haute qualité avec une profondeur de coupe jusqu'à 76 mm (3 po) à 90°, et 63,5 mm (2,5 po) à 45°, pour une coupe nette des pièces de dimension standard. L'ensemble comprend la scie, un socle en métal, un guide longitudinal, un guide d'onglet, un protège-lame transparent avec couteau séparateur et doigts antirecul, des rallonges de table, une lame de scie de 254 mm (10 po), un insert de table et des clés pour la lame.

DÉSEMBALLAGE ET NETTOYAGE

Désemballer soigneusement la machine et toutes les pièces de ou des emballages d'expédition. Retirer le revêtement protecteur de toutes les surfaces non peintes. Le revêtement peut être retiré avec un chiffon doux humidifié avec du kérosène (ne pas utiliser d'acétone, d'essence ou de diluant à laque). Après le nettoyage, couvrir les surfaces non peintes d'une cire à parquets d'usage domestique de bonne qualité.

AVIS : LA PHOTO DE LA COUVERTURE DU MODE D'EMPLOI ILLUSTRE LE MODÈLE DE PRODUCTION ACTUEL. LES AUTRES ILLUSTRATIONS DE CE MODE D'EMPLOI NE SONT PRÉSENTES QU'À TITRE INDICATIF ET IL EST POSSIBLE QUE LA COULEUR, LES ÉTIQUETTES, OU LES ACCESSOIRES, QUI ONT UNIQUEMENT POUR BUT D'ILLUSTRER LA TECHNIQUE, DIFFÉRENT DES CARACTÉRISTIQUES RÉELLES DE CE MODÈLE.

ASSEMBLAGE

OUTILS NÉCESSAIRES POUR L'ASSEMBLAGE

- 1.) Clé ajustable
- 2.) Clé de 13 mm pour les boulons du socle.
- 3.) Clé de 10 mm pour les boulons de l'ensemble du couteau séparateur, l'ensemble des traverses arrières et de l'ensemble des rallonges de table.
- 4.) Tournevis à fente.
- 6.) Tournevis cruciforme.
- 5.) Règle droite et/ou équerre de charpente pour les réglages.

DURÉE ESTIMÉE POUR L'ASSEMBLAGE

2 heures

PIÈCES DE LA SCIE DE TABLE

- 1- Scie
- 2- Rallonge gauche
- 3- (3) vis à tête hexagonale de 6,4 mm - 20 x 25,4 mm (1/4 po - 20 x 1 po) pour la rallonge gauche
- 4- (6) rondelles plates de 6,4 mm (1/4 po) pour la rallonge gauche
- 5- (3) rondelles de blocage de 6,4 mm (1/4 po) pour la rallonge gauche
- 6- (3) écrous hexagonaux de 6,4 mm (1/4 po) - 20 pour la rallonge gauche
- 7- Rallonge droite
- 8- (3) vis à tête hexagonale de 6,4 mm - 20 x 15,8 mm (1/4 po - 20 x 5/8 po) pour la rallonge droite
- 9- (3) rondelles plates de 6,4 mm (1/4 po) pour la rallonge droite
- 10- (3) rondelles de blocage de 6,4 mm (1/4 po) pour la rallonge droite

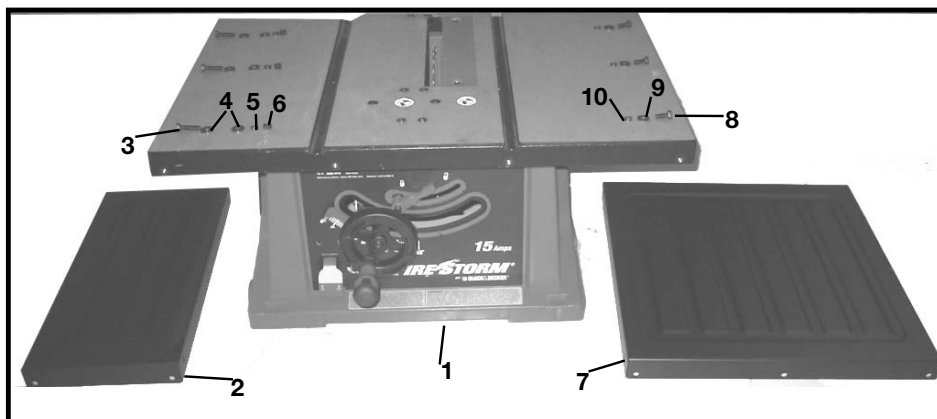


Fig. 1

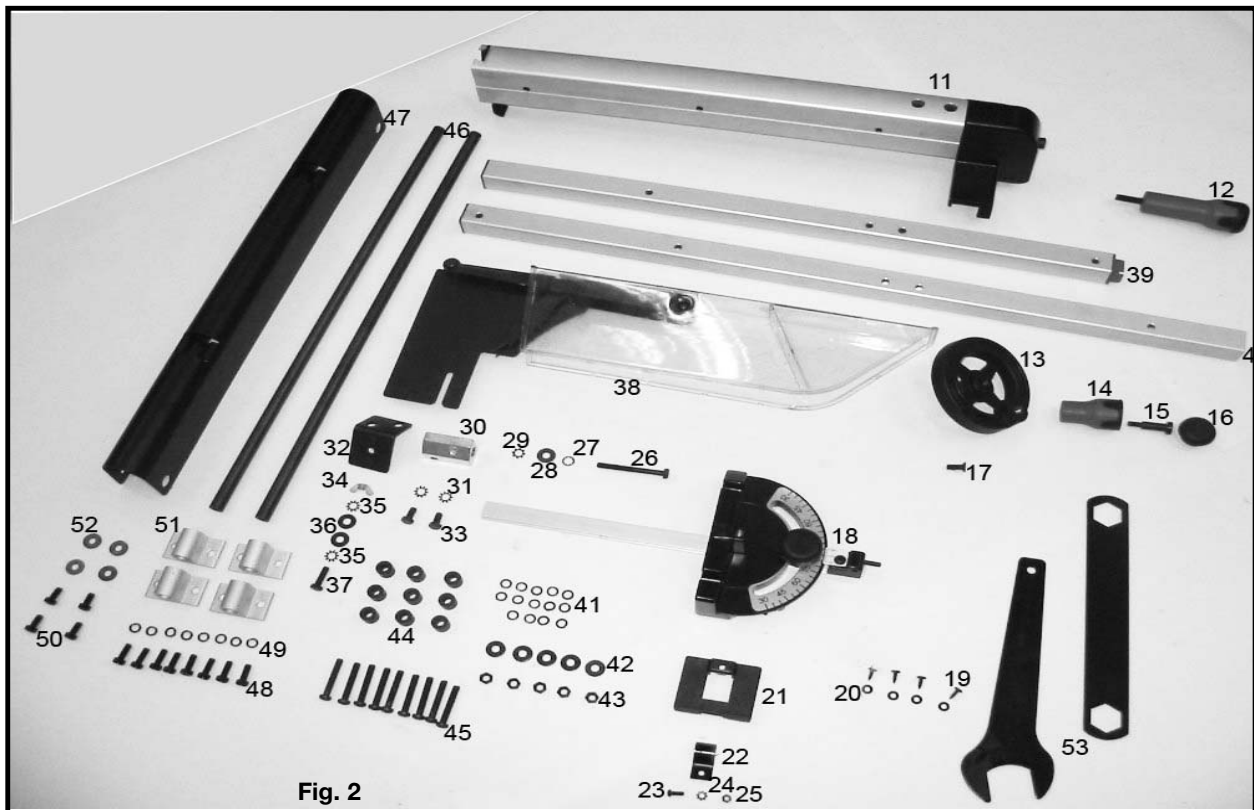


Fig. 2

PIÈCE DU GUIDE LONGITUDINAL (11,12)

- 11- Guide longitudinal
- 12- Poignée de verrouillage du guide longitudinal

PIÈCES DU VOLANT DE RELEVEMENT DE LA LAME (13,14,15,16,17)

- 13- Volant d'abaissement et de relèvement de la lame
- 14- Poignée du volant d'abaissement et de relèvement de la lame
- 15- Vis pour l'assemblage de la poignée du volant
- 16- Capuchon pour poignée
- 17- Vis à tête plate M6X1X12 m pour l'assemblage du Volant d'abaissement et de relèvement de la lame
- 18- Guide d'onglet

PIÈCES DU PORTE-GUIDE D'ONGLET

- (19,20,21,22,23,24,25)
- 19- (4) vis d'assemblage à tête cylindrique à dépouille M4,2X10 mm pour l'assemblage du porte-guide d'onglet
- 20- (4) rondelles de blocage pour l'assemblage du porte-guide d'onglet
- 21- Porte-guide d'onglet
- Attache à ressort du porte-guide d'onglet
- 23- Vis à tête cylindrique à dépouille M4X0,7X10 mm pour le porte-guide d'onglet
- 24- Rondelle à denture extérieure de 4,8 mm (3/16 po) pour le porte-guide d'onglet
- 25- Écrou hexagonal M4X0,7 mm pour le porte-guide d'onglet

PIÈCES DU SUPPORT DU COUPEAU SÉPARATEUR

- (26,27,28,29,30,31,32,33,34,35,36,37)
- 26- Vis à tête hexagonale longue de 6,4 mm - 20 x 57,2 mm (1/4 po - 20 x 2 1/4 po) pour l'assemblage du support du couteau séparateur
- 27- Rondelle à denture intérieure de 6,4 mm (1/4 po) pour l'assemblage du support du couteau séparateur
- 28- Rondelle plate de 6,4 mm (1/4 po) pour l'assemblage du support du couteau séparateur
- 29- Rondelle à denture extérieure de 6,4 mm (1/4 po) pour l'assemblage du support du couteau séparateur
- 30- Support du couteau séparateur

- 31- (2) rondelles à denture extérieure de 6,4 mm (1/4 po) pour le support du couteau séparateur
- 32- Support du couteau séparateur
- 33- (2) vis à tête hexagonale de 6,4 mm - 20 x 12,7 mm (1/4 po - 20 x 1/2 po)
- 34- Écrou papillon pour l'assemblage du support du couteau séparateur
- 35- (2) rondelles à denture extérieure de 6,4 mm (1/4 po) pour le support du couteau séparateur
- 36- (2) rondelles plates de 6,4 mm (1/4 po) pour l'assemblage du support du couteau séparateur
- 37- Vis à tête hexagonale M6X1X20 mm pour l'assemblage du support du couteau séparateur
- 38- Ensemble du couteau séparateur et protège-lame
- 39- Barre de guidage gauche du guide
- 40- Barre de guidage droite du guide

PIÈCES DES BARRES DE GUIDAGE DU GUIDE

- (41,42,43,44,45)
- 41- (14) rondelles de blocage M6 pour l'assemblage de la barre de guidage du guide longitudinal
- 42- (5) rondelles plates de 6,4 mm (1/4 po) pour l'assemblage de la barre de guidage du guide longitudinal
- 43- (5) écrous hexagonaux de 6,4 mm (1/4 po) - 20 pour l'assemblage de la barre de guidage du guide longitudinal
- 44- (9) cales pour l'assemblage du guide longitudinal
- 45- (9) vis à tête ronde de 6,4 mm - 20 x 31,2 mm (1/4 po - 20 x 1 1/4 po) pour l'assemblage de la barre de guidage du guide longitudinal

PIÈCES DE L'APPUI ARRIÈRE (46,47,48,49,50,51,52)

- 46- (2) tiges pour la traverse arrière
- 47- Traverse arrière
- 48- (8) vis à tête hexagonale M6X1X15 mm cruciforme pour les traverses
- 49- (8) rondelles de blocage M6 pour l'assemblage des traverses
- 50- (4) vis à tête hexagonale de 6,4 mm - 20 x 12,7 mm (1/4 po - 20 x 1/2 po) pour les tiges
- 51- (4) traverses
- 52- (4) rondelles plates pour
- 53- Clés pour les changements de lame

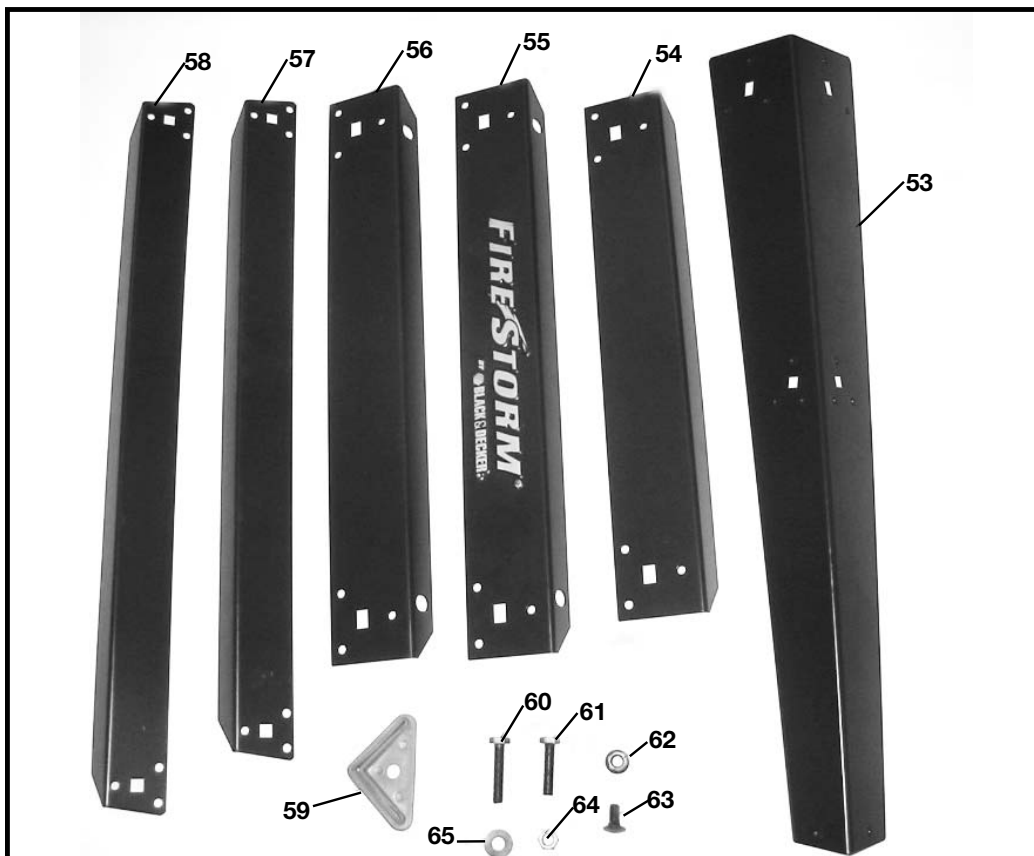


Fig. 3

PIÈCES DU SOCLE

53- (4) pattes

54- (2) traverses supérieures latérales

55- Traverse supérieure avant

56- Traverse supérieure arrière

57- (2) traverses inférieures latérales

58- (2) traverses inférieures avant

59- (4) pieds

60- (2) vis à tête hexagonale M8X1,25X45 mm pour patte et base

61- (2) vis à tête hexagonale M8X1,25X30 mm pour patte et base

62- (16) écrous hexagonaux à embase de 7,9 mm (5/16 po)

63- (16) boulons de carrosserie de 7,9 mm (5/16 po)

64- (4) écrous hexagonaux M8

65- (8) rondelles plates M8

⚠ AVERTISSEMENT POUR VOTRE PROPRE SÉCURITÉ, NE PAS BRANCHER L'APPAREIL À UNE SOURCE D'ALIMENTATION JUSQU'À CE QU'IL SOIT ENTIÈREMENT ASSEMBLÉ. Ne pas utiliser le présent appareil avant d'avoir lu et compris le mode d'emploi dans son intégralité.

PORTE-GUIDE D'ONGLET

▲ AVERTISSEMENT DÉBRANCHER L'APPAREIL DE LA SOURCE D'ALIMENTATION.

1. Assembler l'attache à ressort (E) fig. 4, au porte-guide d'onglet (A) comme indiqué avec une vis cylindrique à dépouille (F) M4x0,7x10 mm, un contre-écrou 4,8 mm (3/16 po) et un écrou hexagonal M4x0,7. **NOTE** : l'écrou hexagonale (G) fig. 5, s'ajustera dans le retrait à l'arrière du porte-guide d'onglet (A) pour fixer solidement l'attache à ressort (E) fig. 4, au porte-guide d'onglet.
2. Assembler le porte-guide d'onglet (A) fig. 6, au côté gauche de l'armoire de la scie à l'aide de vis à tête cylindrique à dépouille (B) fig. 7 et de rondelles (C) de 4,8 mm (3/16 po) à partir de l'intérieur de l'armoire.
3. Fig. 8 illustre le guide d'onglet (D) inséré dans le porte-guide d'onglet lorsque inutilisé.

ASSEMBLAGE DU SOCLE

1. Les pattes du socle comportent des saillies qui s'aligneront avec les trous dans les traverses supérieures et inférieures. Assembler le socle comme l'illustre la fig. 9A, à l'aide de 16 boulons de carrosserie et écrous hexagonaux à embase. Ne pas serrer complètement la boulonnerie pour le moment.
 - A- Traverse supérieure avant (avec le logo)
 - B- Traverse supérieure arrière
 - C- Traverses inférieures latérales
 - D- Traverses inférieures avant et arrière
 - E- Traverses supérieures latérales
 - F- Pied

IMPORTANT : les traverses supérieures, avant et arrière (A et B) fig. 9A, sont plus longues que les traverses supérieures latérales (E) fig. 9A. Les traverses inférieures avant et arrière (D) fig. 9A, sont plus longues que les traverses inférieures latérales (C).

2. Assembler les pieds en caoutchouc (F) fig. 9A. **REMARQUE** : chaque pied de caoutchouc est doté de trous pour fixer le socle au plancher si nécessaire..

RACCORD DU SAC À POUSSIÈRE

1. Fixer le sac à poussière à sa structure puis insérer celle-ci dans le socle de la scie comme indiqué à la fig. 9B. Se reporter à la rubrique ci-dessous pour fixer l'ensemble du sac à la scie.

FIXATION DE LA SCIE SUR LE SOCLE

1. Tourner la table de la scie face en bas sur un morceau de carton pour protéger la surface de la table. Placer le socle tête en bas sur la scie et aligner les quatre trous du socle avec les trous de montage de la scie.
2. Utiliser les deux plus longues vis pour l'avant, enfiler une rondelle plate M8 sur la vis à tête hexagonale M8x1,25x45 mm. Insérer la vis à tête hexagonale dans le trou de montage de la scie et dans le trou de montage du socle. Placer une autre rondelle plate M8 sur la vis à tête hexagonale et enfiler un écrou hexagonal M8x1,25 sur la vis puis visser sans serrer trop fort. Répéter l'assemblage pour l'autre trou de l'avant de la scie.

Utiliser les deux vis les plus courtes pour l'arrière, enfiler une rondelle plate M8 sur une vis à tête hexagonale M8x1,25x30 mm à l'arrière de la scie. Insérer la vis à tête hexagonale dans le trou de montage de la scie et dans le trou de montage du socle. Placer une autre rondelle plate M8 sur la vis à tête hexagonale et enfiler un écrou hexagonal M8x1,25 sur la vis puis visser sans serrer trop fort. Répéter l'assemblage pour l'autre trou à l'arrière de la scie.

3. Puis remettre la scie de table sur ses pieds comme illustrée à la fig. 9C (la scie est illustrée ici entièrement assemblée).
4. Pousser sur le dessus de la scie pour que les pattes du socle s'ajustent à la surface du plancher puis serrer toute la boulonnerie du socle et la boulonnerie de fixation de la scie au socle.

ASSEMBLAGE DE LA LAME VOLANT d'abaissement et de RELÈVEMENT

1. Insérer la vis spéciale (C) dans la poignée (B) fig. 10 puis visser la vis en sens horaire pour assembler la poignée sur le volant (A). Puis enfoncer le capuchon de la poignée (D).

2. La fig. 11 illustre la poignée (B) assemblée sur le volant (A).
3. Assembler le volant (A) fig. 12, sur l'arbre (B) tout en s'assurant que le méplat de l'intérieur du volant s'aligne avec le méplat de l'arbre.
4. Fixer le volant (A) fig. 13, à l'arbre (B) fig. 12, avec une vis à tête plate M6x1x12 mm (C) fig. 13.

ENSEMBLE DE PROTÈGE-LAME ET COUTEAU SÉPARATEUR

⚠ AVERTISSEMENT DÉBRANCHER L'APPAREIL DE LA SOURCE D'ALIMENTATION.

1. IMPORTANT : POUR EMPÊCHER TOUT REBOND OU RECUL, L'ENSEMBLE DU PROTÈGE-LAME ET COUTEAU SÉPARATEUR DOIT ÊTRE CORRECTEMENT ALIGNÉ AVEC LA LAME DE LA SCIE.

2. Positionner la lame à angle droit (90°) par rapport à la table puis la verrouiller en place. Consulter la page 42 « Commande d'abaissement et de relèvement de la lame » et la page 42 « Commande d'inclinaison de la lame ».
3. Fixer le support du couteau séparateur (A) fig. 14, au support du couteau (B) à l'aide de deux vis à tête hexagonale 6,4 mm - 20 x 12,7 mm (1/4 po - 20 x 1/2 po) (C) et deux rondelles à denture extérieure de 6,4 mm (1/4 po) comme illustré. **REMARQUE : ne pas serrer complètement les vis (C) à ce moment.**
4. Localiser la vis à tête hexagonale 6,4 mm - 20 x 57,2 mm (1/4 po - 20 x 2 1/4 po) (G) fig. 15, et enfiler une rondelle à denture intérieure (O) de 6,4 mm (1/4 po), une rondelle plate (P) de 6,4 mm (1/4 po) et une rondelle à denture extérieure (R) de 6,4 mm (1/4 po) sur la vis (G).
5. Positionner l'extrémité en retrait (E) fig. 16, du support du couteau séparateur (B) contre l'extrémité de la tige pivot (F) puis la fixer en utilisant l'assemblage de l'ÉTAPE 4 ci-dessus. **REMARQUE : ne pas serrer complètement la vis (G) à ce moment.** Ensemble illustré à la fig. 17.
6. Positionner le couteau séparateur (H) fig. 18, sur le support comme indiqué tout en s'assurant que les deux saillies (K) du support sont à l'intérieur de la rainure du couteau séparateur (H).
7. Assembler le couteau séparateur (H) fig. 19, au support (B) comme indiqué à l'aide d'une vis à tête hexagonale M6x1x20 mm (L), d'une rondelle à denture extérieure de 6,4 mm (1/4 po) et une rondelle plate de 6,4 mm (1/4 po).
8. Fixer le couteau séparateur (H) fig. 20, au support avec une rondelle plate de 6,4 mm (1/4 po), une rondelle à denture extérieure de 6,4 mm (1/4 po) et un écrou papillon M6 (M). **REMARQUE :** Avant de serrer l'écrou papillon (M), s'assurer d'avoir un jeu d'au moins 3,2 mm (1/8 po) entre le bord inférieur du couteau séparateur (N) et la surface supérieure de la table (P) et que les saillies de type « goujons » (K) 15, soient à l'intérieur de la rainure de l'assemblage du couteau séparateur (H).
9. Utiliser une règle droite pour voir si le couteau séparateur (H) Fig. 21, est aligné avec la lame de la scie (R). Si un réglage est nécessaire, il est possible de déplacer et de tourner le couteau séparateur (H) vers la droite ou la gauche.
10. Lorsque le couteau séparateur est correctement aligné avec la lame de la scie, serrer les deux vis (C) fig. 22, qui fixent le support du couteau séparateur et serrer la vis (G) qui fixe le support du couteau séparateur à la tige pivot.

RALLONGES

1. Assembler la rallonge gauche (fig. 23) à la table de la scie avec trois vis à tête hexagonale 6,4 mm - 20 x 25,4 mm (1/4 po - 20 x 1 po), six rondelles plates de 6,4 mm (1/4 po), trois contre-écrous et trois écrous hexagonaux.
2. Assembler la rallonge droite aux trous filetés de la scie à l'aide de trois vis à tête hexagonale 6,4 mm - 20 x 15,8 mm (1/4 po - 20 x 5/8 po), trois rondelles plates de 6,4 mm (1/4 po) et trois contre-écrous de 6,4 mm (1/4 po).
3. À l'aide d'une règle droite, s'assurer que les bords supérieurs, avant et arrière des rallonges sont à niveau avec la table de la scie avant de serrer les trois vis qui fixe solidement les rallonges à la table.

ASSEMBLAGE DE LA BARRE DE GUIDAGE À LA SCIE DE TABLE

1. Tenir la barre de guidage avec les grands trous face à vous. Serrer lâchement les barres de guidage (A) fig. 24, au quatre trous filetés (B) de la table de la scie (C) avec deux longues vis (D) de 6,4 mm - 20 x 31,2 mm (1/4 po - 20 x 1 1/4 po) (D), des contre-écrous (E) et des cales (F).

IMPORTANT : les cales (F) fig. 24, sont insérées entre les barres de guidage (A) et la table de la scie (C).

2. Fixer les barres de guidage (A) fig. 24, aux rallonges (G) par les trous (K) avec la longue vis (D) de 6,4 mm - 20 x 31,2 mm (1/4 po - 20 x 1 1/4 po), un contre-écrou (E) de 6,4 mm (1/4 po), une cale (F), une rondelle plate (H) de 6,4 mm (1/4 po), un contre-écrou (E) de 6,4 mm (1/4 po) et un écrou hexagonal (J) de 6,4 mm (1/4 po) - 20 puis serrer toute la visserie d'assemblage de la barre de guidage.

IMPORTANT : la cale (F) fig. 24, est insérée entre les barres de guidage (A) et les rallonges (G).

3. La fig. 25 illustre les barres de guidage correctement assemblées à la table de la scie et aux rallonges.

GUIDE LONGITUDINAL

1. Enrosque la M8x1.25 tuerca de cierre (A) Fig. 26 aproximadamente a la mitad del camino sobre el gorrón de la agarradera (B).

2. Enrosque la tuerca de cierre (B) Fig. 26 dentro del agujero roscado (C) en la leva de la guía (D). Apriete la tuerca de cierre (A) Fig. 26 contra la leva (D).

3. Le guide longitudinal est généralement utilisé sur le côté droit de la table de la scie. Soulever la poignée (B) et positionner le guide sur la table. Abaisser la poignée (B) pour verrouiller le guide en place sur la table de la scie. Fig. 27

GUIDE D'ONGLET

Le guide d'onglet est expédié entièrement assemblé et est doté d'une barre à rainurer en T (A) fig. 28, qui s'insère dans l'une ou l'autre des deux rainures, pour le rainurage en T, logées sur le dessus de la table comme indiqué. Le guide d'onglet pour rainurage en T empêche celui-ci de tomber lorsqu'il dépasse l'avant de la table lors de coupe de pièces extra-large.

APPUI ARRIÈRE

1. Fixer **LÉGÈREMENT** les deux supports (A) fig. 29, au côté gauche inférieur de la table de la scie comme indiqué, avec deux vis à tête hexagonale cruciformes M6x1x15 mm (B) et des contre-écrous M6,1 (C). Assembler les deux autres traverses du côté inférieur droit de la lame de la scie de la même manière.

2. Insérer la tige (D) fig. 30, dans les trous des supports (A) comme indiqué. Puis visser et serrer la vis à tête hexagonale (E) 6,4 mm - 20 x 12,7 mm (1/4 po - 20 x 1/2 po) et enfiler une rondelle plate (F) de 6,4 mm (1/4 po) sur l'extrémité avant de la tige (D) comme indiqué en (G). Assembler l'autre tige sur le côté opposé de la scie de la même manière.

3. Insérer les tiges (D) fig. 31, dans les grands trous (H) de l'appui arrière (J) comme illustré.

4. Fixer solidement l'appui arrière (J) fig. 32, aux tiges (D) avec deux vis à tête hexagonale 6,4 mm - 20 x 12,7 mm (1/4 po - 20 x 1/2 po) et rondelles plates de 6,4 mm (1/4 po) (K) comme indiqué.

5. Pousser sur tout l'ensemble de l'appui arrière (J) fig. 33, jusqu'à ce qu'il touche l'ensemble protège-lame et couteau séparateur (L) comme indiqué. Puis serrer toute la quincaillerie de fixation de l'appui arrière.

6. Enfiler une rondelle sur la vis à tête hexagonale de 6,4 mm - 20 x 12,7 mm (1/4 po - 20 x 1/2 po) et visser l'autre extrémité des tiges pour les empêcher de sortir des supports de l'appui arrière.

UTILISATION DES COMMANDES ET RÉGLAGES

DÉMARRAGE ET ARRÊT DE LA SCIE

L'interrupteur marche/arrêt (A) fig. 34 est logé à l'avant de l'armoire de la scie. Pour mettre la scie sous tension, déplacer l'interrupteur (A) vers le haut en position de marche. Pour l'éteindre, déplacer l'interrupteur (A) vers le bas à la position d'arrêt.

⚠ AVERTISSEMENT S'ASSURER QUE L'INTERRUPTEUR SE TROUVE SUR LA POSITION D'ARRÊT AVANT DE BRANCHER LE CORDON D'ALIMENTATION. EN CAS DE PANNE DE COURANT, METTRE L'INTERRUPTEUR SUR LA POSITION D'ARRÊT. UN DÉMARRAGE ACCIDENTEL PEUT PROVOQUER DES BLESSURES.

VERROUILLER L'INTERRUPTEUR EN POSITION D'ARRÊT

IMPORTANT : lorsque l'outil est inutilisé, l'interrupteur doit être verrouillé en position d'arrêt afin d'empêcher toute utilisation non autorisée. Pour ce faire, saisir la bascule de l'interrupteur (B) et la retirer de l'interrupteur (fig. 35). Une fois la bascule (B) de l'interrupteur retirée, l'interrupteur ne fonctionnera pas. Cependant, si la bascule de l'interrupteur est retirée tandis que la scie est en marche, il sera possible d'éteindre l'outil et non de le redémarrer sans réinsérer la bascule de l'interrupteur (B).

COMMANDE D'ABAISSEMENT ET DE RELÈVEMENT DE LA LAME

Pour abaisser ou relever la lame de la scie, tourner le volant (A) fig. 36. Le tourner en sens horaire abaisse la lame et le tourner dans le sens antihoraire la relève.

⚠ AVERTISSEMENT LA POIGNÉE DE BLOCAGE D'INCLINAISON DE LA LAME (B) FIG. 36, DOIT ÊTRE VERROUILLÉE PENDANT TOUTES LES OPÉRATIONS DE COUPE.

COMMANDE D'INCLINAISON DE LA LAME

Pour incliner la lame de la scie, desserrer la poignée de blocage (A) Fig. 37, tourner le volant (B) jusqu'à ce que la lame soit à l'angle souhaité puis resserrer la poignée de blocage (A). REMARQUE : la poignée de blocage (A) est à ressort et se déplace en retirant la poignée (A) et en la repositionnant sur le goujon à crans d'arrêt situé directement sous la poignée.

⚠ AVERTISSEMENT LA POIGNÉE DE BLOCAGE D'INCLINAISON DE LA LAME (A) DOIT ÊTRE VERROUILLÉE PENDANT TOUTES LES OPÉRATIONS DE COUPE.

RÉGLAGES DES BUTÉES POSITIVES À 90 ET 45 DEGRÉS

La scie est dotée de butées fixes pour un positionnement rapide et précis de la lame de la scie à 90 et 45 degrés par rapport à la table. Pour ajuster les butées fixes, procéder comme suit :

⚠ AVERTISSEMENT DÉBRANCHER L'APPAREIL DE LA SOURCE D'ALIMENTATION.

1. Lever la lame de la scie à sa hauteur maximum.

RÉGLAGE D'UNE BUTÉE FIXE À 90 DEGRÉS

2. Desserrer la poignée de blocage de l'inclinaison de la lame, déplacer le mécanisme d'inclinaison de la lame le plus à gauche possible, et serrer la poignée de blocage de l'inclinaison de la lame.

3. Placer une équerre (A) fig. 38, sur la table avec une de ses extrémités contre la lame comme illustré et vérifier que la lame est perpendiculaire par rapport à la table. Si ce n'est pas le cas, desserrer la vis (B) de quelques tours, puis déplacer le mécanisme d'inclinaison de la lame jusqu'à ce que la lame soit à 90° par rapport à la table. Puis serrer la poignée de blocage de l'inclinaison de la lame et serrer la vis (B) jusqu'à ce qu'elle vienne en butée.

RÉGLAGE D'UNE BUTÉE FIXE À 45 DEGRÉS

4. Desserrer la poignée de blocage de l'inclinaison de la lame, déplacer le mécanisme d'inclinaison de la lame le plus à droite possible, et serrer la poignée de blocage de l'inclinaison de la lame.

5. Placer une équerre (A) fig. 39, sur la table, une de ses extrémités contre la lame comme illustré et vérifier que la lame est à 45° par rapport à la table. Si ce n'est pas le cas, desserrer la vis (C) de quelques tours, puis déplacer le mécanisme d'inclinaison de la lame jusqu'à ce que la lame soit à 45° par rapport à la table. Puis serrer la poignée de blocage de l'inclinaison de la lame et serrer la vis (C) jusqu'à ce qu'elle vienne en butée.

UTILISATION ET RÉGLAGE DU GUIDE LONGITUDINAL

1. Pour déplacer le guide longitudinal (A) fig. 40, le long de la table, relever le levier de blocage du guide (B), glisser le guide sur la table à l'endroit souhaité, puis abaisser le levier de blocage du guide (B) pour le bloquer dans cette position.

2. Un pointeur est fourni pour indiquer la distance entre le guide et la lame de la scie. Si le pointeur nécessite un réglage, desserrer la vis (C) fig. 40, qui fixe le pointeur au support du guide et le régler selon le besoin. Puis resserrer la vis (C).

3. IMPORTANT : LE GUIDE LONGITUDINAL DOIT ÊTRE CORRECTEMENT ALIGNÉ AVEC LA RAINURE DU GUIDE D'ONGLET POUR ÉVITER L'EFFET DE REBOND EN SCIANT EN LONG.

4. La lame de scie est installée parallèlement à la rainure du guide d'onglet en usine. Le guide doit être parallèle à la rainure du guide d'onglet afin d'assurer une précision de travail et d'éviter l'effet de rebond lors d'une opération de sciage en long. Pour vérifier l'alignement :

5. Positionner le guide à l'une des extrémités de la rainure du guide d'onglet. Fixer le guide à la table en abaissant le levier de blocage. Le bord du guide devrait alors être parallèle à la rainure du guide d'onglet.

6. Si un réglage s'avère nécessaire, procéder comme suit :

7. Desserrez les deux vis à tête à six pans creux de 47 mm (3/16 po) (D) fig. 40, et relevez le levier de blocage (B). Puis tenir le support du guide bien fermement vers l'avant de la scie et déplacer l'arrière du guide (A) jusqu'à ce qu'il soit parallèle à la rainure du guide d'onglet. Puis serrer deux vis (D) puis abaisser le levier de blocage (B).

8. Régler le serrage du guide (A) fig. 40, en relevant le levier de blocage (B) et en tournant la vis (E) en sens horaire pour augmenter ou dans le sens antihoraire pour réduire le serrage du guide.

UTILISATION ET RÉGLAGES DU GUIDE D'ONGLET

Pour tronçonner droit (la lame est à 90° par rapport à la table), le guide d'onglet peut être utilisé dans l'une des deux rainures de la table. Pour tronçonner en biseau (lame inclinée), utiliser le guide d'onglet dans la rainure droite de la table uniquement, de sorte que la lame soit inclinée loin du guide d'onglet et de vos mains.

Le guide d'onglet est muni de butées réglables individuellement à 90 et 45 degrés à droite et à gauche. Desserrer les contre-écrous pour régler les butées (B) fig. 41, et serrer ou desserrer les trois vis de réglage (C) jusqu'à ce qu'elles touchent l'autre extrémité du goujon d'arrêt (D) lorsque le guide d'onglet est à 90 et 45 degrés par rapport à la lame de la scie. Puis serrer les contre-écrous (B).

Pour utiliser le guide d'onglet, desserrer simplement le bouton de verrouillage (E) fig. 41, et pivoter le corps du guide d'onglet à l'angle souhaité. Lorsque le goujon d'arrêt (D) est enfoncé, le corps du guide d'onglet s'arrêtera à 90 et 45 degrés à droite et à gauche. Pour pivoter le corps du guide d'onglet au-delà de ces limites, retirer le goujon d'arrêt (D).

RÉGLAGE DE LA LAME EN PARALLÈLE AUX RAINURES DU GUIDE D'ONGLET

À l'usine, la lame a été réglée parallèlement aux rainures du guide d'onglet. Pour garantir une précision de coupe et éviter l'effet de rebond, révéifier ce réglage et réajuster au besoin comme suit :

1. DÉBRANCHER L'APPAREIL DE LA SOURCE D'ALIMENTATION.

2. Relever la lame au maximum et la régler de sorte qu'elle se trouve à 90° par rapport à la table.
3. Sélectionner une dent de la lame qui se trouve sur la gauche. Marquer cette dent à l'aide d'un crayon ou d'un marqueur.
4. À l'aide d'une équerre combinée, positionner le corps (A) Fig. 42, de l'équerre contre la rainure du guide d'onglet et ajuster la lame (B) de l'équerre jusqu'à ce qu'elle touche la dent marquée comme indiquée.
5. Tourner la lame et vérifier la même dent de lame marquée à l'arrière de la table de scie de la même manière comme indiqué à la fig. 43.
6. Si les mesures (fig. 42 et 43) ne sont pas identiques à l'avant et à l'arrière, il est possible d'ajuster la lame. Commencer en desserrant les écrous sous les quatre vis (C) fig. 44, sur la table. Puis desserrer les vis (C). Déplacer soigneusement la lame de la scie jusqu'à ce qu'elle soit parallèle à la rainure du guide d'onglet. Puis serrer fermement quatre écrous sous la table ainsi que les quatre vis (C) fig. 44.

REMARQUE : s'il n'est pas possible d'effectuer un réglage suffisant en desserrant les vis (C), les vis (D) peuvent également se desserrer pour effectuer le réglage si absolument nécessaire.

REMARQUE : le dispositif de protection a été retiré uniquement pour illustrer le procédé.

CHANGEMENT DE LA LAME

▲ AVERTISSEMENT DÉBRANCHER L'APPAREIL DE LA SOURCE D'ALIMENTATION. UTILISER UNIQUEMENT DES LAMES DE SCIE DE 254 MM (10 PO) PRÉVUES POUR 5 000 TR/MIN OU PLUS AVEC UN ALÉSAGE DE 15,8 MM (5/8 PO).

1. Relever la lame de la scie au maximum puis retirer l'insert de table (A) fig. 45.
2. À l'aide de la clé à fourche (B) fig. 45, positionner l'extrémité ouverte de la clé sur les méplats de la bride interne de la lame pour empêcher la rotation de l'arbre de la scie puis retirer l'écrou de l'arbre (C) avec la clé (D). Tourner l'écrou (C) en sens antihoraire pour le retirer. Retirer la bride externe de la lame (E) et la lame de la scie (F).
3. Assembler la nouvelle lame, s'assurer que les dents pointent vers le bas à l'avant de la table de la scie et assembler la bride externe de la lame (E) fig. 45, et l'écrou d'arbre (C). Serrer l'écrou (C) avec la clé (D) en tournant l'écrou en sens horaire tout en maintenant l'arbre fixe avec l'autre clé (B).
4. Replacer l'insert de la table.

OPÉRATIONS COURANTES DE SCIAGE

Les opérations courantes de sciage comprennent le sciage en long et le tronçonnage, ainsi que quelques autres opérations standard de nature fondamentale. Comme pour tout appareil électrique, le fonctionnement et l'utilisation de l'appareil comporte un certain nombre de risques. En utilisant l'appareil avec toute la prudence requise en ce qui concerne les mesures de sécurité, le risque de blessures corporelles en sera considérablement réduit. Au contraire, si les mesures de sécurité normales ne sont pas respectées ou complètement ignorées, l'opérateur de l'outil peut être blessé. Les informations suivantes décrivent la méthode sûre et correcte à suivre pour exécuter les opérations de sciage les plus courantes.

▲ AVERTISSEMENT L'UTILISATION D'ACCESSOIRES NON RECOMMANDÉS POURRAIT SE SOLDER PAR UN RISQUE DE BLESSURES POUR L'UTILISATEUR OU POUR D'AUTRES.

TRONÇONNAGE

Le tronçonnage nécessite l'utilisation du guide d'onglet pour positionner et guider l'ouvrage. Placer la pièce contre le guide d'onglet et pousser le guide et la pièce en direction de la lame de la scie comme indiqué à la fig. 46. Le guide d'onglet peut servir dans l'une ou l'autre rainure de la table. Pour une coupe en biseau (lame inclinée), utiliser la rainure de la table qui ne crée pas l'interférence entre la main ou le guide d'onglet et le protège-lame de la scie.

Commencer lentement la découpe et tenir fermement la pièce contre le guide d'onglet et la table. L'une des règles relatives à l'utilisation d'une scie consiste à ne jamais se cramponner ou toucher une pièce d'ouvrage qui n'est pas fixée. Tenir la pièce supportée, et non la pièce coupée mobile. L'avance pour le tronçonnage se poursuit jusqu'à ce que la pièce soit coupée en deux, et que le guide d'onglet et la pièce reviennent au point de départ. Avant de tirer la pièce vers l'arrière, il est conseillé d'imprimer un petit mouvement sur le côté, à la pièce, pour l'éloigner de la lame de la scie. **Ne jamais** ramasser sur la table une pièce de courte longueur alors que la scie est en marche. **Ne jamais** toucher une pièce coupée à moins qu'elle ne fasse au moins 300 mm (1 pi) de long.

Pour une sécurité accrue et plus de commodité, ajouter au guide d'onglet un parement auxiliaire en bois. Fixer le parement en bois à l'avant du guide d'onglet en insérant deux vis à bois dans les trous (A) fig. 46, à cet effet sur le corps du guide d'onglet et dans le parement en bois.

⚠ AVERTISSEMENT NE JAMAIS UTILISER LE GUIDE COMME JAUGE DE COUPE POUR LES OPÉRATIONS DE TRONÇONNAGE.

Pour tronçonner plusieurs pièces de même longueur, fixer un bloc de bois (B) fig. 46A sur le guide et l'utiliser comme jauge de coupe. Il est important de toujours positionner ce bloc de bois devant la lame de la scie comme indiqué. Après avoir déterminé la longueur de coupe, fixer solidement le guide et utiliser du guide d'onglet pour acheminer la pièce de coupe. Ce bloc de bois permet à la pièce coupée de se déplacer librement le long de la surface de la table sans se coincer entre le guide et la lame de la scie, ce qui réduit donc la possibilité d'effet de rebond et de blessure pour l'opérateur de la scie.

⚠ ATTENTION LORS DE L'UTILISATION DU BLOC (B) FIG. 46A, COMME JAUGE DE COUPE, IL EST TRÈS IMPORTANT DE POSITIONNER L'EXTRÉMITÉ ARRIÈRE DU BLOC DE SORTE QUE LA PIÈCE SOIT À L'ÉCART DU BLOC AVANT QU'ELLE N'ENTRE EN CONTACT AVEC LA SCIE.

SCIAGE EN LONG

La coupe d'une planche dans sa longueur est connue sous le nom de sciage en long. Utiliser le guide longitudinal (A) fig. 47, pour positionner et guider la pièce. L'un des bords de la pièce vient s'appuyer contre le guide longitudinal tandis que le côté plat de la planche repose sur la table. Étant donné que la pièce est poussée le long du guide, il doit avoir un bord droit et bien toucher la table. Utiliser le protège-lame de la scie. Il est muni de doigts anti-effet de rebond afin d'empêcher l'effet de rebond, et d'un couteau séparateur pour empêcher le trait de scie de se fermer et de coincer la lame.

1. Démarrer le moteur et avancer la pièce en l'appuyant contre le guide. **Ne jamais** se mettre dans la trajectoire de la scie lors d'une opération de sciage en long. Tenir la pièce des deux mains et la pousser le long du guide et vers la lame de la scie (fig. 48). La pièce peut être guidée sous la lame de la scie avec une ou deux mains. Une fois que la pièce au-delà de la lame de la scie et des doigts anti-effet de rebond, retirer la main de la pièce. Une fois la coupe effectuée, il est possible de laisser la pièce sur la table, de l'incliner légèrement et de la saisir par l'extrémité du protège-lame arrière, ou de la faire tomber de la table, sur le sol. Alternativement, il est possible de continuer de guider la pièce vers l'extrémité de la table, après quoi il faut la déplacer pour la placer le long du bord extérieur du guide. La pièce coupée doit rester sur la table, et ne doit pas être touchée jusqu'à ce que la lame se soit immobilisée, à moins qu'il ne s'agisse d'une grosse pièce pouvant être retirée en toute sécurité. Pour scier en long des planches de plus d'un mètre (trois pieds) de long, on recommande d'utiliser un appui arrière (B) fig. 47, qui s'étend aussi loin que possible pour empêcher la pièce de tomber de la table de la scie.

2. Si la pièce mesure moins de 101 mm (4 pouces) de largeur, toujours utiliser un poussoir pour terminer l'acheminement comme indiqué à la fig. 49. Le poussoir se fabrique facilement de matériau de rebut selon l'explication de la rubrique « **FABRICATION D'UN POUSSOIR** ».

3. Il peut être dangereux de scier des pièces étroites en long si cette opération n'est pas réalisée avec prudence. Les pièces étroites ne peuvent généralement pas être coupées lorsque le protège-lame est en place. Si la pièce est assez petite, utiliser un poussoir. Pour scier en long des pièces de moins de 51 mm (2 po) de largeur, un poussoir plat peut être un accessoire très utile étant donné que des bâtons ordinaires peuvent interférer avec le protège-lame. En cas d'utilisation d'un poussoir, il faut ajouter la largeur du poussoir à la largeur du guide longitudinal pour le réglage de la position. Fabriquer un poussoir plat comme illustré à la fig. 50 l'utiliser comme indiqué à la fig. 48

REMARQUE : certaines opérations spéciales exigent l'ajout d'un parement en bois face au guide, selon l'explication de la section « **UTILISATION DU PAREMENT EN BOIS AUXILIAIRE FACE AU GUIDE LONGITUDINAL** » et l'utilisation d'un poussoir.

UTILISATION DU PAREMENT EN BOIS AUXILIAIRE AVEC LE GUIDE LONGITUDINAL

Pour certaines opérations spéciales, il est nécessaire de placer des planches de repères (A) fig. 51 sur un côté du guide, ou sur les deux. Fixer la planche de repère sur le guide en mettant des vis dans les trous du guide. La plupart du temps, une pièce de 19 mm (3/4 po) sera nécessaire, parfois 25,4 mm (1 po).

FRAISE ACCESSOIRE À RAINURER

REMARQUE : LA LARGEUR MAXIMUM DE RAINURAGE EST DE 12,7 mm (1/2 po) POUR CETTE SCIE.

⚠ AVERTISSEMENT L'ENSEMBLE PROTÈGE-LAME/COUPEAU SÉPARATEUR NE PEUT PAS ÊTRE UTILISÉ POUR LES RAINURAGES. IL DOIT ÊTRE RETIRÉ.

Avant de rainurer, desserrer l'écrou à oreilles (a) fig. 52 et retirer l'ensemble pare-main/couteau séparateur (B). Garder l'ensemble sous la main pour le replacer après le rainurage.

1. Le rainurage consiste à couper une feuillure ou une rainure large dans la pièce. La plupart des ensembles à rainurer sont constitués de deux lames externes et de quatre ou cinq couteaux internes (fig. 53). De nombreuses combinaisons de lames et couteaux sont utilisées pour couper des rainures de 3,2 mm (1/8 po) à 20,6 mm (13/16 po) pour des étagères, pour réaliser des assemblages, tenonnage, rainurage, etc. Les couteaux sont très estampés et doivent être placés de sorte que cette partie estampée se trouve au niveau des dents des lames externes, comme le montre la fig. 54. La fig. 55 montre la superposition de la lame et du couteau (A) est la lame externe, (B) est un couteau interne, et (C) est un ou des joints en papier utilisés au besoin pour contrôler la largeur exacte de la rainure. Une rainure de 6,4 mm (1/4 po) est coupée à l'aide des deux lames externes. Les dents des scies doivent être positionnées de sorte que le rabot de l'une des lames se trouve à côté de la dent coupante de l'autre lame.

2. Fixer l'ensemble à rainurer (D) fig. 56, sur l'arbre de la scie.

⚠ ATTENTION REMARQUE : LA BRIDE D'AXE EXTERNE NE PEUT PAS ÊTRE UTILISÉE AVEC L'ENSEMBLE À RAINURER, RESSERRER L'ÉCROU D'ARBRE CONTRE LE CORPS DE L'ENSEMBLE À RAINURER. NE PAS PERDRE LA BRIDE D'AXE EXTERNE. ELLE SERA NÉCESSAIRE POUR FIXER À NOUVEAU UNE LAME SUR L'AXE.

⚠ AVERTISSEMENT L'INSERT DE TABLE POUR L'ENSEMBLE À RAINURER ACCESSOIRE (E) FIG. 56, DOIT ÊTRE UTILISÉ AU LIEU DE L'INSERT DE TABLE STANDARD.

L'ENSEMBLE PROTÈGE-LAME/COUTEAU SÉPARATEUR NE PEUT PAS ÊTRE UTILISÉ POUR LE RAINURAGE ET DOIT ÊTRE RETIRÉ OU BASCULÉ À L'ARRIÈRE DE LA SCIE. UTILISER ÉGALEMENT DES SERRE-JOINTS, FIXATIONS, POUSSOIRS ET PLANCHES EN ÉVENTAILS SUPPLÉMENTAIRES.

3. La fig. 57 illustre une opération courante de rainurage avec utilisation du guide d'onglet comme guide.

⚠ ATTENTION NE JAMAIS UTILISER LA TÊTE À RAINURER EN POSITION DE BISEAU.

⚠ AVERTISSEMENT TOUJOURS RÉINSTALLER LE PROTÈGE-LAME APRÈS AVOIR TERMINÉ L'OPÉRATION.

CONSTRUCTION D'UNE PLANCHE EN ÉVENTAIL

La fig. 58 illustre les dimensions utilisées pour la fabrication d'une planche en éventail typique. Utiliser une pièce de bois droite exempte de nœuds et de fissures pour la fabrication de la planche en éventail. Les planches en éventail sont utilisées pour maintenir la pièce en contact avec le guide et la table et d'éviter les effets de rebond. Fixer les planches en éventail sur le guide et la table de sorte que le bord d'attaque des planches en éventail soutienne la pièce tout au long de la coupe. Utiliser des planches en éventail pour toutes les opérations, hors débitage complet, pour lesquelles l'ensemble protège-lame/dispositif d'écartement doit être retiré (voir fig. 59). Toujours replacer l'ensemble protège-lame/dispositif d'écartement lorsque l'opération (hors débitage complet) est terminée.

GUIDE DE DÉPANNAGE

SUIVRE LES RÈGLES ET CONSIGNES DE SÉCURITÉ

PROBLÈME ! LA SCIE NE DÉMARRE PAS

QUEL EST LE PROBLÈME ?

- 1.Scie non branchée.
- 2.Fusible grillé ou disjoncteur déclenché.
- 3.Cordon endommagé.
- 4.Brosses usées.

QUE FAIRE...

- 1.Brancher la scie.
- 2.Remplacer le fusible ou réinitialiser le disjoncteur.
- 3.Faire remplacer le cordon par un centre de réparation agréé.
- 4.Faire remplacer les brosses par un centre de réparation agréé.

PROBLÈME ! LES DÉCOUPES EFFECTUÉES PAR LA SCIE NE SONT PAS SATISFAISANTES

QUEL EST LE PROBLÈME ?

- 1.Lame émoussée.
- 2.Lame montée à l'envers.
- 3.Gomme ou résine sur la lame.
- 4.Lame inadéquate pour le travail effectué.

QUE FAIRE...

- 1.Remplacer la lame.
- 2.Inverser la lame.
- 3.Retirer la lame et la nettoyer avec de la térébenthine.
- 4.Changer la lame.

PROBLÈME ! LA LAME N'ATTEINT PAS SON PLEIN RÉGIME

QUEL EST LE PROBLÈME ?

- 1.La rallonge est trop légère ou trop longue.
- 2.Courant domestique trop faible.

QUE FAIRE...

- 1.La remplacer par une rallonge de taille adéquate.
- 2.Contacter votre fournisseur d'électricité.

PROBLÈME ! LA MACHINE VIBRE DE MANIÈRE EXCESSIVE

QUEL EST LE PROBLÈME ?

- 1.Socle sur un plancher inégal.
- 2.Lame de scie endommagée.

QUE FAIRE...

- 1.Le repositionner sur une surface plane.
- 2.Remplacer la lame.

PROBLÈME ! LES COUPES À ONGLET MANQUENT DE PRÉCISION

QUEL EST LE PROBLÈME ?

- 1.L'échelle d'onglet n'est pas correctement réglée.
- 2.La lame n'est pas d'équerre par rapport au guide.
- 3.La lame n'est pas perpendiculaire à la table
- 4.La pièce à couper se déplace.

QUE FAIRE...

- 1.Vérifier et régler.
- 2.Vérifier et régler.
- 3.Vérifier et régler le guide.
- 4.La fixer au guide ou coller du papier abrasif de calibre 120 sur le guide à l'aide de colle de caoutchouc.

PROBLÈME ! LE MATÉRIAU PINCE LA LAME

QUEL EST LE PROBLÈME ?

- 1.Découpe de matériau arqué.
- 2.Le guide longitudinal n'est pas parallèle à la lame.

QUE FAIRE...

1. Positionner le matériau arqué avec le côté concave ou creux vers le bas.
2. Réaligne le guide longitudinal.

PROBLÈME ! IMPOSSIBLE DE BLOQUER LA LAME EN BISEAU

QUEL EST LE PROBLÈME ?

- 1.La poignée de blocage d'inclinaison de la lame est trop lâche.

QUE FAIRE...

- 1.Retirer le volant d'abaissement et de relèvement de la lame.
2. Déposer la vis à tête plate de la poignée de blocage.
3. Serrer la poignée de blocage d'inclinaison de la lame. La poignée de blocage (A) est à ressort et se déplace en tirant sur la poignée (A) et en la repositionnant sur le goujon à crans d'arrêt logé sous la poignée.
4. Remettre la vis à tête plate.

FABRICATION D'UN POUSSOIR »

Pour scier en long un ouvrage de moins de 10,2 cm (4 po) de large, utiliser un poussoir pour terminer la coupe. Il est facile de fabriquer un poussoir avec des déchets de découpe en suivant le modèle indiqué à la fig. 60.

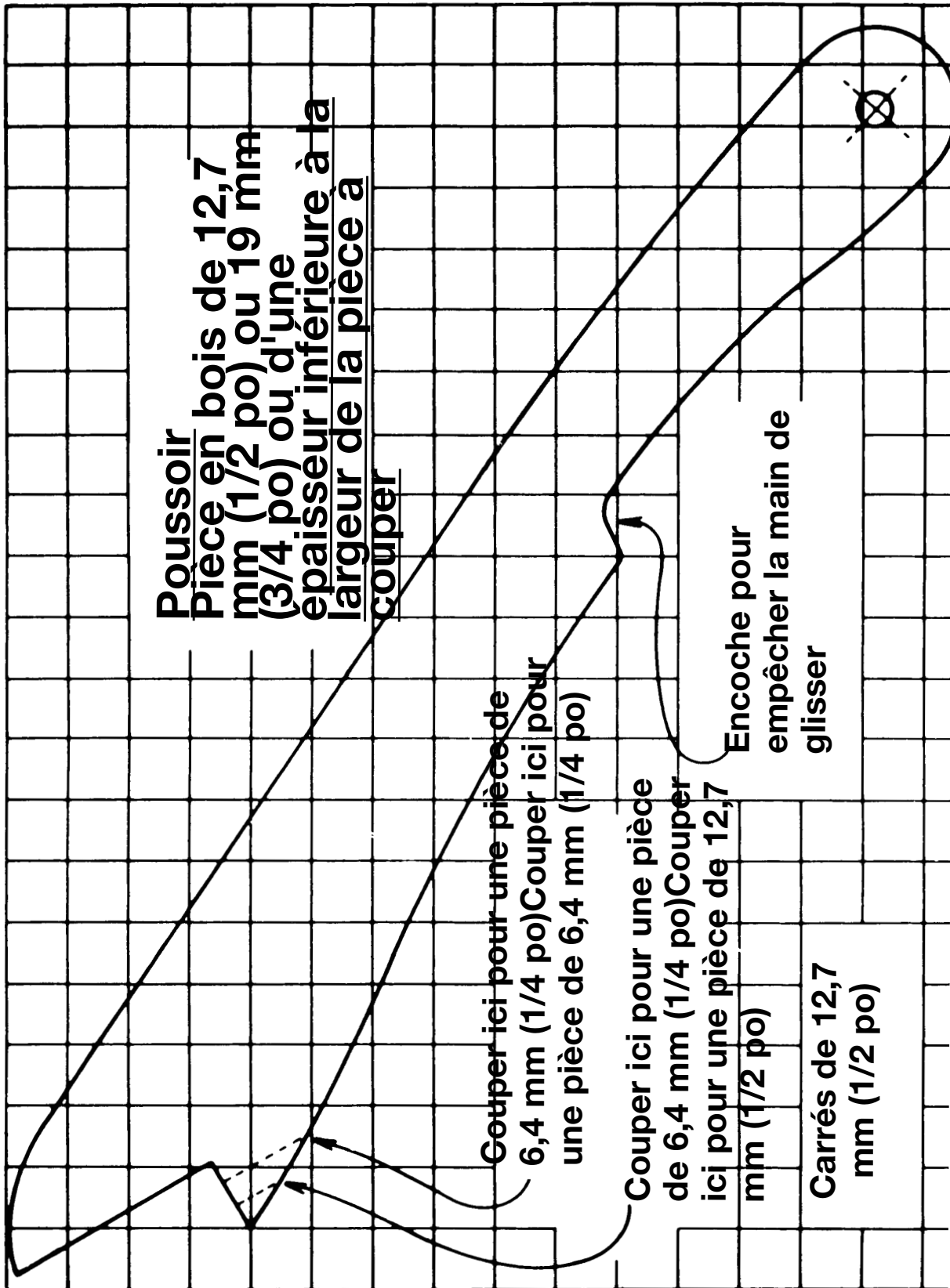


Fig. 59

ACCESSOIRES

Les accessoires recommandés pouvant être utilisés avec l'outil sont disponibles auprès de votre distributeur local ou centre de réparation autorisé. Pour tout renseignement concernant les accessoires, composer le : 1-800-544-6986

▲ AVERTISSEMENT l'utilisation de tout accessoire non recommandé avec l'outil pourrait s'avérer dangereuse.

Entretien

N'utiliser qu'un détergent doux et un chiffon humide pour nettoyer l'outil. Ne jamais laisser de liquide pénétrer dans l'outil et n'immerger aucune partie de l'outil dans un liquide.

IMPORTANT : pour garantir la **SÉCURITÉ** et la **FIABILITÉ** du produit, les réparations, l'entretien et le réglage (autre que ceux énumérés dans ce mode d'emploi) doivent être réalisés par un centre de réparation autorisé ou tout autre centre de réparation professionnel, et les des pièces de rechange identiques doivent être utilisées.

Information sur les services

Black & Decker dispose d'un réseau complet composé de centres de service et de centres autorisés situés partout en Amérique du Nord. Tous les centres de service Black & Decker sont dotés de personnel qualifié en matière d'outillage électrique; ils sont donc en mesure d'offrir à leur clientèle un service efficace et fiable. Pour obtenir un conseil technique ou une pièce d'origine ou pour faire réparer un outil, on peut communiquer avec le centre Black & Decker le plus près. Pour obtenir le numéro de téléphone, consulter les pages jaunes sous la rubrique "Outils - électriques" ou composer le **1 800 544-6986 (1-800-54-HOW-TO)** www.blackanddecker.com.

Garantie complète de deux ans pour usage résidentiel

Black & Decker (U.S.) Inc. garantit ce produit pour une période de deux ans contre tout défaut de matériel ou de fabrication. Le produit défectueux sera remplacé ou réparé sans frais, suivant l'une des deux méthodes suivantes.

La première méthode consiste en un échange seulement. On doit retourner le produit au détaillant qui l'a vendu (pourvu qu'il s'agisse d'un détaillant participant), en respectant les délais stipulés dans sa politique relative aux échanges (normalement de 30 à 90 jours après la vente). Une preuve d'achat peut être requise. On doit vérifier la politique de retour du détaillant pour tout produit retourné après le délai prescrit pour les échanges.

La deuxième méthode consiste à apporter ou à envoyer le produit (prépayé) à un centre Black & Decker ou à un centre de service autorisé aux fins de réparation ou de remplacement, selon notre choix. Une preuve d'achat peut être requise. Les centres

Black & Decker et les centres de service autorisés sont répertoriés dans les pages jaunes sous la rubrique «Outils - électriques». Cette garantie ne s'applique pas aux accessoires. Elle confère des droits légaux particuliers à l'acheteur, mais celui-ci pourrait aussi bénéficier d'autres droits variant d'un territoire à l'autre.

Toute question doit être adressée au gérant du centre Black & Decker le plus près.

Ce produit n'est pas destiné à un usage commercial.

Remplacement gratuit de l'étiquette d'avertissement : En cas de perte ou d'endommagement des étiquettes d'avertissement, composer le **1 800 544-6986** afin d'en obtenir de nouvelles sans frais.

Remarque à l'intention des entrepreneurs concernant la garantie spéciale

Les produits de marque FIRESTORM^{MC} sont des outils hauts de gamme destinés aux consommateurs et comportent une GARANTIE POUR USAGE RÉSIDENTIEL. Ces outils sont conçus, fabriqués et mis à l'essai en vue de répondre aux besoins du bricoleur, ou de les dépasser, lorsque ce dernier réalise des projets ou effectue des réparations à

l'intérieur ou à l'extérieur de sa résidence. Utilisés correctement, ces outils procurent à

l'utilisateur un rendement et une puissance supérieurs qui excèdent de loin la période de garantie de deux ans. Par contre, tout outil utilisé à des fins commerciales ou tout produit de marque FIRESTORM^{MC} ou tout autre produit Black & Decker destiné aux consommateurs et réservé à un usage résidentiel, utilisé dans le cadre d'une **ACTIVITÉ RELIÉE AU TRAVAIL, N'EST PAS COUVERT PAR LA PRÉSENTE GARANTIE.**

Imported by / Importé par
Black & Decker Canada Inc.
100 Central Ave.
Brockville (Ontario) K6V 5W6

Voir la rubrique "Outils électriques"
des Pages Jaunes
pour le service et les ventes.



FIRESTORM[®]
HIGH PERFORMANCE TOOLS

OUTILS À HAUT RENDEMENT
HERRAMIENTAS DE ALTO RENDIMIENTO

BY  **BLACK & DECKER**

SIERRA DE MESA FS210LS 254 MM (10")

MANUAL DE INSTRUCCIONES



¡GRACIAS POR ELEGIR FIRESTORM! VAYA A [WWW.FIRESTORMTOOLS.COM/
PRODUCTREGISTRATION](http://WWW.FIRESTORMTOOLS.COM/PRODUCTREGISTRATION)
PARA REGISTRAR SU NUEVO PRODUCTO.

ANTES DE DEVOLVER ESTE PRODUCTO POR CUALQUIER MOTIVO, LLAME AL
(55) 5326-7100

CONSERVE ESTE MANUAL PARA FUTURAS CONSULTAS

DEFINICIONES DE LAS NORMAS DE SEGURIDAD

Es importante que usted conozca y comprenda la información incluida en este manual. Esta información se relaciona con la protección de SU SEGURIDAD y la PREVENCIÓN DE PROBLEMAS CON EL EQUIPO. Para ayudarlo a reconocer esta información, utilizamos los símbolos que se incluyen a la derecha. Lea el manual y preste atención a estas secciones.

▲ PELIGRO Indica una situación de peligro inminente, que si no se evita, provocará la muerte o lesiones graves.

▲ ADVERTENCIA Indica una situación de peligro potencial, que si no se evita, provocará la muerte o lesiones graves.

▲ PRECAUCIÓN Indica una situación de peligro potencial, que si no se evita, provocará lesiones leves o moderadas.

PRECAUCIÓN Utilizado sin el símbolo de alerta de seguridad, indica una situación de peligro potencial, que si no se evita, puede provocar daños en la propiedad

▲ ADVERTENCIA **Algunas partículas originadas al lijar, aserrar, amolar, taladrar y realizar otras actividades de construcción contienen productos químicos que producen cáncer, defectos de nacimiento y otros problemas reproductivos.** Algunos ejemplos de estos productos químicos son:

- el plomo de las pinturas de base plomo,
- la sílice cristalina de ladrillos, cemento y otros productos de mampostería, y
- el arsénico y el cromo de la madera con tratamiento químico (CCA).


El riesgo derivado de estas exposiciones varía según la frecuencia con la que se realice este tipo de trabajo. Para reducir la exposición a estos productos químicos: se recomienda trabajar en áreas bien ventiladas y usar equipos de seguridad aprobados, como las máscaras para polvo especialmente diseñadas para filtrar las partículas microscópicas.

- Evite el contacto prolongado con las partículas de polvo originadas al lijar, aserrar, esmerilar, taladrar y realizar demás actividades de la construcción. Use indumentaria protectora y lave las áreas expuestas con agua y jabón. Evite que el polvo entre en la boca y en los ojos o se deposite en la piel, para impedir la absorción de productos químicos nocivos.

▲ ADVERTENCIA **el uso de esta herramienta puede generar o dispersar partículas de polvo, que pueden causar lesiones respiratorias permanentes y graves u otras lesiones.** Use siempre protección respiratoria aprobada por NIOSH/OSHA (Instituto Nacional de Salud y Seguridad Ocupacional de EE.UU./Administración de la Salud y Seguridad Ocupacional de EE.UU.) apropiada para la exposición al polvo. Aleje la cara y el cuerpo del contacto con las partículas.

▲ PRECAUCIÓN **utilice la protección auditiva apropiada durante el uso.** En determinadas condiciones y según el período de uso, el ruido provocado por este producto puede originar pérdida de audición.

NORMAS GENERALES DE SEGURIDAD

 **▲ ADVERTENCIA** **LEA Y COMPRENDA TODAS LAS ADVERTENCIAS Y LAS INSTRUCCIONES DE OPERACIÓN ANTES DE UTILIZAR ESTE EQUIPO.** El incumplimiento de cualquiera de las instrucciones enumeradas a continuación puede provocar descarga eléctrica, incendio o lesiones personales graves o daños a la propiedad. age.

INSTRUCCIONES IMPORTANTES SOBRE SEGURIDAD

El trabajo de carpintería puede ser peligroso si no se siguen procedimientos operativos seguros y adecuados. Al igual que con cualquier máquina, el uso de este producto implica determinados riesgos. Si utiliza la máquina con la precaución necesaria, reducirá considerablemente la posibilidad de lesiones personales. No obstante, si no se presta la debida atención a las medidas normales de seguridad o se las ignora, el operador puede lesionarse. El uso del equipo de seguridad, como protectores, varas para empujar, plantillas de guía, tablas de canto biselado, anteojos, máscaras para polvo y protección auditiva puede reducir las posibles lesiones personales. Pero ni siquiera el mejor protector puede compensar una mala decisión, un descuido o la falta de atención. Utilice siempre el sentido común y tenga precaución en el taller. Si un procedimiento parece peligroso, no lo intente. Busque un procedimiento alternativo que le parezca más seguro. **RECUERDE:** su seguridad personal es su responsabilidad.

NORMAS GENERALES DE SEGURIDAD



LA FALTA DE CUMPLIMIENTO DE ESTAS NORMAS PUEDE PROVOCAR LESIONES GRAVES.

INSTRUCCIONES IMPORTANTES SOBRE SEGURIDAD

- PARA SU PROPIA SEGURIDAD, LEA EL MANUAL DE INSTRUCCIONES ANTES DE UTILIZAR LA MÁQUINA.** Al aprender la aplicación, las limitaciones y los peligros específicos de la máquina, se minimizará enormemente la posibilidad de accidentes y lesiones.
- UTILICE PROTECCIÓN PARA LOS OJOS. SIEMPRE USE ANTEOJOS DE SEGURIDAD.** Utilice también máscaras faciales o para polvo si el corte produce polvillo. Los anteojos de uso diario NO son anteojos de seguridad. **UTILICE UN EQUIPO DE SEGURIDAD CERTIFICADO.** El equipo de protección para los ojos debe cumplir con las normas del ANSI Z87.1, el equipo de protección auditiva debe cumplir con las normas del ANSI S3.19 y la protección de la máscara para polvo debe cumplir con las normas certificadas de protección para la respiración MSHA/NIOSH. Las astillas, los desechos transportados por el aire y el polvo pueden provocar irritación, lesiones y enfermedades.
- USE INDUMENTARIA ADECUADA.** No use ropa holgada, guantes, corbatas, anillos, pulseras u otras joyas que podrían engancharse en las piezas móviles. Se recomienda usar calzado antideslizante. Use una cubierta protectora del pelo para sujetar el pelo largo.
- NO UTILICE LA MÁQUINA EN UN ENTORNO PELIGROSO.** La utilización de herramientas mecánicas en lugares húmedos o mojados, o en la lluvia, puede causar descargas eléctricas o electrocución. Mantenga bien iluminada el área de trabajo para evitar tropezar o poner en peligro los brazos, las manos y los dedos.
- MANTENGA TODAS LAS HERRAMIENTAS Y MÁQUINAS EN CONDICIONES ÓPTIMAS.** Mantenga las herramientas afiladas y limpias para lograr el mejor y más seguro rendimiento. Siga las instrucciones de lubricación y cambio de accesorios. Las herramientas y las máquinas mal mantenidas pueden dañar más la herramienta o la máquina y/o causar lesiones.
- COMPRUEBE SI HAY PIEZAS DAÑADAS.** Antes de utilizar la máquina, compruebe si hay piezas dañadas. Compruebe la alineación de las piezas móviles, si las piezas móviles se atascan, si hay piezas rotas y toda otra situación que podría afectar su funcionamiento. Un protector o cualquier otra pieza que presente daños debe repararse o reemplazarse apropiadamente. Las piezas dañadas pueden causar daños adicionales a la máquina y/o lesiones.
- MANTENGA LIMPIA EL ÁREA DE TRABAJO.** Las áreas y los bancos desordenados invitan a que se produzcan accidentes.
- MANTENGA ALEJADOS A LOS NIÑOS Y A LOS VISITANTES.** El taller es un entorno potencialmente peligroso. Los niños y los visitantes pueden sufrir lesiones.
- REDUZCA EL RIESGO DE UN ARRANQUE NO INTENCIONADO.** Asegúrese de que el interruptor esté en la posición de apagado antes de enchufar el cable de alimentación. En caso de un apagón, mueva el interruptor a la posición de apagado. Un arranque accidental podría causar lesiones.
- UTILICE LOS PROTECTORES.** Asegúrese de que todos los protectores estén colocados en su sitio, sujetos firmemente y funcionando correctamente para prevenir lesiones.
- QUITE LAS LLAVES DE AJUSTE Y DE TUERCA ANTES DE ARRANCAR LA MÁQUINA.** Las herramientas, los pedazos de desecho y otros residuos pueden salir despedidos a alta velocidad, causando lesiones.
- UTILICE LA MÁQUINA ADECUADA.** No fuerce una máquina o un aditamento a hacer un trabajo para el que no se diseñó. El resultado podría ser daños a la máquina y/o lesiones.
- UTILICE ACCESORIOS RECOMENDADOS.** La utilización de accesorios y aditamentos no recomendados por Delta podría causar daños a la máquina o lesiones al usuario.
- UTILICE EL CORDÓN DE EXTENSIÓN ADECUADO.** Asegúrese de que el cordón de extensión esté en buenas condiciones. Cuando utilice un cordón de extensión, asegúrese de utilizar un cordón que sea lo suficientemente pesado como para llevar la corriente que su producto tome. Un cordón de tamaño insuficiente causará una caída de la tensión de la línea, lo cual producirá una pérdida de potencia y recalentamiento. Consulte el Cuadro de cordones de extensión para obtener el tamaño correcto dependiendo de la longitud del cordón y la capacidad nominal en amperios indicada en la placa de especificaciones. En caso de duda, utilice el próximo calibre más grueso. Cuanto más pequeño sea el número de calibre, más pesado será el cordón.
- SUJETE FIRMEMENTE LA PIEZA DE TRABAJO.** Utilice abrazaderas o un tornillo de carpintero para sujetar la pieza de trabajo cuando resulte práctico. La pérdida de control de una pieza de trabajo puede causar lesiones.
- HAGA AVANZAR LA PIEZA DE TRABAJO CONTRA EL SENTIDO DE ROTACIÓN DE LA HOJA, EL CORTADOR O LA SUPERFICIE ABRASIVA.** Si la hace avanzar desde el otro sentido, el resultado será que la pieza de trabajo salga despedida a alta velocidad.
- NO FUERCE LA PIEZA DE TRABAJO SOBRE LA MÁQUINA.** El resultado podría ser daños a la máquina y/o lesiones.
- NO INTENTE ALCANZAR DEMASIADO LEJOS.** Una pérdida del equilibrio puede hacerle caer en una máquina en funcionamiento, causándole lesiones.
- NO SE SUBA NUNCA A LA MÁQUINA.** Se podrían producir lesiones si la herramienta se inclina o si usted hace contacto accidentalmente con la herramienta de corte.
- NO DEJE NUNCA DESATENDIDA LA MÁQUINA CUANDO ESTÉ EN MARCHA. APÁGUELA.** No deje la máquina hasta que ésta se detenga por completo. Un niño o un visitante podría resultar lesionado.
- APAGUE LA MÁQUINA Y DESCONÉCTELA DE LA FUENTE DE ALIMENTACIÓN** antes de instalar o quitar accesorios, antes de ajustar o cambiar configuraciones o al realizar reparaciones. Un arranque accidental puede causar lesiones.
- HAGA SU TALLER A PRUEBA DE NIÑOS CON CANDADOS E INTERRUPTORES MAESTROS O QUITANDO LAS LLAVES DE ARRANQUE.** El arranque accidental de una máquina por un niño o un visitante podría causar lesiones.
- MANTÉNGASE ALERTA, FÍJESE EN LO QUE ESTÁ HACIENDO Y USE EL SENTIDO COMÚN. NO UTILICE LA MÁQUINA CUANDO ESTÉ CANSADO O BAJO LA INFLUENCIA DE DROGAS, ALCOHOL O MEDICAMENTOS.** Un momento de distracción mientras se estén utilizando herramientas mecánicas podría causar lesiones.
- TOME PRECAUCIONES CONTRA LA INHALACIÓN DE POLVO.** El polvo generado por determinadas maderas y productos para madera puede ser perjudicial para su salud. Siempre opere la máquina en áreas con buena ventilación y encárguese de eliminar el polvo adecuadamente. Utilice un sistema de recolección de polvo, cuando esto sea posible.

NORMAS DE SEGURIDAD ADICIONALES PARA LAS SIERRAS DE MESA

⚠️ ADVERTENCIA

LEA Y COMPRENDA TODAS LAS ADVERTENCIAS Y LAS INSTRUCCIONES DE OPERACIÓN ANTES DE UTILIZAR ESTE EQUIPO. EL INCUMPLIMIENTO DE CUALQUIERA DE LAS INSTRUCCIONES ENUMERADAS A CONTINUACIÓN PUEDE PROVOCAR DESCARGA ELÉCTRICA, INCENDIO O LESIONES PERSONALES GRAVES O DAÑOS A LA PROPIEDAD.

- NO UTILICE ESTA MÁQUINA** hasta que esté completamente montada e instalada de acuerdo con las instrucciones.
- OBTenga ASESORAMIENTO** de su supervisor, instructor u otra persona calificada si no está completamente familiarizado con la utilización de esta máquina.
- SIGA TODOS LOS CÓDIGOS DE CABLEADO** y las conexiones eléctricas recomendadas.
- UTILICE LOS PROTECTORES SIEMPRE QUE SEA POSIBLE.** Asegúrese de que estén colocados en su sitio, sujetos firmemente y funcionando correctamente.
- EVITE EL RETROCESO:**
 - manteniendo la hoja afilada y libre de herrumbre y resina.
 - manteniendo el tope-guía para cortar al hilo paralelo a la hoja de sierra.
 - utilizando el protector de la hoja de sierra y el separador para todas las operaciones posibles, incluyendo el aserrado pasante.
 - empujando la pieza de trabajo más allá de la hoja de sierra antes de soltarla.
 - no cortando nunca al hilo una pieza de trabajo que esté torcida o combada, o que no tenga un borde recto para guiarla a lo largo del tope-guía.
 - utilizando tablas de canto biselado cuando no pueda utilizarse el dispositivo antirretroceso.
 - no aserrando nunca una pieza de trabajo grande que no pueda ser controlada.
 - no utilizando nunca el tope-guía como guía cuando se realicen cortes transversales.
 - no aserrando nunca una pieza de trabajo que tenga nudos sueltos u otros defectos.
- UTILICE SIEMPRE LOS PROTECTORES, EL SEPARADOR Y LOS DEDOS ANTIRRETROCESO,** excepto cuando se indique otra cosa en el manual.
- RETIRE LAS PIEZAS CORTADAS Y LOS RESIDUOS** de la mesa antes de arrancar la sierra. La vibración de la máquina puede hacer que dichas piezas y residuos se muevan hacia la hoja de sierra y salgan despedidos. Después de realizar el corte, apague la máquina. Cuando la hoja se haya detenido completamente, retire todos los residuos.
- NUNCA ARRANQUE LA MÁQUINA** con la pieza de trabajo contra la hoja.
- SUJETE FIRMEMENTE LA PIEZA DE TRABAJO** contra el calibre de ingletes o el tope-guía.
- NUNCA** haga pasar la pieza de trabajo entre el tope-guía y una fresa de moldurar.
- NUNCA** realice operaciones "a pulso". Utilice el tope-guía o el calibre de ingletes para posicionar y guiar la pieza de trabajo.
- UTILICE UNO O VARIOS PALOS DE EMPUJAR** para cortar al hilo una pieza de trabajo estrecha.
- EVITE LAS OPERACIONES DIFÍCILES Y LAS POSICIONES DIFÍCILES DE LAS MANOS** en las que un resbalón repentino podría hacer que una mano se mueva hacia la hoja.
- MANTENGA LOS BRAZOS, LAS MANOS Y LOS DEDOS** alejados de la hoja.
- NUNCA** haga que alguna parte de su cuerpo esté en línea con la trayectoria de la hoja de sierra.
- NUNCA PONGA LAS MANOS ALREDEDOR** de la hoja de sierra ni sobre ella.
- NUNCA** intente soltar una hoja de sierra parada sin apagar primero la máquina.
- SOPORTE APROPIADAMENTE** las piezas de trabajo LARGAS O ANCHAS.
- NUNCA REALICE TRABAJO DE INSTALACIÓN, MONTAJE** o preparación en la mesa/área de trabajo cuando la máquina esté en marcha.
- APAGUE LA MÁQUINA Y DESCONÉCTELA** de la fuente de alimentación antes de instalar o quitar accesorios, antes de ajustar o cambiar las preparaciones o al hacer reparaciones.
- APAGUE LA MÁQUINA,** desconéctela de la fuente de alimentación y limpie la mesa/área de trabajo antes de dejar la máquina. BLOQUEE EL INTERRUPTOR EN LA POSICIÓN DE APAGADO para impedir el uso no autorizado.
- HAY DISPONIBLE INFORMACIÓN ADICIONAL RELACIONADA CON LA UTILIZACIÓN SEGURA** y apropiada de esta herramienta a través del Instituto de Herramientas Mecánicas, Power Tool Institute, 1300 Summer Avenue, Cleveland, OH 44115-2851. También hay información disponible a través del Consejo Nacional de Seguridad, National Safety Council, 1121 Spring Lake Drive, Itasca, IL 60143-3201. Sírvase consultar los Requisitos de Seguridad para Máquinas de Elaboración de Madera ANSI 01.1 del Instituto Nacional Americano de Normas (American National Standards Institute) y las normas OSHA 1910.213 del Departamento de Trabajo de los EE.UU.

GUARDE ESTAS INSTRUCCIONES.

Refiérase a ellas con frecuencia y utilícelas para adiestrar a otros.

CONEXIONES ELÉCTRICAS

Debe utilizar un circuito eléctrico independiente para su máquina. Este circuito no debe ser menor a un cable N° 12 y debe estar protegido con un fusible de acción retardada de 20 amperios. Si utiliza un cable prolongador, debe ser únicamente de 3 conductores, que tenga enchufe a tierra de 3 patas y tomacorrientes correspondientes que acepten el enchufe de la máquina. Antes de conectar la máquina a la línea eléctrica, asegúrese de que el interruptor esté en la posición de "APAGADO" (OFF) y que la corriente eléctrica tenga las mismas características que indica la máquina. Todas las conexiones a la línea deben hacer un buen contacto. La máquina se dañará si está funcionando con bajo voltaje.

▲ PELIGRO RIESGO DE DESCARGA ELÉCTRICA. NO EXPONGA LA MÁQUINA A LA LLUVIA NI LA UTILICE EN LUGARES HÚMEDOS.

ESPECIFICACIONES DEL MOTOR

La máquina está cableada para corriente alterna de 120 V., 60 Hz. Antes de conectar la máquina a la fuente de alimentación, asegúrese de que el interruptor esté en la posición de apagado.

INSTRUCCIONES DE CONEXIÓN A TIERRA

▲ PELIGRO RIESGO DE DESCARGA ELÉCTRICA. ESTA MÁQUINA DEBE ESTAR CONECTADA A TIERRA MIENTRAS ESTÉ EN USO, PARA PROTEGER AL OPERADOR DE UNA DESCARGA ELÉCTRICA.

1. Todas las máquinas a tierra, conectadas por cables:

En caso de un mal funcionamiento o falla, la conexión a tierra proporciona un trayecto de la menor resistencia posible, para reducir el riesgo de que la corriente ocasione una descarga eléctrica. Esta máquina está equipada con un cable eléctrico que tiene un conductor y un enchufe para poner el equipo a tierra. El enchufe se debe utilizar con un tomacorriente adecuado que haya sido instalado correctamente y conectado a tierra de acuerdo con todos los códigos y las ordenanzas locales.

No cambie el enchufe suministrado; si no se adapta apropiadamente al tomacorriente, solicite a un electricista calificado que instale el tomacorriente correcto.

Como consecuencia de una conexión inadecuada del conductor a tierra del equipo, puede generarse riesgo de descargas eléctricas. El conductor a tierra del equipo es el que tiene un aislante de color verde en la superficie externa, con o sin bandas amarillas. Si fuera necesario reparar o reemplazar el cable eléctrico, no conecte el conductor a tierra del equipo a una terminal de baja tensión.

Llame a un electricista calificado o al personal de mantenimiento para que verifiquen las conexiones si no comprende completamente las instrucciones de conexión a tierra o si duda de que la máquina esté conectada a tierra correctamente.

Utilice solamente cables prolongadores de 3 conductores que tengan enchufes a tierra de 3 patas y tomacorrientes de 3 conductores que se adapten al enchufe de la máquina, como se muestra en la Fig. A.

Repáre o reemplace los cables dañados o gastados inmediatamente.

2. Máquinas conectadas por cable a tierra, diseñadas para utilizarse en un circuito de suministro con un índice nominal menor a 150 voltios:

Si la máquina está diseñada para utilizarse en un circuito que no posee un tomacorriente similar al que ilustra la Fig. A, tendrá un enchufe a tierra parecido al que ilustra la Fig. A. Puede utilizar un adaptador temporal similar al adaptador ilustrado en la Fig. B para conectar este enchufe al tomacorriente de 2 conductores correspondiente, como se muestra en la Fig. B, si no dispone de un tomacorriente con una buena conexión a tierra. El adaptador temporal únicamente debe usarse hasta tanto un electricista calificado haya instalado un tomacorriente conectado a tierra correctamente. La oreja, la lengüeta, o algo semejante, de color verde que sale del adaptador debe estar conectada a tierra en forma permanente por medio de una caja de tomacorriente conectada a tierra correctamente. Cuando se utilice el adaptador, debe estar fijo con un tornillo de metal.

NOTA: En Canadá, el Código Eléctrico Canadiense no permite el uso de un adaptador temporal.

▲ PELIGRO EN TODOS LOS CASOS, ASEGÚRESE DE QUE EL TOMACORRIENTE EN CUESTIÓN ESTÉ CONECTADO A TIERRA CORRECTAMENTE. SI NO ESTÁ SEGURO, CONTRATE A UN ELECTRICISTA CALIFICADO PARA QUE VERIFIQUE EL TOMACORRIENTE.

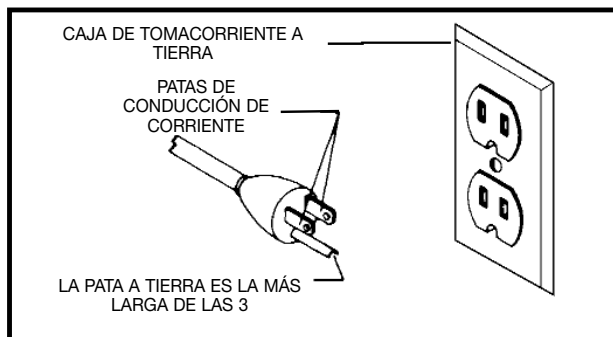


Fig. A

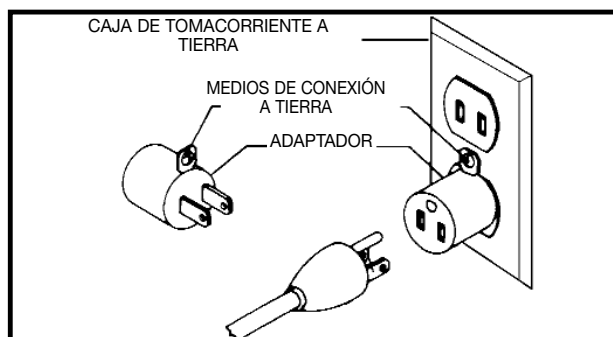


Fig. B

CABLES PROLONGADORES

PRECAUCIÓN

Use los cables prolongadores apropiados. Asegúrese de utilizar un cable prolongador en buenas condiciones y de que sea uno de 3 conductores con enchufe a tierra de 3 patas y el tomacorriente correspondiente que se adapte al enchufe de la máquina. Cuando utilice un cable prolongador, compruebe que tenga la capacidad para conducir la corriente de la máquina. Un cable de menor capacidad provocará una disminución en el voltaje de la línea, que producirá pérdida de potencia y sobrecalentamiento. La Fig. C muestra el calibre correcto que debe utilizarse de acuerdo con la longitud del cable. En caso de duda, utilice el calibre inmediatamente superior. Cuanto menor sea el número de calibre, más grueso será el cable.

CORDÓN DE EXTENSIÓN DE CALIBRE MÍNIMO			
<small>TAMAÑOS RECOMENDADOS PARA USO CON MÁQUINAS ELÉCTRICAS ESTACIONARIAS</small>			
Capacidad Nominal En Amperios	Voltios	Longitud Total Del Cordon En Pies	Calibre Del Cordon De Extensión
0-6	120	Hasta 25	18 AWG
0-6	120	25-50	16 AWG
0-6	120	50-100	16 AWG
0-6	120	100-150	14 AWG
6-10	120	Hasta 25	18 AWG
6-10	120	25-50	16 AWG
6-10	120	50-100	14 AWG
6-10	120	100-150	12 AWG
10-12	120	Hasta 25	16 AWG
10-12	120	25-50	16 AWG
10-12	120	50-100	14 AWG
10-12	120	100-150	12 AWG
12-16	120	Hasta 25	14 AWG
12-16	120	25-50	12 AWG
12-16	120	NO SE RECOMIENDA LONGITUDES MAYOR DE 50 PIES	

Fig. C

DESCRIPCIÓN DE LAS FUNCIONES

INTRODUCCIÓN

El modelo FS210LS posee una gran capacidad de sierra a un precio económico. Posee una mesa de aluminio extra grande de 431,8 mm x 863,6 mm (17" x 34") con extensión y alimentada por un motor para trabajo pesado de 15 amp. con engranaje de contraeje flotante, el más potente de su clase. Esta sierra está diseñada para brindar un rendimiento de alta calidad con una capacidad de profundidad de corte de hasta 76 mm (3") a 90° y 63,5 mm (2.5") a 45° para un corte limpio de tamaños de material estándar. Este paquete incluye la sierra, una base de metal, una guía de corte longitudinal, calibrador de inglete, una guarda de hoja transparente con hendedor y seguro antirretroceso, extensiones de la mesa, una hoja de sierra con punta de carburo de 254 mm (10"), inserto para mesa y llaves para cambio de hoja.

DESEMBALAJE Y LIMPIEZA

Desembale cuidadosamente la máquina y todos los elementos sueltos del o los contenedores de envío. Quite el recubrimiento protector de todas las superficies sin pintura. Puede quitarlo con un trapo suave humedecido con queroseno (no utilice acetona, gasolina ni solvente de barniz para este fin). Luego de limpiar, cubra las superficies sin pintura con cera en pasta de buena calidad que se utiliza para los pisos del hogar.

AVISO: LA FOTO EN LA TAPA DEL MANUAL ILUSTRRA EL MODELO FABRICADO EN LA ACTUALIDAD. TODAS LAS DEMÁS ILUSTRACIONES QUE APARECEN EN EL MANUAL SON SOLAMENTE REPRESENTATIVAS Y PUEDEN MOSTRAR UN COLOR, ETIQUETAS Y ACCESORIOS DIFERENTES A LOS REALES Y TIENEN EL ÚNICO PROPOSITO DE ILUSTRAR EL PROCEDIMIENTO.

ENSAMBLAJE

HERRAMIENTAS NECESARIAS PARA EL ENSAMBLAJE

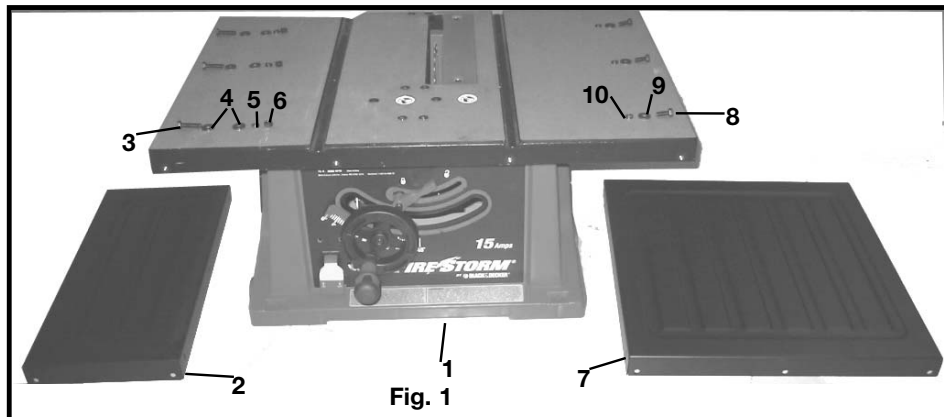
- 1.) Llave ajustable
- 2.) Llave de 13 mm para los pernos de soporte.
- 3.) Llave de 10 mm para los pernos de ensamble del hendedor, ensamble de los soportes traseros y el ensamble de las bases de extensión.
- 4.) Destornillador de cabeza plana.
- 6.) Destornillador Phillips.
- 5.) Escuadra de borde recto y/o de encuadre para los ajustes.

TIEMPO APROXIMADO PARA EL ENSAMBLAJE

2 horas

PARTES DE LA SIERRA DE MESA

- 1- Sierra
- 2- Base de extensión izquierda
- 3-Tornillo de cabeza hexagonal 1/4"-20X1" para la base de extensión izquierda (3)
- 4- Arandela plana de 6,35 mm (1/4") para la base de extensión izquierda (6)
- 5- Arandela de bloqueo de 6,35 mm (1/4") para la base de extensión izquierda (3)
- 6- Tuerca hexagonal de 1/4"-20 para la base de extensión izquierda (3)
- 7- Base de extensión derecha
- 8- Tornillo de cabeza hexagonal 1/4"-20X5/8" para la base de extensión derecha (3)
- 9- Arandela plana de 6,35 mm (1/4") para la base de extensión derecha (3)
- 10- Arandela de bloqueo de 6,35 mm (1/4") para la base de extensión derecha (3)



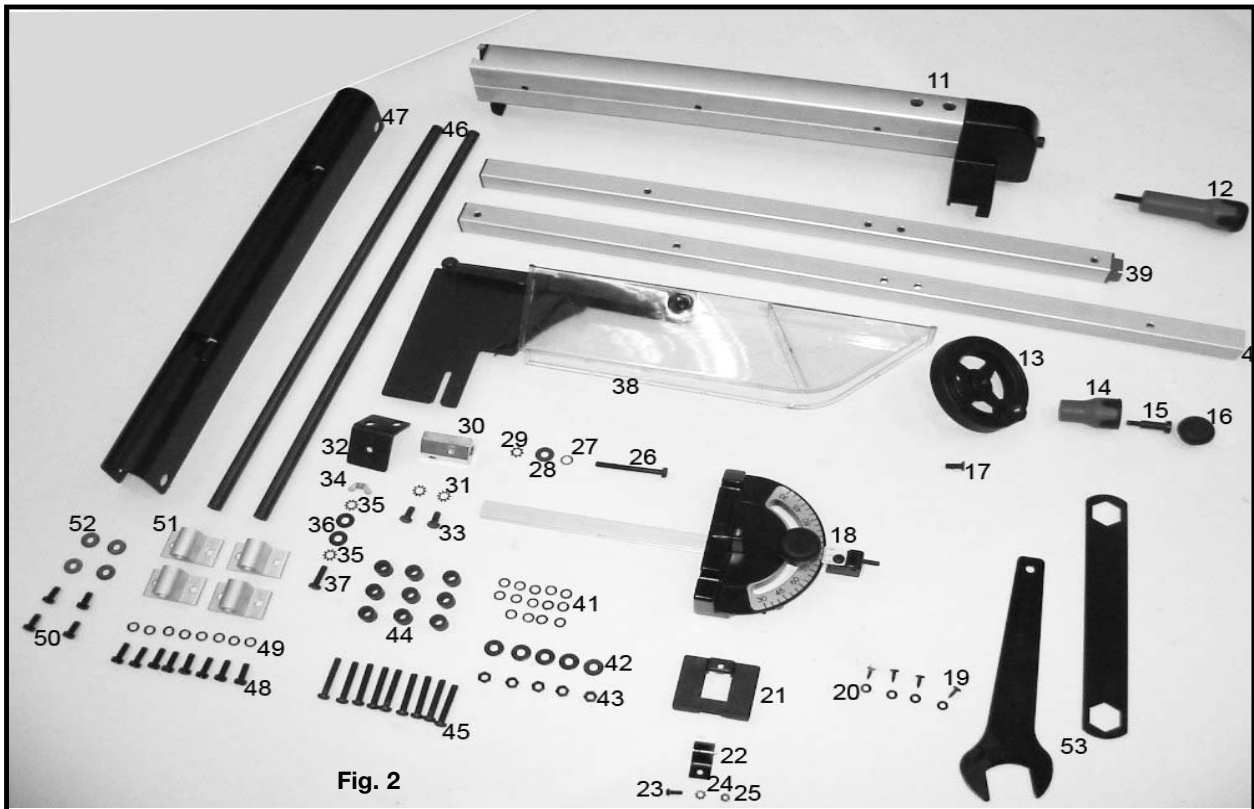


Fig. 2

PARTES DE LA GUÍA DE CORTE LONGITUDINAL (11,12)

11- Guía de corte longitudinal
12- Mango de bloqueo para la guía de corte longitudinal

PARTES DEL VOLANTE PARA ELEVAR LA HOJA (13,14,15,16,17)

13- Volante para elevar y bajar la hoja
14- Mango del volante para elevar y bajar la hoja
15- Tornillo para montar el mango del volante
16- Tapa para el mango
17- Tornillo de cabeza plan M6 X 1 X 12 mm para montar el volante para elevar y bajar la hoja
18- Calibrador de inglete

PARTES DEL SUJETADOR DEL CALIBRADOR DE INGLETE (19,20,21,22,23,24,25)

19- Tornillos de cabeza troncocónica M4, 2 X 10 mm para montar el sujetador del calibrador de inglete (4)
20- Arandela de bloqueo para montar el sujetador del calibrador de inglete (4)
21- Sujetador del calibrador de inglete
22- Pinza de resorte para el sujetador del calibrador de inglete
23- Tornillo de cabeza troncocónica M4 X 0,7 X 10 mm para el sujetador del calibrador de inglete
24- Arandela de bloqueo de diente externo de 4,763 mm (3/16") para el sujetador del calibrador de inglete
25- Tuerca hexagonal M4 X 0,7 mm para el sujetador del calibrador de inglete

PARTES DE LA ABRAZADERA DEL HENDEDOR (26,27,28,29,30,31,32,33,34,35,36,37)

26- Tornillo de cabeza hexagonal largo 1/4-20X2-1/4" para montar la abrazadera del hendedor
27- Arandela de bloqueo de diente interno de 6,35 mm (1/4") para montar la abrazadera del hendedor
28- Arandela plana de 6,35 mm (1/4") para montar la abrazadera del hendedor
29- Arandela de bloqueo de diente externo de 6,35 mm (1/4") para montar la abrazadera del hendedor
30- Abrazadera del hendedor

31- Arandela de bloqueo de diente externo de 6,35 mm (1/4") para la abrazadera del hendedor (2)
32- Abrazadera para el soporte del hendedor

33- Tornillos de cabeza hexagonal de 1/4-20 X 1/2" para la abrazadera del hendedor (2)
34- Tuerca mariposa para montar la abrazadera para el soporte del hendedor

35- Arandela de bloqueo de diente externo de 6,35 mm (1/4") para la abrazadera del hendedor (2)
36- Arandela plana de 6,35 mm (1/4") para montar la abrazadera para el soporte del hendedor (2)
37- Tornillo de cabeza hexagonal M6 X 1 X 20 mm para montar la abrazadera para el soporte del hendedor

38- Ensamble de guarda y hendedor

39- Riel de guía izquierdo

40- Riel de guía derecho

PARTES DEL RIEL DE GUÍA (41,42,43,44,45)

41- Arandela de bloqueo M6 para montar el riel de guía (14)

42- Arandela plana de 6,35 mm (1/4") para montar el riel de guía (5)

43- Tuerca hexagonal de 1/4"-20 para montar el riel y las bases de extensión (5)

44- Espaciadores para montar la guía (9)

45- Tornillos de cabeza redonda de 1/4"-20X1-1/4 para montar el riel de guía (9)

PARTES DEL SOPORTE DE AVANCE DE SALIDA (46,47,48,49,50,51,52)

46- Varilla para el soporte trasero (2)

47- Soporte trasero

48- Tornillo de cruz hexagonal de M6 X 1 X 15 mm para la abrazadera (8)

49- Arandela de bloqueo M6 para montar la abrazadera (8)

50- Tornillo de cabeza hexagonal de 1/4"-20 X 1/2" para la varilla (4)

51- Abrazadera (4)

52- Arandelas planas de 6,35 mm (1/4") para montar la varilla (4)

53- Llaves para cambiar las hojas

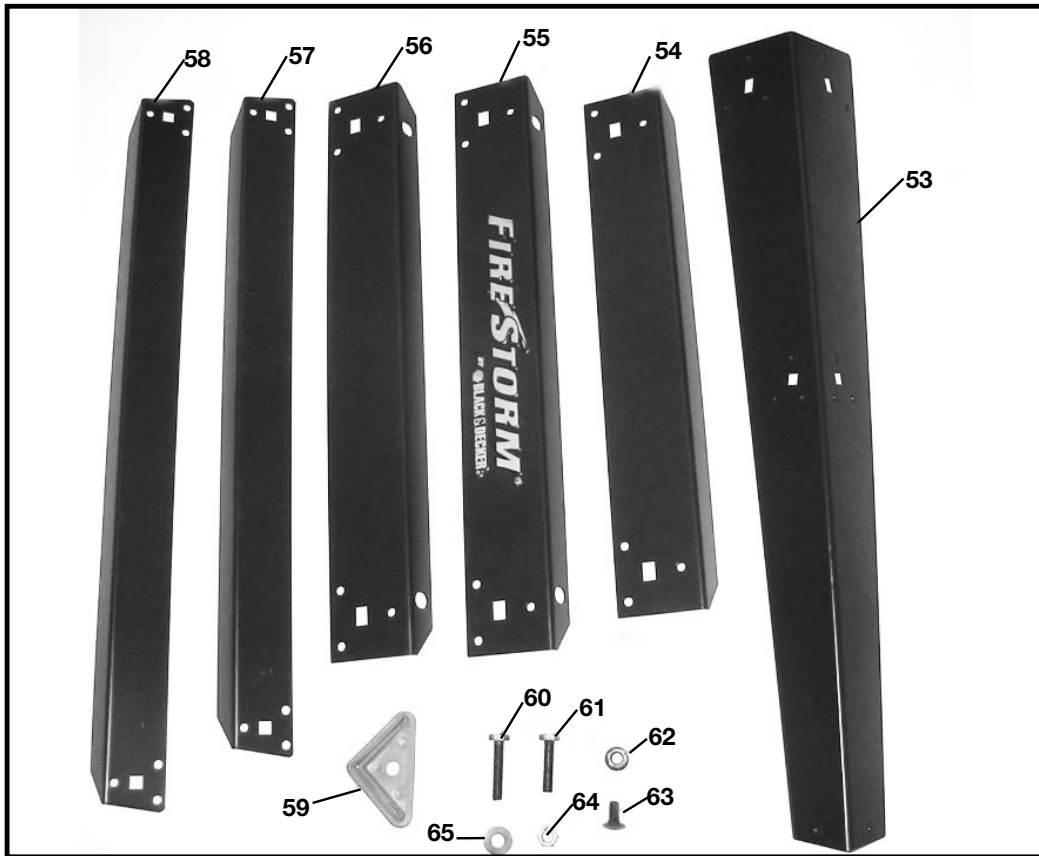


Fig. 3

PARTES DE LA BASE

- | | |
|--|---|
| 53- Pata (4) | 60- Tornillo de cabeza hexagonal M8 X 1,25 X 45 mm para la pata y la base (2) |
| 54- Abrazadera lateral superior (2) | 61- Tornillo de cabeza hexagonal M8 X 1,25 X 30 mm para la pata y la base (2) |
| 55- Abrazadera frontal superior | 62- Tuerca de bloqueo hexagonal de 7,93 mm (5/16") (16) |
| 56- Abrazadera trasera superior | 63- Perno de cabeza de hongo de 7,93 mm (5/16") (16) |
| 57- Abrazaderas superiores laterales (2) | 64- Tuerca hexagonal M8 (4) |
| 58- Abrazaderas frontales inferiores (2) | 65- Arandela plana M8 (8) |
| 59- Pie (4) | |

POR SU PROPIA SEGURIDAD, NO CONECTE LA MÁQUINA A LA FUENTE DE ALIMENTACIÓN HASTA QUE ESTÉ ARMADA COMPLETAMENTE. NO OPERE ESTA MÁQUINA HASTA QUE HAYA LEÍDO Y COMPRENDA TODO EL MANUAL DE INSTRUCCIONES

▲ ADVERTENCIA

SUJETADOR DEL CALIBRADOR DE INGLETE **DESCONECTE LA MÁQUINA DE LA FUENTE DE ENERGÍA.**

1. Ensamble la pinza de resorte (E), Fig. 4, al sujetador del calibrador de inglete (A) como se muestra, utilizando un tornillo de cabeza troncocónica M4 x 0,7 x 10 mm (F), una arandela de bloqueo de 4,763 mm (3/16") y una tuerca hexagonal M4 x 0,7. NOTA: la tuerca hexagonal (G), Fig. 5, encajará en la cavidad en la parte posterior del sujetador del calibrador de inglete (A) para fijar la pinza de resorte (E), Fig. 4, al sujetador del calibrador de inglete.
2. Ensamble el sujetador del calibrador de inglete (A), Fig. 6, al lado izquierdo del gabinete de la sierra con los cuatro tornillos de cabeza troncocónica M4 0,2 x 10 mm (B), Fig. 7 y las arandelas de 4,763 mm (3/16") (C) desde el interior del gabinete de la sierra.
3. La Fig. 8, ilustra el calibrador de inglete (D) insertado en el sujetador del calibrador de inglete cuando no se utiliza.

ENSAMBLAJE DE LA BASE

1. Las patas de la base poseen protuberancias que deben alinearse con los orificios en las abrazaderas superiores e inferiores. Ensamble la base como se muestra en la Fig. 9A, con 16 pernos de soporte y tuercas de bloqueo hexagonales. No ajuste el equipo por completo en este momento.

- A- Abrazadera delantera superior (con logotipo)
- B- Abrazadera trasera superior
- C- Abrazaderas laterales inferiores
- D- Abrazaderas delanteras y traseras inferiores
- E- Abrazaderas laterales superiores
- F- Pie

IMPORTANTE: LAS ABRAZADERAS DELANTERAS Y TRASERAS SUPERIORES (A Y B), FIG. 9A, SON MÁS LARGAS QUE LAS ABRAZADERAS LATERALES SUPERIORES (E), FIG. 9A. LAS ABRAZADERAS DELANTERA Y TRASERA INFERIORES (D), FIG. 9A, SON MÁS LARGAS QUE LAS ABRAZADERAS LATERALES INFERIORES (C).

2. Ensamble las patas de goma (F), Fig. 9A. **NOTA:** cada pata de goma viene provista con orificios para montar la base a la superficie del piso, si fuera necesario.

INSERCIÓN DE LA BOLSA RECOLECTORA DE POLVO

1. Conecte la bolsa recolectora de polvo al marco de la bolsa y coloque el marco de la bolsa recolectora de polvo dentro de la base de la sierra como se muestra en la Fig. 9B. Consulte la sección a continuación sobre cómo insertar este ensamble a la sierra.

SIERRA A LA BASE

1. De vuelta a la mesa de la sierra en un trozo de cartón para proteger la superficie de la mesa. Invierta la base sobre la sierra y alinee los cuatro orificios de la base con los orificios de montaje en la sierra.

2. Con los 2 tornillos más largos para la parte delantera, coloque una arandela plana M8 en un tornillo de cabeza hexagonal M8X1,25X45 mm. Inserte el tornillo de cabeza hexagonal a través del orificio de montaje en la sierra y el orificio en la base. Coloque otra arandela plana M8 en el tornillo de cabeza hexagonal y enrosque una tuerca hexagonal M8 x 1,25 en el mismo y ajuste sin excesiva firmeza. Repita este proceso para completar otro orificio en la parte delantera de la sierra.

Con los 2 tornillos más cortos para la parte trasera, coloque una arandela plana M8 en un tornillo de cabeza hexagonal M8 X 1,25 X 30 mm en la parte posterior de la sierra. Inserte el tornillo de cabeza hexagonal a través del orificio de montaje en la sierra y el orificio en la base. Coloque otra arandela plana M8 en el tornillo de cabeza hexagonal y enrosque una tuerca hexagonal M8 x 1,25 en el mismo y ajuste sin excesiva firmeza. Repita este proceso para completar otro orificio en la parte posterior de la sierra.

3. A continuación, gire la mesa de la sierra hacia arriba, como se muestra en la Fig. 9C (La sierra se muestra totalmente ensamblada en esta figura).

4. Presione la parte superior de la sierra de modo que las patas de la base se ajusten a la superficie del piso y ajuste todo el equipo de montaje de la base y el equipo de montaje que fija la sierra a la base.

ENSAMBLADO DE LA HOJA VOLANTE PARA ELEVAR Y BAJAR

1. Inserte el tornillo especial (C) a través del mango (B), Fig. 10, y ensamble el mango al volante (A) enroscando el tornillo en el sentido de las agujas del reloj en el volante. A continuación, presione la cubierta del mango (D).

2. La Fig. 11, ilustra el mango (B) ensamblado en el volante (A).

3. Ensamble el volante (A), Fig. 12, al eje (B) y asegúrese de que la parte plana dentro del volante esté alineada con la parte plana en el eje.

4. Ajuste el volante (A), Fig. 8, al eje (B), Fig. 12, con un tornillo de cabeza plana M6 x 1 x 12 mm (C), Fig. 13.

ENSAMBLE DE LA GUARDA DE LA HOJA Y DEL HENDEDOR

⚠ ADVERTENCIA DESCONECTE LA MÁQUINA DE LA FUENTE DE ENERGÍA.

1. IMPORTANTE: EL ENSAMBLE DE LA GUARDA DE LA HOJA Y DEL hendedor DEBE ESTAR CORRECTAMENTE ALINEADO A LA HOJA DE LA SIERRA PARA PREVENIR EL RETROCESO.

2. Coloque la hoja a 90 grados de la mesa y trábela en el lugar. Consulte la página 63, “Control de elevación y descenso de la hoja” y la página 63, “Control de inclinación de la hoja”.

3. Ajuste la abrazadera para el soporte del hendedor (A), Fig. 14, a la abrazadera del hendedor (B) con dos tornillos de cabeza hexagonal 1/4-20 x 1/2" (C) y dos arandelas de bloqueo de diente externo de 6,35 mm (1/4") como se muestra. **NOTA: no ajuste completamente los tornillos (C) en este momento.**
4. Ubique el tornillo de cabeza hexagonal 1/4-20 x 2-1/4" (G), Fig. 15, y ensamble la arandela de bloqueo de diente interno de 6,35 mm (1/4") (O), la arandela plana de 6,35 mm (1/4") (P) y la arandela de bloqueo de diente externo de 6,35 mm (1/4") (R) en el tornillo (G).
5. Coloque el extremo embutido (E), Fig. 16, de la abrazadera del hendedor (B) contra el extremo de la barra giratoria (F) y ajuste en su lugar utilizando el ensamble del PASO 4 anterior. **NOTA: no ajuste completamente el tornillo (C) en este momento.** El ensamble se muestra en la Fig. 17.
6. Posicione el hendedor (H), Fig. 18, en la abrazadera para el soporte del hendedor como se muestra y asegúrese de que las dos protuberancias (K) de la abrazadera para el soporte del hendedor estén dentro de la ranura del hendedor (H).
7. Ensamble el hendedor (H), Fig. 19, a la abrazadera para el soporte del hendedor (B), como se muestra con un tornillo de cabeza hexagonal M6 x 1 x 20 mm (L), la arandela de diente externo de 6,35 mm (1/4") y la arandela plana de 6,35 mm (1/4").
8. Ajuste el hendedor (H), Fig. 20, a la abrazadera para el soporte del hendedor con una arandela plana de 6,35 mm (1/4"), una arandela de diente externo de 6,35 mm (1/4") y una tuerca mariposa M6 (M). **NOTA:** antes de ajustar la tuerca mariposa (M) asegúrese de que haya un espacio de al menos 3,175 mm (1/8") entre el extremo inferior del hendedor (N) y la superficie superior de la mesa (P) y que las "clavijas" de las protuberancias (K), Fig. 20, estén dentro de la ranura del ensamble del hendedor (H).
9. Con un borde recto, verifique si el hendedor (H) Fig. 21, está alineado a la hoja de la sierra (R). Si fuera necesario realizar un ajuste, el hendedor (H) se puede rotar y mover hacia la izquierda o la derecha.
10. Cuando esté seguro de que el hendedor está alineado correctamente a la hoja de la sierra, ajuste los dos tornillos (C), Fig. 22, que ajustan la abrazadera del soporte del hendedor a la abrazadera del hendedor y ajuste el tornillo (G) que ajusta la abrazadera del hendedor a la barra giratoria.

BASES DE EXTENSIÓN

1. Ensamble la base de extensión, (Fig. 23), a la mesa de la sierra con los tornillos de cabeza hexagonal 1/4-20 X 1" (3), las arandelas planas de 6,35 mm (1/4") (6), las arandelas de bloqueo de 6,35 mm (1/4") (3), las tuercas hexagonales de 1/4" (3).
2. Ensamble la base de extensión derecha en los orificios enroscados de la sierra con los tornillos de cabeza hexagonal de 1/4"-20 X 5/8" (3), arandelas planas de 6,35 mm (1/4") (3) y arandelas de bloqueo de 6,35 mm (1/4") (3).
3. Con un borde recto, asegúrese de que los extremos superior, delantero y trasero de las bases de extensión estén nivelados con la mesa de la sierra antes de ajustar los tres tornillos que fijan la base de extensión a la mesa.

RIEL DE GUÍA A LA SIERRA

1. Sujutando el riel de guía con los orificios más grandes hacia usted, **ajuste sin demasiada firmeza los rieles de guía (A), Fig. 24, a los cuatro orificios enroscados (B) en la mesa de la sierra (C)** con dos tornillos largos de 1/4-20 x 1-1/4" (D), arandelas de bloqueo 1/4" (E) y espaciadores (F). **IMPORTANTE: los espaciadores (F), Fig. 24, están posicionados entre los rieles de guía (A) y la mesa de la sierra (C).**
2. **Ajuste los rieles de guía (A), Fig. 24, a las bases de extensión (G)** a través del orificio (K) con el tornillo largo de 1/4-20 x 1-1/4" (D), la arandela de bloqueo de 6,35 mm (1/4") (E), el espaciador (F), la arandela plana de 6,35 mm (1/4") (H), la arandela de bloqueo de 6,35 mm (1/4") (E) y la tuerca hexagonal de 1/4-20 (J). A continuación, ajuste todo el equipo de montaje del riel de guía. **IMPORTANTE: el espaciador (F), Fig. 24, está entre los rieles de guía (A) y las bases de extensión (G).**
3. La Fig. 25, ilustra los rieles de guía ensamblados correctamente a la mesa de la sierra y las bases de extensión.

GUÍA DE CORTE LONGITUDINAL

1. Visser l'écrou hexagonal M8x de 1,25 (A) fig. 26 à mi-chemin sur le goujon de la poignée (B).
2. Fixer la poignée (B) fig. 26 dans le trou fileté (C) de la came du guide. Serrer l'écrou hexagonal (A) fig. 26 contre la came (D).
3. Baje la guía de corte longitudinal a la mesa como se muestra en la Fig. 27, y asegúrese de que la abrazadera trasera se enganche en el extremo posterior de la mesa.
4. La guía de corte longitudinal generalmente se instala generalmente del lado derecho de la mesa de la sierra. Levante el mango de bloqueo (B) y posicione la guía en la mesa. Presione hacia abajo el mango (B) para bloquear la guía en su lugar en la mesa de la sierra.

CALIBRADOR DE INGLETE

El calibrador de inglete se envía completamente ensamblado y se proporciona con una barra de calibrador de inglete con una ranura en forma de T (A), Fig. 28, que se inserta en cualquiera de las dos ranuras del calibrador de inglete en forma de T ubicadas en la parte superior de la mesa, como se ilustra. El calibrador de inglete con ranura en forma de T evita que el calibrador de inglete se extienda más allá del frente de la mesa al cortar transversalmente piezas de madera muy anchas.

SOPORTE DE AVANCE DE SALIDA

1. Ajuste sin demasiada firmeza ambas abrazaderas (A), Fig. 29, al lado inferior izquierdo de la mesa de la sierra como se muestra con dos tornillos de cabeza hexagonal phillips M6 x 1 x 15 mm (B) y arandelas de bloqueo M6 0,1 (C). Ensamble las dos abrazaderas restantes al lado inferior derecho de la mesa de la sierra de la misma manera.
2. Inserte la varilla (D), Fig. 30, a través de los orificios en las abrazaderas (A), como se muestra. A continuación, enrosque y ajuste un tornillo de cabeza hexagonal 1/4-20 x 1/2" (E) y una arandela plana de 1/4" (F) en el extremo delantero de la varilla (D) como se muestra en (G). Ensamble la varilla restante en el lado opuesto de la sierra de la misma manera.
3. Inserte las varillas (D), Fig. 31, en los orificios más grandes (H) en el soporte de avance de salida (J) como se muestra.
4. Fije el soporte de avance de salida (J), Fig. 32, a las varillas (D) con dos tornillos de cabeza hexagonal 1/4-20 x 1/2" y arandelas planas de 6,35 mm (1/4") (K) como se muestra.
5. Empuje todo el ensamble de soporte de avance de salida (J), Fig. 33, hacia adentro hasta que entre en contacto con el ensamble del hendedor/guarda (L) como se muestra. A continuación, ajuste todo el equipo de montaje del soporte de avance de salida.
6. Coloque la arandela en el tornillo hexagonal de 1/4-20 x 1/2" y enrosque en el otro extremo de la varillas para evitar que se salgan de las abrazaderas del soporte de avance de salida.

CONTROLES DE OPERACIÓN Y AJUSTES

ENCENDIDO Y APAGADO DE LA SIERRA

El interruptor de encendido/apagado (A), Fig. 34, está ubicado en la parte delantera del gabinete de la sierra. Para "ENCENDER" la sierra, mueva el interruptor (A) hacia arriba hasta la posición de "ENCENDIDO" (ON). Para **▲ ADVERTENCIA "APAGAR"** la sierra, mueva el interruptor (A) hacia abajo hasta la posición de "APAGADO" (OFF). **ASEGÚRESE DE QUE EL INTERRUPTOR ESTÉ EN LA POSICIÓN DE "APAGADO" (OFF) ANTES DE ENCHUFAR EL CABLE DE ALIMENTACIÓN. EN CASO DE UN CORTE DE CORRIENTE, MUEVA EL INTERRUPTOR A LA POSICIÓN DE "APAGADO" (OFF). UN ARRANQUE ACCIDENTAL PODRÍA CAUSAR LESIONES.**

BLOQUEO DEL INTERRUPTOR EN LA POSICIÓN DE "APAGADO" (OFF)

IMPORTANTE: Cuando no utilice la herramienta, bloquee el interruptor en la posición de "APAGADO" para prevenir el uso no autorizado. Para bloquear la herramienta, tome la palanca del interruptor (B) y hale del interruptor hacia afuera (Fig. 35). Al quitar la palanca del interruptor (B), éste no operará. Sin embargo, si se extrajera la palanca del interruptor mientras la sierra está funcionando, la máquina se puede "APAGAR", pero no se puede volver a encender sin reinsertar la palanca del interruptor (B).

CONTROL DE ELEVACIÓN Y DESCENSO DE LA HOJA

Para elevar o bajar la hoja de la sierra, gire el volante (A), Fig. 36. Si gira el volante en el sentido de las agujas del reloj, la hoja descenderá y si lo gira en el sentido contrario a las agujas del reloj, la hoja se elevará.

⚠ ADVERTENCIA EL MANGO DE BLOQUEO DE INCLINACIÓN DE LA HOJA (B), FIG. 36, DEBE ESTAR TRABADO DURANTE TODAS LAS OPERACIONES DE CORTE.

CONTROL DE INCLINACIÓN DE LA HOJA

Para inclinar la hoja de la sierra, afloje el mango de bloqueo de inclinación (A), Fig. 37, mueva el volante (B) hasta que la hoja esté en el ángulo deseado y ajuste el mango de bloqueo (A). **NOTA:** el mango de bloqueo (A) funciona a resorte y se puede volver a colocar sacándolo del mango (A) y colocándolo en la clavija dentada debajo del mango.

⚠ ADVERTENCIA EL MANGO DE BLOQUEO DE INCLINACIÓN DE LA HOJA (A) DEBE ESTAR TRABADO DURANTE TODAS LAS OPERACIONES DE CORTE.

AJUSTE DE TOPES POSITIVOS A 90 Y 45 GRADOS

La sierra está equipada con topes positivos para un posicionamiento rápido y exacto de la hoja de la sierra a 90 y 45 grados de la mesa. Para ajustar los topes positivos, proceda de la siguiente forma:

⚠ ADVERTENCIA DESCONECTE LA MÁQUINA DEL SUMINISTRO DE ENERGÍA.

1. Eleve la hoja de la sierra a la altura máxima.

AJUSTAR UN TOPE POSITIVO A 90 GRADOS

2. Afloje el mango de bloqueo de inclinación de la hoja, mueva el mecanismo de inclinación de la hoja hacia la izquierda, tan lejos como sea posible, y ajuste el mango de bloqueo de inclinación de la hoja.

3. Coloque una escuadra (A), Fig. 38, en la mesa con un extremo contra la hoja, como se muestra, y verifique si la hoja está a 90 grados de la mesa. De lo contrario, afloje el tornillo (B) algunas vueltas y mueva el mecanismo de inclinación de la hoja hasta que ésta quede a 90 grados de la mesa. A continuación, ajuste el mango de bloqueo de inclinación de la hoja y ajuste el tornillo (B) hasta que llegue al fondo.

AJUSTAR UN TOPE POSITIVO A 45 GRADOS

4. Afloje el mango de bloqueo de inclinación de la hoja, mueva el mecanismo de inclinación de la hoja hacia la derecha, tan lejos como sea posible, y ajuste el mango de bloqueo de inclinación de la hoja.

5. Coloque una escuadra (A), Fig. 39, en la mesa con un extremo contra la hoja como se muestra y verifique si la hoja está a 45 grados en la mesa. De lo contrario, afloje el tornillo (C) algunas vueltas y mueva el mecanismo de inclinación de la hoja hasta que ésta quede a 45 grados de la mesa. A continuación, ajuste el mango de bloqueo de inclinación de la hoja y ajuste el tornillo (C) hasta que llegue al fondo.

OPERACIÓN DE LA GUÍA DE CORTE LONGITUDINAL Y AJUSTES

1. Para mover la guía de corte longitudinal (A), Fig. 40, a lo largo de la mesa, levante la palanca de bloqueo de la guía (B), deslice la guía a la ubicación deseada en la mesa y presione la palanca de bloqueo de la guía (B) para trabar la guía en su lugar.

2. Se proporciona un indicador para verificar la distancia entre la guía y la hoja de la sierra. Si se necesita ajustar el indicador, afloje el tornillo (C), Fig. 40, que ajusta el indicador al soporte de la guía y ajuste el indicador como corresponde. A continuación, ajuste el tornillo (C).

3. **IMPORTANTE: LA GUÍA DE CORTE LONGITUDINAL DEBE ESTAR CORRECTAMENTE ALINEADA A LA RANURA DEL CALIBRADOR DE INGLETE PARA EVITAR EL RETROCESO AL CORTAR LONGITUDINALMENTE.**

4. La hoja de la sierra viene instalada de fábrica en forma paralela a la ranura del calibrador de inglete y la guía debe estar en paralelo a la ranura del calibrador de inglete para poder realizar un trabajo exacto y evitar el retroceso al cortar longitudinalmente. Para verificar la alineación:
5. Coloque la guía en un extremo de la ranura del calibrador de inglete. Asegure la guía a la mesa empujando la palanca de bloqueo hacia abajo. El extremo de la guía debe estar alineado en forma paralela a la ranura del calibrador de inglete.
6. Si es necesario realizar un ajuste, realice el siguiente procedimiento:
7. Afloje los dos tornillos de cabeza Allen de 4,8 mm (3/16 pulg.) (D) Fig. 40 y levante la palanca de bloqueo (B). Mientras sostiene el soporte de la guía firmemente hacia el frente de la sierra, mueva la parte posterior de la guía (A) hasta que quede paralela a la ranura del calibrador de inglete. Ajuste los dos tornillos (D) y empuje la palanca de bloqueo hacia abajo (B).
8. La acción de sujeción de la guía (A), Fig. 40, puede ajustarse si levanta la palanca de bloqueo (B) y gira el tornillo (E) en el sentido de las agujas del reloj para aumentar la acción de sujeción de la guía o en el sentido contrario de las agujas del reloj para disminuirla.

AJUSTES Y OPERACIÓN DEL CALIBRADOR DE INGLETE

Para el corte transversal recto (con la hoja a 90 grados de la mesa), se puede utilizar el calibrador de inglete en cualquiera de las ranuras de la mesa. Para el corte transversal biselado (hoja inclinada) sólo use el calibrador de inglete en la ranura derecha de la mesa cuando la hoja esté inclinada lejos del calibrador de inglete y de sus manos.

El calibrador de inglete viene con topes indicadores regulables en forma individual a 90 grados y 45 grados a derecha e izquierda. Puede ajustar los topes indicadores si afloja las tuercas de bloqueo (B), Fig. 41, y ajusta o afloja los tres tornillos de ajuste (C) hasta que entren en contacto con el otro extremo de la clavija del tope (D) cuando el calibrador de inglete esté a 90 y 45 grados de la hoja de la sierra. A continuación, ajuste las tuercas de bloqueo (B).

Para operar el calibrador de inglete, simplemente afloje la perilla de bloqueo (E), Fig. 41, y mueva el cuerpo del calibrador de inglete al ángulo deseado. Al presionar la clavija del tope (D), el cuerpo del calibrador de inglete se detendrá a 90 grados y a 45 grados a la derecha y a la izquierda. Para girar el cuerpo del calibrador de inglete más allá de estos puntos, presione la clavija del tope hacia afuera (D).

AJUSTE DE LA HOJA EN PARALELO A LAS RANURAS DEL CALIBRADOR DE INGLETE

La hoja viene instalada de fábrica en forma paralela a las ranuras del calibrador de inglete. Para garantizar cortes precisos y prevenir el retroceso durante el corte, este ajuste debe verificarse nuevamente y, de ser necesario, reajustarse de la siguiente manera:

1. DESCONECTE LA MÁQUINA DEL SUMINISTRO DE ENERGÍA.

2. Eleve la hoja hasta la posición más alta y ajústela de modo que quede a 90 grados de la mesa.
3. Seleccione un diente de la sierra que esté hacia la izquierda. Marque este diente con un lápiz o un rotulador.
4. Con una escuadra de combinación, coloque el cuerpo (A), Fig. 42, de la escuadra contra la ranura del calibrador de inglete y ajuste la hoja (B) de la escuadra hasta que toque el diente marcado, como se muestra.
5. Gire la hoja y verifique el diente de la hoja marcada en la parte posterior de la mesa de la sierra de la misma forma, como se muestra en la Fig. 43.
6. Si las mediciones delanteras y posteriores (Figs. 42 y 43) no son idénticas, puede ajustar la hoja. Comience aflojando las tuercas debajo de los cuatro tornillos (C), Fig. 44, en la mesa. Luego afloje los tornillos (C). Mueva con cuidado la hoja de la sierra hasta que quede paralela a la ranura del calibrador de inglete. Una vez hecho esto, ajuste con firmeza las cuatro tuercas debajo de la mesa y los cuatro tornillos (C), Fig. 44.

NOTA: si no se puede obtener una regulación suficiente al aflojar los tornillos (C), también puede aflojar los tornillos (D) si es absolutamente necesario para realizar el ajuste.

NOTA: la guarda se ha extraído con fines ejemplificativos solamente.

CAMBIO DE LA HOJA

▲ ADVERTENCIA DESCONECTE LA MÁQUINA DEL SUMINISTRO DE ENERGÍA. USE SOLAMENTE HOJAS DE 254 MM (10") DE DIÁMETRO CON ORIFICIOS PARA EL EJE DE 15,9 MM (5/8"), CON UNA VELOCIDAD DE 5000 RPM O MAYOR.

1. Eleve la hoja de la sierra a la altura máxima y extraiga el inserto para mesa (A), Fig. 45.
2. Con la llave abierta (B), Fig. 45, colóquela en las partes planas en el interior de la brida de la hoja para evitar que el eje de la sierra gire y retire la tuerca del eje (C) con la llave (D). Gire la tuerca (C) en el sentido contrario a las agujas del reloj para extraerla. Quite la brida externa de la hoja (E) y la hoja de la sierra (F).
3. Ensamble la hoja nueva, asegúrese de que los dientes de la hoja apunten hacia abajo en la parte delantera de la mesa de la sierra y ensamble la brida externa (E), Fig. 44, y la tuerca de eje (C). Ajuste la tuerca (C) con la llave (D) girándola en el sentido de las agujas del reloj mientras sujeta el eje inmóvil con la otra llave (B).
4. Vuelva a colocar el inserto para mesa.

OPERACIONES MÁS COMUNES DE CORTE CON SIERRA

Las operaciones comunes de corte con sierra incluyen los cortes longitudinales y transversales, además de algunas otras operaciones estándar fundamentales. Como sucede con todas las máquinas eléctricas, hay un determinado margen de peligro relacionado con el funcionamiento y el uso de la máquina. El uso de la máquina de conformidad con las medidas de seguridad, y con la precaución que éstas exigen, disminuirá considerablemente la posibilidad de lesiones personales. No obstante, si no se presta la debida atención a las medidas de seguridad normales o se las ignora por completo, el operador puede lesionarse. La siguiente información describe el método adecuado y seguro de realizar las operaciones más comunes de corte con sierra.

⚠ ADVERTENCIA EL USO DE SUPLEMENTOS Y ACCESORIOS NO RECOMENDADOS PUEDE PROVOCAR RIESGOS DE LESIONES AL USUARIO O A OTRAS PERSONAS.

CORTE TRANSVERSAL

El corte transversal requiere el uso de un calibrador de inglete para guiar y ubicar la pieza de trabajo. Coloque la pieza contra el calibrador de inglete y lleve el calibrador y la pieza hacia la hoja de la sierra, como muestra la Fig. 46. El calibrador de inglete se puede usar en cualquiera de las dos ranuras de la mesa. Cuando realice un corte biselado (con la hoja inclinada), utilice la ranura de la mesa que no interfiera con su mano o el calibrador de inglete con la guarda de la hoja de la sierra.

Comience el corte lentamente y sostenga el trabajo con firmeza contra el calibrador de inglete y la mesa. Una de las reglas para el funcionamiento de una sierra es que nunca debe tocar o colgarse de una pieza de trabajo suelta. Sostenga la parte apoyada, no la parte suelta que se corta. La alimentación en el corte transversal continúa hasta que el trabajo se corte en dos, y tanto el calibrador de inglete como el trabajo se vuelvan a colocar en el punto inicial. Antes de eso, es aconsejable correr la pieza de trabajo un poco hacia un lado para alejarla ligeramente de la hoja de la sierra.

Nunca tome ningún trozo pequeño que quedó suelto en la mesa mientras la sierra está en funcionamiento. **Nunca** toque una pieza cortada a menos que tenga por lo menos 30 cm (un pie) de longitud.

Para mayor seguridad y conveniencia, el calibrador de inglete puede ajustarse con un revestimiento de madera auxiliar. Este revestimiento de madera auxiliar puede sujetarse al frente del calibrador de inglete con dos tornillos para madera a través de las ranuras (A), Fig. 45, provistas en el cuerpo del calibrador y del revestimiento de madera.

⚠ ADVERTENCIA NUNCA USE LA GUÍA COMO UN CALIBRADOR PARA EL CORTE TRANSVERSAL.

Cuando corte transversalmente un número de piezas de la misma longitud, puede fijar un bloque de madera (B), Fig. 46A, a la guía y utilizarlo como calibrador de corte. Es importante que este bloque de madera siempre esté ubicado delante de la hoja de la sierra como se muestra en la ilustración. Una vez determinada la longitud del corte, asegure la guía y utilice el calibrador de inglete para introducir el trabajo en el corte. Este bloque de madera permite que la pieza cortada se mueva libremente a lo largo de la superficie de la mesa sin quedar atascada entre la guía y la hoja de la sierra; de este modo, la posibilidad de retroceso y lesiones al operador es menor.

⚠ PRECAUCIÓN CUANDO UTILICE EL BLOQUE (B), FIG. 46A, COMO CALIBRADOR DE CORTE, ES MUY IMPORTANTE QUE EL EXTREMO POSTERIOR DEL BLOQUE ESTÉ UBICADO DE MODO QUE LIBERE LA PIEZA DE TRABAJO ANTES DE QUE ÉSTA ENTRE EN CONTACTO CON LA HOJA.

CORTE LONGITUDINAL

El corte longitudinal se realiza a lo largo de una tabla. La guía de corte longitudinal (A), Fig. 47, se utiliza para posicionar y guiar el trabajo. Un borde del trabajo corre contra la guía de corte longitudinal mientras que el lado plano de la tabla descansa sobre la mesa. Debido a que el trabajo es empujado a lo largo de la guía, debe tener un borde recto y un contacto firme con la mesa. Se debe usar la guarda de la hoja de la sierra. La guarda tiene seguros antirretroceso para prevenir el retroceso y un hendedor para evitar que el corte de la madera se cierre y atasque la hoja.

1. Encienda el motor y haga avanzar el trabajo, sosteniéndolo hacia abajo y contra la guía. **Nunca** se pare en la línea de corte de la sierra mientras realiza el corte longitudinal. Sostenga el trabajo con ambas manos y empujelo a lo largo de la guía y hacia la hoja de la sierra (Fig. 48). Luego puede introducirlo en la hoja de la sierra con una o ambas manos. Después de que el trabajo pasó la hoja de la sierra y los seguros antirretroceso, retire la mano. Una vez terminado esto, el trabajo quedará en la mesa, apenas inclinado y atrapado por el extremo de la guía posterior, o se deslizará de la mesa al piso. Alternativamente, la alimentación puede continuar hasta el final de la mesa y después de eso, se levanta el trabajo y se lo lleva junto al borde externo de la guía. El material cortado permanece en la mesa y no debe tocarse hasta que se haya detenido la hoja de la sierra, a menos que la pieza sea grande y permita una remoción sin peligro. Cuando se cortan longitudinalmente tablas de más de 90 cm (3 pies) de largo, se recomienda extender lo más posible el soporte de avance de salida (B), Fig. 47, para evitar que la sierra se caiga de la mesa de la sierra.

2. Si el trabajo cortado longitudinalmente tiene menos de 10 cm (4 pulgadas) de ancho, siempre debe usarse una vara para empujar completamente la alimentación, como se muestra en la Fig. 49. La vara para empujar puede realizarse fácilmente a partir de material de desecho, según se explica en la sección "CONSTRUCCIÓN DE UNA VARA PARA EMPUJAR".

3. El corte longitudinal de piezas angostas puede resultar peligroso si no se hace con cuidado. Generalmente, las piezas angostas no pueden cortarse con la guarda en su lugar. Si la pieza de trabajo es muy corta, utilice una tabla para empujar. Cuando corta material de un ancho menor a 5 cm (2 pulgadas), una tabla plana para empujar es un accesorio provechoso, dado que las varas comunes pueden interferir con la guarda de la hoja. Cuando use una tabla para empujar, se debe sumar el ancho de ésta al ancho de la configuración de la posición de la guía de corte longitudinal. Una tabla plana para empujar puede construirse como se ve en la Fig. 50 y debe utilizarse como se muestra en la Fig. 48.

NOTA: algunas operaciones especiales requieren que se incorpore a la guía un revestimiento de madera auxiliar, como se explica en la sección **“UTILIZACIÓN DE UN REVESTIMIENTO DE MADERA EN LA GUÍA DE CORTE LONGITUDINAL”**, y el uso de una vara para empujar.

UTILIZACIÓN DE UN REVESTIMIENTO DE MADERA EN LA GUÍA DE CORTE LONGITUDINAL

Los revestimientos de madera (A) Fig. 51, son necesarios en algunas operaciones especiales en uno o ambos lados de la guía de corte longitudinal. El revestimiento de madera se sujeta a la guía con tornillos a través de los orificios de la guía. La mayoría de los trabajos necesitarán material de 19,05 mm (3/4”), aunque algún trabajo eventual podría requerir un revestimiento de 25,4 mm (1”).

CABEZAL PORTACUCHILLA ACCESORIO PARA RANURAS

NOTA: EL ANCHO MÁXIMO DE CORTE DE RANURAS PARA ESTA SIERRA ES DE 12,7 MM (1/2 PULGADA).

⚠ ADVERTENCIA EL ENSAMBLE DE LA GUARDA DE LA HOJA Y EL HENDEADOR NO PUEDE SER UTILIZADO AL REALIZAR RANURAS. DEBE EXTRAERSE.

Antes de ranurar, afloje la tuerca de mariposa (A), Fig. 52, y quite el conjunto de protector de la hoja y separador (B). Tenga a mano el conjunto para colocarlo de nuevo después de ranurar.

1. Cortar ranuras consiste en realizar un rebajo o surco ancho en la pieza de trabajo. La mayoría de los juegos de cabezales para ranuras están compuestos de dos sierras externas y cuatro o cinco cuchillas internas, (Fig. 53). Se utilizan diversas combinaciones de sierras y cuchillas para cortar ranuras de 3,17 mm a 20,63 mm (1/8" a 13/16") aproximadamente para la instalación de estantes y la realización de uniones, espigas, ranuras, etc. Las cuchillas son muy dentadas y deben estar dispuestas de tal modo que la porción pesada caiga dentro de los pasos de las sierras externas, como se muestra en la Fig. 54. La superposición de la sierra y la cuchilla se distingue en la Fig. 55, siendo (A) la sierra externa, (B) una cuchilla interna y (C) una arandela o arandelas de papel, usadas según sea necesario para controlar el ancho exacto de la ranura. Para cortar una ranura de 6,35 mm (1/4”) aproximadamente se utilizan dos sierras externas. Los dientes de las sierras deben estar ubicados de manera que el rastrillador de una sierra quede junto a los dientes de corte de la otra sierra.

2. Sujete el juego de cabezales para ranuras (D) Fig. 56, al eje de la sierra.

NOTA: LA BRIDA EXTERNA DEL EJE NO PUEDE UTILIZARSE CON EL JUEGO DE CABEZALES PARA RANURAS; AJUSTE LA TUERCA DEL EJE CONTRA EL CUERPO DEL JUEGO DE CABEZALES PARA RANURAS. NO PIERDA LA BRIDA EXTERNA DEL EJE. SERÁ NECESARIA AL REAJUSTAR UNA HOJA AL EJE.

⚠ PRECAUCIÓN EL INSERTO PARA MESA DEL JUEGO DE CABEZALES PARA RANURAS (E) FIG. 56, DEBE UTILIZARSE EN LUGAR DEL INSERTO ESTÁNDAR.

⚠ ADVERTENCIA EL ENSAMBLE DE GUARDA DE LA HOJA Y HENDEADOR NO PUEDE UTILIZARSE CUANDO SE REALICEN CORTES DE RANURAS Y SE DEBE EXTRAER O LLEVAR HACIA LA PARTE POSTERIOR DE LA SIERRA. ADEMÁS, SE DEBEN USAR BARRAS, ACCESORIOS, VARAS PARA EMPUJE Y TABLAS DE CANTO BISELADO.

3. La Fig. 57 muestra una operación típica de corte de ranura con el calibrador de inglete como guía.

⚠ PRECAUCIÓN NUNCA UTILICE EL CABEZAL PARA RANURAS EN LA POSICIÓN DE BISELADO.

⚠ ADVERTENCIA SIEMPRE INSTALE LA GUARDA DE LA HOJA LUEGO DE QUE HAYA FINALIZADO LA OPERACIÓN.

CONSTRUCCIÓN DE UNA TABLA DE CANTO BISELADO

La Fig. 58 ilustra las dimensiones para realizar una tabla de canto biselado típica. El material de la tabla de canto biselado debe ser una pieza de madera recta que no tenga nudos ni grietas. Las tablas de canto biselado se utilizan para mantener el trabajo en contacto con la guía y la mesa y para prevenir retrocesos. Sujete la tabla de canto biselado a la guía y la mesa de modo que el borde guía de la tabla de canto biselado sostenga la pieza de trabajo hasta que se complete el corte. Utilice tablas de canto biselado para todas las operaciones que no sean longitudinales o transversales, donde el ensamble de guarda y esparcidor debe extraerse (vea la Fig. 59). Siempre vuelva a colocar el ensamble de guarda y esparcidor cuando la operación haya finalizado.

GUÍA DE DETECCIÓN DE PROBLEMAS

ASEGÚRESE DE SEGUIR LAS REGLAS E INSTRUCCIONES DE SEGURIDAD

PROBLEMA: LA SIERRA NO ENCIENDE

¿QUÉ SUCEDE?

1. La sierra no está enchufada.
2. Fusible quemado o interruptor automático activado.
3. Cable dañado.
4. Cepillos gastados.

QUÉ HACER...

1. Enchufe la sierra.
2. Reemplace el fusible o reinicie el interruptor automático.
3. Lleve al centro de mantenimiento autorizado para que le cambien el cable.
4. Lleve al el centro de mantenimiento autorizado para que le cambien los cepillos.

PROBLEMA: la sierra realiza cortes no satisfactorios

¿QUÉ SUCEDE?

1. Hoja sin filo.
2. Hoja montada al revés.
3. Depósitos de goma o grumos de resina sobre la hoja.
4. Hoja incorrecta para el trabajo que se realiza.

QUÉ HACER...

1. Reemplace la hoja.
2. Gire la hoja.
3. Retire la hoja y limpie con aguarrás.
4. Cambie la hoja.

PROBLEMA: I : LA HOJA NO ALCANZA VELOCIDAD

¿QUÉ SUCEDE?

1. Cable prolongador demasiado liviano o demasiado largo.
2. Baja corriente en el hogar.

QUÉ HACER...

1. Reemplácelo por un cable de tamaño adecuado.
2. Comuníquese con la empresa de energía eléctrica.

PROBLEMA: LA MÁQUINA VIBRA EXCESIVAMENTE.

¿QUÉ SUCEDE?

1. La base está sobre un piso disparejo.
2. Hoja de sierra dañada.

QUÉ HACER...

1. Reubique sobre una superficie plana.
2. Reemplace la hoja.

PROBLEMA: NO REALIZA CORTES DE INGLETE PRECISOS

¿QUÉ SUCEDE?

1. La escala de inglete no está correctamente regulada.
2. La hoja no está en escuadra con la guía.
3. La hoja no está perpendicular a la mesa
4. La pieza de trabajo se mueve.

QUÉ HACER...

1. Verifíquela y ajústela.
2. Verifíquela y ajústela.
3. Verifique y ajuste la guía.
4. Sujete la pieza de trabajo a la guía o adhiera un papel de lija número 120 a la guía con cemento para caucho.

PROBLEMA: EL MATERIAL MUERDE LA HOJA

¿QUÉ SUCEDE?

1. Corte de material curvado.
2. La guía de corte longitudinal no está paralela a la hoja.

QUÉ HACER...

1. Posicione el material curvado con el lado cóncavo o hueco hacia abajo.
2. Vuelva a alinear la guía de corte longitudinal.

PROBLEMA: NO SE PUEDE BLOQUEAR LA HOJA EN LA POSICIÓN DE BISELADO

¿QUÉ SUCEDE?

1. El mango de bloqueo de inclinación de la hoja está demasiado suelto.

QUÉ HACER...

1. Retire la elevación y el descenso de la hoja con el volante.
 2. Retire el tornillo de cabeza plana del mango de bloqueo.
 3. Ajuste el mango de bloqueo de inclinación de la hoja. El mango de bloqueo (A) funciona a resorte y puede cambiar de posición si se desliza el mango hacia afuera (A) y se vuelve a posicionar en la clavija dentada ubicada debajo del mango.
 4. Vuelva a colocar el tornillo de cabeza plana.
- NOTA: después de ajustar, coloque el mango en la posición hacia abajo.

CONSTRUCCIÓN DE UNA VARA PARA EMPUJAR

Cuando realice un corte longitudinal en una pieza con un ancho menor a 10 cm (4 pulgadas), puede utilizar una vara para empujar a fin de completar la introducción en la hoja. Esta vara se puede hacer fácilmente con material de desecho, siguiendo la ilustración de la Fig. 60.

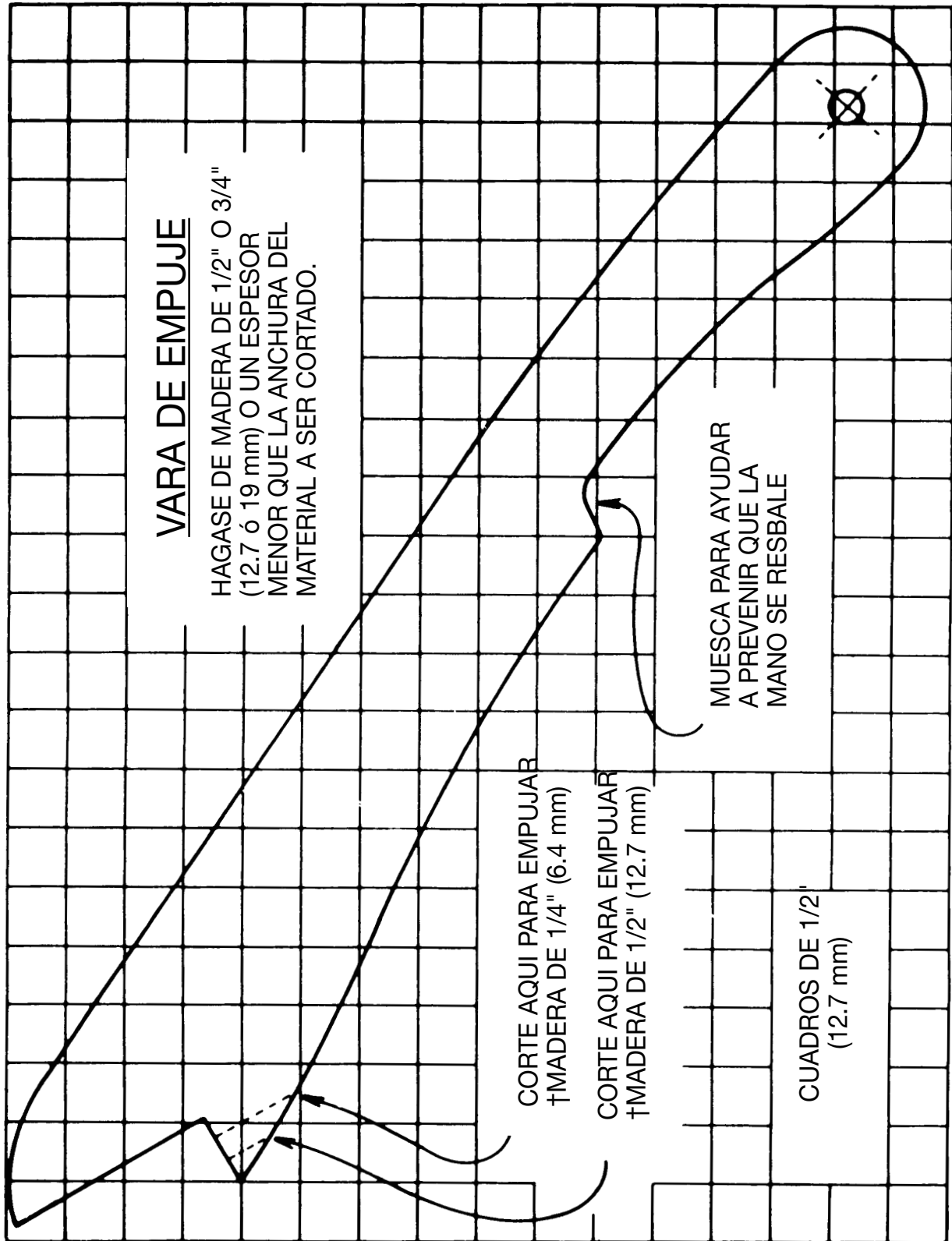


Fig. 59

ACCESORIOS

Los accesorios que se recomiendan para la herramienta están disponibles en su distribuidor local o en el centro de mantenimiento autorizado. Si necesita ayuda con respecto a los accesorios, llame al: (55)5326-7100.

⚠ ADVERTENCIA el uso de accesorios no recomendados para utilizar con esta herramienta puede resultar peligroso.

Mantenimiento

Para limpiar la herramienta, sólo utilice jabón suave y un paño húmedo. Nunca permita que penetre líquido dentro de la herramienta y nunca sumerja ninguna de las piezas en un líquido.

IMPORTANTE: para garantizar la SEGURIDAD y CONFIABILIDAD del producto, las reparaciones, el mantenimiento y los ajustes (los que no estén enumerados en este manual) se deben realizar en los centros de mantenimiento autorizados o en otras organizaciones de mantenimiento calificadas, utilizando siempre piezas de repuesto idénticas.

Información de mantenimiento

Black & Decker ofrece una amplia red de puntos de servicio propios y autorizados en toda Norteamérica. Todos los Centros de mantenimiento de Black & Decker cuentan con personal altamente capacitado dispuesto a brindar a todos los clientes un servicio eficiente y confiable en la reparación de herramientas eléctricas.

Si necesita consejo técnico, reparaciones o piezas de repuesto originales de fábrica, póngase en contacto con el centro de mantenimiento de Black & Decker más cercano a su domicilio.

Para ubicar a su servicio local, consulte "Herramientas eléctricas" (Tools-Electric) en la sección amarilla, o llame al: (55)5326-7100 www.blackanddecker.com

Garantía completa de dos años para uso en el hogar

Black & Decker (EE.UU.) Inc. ofrece una garantía de dos años por cualquier defecto del material o de fabricación de este producto. El producto defectuoso se reparará o reemplazará sin costo alguno de una de las siguientes maneras:

La primera opción, el reemplazo, es devolver el producto al comercio donde se lo adquirió (siempre y cuando se trate de un comercio participante). Las devoluciones deben realizarse conforme a la política de devolución del comercio (generalmente, entre 30 y 90 días posteriores a la venta). Le pueden solicitar comprobante de compra. Consulte en el comercio acerca de la política especial sobre devoluciones una vez excedido el plazo establecido.

La segunda opción es llevar o enviar el producto (con flete pago) a un Centro de mantenimiento propio o autorizado de Black & Decker para su reparación o reemplazo según nuestro criterio. Le pueden solicitar comprobante de compra. Encontrará una lista de los centros de mantenimiento autorizados y de propiedad de Black & Decker en "Herramientas eléctricas" en las páginas amarillas de la guía telefónica.

Esta garantía no se extiende a los accesorios. Esta garantía le concede derechos legales específicos que pueden variar según el estado. Ante cualquier inquietud, comuníquese con el Centro de mantenimiento de Black & Decker más cercano.

Este producto no es para uso comercial.

REEMPLAZO GRATUITO DE LAS ETIQUETAS DE ADVERTENCIA: Si sus etiquetas de advertencia se vuelven ilegibles o faltan, llame al (55)5326-7100 para que se le reemplacen gratuitamente.

Nota especial sobre la GARANTÍA a contratistas:

Los productos de marca FIRESTORM™ son herramientas de uso doméstico de calidad e incluyen una **GARANTÍA POR USO DOMÉSTICO**. Estas herramientas han sido diseñadas, fabricadas y probadas para satisfacer y superar las necesidades de los aficionados a trabajos independientes, en la ejecución de proyectos y la realización de reparaciones en toda la casa. Si las utiliza correctamente, le proporcionarán potencia y rendimiento superiores mucho después de los dos años de garantía. Sin embargo, si usted utiliza las herramientas para trabajar y usa productos de marca FIRESTORM™ o cualquier otra herramienta Black & Decker para uso doméstico en sitios de trabajo, debe saber que **NO ESTARÁN CUBIERTAS POR NUESTRA GARANTÍA**.

Para reparación y servicio de sus herramientas eléctricas, favor de dirigirse al Centro de Servicio más cercano:

CULIACAN, SIN
Av. Nicolás Bravo #1063 Sur
(667) 7 12 42 11
Col. Industrial Bravo

GUADALAJARA, JAL
Av. La Paz #1779
(33) 3825 6978
Col. Americana Sector Juárez

MEXICO, D.F.
Eje Central Lázaro Cardenas
No. 18
(55) 5588 9377
Local D, Col. Obrera

MERIDA, YUC
Calle 63 #459-A
(999) 928 5038
Col. Centro

MONTERREY, N.L.
Av. Francisco I. Madero
No.831
(81) 8375 2313
Col. Centro

PUEBLA, PUE
17 Norte #205
(222) 246 3714
Col. Centro

QUERETARO, QRO
Av. Madero 139 Pte.
(442) 214 1660
Col. Centro

SAN LUIS POTOSI, SLP
Av. Universidad 1525
(444) 814 2383
Col. San Luis

TORREON, COAH
Blvd. Independencia, 96 Pte.
(871) 716 5265
Col. Centro

VERACRUZ, VER
Prolongación Díaz Mirón #4280
(229)921 7016
Col. Remes

VILLAHERMOSA, TAB
Constitución 516-A
(993) 312 5111
Col. Centro

PARA OTRAS LOCALIDADES LLAME AL: (55) 5326 7100

IMPORTADOR: BLACK & DECKER S.A. DE C.V.
BOSQUES DE RADIATAS NO. 42
BOSQUES DE LAS LOMAS, 05120 MEXICO,
D.F.
TEL (55)5326-7100

Para servicio y ventas consulte
"HERRAMIENTAS ELECTRICAS"
en la sección amarilla.



ESPECIFICACIONES

120V
60 Hz
15 A
1674 W