

MM525

CONVERTIBLE MULCHER

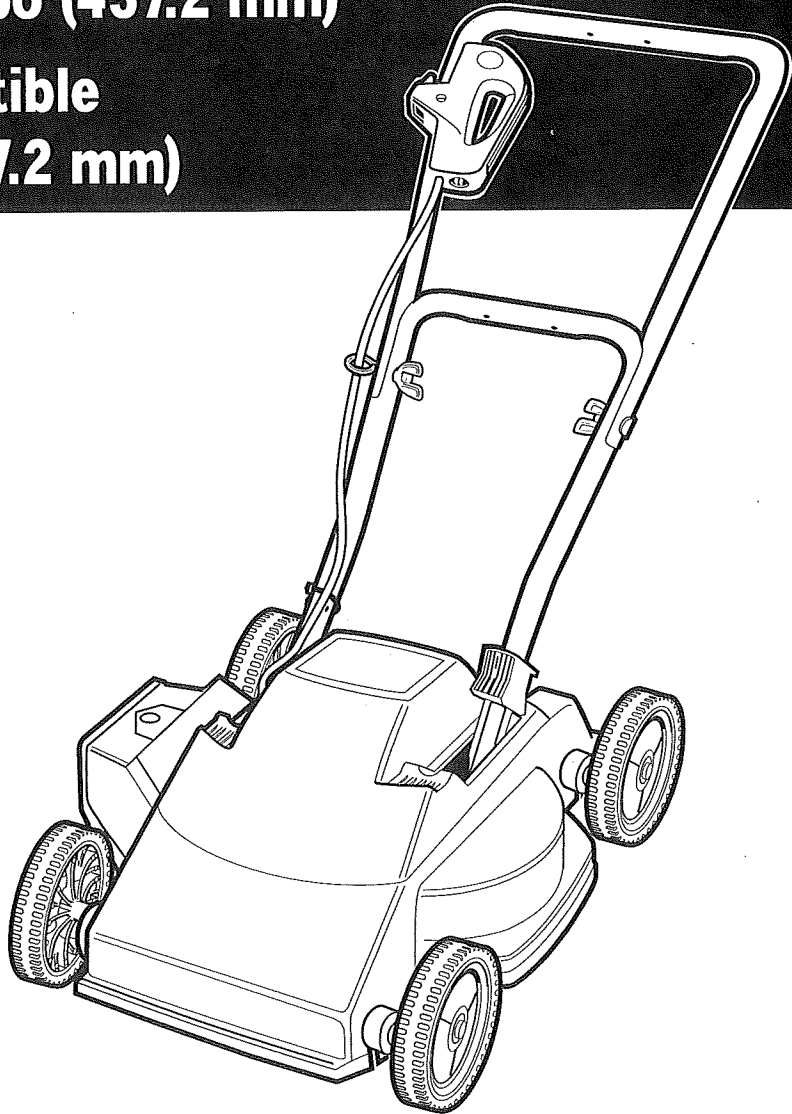
18" (457.2 mm) Electric

TONDEUSE-DÉCHIQUETEUSE CONVERTIBLE

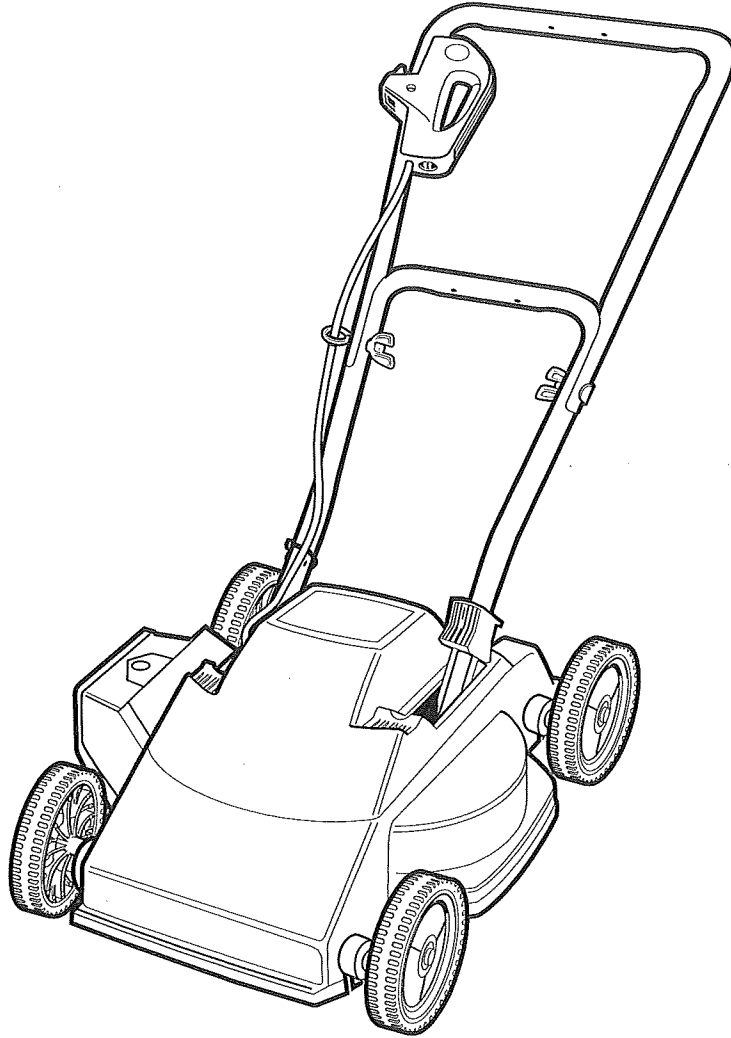
électrique de 18 po (457.2 mm)

Podadora Convertible

Eléctrica 18" (457.2 mm)



Instruction Manual
Guide d'utilisation
Manual de instrucciones



Welcome to Black & Decker's World of Outdoor Products

Your new MM525 lawnmower has been built to those same tough standards that have made Black & Decker the world's most trusted name in power tools for over seventy-five years.

Extremely lightweight to reduce fatigue and one of the quietest lawnmowers you can buy anywhere, your new mower has a list of features,

and extra large wheels for easy going over rough ground.

Please take the time to read this informative instruction manual. Only with a thorough understanding of your mower and its features will you get the most from it.

Thanks for buying Black & Decker.

Important Safety Instructions

READ ALL INSTRUCTIONS

WARNING: WHEN USING ELECTRIC LAWNMOWERS, BASIC SAFETY PRECAUTIONS SHOULD ALWAYS BE FOLLOWED TO REDUCE THE RISK OF FIRE, ELECTRIC SHOCK AND PERSONAL INJURY, INCLUDING THE FOLLOWING.

1. **KNOW YOUR MOWER** - Read the Manual carefully. Be thoroughly familiar with the controls and the proper use of your mower.
2. **AVOID DANGEROUS ENVIRONMENT** - Don't use your mower in the rain or in damp or wet locations. Don't operate it in gaseous or explosive atmospheres. Motors normally spark and the sparks might ignite fumes.
3. **USE PROTECTIVE EQUIPMENT** - Wear safety spectacles or goggles while mowing (regular eyeglasses are not safety glasses). Use face or dust mask, if operation is dusty. Safety spectacles are available at your Black & Decker dealer.
4. **KEEP GUARDS AND SHIELDS IN PLACE** - and keep in working order.
5. **GUARD AGAINST ELECTRIC SHOCK** - Repair or replace damaged mower cord or extension cords immediately. To prevent disconnection of mower cord from the extension cord during use, knot the cords exactly as shown in Figure 9.
6. **DANGER: KEEP AWAY FROM BLADE AREA** - Risk of cut - Keep hands and feet away from blade. Don't attempt to remove cut material or unclog chute when blade is moving.
7. **DISCONNECT LAWNMOWER** - Release switch lever to turn off mower and after blade has stopped, unplug cord from receptacle or extension cord when tool is not in use, before making adjustments, before servicing, cleaning and when changing accessories such as blades, and the likes.
8. **KEEP CHILDREN AWAY** - All visitors should be kept a safe distance from work area.
9. **STORE IDLE LAWNMOWER INDOORS** - When not in use, lawnmower should be stored indoors in a dry place, locked up-out of reach of children.
10. **DON'T FORCE THE MOWER** - It will do the job better and safer at the rate for which it was designed.
11. **USE RIGHT TOOL** - Do not use tool for any job except that for which it is intended.
12. **DRESS PROPERLY** - Do not wear loose clothing or jewelry. They can be caught in moving parts. Use of rubber gloves and footwear is recommended when working outdoors.
13. **DON'T ABUSE CORD** - Never pull lawnmower by cord or yank it to disconnect from receptacle. Keep cord from heat, oil and sharp edges.
14. **WARNING** - To reduce the risk of electric shock hazard use only with an extension cord suitable for outdoor use. Always connect extension cords to a fused line or one protected by a circuit breaker.
15. **DON'T OVERREACH** - Keep proper footing and balance at all times.
16. **MAINTAIN LAWNMOWER WITH CARE** - Keep blade sharp and clean for best and safest performance. Follow instructions for lubricating and changing accessories. Inspect lawnmower cord periodically and if damaged, have it repaired by an authorized service facility. Inspect extension cords periodically and replace if damaged. Keep handles dry, clean, and free from oil and grease.
17. **AVOID ACCIDENTAL STARTING** - Be sure switch is off when plugging in.
18. **OBJECTS STRUCK BY THE LAWNMOWER BLADE** can cause severe injuries to persons. The lawn should always be carefully examined and cleared of all objects prior to each mowing.
19. **IF MOWER STRIKES A FOREIGN OBJECT** follow these steps: (a) Release switch lever to turn off mower and wait for blade to stop, (b) Unplug power cord, (c) Inspect for damage, (d) Repair any damage before restarting and operating the mower.
20. **USE IDENTICAL REPLACEMENT BLADES ONLY.**
21. **WHEN SERVICING** - Use only identical replacement parts.
22. Ground Fault Circuit Interrupter (GFCI) protection should be provided on the circuits(s) or outlet(s) to be used for the lawnmower. Receptacles are available having built-in GFCI protection and may be used for this measure of safety.

Additional Safety Instructions

1. Read this instruction manual carefully. Be thoroughly familiar with the controls and the proper use of the equipment.
2. Never allow children to operate a power mower.
3. Keep the area of operation clear of all persons, particularly small children, and pets.
4. Thoroughly inspect the area where the equipment is to be used and remove all stones, sticks, wires, bones, and other foreign objects that could be thrown by the blade.
5. Do not operate the equipment when barefoot or wearing open sandals. Always wear substantial footwear.
6. Never attempt to make a wheel height adjustment while the motor is running or while the mower is plugged in.
7. Mow only in daylight or in good artificial light.
8. Never operate the equipment in wet grass. Always be sure of your footing; keep a firm hold on the handle and walk; never run. When backing up use extreme caution. Look where you are walking.
9. Do not put hands or feet near or under rotating parts. Keep clear of the discharge opening at all times.
10. Release switch lever to turn mower off when crossing gravel drives, walks, or roads.
11. If the mower stalls, be sure to release switch lever to turn mower off, wait for the blade to stop and unplug the cord before attempting to unclog the chute or remove anything from under the deck.
12. After striking a foreign object, release switch lever to turn mower off, wait for the blade to stop and unplug the mower, thoroughly inspect the mower for any damage, and repair the damage before restarting and operating the mower.
13. If the equipment should start to vibrate abnormally release switch lever and unplug the mower and check immediately for the cause. Vibration is generally a warning of trouble.
14. Release switch lever to turn mower off, wait for the blade to stop and unplug the mower whenever you leave the equipment, before unclogging the deck or chute, or cleaning the mower housing, and when making any repairs or inspections.
15. When cleaning, repairing, or inspecting, make certain the blade and all moving parts have stopped.
16. Shut the motor off and wait until the blade comes to a complete stop, then disconnect the power cord before removing the grass catcher

or unclogging the chute.

17. Mow across the face of slopes; never up and down. Exercise extreme caution when changing direction on slopes. Do not mow excessively steep slopes.
18. Never operate the mower without proper guards, plates, or other safety protective devices in place.

Maintenance

1. Be sure the switch lever is released and the blade has stopped and the cord unplugged before doing any maintenance.
2. Check the blade at frequent intervals for proper tightness.
3. Keep all nuts, bolts, and screws tight to be sure the equipment is in safe working condition.
4. If you are using a Grass Catcher, check it frequently for wear or deterioration. If excessively worn, replace with new bag for safety protection.

Double Insulation

Your Mower is DOUBLE INSULATED to give you added safety. This means that it is constructed throughout with TWO separate "layers" of electrical insulation or one DOUBLE thickness of insulation between you and the tool's electrical system.

Tools built with this insulation system are not intended to be grounded. As a result, your mower is equipped with a two-prong plug which permits you to use extension cords without concern for maintaining a ground connection.

NOTE: DOUBLE INSULATION does not take the place of normal safety precautions when operating this mower. The insulation system is for added protection against injury resulting from a possible electrical insulation failure within the tool.

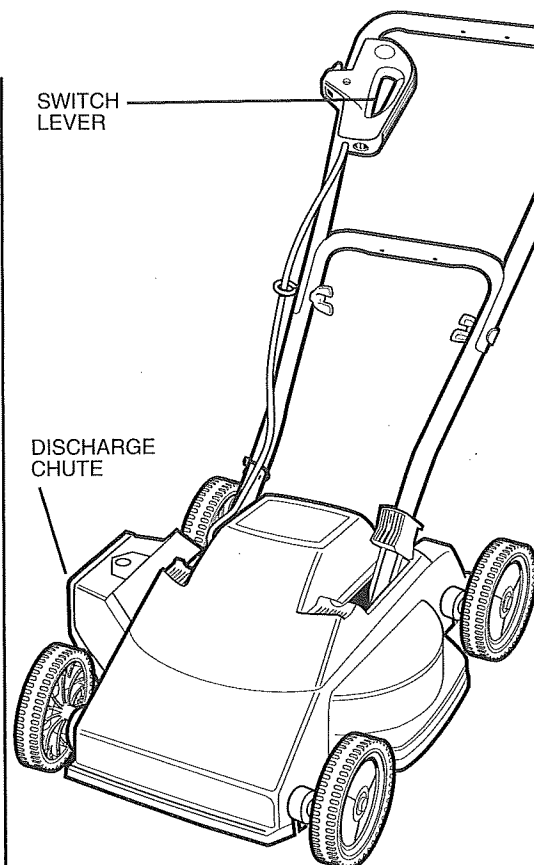
CAUTION: When servicing all tools, USE ONLY IDENTICAL REPLACEMENT PARTS. Repair or replace damaged cords.

Polarized Plug

To reduce the risk of electric shock, this equipment has a polarized plug (one blade is wider than the other). This equipment must be used with a suitable polarized 2 wire or 3 wire extension cord. Polarized connections will fit together only one way. Make sure that the receptacle end of the extension cord has large and small blade slot widths. If the plug does not fit fully into the extension cord, reverse the plug. If it still does not fit, obtain a suitable extension cord. If the extension cord does not fit fully into the outlet, contact a qualified electrician to install the proper outlet. Do not change the tool plug or extension cord in any way.

Extension Cords

Double insulated tools have 2 wire



cords, and can be used with 2 wire or 3 wire extension cords. Only round jacketed extension cords should be used, and we recommend that they be listed by Underwriters Laboratories (U.L.) or Canadian Standards Association (CSA)

WARNING – TO PREVENT ELECTRIC SHOCK USE ONLY WITH AN EXTENSION CORD SUITABLE FOR OUTDOOR USE, SUCH AS SW-A, SJOW-A, SOW-A, STW-A, STOW-A, SJW-A, SJTW-A OR SJTOW-A

An extension cord must have adequate wire size (AWG or American Wire Gauge) for safety, and to prevent loss of power and overheating. The smaller the gauge number of the wire, the greater the capacity of the cable, that is 16 gauge has more capacity than 18 gauge. When using more than one extension to make up the total length, be sure each individual extension contains at least the minimum wire size. To determine the minimum wire size required, refer to the chart below: (Refer to your mower's nameplate to find the Ampere Rating)

MINIMUM GAUGE FOR CORD SETS

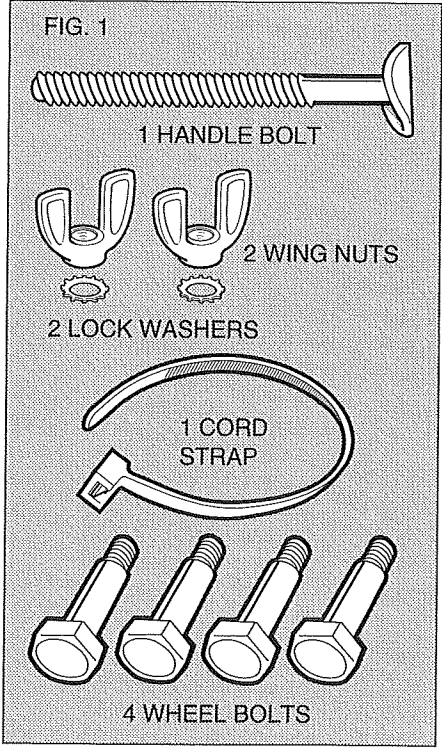
120 Volts	Total Length of Cord in Feet			
	25 ft.	50 ft.	100 ft.	150 ft.
Ampere Rating	A.W.G.			
More Than				
0 - 6	18	16	16	14
6 - 10	18	16	14	12
10 - 12	16	16	14	12
12 - 16	14	12	NOT RECOMMENDED	

NOTE:
Pictures in this manual may not resemble your mower exactly.

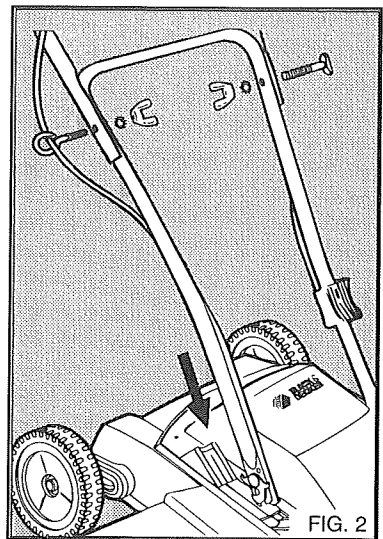
Before using an extension cord, inspect it for loose or exposed wires, damaged insulation, and defective fittings. Make any needed repairs or replace the cord if necessary. Black & Decker has extension cords available that are U.L. or CSA listed for outdoor use.

Unpacking and Assembly

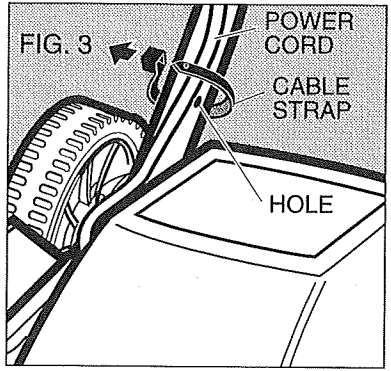
Your mower carton contains the mower, four wheels and 1 plastic bag. The bag contains 2 wing nuts, 2 lock washers, 1 handle bolt, 1 cord strap and 4 wheel bolts. These parts are shown below.



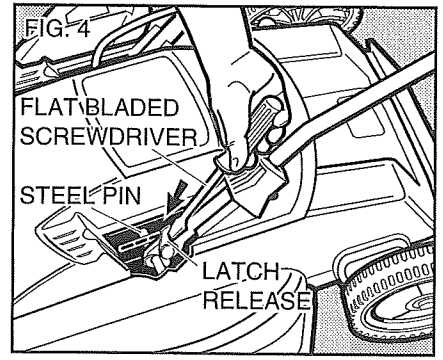
- Carefully slide the mower out of the carton and place it on the floor or ground. Fasten the upper and lower handle halves together using the eye bolt (already installed on the power cord) and curved hd. screw, the lock washers and the wing nuts from the plastic bag. Make sure the power cord and switch are on the same side of the mower as the discharge chute. Tighten the wing nuts securely.
- Push the handle against the pins firmly until you feel it snap into place. Figure 2



- Wrap the cable strap around the lower handle and the power cord, as shown in Figure 3. Locate one end of the cord strap into the slot on the other end of the cord strap and feed through forming a loop. Before tightening the loop, align the cord strap with the hole in the lower handle, shown in Figure 3. Now you can pull the cord strap tightly around the power cord and lower handle. NOTE: To remove the handle for



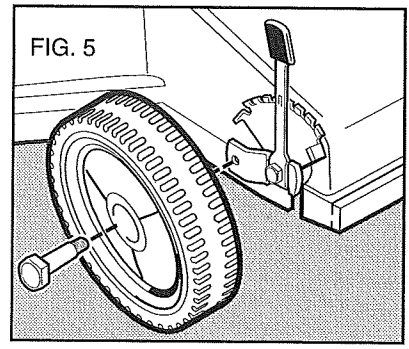
storage, transportation or other reasons, position the mower so that it's in the normal operating position with the discharge chute to your RIGHT. TURN OFF AND UNPLUG THE MOWER. Insert a flat bladed screwdriver against the latch release, as shown in Figure 4.



Press the latch release forward until it stops. Pull the handle up and off of the steel pins (both sides). The handle can be folded in half by loosening the two wing nuts you installed in step 2. Fold handle down backwards to avoid stretching the cables.

Wheel Assembly Fingertip Height Adjusting

Some models are equipped with factory-installed 5 position wheel height adjustment.



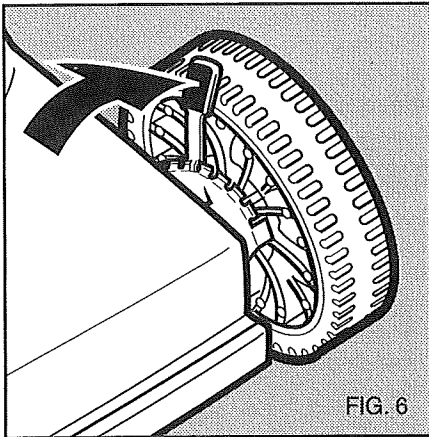
- In order to attach the wheels:
- Insert axle bolt through hole in wheel – Fig. 5.
 - Thread axle bolt into support arm and tighten with 3/4" wrench.
 - Repeat for other 3 wheels.

Fingertip Cutting Height Adjustment

Due to the varying grass condition you will experience over a typical cutting season, you may find it advantageous to adjust the cutting height of your Mower. When the lawn is growing quickly, Spring and Fall, you may wish to cut it lower than in the hot summer period when you may leave it longer to help avoid burning of the grass. In order to make the cutting height adjustments, the following procedures should be followed.

- Before changing Mower cutting height – Release the switch lever, disconnect the cord at the Mower, and allow the blade to come to a complete stop.
- Facing the Mower, place the palm of your hand over the wheel; with your fingers pulling the locking lever towards the wheel and by moving it to the right or left adjust the cutting

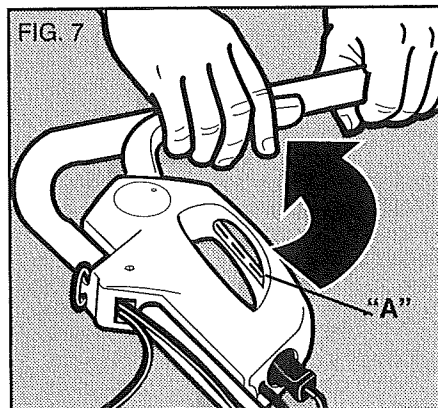
height. See Fig. 6 – Repeat for the other three wheels. When adjustments are complete, make sure each wheel is adjusted to the same height position.



Switch

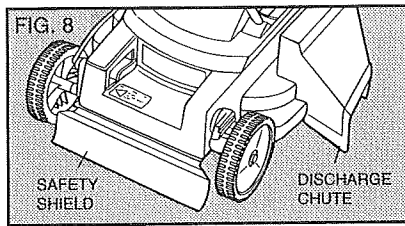
Your mower is equipped with a special switch. To operate the switch, insert your finger into the opening (A) in figure 7 and push the lever out so that you can grab it with your other hand. Pull the lever back to turn the unit on and hold it against the mower handle to keep it running. To turn the mower off, just release the lever. The spring loaded "SNAP ACTION" lever will quickly turn the mower off.

CAUTION: NEVER ATTEMPT TO OVERRIDE THE OPERATION OF THIS SWITCH.



Safety Shield & Discharge Chute

This safety shield (Figure 8) is designed to minimize the throwing of stones or other objects by the mower blade backward from under the mower deck. The shield, along with the discharge chute minimize the possibility of accidental foot contact with the blade. **DO NOT** operate mower without the safety shield and discharge chute in place.

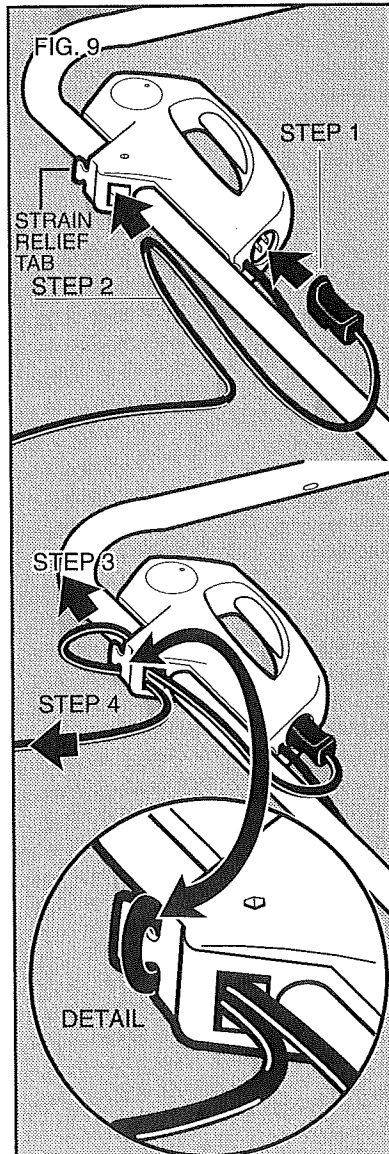


Attaching Extension Cord to Mower

CAUTION: DO NOT connect the extension cord to power source until you have finished reading this manual and are ready to start mowing.

STEP 1-Read the Polarized plug section on page 4 before plugging the extension cord into the switch housing as shown in figure 9. The extension cord must be polarized and will only plug in one way, orient the wide slot with the wide blade in the switch housing.

STEP 2-Loop the extension cord and push the loop up through the hole in the



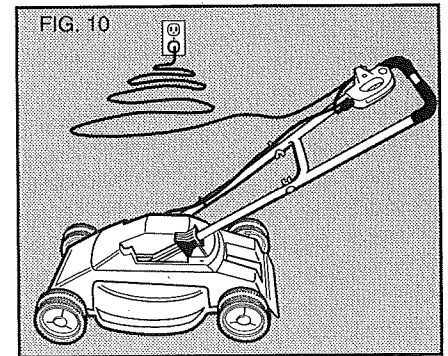
switch housing.

STEP 3-Pull the extension cord on the side to the loop that is plugged into the switch housing and remove all the slack in this section of the extension cord.

STEP 4-Place the loop over the strain relief tab on the switch housing and pull the extension cord so the loop draws down around the strain relief tab as shown in the detail. Double check to see that you did not loosen the extension cord in step 3.

MOWING PROCEDURE

1. Inspect area where mower is to be used and remove all stones, sticks, wire, bones, and other debris which might be thrown by the rotating blades.
2. Place most of the extension cord close to the electrical outlet, out of the path of the mower (Figure 10). **CAUTION: Do not** plug extension cord into receptacle outlet while standing in water or when hands are wet.
3. Begin mowing in the area closest to the outlet and mow in a back and forth manner (Figure 10). Use the cord control hanger to move the cord to the outlet side of the mower as you change directions. Note that cord is kept on cut portion of lawn.



Other Mowing Tips

1. Mow across the face of slopes, never up-and-down. Exercise extreme caution when changing direction on slopes. Do not mow excessively steep slopes. Always maintain good footing.
2. Release switch to turn mower "OFF" when crossing any graveled area (stones can be thrown by the blade).
3. Set mower at highest cutting height when mowing in rough ground or in tall weed.
4. From time to time turn off mower and wait for the blade to come to a complete stop. Then unplug the power cord and turn mower on its

side. Using an object such as a stick, wipe out any accumulation of grass in the blade area. Be careful of the sharp edges of the blade. If a grass catcher is used during the fast growing season, the grass may tend to clog up at the discharge opening. Turn the switch "OFF" and disconnect the power cord plug. Remove the catcher and shake the grass down to the back end of the bag. Also clean out any grass or debris which may be packed around the discharge opening. Replace the grass catcher. Clean often in wet, spring grass.

5. If mower should start to vibrate abnormally, turn mower "OFF" and unplug power cord. Check immediately for cause. Vibration is a warning of trouble. Do not operate mower until a service check has been made.
6. **ALWAYS TURN THE SWITCH OFF AND UNPLUG THE MOWER WHEN LEAVING IT UNATTENDED EVEN FOR A SHORT PERIOD OF TIME.**

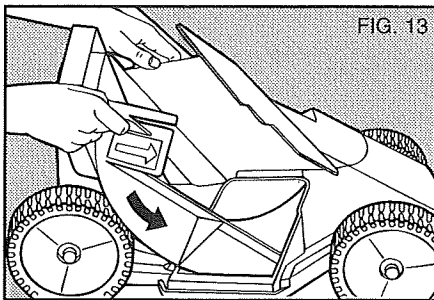
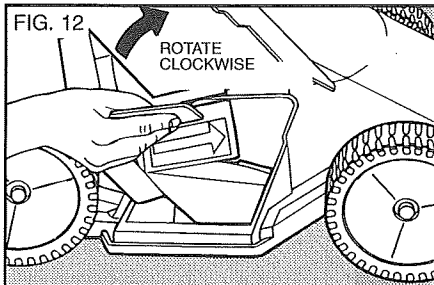
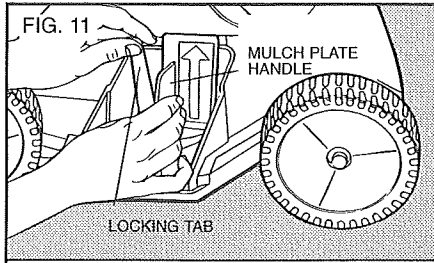
Mulching

Your new mower is designed to re-cut the grass clippings many times and reduce them in size so that, as they fall into the lawn, they will disperse into the grass and not be noticed. Also, the mulched grass will biodegrade quickly to provide nutrients to the lawn. Your mower was shipped with the Mulch Plate installed. To remove the plate for side bagging or discharging as you mow, follow the steps listed below.

1. Shut the mower off, wait until the blade stops and unplug the mower.
2. Raise the discharge chute cover and hold it up.
3. Grasp the Mulch Plate handle, as shown in Figure 11 and pull the locking tab out just enough to clear the lip on the mower deck (about 1/2").
4. Pull the mulch plate out rotating it clockwise as it is removed, as shown in Figure 12.
5. Pull the mulch plate out completely until the discharge chute snaps back in place.

You are now ready to cut without mulching. The special mower blade is designed to operate while discharging, bagging, or mulching.

In order to install the Mulch Plate simply reverse the steps listed above, rotating the plate counterclockwise as you insert it into the mower deck, as shown in Figure 13. When it is in as far as it will go, turn the handle counterclockwise until the locking tab snaps into place. Release the discharge chute making sure the chute snaps into the full down position.



Mulching Mowing Tips

For best performance, keep the mower housing free of built-up grass and trash. Clean after each use. See CLEANING in the maintenance section of this manual.

Avoid cutting the lawn when it is wet. Wet grass tends to form clumps and they interfere with the mulching action. The best time to mow your lawn is in the early afternoon. At this time the grass is dried and the newly cut area will not be exposed to the direct sun. For best results, adjust the lawnmower cutting height so that the lawnmower cuts off only the top one third of the grass blades. If the lawn is overgrown it will be necessary to increase the cutting height to reduce the pushing effect and reduce overloading the motor. For extremely heavy mulching make narrower cuts and mow slowly. Certain types of grass and grass conditions may require that an area be mulched a second time to completely hide the clippings. When doing a second cut, mow across or perpendicular to the first cut path. **DO NOT MOW PERPENDICULAR TO THE FIRST PATH IF IT WOULD CAUSE MOWING ACROSS A HILL.**

Change your cutting pattern from week to week. Mow north to south one week and east to west the next week. This

will help prevent matting and graining of the lawn.

Blade Sharpening

KEEP BLADE SHARP FOR BEST MOWER PERFORMANCE. A DULL BLADE DOES NOT CUT GRASS EVENLY

WEAR PROPER EYE PROTECTION BLADE SHARPENING

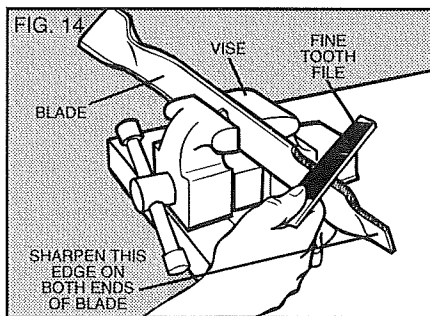
Sharpening the blade twice during a mowing season is usually sufficient under normal circumstances. Sand causes the blade to dull fast. If your lawn has sandy soil, more frequent sharpenings are required.

REPLACE BENT OR DAMAGED BLADE IMMEDIATELY. WHEN SHARPENING THE BLADE:

1. Make sure blade remains balanced.
2. Sharpen blade at the original cutting angle.
3. Sharpen cutting edges on both ends of blade, removing equal amounts of material from both ends.

TO SHARPEN BLADE IN A VISE:
See Figure 14

1. Be sure the switch lever is released and the blade has stopped and the cord unplugged before removing the blade
2. Remove blade from mower. See instructions for removing and attaching blade.
3. Secure blade in a vise as shown in figure 14.
4. Wear safety glasses and be careful not to cut yourself.
5. Carefully file the cutting edges of the blade with a fine tooth file or sharpening stone.



6. Check balance of blade. See instructions for blade balancing.
7. Replace blade on mower and tighten securely.

BLADE BALANCING

Check balance of blade by placing centre hole in blade over a nail or screwdriver shank, clamped horizontally in a vise. If either end of the blade rotates downward, file that end. Blade is properly balanced when neither end drops. See (Fig. 15)

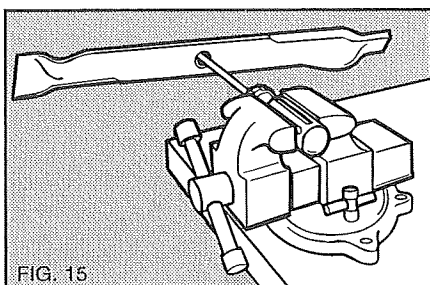


FIG. 15

Removing and Attaching Blades

1. RELEASE SWITCH LEVER TO TURN MOWER OFF, WAIT FOR THE BLADE TO STOP, AND UNPLUG MOWER!
2. Cut a piece of 2x4 wood (about 2 feet long) to keep blade from turning while removing blade nut.

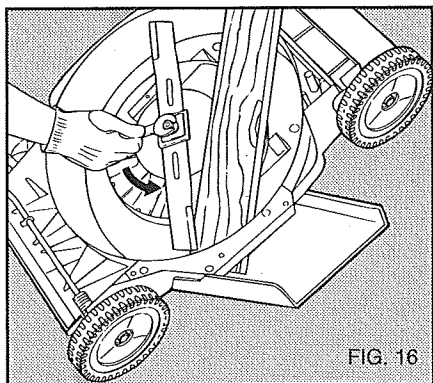


FIG. 16

3. Wear gloves. Position wood and remove nut as shown in Figure 16.
4. Remove lower blade spacer, lower insulator washer and blade (Figure 17)
5. When replacing sharpened or new blade on shoulder of fan, make sure cutting edges of the blade are closest to the ground. Place lower insulator washer over shoulder of the fan. Now place lower blade spacer and the blade nut on the shaft.

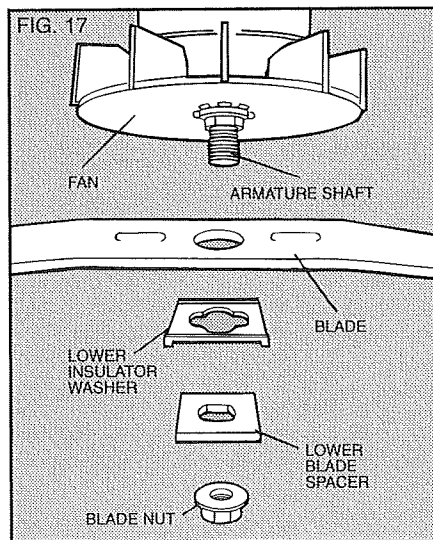


FIG. 17

NOTE: Align flats of shaft with flats in lower insulator washer and lower the blade spacer.

Position wood to keep shaft from turning (Figure 18) and then securely tighten blade nut.

Lubrication

No lubrication is necessary. Do not oil the wheels. They have plastic bearing surfaces which require no lubrication.

Cleaning and Storage

TURN OFF, LET THE BLADE COME TO A STOP AND THEN UNPLUG MOWER! Use only mild soap and a damp cloth to clean the mower. Clean out any clippings which may have accumulated on the underside of the deck. After several uses, check all exposed fasteners for tightness.

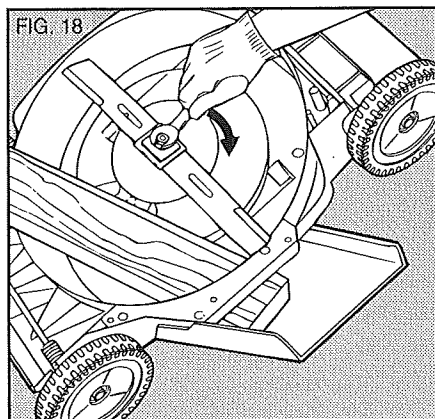


FIG. 18

Your mower should be stored in a dry place.

PREVENTING CORROSION

Fertilizers and other garden chemicals contain agents which greatly accelerate

the corrosion of metals. If you mow in areas where fertilizers or chemicals have been used, the mower should be cleaned immediately afterward as follows: (1) Be sure the tool is turned off and unplugged. (2) Wipe all exposed parts with a damp cloth.

CAUTION: DO NOT POUR OR SPRAY WATER ON THE MOWER IN AN ATTEMPT TO CLEAN IT.

Do not store the tool on or adjacent to fertilizers or chemicals. Such storage can cause rapid corrosion.

GRASS CATCHER ASSEMBLY (OPTIONAL)

For a really professional look to your lawn, Black & Decker offers the Grass Catcher Assembly at extra cost. (See Fig. 19). The bag captures grass clippings and other light debris for a great looking lawn.

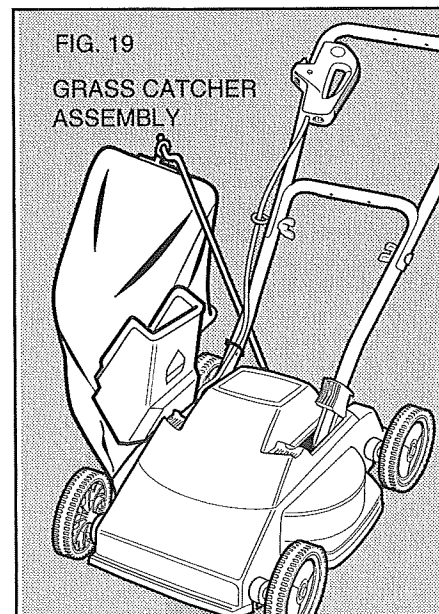


FIG. 19

GRASS CATCHER ASSEMBLY

Important

To assure product SAFETY and RELIABILITY, repairs, maintenance and adjustment (including brush inspection and replacement) should be performed by BLACK & DECKER Service Centers or other qualified service organizations, always using Black & Decker replacement parts. When servicing use ONLY IDENTICAL REPLACEMENT PARTS.

HOME USE WARRANTY FULL TWO-YEAR WARRANTY ON MOWER AND FULL FIVE-YEAR WARRANTY ON PLASTIC DECK

Black & Decker warrants (in non-commercial use) this entire mower for two years and the plastic deck (only) of the mower for five years against defects that are due to faulty materials or workmanship. Please return the mower to Black & Decker Service Center or Authorized Service Depot for free replacement or repair at our option (proof of purchase may be required). This warranty gives you specific legal rights and you may have other rights which vary from state to state or province to province. Should you have any questions, contact your nearest Black & Decker Service Center.

30-Day No-Risk Try Out

If you are not completely satisfied with this product's performance, simply return to your place of purchase within 30 days for a full refund.

THE CONSUMER 1-800 HELP LINE

For your assistance, Black & Decker has installed a toll-free number. Should you have any questions that are not explained in the Instruction Manual or experience any difficulties with your Black & Decker Lawnmower, please phone

1-800-762-6672 U.S. AND CANADA

An operator is available to answer your call between 8:00 and 5:00 p.m. (EST) Monday through Friday (excluding holidays)

Accessories

CAUTION: Accessories are recommended for use with your mower. The use of any other accessory or attachment might be hazardous.

The accessories listed in this manual are available at extra cost from your local dealer or Black & Decker Service Center.

1. UNITED STATES CONSUMERS - The following pertains to U.S. residents:

88-050	50 ft., 16 ga., 3 wire	OUTDOOR EXTENSION CORD
88-100	100 ft., 16 ga., 3 wire	OUTDOOR EXTENSION CORD
MC-001, LM-001	GRASS CATCHER ASSEMBLY
MB-450	REPLACEMENT BLADE
72-000	PROTECTIVE SPECTACLES

A complete listing of service centers is included in the Instruction Manual packed with your Lawnmower. If you need assistance in locating any accessory please contact:

Black & Decker (U.S.) Inc.
Consumer Service Department
626 Hanover Pike
P.O. Box 618
Hampstead, MD 21074-0618

1. CANADIAN CONSUMERS - The following pertains to Canadian residents:

57-120-04	GRASS CATCHER ASSEMBLY
MB-450-04	REPLACEMENT BLADE

SAVE THESE INSTRUCTIONS FOR FUTURE USE



BLACK&DECKER®

BLACK & DECKER CANADA INC., 100 CENTRAL AVE., BROCKVILLE (ONTARIO), K6V 5W6
BLACK & DECKER (U.S.) INC., U.S. Power Tools Group, 701 East Joppa Road, Towson, MD 21286
BLACK & DECKER S.A. DE C.V. Ave Central 186 col. NVA. IND. Vallejo C.p 07700 Mexico, D.F.