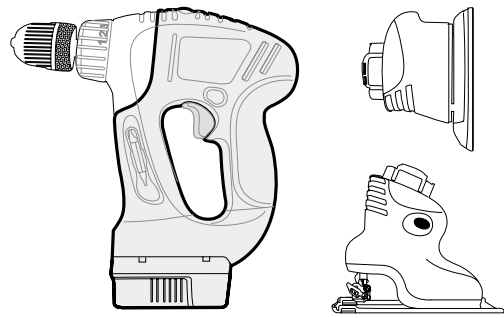


INSTRUCTION MANUAL

CATALOG NUMBER
MT1203B



BEFORE RETURNING THIS PRODUCT
FOR ANY REASON PLEASE CALL

1-800-54-HOW-TO (544-6986)

IF YOU SHOULD EXPERIENCE A PROBLEM WITH YOUR BLACK & DECKER PURCHASE, CALL 1-800-54-HOW-TO (1-800-544-6986). IN MOST CASES, A BLACK & DECKER REPRESENTATIVE CAN RESOLVE YOUR PROBLEM OVER THE PHONE. IF YOU HAVE A SUGGESTION OR COMMENT, GIVE US A CALL. YOUR FEEDBACK IS VITAL TO THE SUCCESS OF BLACK & DECKER'S QUALITY IMPROVEMENT PROGRAM.

KEY INFORMATION YOU SHOULD KNOW:

- Charge battery for 9 hours before first use. For more information see "CHARGING THE POWER PACK".

SAVE THIS MANUAL FOR FUTURE REFERENCE.

VEA EL ESPAÑOL EN LA CONTRAPORTADA.

INSTRUCTIVO DE OPERACIÓN, CENTROS DE SERVICIO Y PÓLIZA DE GARANTÍA. **ADVERTENCIA:** LEASE ESTE INSTRUCTIVO ANTES DE USAR EL PRODUCTO.

CAT. NO. MT1203B FORM NO. 610682-00 PRINTED IN CHINA (MAR - 02)

⚠️ GENERAL SAFETY RULES - FOR ALL BATTERY OPERATED TOOLS

⚠️ WARNING! READ AND UNDERSTAND ALL INSTRUCTIONS.

Failure to follow all instructions listed below, may result in electric shock, fire and/or serious personal injury.

SAVE THESE INSTRUCTIONS

Work Area

- Keep your work area clean and well lit. Cluttered benches and dark areas invite accidents.
- Do not operate power tools in explosive atmospheres, such as in the presence of flammable liquids, gases, or dust. Power tools create sparks which may ignite the dust or fumes.
- Keep bystanders, children, and visitors away while operating a power tool. Distractions can cause you to lose control.

Electrical Safety

- Do not abuse the cord. Never use the cord to carry the tool. Keep cord away from heat, oil, sharp edges or moving parts. Replace damaged cords immediately. Damaged cords may create a fire.
- A battery operated tool with integral batteries or a separate battery pack must be recharged only with the specified charger for the battery. A charger that may be suitable for one type of battery may create a risk of fire when used with another battery.
- Use battery operated tool only with specifically designated battery pack. Use of any other batteries may create a risk of fire.

Personal Safety

- Stay alert, watch what you are doing and use common sense when operating a power tool. Do not use tool while tired or under the influence of drugs, alcohol, or medication. A moment of inattention while operating power tools may result in serious personal injury.
- Dress properly. Do not wear loose clothing or jewelry. Contain long hair. Keep your hair, clothing, and gloves away from moving parts. Loose clothes, jewelry, or long hair can be caught in moving parts. Air vents cover moving parts and should be avoided.
- Avoid accidental starting. Be sure switch is in the locked or off position before inserting battery pack. Carrying tools with your finger on the switch or inserting the battery pack into a tool with the switch on invites accidents.
- Remove adjusting keys or wrenches before turning the tool on. A wrench or a key that is left attached to a rotating part of the tool may result in personal injury.
- Do not overreach. Keep proper footing and balance at all times. Proper footing and balance enable better control of the tool in unexpected situations.
- Use safety equipment. Always wear eye protection. Dust mask, non-skid safety shoes, hard hat, or hearing protection must be used for appropriate conditions.

Tool Use and Care

- Use clamps or other practical way to secure and support the workpiece to a stable platform. Holding the work by hand or against your body is unstable and may lead to loss of control.
- Do not force tool. Use the correct tool for your application. The correct tool will do the job better and safer at the rate for which it is designed.
- Do not use tool if switch does not turn it on or off. A tool that cannot be controlled with the switch is dangerous and must be repaired.
- Disconnect battery pack from tool or place the switch in the locked or off position before making any adjustments, changing accessories, or storing the tool. Such preventive safety measures reduce the risk of starting the tool accidentally.
- Store idle tools out of reach of children and other untrained persons. Tools are dangerous in the hands of untrained users.
- When battery pack is not in use, keep it away from other metal objects like: paper

clips, coins, keys, nails, screws or other small metal objects that can make a connection from one terminal to another. Shorting the battery terminals together may cause sparks, burns, or a fire.

- Maintain tools with care. Keep cutting tools sharp and clean. Properly maintained tools, with sharp cutting edge are less likely to bind and are easier to control.
- Check for misalignment or binding of moving parts, breakage of parts, and any other condition that may affect the tool's operation. If damaged, have the tool serviced before using. Many accidents are caused by poorly maintained tools.
- Use only accessories that are recommended by the manufacturer for your model. Accessories that may be suitable for one tool may create a risk of injury when used on another tool.

Service

- Tool service must be performed only by qualified repair personnel. Service or maintenance performed by unqualified personnel may result in a risk of injury.
- When servicing a tool, use only identical replacement parts. Follow instructions in the Maintenance section of this manual. Use of unauthorized parts or failure to follow Maintenance Instructions may create a risk of shock or injury.

SPECIFIC SAFETY RULES

- Hold tool by insulated gripping surfaces when performing an operation where the cutting tool may contact hidden wiring or its own cord. Contact with a "live" wire will make exposed metal parts of the tool "live" and shock the operator.
- KEEP HANDS AWAY from cutting area. Never reach underneath the material for any reason. Hold front of saw by grasping the contoured gripping area. Do not insert fingers or thumb into the vicinity of the reciprocating blade and blade clamp. Do not stabilize the saw by gripping the shoe.
- When working on a ladder or on scaffolding be sure to lay the tool down on its side when not in use. Some tools with large battery packs will stand upright but may be easily knocked over.
- KEEP BLADES SHARP. Dull blades may cause the saw to swerve or stall under pressure.
 - ⚠️ **WARNING:** Some dust created by power sanding, sawing, grinding, drilling, and other construction activities contains chemicals known to cause cancer, birth defects or other reproductive harm. Some examples of these chemicals are:
 - lead from lead-based paints,
 - crystalline silica from bricks and cement and other masonry products, and
 - arsenic and chromium from chemically-treated lumber. (CCA)
 Your risk from these exposures varies, depending on how often you do this type of work. To reduce your exposure to these chemicals: work in a well ventilated area, and work with approved safety equipment, such as those dust masks that are specially designed to filter out microscopic particles.
- Avoid prolonged contact with dust from power sanding, sawing, grinding, drilling, and other construction activities. Wear protective clothing and wash exposed areas with soap and water. Allowing dust to get into your mouth, eyes, or lay on the skin may promote absorption of harmful chemicals.

⚠️ **CAUTION:** Wear appropriate hearing protection during use. Under some conditions and duration of use, noise from this product may contribute to hearing loss.

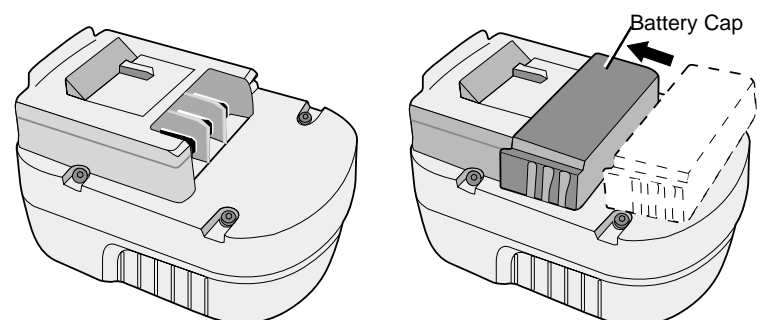
The label on your tool may include the following symbols.

V	volts	A	amperes
Hz	hertz	W	watts
min	minutes	~	alternating current
— — —	direct current	n _o	no load speed
□	Class II Construction	⊕	earthing terminal
⚠️	safety alert symbol	.../min	revolutions or reciprocations per minute



BATTERY CAP INFORMATION

Battery storage and carrying caps are provided for use whenever the battery is out of the tool or charger. Remove cap before placing battery in charger or tool.



⚠ WARNING! Do not store or carry battery so that metal objects can contact exposed battery terminals. For example, do not place battery in aprons, pockets, tool boxes, product kit boxes, drawers, etc. with loose nails, screws, keys, etc. without battery cap. Without cap in place, battery could short circuit causing fire or burns or damage to battery.

⚠ SAFETY WARNINGS AND INSTRUCTIONS: CHARGING THE BATTERY

1. This manual contains important safety and operating instructions.
2. Before using battery charger, read all instructions and cautionary markings on (1) battery charger, (2) battery, and (3) product using battery.
3. **⚠ CAUTION:** To reduce the risk of injury, charge only Black & Decker Power Packs. Other types of batteries may burst causing personal injury and damage.
4. Do not expose charger to rain or snow.
5. Use of an attachment not recommended or sold by Black & Decker may result in a risk of fire, electric shock, or injury to persons.
6. To reduce risk of damage to electric plug and cord, pull by plug rather than cord when disconnecting charger.
7. Make sure cord is located so that it will not be stepped on, tripped over, or otherwise subjected to damage or stress.
8. An extension cord should not be used unless absolutely necessary. Use of improper extension cord could result in a risk of fire, electric shock or electrocution.
 - a. Two-wire cords can be used with 2-wire or 3-wire extension cords. Only round jacketed extension cords should be used, and we recommend that they be listed by Underwriters Laboratories (U.L.). If the extension is to be used outside, the cord must be suitable for outdoor use. Any cord marked for outdoor use can also be used for indoor work. The letters "W" or "WA" on the cord jacket indicate that the cord is suitable for outdoor use.
 - b. An extension cord must have adequate wire size (AWG or American Wire Gauge) for safety, and to prevent loss of power and overheating. The smaller the gauge number of the wire, the greater the capacity of the cable; that is, 16 gauge has more capacity than 18 gauge. When using more than one extension to make up the total length, be sure each extension contains at least the minimum wire size.

CHART FOR MINIMUM WIRE SIZE (AWG) OF EXTENSION CORDS NAMEPLATE RATING AMPS – 0 – 10.0

Total Extension Cord Length (ft)	25	50	75	100	125	150
Wire Gauge	18	18	16	16	14	14

9. Use only the supplied charger when charging your tool. The use of any other charger could damage the battery or create a hazardous condition.
10. Use only one charger when charging.
11. Do not attempt to open the charger. There are no customer serviceable parts inside. Return to any authorized Black & Decker service center.
12. DO NOT incinerate the battery packs even if they are severely damaged or completely worn out. The batteries can explode in a fire.
13. A small leakage of liquid from the battery cells may occur under extreme usage, charging or temperature conditions. This does not indicate a failure. However, if the outer seal is broken and this leakage gets on your skin:
 - a. Wash quickly with soap and water.
 - b. Neutralize with a mild acid such as lemon juice or vinegar.
 - c. If the battery liquid gets in your eyes, flush them with clean water for a minimum of 10 minutes and seek immediate medical attention. MEDICAL NOTE: The liquid is a 25-35% solution of potassium hydroxide.

CHARGING THE POWER PACK

THE BATTERIES IN YOUR POWER PACK ARE NOT FULLY CHARGED AT THE FACTORY. BEFORE ATTEMPTING TO CHARGE THEM, THOROUGHLY READ ALL OF THE SAFETY INSTRUCTIONS.

The charger is designed to use standard household 120 volt 60 Hz power.

1. Plug the charger into any standard 120 Volt 60 Hz electrical outlet.
2. Slide the charger onto the battery pack as shown in Figure 1 and let it charge initially for **9 hours**. After the initial charge, under normal usage, your power pack should be fully charged in **3 to 6 hours**.
3. Remove pack from the charger and place in product (Figure 2). **NOTE:** To remove the battery from the product, press down on the release button on the back of the battery (Figure 3) and pull out.

IMPORTANT CHARGING NOTES

1. After normal usage, your power pack should be fully charged in 3 to 6 hours. If the power pack is run-down completely, it may take up to 6 hours to become fully charged. Your power pack was sent from the factory in an uncharged condition. Before attempting to use it, it must be charged for at least 9 hours.
2. DO NOT charge the power pack in an air temperature below 40°F or above 105°F. This is important and will prevent serious damage to the power pack. Longest life and best performance can be obtained if power pack is charged when air temperature is about 75°F.
3. While charging, the charger may hum and become warm to touch. This is a normal condition and does not indicate a problem.
4. If the power pack does not charge properly—(1) Check current at receptacle by plugging in a lamp or other appliance. (2) Check to see if receptacle is connected to a light switch which turns power off when you turn out the lights. (3) Move charger and power pack to a surrounding air temperature of 40°F to 105°F. (4) If the receptacle and temperature are OK, and you do not get proper charging, take or send the power pack and charger to your local Black & Decker service center. See Tools Electric in yellow pages.
5. The power pack should be recharged when it fails to produce sufficient power on jobs which were easily done previously. DO NOT CONTINUE using product with its power pack in a depleted condition.
6. To prolong power pack life, avoid leaving the power pack on charge for extended periods of time (over 30 days without use). Although overcharging is not a safety concern, it can significantly reduce overall power pack life.
7. When the battery is inserted into the charger, the red "Charging Indicator" light will come on indicating that there is contact between the battery and charger. The light will stay on as long as the battery is in the charger and the charger is plugged into a working outlet. It **WILL NOT** flash, go out or change to a different color when the charging cycle is complete.
8. The power pack will reach optimum performance after being cycled 5 times during normal usage. There is no need to run the batteries down completely before recharging. Normal usage is the best method of discharging and recharging the batteries.

OPERATION

FITTING AND REMOVING INTERCHANGEABLE TOOL HEADS

NOTE: Ensure the forward / reverse switch is in the center (lock off) position.

To install a tool head, align the arrows on both the tool head and the power unit and insert the head until it clicks into place as shown in Fig. 4. To remove, press the release button and pull the tool head off. **Remove battery from power unit and all accessories from tool heads before removing or installing.**

NOTE: The main body unit (type 2) is equipped with a directional mechanism which allows it to fit a circular saw tool head and a router tool head.

VARIABLE SPEED CONTROL

The power unit has a variable speed switch. The more the trigger switch is depressed the higher the speed of the attached head. **Note:** Trigger does not work when there is no head attached.

TRIGGER SWITCH & FORWARD / REVERSE / LOCK BUTTON

A forward / reverse control button determines the direction of the tool and also serves as a lock off button. To select forward rotation, release the trigger switch and depress the forward / reverse control button as shown in Figure 5. To select reverse, depress the forward / reverse control button the opposite direction. The center position of the control button locks the tool in the off position. **Note:** For greatest efficiency, always use sander and saw in forward position.

DRILLING

Note: Ensure the forward / reverse switch is in the center (lock off) position.

KEYLESS CHUCK

To insert a drill bit or other accessory:

1. Grasp the rear half of the chuck with one hand and use your other hand to rotate the front half in the counterclockwise direction, (Fig. 6).
2. Insert the bit or other accessory fully into the chuck, and tighten securely by holding the rear half of the chuck and rotating the front portion in the clockwise direction as viewed from the chuck end.

⚠ WARNING: Do not attempt to tighten drill bits (or any other accessory) by gripping the front part of the chuck and turning the tool on. Damage to the chuck and personal injury may occur when changing accessories.

TORQUE CONTROL

The torque adjustment collar shown in Fig. 5 has 24 settings. There are 23 screwdriving settings and a drilling setting which is represented by the drill bit symbol. For screwdriving proceed as follows:

Set the torque adjustment to position "1". Fit and tighten the first screw. If the clutch of your drill starts to ratchet before the screw is correctly seated, rotate the adjustment collar as necessary, until the clutch slips when the head of the screw is flush with the surface of the material. Use this torque setting for the rest of the screws.

DRILLING TIPS

Always remove batteries from drill when attaching or removing accessories. When using a keyless chuck, hand tighten firmly.

- Use sharp drill bits only.
- Support and secure work properly, as instructed in the Safety Instructions.
- Use appropriate and required safety equipment, as instructed in the Safety Instructions.
- Secure and maintain work area, as instructed in Safety Instructions.
- Run the drill very slowly, using light pressure, until the hole is started enough to keep the drill bit from slipping out of it.
- Apply pressure in a straight line with the bit. Use enough pressure to keep the bit biting but not so much as to stall the motor or deflect the bit.
- **Hold the drill firmly to control its twisting action..**
- **DO NOT CLICK THE TRIGGER OF A STALLED DRILL OFF AND ON IN AN ATTEMPT TO START IT. DAMAGE TO THE DRILL CAN RESULT.**
- Minimize stalling on breakthrough by reducing pressure and slowly drilling through the last part of the hole.
- Keep the motor running while pulling the bit out of a drilled hole. This will help reduce jamming.
- Use a cutting lubricant when drilling metals. The exceptions are cast iron and brass which should be drilled dry. The lubricants that work best are sulphurized cutting oil or lard oil. Bacon grease will also serve.
- When using twist drill bits to drill holes in wood, it will be necessary to pull the bits out frequently to clear chips from the flutes.
- Make sure switch turns drill on and off.

⚠ WARNING: It is important to support the work properly and to hold the drill firmly to prevent loss of control which could cause personal injury.

SAWING

Note: Ensure the forward / reverse switch is in the center (lock off) position.

INSTALLING BLADES

Your jig saw uses the Quick Clamp™ blade changing system. To install a blade, lift the Quick Clamp™ lever (Figure 7). Insert the saw blade shank fully into the blade clamp. Release the lever and the blade will be clamped securely in place. The back of the blade should be just touching the roller support guide. Ensure the blade teeth are facing forward.

ROLLER SUPPORT GUIDE

The roller support guide on your jig saw improves its performance when cutting tough materials by adding support to the blade. Lubricating the guide roller with a drop of oil from time to time will extend the roller life.

USING THE JIG SAW

The jig saw is equipped with a lock off switch. To start the saw, first depress the lock off button shown in Fig. 8 followed by the trigger switch (Fig. 4) You can then release the lock off button.

SHOE ADJUSTMENT FOR ANGLE CUTTING

The shoe plate can be angled to 45° on one side. To do this, first loosen the screw at the base of the saw head until the shoe can freely move. The shoe should then be repositioned in the forward slot and the screw retightened. To reset the shoe to a square cut, loosen the clamp screw and move the shoe so that the clamp screw is against the rear of the slot. Retighten clamp screw.

GENERAL CUTTING

Be sure material is firmly secured. Don't attempt to turn on the unit when blade is against material to be cut. This could stall the motor. Place front of shoe on material to be cut and hold jig saw shoe down firmly against the work surface while cutting. Don't force the tool; let the blade cut at its own speed. Whenever possible, clamp or support work close to the line of cut; when the cut is completed, shut off power and lay the tool aside before loosening the work.

METAL & PLASTIC CUTTING

In cutting thin gauge sheet metals, it is best to clamp wood or plywood to the bottom of the metal sheet; this will insure a clean cut without the danger of vibration or tearing of metal. Use a fine-tooth blade for ferrous metals (for those that have an iron content); and use a coarser blade for nonferrous metals (those that do not have an iron content).

Cutting thin metal will take longer than cutting relatively thick wood so do not be tempted to speed up the process by forcing the saw. Spread a thin film of cutting lubricant along the cutting line, (any light weight oil). Use low speeds for cutting metals, plastics and composition tile. When cutting laminated plastic, place the finished side down and use a fine tooth hollow ground blade.

POCKET CUTTING

- Measure the surface to be cut and mark clearly with a pencil. Next tip the saw forward until the front edge of the shoe sits firmly on the work surface.
- Switch the tool on and allow it to attain maximum speed.
- Grip the handle firmly and lower the back edge of tool until the blade cuts smoothly into material. Always be sure blade reaches its complete depth before starting to cut.

SANDING

Note: Ensure the forward / reverse switch is in the center (lock off) position.

ATTACHING SANDPAPER

The sander uses pre-cut nylon backed sheets of abrasive of a specific size. To fit the abrasive, align the it with the sanding pad and press it firmly in place.

Ensure the abrasive evenly overlaps the base. Never use your sander without an abrasive or accessory. The abrasive supplied with your tool has two replacement tips. This design allows you to interchange and or rotate the diamond tips. To rotate the tip, remove it from the pad, rotate it 180° and press it back on the hook base. **Note:** Remove the two replacement tips from the abrasive before use, these can be used later when the original diamond tip wears.

SANDING LEAD BASED PAINT

Sanding of lead based paint is NOT RECOMMENDED due to the difficulty of controlling the contaminated dust. The greatest danger of lead poisoning is to children and pregnant women.

Since it is difficult to identify whether or not a paint contains lead without a chemical analysis, we recommend the following precautions when sanding any paint:

PERSONAL SAFETY

- No children or pregnant women should enter the work area where the paint sanding is being done until all cleanup is completed.
- A dust mask or respirator should be worn by all persons entering the work area. The filter should be replaced daily or whenever the wearer has difficulty breathing.
- Note: Only those dust masks suitable for working with lead paint dust and fumes should be used. Ordinary painting masks do not offer this protection. See your local hardware dealer for the proper (NIOSH approved) mask.
- NO EATING, DRINKING or SMOKING should be done in the work area to prevent ingesting contaminated paint particles. Workers should wash and clean up BEFORE eating, drinking or smoking. Articles of food, drink, or smoking should not be left in the work area where dust would settle on them.

ENVIRONMENTAL SAFETY

- Paint should be removed in such a manner as to minimize the amount of dust generated.
- Areas where paint removal is occurring should be sealed with plastic sheeting of 4 mil thickness.
- Sanding should be done in a manner to reduce tracking of paint dust outside the work area.

CLEANING AND DISPOSAL

- All surfaces in the work area should be vacuumed and thoroughly cleaned daily for the duration of the sanding project. Vacuum filter bags should be changed frequently.
- Plastic drop cloths should be gathered up and disposed of along with any dust chips or other removal debris. They should be placed in sealed refuse receptacles and disposed of through regular trash pick-up procedures. During cleanup, children and pregnant women should be kept away from the immediate work area.
- All toys, washable furniture and utensils used by children should be washed thoroughly before being used again.

ACCESSORIES

Recommended accessories for use with your tool are available from your local dealer or authorized service center. If you need assistance regarding accessories, please call:

1-800-54-HOW-TO. (800-544-6986)

⚠ WARNING: The use of any accessory not recommended for use with this tool could be hazardous.

IMPORTANT: To assure product SAFETY and RELIABILITY, repairs, maintenance and organization should be performed by authorized service centers or other qualified service organizations, always using identical replacement parts

THE RBRC™ SEAL

The RBRC™ (Rechargeable Battery Recycling Corporation) Seal on the nickel-cadmium battery (or battery pack) indicates that the costs to recycle the battery (or battery pack) at the end of its useful life have already been paid by Black & Decker. In some areas, it is illegal to place spent nickel-cadmium batteries in the trash or municipal solid waste stream and the RBRC program provides an environmentally conscious alternative.



RBRC in cooperation with Black & Decker and other battery users, has established programs in the United States and Canada to facilitate the collection of spent nickel-cadmium batteries. Help protect our environment and conserve natural resources by returning the spent nickel-cadmium battery to an authorized Black & Decker service center or to your local retailer for recycling. You may also contact your local recycling center for information on where to drop off the spent battery, or call **1-800-8-BATTERY**.

SERVICE INFORMATION

Black & Decker offers a full network of company-owned and authorized service locations throughout North America. All Black & Decker Service Centers are staffed with trained personnel to provide customers with efficient and reliable power tool service.

Whether you need technical advice, repair, or genuine factory replacement parts, contact the Black & Decker location nearest you. To find your local service location, refer to the yellow page directory under "Tools—Electric" or call: 1-800-54-HOW TO (544-6986).

FULL TWO-YEAR HOME USE WARRANTY

Black & Decker (U.S.) Inc. warrants this product for two years against any defects in material or workmanship. The defective product will be replaced or repaired at no charge in either of two ways.

The first, which will result in exchanges only, is to return the product to the retailer from whom it was purchased (provided that the store is a participating retailer). Returns should be made within the time period of the retailer's policy for exchanges (usually 30 to 90 days after the sale). Proof of purchase may be required. Please check with the retailer for their specific return policy regarding returns that are beyond the time set for exchanges.

The second option is to take or send the product (prepaid) to a Black & Decker owned or authorized Service Center for repair or replacement at our option. Proof of purchase may be required. Black & Decker owned and authorized Service Centers are listed under "Tools-Electric" in the yellow pages of the phone directory.

This warranty does not apply to accessories. This warranty gives you specific legal rights and you may have other rights which vary from state to state. Should you have any questions, contact the manager of your nearest Black & Decker Service Center.

Imported by
Black & Decker (U.S.) Inc.,
701 E. Joppa Rd.
Towson, MD 21286 U.S.A.



See "Tools-Electric"
- Yellow Pages -
for Service & Sales



OUTIL UNIVERSEL SANS FIL DE 12 VOLTS

NUMÉRO DE CATALOGUE MT1203

AVANT DE RETOURNER LE PRODUIT, PEU IMPORTE LA RAISON PRIÈRE DE COMPOSER

1 800 544-6986

IMPORTANTES RENSEIGNEMENTS :

Charger la pile pendant 9 heures avant d'utiliser le produit pour la première fois. Pour obtenir plus de renseignements, consulter la section « CHARGEMENT DU BLOC-PILE » du présent guide.

⚠ MESURES DE SÉCURITÉ

⚠ AVERTISSEMENT : Lire et comprendre toutes les directives. Le non-respect de toutes les directives suivantes présente des risques de secousses électriques, d'incendie ou de blessures graves.

CONSERVER CES MESURES.

ZONE DE TRAVAIL

- **S'assurer que la zone de travail est propre et bien éclairée.** Des établis encombrés et des endroits sombres présentent des risques d'accidents.
- **Ne pas utiliser des outils électriques en présence de vapeurs explosives (comme celles dégagées par des liquides, des gaz ou des poussières inflammables).** Les étincelles générées par le moteur des outils électriques peuvent enflammer les poussières ou les vapeurs.
- **Éloigner les curieux, les enfants et les visiteurs de la zone de travail lorsqu'on utilise un outil électrique.** Une distraction peut entraîner la perte de maîtrise de l'outil.

MESURES DE SÉCURITÉ RELATIVES À L'ÉLECTRICITÉ

- Les outils à double isolation comportent une fiche polarisée (une lame plus large que l'autre). La fiche n'entre que d'une façon dans une prise polarisée. Lorsque la fiche n'entre pas à fond dans la prise, essayer de nouveau après avoir inversé les broches de la fiche. Si la fiche n'entre toujours pas dans la prise, communiquer avec un électricien certifié afin de faire installer une prise polarisée. Ne modifier en aucune façon la fiche. La double isolation élimine le besoin d'un cordon trifilaire mis à la terre et d'un système d'alimentation mis à la terre.
- **Éviter de toucher à des surfaces mises à la terre comme des tuyaux, des radiateurs, des cuisinières et des réfrigérateurs.** Les risques sont alors plus élevés si le corps de l'utilisateur est mis à la terre.
- **Protéger les outils électriques de la pluie ou des conditions mouillées.** Une infiltration d'eau dans l'outil augmente les risques de secousses électriques.
- **Manipuler le cordon avec soin.** Ne jamais se servir du cordon afin de transporter l'outil ni tirer sur le cordon pour débrancher l'outil. Éloigner le cordon des sources de chaleur, des flaques d'huile, des arêtes tranchantes et des pièces mobiles. Remplacer immédiatement les cordons endommagés. Les cordons endommagés augmentent les risques de secousses électriques.
- **Lorsqu'on utilise un outil électrique à l'extérieur, se servir d'un cordon de rallonge prévu pour l'extérieur, portant la mention "W-A" ou "W".** Ces cordons sont conçus pour servir à l'extérieur et minimiser les risques de secousses électriques.

SÉCURITÉ PERSONNELLE

- **Demeurer vigilant, prendre soin et faire preuve de jugement lorsqu'on utilise un outil électrique.** Ne pas s'en servir lorsqu'on est fatigué ou affaibli par des drogues, de l'alcool ou des médicaments. De graves blessures peuvent résulter d'un moment d'inattention lors de l'utilisation d'un outil électrique.
- **Porter des vêtements appropriés. Éviter de porter des vêtements amples ou des bijoux. Recouvrir la chevelure si elle est longue.** Éloigner les cheveux, les vêtements et les gants des pièces en mouvement qui peuvent les happer.
- **Éviter les démarrages accidentels. S'assurer que l'interrupteur est en position hors tension avant de brancher l'outil.** Afin d'éviter les risques de blessures, ne pas transporter l'outil avec le doigt sur l'interrupteur ni brancher un outil dont l'interrupteur est en position sous tension.
- **Enlever les clés de réglage avant de mettre l'outil sous tension.** Une clé qui est laissée sur une pièce rotative de l'outil présente des risques de blessures.
- **Ne pas dépasser sa portée. Garder son équilibre en tout temps.** On s'assure d'une meilleure maîtrise de l'outil dans des situations imprévues grâce à une position stable et un bon équilibre.
- **Porter de l'équipement de sécurité. Toujours porter des lunettes de sécurité.** Dans certaines conditions, il faut porter des masques respiratoires, des chaussures antidérapantes, un casque de sécurité ou des protège-tympan.

UTILISATION ET ENTRETIEN DE L'OUTIL

- **Utiliser des pinces de serrage ou de tout autre moyen pratique afin de fixer et de soutenir la pièce à ouvrir sur une plate-forme stable.** La pièce est instable lorsqu'elle est retenue par la main ou le corps de l'utilisateur. Cela présente des risques de perte de maîtrise de l'outil.
- **Ne pas forcer l'outil. Utiliser l'outil approprié à la tâche.** L'outil approprié fonctionne mieux et sûrement lorsqu'on s'en sert à son rendement nominal.
- **Ne pas se servir de l'outil lorsque l'interrupteur est défectueux.** Le cas échéant, l'outil est dangereux et il faut le réparer.
- **Débrancher l'outil de la source d'alimentation avant de le régler, d'en remplacer les accessoires ou de le ranger.** On minimise de la sorte le risque de démarrage accidentel de l'outil.
- **Ranger l'outil hors de portée des enfants et de toute autre personne qui n'en connaît pas le fonctionnement.** L'outil est dangereux entre les mains de ces personnes.
- **Prendre soin des outils. S'assurer que les outils de coupe sont tranchants et propres.** Des outils bien entretenus à arêtes tranchantes ont moins tendance à se coincer et ils se maîtrisent mieux.
- **Vérifier l'alignement et les attaches des pièces mobiles, le degré d'usure des pièces ainsi que tout autre facteur susceptible de nuire au bon fonctionnement de l'outil.** Faire réparer un outil endommagé avant de s'en servir. Des outils mal entretenus sont la cause de nombreux accidents.
- **Utiliser seulement les accessoires recommandés par le fabricant.** Des accessoires qui conviennent à un outil peuvent présenter des risques avec un autre outil.

ENTRETIEN

- **Confier l'entretien de l'outil seulement à du personnel qualifié.** Le non-respect de la présente directive présente des risques de blessures.
- **Lors de l'entretien de l'outil, utiliser seulement des pièces de rechange identiques.** Respecter les consignes relatives à l'entretien du présent guide d'utilisation. Il y a un risque de secousses électriques ou de blessures lorsqu'on utilise des pièces non autorisées ou lorsqu'on ne respecte pas les consignes relatives à l'entretien.

⚠ MESURES DE SÉCURITÉ SPÉCIFIQUES

⚠ AVERTISSEMENT : Certains outils, tels que les sableuses électriques, les scies, les meules, les perceuses ou certains autres outils de construction, peuvent soulever de la poussière contenant des produits chimiques susceptibles d'entraîner le cancer, des malformations congénitales ou pouvant être nocifs pour le système reproductif. Parmi ces produits chimiques, on retrouve:

- le plomb dans les peintures à base de plomb;
- la silice cristalline dans les briques et le ciment et autres produits de maçonnerie;
- l'arsenic et le chrome dans le bois de sciage ayant subi un traitement chimique.

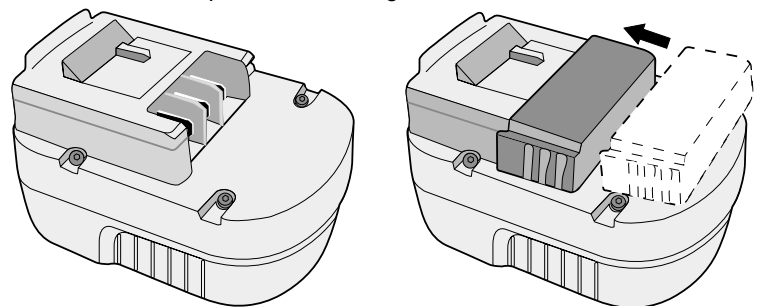
Le risque associé à de telles expositions peut varier selon la fréquence avec laquelle on effectue ces travaux. Pour réduire l'exposition à de tels produits, il faut travailler dans un endroit bien ventilé et utiliser l'équipement de sécurité approprié tel un masque anti-poussières spécialement conçu pour filtrer les particules microscopiques.

L'étiquette de l'outil peut comporter les symboles suivants.

V	volts	A	ampères
Hz	hertz	W	watts
min	minutes	~	courant alternatif
—	courant continu	no	sous vide
☐	Construction de classe II	⊕	borne de mise à la minute
⚠	symbole d'avertissement	.../min	tours ou courses à la minute

INFORMATION CONCERNANT LE CAPUCHON DU BLOC-PILE

Un capuchon est fourni avec le bloc-pile en vue d'être utilisé chaque fois qu'on retire ce dernier de l'outil ou du chargeur en vue de le ranger ou de le transporter; enlever le capuchon avant de remettre le bloc-pile dans le chargeur ou dans l'outil.



AVERTISSEMENT : s'assurer, au moment de ranger ou de transporter le bloc-pile, qu'aucun objet métallique n'entre en contact avec les bornes à découvert du bloc-pile. Par exemple, il faut éviter de placer un bloc-pile sans capuchon dans un tablier, une poche, une boîte à outils ou un tiroir (etc.) contenant des objets tels que des clous, des vis ou des clés, car le bloc-pile pourrait causer un court-circuit et s'endommager, ou risquer de provoquer des brûlures ou un incendie.

⚠ MESURES DE SÉCURITÉ : CHARGEMENT

1. Le présent guide renferme d'importantes directives relatives à la sécurité et au fonctionnement.
2. Avant d'utiliser le chargeur de piles, bien lire toutes les directives et les mises en garde qui se trouvent sur (1) le chargeur de piles, (2) l'ensemble de piles et (3) le produit utilisant l'ensemble de piles.
3. **⚠ MISE EN GARDE :** Afin de minimiser les risques de blessures, charger seulement des ensembles de piles Black & Decker. D'autres types de piles pourraient exploser et causer des blessures et des dommages.
4. Protéger le chargeur de la pluie et de la neige.
5. L'utilisation d'accessoires non recommandés ni vendus par Black & Decker présente des risques d'incendie, de secousses électriques ou de blessures.
6. Il vaut mieux tirer sur la fiche que sur le cordon pour débrancher le chargeur afin de minimiser les risques de dommages à la fiche et au cordon.
7. S'assurer que le cordon est situé de sorte qu'on ne puisse marcher dessus, y trébucher, l'endommager ou le soumettre à toute autre contrainte.
8. Utiliser un cordon de rallonge seulement en cas d'absolue nécessité. L'utilisation d'un cordon de rallonge inapproprié présente des risques d'incendie ou de secousses électriques.
 - a. Les cordons bifilaires peuvent être utilisés avec un cordon de rallonge muni de 2 ou de 3 fils. Il faut seulement utiliser des cordons de rallonge à gaine ronde homologués par l'organisme américain Underwriters Laboratories (U.L.). Lorsque le cordon de rallonge est utilisé à l'extérieur, il doit être prévu à cet effet. Tout cordon extérieur peut servir à l'intérieur. Les lettres «W» ou «WA» sur la gaine du cordon indiquent que celui-ci convient pour une utilisation à l'extérieur.
 - b. Les cordons de rallonge doivent être faits de conducteurs de calibre approprié (AWG ou

auge américaine des fils) par mesure de sécurité et afin de prévenir les pertes de puissance et les surchauffes. Le numéro de calibre du fil est inversement proportionnel à la capacité du cordon. Ainsi, un cordon de calibre 16 a une capacité supérieure à un cordon de calibre 18. Lorsqu'il est nécessaire d'utiliser plus d'un cordon de rallonge, veiller à ce que chaque cordon ait au moins le calibre minimal.

TABLEAU POUR LE CALIBRE MINIMAL (AWG) DES CORDONS DE RALLONGE						
INTENSITÉ (A) - PLAQUE SIGNALÉTIQUE – 0 – 10,0						
Longueur totale du cordon de rallonge (pi)	25	50	75	100	125	150
Calibre de fil	18	18	16	16	14	14

9. Utiliser seulement le chargeur fourni pour charger la perceuse. L'utilisation de tout autre chargeur peut endommager la perceuse et être dangereuse.

10. Utiliser un seul chargeur à la fois.

11. Ne pas tenter de démonter le chargeur ni la perceuse. L'utilisateur ne peut les réparer. En confier les réparations à un centre de service autorisé Black & Docker.

12. NE PAS incinérer la perceuse ni les ensembles de piles même si ceux-ci sont très endommagés ou complètement usés. La chaleur des flammes risque de les faire exploser.

13. Ne pas incinérer les piles. La chaleur des flammes risque de les faire exploser. Il peut se produire une légère fuite du liquide excitateur des piles dans des conditions d'utilisation et de chargement difficiles ou en cas de température extrême, fuite qui ne serait pas nécessairement un signe de panne. Toutefois, si ce liquide s'échappe par une rupture du joint étanche du boîtier et atteint la peau, il faut :

a. laver immédiatement à l'eau et au savon;

b. neutraliser à l'aide d'un acide doux (jus de citron ou vinaigre, p. ex.);

c. si le liquide excitateur atteint les yeux, il faut rincer à l'eau claire pendant au moins dix minutes et consulter immédiatement un médecin. **AVIS AU MÉDECIN** : Le liquide excitateur est une solution d'hydrogène de potassium à 25-35 p. 100.

CHARGEMENT DU BLOC-PILES

LE BLOC-PILES N'EST PAS COMPLÈTEMENT CHARGÉ EN USINE. IL IMPORTE DONC DE LIRE ATTENTIVEMENT TOUTES LES CONSIGNES DE SÉCURITÉ AVANT DE LE CHARGER.

Le chargeur est conçu pour être branché dans une prise résidentielle standard de 120 volts et de 60 Hz.

1. Brancher le chargeur dans une prise murale appropriée.

2. Glisser le bloc-pile dans le chargeur, tel qu'illustré à la figure 1, et le charger pendant **9 heures**. Après la charge initiale et à la suite d'une utilisation normale, le bloc-pile devrait se charger complètement en **3 à 6 heures**.

3. Retirer le bloc-pile du chargeur et l'insérer dans l'outil Fig. 2. **REMARQUE** : pour retirer le bloc-pile de la scie, appuyer sur le bouton de dégagement situé à l'arrière du bloc-pile (figure 3) et tirer sur ce dernier pour le dégager.

Notes importantes relatives au chargement

CONSEILS IMPORTANTS CONCERNANT LE CHARGEMENT

1. À la suite d'une utilisation normale, le bloc-pile devrait prendre de 3 à 6 heures pour se charger complètement, et jusqu'à 6 heures s'il est complètement déchargé. Le bloc-pile n'est pas chargé au moment de quitter l'usine; on doit donc le charger pendant au moins 9 heures avant de l'utiliser.

2. Afin d'éviter d'endommager le bloc-pile, il est important de NE PAS le charger à des températures inférieures à +4,5 °C (+40 °F) ou supérieures à +40,5 °C (+105 °F). Pour augmenter la durée de vie du bloc-pile et optimiser son rendement, le charger à une température d'environ 24°C (75 °F).

3. Le chargeur peut émettre un bourdonnement ou devenir chaud au toucher durant le chargement. Cela est normal et n'indique pas la présence d'un problème.

4. Si le bloc-pile ne se charge pas normalement, il faut : (1) vérifier l'alimentation de la prise en y enfichant une lampe ou un appareil, (2) s'assurer que la prise n'est pas raccordée à un interrupteur qui coupe le courant lorsqu'on éteint les lumières, (3) placer le chargeur et le bloc-pile dans un endroit où la température ambiante est environ +4,5 °C (+40 °F) à +40,5 °C (+105 °F) ou, si le problème persiste, (4) retourner le bloc-pile et le chargeur au centre de service Black & Decker le plus près (les centres de service autorisés sont répertoriés dans les pages jaunes sous la rubrique «Outils - électriques»).

5. Le bloc-pile doit être rechargé lorsqu'il ne produit pas suffisamment de courant pour permettre à l'utilisateur de travailler normalement. On doit CESSER d'utiliser la scie dans de telles conditions.

6. On peut prolonger la durée de vie du bloc-pile en évitant de le laisser dans le chargeur pendant de longues périodes (plus de 30 jours lorsqu'on ne l'utilise pas). Bien que la surcharge du bloc-pile ne soit pas un problème au niveau de la sécurité, cette pratique peut réduire de façon appréciable sa durée de vie.

7. Lorsqu'on insère le bloc-pile dans le chargeur, le témoin rouge s'allume pour indiquer que le contact entre le bloc-pile et le chargeur s'est établi; celui-ci reste allumé tant que le bloc-pile est dans le chargeur et que ce dernier est enfiché dans une prise sous tension. Le témoin NE CLIGNOTERA PAS, ne s'éteindra pas et ne changera pas de couleur une fois la période de charge terminée.

8. Le bloc-pile atteindra son rendement optimal après avoir terminé cinq cycles de charge et de décharge au cours d'une utilisation normale. Il n'est pas nécessaire de décharger complètement le bloc-pile avant de le recharger. Le meilleur moyen de charger et de décharger le bloc-pile est de l'utiliser normalement.

FONCTIONNEMENT

INSTALLATION ET RETRAIT DE PORTE-OUTILS INTERCHANGEABLES

Remarque : s'assurer que le bouton de commande de marche avant / arrière soit à la position centrale d'arrêt.

Pour installer un porte-outil, aligner les flèches de ce dernier et de l'outil, puis insérer le porte-outil jusqu'à ce qu'on entende un déclic, indiquant qu'il est bien enclenché (fig. 4). Pour le retirer, appuyer sur le bouton de dégagement, puis le tirer hors de l'outil. **On doit retirer la pile de l'outil, ainsi que tous les accessoires insérés dans le porte-outil, avant de procéder à l'installation ou au retrait du porte-outil.**

COMMANDE DE VITESSE VARIABLE

L'outil est doté d'un interrupteur à gâchette de commande de vitesse variable; plus il est enfoncé, plus la vitesse du porte-outil est élevée. Remarque: l'interrupteur ne fonctionne pas lorsqu'il n'y a aucun porte-outil.

INTERRUPTEUR À GÂCHETTE ET BOUTON DE VERROUILLAGE EN POSITION DE MARCHÉ AVANT / ARRIÈRE

Un bouton de commande de marche avant / arrière, qui sert aussi de bouton de verrouillage en position d'arrêt, détermine la direction de marche de l'outil. Pour sélectionner la position de marche avant, relâcher l'interrupteur à gâchette et enfoncer le bouton de commande, tel qu'illustré à la figure 5. Pour sélectionner la position de marche arrière, appuyer sur le même bouton pour choisir la direction opposée. La position centrale du bouton sert à verrouiller l'outil en position d'arrêt. Remarque: pour obtenir un rendement optimal, toujours mettre le bouton en position de marche avant lorsqu'on utilise l'outil en mode de ponceuse ou de scie.

PERÇAGE

Remarque : s'assurer que le bouton de commande de marche avant / arrière soit en position centrale d'arrêt.

MANDRIN SANS CLÉ

Pour insérer une mèche ou tout autre accessoire, suivre les étapes décrites ci-dessous :

1.Saisir la partie arrière du mandrin d'une main et utiliser l'autre pour faire tourner la partie avant vers la gauche (fig. 6).

2.Bien insérer la mèche ou l'accessoire dans le mandrin et serrer fermement en saisissant la partie arrière du mandrin d'une main et en faisant tourner de l'autre la partie avant vers la droite (lorsqu'on la regarde à partir de l'extrémité du mandrin).

△**AVERTISSEMENT** : ne pas tenter de serrer une mèche (ou tout autre accessoire) en saisissant la partie avant du mandrin et en mettant l'outil en marche; cela pourrait endommager le mandrin ou entraîner des blessures lorsqu'on change un accessoire.

RÉGLAGE DU COUPLE

Le collier de réglage de couple à 24 positions est illustré à la figure 5; 23 de ces positions s'appliquent au mode tournevis, tandis que la dernière, représentée par le symbole d'une mèche, est utilisée pour le mode perceuse. Pour se servir de l'outil en mode tournevis, mettre d'abord le collier à la position «1», puis placer et serrer une première vis. Si l'embrayage de la perceuse se met à encliqueter avant que la vis ne soit bien ancrée, tourner le collier de réglage jusqu'à ce que l'embrayage se déclenche, lorsque la vis est complètement enfoncée dans la surface. Conserver ce réglage pour serrer les autres vis.

UTILISATION EN MODE PERÇAGE

Toujours retirer les piles de l'outil avant de fixer ou de retirer un accessoire. Lorsqu'on

utilise un mandrin sans clé, on doit le serrer fermement à la main.

• Utiliser des mèches aiguisées seulement.

• Bien soutenir et fixer l'ouvrage, conformément aux directives de sécurité.

• Utiliser le matériel de sécurité approprié, conformément aux consignes de sécurité.

• Garder la zone de travail propre et sécuritaire, conformément aux consignes de sécurité.

• Faire fonctionner la perceuse très lentement en exerçant une légère pression, jusqu'à ce que le trou soit suffisamment profond pour empêcher la mèche d'en sortir.

• Appliquer une pression en ligne droite au moyen de la mèche en exerçant juste assez de pression pour permettre à la mèche de mordre dans l'ouvrage, en évitant de caler le moteur ou de faire dévier la mèche.

• Saisir fermement la perceuse afin de maîtriser la torsion de cette dernière.

• NE PAS ENFONCER ET RELÂCHER LA GÂCHETTE À PLUSIEURS REPRISES POUR ESSAYER DE REDÉMARRER LA PERCEUSE AFIN D'ÉVITER DE L'ENDOMMAGER.

• Réduire les risques de calage au minimum en réduisant la pression lorsque la mèche perce l'ouvrage et en perçant lentement la dernière section du trou.

• Maintenir le moteur en marche lorsqu'on retire la mèche du trou percé afin d'éviter qu'elle reste coincée.

• Utiliser une huile de coupe pour percer des métaux, à l'exception de la fonte et du laiton, car ces derniers doivent être percés à sec. Les meilleurs lubrifiants sont l'huile sulfurée et l'huile de lard; on peut aussi utiliser de la graisse de bacon.

• Lorsqu'on utilise des mèches hélicoïdales pour percer des trous dans le bois, il faut sortir les mèches fréquemment pour enlever les copeaux restés coincés dans les cannelures.

• S'assurer que l'interrupteur puisse mettre la perceuse en position de marche ou d'arrêt.

△**AVERTISSEMENT** : il est important de bien immobiliser l'ouvrage et de saisir fermement l'outil afin d'éviter de perdre la maîtrise, ce qui pourrait entraîner des blessures.

SCIAGE

Remarque : s'assurer que le bouton de commande de marche avant / arrière soit en position centrale d'arrêt.

INSTALLATION DE LA LAME

Ce modèle de lame sauteuse est muni d'un système de changement de lame Quick ClampMC. Pour installer la lame, soulever le levier Quick ClampMC (fig. 7) et insérer complètement la tige de la lame dans la bride de serrage de cette dernière. Relâcher le levier afin de fixer la lame solidement en place. L'arrière de la lame doit presque toucher le dispositif de guidage du support de galet. S'assurer que les dents de la lame soient dirigées vers l'avant.

DISPOSITIF DE GUIDAGE DU SUPPORT DE GALET

Le dispositif de guidage du support de galet améliore le rendement de la scie sauteuse lors de la coupe de matériaux durs en offrant un meilleur support à la lame. Lubrifier le rouleau de guidage à l'occasion en y appliquant une goutte d'huile afin de prolonger sa durée de vie.

UTILISATION DE LA SCIE SAUTEUSE

La scie sauteuse est munie d'un bouton de verrouillage en position d'arrêt. Pour démarrer la scie, appuyer sur le bouton de commande illustré à la figure 8, puis sur l'interrupteur à gâchette (fig. 4). Relâcher ensuite le bouton de verrouillage en position d'arrêt.

RÉGLAGE DU PATIN POUR COUPES ANGULAIRES

Le patin peut être réglé à un angle de 45° sur un côté. Pour ce faire, desserrer la vis située sur la base de la tête de l'outil jusqu'à ce que le patin puisse être déplacé librement, puis déplacer ce dernier dans la fente avant. Resserrer la vis. Pour régler de nouveau le patin en vue d'effectuer une coupe à l'équerre, desserrer la vis et déplacer le patin jusqu'à ce que cette dernière soit appuyée contre la partie arrière de la fente. Resserrer la vis.

COUPES ORDINAIRES

S'assurer que le matériau à couper soit solidement fixé. Ne pas tenter de mettre l'outil en marche lorsque la lame est en contact avec le matériau puisque cela pourrait caler le moteur. Tenir fermement le patin vers le bas, contre la surface de travail, durant la coupe. Ne pas forcer l'outil; laisser ce dernier couper à la vitesse normale. Dans la mesure du possible, fixer ou soutenir le matériau à couper près de la ligne de coupe. Une fois la coupe terminée, couper le courant et mettre la scie de côté avant de desserrer le matériau coupé.

COUPE DU MÉTAL ET DU PLASTIQUE

Lorsqu'on coupe de la tôle mince, il est préférable de fixer un morceau de bois ou de contre-plaqué sous la tôle afin d'assurer une coupe précise sans risquer de causer des vibrations ou de déchirer la tôle. Utiliser une lame à dents fines pour les métaux ferreux (c'est-à-dire, ceux qui contiennent du métal) et une lame à grosses dents pour les métaux non ferreux (c'est-à-dire, ceux qui ne contiennent aucun métal).

Puisque la coupe d'une tôle mince prend plus de temps que celle d'un bois relativement épais, on doit éviter d'accélérer l'opération en forçant la scie. Appliquer une mince couche d'huile de coupe le long de la ligne de coupe (n'importe quelle huile légère). Utiliser une basse vitesse pour couper le métal, le plastique et le carrelage d'agglomérés. Pour la coupe de plastique stratifié, placer le côté terminé vers le bas et utiliser une lame évidée à dents fines.

COUPE EFFECTUÉE À L'INTÉRIEUR DU MATÉRIAU

• Mesurer la surface de coupe et marquer celle-ci clairement au moyen d'un crayon à mine. Pencher ensuite la scie vers l'avant jusqu'à ce que la partie antérieure du patin repose solidement sur la surface de travail.

• Mettre l'outil en marche et appuyer sur l'interrupteur à gâchette jusqu'au fond pour atteindre la vitesse maximale.

• Saisir fermement la poignée et baisser lentement le dos de la scie jusqu'à ce que la lame coupe le matériau sans à-coups. Toujours s'assurer que la lame atteigne sa pleine profondeur avant d'amorcer la coupe.

PONÇAGE

Remarque : s'assurer que le bouton de commande marche / arrière soit en position centrale d'arrêt.

FIXATION DU PAPIER ABRASIF

La ponceuse est conçue pour des feuilles de papier abrasif pré-coupées à envers de nylon de dimension précise. Pour fixer le disque de papier abrasif, l'aligner avec le tampon ponceur et appuyer fermement dessus pour le fixer solidement.

S'assurer que le papier abrasif dépasse le contour de la base uniformément. Ne jamais utiliser la ponceuse sans papier abrasif ni accessoire. Le papier fourni avec la ponceuse comprend deux pointes au diamant de rechange qui peuvent être soit substituées, soit pivotées. Pour tourner une pointe, la retirer du tampon, la faire pivoter d'un demi-tour (180°), puis la fixer solidement sur la base crochetée en appuyant dessus. Remarque : retirer les deux pointes de rechange du papier abrasif avant d'utiliser ce dernier et les mettre de côté afin de pouvoir les réutiliser lorsque les pointes originales deviendront usées.

PONÇAGE DE PEINTURE À BASE DE PLOMB

Le ponçage de peintures à base de plomb n'est PAS RECOMMANDÉ puisqu'il est trop difficile de maîtriser la poussière contaminée. Les enfants et les femmes enceintes courent le plus grand risque d'intoxication par le plomb. Puisqu'il est difficile de savoir, sans effectuer une analyse chimique, si une peinture contient du plomb, on recommande de suivre les mesures de précaution décrites ci-après.

SÉCURITÉ PERSONNELLE

• S'assurer que les enfants et les femmes enceintes n'entrent pas dans la zone de travail avant qu'elle n'ait été nettoyée à fond.

• Toute personne qui entre dans la zone de travail doit porter un masque anti-poussières ou un appareil respiratoire; le filtre doit être remplacé chaque jour ou lorsque la respiration devient difficile.

• Remarque: seuls les masques anti-poussières approuvés pour les poussières et les vapeurs de peinture au plomb doivent être utilisés, car les masques ordinaires n'offrent pas ce type de protection. Consulter le quincaillier local pour obtenir un masque approuvé par le NIOSH.

• Il est interdit de MANGER, de BOIRE ou de FUMER dans la zone de travail afin d'éviter d'ingérer des particules de peinture contaminées. Les travailleurs doivent se laver AVANT de manger, de boire ou de fumer et nettoyer à fond la zone de travail afin de n'y laisser aucun article sur lequel la poussière pourrait se déposer.

SÉCURITÉ ENVIRONNEMENTALE

• On doit enlever la peinture de manière à réduire au minimum la quantité de poussière générée.

• On doit sceller les zones où on enlève la peinture au moyen de grandes feuilles de plastique d'une épaisseur de 4 mils.

• On doit effectuer le ponçage de manière à éviter autant que possible de traîner de la poussière à l'extérieur de la zone de travail.

NETTOYAGE ET ÉLIMINATION

• Chaque jour, on doit passer l'aspirateur sur toutes les surfaces situées à l'intérieur de la

zone de travail et les nettoyer à fond et ce, pendant toute la durée du projet de ponçage; les sacs filtrants doivent être remplacés fréquemment.

- On doit ramasser les grandes feuilles de plastique, les particules de poussière ou tout autre type de débris et les mettre au rebut en les déposant dans des récipients scellés; les éliminer suivant les procédures habituelles. Tenir les enfants et les femmes enceintes à l'écart de la zone de travail lorsqu'on effectue le nettoyage.
- Laver à fond les jouets, les meubles et les ustensiles contaminés avant de permettre aux enfants de les utiliser à nouveau.

ACCESORIOS

Les détaillants ou le centre de service autorisé de la région vendent des accessoires recommandés pour l'outil. Pour trouver un accessoire, il suffit de composer le

1 (800) 544-6986.

⚠ **AVERTISSEMENT** : L'utilisation de tout accessoire non recommandé pour l'outil peut être dangereuse.

LE SCEAU RBRC^{mc}*

Le sceau RBRC^{mc} de la pile au nickel-cadmium indique que Black & Decker défraie le coût du recyclage de la pile à la fin de sa durée utile. Le programme RBRC^{mc} offre une solution de rechange pratique à la mise au rebut des piles au nickel-cadmium usées, que ce soit à la poubelle ou dans le système municipal car cette mise au rebut est illégale à certains endroits.



L'organisme RBRC en collaboration avec Black & Decker et d'autres utilisateurs de piles a mis sur pied des programmes aux États-Unis afin de faciliter la collecte des piles au nickel-cadmium usées. Pour aider à préserver l'environnement et à conserver les ressources naturelles, il suffit de retourner les piles au nickel-cadmium usées à un centre de service Black & Decker ou chez le détaillant de la région pour qu'elles soient recyclées. On peut également communiquer avec le centre de recyclage de la région afin de savoir où déposer les piles usées, ou composer le 1 (800) 822-8837.

*RBRC^{mc} est une marque de commerce de l'organisme américain Rechargeable Battery Recycling Corporation.

Renseignements relatifs au service

Black & Decker exploite un réseau complet de centres de service et d'ateliers d'entretien autorisés par toute l'Amérique du Nord. Le personnel de tous les centres de service Black & Decker a reçu la formation voulue pour assurer l'entretien efficace et fiable des outils électriques.

Pour obtenir des renseignements d'ordre technique, des conseils relatifs aux réparations ou des pièces de rechange d'origine, communiquer avec le centre de service Black & Decker de la région. On peut trouver l'adresse du centre de service de la région dans l'annuaire des

Pages Jaunes à la rubrique «Outils électriques» ou en composant le numéro suivant : **1 (800) 544-6986.**

Garantie complète de deux ans pour utilisation domestique

Black & Decker garantit le produit pour une période de deux ans contre les vices de matière ou de fabrication. Le produit défectueux sera réparé ou remplacé sans frais conformément à l'une des conditions suivantes.

Pour échanger l'outil, il suffit de le retourner au détaillant (si le détaillant participe au programme d'échange rapide Black & Decker). Le retour doit être effectué dans les délais impartis par la politique de retour du détaillant (habituellement entre 30 et 90 jours suivant la date d'achat). Le détaillant peut exiger une preuve d'achat. Prière de vérifier la politique de retour du détaillant au-delà des délais impartis.

On peut également retourner l'outil (port payé) à un centre de service Black & Decker ou à tout autre atelier d'entretien accrédité pour y être remplacé ou réparé, à notre gré. On peut exiger une preuve d'achat. Les adresses des centres de service Black & Decker se trouvent à la rubrique «Outils électriques» des Pages Jaunes.

La présente garantie ne vaut pas pour les accessoires. Les modalités de la présente garantie donnent des droits légaux spécifiques. L'utilisateur peut également se prévaloir d'autres droits selon l'état ou la province qu'il habite. Pour obtenir de plus amples renseignements, communiquer avec le directeur du centre de service Black & Decker de la région. Le produit n'est pas conçu pour un usage commercial.

Imported by / Importé par
Black & Decker Canada Inc.
100 Central Ave.
Brockville (Ontario) K6V 5W6

Voir la rubrique "Outils électriques"
des Pages Jaunes
pour le service et les ventes.



HERRAMIENTA MULTIFUNCIONAL INALÁMBRICA DE 12 OLTIOS

MANUAL DE INSTRUCCIONES

NÚMERO DE CATÁLOGO MT1203

INFORMACION IMPORTANTE QUE USTED DEBE SABER

Cargue la batería durante 9 horas antes de utilizar el producto por primera vez. Para mayor información consulte las instrucciones "PARA CARGAR EL APARATO DE RECARGA DE BATERIA".

ANTES DE DEVOLVER ESTE PRODUCTO POR CUALQUIER RAZON POR FAVOR
LLAME **326-7100**

REGLAS GENERALES DE SEGURIDAD

⚠ ¡**ADVERTENCIA!** Lea y comprenda todas las instrucciones. No seguir todas las instrucciones listadas a continuación puede originar descargas eléctricas, incendios y (o) lesiones personales de gravedad.

CONSERVE ESTAS INSTRUCCIONES

AREA DE TRABAJO

- Conserve su área de trabajo limpia y bien iluminada. Los bancos con objetos acumulados y las áreas oscuras propician los accidentes.
- No opere herramientas eléctricas en atmósferas explosivas, como en presencia de líquidos inflamables, gases o polvos. Las herramientas eléctricas crean chispas que pueden originar la ignición de los polvos o vapores.
- Conserve alejados a espectadores, niños y visitantes mientras opera la herramienta. Las distracciones pueden ocasionar que pierda el control.

SEGURIDAD ELECTRICA

- Las herramientas con doble aislamiento están equipadas con una clavija polarizada (con una pata más ancha que la otra.) Esta clavija se acoplará únicamente en una toma de corriente polarizada de una manera. Si la clavija no se acopla al contacto, invíértala. Si aún así no se ajusta, comuníquese con un electricista calificado para que le instalen una toma de corriente polarizada apropiada. No cambie la clavija por ningún motivo. El doble aislamiento elimina la necesidad de cables con tres hilos y sistemas de alimentación con conexión a tierra.
- Evite el contacto corporal con superficies aterrizadas tales como tuberías, radiadores, hornos y refrigeradores. Hay un gran riesgo de choque eléctrico si su cuerpo hace tierra.
- No exponga las herramientas eléctricas a la lluvia o a condiciones de mucha humedad. El agua que se introduce en las herramientas aumenta el riesgo de descargas eléctricas.
- No maltrate el cable. Nunca tome el cable para transportar una herramienta ni para desconectarla de la toma de corriente. Consérvelo alejado de calor aceite, bordes afilados o piezas móviles. Cambie inmediatamente los cables dañados. Los cables dañados aumentan el riesgo de choque eléctrico.
- Cuando opere una herramienta eléctrica a la intemperie, utilice una extensión marcada "W-A" o "W". Estas extensiones están clasificadas para uso a la intemperie y para reducir el riesgo de choques eléctricos.

SEGURIDAD PERSONAL

- Esté alerta, concéntrese en lo que haga y utilice el sentido común al operar una herramienta eléctrica. No utilice la herramienta si se encuentra cansado o bajo la influencia de drogas, alcohol o medicamentos. Un momento de distracción al operar herramientas eléctricas puede originar una lesión de gravedad.
- Vístase de manera adecuada. No utilice ropas sueltas ni piezas de joyería. Cubra su cabello si lo tiene largo. Conserve cabello, ropas y guantes alejados de las piezas móviles. Las ropas sueltas, las joyas y el cabello largo pueden quedar atrapados en las piezas móviles.
- Evite el encendido accidental. Asegúrese que el interruptor esté en posición de apagado antes de conectar. Sostener una herramienta con el dedo en el interruptor o conectarla sin fijarse si el interruptor está en posición de encendido propicia los accidentes.
- Retire las llaves de ajuste antes de encender la herramienta. Una llave colocada en una parte móvil de la herramienta puede ocasionar una lesión personal.
- No se sobreextienda. Conserve siempre bien apoyados los pies, lo mismo que el equilibrio. El apoyo correcto permite mayor control de la herramienta en situaciones inesperadas.
- Utilice equipo de seguridad. Protégase siempre los ojos. Deben emplearse máscaras contra polvo, calzado antiderrapante, cascos y protección auditiva como medidas básicas de seguridad.

USO Y CUIDADOS DE LA HERRAMIENTA

- Utilice prensas u otros medios prácticos para asegurar y apoyar las piezas de trabajo a una plataforma estable. Sujetar las piezas con la mano o contra su cuerpo es inestable y puede llevar a la pérdida del control.
- No fuerce la herramienta. Emplee la herramienta apropiada para su aplicación. La herramienta correcta hará mejor el trabajo y de manera más segura bajo las especificaciones para las que se diseñó.
- No emplee la herramienta si el interruptor no funciona. Cualquier herramienta que no pueda controlarse con el interruptor es peligrosa y debe ser reparada.
- Desconecte la clavija de la alimentación de corriente antes de hacer cualquier ajuste, cambio de accesorios o antes de guardarla. Estas medidas preventivas reducen el riesgo de encender la herramienta accidentalmente.
- Guarde fuera del alcance de los niños o de otras personas no calificadas las herramientas que no emplee. Las herramientas son peligrosas en manos inexpertas.
- Cuide sus herramientas. Conserve las herramientas de corte limpias y afiladas. Las herramientas cuyas piezas de corte han recibido mantenimiento y están bien afiladas son menos propensas a atascarse y son más controlables.
- Verifique la alineación de las piezas móviles, rupturas y cualesquiera otras condiciones que puedan afectar la operación de la herramienta. Si su herramienta está dañada, hágale servicio antes de usarla de nuevo. Se originan muchos accidentes debido a herramientas con poco mantenimiento.
- Utilice únicamente los accesorios recomendados por el fabricante para su modelo de herramienta. Los accesorios adecuados para una herramienta pueden volverse peligrosos en otra.

SERVICIO

- El servicio a las herramientas lo debe efectuar únicamente personal calificado. El servicio o mantenimiento realizado por personal no calificado puede originar riesgos de lesiones.
- Cuando efectúe servicio a una herramienta, utilice únicamente refacciones idénticas. Siga las instrucciones señaladas en la sección de mantenimiento de este manual. El uso de partes no especificadas o las fallas al seguir las instrucciones de mantenimiento pueden originar riesgos de choque eléctrico o lesiones personales.

⚠ **ADVERTENCIA** : Parte del polvo creado al lijar, aserruchar, moler o perforar con máquina, así como al realizar otras actividades de la construcción, contiene sustancias químicas que se sabe producen cáncer, defectos congénitos u otras afecciones reproductivas. Algunos ejemplos de esas sustancias químicas son:

- plomo de pinturas a base de plomo,
- sílice cristalizado de ladrillos y cemento y otros productos de albañilería, y
- arsénico y cromo de la madera químicamente tratada .

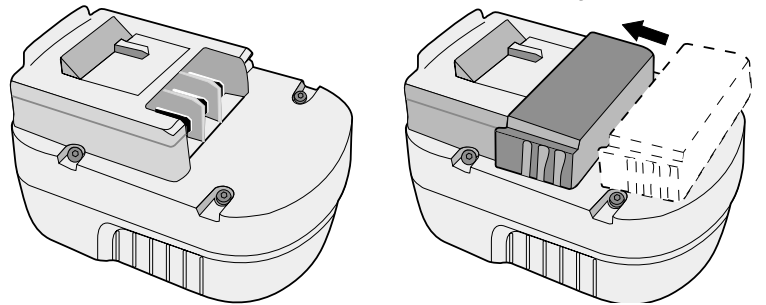
El riesgo al contacto con estas sustancias varía, según la frecuencia en que se haga este tipo de trabajo. Para reducir la exposición a esas sustancias químicas: trabaje en un área bien ventilada, y trabaje con equipos de seguridad aprobados, tales como máscaras contra el polvo especialmente diseñadas para filtrar las partículas microscópicas.

La etiqueta de su herramienta puede incluir los siguientes símbolos.

V	volts	A.....	amperes
Hz	hertz	W	watts
min.....	minutos	~	corriente alterna
===	corriente directa	<i>n</i> o	velocidad sin carga
<input type="checkbox"/>	construcción clase II	⊕	terminales de conexión a tierra
⚠	símbolo de alerta seguridad	.../min	revoluciones o reciprocaciones por minuto

INFORMACIÓN RESPECTO A LA TAPA PARA LA BATERÍA

Se proveen tapas para batería para uso cuando ésta se encuentre fuera de la herramienta o el cargador. Quite la tapa antes de colocar la batería en el cargador o la herramienta.



ADVERTENCIA: Asegúrese de que las terminales de la batería no entren en contacto con metales. Por ejemplo, no coloque la batería en un delantal, bolsillos, cajas de herramientas, estuches del producto, cajones etc. sin antes colocarle la tapa. Sin la tapa, la batería puede entrar en corto circuito causando incendio o quemadura a la batería.

ADVERTENCIAS E INSTRUCCIONES DE SEGURIDAD: CARGA

- Este manual contiene instrucciones de seguridad y de operación importantes.
- Antes de utilizar el cargador de baterías, lea todas las instrucciones y las marcas precautorias en (1) el cargador de baterías, (2) la batería y (3) el producto que emplea la batería.
- ⚠ **PRECAUCION:** A fin de reducir el riesgo de lesiones, solamente recargue baterías Black & Decker. Otros tipos de baterías pueden estallar ocasionando lesiones personales y daños.
- No exponga el cargador a lluvia o nieve.
- El uso de dispositivos no recomendados o vendidos por Black & Decker puede originar riesgos de incendios, descargas eléctricas o lesiones a personas.
- Para reducir el riesgo de daños a la clavija o al cable, tire de la clavija en vez de tirar del cable cuando desconecte el cargador.
- Asegúrese que el cable se ubique de manera que no se pise, se enrolle, o se sujete a otro tipo de tensiones o daños.
- No deben emplearse cables de extensión a menos que sea absolutamente indispensable. El empleo de una extensión incorrecta puede resultar en riesgos de incendio, choque eléctrico o electrocución.
 - Los cables de 2 hilos se pueden emplear con extensiones de 2 o de 3 hilos. Solamente deberán emplearse extensiones con cubierta cilíndrica, y le recomendamos que estén aprobados por la Norma Oficial Mexicana (NOM). Si se piensa utilizar la extensión a la intemperie, ésta deberá ser adecuada para dicho uso. Cualquier extensión marcada para utilizarse a la intemperie se puede emplear bajo techo. las siglas "W" o "WA" en la cubierta de la extensión indican que es adecuada para utilizarse a la intemperie.
 - Una extensión debe tener el calibre de cable adecuado (AWG o American Wire Gauge) por seguridad, y a fin de evitar pérdida de potencia y sobrecalentamiento. Mientras más pequeño sea el número del calibre del alambre, mayor será su capacidad; esto significa que un cable de calibre 16 tiene mayor capacidad que otro de calibre 18. Cuando emplee más de una extensión para alcanzar la longitud total, asegúrese que cada extensión

tenga por lo menos el calibre mínimo requerido.

TABLA PARA EL CALIBRE MÍNIMO DEL ALAMBRE (AWG) EN CABLES DE EXTENSIÓN						
AMPERAJE EN LA PLACA DE IDENTIFICACION – 0 – 10,0						
Longitud total del cable de extensión (m)	7,6	15,2	22,8	30,4	38,1	45,7
Calibre del alambre	18	18	16	16	14	14

- Solamente utilice el cargador suministrado para recargar su taladro. El empleo de cualquier otro cargador puede dañar el taladro o crear condiciones peligrosas.
- Solamente utilice un cargador cuando cargue.
- Nunca intente abrir el cargador ni el taladro. No contienen partes susceptibles de ser reparadas por el usuario en su interior. Envíelos a cualquier centro de servicio Black & Decker.
- NO incinere el taladro o la batería aún cuando estén muy dañados o la batería esté completamente desgastada. Pueden explotar con el fuego. Puede ocurrir una pequeña fuga de líquido de las celdas de la batería bajo condiciones extremas de uso, carga o temperatura. Esto no indica fallas, sin embargo, si el sello externo está roto y el líquido hace contacto con su piel:
 - Lave inmediatamente con agua y jabón.
 - Neutralice con un ácido débil como jugo de limón o vinagre.
 - Si el líquido de la batería toca sus ojos, enjuáguelos con agua limpia por un mínimo de 10 minutos y busque inmediatamente atención médica. **NOTA MÉDICA:** el líquido es una solución de potasa cáustica en concentración de 25 a 35%.

PARA CARGAR LA FUENTE DE ENERGÍA

LAS BATERÍAS DE LA FUENTE DE ENERGÍA NO VIENEN COMPLETAMENTE CARGADAS DE LA FABRICA. ANTES DE CARGARLAS, LEA MINUCIOSAMENTE TODAS LAS INSTRUCCIONES DE SEGURIDAD.

El cargador está diseñado para usar corriente estándar de 120 voltios y 60 Hz.

- Enchufe la batería en cualquier toma de corriente de 120 voltios / 60 Hz.
- Deslice el cargador sobre la batería de acuerdo a las instrucciones contenidas en el Cuadro 1 y déjelo cargar durante **9 horas**. Luego de la carga inicial y bajo uso normal, su batería debería cargarse totalmente en un espacio de **3 a 6 horas**.
- Remueva la batería del cargador y colóquelo en la herramienta (Cuadro 2). **NOTA:** Para remover la batería de la sierra, apriete en el botón de desenlace, apriete en la parte trasera de la batería (Cuadro 3) y retírelo.

Notas importantes sobre la carga

- Luego de uso normal su batería debería recargarse totalmente en un plazo de 3 a 6 horas. En el caso de que se encuentre totalmente descargado puede demorar hasta 6 horas en recargarse. Su batería fue enviada desde la fabrica sin estar cargada. Antes de intentar usarlo debe cargarse durante 9 horas.
- NO CARGUE** la batería a una temperatura inferior a 40°F ni mayor a 105°F. Esto es muy importante y asistirá en prevenir daños serios a la batería. Una vida útil duradera y el máximo rendimiento pueden obtenerse a una temperatura de 75°F.
- Mientras este cargando la batería, el cargador puede en algunos casos emitir un zumbido y su temperatura puede aumentar ligeramente. Esta es una condición normal que no implica ningún problema.
- En caso de que el cargador no cargue adecuadamente - (1) Verifique la corriente en el receptáculo enchufando una lámpara o accesorio similar a la toma de corriente. (2) Verifique si el receptáculo esta conectado a una toma de luz que apaga la corriente al apagar las luces. (3) Mueva la batería y el cargador a una temperatura ambiente de 40°F a 105°F. (4) Si el receptáculo esta en buen estado y la temperatura es la correcta y no logra cargar la batería, lleve o envíe su batería y cargador a un centro Black & Decker cercano a su domicilio. Ver bajo Herramientas Eléctricas en las paginas amarillas de su Anuario telefónico.
- El cargador debe recargarse cuando ya no produce suficiente energía para labores que se realizaban fácilmente con anterioridad. **NO CONTINUE A UTILIZAR SU SIERRRA** con la batería si éstas se encuentran sin energía.
- Para prolongar la vida útil de la batería, evite que esté cargándose durante periodos de tiempo largos (Mas de 30 días sin uso). Aun cuando una sobrecarga no es un factor de seguridad, puede afectar considerablemente su vida útil.
- Cuando la batería se encuentra insertado en el cargador, el "Indicador de Carga" rojo se encenderá indicando que existe contacto entre la batería y el cargador. La luz permanecerá encendida mientras la batería se encuentre en el cargador y el mismo se encuentra enchufado a la toma de corriente. En caso de que **NO SE ENCIENDA**, retire o cambie a un color diferente cuando el ciclo este completo.
- El cargador alcanzara su rendimiento óptimo luego de haber completado 5 ciclos bajo uso normal. No hay necesidad de dejar que se descarguen totalmente las baterías antes de recargarlas. El uso normal es el mejor método para descargar y recargar las baterías.

FUNCIONAMIENTO

INSTALACIÓN Y REMOCIÓN DE LOS CABEZALES DE LAS HERRAMIENTAS INTER-CAMBIABLES

Nota: Asegúrese de que el interruptor de marcha adelante/atrás se encuentre en la posición central (seguro de encendido).

Para instalar un cabezal, alinee las flechas del éste y del bloque del motor e inserte la unidad del cabezal hasta que se ajuste en su lugar, tal como se muestra en la Fig.4. Para retirarlo, presione el botón de desaseguramiento y tire el cabezal de la herramienta hacia afuera. Retire la batería del bloque del motor y todos los accesorios de los cabezales antes de instalarlos o retirarlos.

CONTROL DE VELOCIDAD VARIABLE

El bloque del motor posee un interruptor de velocidad variable. La velocidad de la unidad utilizada será mayor a medida que se oprime el interruptor. Nota: El gatillo no funciona cuando no se encuentra un cabezal instalado en la unidad.

BOTÓN DE SEGURIDAD DEL INTERRUPTOR DEL GATILLO Y DE MARCHA ADELANTE/ATRÁS

El botón de marcha adelante/atrás determina la dirección de funcionamiento de la herramienta y sirve también como seguro de encendido. Para seleccionar la posición de rotación hacia adelante, apriete el interruptor del gatillo y oprima el botón de control de marcha adelante/atrás, tal como se muestra en la Fig. 5. Para seleccionar la marcha atrás, oprima el botón de control de marcha en la dirección opuesta. La posición central del botón de control asegura la herramienta en la posición apagada. Nota: Cuando se trate de la lijadora y la sierra, para una mayor eficiencia utilice siempre la posición de marcha adelante.

TALADRO

Nota: Asegúrese de que el interruptor de marcha adelante/atrás se encuentre en la posición central (seguro de encendido).

PORTABROCAS SIN LLAVE

Para insertar una broca u otro accesorio:

- Tome la parte posterior del portabrocas con una mano y utilice la otra para hacer girar la parte frontal media vuelta en el sentido contrario al de las manecillas del reloj (Fig. 6).
 - Inserte totalmente la broca o el accesorio deseado en el portabrocas y apriete firmemente, sosteniendo para ello la parte posterior del portabrocas y haciendo girar la parte frontal en el sentido de las manecillas del reloj (mirando aquella desde el extremo del portabrocas).
- ⚠ **ADVERTENCIA** : No intente apretar las brocas para taladrar (o cualquier otro accesorio) agarrando la parte frontal del portabrocas y prendiendo luego la herramienta. Esto puede provocar lesiones personales y daños al portabrocas.

CONTROL DEL TORQUE

El collar de ajuste del torque que se presenta en la Fig. 5, cuenta con 24 posiciones de ajuste. Hay 23 juegos de destornilladores y un taladro, representado por el símbolo de la broca. Para atornillar o desatornillar, proceda de la siguiente manera:

Coloque el control del torque en la posición "1". Coloque y ajuste el primer tornillo. Si el embrague de su taladro empieza a patinar antes de que el tornillo esté bien asentado, gire el collar de ajuste lo necesario hasta que el embrague se deslice cuando la cabeza del tornillo se encuentre alineada con la superficie del material. Utilice este ajuste de torque para el resto de los tornillos.

CONSEJOS PARA TALADRAR

Antes de colocar o remover los accesorios de su taladro, retire las baterías. Cuando utilice un portabrocas sin llave, apriételo manualmente con firmeza.

- Utilice solamente brocas bien afiladas.

- Apoye y asegure la pieza de trabajo adecuadamente, siguiendo para ello las instrucciones de seguridad.
 - Utilice el equipo de seguridad adecuado y requerido según lo especificado en las instrucciones de seguridad.
 - Dé un mantenimiento adecuado al área de trabajo y consérvela bajo seguridad, según lo indicado en las instrucciones de seguridad.
 - Ponga en marcha el taladro muy lentamente y ejerza una leve presión hasta que la perforación tenga la suficiente profundidad, evitando así que la broca resbale.
 - Aplique una presión en línea recta en el sentido del eje de la broca. Utilice suficiente presión para que la broca "muerda" el material, pero no demasiada para evitar atascar el motor o flexionar la broca.
 - Mantenga el taladro firmemente para controlar su torsión.
 - SI SU TALADRO SE ATASCA, NO ENCIENDA Y APAGUE EL GATILLO CON EL FIN DE INTENTAR DESATASCARLO. ESTO PUEDE DAÑAR EL TALADRO.**
 - Cuando realice una perforación, disminuya el riesgo de atascamiento reduciendo para ello la presión y realizando lentamente la parte final de la perforación.
 - Mantenga el motor en funcionamiento mientras retira la broca de la perforación. Esto ayudará a reducir el riesgo de atascamiento.
 - Con excepción del hierro fundido y el latón, cuando perfore metales utilice un lubricante adecuado. Los mejores lubricantes son los aceites sulfurados y la grasa de cerdo. La grasa del tocino también puede ser utilizada.
 - Cuando utilice brocas helicoidales para perforar en madera, es necesario retirar frecuentemente los residuos que se acumulan en las ranuras de las brocas.
 - Asegúrese de que el interruptor de encendido y apagado funcione correctamente.
- ⚠ **ADVERTENCIA** : Es importante sujetar la pieza de trabajo adecuadamente y sostener la broca firmemente para prevenir la pérdida de control y evitar así lesiones personales.

SIERRA

Nota: Asegúrese de que el interruptor de marcha adelante/atrás se encuentre en la posición central (apagado y asegurado).

INSTALACIÓN DE LAS SIERRAS

Su caladora utiliza el sistema Quick Clamp™ para facilitar el rápido cambio de la sierra. Para instalar una sierra, levante la palanca del Quick Clamp™ (Fig. 7) e inserte totalmente el vástago de la sierra dentro de la abrazadera. Suelte entonces la palanca, de manera que la sierra quede firmemente sujeta en su lugar. La parte posterior de la sierra deberá quedar casi tocando la guía de apoyo del rodillo. Asegúrese de que la parte dentada de la sierra quede hacia adelante.

GUÍA DE APOYO DEL RODILLO

La guía de apoyo del rodillo de su caladora mejora su funcionamiento si al cortar algunos materiales usted ayuda a la sierra a efectuar su trabajo. La lubricación periódica de la guía del rodillo por medio de unas gotas de lubricante, ayudará a prolongar la vida del rodillo.

UTILIZACIÓN DE LA CALADORA

La caladora está equipada con un seguro de encendido. Para encenderla, presione primero el botón del seguro del interruptor, tal como se muestra en la Fig. 8, y luego el interruptor del gatillo (Fig. 4). Suelte luego el seguro del interruptor.

AJUSTE DE LA PLATINA PARA CORTES A ÁNGULO

La platina puede inclinarse a un ángulo de 45°. Para hacerlo, afloje primero los tornillos de la base de la sierra, hasta que la platina pueda moverse libremente. Coloque luego la platina nuevamente con la ranura hacia adelante y apriete el tornillo. Para colocar de nuevo la platina para realizar cortes rectos, afloje el tornillo de la abrazadera y mueva la platina de manera que el tornillo de la abrazadera se encuentre de nuevo en la parte posterior de la ranura. Apriete nuevamente el tornillo de la abrazadera.

CORTES COMUNES

Asegúrese de que el material se encuentre firmemente asegurado. No intente encender la unidad cuando la sierra se encuentre contra el material que va a ser cortado. Esto puede hacer atascar el motor. Coloque la platina sobre el material que va a ser cortado y apóyela firmemente hacia abajo contra la pieza de trabajo mientras realiza el corte. No fuerce la herramienta: deje que la hoja de la sierra corte a su propia velocidad. Si es posible, asegure la pieza de trabajo cerca de la línea de corte. Cuando haya terminado el corte, apague la herramienta y colóquela a un lado antes de desasegurar la pieza de trabajo.

CORTE DE METALES Y PLÁSTICOS

Para cortar hojas metálicas de calibres delgados, es conveniente asegurar su parte inferior a un elemento de madera o contrachapado, con el fin de realizar un corte bien trazado, evitando así la vibración y el desgarramiento del material. Utilice una hoja de sierra fina para metales ferrosos (para aquellos que contienen hierro), y una sierra ordinaria para metales no ferrosos (aquellos que no contienen hierro).

El corte de metal delgado puede tomar más tiempo que el de madera relativamente gruesa, por lo tanto no intente acelerar el proceso forzando para ello la sierra. Esparza una capa fina de lubricante a lo largo de la línea de corte (utilice para ello cualquier aceite liviano). Para cortar metales, plásticos y baldosas, utilice bajas velocidades. Cuando corte plástico laminado, coloque el lado acabado hacia abajo y utilice una sierra afilada y perforada de dientes finos.

CORTES INTERIORES

- Mida la superficie que desea cortar y haga el trazo con ayuda de un lápiz. Empuje luego la sierra hacia adelante hasta que el borde del frente de la platina se asiente firmemente sobre la superficie de la pieza de trabajo.
- Encienda la herramienta y espere que ésta alcance su máxima velocidad.
- Agarre firmemente la manija y descienda el extremo posterior de la herramienta hasta que la sierra corte el material suavemente. Asegúrese de que la sierra alcance la profundidad deseada antes de empezar el corte.

LIJADO

Nota: Asegúrese de que el interruptor de marcha adelante/atrás se encuentre en la posición central (seguro de encendido).

INSTALACIÓN DEL PAPEL DE LIJA

La lijadora utiliza hojas de papel cortadas previamente con refuerzo de nilón de un abrasivo de un tamaño específico. Para fijar el papel abrasivo, alinee el disco con la hoja abrasiva y presiónelo firmemente en su lugar.

Asegúrese de que el material abrasivo traslape uniformemente la base. Nunca utilice su lijadora sin el material abrasivo o el accesorio requerido. El abrasivo suministrado con su herramienta tiene dos puntas de repuesto. Este diseño le permite a usted intercambiar y/o girar las puntas de diamante. Para girar el extremo, retirela la hoja, gírela 180° y presiónela en la base del gancho. Nota: retire las dos puntas del repuesto del abrasivo antes de su utilización; estas pueden ser utilizadas posteriormente, cuando el diamante original de las puntas se haya desgastado.

LIJADO DE UNA CAPA DE PINTURA A BASE DE PLOMO

El lijado de una capa de pintura a base de plomo **NO ES RECOMENDABLE** debido a la dificultad de controlar la contaminación proveniente del polvo. El envenenamiento con plomo es muy peligroso en los niños y las mujeres embarazadas.

Dado que, sin un análisis químico, resulta difícil identificar si una pintura contiene o no plomo, cuando lije cualquier clase de pintura le recomendamos tomar las siguientes precauciones:

SEGURIDAD PERSONAL

- Ninguna mujer embarazada o niño deberá ingresar al área de trabajo mientras se esté lijando la pintura, ni antes de haber realizado una limpieza del lugar.
- Todas las personas que ingresen en el área de trabajo deben utilizar una máscara o un respirador para protegerse del polvo. El filtro de la máscara debe ser reemplazado diariamente, o cuando quiera que el usuario encuentre dificultades para respirar.
- Nota: Tan sólo deben ser utilizadas máscaras diseñadas para trabajo con polvo y gases provenientes de pintura a base de plomo. Las máscaras ordinarias para trabajar con pintura no ofrecen esta protección. Consulte a su proveedor local acerca de la máscara adecuada, aprobada por el NIOSH (National Institut for Occupational Safety and Health).
- Con el fin de prevenir la ingestión de partículas de pintura contaminada, **NO COMA, BEBA O FUME** en el área de trabajo. Los trabajadores deben lavarse y limpiarse **ANTES** de comer, beber o fumar. Los artículos tales como comidas, bebidas o cigarrillos no deben dejarse en el área de trabajo donde el polvo pueda depositarse sobre ellos.

SEGURIDAD AMBIENTAL

- La pintura debe ser removida de manera que se disminuya al máximo la cantidad de polvo generada.
- Las áreas donde se lleve a cabo la remoción de la pintura deben ser selladas con hojas de plástico de un espesor de 0.40 mm.

- El lijado debe ser realizado de manera que se reduzca al máximo la dispersión del polvo de pintura fuera del área de trabajo.

LIMPIEZA Y DISPOSICIÓN DE DESHECHOS

- Todas las superficies del área de trabajo deben ser aspiradas y limpiadas a fondo diariamente, a lo largo del proceso de lijado. Las bolsas de la aspiradora deben ser cambiadas con frecuencia.
- Los elementos de plástico deben ser recogidos y dispuestos junto con el polvo o la basura producidos. Estos deben ser localizados en receptáculos sellados para desechos y dispuestos según los procedimientos regulares de recolección de basuras. Durante la limpieza, los niños y las mujeres embarazadas deben mantenerse alejados del área.
- Todos los juguetes, muebles lavables y utensilios utilizados por los niños, deben ser lavados a fondo antes de ser utilizados nuevamente.

ACCESORIOS

Los accesorios recomendados para emplearse con su herramienta se encuentran a su disposición con su distribuidor local o en los centros de servicio autorizado. Si necesita ayuda en relación con los accesorios, por favor llame: **326-7100**

⚠ **ADVERTENCIA:** El uso de cualquier accesorio no recomendado para emplearse con esta herramienta puede ser peligroso.

PARA REPARACION Y SERVICIO DE SUS HERRAMIENTAS ELECTRICAS FAVOR DE DIRIGIRSE AL CENTRO DE SERVICIO MAS CERCANO

CULIACAN Av. Nicolas Bravo #1063 Sur	(91 671) 242 10
GAUDALAJARA Av. La Paz #1779	(91 3) 826 69 78.
MEXICO Eje Lázaro Cárdenas No. 18 Local D, Col. Obrera	588-9377
MERIDA Calle 63 #459-A	(91 99) 23 54 90
MONTERREY Av. Francisco I. Madero Pte. 1820-A	(91 83) 72 11 25
PUEBLA 17 Norte #205	(91 22) 46 37 14
QUERETARO Av. Madero 139 Pte.	(91 42) 14 16 60
SAN LOUIS POTOSI Pedro Moreno #100 Centro	(91 48) 14 25 67
TORREON Blvd. Independencia, 96 pte.	(91 17) 16 52 65
VERACRUZ Prolongación Diaz Miron #4280	(91 29) 21 70 16
VILLAHERMOSA Constitucion 516-A	(91 93) 12 53 17

PARA OTRAS LOCALIDADES LLAME AL: 326 7100

INFORMACIÓN DE SERVICIO

Black & Decker ofrece una red completa de centros de servicio propiedad de la compañía y franquiciados a través de toda Norteamérica. Todos los centros de servicio Black & Decker cuentan con personal capacitado para proporcionar el servicio a herramientas más eficiente y confiable.

Siempre que necesite consejo técnico, reparaciones o partes de repuesto genuinas, comuníquese con el centro Black & Decker más cercano a usted.

Para encontrar su centro de servicio local, consulte la sección amarilla bajo "Herramientas eléctricas", o llame al: **326-7100**.

EL SELLO RBRC™

El sello RBRC™ en las baterías de níquel-cadmio indica que Black & Decker participa voluntariamente en un programa industrial para recolectar y reciclar estas baterías al término de su vida útil, cuando se retiran de servicio dentro de los Estados Unidos. El programa RBRC™ proporciona una conveniente alternativa para el depósito en los lotes de basura municipales de las baterías de níquel-cadmio desgastadas, hecho que es ilegal en algunas regiones.



Los pagos de Black & Decker a RBRC™ hacen más sencillo para usted deshacerse de sus baterías desgastadas con los distribuidores de baterías de níquel-cadmio de su localidad, o en los centros de servicio autorizado Black & Decker. También puede comunicarse al centro de reciclaje de su localidad para que le informen de los lugares a los que puede regresar las baterías desgastadas. La entrada de Black & Decker a este programa es parte de su compromiso para proteger nuestro medio ambiente y conservar los recursos naturales.

GARANTÍA PARA USO DOMÉSTICO POR DOS AÑOS COMPLETOS

Black & Decker (U.S.) garantiza este producto por dos años completos contra cualquier falla originada por materiales o mano de obra defectuosos. El producto defectuoso será reemplazado o reparado sin cargo alguno en cualquiera de las siguientes dos maneras:

La primera, que resulta únicamente en cambios, es regresar el producto al vendedor al que se compró (en la suposición que es un distribuidor participante). Las devoluciones deberán hacerse dentro del tiempo estipulado por la política de cambios del distribuidor (usualmente de 30 a 90 días después de la venta). Se puede requerir prueba de compra. Por favor verifique con el vendedor las políticas específicas de devolución relacionadas a las devoluciones en tiempo posterior al estipulado para cambios.

La segunda opción es llevar o enviar el producto (con porte pagado) a los centros de servicio Black & Decker propios o autorizados, para que la reparemos o reemplacemos a nuestra opción. Se puede requerir prueba de compra. Los centros de servicio Black & Decker propios y autorizados están enlistados bajo "Herramientas eléctricas" en la sección amarilla del directorio telefónico.

Esta garantía no se aplica a los accesorios. Esta garantía le otorga derechos legales específicos, y usted puede tener otros que varíen de estado a estado. Si tiene usted cualquier pregunta, comuníquese con el gerente del centro de servicio Black & Decker más cercano. Este producto no está destinado a uso comercial.

ESPECIFICACIONES

Cargador: 120V, 60 Hz, 15W Salida: 17,4 VDC @ 210 mA

Para servicio y ventas consulte
"HERRAMIENTAS ELECTRICAS"
en la sección amarilla.



IMPORTADO: BLACK & DECKER S.A. DE C.V.
BOSQUES DE CIDROS ACCESO RADIATAS NO. 42
COL. BOSQUES DE LAS LOMAS.
05120 MÉXICO, D.F.
TEL. 3-26-71-00