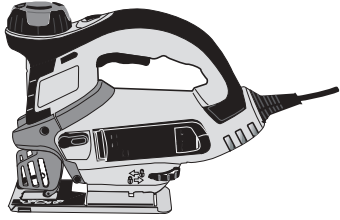




Orbital Action / Scrolling Jigsaw with AccuCut™

INSTRUCTION MANUAL

Catalog Number SP5500JS



BEFORE RETURNING THIS PRODUCT FOR ANY REASON PLEASE CALL

1-800-544-6986

IF YOU SHOULD EXPERIENCE A PROBLEM WITH YOUR BLACK & DECKER PRODUCT, CALL 1-800-544-6986

BEFORE YOU CALL, HAVE THE FOLLOWING INFORMATION AVAILABLE, CATALOG No., TYPE No., AND DATE CODE. IN MOST CASES, A **BLACK & DECKER** REPRESENTATIVE CAN RESOLVE THE PROBLEM OVER THE PHONE. IF YOU HAVE A SUGGESTION OR COMMENT, GIVE US A CALL. YOUR FEEDBACK IS VITAL TO BLACK & DECKER.

SAVE THIS MANUAL FOR FUTURE REFERENCE.

VEA EL ESPAÑOL EN LA CONTRAPORTADA.

INSTRUCTIVO DE OPERACIÓN, CENTROS DE SERVICIO Y PÓLIZA DE GARANTÍA. ADVERTENCIA:

LÉASE ESTE INSTRUCTIVO ANTES DE USAR EL PRODUCTO.

CAT. NO. SP5500JS FORM NO. 587384-02 Copyright Black & Decker © 2004 Oct. '04 Printed in China

GENERAL SAFETY RULES AND INSTRUCTIONS FOR ALL TOOLS

WARNING: Read and understand all instructions. Failure to follow all instructions listed below may result in electric shock, fire and/or serious personal injury.

SAVE THESE INSTRUCTIONS

Work Area

- **Keep your work area clean and well lit.** Cluttered benches and dark areas invite accidents.
- **Do not operate power tools in explosive atmospheres, such as in the presence of flammable liquids, gases, or dust.** Power tools create sparks which may ignite the dust or fumes.
- **Keep bystanders, children, and visitors away while operating a power tool.** Distractions can cause you to lose control.

Electrical Safety

- **Double insulated tools are equipped with a polarized plug (one blade is wider than the other.) This plug will fit in a polarized outlet only one way. If the plug does not fit fully in the outlet, reverse the plug. If it still does not fit, contact a qualified electrician to install a polarized outlet. Do not change the plug in any way.** Double Insulation eliminates the need for the three wire grounded power cord and grounded power supply system.
- **Avoid body contact with grounded surfaces such as pipes, radiators, ranges and refrigerators.** There is an increased risk of electric shock if your body is grounded.
- **Don't expose power tools to rain or wet conditions.** Water entering a power tool will increase the risk of electric shock.
- **Do not abuse the cord. Never use the cord to carry the tools or pull the plug from an outlet. Keep cord away from heat, oil, sharp edges or moving parts. Replace damaged cords immediately.** Damaged cords increase the risk of electric shock.
- **When operating a power tool outside, use an outdoor extension cord marked "W-A" or "W."** These cords are rated for outdoor use and reduce the risk of electric shock.

Personal Safety

- **Stay alert, watch what you are doing and use common sense when operating a power tool. Do not use tool while tired or under the influence of drugs, alcohol, or medication.** A moment of inattention while operating power tools may result in serious personal injury.
- **Dress properly. Do not wear loose clothing or jewelry. Contain long hair. Keep your hair, clothing, and gloves away from moving parts.** Loose clothing, jewelry, or long hair can be caught in moving parts. Air vents cover moving parts and should be avoided.
- **Avoid accidental starting. Be sure switch is off before plugging in.** Carrying tools with your finger on the switch or plugging in tools that have the switch on invites accidents.
- **Remove adjusting keys or wrenches before turning the tool on.** A wrench or key that is left attached to a rotating part of the tool may result in personal injury.
- **Do not overreach. Keep proper footing and balance at all times.** Proper footing and balance enables better control of the tool in unexpected situations.
- **Use safety equipment. Always wear eye protection.** Dust mask, non-skid safety shoes, hard hat, or hearing protection must be used for appropriate conditions.

Tool Use and Care

- **Use clamps or other practical way to secure and support the workpiece to a stable platform.** Holding the work by hand or against your body is unstable and may lead to loss of control.
- **Do not force tool. Use the correct tool for your application.** The correct tool will do the job better and safer at the rate for which it is designed.
- **Do not use tool if switch does not turn it on or off.** Any tool that cannot be controlled with the switch is dangerous and must be repaired.
- **Disconnect the plug from the power source before making any adjustments, changing accessories, or storing the tool.** Such preventative safety measures reduce the risk of starting the tool accidentally.
- **Store idle tools out of reach of children and other untrained persons.** Tools are dangerous in the hands of untrained users.
- **Maintain tools with care. Keep cutting tools sharp and clean.** Properly maintained tools, with sharp cutting edges are less likely to bind and are easier to control.
- **Check for misalignment or binding of moving parts, breakage of parts, and any other condition that may affect the tools operation. If damaged, have the tool serviced before using.** Many accidents are caused by poorly maintained tools.

- **Use only accessories that are recommended by the manufacturer for your model.** Accessories that may be suitable for one tool, may become hazardous when used on another tool.

Service

- **Tool service must be performed only by qualified repair personnel.** Service or maintenance performed by unqualified personnel could result in a risk of injury.
- **When servicing a tool, use only identical replacement parts. Follow instructions in the Maintenance section of this manual.** Use of unauthorized parts or failure to follow Maintenance Instructions may create a risk of electric shock or injury.

Specific Safety Rules

- **Hold tool by insulated gripping surfaces when performing an operation where the cutting tool may contact hidden wiring or its own cord.** Contact with a "live" wire will make exposed metal parts of the tool "live" and shock the operator.
- **Keep hands away from cutting area.** Never reach underneath the material for any reason. Hold front of saw by grasping the contoured gripping area. Do not insert fingers or thumb into the vicinity of the reciprocating blade and blade clamp. Do not stabilize the saw by gripping the shoe.
- **Keep blades sharp.** Dull blades may cause the saw to swerve or stall under pressure.
- **When cutting pipe or conduit ensure that they are free from water, electrical wiring, etc.**

WARNING: Some dust created by power sanding, sawing, grinding, drilling, and other construction activities contains chemicals known to cause cancer, birth defects or other reproductive harm. Some examples of these chemicals are:

- lead from lead-based paints,
- crystalline silica from bricks and cement and other masonry products, and
- arsenic and chromium from chemically-treated lumber (CCA).

Your risk from these exposures varies, depending on how often you do this type of work. To reduce your exposure to these chemicals: work in a well ventilated area, and work with approved safety equipment, such as those dust masks that are specially designed to filter out microscopic particles.

- **Avoid prolonged contact with dust from power sanding, sawing, grinding, drilling, and other construction activities. Wear protective clothing and wash exposed areas with soap and water.** Allowing dust to get into your mouth, eyes, or lay on the skin may promote absorption of harmful chemicals.

WARNING: Use of this tool can generate and/or disperse dust, which may cause serious and permanent respiratory or other injury. Always use NIOSH/OSHA approved respiratory protection appropriate for the dust exposure. Direct particles away from face and body.

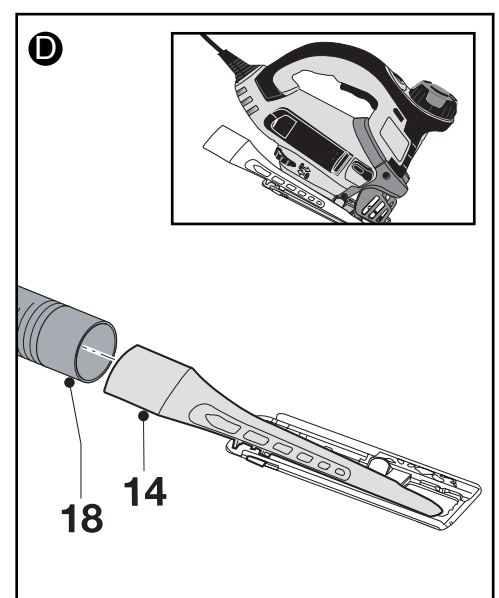
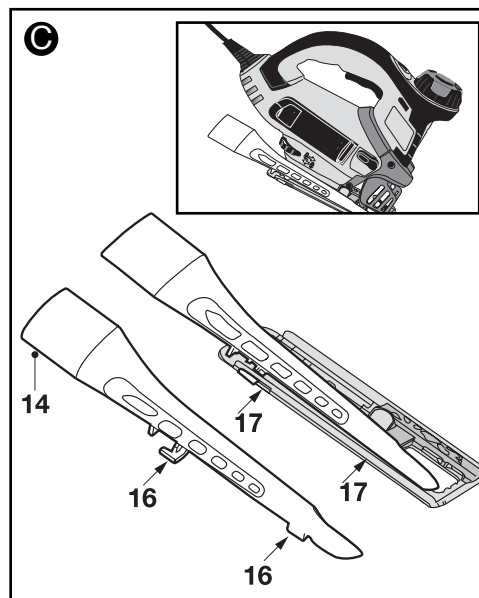
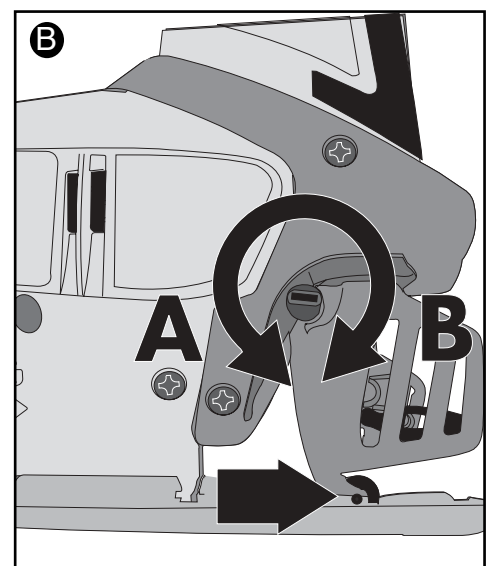
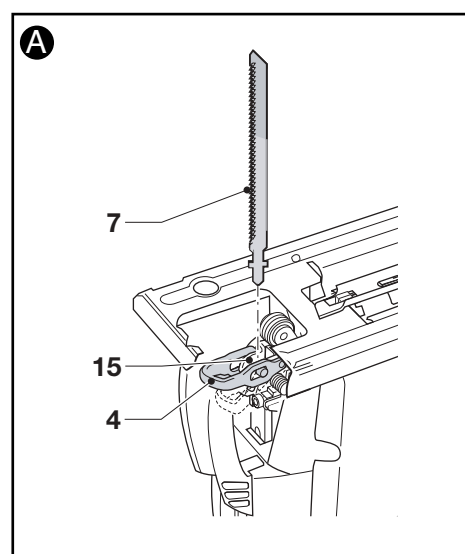
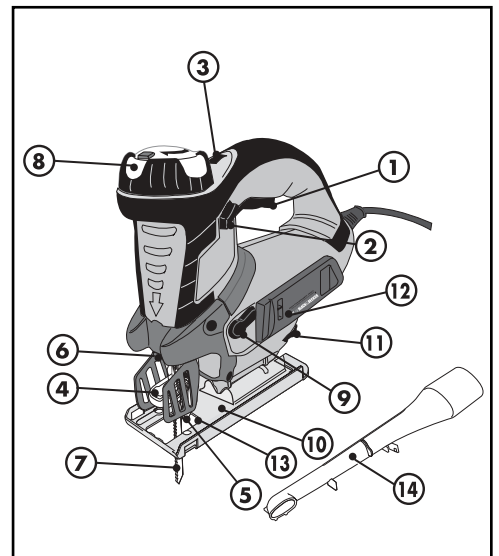
CAUTION: Wear appropriate hearing protection during use. Under some conditions and duration of use, noise from this product may contribute to hearing loss.

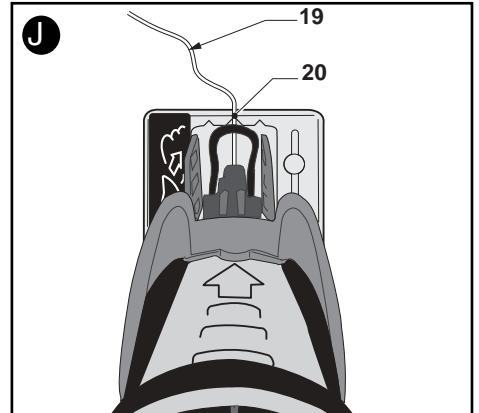
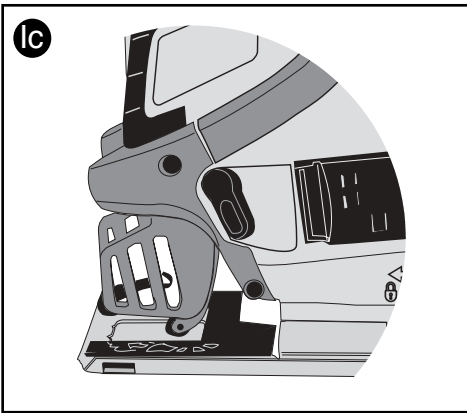
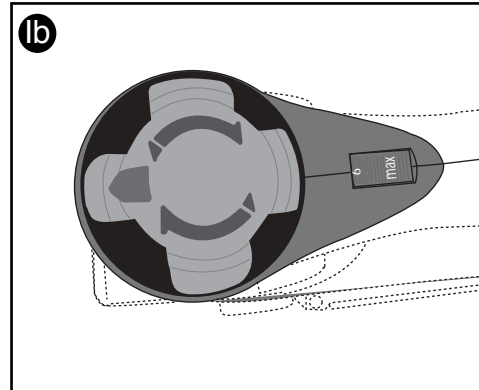
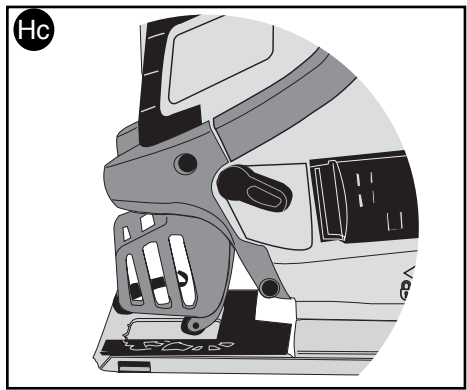
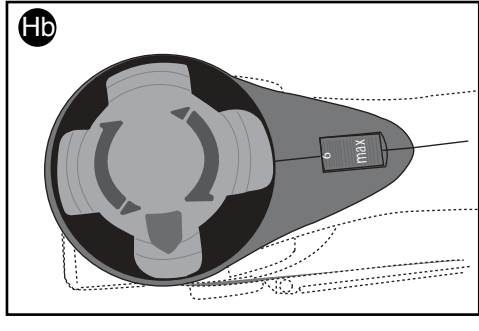
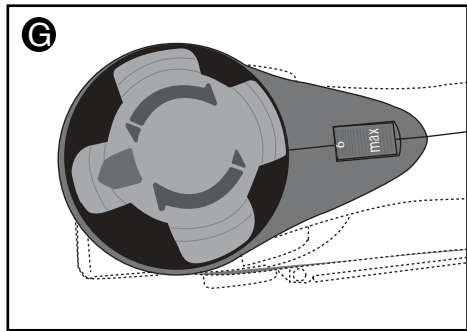
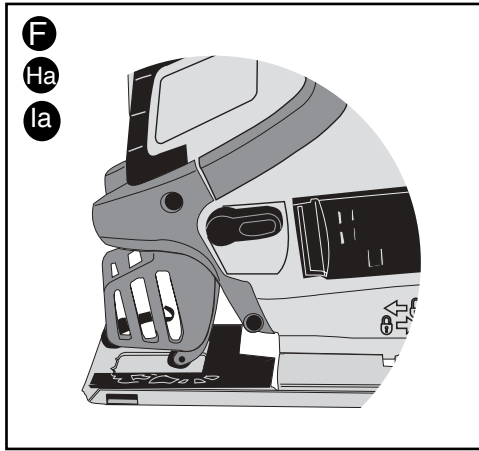
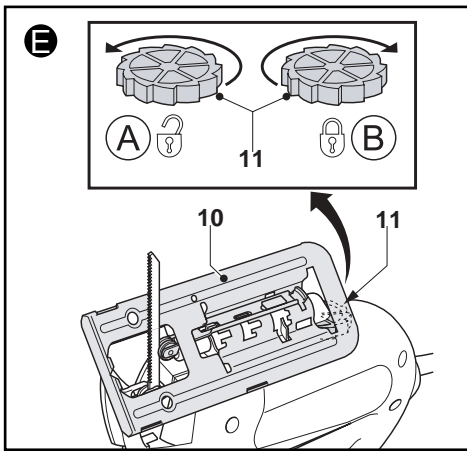
The label on your tool may include the following symbols.

V.....volts	Aamperes
Hz.....hertz	W.....watts
minminutes	~ alternating current
— — —direct current	n _ono load speed
□Class II Construction	⊕earthing terminal
⚠safety alert symbol	.../minrevolutions or reciprocations per minute

Features - SP5500JS

1. On/Off switch
2. Lock-on button
3. Variable Speed control knob
4. Saw blade locking lever
5. AccuCut™ saw blade support roller
6. Support roller adjustment screw
7. Saw blade
8. Scroller knob
9. Mode selector
10. Shoe plate
11. Shoe plate locking knob
12. Saw blade storage compartment
13. Dust blower
14. Dust extraction adaptor





Operation

⚠ WARNING: Laceration Hazard. To prevent loss of control, never use the tool when the saw shoe is loose or removed. Failure to do this could result in serious personal injury.

Adjusting the shoe plate for bevel cuts (fig. E)

The shoe plate can be set to a left or right bevel angle of up to 45°.

- Turn the locking knob (11) in direction **A** to release the shoe plate (10).
- Pull the shoe plate (10) backwards and set it to the required angle. You can use the scale or a protractor to check the angle.
- Turn the locking knob (11) in direction **B** to lock the shoe plate in place.

To reset the shoe plate for straight cuts:

- Turn the locking knob (11) in direction **A** to release the shoe plate (10).
- Pull the shoe plate backwards and set it to an angle of approximately 0°.
- Push the shoe plate forward.
- Turn the locking knob (11) in direction **B** to lock the shoe plate in place. Make sure that the shoe plate is supported by the guide ribs.

Variable speed control

- Set the variable speed control knob (3) to the required speed range. Use a high speed for wood, medium speed for aluminum and PVC and low speed for metals other than aluminum.

Switching On and Off

- To switch the tool on, press the on/off switch (1).
- For continuous operation, press the lock-on button (2) and release the on/off switch.
- To switch the tool off, release the on/off switch. To switch the tool off, when in continuous operation, press the on/off switch once more and release it.

Using the mode selector

The mode selector (9) can set in 3 positions

1. Scrolling position (**figs F and G**) - this position allows the scroller knob (8) to be rotated for intricate and accurate sawing. (In this position there is no orbital action.) It is recommended to use scroller blades when in this mode.
2. Straight cutting position (**figs Ha, Hb and Hc**) this position turns off orbital action and locks the scroller knob to prevent its rotation. The scroller knob can be locked in any of 4 positions for straight cutting.

Method of engagement:

- a. Turn the Mode Selector to the scrolling position.
 - b. Rotate the scroller knob to the desired position (this can be any of 4 positions - the blade can point forwards, reverse, left or right).
 - c. Turn the Mode Selector to the neutral position. (In this position the Scroller Knob cannot be turned).
3. Orbital Action Position (**figs Ia, Ib and Ic**) - this position switches on the orbital action for fast and efficient straight cuts. This mode can only be selected with the blade pointing forwards.

Method of engagement:

- a. Turn the mode selector to the scrolling position.
- b. Rotate the scroller knob to point the blade forwards.
- c. Turn the Mode Selector to the orbital position. (In this position the Scroller Knob cannot be turned).

How to Use the Sightline® Feature (fig. J)

- Use a pencil to mark the cutting line.
 - Position the jigsaw over the line (19).
- Viewing from directly above the jigsaw the line of cut can be easily followed. Should this view be restricted for any reason, the indent (20) can be used as an alternate cutting guide.

Hints for Optimum Use

General

- Use a high speed for wood, a medium speed for aluminum and PVC and a low speed for metals other than aluminum.

Sawing laminates

As the saw blade cuts on the upward stroke, splintering may occur on the surface closest to the shoe plate.

- Use a fine-tooth saw blade.
- Saw from the back surface of the workpiece.
- To minimize splintering, clamp a piece of scrap wood or hardboard to both sides of the workpiece and saw through this sandwich.

Sawing metal

- Be aware that sawing metal takes much more time than sawing wood.
- Use a saw blade suitable for sawing metal.
- When cutting thin metal, clamp a piece of scrap wood to the back surface of the workpiece and cut through this sandwich.
- Spread a film of oil along the intended line of cut.

⚠ WARNING: Fire Hazard. Do not use vacuum adapter when cutting metal. Metal filings will be hot and could cause a fire in the vacuum container.

Maintenance

Use only mild soap and damp cloth to clean the tool. Never let any liquid get inside the tool; never immerse any part of the tool into a liquid.

IMPORTANT: To assure product SAFETY and RELIABILITY, repairs, maintenance and adjustment should be performed by authorized service centers or other qualified service personnel, always using identical replacement parts.

Accessories

Recommended accessories for use with your tool are available from your local dealer or authorized service center. If you need assistance regarding accessories, please call:

1-800-544-6986.

⚠ WARNING: The use of any accessory not recommended for use with this tool could be hazardous.

Service Information

Black & Decker offers a full network of company-owned and authorized service locations throughout North America. All Black & Decker Service Centers are staffed with trained personnel to provide customers with efficient and reliable power tool service. Whether you need technical advice, repair, or genuine factory replacement parts, contact the Black & Decker location nearest you. To find your local service location, refer to the yellow page directory under "Tools—Electric" or call: **1-800-544-6986.**

Full Two-Year Home Use Warranty

Black & Decker (U.S.) Inc. warrants this product for two years against any defects in material or workmanship. The defective product will be replaced or repaired at no charge in either of two ways. The first, which will result in exchanges only, is to return the product to the retailer from whom it was purchased (provided that the store is a participating retailer). Returns should be made within the time period of the retailer's policy for exchanges (usually 30 to 90 days after the sale). Proof of purchase may be required. Please check with the retailer for their specific return policy regarding returns that are beyond the time set for exchanges.

The second option is to take or send the product (prepaid) to a Black & Decker owned or authorized Service Center for repair or replacement at our option. Proof of purchase may be required. Black & Decker owned and authorized Service Centers are listed under "Tools—Electric" in the yellow pages of the phone directory.

This warranty does not apply to accessories. This warranty gives you specific legal rights and you may have other rights which vary from state to state. Should you have any questions, contact the manager of your nearest Black & Decker Service Center. This product is not intended for commercial use.

Free Warning Label Replacement: If your warning labels become illegible or are missing, call 1-800-544-6986 for a free replacement.

Special WARRANTY Note to Contractors:

SPITFIRE™ branded products are offered as high end consumer home use tools and carry a home use warranty. These tools are designed, manufactured and tested to meet or exceed the needs of the do-it-yourselfer in the execution of projects and repairs in and around the home. With proper use they will provide the home owner with step up power and performance well beyond their two year warranty. However, if you use tools for a living and use SPITFIRE™ branded products or any of Black & Decker's other Consumer Home Use tools on the jobsite you should know that they cannot be covered under our warranty.

Use of Extension Cords

Make sure the extension cord is in good condition before using. Always use the proper size extension cords with the tool – that is, proper wire size for various lengths of cord and heavy enough to carry the current the tool will draw. Use of an undersized cord will cause a drop in line voltage resulting in loss of power and overheating. For proper size cords see chart.

Volts	Minimum Gage for Cord Sets			
	Total Length of Cord in Feet			
120V	0-25	26-50	51-100	101-150
240V	0-50	51-100	101-200	201-300
Ampere Rating		American Wire Gage		
More Than	Not more Than			
0 - 6	18	16	16	14
6 - 10	18	16	14	12
10 - 12	16	16	14	12
12 - 16	14	12	Not Recommended	

Motor

Be sure your power supply agrees with nameplate marking. 120 Volts AC only means your tool will operate on standard 60 Hz household power. Do not operate AC tools on DC. A rating of 120 volts AC/DC means that you tool will operate on standard 60 Hz AC or DC power. This information is printed on the nameplate. Lower voltage will cause loss of power and can result in over-heating. All Black & Decker tools are factory-tested; if this tool does not operate, check the power supply.

SAVE THESE INSTRUCTIONS

Assembly

⚠ WARNING: Sharp blade. To prevent accidental operation, turn off and unplug saw before performing the following operations. Failure to do this could result in serious personal injury.

Fitting the saw blade (fig. A)

- Hold the saw blade (7) as shown, with teeth facing forward.
- Push the lever (4) downwards.
- Insert the shank of the saw blade into the blade holder (15) as far as it will go.
- Release the lever.
- Adjust the blade support roller as described below.

AccuCut™ blade support roller (fig. B)

After fitting the blade, you need to adjust the blade support roller (5).

Screwdriver Method

- Turn the slotted blade support adjustment screw (6) in direction A.
- Slide the blade support roller against the rear of the blade. The blade must locate in the central recess of the roller.
- Turn the blade support adjustment screw in direction B to lock the blade support in place.

Tool Free Method

- The blade support roller can be adjusted in a "tool free" manner, by turning the scroll ing knob (8) so that the adjustment screw is rotated around to the front of the unit where it can be turned by hand.

Connecting a vacuum cleaner to the tool (fig. C & D)

- Align the dust extraction adaptor (14) with the saw shoe as shown.
- Insert the ribs (16) into the slots (17).
- Pull the adaptor towards the rear of the jigsaw to secure.
- Connect the vacuum cleaner hose (18) (not supplied) to the adaptor.
- **Dust extraction is not possible when making bevel cuts.**

⚠ WARNING: Fire Hazard. Do not use vacuum adapter when cutting metal. Metal filings will be hot and could cause a fire in the vacuum container.

Imported by
Black & Decker (U.S.) Inc.,
701 E. Joppa Rd.
Towson, MD 21286 U.S.A.



See 'Tools-Electric'
- Yellow Pages -
for Service & Sales



SCIE SAUTEUSE À DÉCOUPER À VITESSE VARIABLE

GUIDE D'UTILISATION

NO DE CAT. SP5500JS

AVANT DE RETOURNER LE PRODUIT
POUR QUELQUE RAISON QUE CE SOIT,
COMPOSER LE

1 800 544-6986

⚠ RÈGLES ET CONSIGNES DE SÉCURITÉ CONCERNANT TOUS LES OUTILS - GÉNÉRALITÉS

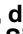
⚠ **AVERTISSEMENT** : Lire, comprendre et suivre toutes les directives précisées ci-dessous, y compris les consignes de sécurité, afin d'éviter les risques de choc électrique, d'incendie ou de blessure grave.

CONSERVER LE PRÉSENT GUIDE À TITRE DE RÉFÉRENCE

Aire de travail

- L'aire de travail doit être propre et bien éclairée. Les établis encombrés et les endroits sombres peuvent entraîner des accidents.
- Ne pas faire fonctionner des outils électriques dans des atmosphères explosives, comme en présence de liquides, de gaz et de poussières inflammables. Les outils électriques produisent des étincelles qui peuvent enflammer la poussière ou les vapeurs.
- Tenir les enfants, les visiteurs ou toute autre personne à l'écart lorsqu'on utilise un outil électrique; les distractions peuvent faire perdre la maîtrise de ce dernier.

Mesures de sécurité – Électricité

- Les outils à double isolation sont munis d'une fiche polarisée (c'est-à-dire que l'une des lames est plus large que l'autre), laquelle ne peut être raccordée qu'à une prise polarisée et ce, dans un seul sens; on doit l'inverser si on est incapable de l'enfoncer complètement. Si la fiche ne s'adapte toujours pas, on doit faire appel à un électricien qualifié pour qu'il installe la prise appropriée. On ne doit jamais modifier la fiche. La double isolation  élimine le besoin d'installer un cordon d'alimentation trifilaire et un système d'alimentation électrique pourvus d'une mise à la terre.
- Éviter tout contact entre le corps et les éléments mis à la terre, comme les tuyaux, les radiateurs, les cuisinières et les réfrigérateurs, afin de réduire les risques de choc électrique.
- Ne pas utiliser l'outil électrique dans des endroits mouillés, ni l'exposer à la pluie; l'infiltration d'eau à l'intérieur de l'outil augmente les risques de choc électrique.
- Ne pas utiliser le cordon de manière abusive; on ne doit pas transporter l'outil en le tenant par le cordon, ou utiliser ce dernier pour le débrancher. On doit tenir le cordon à l'écart des sources de chaleur, de l'huile, des bords tranchants ou des pièces mobiles. Remplacer immédiatement les cordons endommagés, car ces derniers augmentent les risques de choc électrique.
- Lorsqu'on utilise un outil électrique à l'extérieur, on ne doit utiliser que des rallonges conçues pour cet usage, comme celles de type W-A ou W, afin de réduire les risques de choc électrique.

Sécurité personnelle

- Rester vigilant en tout temps et faire preuve de jugement lorsqu'on utilise un outil électrique; ne pas utiliser l'outil lorsqu'on est fatigué ou sous l'influence de drogues, d'alcool ou de médicaments, car un moment d'inattention pourrait entraîner des blessures graves.
- Porter des vêtements appropriés. Ne pas porter des vêtements amples ou des bijoux. Couvrir ou attacher les cheveux longs. Garder les cheveux, les vêtements, les bijoux et les gants éloignés des pièces mobiles, car ceux-ci peuvent s'y coincer. Se tenir éloigné des événements puisque ces derniers pourraient camoufler des pièces mobiles.
- Éviter les démarrages accidentels; s'assurer que l'interrupteur est en position d'arrêt avant de brancher l'outil. Ne pas transporter l'outil en laissant le doigt sur l'interrupteur ni le brancher lorsque l'interrupteur est en position de marche, car cela pourrait causer un accident.
- Retirer les clés de réglage avant de démarrer l'outil. Une clé laissée sur une pièce rotative pourrait entraîner des blessures.
- Ne pas trop étendre les bras; les pieds doivent rester ancrés fermement au sol afin de maintenir son équilibre en tout temps et de mieux maîtriser l'outil dans des situations imprévues.
- Utiliser le matériel de sécurité approprié; toujours porter des lunettes de protection. Porter un masque anti-poussières, des chaussures antidérapantes, un casque de sécurité ou des protecteurs auditifs lorsque la situation le requiert.

Utilisation et entretien de l'outil

- Fixer et soutenir la pièce sur une plate-forme stable au moyen d'une bride de serrage ou de tout autre dispositif semblable. La pièce est instable lorsqu'on la retient manuellement ou qu'on l'appuie contre le corps, ce qui pourrait faire perdre la maîtrise de l'outil.
- Ne pas forcer l'outil ni l'utiliser pour des travaux autres que ceux pour lesquels il a été conçu. Pour obtenir de meilleurs résultats et prévenir les risques de blessure, laisser l'outil couper à la vitesse pour laquelle il a été conçu.
- Ne pas utiliser l'outil lorsque l'interrupteur marche-arrêt ne fonctionne pas. Tout outil qui ne peut être commandé au moyen de l'interrupteur est dangereux et doit être réparé.
- Débrancher l'outil de la source d'alimentation électrique avant d'effectuer un réglage, de changer les accessoires ou de ranger l'outil; ces mesures de sécurité préventives réduisent les risques de démarrage accidentel.
- Lorsqu'on n'utilise pas l'outil, le ranger hors de la portée des enfants ou des personnes non qualifiées. Les outils sont dangereux entre les mains de personnes inexpérimentées.
- Bien entretenir l'outil; s'assurer qu'il est toujours bien propre et aiguisé. Les outils bien entretenus et dont les bords sont bien tranchants sont moins susceptibles de rester coincés et sont plus faciles à maîtriser.
- Vérifier les pièces mobiles afin de s'assurer qu'elles sont bien alignées et qu'elles ne restent pas coincées. Vérifier également les pièces afin de s'assurer qu'il n'y a aucun bris ni aucune autre condition susceptible de nuire au bon fonctionnement de l'outil. Faire réparer l'outil si ce dernier est endommagé avant de s'en servir à nouveau, car les accidents sont souvent causés par des outils mal entretenus.
- N'utiliser que les accessoires recommandés par le fabricant pour le modèle concerné. Un accessoire destiné à un outil particulier peut devenir dangereux lorsqu'il est utilisé avec un autre.

Entretien

- L'outil doit être entretenu par le personnel qualifié seulement; toute maintenance effectuée par une personne non qualifiée pourrait entraîner des risques de blessure.
- Lors de l'entretien, n'utiliser que des pièces de rechange identiques et suivre les directives précisées à la section « Entretien » du présent guide afin de prévenir les risques de choc électrique ou de blessure.


Consignes de sécurité particulières

- Tenir l'outil par les surfaces isolées prévues à cette fin lorsqu'il risque d'entrer en contact avec des fils cachés ou son propre cordon, car de tels contacts peuvent mettre les pièces métalliques de l'outil sous tension, engendrant des risques de choc électrique.
- Garder les mains éloignées des zones de coupe. Ne pas mettre les mains sous la pièce pour quelque raison que ce soit. Saisir la section profilée à l'avant de l'outil. Ne pas mettre les doigts ou le pouce près de la lame à va-et-vient ni de sa bride de serrage. Ne pas stabiliser la scie en saisissant le patin.
- Maintenir les lames bien aiguisées en tout temps; les lames usées peuvent faire dévier la scie ou faire caler le moteur lorsqu'on exerce une pression sur l'outil.
- Lorsqu'on coupe des tuyaux ou des conduits, on doit s'assurer qu'ils ne renferment pas d'eau ni de fil électrique, etc.
- ⚠ **AVERTISSEMENT** : Certains outils électriques, tels que les sableuses, les scies, les meules, les perceuses ou certains autres outils de construction, peuvent produire de la poussière contenant des produits chimiques susceptibles d'entraîner le cancer, des malformations congénitales ou pouvant être nocifs pour le système reproductif. Parmi ces produits chimiques, on retrouve :
 - le plomb dans les peintures à base de plomb,
 - la silice cristalline dans les briques et le ciment et autres produits de maçonnerie,
 - l'arsenic et le chrome dans le bois de sciage ayant subi un traitement chimique (comme l'arséniat de cuivre et de chrome).

Le risque associé à de telles expositions varie selon la fréquence avec laquelle on effectue ces travaux. Pour réduire l'exposition à de tels produits, il faut travailler dans un endroit bien aéré et utiliser le matériel de sécurité approprié, tel un masque anti-poussières spécialement conçu pour filtrer les particules microscopiques.

- Éviter tout contact prolongé avec la poussière soulevée par cet outil ou autres outils électriques. Porter des vêtements de protection et nettoyer les parties exposées du corps à l'eau savonneuse. S'assurer de bien se protéger afin d'éviter d'absorber par la bouche, les yeux ou la peau des produits chimiques nocifs.
- ⚠ **AVERTISSEMENT** : Cet outil peut produire et répandre de la poussière susceptible de causer des dommages sérieux et permanents au système respiratoire. Toujours utiliser un appareil respiratoire anti-poussières approprié approuvé par le NIOSH ou l'OSHA. Diriger les particules dans le sens opposé du visage et du corps.
- ⚠ **MISE EN GARDE** : Porter un appareil de protection personnel anti-bruit approprié durant l'utilisation. Sous certaines conditions et pendant toute la durée de l'utilisation, le bruit émanant de ce produit pourrait contribuer à la perte d'audition.

L'étiquette apposée sur l'outil peut afficher les symboles suivants.

V	volts	A	ampères
Hz	hertz	W	watts
min	minutes	~	courant alternatif
====	courant continu	No	aucune option à vide
	construction de classe II	⊕	borne de terre
⚠	symbole d'avertissement	.../min.....	tours ou mouvements alternatifs par minute

Composants - SP5500JS

- | | |
|--|--|
| 1. Interrupteur marche-arrêt | 8. Bouton de détourage |
| 2. Bouton de verrouillage en position de marche | 9. Sélecteur du mode de fonctionnement |
| 3. Bouton de réglage de la vitesse variable | 10. Plaque du patin |
| 4. Levier de verrouillage de la lame de scie | 11. Bouton de verrouillage de la plaque du patin |
| 5. Galet de support de la lame de scie | 12. Boîtier de rangement de la lame de scie |
| 6. Vis de réglage du galet de support de la lame de scie | 13. Chasse-sciure |
| 7. Lame de scie | 14. Adaptateur du tube d'aspiration |

Rallonges

Le cas échéant, s'assurer que la rallonge est en bon état avant de l'utiliser. Toujours utiliser une rallonge qui convient à l'outil, c'est-à-dire dont le calibre des fils, la longueur du cordon et les valeurs nominales correspondent à l'outil alimenté. L'usage d'une rallonge de calibre insuffisant pourrait causer une chute de tension entraînant une perte de puissance et une surchauffe. Pour s'assurer qu'on utilise le calibre approprié, consulter le tableau ci-dessous.

Tension	Calibre minimal recommandé des rallonges				
	Longueur totale de la rallonge en mètres				
120V	De 0 à 7,6	De 7,6 à 15,2	De 15,2 à 30,4	De 30,4 à 45,7	
240V	De 0 à 15,2	De 15,2 à 30,4	De 30,4 à 60,9	De 60,9 à 91,4	
Intensité (A)	Calibre moyen de fil (AWG)				
	Au moins	Au plus			
0	- 6	18	16	16	14
6	- 10	18	16	14	12
10	- 12	16	16	14	12
12	- 16	14	12	Non recommandé	

Moteur

S'assurer que l'intensité nominale du cordon d'alimentation correspond à celle indiquée sur la plaque signalétique; sur cette dernière, la mention «120 V c.a.» signifie que la perceuse ne doit être branchée que dans une prise résidentielle standard de courant alternatif de 60 Hz et non pas dans une prise de courant continu, alors que «120 V c.a. / c.c.» signifie que l'outil peut fonctionner sur une prise standard de 60 Hz de courant alternatif ou continu. Ces renseignements sont indiqués sur la plaque signalétique. Une tension inférieure à celle indiquée pourrait entraîner une perte de puissance et une surchauffe. Tous les outils Black & Decker sont soumis à des essais en usine; si cet outil ne fonctionne pas, on doit d'abord vérifier l'intensité nominale du cordon d'alimentation.

CONSERVER CES DIRECTIVES

Assemblage

⚠ **AVERTISSEMENT** : Lame acérée. Pour prévenir tout accident, arrêter et débrancher l'outil avant d'effectuer les opérations suivantes. Tout manquement à cette règle pose des risques de blessure grave.

INSTALLATION DE LA LAME (FIG. A)

- Tenir la lame (7) tel qu'illustré, en s'assurant que les dents sont dirigées vers l'avant.
- Pousser le levier (4) vers le bas.
- Insérer la tige de la lame de scie dans le porte-lame (15), aussi loin que possible.
- Relâcher le levier.
- Régler le galet de support de la lame (voir l'article ci-dessous).

RÉGLAGE DU GALET DE SUPPORT DE LA LAME (FIG. B)

- Une fois la lame installée, on doit régler le galet de support de la lame (5).
- Tourner la vis de réglage du support de la lame de scie (6) vers la direction A.
- Glisser le galet de support de la lame contre la partie arrière de la lame, de manière à ce que celle-ci repose dans la section creuse au centre du galet.
- Tourner la vis de réglage du support de la lame de scie vers la direction B afin de verrouiller fermement le support.

INSTALLATION D'UN ASPIRATEUR SUR L'OUTIL (FIG. C ET D)

- Aligner l'adaptateur du tube d'aspiration (14) avec le patin de la scie, tel qu'illustré.
- Introduire les nervures (16) dans les fentes (17).
- Tirer l'adaptateur vers l'arrière de la scie sauteuse afin de bien l'enclencher.
- Raccorder le tube d'aspiration (18) (non fourni) à l'adaptateur.
- Le système de dépoussiérage ne fonctionne pas lorsqu'on effectue des coupes en biseau.

⚠ **AVERTISSEMENT** : Risques d'incendie. Ne pas utiliser l'aspirateur lors de la coupe du métal. Les débris métalliques seront chauds et risquent de déclencher un feu dans le réceptacle de l'aspirateur.

Utilisation

⚠ **AVERTISSEMENT** : Risques de lacération. Pour éviter de perdre son contrôle, ne jamais utiliser la scie sans le patin ou lorsque ce dernier est desserré. Tout manquement à cette règle augmente les risques de blessure grave.

Réglage de la plaque du patin en vue de réaliser une coupe en biseau (fig. E)

La plaque du patin peut être réglée pour une coupe en biseau à gauche ou à droite allant jusqu'à 45°.

- Tourner le bouton de verrouillage (11) vers la direction A afin de relâcher la plaque du patin (10).
- Tirer la plaque du patin (10) vers l'arrière et la régler à l'angle voulu. Vérifier l'angle au moyen de l'échelle ou d'un rapporteur d'angle.
- Tourner le bouton de verrouillage (11) vers la direction B afin de verrouiller solidement la plaque du patin.

Pour remettre la plaque du patin dans sa position initiale en vue de réaliser une coupe droite :

- Tourner le bouton de verrouillage (11) vers la direction A afin de relâcher la plaque du patin (10).
- Tirer la plaque du patin vers l'arrière et la régler à un angle d'environ 0°.
- Pousser la plaque du patin vers l'avant.
- Tourner le bouton de verrouillage (11) vers la direction B afin de verrouiller solidement la plaque du patin, en s'assurant qu'elle est bien soutenue par les nervures de guidage.

Bouton de réglage de la vitesse variable

Régler le bouton de réglage de la vitesse variable (3) à la plage de vitesse requise. Utiliser la vitesse élevée pour le bois, la vitesse moyenne pour l'aluminium et le PVC et la basse vitesse pour les métaux, sauf l'aluminium.

Mise en marche et arrêt de l'outil

- Pour mettre l'outil en marche, enfoncer l'interrupteur de marche-arrêt (1). La vitesse varie selon la pression qu'on exerce sur l'interrupteur.
- Pour un fonctionnement continu, enfoncer le bouton de verrouillage en position de marche (2) et relâcher l'interrupteur à vitesse variable. Cette option n'est possible qu'en vitesse maximale.

-Pour arrêter l’outil, relâcher l’interrupteur à vitesse variable. Pour arrêter l’outil en mode de fonctionnement continu, appuyer de nouveau sur l’interrupteur à vitesse variable, puis le relâcher.

Utilisation du sélecteur de mode de fonctionnement

Le sélecteur de mode de fonctionnement (9) peut être réglé selon trois positions

- Position de détourage (**figures F et G**) – Cette position permet de tourner le bouton de détourage (8) afin d’effectuer des coupes compliquées et précises. (Il n’y a aucun mouvement orbital dans cette position.)

On recommande d’utiliser les lames de détourage dans ce mode de fonctionnement.

- Position de coupe droite (**figures Ha, Hb et Hc**) - Cette position permet d’arrêter le mouvement orbital de la scie et de verrouiller le bouton de détourage afin de l’empêcher de tourner. On peut verrouiller le bouton dans une des quatre positions afin de réaliser une coupe droite.

Méthode de fonctionnement :

- Tourner le sélecteur de mode de fonctionnement jusqu’à la position de détourage.
 - Tourner le bouton de détourage jusqu’à la position voulue (n’importe laquelle des quatre positions, puisque la lame peut pointer vers l’avant, l’arrière, la gauche ou la droite).
 - Tourner le sélecteur de mode de fonctionnement jusqu’à la position neutre (il est impossible de tourner le bouton de détourage dans cette position).
- Position à mouvement orbital (**figures Ia, Ib et Ic**) - Cette position permet la commutation du mouvement orbital en vue d’effectuer des coupes droites rapides et efficaces. Ce mode ne peut être choisi que lorsque la lame pointe vers l’avant.

Méthode de fonctionnement :

- Tourner le sélecteur de mode de fonctionnement jusqu’à la position de détourage.
- Tourner le bouton de détourage afin de pointer la lame vers l’avant.
- Tourner le sélecteur de mode de fonctionnement jusqu’à la position orbitale (il est impossible de tourner le bouton de détourage dans cette position).

Utilisation du dispositif Sightline® (Fig. J)

-Marquer la ligne de coupe au moyen d’un crayon.

-Positionner la scie sur la ligne de coupe (19).

Vue directement du haut de la scie, la ligne de coupe est facile à suivre. Si celle-ci n’est pas bien visible, pour quelque raison que ce soit, on peut utiliser l’encoche (20) comme guide de coupe, le cas échéant.

Conseils pratiques pour un usage optimal

Généralités

-Utiliser la vitesse élevée pour le bois, la vitesse moyenne pour l’aluminium et le PVC et la basse vitesse pour les métaux, sauf l’aluminium.

Coupe de lamellés

Lorsqu’on remonte la scie, on peut engendrer des éclats de bois sur la surface la plus près de la plaque du patin.

-Utiliser une lame à dents fines.

-Effectuer la coupe à partir de la surface arrière de la pièce.

-Afin de réduire au minimum les éclats de bois, fixer une retaille de bois ou un panneau dur de chaque côté de la pièce et couper à travers les trois pièces.

Coupe du métal

-Il ne faut pas oublier que la durée de coupe du métal est beaucoup plus longue que celle du bois.

-Utiliser une lame conçue pour la coupe du métal.

-Pour réaliser la coupe d’une tôle mince, fixer une retaille de bois à l’arrière de la pièce et couper à travers les deux pièces.

-Appliquer une mince couche d’huile le long de la ligne de coupe prévue.

⚠AVERTISSEMENT : Risques d’incendie. Ne pas utiliser l’aspirateur lors de la coupe du métal. Les débris métalliques seront chauds et risquent de déclencher un feu dans le réceptacle de l’aspirateur.

Entretien

Nettoyer l’outil seulement au moyen d’un linge humide et d’un savon doux. Ne jamais laisser de liquide s’infiltrer à l’intérieur de l’outil; ne jamais immerger ce dernier dans quelque liquide que ce soit.

IMPORTANT : Pour assurer la SÉCURITÉ et la FIABILITÉ de ce produit, toutes les opérations de réparation, d’entretien et de réglage doivent être effectuées dans un centre de service autorisé ou par du personnel qualifié; on ne doit utiliser que des pièces de rechange identiques.

Accessoires

Les accessoires recommandés pour cet outil sont vendus séparément chez les dépositaires locaux ou aux centres de service autorisés. Pour obtenir plus d’information sur les accessoires, composer le : **1 800 544-6986 (1-800-54-HOW-TO)**.

⚠ AVERTISSEMENT : L’usage d’un accessoire non recommandé avec cet outil peut présenter un danger.

Information sur les services

Black & Decker dispose d’un réseau complet composé de centres de service et de centres autorisés situés partout en Amérique du Nord. Tous les centres de service Black & Decker sont dotés de personnel qualifié en matière d’outillage électrique; ils sont donc en mesure d’offrir à leur clientèle un service efficace et fiable. Pour obtenir un conseil technique ou une pièce d’origine ou pour faire réparer un outil, on peut communiquer avec le centre Black & Decker le plus près. Pour obtenir le numéro de téléphone, consulter les pages jaunes sous la rubrique "Outils - électriques" ou composer le **1 800 544-6986 (1-800-54-HOW-TO)**.

Garantie complète de deux ans pour usage résidentiel

Black & Decker (U.S.) Inc. garantit ce produit pour une période de deux ans contre tout défaut de matériel ou de fabrication. Le produit défectueux sera remplacé ou réparé sans frais, suivant l’une des deux méthodes suivantes.

La première méthode consiste en un échange seulement. On doit retourner le produit au détaillant qui l’a vendu (pourvu qu’il s’agisse d’un détaillant participant), en respectant les délais stipulés dans sa politique relative aux échanges (normalement de 30 à 90 jours après la vente). Une preuve d’achat peut être requise. On doit vérifier la politique de retour du détaillant pour tout produit retourné après le délai prescrit pour les échanges.

La deuxième méthode consiste à apporter ou à envoyer le produit (prépayé) à un centre Black & Decker ou à un centre de service autorisé aux fins de réparation ou de remplacement, selon notre choix. Une preuve d’achat peut être requise. Les centres Black & Decker et les centres de service autorisés sont répertoriés dans les pages jaunes sous la rubrique «Outils - électriques».

Cette garantie ne s’applique pas aux accessoires. Elle confère des droits légaux particuliers à l’acheteur, mais celui-ci pourrait aussi bénéficier d’autres droits variant d’un territoire à l’autre.

Toute question doit être adressée au gérant du centre Black & Decker le plus près.

Ce produit n’est pas destiné à un usage commercial.

REPLACEMENT GRATUIT DE L’ÉTIQUETTE D’AVERTISSEMENT : En cas de perte ou d’endommagement des étiquettes d’avertissement, composer le **1 800 544-6986** afin d’en obtenir de nouvelles sans frais.

Remarque à l’intention des entrepreneurs concernant la garantie spéciale

Les produits de marque SPITFIRE^{MC} sont des outils hauts de gamme destinés aux consommateurs et comportent une GARANTIE POUR USAGE RÉSIDENTIEL. Ces outils sont conçus, fabriqués et mis à l’essai en vue de répondre aux besoins du bricoleur, ou de es dépasser, lorsque ce dernier réalise des projets ou effectue des réparations à l’intérieur ou à l’extérieur de sa résidence. Utilisés correctement, ces outils procurent à l’utilisateur un rendement et une puissance supérieurs qui excèdent de loin la période de garantie de deux ans. Par contre, tout outil utilisé à des fins commerciales ou tout produit de marque SPITFIRE^{MC} ou tout autre produit Black & Decker destiné aux consommateurs et réservé à un usage résidentiel, utilisé dans le cadre d’une ACTIVITÉ RELIÉE AU TRAVAIL, N’EST PAS COUVERT PAR LA PRÉSENTE GARANTIE.

SIERRA DE VAIVÉN DE VELOCIDAD VARIABLE PARA CONTORNEAR

MANUAL DE INSTRUCCIONES

NÚMERO DE CATÁLOGO SP5500JS

ANTES DE DEVOLVER ESTE PRODUCTO POR CUALQUIER RAZON LE ROGAMOS LLAME AL (55) 5326-7100

⚠ REGLAS DE SEGURIDAD GENERAL E INSTRUCCIONES PARA TODA HERRAMIENTA

⚠ ADVERTENCIA: Lea todas las instrucciones hasta comprenderlas. No ajustarse a las instrucciones siguientes puede ser causa de choque eléctrico, incendio o lesiones graves.

GUARDE ESTE MANUAL PARA FUTURAS CONSULTAS

Área de trabajo

- Mantenga el área de trabajo limpia y bien iluminada.** Las bancadas desordenadas y las zonas oscuras propician los accidentes.
- No opere herramientas eléctricas en atmósferas explosivas, como en presencia de líquidos, gases o polvos inflamables.** Las herramientas eléctricas producen chispas que pueden originar la ignición del polvo o los vapores.
- Mientras opere una herramienta eléctrica, mantenga lejos a los observadores, niños y visitantes.** Las distracciones pueden ocasionar que pierda el control.

Seguridad eléctrica

- Las herramientas con doble aislamiento están equipadas con una clavija polarizada (una pata es más ancha que la otra). Esta clavija se acoplará a un enchufe polarizado de una sola manera. Si la clavija no se acopla al contacto, inviértala. Si aún así no se ajusta, comuníquese con un electricista cualificado para que instale un enchufe polarizado apropiado. Nunca cambie la clavija.** El doble aislamiento ☐ elimina la necesidad de cables con tres hilos y sistemas de suministro eléctrico con conexión a tierra.
- Evite el contacto del cuerpo con superficies conectadas a tierra, tales como tuberías, radiadores, registros y refrigeradores.** El riesgo de choque eléctrico aumenta si su cuerpo hace tierra.
- No exponga las herramientas eléctricas a la lluvia o a condiciones de mucha humedad. Si entra agua en una herramienta eléctrica, aumenta el riesgo de choque eléctrico.
- No maltrate el cable. Nunca tome el cable para transportar la herramienta ni para desconectarla del enchufe. Mantenga el cable alejado de las fuentes de calor, el aceite, las orillas afiladas o las piezas en movimiento. Cambie inmediatamente los cables dañados.** Los cables dañados aumentan el peligro de choque eléctrico.
- Cuando opere una herramienta eléctrica a la intemperie, utilice una extensión marcada “W-A” o “W”.** Estas extensiones están clasificadas para uso a la intemperie y para reducir el riesgo de choque eléctrico.

Seguridad personal

- Al utilizar una herramienta eléctrica, esté atento, concéntrese en lo que hace y aplique el sentido común. No utilice la herramienta si se encuentra fatigado o bajo la influencia de drogas, alcohol o fármacos.** Mientras se utilizan herramientas eléctricas, basta un instante de distracción para sufrir lesiones graves.
- Lleve ropa adecuada. No utilice ropa suelta ni joyas. Recójase el cabello largo. Mantenga el cabello, la ropa y los guantes apartados de las piezas en movimiento.** Las partes móviles pueden atrapar las prendas de vestir sueltas, las joyas y el cabello. Los orificios de ventilación suelen cubrir piezas en movimiento, por lo que también se deben evitar.
- Evite puestas en marcha accidentales. Asegúrese de que el interruptor esté apagado antes de enchufar la máquina.** Transportar las herramientas con el dedo sobre el interruptor o enchufarlas con el interruptor encendido favorece los accidentes.
- Antes de poner en marcha la herramienta, retire las llaves de ajuste.** Una llave que se deje en una pieza giratoria de la herramienta puede provocar lesiones.
- No ponga en peligro su estabilidad. Manténgase siempre bien apoyado y equilibrado.** Un buen apoyo y equilibrio permiten controlar mejor la herramienta si se produce algún imprevisto.
- Utilice el equipo de seguridad. Lleve siempre lentes protectores.** Cuando sea adecuado, también se debe usar mascarilla antipolvo, zapatos de suela antideslizante, casco o protectores auditivos.

Uso y cuidados de la herramienta

- Utilice abrazaderas u otro elemento adecuado para sujetar y apoyar la pieza de trabajo en una plataforma estable.** Sujetar la pieza con la mano o contra el cuerpo es inestable y facilita la pérdida de control.
- No fuerce la herramienta. Emplee la herramienta correcta para cada aplicación.** La herramienta correcta hace el trabajo mejor y más seguro dentro del rango para el que ha sido diseñada.
- No utilice la herramienta si el interruptor no la enciende y apaga.** Cualquier herramienta que no pueda controlarse con el interruptor es peligrosa y se debe reparar.
- Desconecte la clavija del enchufe antes de proceder a cualquier ajuste, cambiar un accesorio o guardar la herramienta.** Estas medidas de seguridad preventiva reducen el riesgo de poner en marcha la herramienta accidentalmente.
- Cuando no las utilice, guarde las herramientas fuera del alcance de los niños o de cualquier persona no capacitada.** Las herramientas son peligrosas en manos de usuarios no capacitados.
- Cuide las herramientas. Conserve las herramientas de corte afiladas y limpias.** Unas herramientas adecuadamente cuidadas y con los bordes de corte afilados se atascan menos y son más fáciles de controlar.
- Compruebe si las piezas móviles se desalinean o atascan, si hay alguna pieza rota o cualquier otra circunstancia que pueda afectar la operación de la herramienta. Si la herramienta está dañada, hágala reparar antes de usarla.** Muchos accidentes los provocan unas herramientas mal cuidadas.
- Utilice únicamente los accesorios recomendados por el fabricante para su modelo.** Un mismo accesorio puede ser adecuado para una herramienta, pero peligroso si se usa en otra.

Servicio

- El servicio a la herramienta sólo deber ser realizado por personal de reparación calificado.** Si el servicio o mantenimiento es realizado por personal no calificado, podría resultar en riesgo de lesión.
- Cuando se repare una herramienta, sólo se deben usar repuestos originales. Siga las instrucciones en la sección de mantenimiento de este manual.** El uso de repuestos no autorizados o el incumplimiento de las instrucciones de mantenimiento pueden crear un riesgo de descarga eléctrica o lesión.

⚠ Normas específicas de seguridad

- Sujete la herramienta por las superficies aislantes si lleva a cabo una operación en que la herramienta pueda tocar un conductor oculto o su propio cable.** El contacto con un conductor activo provocará que las piezas metálicas de la herramienta conduzcan electricidad y que el operador reciba una descarga eléctrica.
- Mantenga sus manos fuera del área de corte.** Nunca se incline por debajo del material por ningún motivo. Sujete la parte frontal de la sierra asiéndola por el área contorneada de agarre. No inserte los dedos o el pulgar cerca de la hoja de vaivén o el sujetador de la hoja. No estabilice la sierra asiéndola por la platina.
- Mantenga las hojas afiladas.** Las hojas sin filo pueden hacer que la sierra se desvíe o se atasque al estar bajo presión.
- Al cortar un tubo o conducto portacables, asegúrese de que estos no contienen agua o cables, etc.**

⚠ ADVERTENCIA: Parte del polvo generado al lijar, serrar, esmerilar y taladrar, así como al realizar otras actividades del sector de la construcción, contienen productos químicos que pueden producir cáncer, defectos congénitos u otras afecciones reproductivas. Ejemplos de esas substancias químicas son:

- plomo procedente de pinturas a base de plomo,
- óxido de silicio cristalino procedente de ladrillos, cemento y otros productos de mampostería, y
- arsénico y cromo procedentes de madera tratada químicamente (CCA).

El peligro derivado de estas exposiciones que usted enfrente varía en función de la frecuencia

Imported by / Importé par
Black & Decker Canada Inc.
100 Central Ave.
Brockville (Ontario) K6V 5W6

Voir la rubrique “Outils électriques”
des Pages Jaunes
pour le service et les ventes.



con que se realice este tipo de trabajo. Para reducir la exposición a esas sustancias químicas: trabaje en una zona bien ventilada y llevando equipos de seguridad aprobados, como mascarillas antipolvo especialmente diseñadas para filtrar partículas microscópicas.

- **Evite el contacto prolongado con el polvo procedente del lijado, serrado, esmerilado y taladrado eléctricos, así como de otras actividades del sector de la construcción. Lleve ropa protectora y lave con agua y jabón las zonas expuestas.** Si permite que el polvo se introduzca en la boca u ojos o quede sobre la piel, puede favorecer la absorción de productos químicos peligrosos.

⚠ ADVERTENCIA: El uso de esta herramienta puede generar o dispersar polvo lo cual puede causar lesiones respiratorias serias y permanentes y otros tipos de lesión. Siempre use protección respiratoria aprobada por NIOSH/OSHA para la exposición al polvo. Dirija las partículas en dirección opuesta a su cara y cuerpo.

⚠ PRECAUCIÓN: Utilice una protección auditiva apropiada durante el uso. En determinadas condiciones y con utilizaciones prolongadas, el ruido generado por este producto puede favorecer la pérdida de audición.

La etiqueta de la herramienta puede incluir los siguientes símbolos:

V	voltios	A	amperios
Hz	hertzios	W	vatios
min	minutos	~	corriente alterna
====	corriente directa	nº	velocidad sin carga
☐	construcción de Clase II	⊖	terminal con conexión a tierra
⚠	simbolo de alerta de seguridad	.../min	revoluciones u oscilaciones por minuto

Características - SP5500JS

- | | |
|--|--|
| 1. Conmutador de encendido y apagado | 8. Botón para contornear |
| 2. Botón de bloqueo en ON | 9. Selector de modalidad |
| 3. Botón de control de velocidad variable | 10. Placa de la base |
| 4. Palanca de bloqueo de la hoja de la sierra | 11. Botón de bloqueo de la placa de la base |
| 5. Rodillo de soporte de la hoja de la sierra | 12. Compartimiento de almacenamiento para hojas de la sierra |
| 6. Tornillo de ajuste del rodillo de soporte de la hoja de la sierra | 13. Soplador de polvo |
| 7. Hoja de la sierra | 14. Adaptador de extracción de polvo |

Uso de cables de extensión

Asegúrese de que el cable de extensión esté en buenas condiciones antes de usarlo. Use siempre el tamaño adecuado de los cables de extensión con la herramienta — o sea, el tamaño de cable adecuado para los distintos largos de cable, y que sea lo suficientemente “pesado” para transportar la corriente que su producto va a extraer. Un cable de tamaño insuficiente causará una caída en la línea de voltaje resultando en pérdida de energía y recalentamiento. Para el tamaño de cable correcto vea la tabla a continuación.

Voltios	Calibre mínimo para juegos de cables				
	Largo total del cable en metros				
120 V	0 - 7,6	7,6 - 15,2	15,2 - 30,4	30,4 - 45,7	
240 V	0 - 15,2	15,2 - 30,4	30,4 - 60,9	60,9 - 91,4	
Amperaje nominal		American Wire Gage			
Más de	No más de				
0	- 6	18	16	16	14
6	- 10	18	16	14	12
10	- 12	16	16	14	12
12	- 16	14	12	NO RECOMENDADO	

Motor

Verifique que su suministro de corriente concuerde con el marcaje de la placa de datos. 120 Voltios de corriente alterna (AC) sólo indica que su taladro operará con corriente casera estándar de 60 Hz. No opere herramientas de corriente alterna (AC) con corriente directa (DC). Una potencia de régimen de 120 voltios AC/DC significa que su herramienta operará con corriente estándar de 60 Hz AC o DC. Esta información está impresa en la placa de datos. Un voltaje menor ocasionará pérdida de corriente y puede resultar en recalentamiento. Todas las herramientas Black & Decker se prueban en fábrica; si esta herramienta no funciona, verifique el suministro de corriente.

CONSERVE ESTAS INSTRUCCIONES

Montaje

⚠ ADVERTENCIA: Hoja afilada. Para evitar que se encienda accidentalmente, apague y desenchufe la sierra antes de realizar las siguientes operaciones. El incumplimiento con lo anterior podría resultar en graves lesiones corporales.

Colocación de la hoja de sierra (Fig. A)

- Sujete la hoja (7) según se ilustra, con los dientes hacia adelante.
- Empuje la palanca (4) hacia abajo.
- Inserte la espiga de la hoja en el portahoja (10) lo más adentro que pueda.
- Suelte la palanca.
- Ajuste el rodillo de apoyo de la hoja según se describe a continuación.

Ajuste del rodillo de apoyo de la hoja (Fig. B)

- Después de poner la hoja, es necesario ajustar el rodillo de apoyo de la hoja (5).
- Gire el tornillo de ajuste del soporte de la hoja (6) en la dirección A.
- Deslice el rodillo de soporte de la hoja contra la parte posterior de la hoja. La hoja debe encajar en la ranura central del rodillo.
- Gire el tornillo de ajuste del soporte de la hoja en la dirección B para fijar el soporte de la hoja en su lugar.

Para conectar la aspiradora a la herramienta (Fig. C & D)

- Alinear el adaptador de extracción de polvo (14) con la platina de la sierra según se ilustra.
- Insertar las nervaduras (16) en las ranuras (17).
- Tire del adaptador hacia la parte posterior de la sierra de vaivén para fijarlo.
- Conectar la manguera de la aspiradora (18) (no suministrada) al adaptador.
- **No es posible extraer el polvo cuando se realizan cortes de biselado.**

⚠ ADVERTENCIA: Peligro de incendio. No use el adaptador para aspiradoras cuando corte metal. Las limaduras de metal pueden estar calientes y causar un incendio dentro del recipiente de la aspiradora.

Uso

⚠ ADVERTENCIA: Peligro de laceración. Para evitar perder el control, nunca use la herramienta si la base de la sierra está suelta o si ha sido retirada. El incumplimiento con lo anterior podría resultar en graves lesiones corporales.

Ajuste de la platina para cortes de biselado (Fig. E)

- Se puede fijar la platina para un ángulo de biselado hacia derecha o izquierda hasta 45°.
- Gire la perilla de bloqueo (11) en dirección A para liberar la platina (10).
- Tire de la platina (10) hacia atrás y fíjela al ángulo requerido. Usted puede usar la escala o un transportador para verificar el ángulo.
- Gire la perilla de bloqueo (11) en dirección B para encajar la platina en su lugar.
- Para fijar de nuevo la platina para cortes rectos:
- Gire la perilla de bloqueo (11) en dirección A para liberar la platina (10).
- Tire de la platina hacia atrás y fíjela al ángulo de aproximadamente 0°.
- Empuje la platina hacia adelante.
- Gire la perilla de bloqueo (11) en dirección B para encajar la platina en su lugar. Asegúrese de la platina está apoyada por las nervaduras de guía.

Control de velocidad variable

- Fije la perilla de velocidad variable (3) al rango de velocidad requerido. Use velocidad alta para madera, mediana para aluminio y PVC y baja para los demás metales que no sean aluminio.

Para prender y apagar la herramienta

- Para prender la herramienta, oprima el interruptor de velocidad variable (1). La velocidad de la herramienta depende de cuán profundo usted oprime el interruptor.
- Para una operación continua, oprima el botón de bloqueo (2) y suelte el interruptor de velocidad variable. Esta opción sólo se puede utilizar a velocidad máxima.
- Para apagar la herramienta, suelte el interruptor de velocidad variable. Para apagar la herramienta mientras está en operación continua, oprima el interruptor de velocidad variable una vez más y suéltelo.

Uso del selector de modalidades

El selector de modalidades (9) puede fijarse en 3 posiciones:

1. Posición de contorneado (**fig. F y G**) - esta posición permite que el botón de contorneado (8) sea girado para trabajos complicados y que requieren precisión. (En esta posición no hay vibración.)
Se recomienda usar hojas de contorneado cuando trabaje en esta modalidad.
2. Posición para cortes rectos (**fig. Ha, Hb y Hc**) - esta posición apaga la vibración y bloquea el botón de contorneado para evitar que gire. El botón de contorneado puede ser bloqueado en una de 4 posiciones para cortes rectos.
Método de activación:
 - a. Ponga el selector de modalidades en la posición de contorneado.
 - b. Gire el botón de contorneado a la posición deseada (puede ser una de 4 posiciones — la hoja puede apuntar hacia adelante, en reversa, a la izquierda o derecha).
 - c. Ponga el selector de modalidades en la posición neutra. (En esta posición el botón de contorneado no puede ser girado).
3. Posición para acción orbital (**fig. Ia, Ib e Ic**) - esta posición enciende la vibración para cortes rectos rápidos y eficientes. Esta modalidad sólo puede ser seleccionada con la hoja apuntando hacia adelante.
Método de activación:
 - a. Ponga el selector de modalidades en la posición de contorneado.
 - b. Gire el botón de contorneado para apuntar la hoja hacia adelante.
 - c. Ponga el selector de modalidades en la posición de vibración. (En esta posición el botón de contorneado no puede ser girado)

Cómo utilizar el dispositivo Sightline® (Fig. J)

- Use un lápiz para marcar la línea de corte.
 - Posicione la sierra caladora encima de la línea (19).
- Al poder ver la línea de corte directamente desde encima de la sierra, ésta puede seguirse fácilmente. Si esta vista queda restringida por alguna razón, se puede utilizar la muesca (20) como guía alternativa de corte.

Sugerencia para un uso optimo General

- Use velocidad alta para madera, mediana para aluminio y PVC y baja para los demás metales que no sean aluminio.

Para aserrar laminados

- Como la hoja de sierra hace el corte en su trayectoria hacia arriba, puede que la superficie más cercana a la platina se astille.
- Use una hoja de dientes afinados.
- Haga el aserrado desde la superficie posterior de la pieza de corte.
- A fin de minimizar el astillado, afiance un resto de madera o madera prensada a ambos lados de la pieza de corte y proceda a aserrar a través de esta especie de “sandwich”.

Aserrado en metal

- Para empezar, recuerde que aserrar metales toma mucho más tiempo que aserrar madera.
- Use una hoja apropiada para aserrar metales.
- En cortes de láminas delgadas, afiance un resto de madera a la parte posterior de la pieza y corte a través de esta especie de “sandwich”.
- Esparza una película fina de aceite a lo largo de la línea de corte propuesta.

⚠ ADVERTENCIA: Peligro de incendio. No use el adaptador para aspiradoras cuando corte metal. Las limaduras de metal pueden estar calientes y causar un incendio dentro del recipiente de la aspiradora.

Mantenimiento

Utilice solamente jabón suave y agua para limpiar la herramienta. Nunca permita que ningún líquido se introduzca dentro de la misma; nunca sumerja ninguna parte de la herramienta dentro de un líquido.

IMPORTANTE: Para garantizar la SEGURIDAD y FIABILIDAD del producto, toda reparación, mantenimiento y ajuste, deberán ser realizados en los centros autorizados de servicio u otras organizaciones de servicio calificadas, utilizando siempre para ello accesorios originales.

Accesorios

Los accesorios que se recomiendan usar con su herramienta están disponibles donde su distribuidor o centro de servicio local. De necesitar asistencia para obtener un accesorio, favor llamar al: **1-800-544-6986 (1-800-54-HOW-TO)**

⚠ ADVERTENCIA: Puede ser peligroso usar cualquier accesorio no recomendado.

Información de servicio

Black & Decker ofrece una red completa de centros de servicio y centros autorizados en toda Norteamérica. Todos los centros de servicio Black & Decker disponen de personal entrenado para dar un servicio eficiente y confiable a las herramientas eléctricas de sus clientes. De necesitar orientación técnica, reparación o repuestos originales de fábrica, diríjase al centro Black & Decker local. Para hallar la ubicación del centro de servicio más cercano, busque en las páginas amarillas de la guía telefónica bajo "Herramientas—Eléctricas" o llame a: **1-800-544-6986 (1-800-54-HOW-TO)**.

Garantía completa de dos años para uso doméstico

Black & Decker (U.S.) Inc. garantiza este producto por dos años contra cualquier defecto en su material o fabricación. Existen dos opciones para reemplazar o reparar el producto defectuoso, sin costo.

La primera, la cual resultará sólo en un cambio, es devolver el producto al vendedor del cual fue comprado (siempre que sea un local participante). Las devoluciones deberán realizarse durante el plazo especificado en la política de devoluciones del vendedor (generalmente entre 30 y 90 días después de la fecha de compra). Puede que sea necesario presentar prueba de compra. Por favor averigüe cuál es la política del vendedor para devoluciones efectuadas más allá del plazo para cambios.

La segunda opción es llevar o enviar el producto (con franqueo pagado) a un Centro de Servicio autorizado o al Centro de Servicio Black & Decker para su reparación o reemplazo, a decisión nuestra. Puede que sea necesario presentar prueba de compra. Los Centros de Servicio autorizados y Centros de Servicio Black & Decker se encuentran en las páginas amarillas bajo "Herramientas eléctricas".

Esta garantía no aplica a los accesorios. Esta garantía le da derechos legales específicos además de los cuales puede tener otros, los cuales varían entre estados. Si tuviese alguna pregunta, contacte al gerente de su Centro de Servicio Black & Decker más cercano. Este producto no es para uso comercial.

SUSTITUCIÓN GRATUITA DE LAS ETIQUETAS DE ADVERTENCIA: Si sus etiquetas de advertencia se vuelven ilegibles o se pierden, llame al **1-800-544-6986** para conseguir repuestos gratuitos.

Nota especial de GARANTÍA para Contratistas:

Los productos de marca SPITFIRE^{MC} se ofrecen como herramientas de calidad superior para uso doméstico y llevan una GARANTÍA PARA USO DOMÉSTICO. Estas herramientas son diseñadas, fabricadas y probadas para satisfacer o sobrepasar las necesidades del bricolero en la ejecución de proyectos y reparaciones en su casa y sus alrededores. El uso apropiado de esta herramienta le dará al dueño de casa una potencia y un desempeño superiores que durarán mucho más que la garantía de dos años. Sin embargo, si utiliza herramientas para su trabajo y usa productos de marca SPITFIRE^{MC} o cualquiera de las herramientas para uso doméstico Black & Decker EN SU LUGAR DE TRABAJO, debería saber que NO PODRÁ SER CUBIERTO BAJO NUESTRA GARANTÍA.

Para reparación y servicio de sus herramientas eléctricas, favor de dirigirse al Centro de Servicio más cercano:

CULIACAN, SIN Av. Nicolás Bravo #1063 Sur (667) 7 12 42 11 Col. Industrial Bravo	MONTERREY, N.L. Av. Francisco I. Madero No.831 (81) 8375 2313 Col. Centro	TORREON, COAH Blvd. Independencia, 96 Pte. (871) 716 5265 Col. Centro
GUADALAJARA, JAL Av. La Paz #1779 (33) 3825 6978 Col. Americana Sector Juarez	PUEBLA, PUE 17 Norte #205 (222) 246 3714 Col. Centro	VERACRUZ, VER Prolongación Díaz Mirón #4280 (229)921 7016 Col. Remes
MEXICO, D.F. Eje Central Lázaro Cardenas No. 18 (55) 5588 9377 Local D, Col. Obrera	QUERETARO, QRO Av. Madero 139 Pte. (442) 214 1660 Col. Centro	VILLAHERMOSA, TAB Constitución 516-A (993) 312 5111 Col. Centro
MERIDA, YUC Calle 63 #459-A (999) 928 5038 Col. Centro	SAN LUIS POTOSI, SLP Av. Universidad 1525 (444) 814 2383 Col. San Luis	PARA OTRAS LOCALIDADES LLAME AL: (55) 5326 7100

Especificaciones - SP5500JS

Tensión de alimentación:	120V	Consumo de corriente:	5,5A
Potencia nominal:	614W	Frecuencia de operación:	60Hz

Para servicio y ventas consulte
"HERRAMIENTAS ELECTRICAS"
en la sección amarilla.



IMPORTADOR: BLACK & DECKER S.A. de c.v.
bosques de CIDROS ACCESO radiatas no. 42
bosques de las lomas, 05120 mexico, d.f.
(55) 5326-7100