

INSTRUCTION MANUAL

Trimmer/Edger

ST6000/ST6050/ST8000/ST9000

KEY INFORMATION YOU SHOULD KNOW:

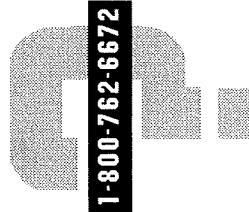
- Attach guard before trimming or edging.
- Angle tool slightly (10° to 30°) when trimming.

**SAVE THIS
MANUAL FOR
FUTURE REFERENCE.**

**VEA EL ESPAÑOL EN LA CONTRAPORTADA.
POUR LE FRANÇAIS, VOIR LA COUVERTURE ARRIÈRE.**

INSTRUCTIVO DE OPERACIÓN, CENTROS DE SERVICIO Y PÓLIZA DE GARANTÍA. ADVERTENCIA: LEÁSE ESTE INSTRUCTIVO ANTES DE USAR EL PRODUCTO.

BLACK&DECKER®



⚠ WARNING: IMPORTANT SAFETY WARNINGS AND INSTRUCTIONS

TO REDUCE RISK OF INJURY:

- Before any use, be sure everyone using this tool reads and understands all safety instructions and other information contained in this manual.
- Save these instructions and review frequently prior to use and in instructing others.

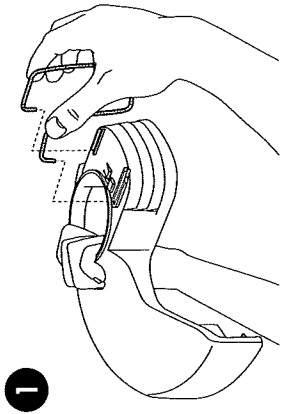
- **⚠ WARNING:** When using electric tools, basic safety precautions should always be followed to reduce risk of fire, electric shock, and personal injury, including the following.

READ ALL INSTRUCTIONS

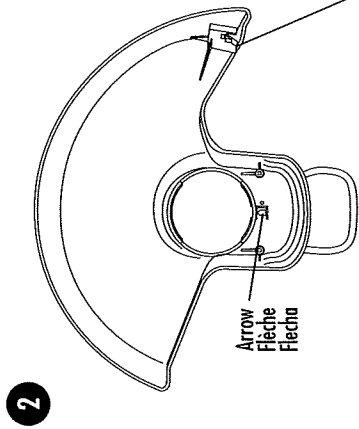
⚠ GENERAL SAFETY WARNINGS AND INSTRUCTIONS FOR ALL TOOLS

- **ALWAYS WEAR EYE PROTECTION** – Wear safety spectacles or goggles at all times when this tool is plugged in.
- **GUARD** – Do not use this tool without guard attached.
- **DRESS PROPERLY** – Don't operate the tool when barefoot or wearing open sandals. Always wear substantial rubber soled footwear. Use gloves and wear long pants to protect your legs.
- **NYLON LINE** – Keep face, hands and feet clear of rotating nylon line at all times. Do not extend beyond length specified in this manual.
- **THE ROTATING LINE PERFORMS A CUTTING FUNCTION** – Use care when trimming around screens and desirable plantings.
- **KEEP ALL BY-STANDERS AWAY** – at a safe distance from work area, especially children.
- **IMPORTANT WARNING** – When being used as an Edger, stones, pieces of metal and other objects can be thrown out at high speed by the line. The tool and guard are designed to reduce the danger. However, the following special precautions should be taken:
- **WEAR SAFETY GLASSES** or other eye protection.
- **MAKE SURE** that other persons and pets are at least 100 feet away.

ENGLISH

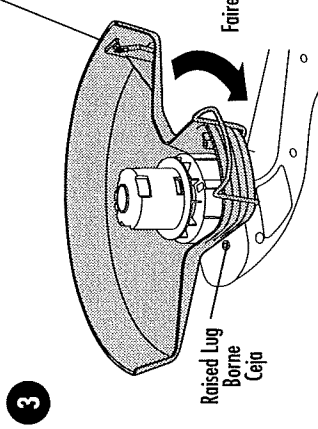


1



2

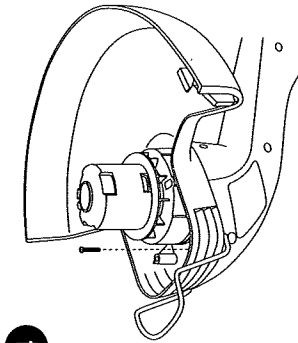
Arrow
Flèche
Flecha



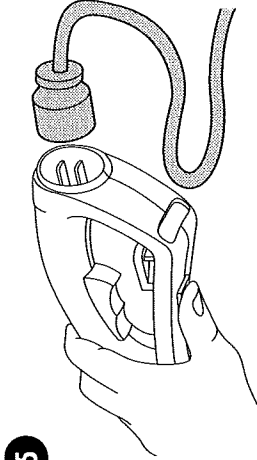
3

Raised Lug
Borne
Ceja

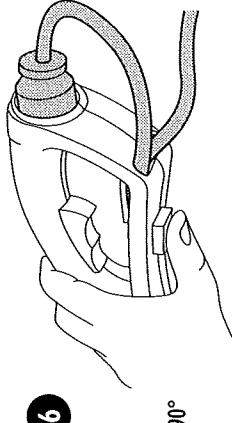
Rotate 90°
Faire pivoter de 90°
Gire 90°



4

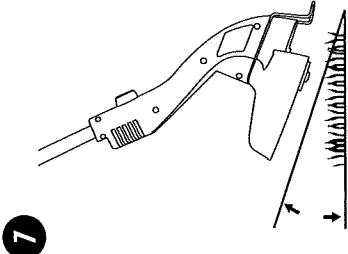


5

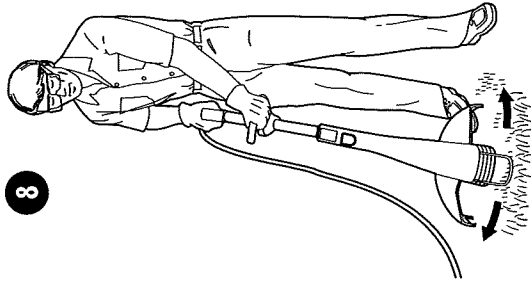


6

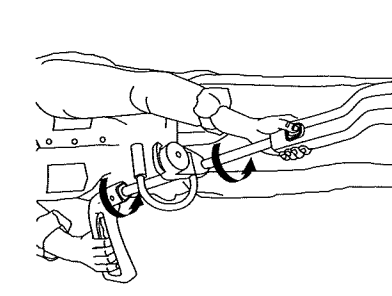
Cur-off Blade
Lame de coupe
Cuchilla de corte



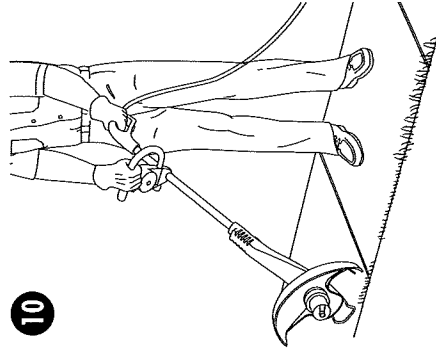
7



8

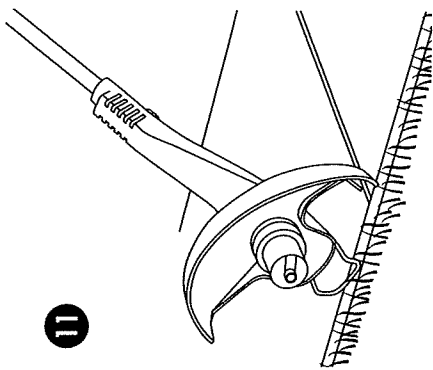


9

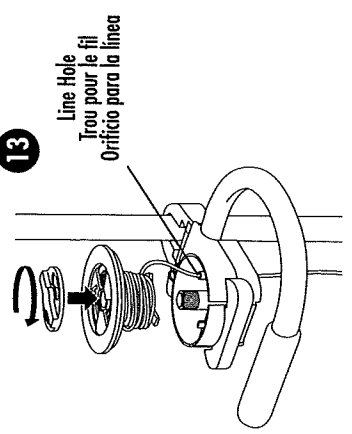


10

11

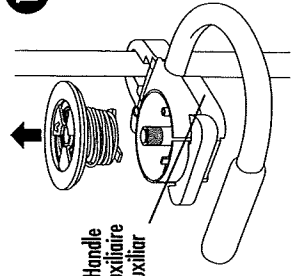


13



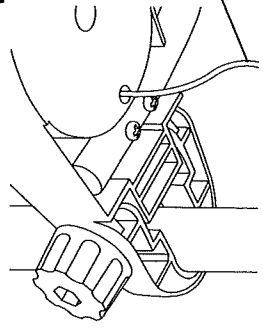
Line Hole
Trou pour le fil
Orificio para la línea

14



Auxiliary Handle
Poignée auxiliaire
Mango auxiliar

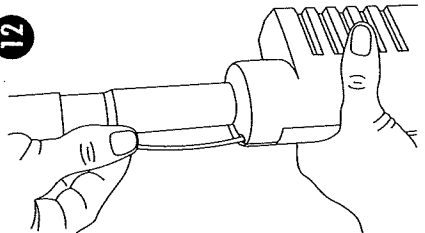
15



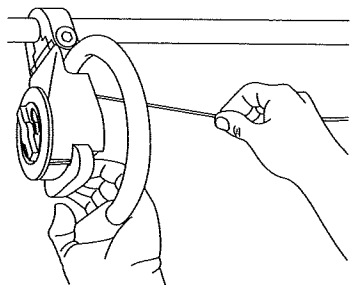
Nylon Line
Fil de nylon
Línea de Nylon

Underside of Auxiliary Handle
Dessous de la poignée auxiliaire
Lado inferior del mango auxiliar

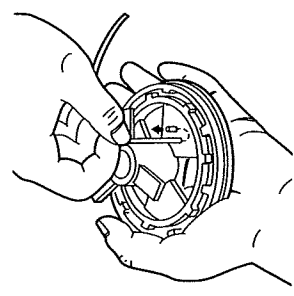
12



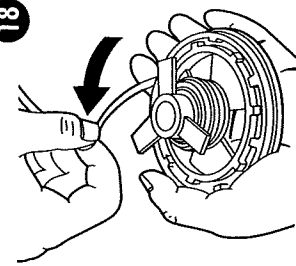
16



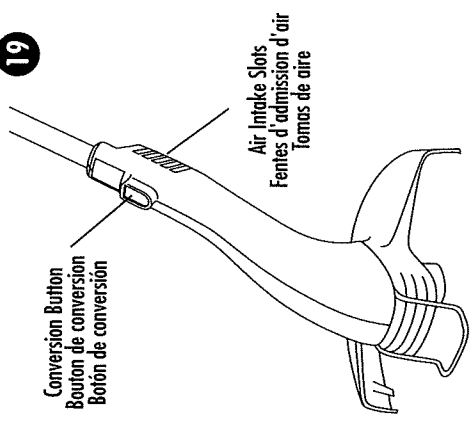
17



18



19



Conversion Button
Bouton de conversion
Botón de conversión

Air Intake Slots
Fentes d'admission d'air
Fomas de aire

Push Button
Bouton-poussoir
Oprima el botón

Extend Tube
Tube de rallonge
Extienda el tubo

- **TO REDUCE THE RISK** of rebound (ricochet) injury, work going away from any nearby solid object such as a wall, steps, large stone, tree, etc. Use great care when working close to solid objects and where necessary, do edging or trimming by hand.
- **AVOID ACCIDENTALLY STARTING** – Don't carry plugged-in tool with finger on trigger.
- **DO NOT FORCE THE TOOL** – at a rate faster than the rate at which it is able to cut effectively.
- **USE THE RIGHT TOOL** – Do not use this tool for any job except that for which it is intended.
- **DON'T OVERREACH** – Keep proper footing and balance at all times.
- **DON'T ABUSE CORD** – Don't yank cord from power supply. Keep cord from heat, oil, and sharp edges.
- **DAMAGE TO UNIT** – If you strike or become entangled with a foreign object, stop tool immediately, unplug, check for damage and have any damage repaired before further operation is attempted. Do not operate with a broken hub or spool.
- **DAMAGE TO CORD** – Keep power cord away from rotating line. If you damage the cord, unplug it from the power supply before moving the tool or examining the damage. A damaged cord must be replaced before further use.
- **DISCONNECT TOOL** – When not in use, when replacing line, or prior to cleaning.
- **AVOID DANGEROUS ENVIRONMENTAL CONDITIONS** – Do not use electric tools in damp or wet locations. Follow all instructions in this Instruction Manual for proper operation of your tool. Don't use the tool in the rain.
- **DO NOT OPERATE** portable electric tools in gaseous or explosive atmospheres. Motors in these tools normally spark, and the sparks might ignite fumes.
- **STORE IDLE TOOLS INDOORS** – When not in use, tools should be stored indoors in dry, locked-up place out of reach of children.
- **WARNING:** To prevent electrical shock hazard, use only with an extension cord suitable for outdoor use. Always connect extension cords to a fused line or one protected by a circuit breaker.

If you have any questions, call 1-800-762-6672

⚠ SAFETY WARNINGS AND INSTRUCTIONS: DOUBLE INSULATION

• AN IMPORTANT CONSUMER FEATURE

Your tool is double-insulated. This means that it is constructed throughout with two separate "layers" of electrical insulation or one double thickness of insulation between you and the tool's electrical system.

Tools built with this insulation system are not intended to be grounded.

As a result, the extension cord used with your tool can be plugged into any conventional 120 Volt electrical outlet without concern for maintaining a ground connection.

NOTE: Double insulation does not take the place of normal safety precautions when operating this tool. The insulation system is for protection against injury resulting from a possible electrical insulation failure within the tool.

- **WARNING:** When servicing double insulated tools, USE ONLY IDENTICAL REPLACEMENT PARTS. Replace or repair damaged cords.

⚠ SAFETY WARNINGS AND INSTRUCTIONS: POLARIZED PLUGS

Polarized plugs (one blade is wider than the other) are used on equipment to reduce the risk of electric shock. When provided these plugs will fit only into polarized outlets. Since this tool must be used with an extension cord, make sure that the extension cord is a polarized one if it has two wires. Three wire extension cords are not polarized. Three wire extension cords can be used with this product. Do not modify the tool plug or the extension cord in any way.

⚠ SAFETY WARNINGS AND INSTRUCTIONS: EXTENSION CORDS

This double insulated tool can be used with 2 wire or 3 wire extensions. Only round jacketed extension cords should be used, and we recommend that they be listed by Underwriter's Laboratories (U.L.) if the extension will be used outside, the cord must be suitable for outdoor work. The letters "WA" on the cord jacket indicate that the cord is suitable for outdoor use.

An extension must have adequate wire size (AWG or American Wire Gauge) for safety, and to prevent loss of power and overheating. The smaller the gauge number of the wire, the greater the capacity of the cable, that is 16 gauge has more capacity than 18 gauge. When using more than one extension to make up the total length, be sure each extension contains at least the minimum wire size.

To determine the minimum wire size required, refer to the chart below.

Volts	Minimum Gauge for Cord Sets	
	Total Length of Cord in Feet	
120V	0-25	26-50
240V	0-50	51-100
		101-200
		201-300
Ampere Rating	American Wire Gauge	
More Than	Not more Than	
0 - 6	18	16
6 - 10	18	14
10 - 12	16	14
12 - 16	14	12
		Not Recommended

Before using an extension cord, inspect it for loose or exposed wires, damaged insulation, and defective fittings. Make any needed repairs or replace the cord if necessary. Black & Decker has extension cords available that are U.L. listed for outdoor use.

OPERATING INSTRUCTIONS

• ATTACHING GUARD

Attach edge guide to top of guard, as shown in Figure 1.

- **⚠ WARNING:** The guard must always be on the tool to protect the user.

NEVER OPERATE TOOL WITHOUT GUARD FIRMLY IN PLACE.

Unplug the tool before attempting to attach the guard.

1. Align the arrow on the bottom of the guard with the arrow on the bottom of the motor housing, as shown in Figure 2. Press the guard against the motor housing and rotate the guard 90 degrees clockwise until you feel it snap into place. (See Figure 3).
2. Insert the screw provided through the hole in the guard and into the raised lug, as shown in Figure 4 and tighten.
3. The guard is not intended to be removed.

• ATTACHING EXTENSION CORD TO TRIMMER/EDGER

Secure the extension cord with cord retainer as shown in Figures 5 and 6.

• ADJUSTING THE AUXILIARY HANDLE

The handle can be located all around the tube and all the way up and down. Simply loosen the knob and position the handle as desired.

• OPERATION AS A TRIMMER ALWAYS WEAR EYE PROTECTION

- **⚠ CAUTION:** Inspect area to be trimmed and remove any wire, cord, or string-like objects which could become entangled in the rotating line or spool. Be particularly careful to avoid any wire which might be bent outwardly into the path of the tool, such as barbs at the base of a chain link fence.

IMPORTANT – for the best cutting action against walls, fences and in high grass, move tool slowly so grass is cut with the tip of the high speed nylon line.

• TECHNIQUE AND PERFORMANCE NOTES

1. Angle unit as shown in Figure 7.
2. Swing trimmer side to side, as shown in Figure 8.

• CONVERTING TOOL FOR MAINTENANCE EDGING (FIGURE 9)

1. Unplug from power source.
2. Depress conversion button.
3. Hold the switch handle and upper tube stationary while you rotate the motor housing.
4. Return to trimming position by depressing the button and rotating back.

• OPERATION AS A MAINTENANCE EDGER

Position trimmer above sidewalk, as shown in Figure 10. For ST6050, ST8000, ST9000, rest edge guide as shown in Figure 11.

• LINE BREAKAGE

Nylon line may occasionally break. This will happen more frequently if proper trimming technique is not followed. To feed a new length of line, depress and release the feeder bar several times while the unit is running until you hear the line being trimmed by the blade in the guard.

NOTE: Occasionally after a line breakage, the trimmer will not feed properly. If this occurs, turn the trimmer off and unplug the extension cord. Depress and release the feeder bar several times while pulling down on the nylon line under the handle as shown in Figure 12. Push the slack line down through the tube in the motor housing and resume trimming.

• **LOADING THE NYLON LINE**

1. Remove the spool nut as shown in Figure 13. (The knob is designed to be removed by hand. No tools are necessary.)
2. Lift the spool out of the auxiliary handle, as shown in Figure 14.
3. Unwind about 3 feet of nylon line from the spool and pass the end down through the line hole in the auxiliary handle, shown in Figures 13 and 15.
4. Replace the line spool in the auxiliary handle, shown in Figures 13 and 15. **NOTE:** Be careful not to pinch the line between the spool and the inside of the handle.
5. Replace and hand tighten the spool nut.
6. Insert the 3 feet of line into the line hole in the motor housing as shown in Figure 12.
7. If no line appears at the trimmer hub, simply push the touch feed bar while pulling a few more inches of line, as shown in Figure 16, and continue pushing line down through tube. This length will be trimmed to the proper size automatically when the tool is turned on.

• **REWINDING SPOOL FROM BULK NYLON LINE**

- (Do not discard old spool)
1. Remove all line from old spool.
 2. Weave the line through the two small holes in the top of the spool as shown in Figures 17 and 18.
 3. Wind line in direction shown in Figure 18. Measure and install up to 50 feet of .065" diameter nylon monofilament line.
 4. Perform steps 3 through 7 under "Loading the Nylon Line" above.

MAINTENANCE

• **TRIMMER/EDGER MAINTENANCE UNPLUG TOOL**

Maintain tool with care.

1. Keep the air intake slots (Figure 19) clean to avoid overheating which will damage tool. For this cleaning, use a dry brush or cloth to remove grass, sap or other debris.
 2. Plastic parts may be cleaned by using a mild soap and a damp rag. Do not squirt the the tool with water.
- **PREVENTING CORROSION**
Fertilizers and other garden chemicals contain agents which greatly accelerate the corrosion of metals. If you trim or edge in areas where fertilizers or chemicals have been used, the tool should be cleaned immediately as follows: **BE SURE THE TOOL IS UNPLUGGED.** Wipe all exposed parts with a damp cloth. **DO NOT** immerse tool in water or squirt it with a hose. Do not store the tool on or adjacent to fertilizers or chemicals. Such storage can cause rapid corrosion of metal parts.

Use only mild soap and damp cloth to clean the tool. Never let any liquid get inside the tool; never immerse any part of the tool into a liquid.

IMPORTANT: To assure product **SAFETY** and **RELIABILITY**, repairs, maintenance and adjustment should be performed by authorized service centers or other qualified service organizations, always using identical replacement parts.

Accessories

Recommended accessories for use with your tool are available from your local dealer or authorized service center. If you need assistance regarding accessories, please call: **1-800-762-6672.**

- **⚠ WARNING:** The use of any accessory not recommended for use with this tool could be hazardous.

Service Information

Black & Decker offers a full network of company-owned and authorized service locations throughout North America. All Black & Decker Service Centers are staffed with trained personnel to provide customers with efficient and reliable power tool service.

Whether you need technical advice, repair, or genuine factory replacement parts, contact the Black & Decker location nearest you.

To find your local service location, refer to the yellow page directory under "Tools—Electric" or call: **1-800-762-6672**.

Important

To assure product SAFETY and RELIABILITY, repairs, maintenance and adjustment (excluding maintenance described in this manual) should be performed by Black & Decker service centers or other qualified service organizations, always using Black & Decker replacement parts.

Full Two-Year Home Use Warranty

Black & Decker (U.S.) Inc. warrants this product for two years against any defects that are due to faulty material or workmanship. Please return the complete unit, transportation prepaid, to the seller (if a participating retailer) for free replacement (proof of purchase may be required). This unit may also be returned to a Black & Decker service center or authorized service station, listed under "Tools—Electric" in the yellow pages for free replacement or repair at our option. This warranty does not apply to accessories. This warranty gives you specific legal rights and you may have other rights which vary from state to state. Should you have any questions, contact your nearest Black & Decker service center manager.

This product is not intended for commercial use.

Every Black & Decker tool is of the highest quality. If you wish to contact us regarding this product, please call toll free between 8:00 a.m. and 8:00 p.m. ET, seven days a week.

1-800-762-6672

Black & Decker (U.S.) Inc.,
701 E. Joppa Rd.
Towson, MD 21286 U.S.A.

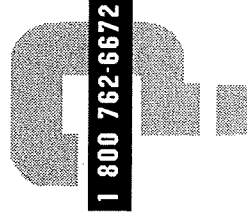


See "Tools—Electric"
— Yellow Pages —
for Service & Sales

GUIDE D'UTILISATION

Coupe-bordure

ST6000/ST6050/ST8000/ST9000



RENSEIGNEMENTS IMPORTANTS

- Fixer le protecteur avant d'utiliser le coupe-bordure.
- Incliner légèrement l'outil (de 10° à 30°) pendant la coupe.

CONSERVER LE PRÉSENT GUIDE À TITRE DE RÉFÉRENCE.

Pour obtenir de plus amples
renseignements, composer le
1 800 762-6672.

