

HOLGUN[®]

Instruction Manual

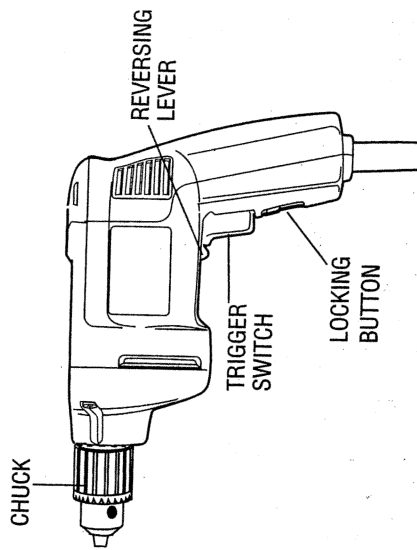
**1042 • 1046 • 1166 • 1180 • 1180G • 1311
1311G • 1312 • 1312G • 2600 VSR Drills**

Getting the most out of your tool.

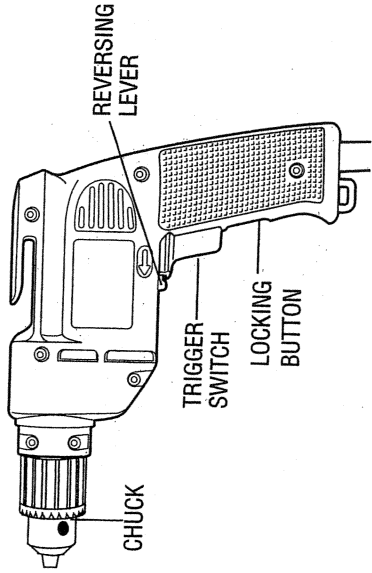
Please take time to read this manual and pay particular attention to the safety rules we've provided for your protection. Don't forget to send in your owner's registration card. If you have any questions about your tool please call:

1-800-9-BD TOOL
(1-800-923-8665)

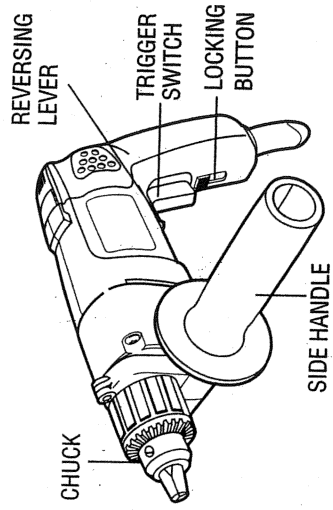
1042/1046 (1/4") VSR DRILLS
1180/1180G/2600 (3/8") VSR DRILLS



1166 (3/8") VSR DRILL



1311/1311G/1312/1312G
(1/2") VSR DRILLS



FOR YOUR SAFETY - ALL TOOLS

WARNING: When using electric tools, basic safety precautions should always be followed to reduce risk of fire, electric shock, and personal injury, including the following:

READ ALL INSTRUCTIONS

Double Insulation (1042, 1046, 1166, 1180, 1311, 1312, 2600)

Double insulated tools are constructed throughout with two separate layers of electrical insulation or one double thickness of insulation between you and the tool's electrical system. Tools built with this insulation system are not intended to be grounded. As a result, your tool is equipped with a two prong plug which permits you to use extension cords without concern for maintaining a ground connection.

NOTE: Double insulation does not take the place of normal safety precautions when operating this tool. The insulation system is for added protection against injury resulting from a possible electrical insulation failure within the tool.

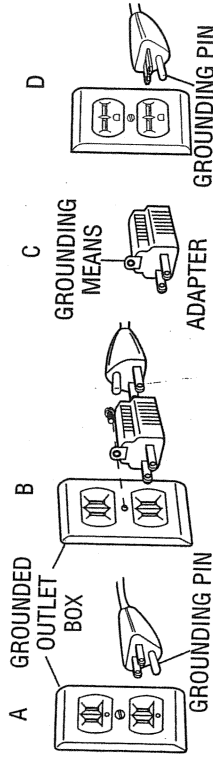
CAUTION: WHEN SERVICING USE ONLY IDENTICAL REPLACEMENT PARTS. Repair or replace damaged cords.

Polarized Plugs (1042, 1046, 1166, 1180, 1311, 1312, 2600)

Polarized plugs (one blade is wider than the other) are used on equipment to reduce the risk of electric shock. When provided, this plug will fit into a polarized outlet only one way. If the plug does not fit fully into the outlet, reverse the plug. If it still does not fit, contact a qualified electrician to install the proper outlet. Do not change the plug in any way.

Grounding Instructions (1180, 1311G, 1312G)

This tool should be grounded while in use to protect the operator from electric shock. The tool is equipped with a 3-conductor cord and 3-prong grounding type plug to fit the proper grounding type receptacle. The green (or green and yellow) conductor in the cord is the grounding wire. Never connect the green (or green and yellow) wire to a live terminal. If your unit is intended for use on less than 150 V, it has a plug that looks like that shown in sketch A. If it is for use on 150 to 250 V, it has a plug that looks like that shown in sketch D. An adapter, sketches B and C, is available for connecting sketch A type plugs to 2-prong receptacles. The green-colored rigid ear, lug, or the like, extending from the adapter must be connected to a permanent ground, such as a properly grounded outlet box. No adapter is available for a plug as shown in sketch D. ADAPTER SHOWN IN FIGURES B and C IS NOT FOR USE IN CANADA. Use only 3-wire extension cords that have 3-prong grounding-type plugs and 3-pole receptacles that accept the tool's plug. Replace or repair damaged cords.



Safety Instructions For All Tools

- **KEEP WORK AREA CLEAN.** Cluttered areas and benches invite injuries.
- **CONSIDER WORK AREA ENVIRONMENT.** Don't expose power tools to rain. Don't use power tools in damp or wet locations. Keep work area well lit. Do not use tool in presence of flammable liquids or gases.
- **GUARD AGAINST ELECTRIC SHOCK.** Prevent body contact with grounded surfaces. For example; pipes, radiators, ranges, and refrigerator enclosures.

- **KEEP CHILDREN AWAY.** Do not let visitors contact tool or extension cord. All visitors should be kept away from work area.
- **STORE IDLE TOOLS.** When not in use, tools should be stored in dry, and high or locked-up place — out of reach of children.
- **DON'T FORCE TOOL.** It will do the job better and safer at the rate for which it was intended.
- **USE RIGHT TOOL.** Don't force small tool or attachment to do the job of a heavy-duty tool. Don't use tool for purpose not intended.
- **DRESS PROPERLY.** Do not wear loose clothing or jewelry. They can be caught in moving parts. Rubber gloves and non-skid footwear are recommended when working outdoors. Wear protective hair covering to contain long hair.
- **USE SAFETY GLASSES.** Also use face or dust mask if operation is dusty.
- **DON'T ABUSE CORD.** Never carry tool by cord or yank it to disconnect from receptacle. Keep cord from heat, oil, and sharp edges.
- **SECURE WORK.** Use clamps or a vise to hold work. It's safer than using your hand and it frees both hands to operate tool.
- **DON'T OVERREACH.** Keep proper footing and balance at all times.
- **MAINTAIN TOOLS WITH CARE.** Keep tools sharp and clean for better and safer performance. Follow instructions for lubricating and changing accessories. Inspect tool cords periodically and if damaged, have repaired by authorized service facility. Inspect extension cords periodically and replace if damaged. Keep handles dry, clean, and free from oil and grease.
- **DISCONNECT OR LOCK OFF TOOLS** when not in use, before servicing, and when changing accessories, such as blades, bits, cutters.
- **REMOVE ADJUSTING KEYS AND WRENCHES.** Form habit of checking to see that keys and adjusting wrenches are removed from tool before turning it on.
- **AVOID UNINTENTIONAL STARTING.** Don't carry tool with finger on switch. Be sure switch is off when plugging in.
- **EXTENSION CORDS.** Make sure your extension cord is in good condition. When using an extension cord, be sure to use one heavy enough to carry the current your product will draw. An undersized cord will cause a drop in

line voltage resulting in loss of power and overheating. The following table shows the correct size to use depending on cord length and nameplate ampere rating. If in doubt, use the next heavier gage. The smaller the gage number, the heavier the cord.

Minimum Gage for Cord Sets		
Volts	Total Length of Cord in Feet	
120V	0-25	101-150
240V	26-50	51-100
	51-100	101-200
		201-300
Ampere Rating	AWG	
More Than	Not more Than	
0	6	16
6	10	16
10	12	14
12	16	14
	12	Not Recommended

- **OUTDOOR USE EXTENSION CORDS.** When tool is used outdoors, use only extension cords intended for use outdoors and so marked.
- **STAY ALERT.** Watch what you are doing. Use common sense. Do not operate tool when you are tired.
- **CHECK DAMAGED PARTS.** Before further use of the tool, a guard or other part that is damaged should be carefully checked to determine that it will operate properly and perform its intended function. Check for alignment of moving parts, binding of moving parts, breakage of parts, mounting, and any other conditions that may affect its operation. A guard or other part that is damaged should be properly repaired or replaced by an authorized service center unless otherwise indicated elsewhere in this instruction manual. Have defective switches replaced by authorized service center. Do not use tool if switch does not turn it on and off.
- **CAUTION:** When drilling or driving into walls, floors or wherever live electrical wires may be encountered, DO NOT TOUCH ANY METAL PARTS OF THE TOOL! Hold the tool only by insulated grasping surfaces to prevent electric shock if you drill or drive into a live wire.

SAVE THESE INSTRUCTIONS

TOOL OPERATION

Side Handle (1311/13116/1312/13126)

CAUTION: Always use side handle when provided and hold drill with both hands. A side handle is supplied with all 1/2" and some 3/8" drills. In most cases, it clamps to the front of the gear case as shown in Figure 1 and can be rotated 360° to permit right or left hand use.

Switch

To start drill, depress the trigger switch, shown in Figure 2. To stop drill, release the switch. To lock the trigger switch in the ON position for continuous operation, depress the trigger switch and push up the **locking button**. The tool will continue to run. To turn the tool OFF, from a locked ON condition, squeeze and release the trigger once. Before using the tool (each time), be sure that the locking button release mechanism is working freely.

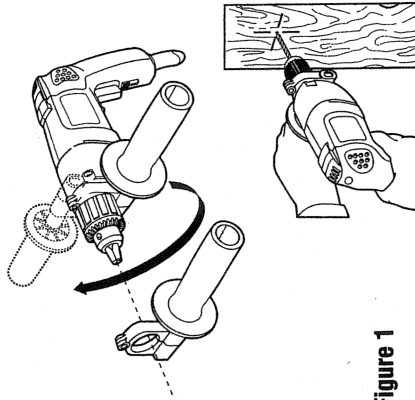


Figure 1

Do not lock the switch ON when drilling by hand so that you can instantly release the trigger switch if the bit binds in the hole. The locking button is for use only when the drill is mounted in a drill press stand or other wise held stationary. Be sure to release the locking mechanism before disconnecting the plug from the power supply. Failure to do so will cause the drill to start immediately the next time it is plugged in. Damage or injury could result.

The **variable speed trigger switch** permits speed control. The farther the trigger switch is depressed, the higher the speed of the drill.

NOTE: Use lower speeds for starting holes without a centerpunch, drilling in metal, plastics or ceramics, or driving screws. Higher speeds are better for drilling in wood and composition board and for using abrasive and polishing accessories.

The **reversing lever** is used to reverse the drill for backing out screws or jammed bits. It is located above the trigger, shown in Figure 2. To reverse the drill, turn it OFF and push the reversing lever to the left (when viewed from the chuck end). To position the lever for forward operation, turn the drill OFF and push the lever to the right.

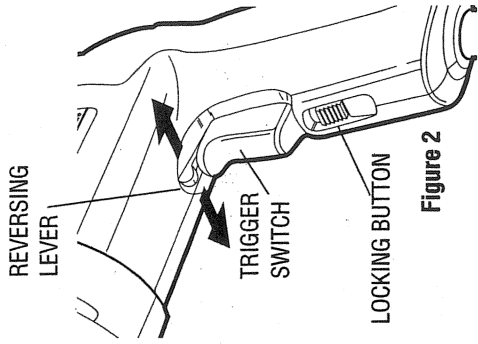


Figure 2

Chuck

To insert bit, open chuck jaws by turning collar with fingers and insert shank of bit about 3/4" into chuck. Tighten chuck collar by hand. Place chuck key in each of the three holes and tighten in clockwise direction. It's important to tighten chuck with all three holes. **To release bit,** turn chuck key counterclockwise in just one hole, then loosen the chuck by hand.

Chuck Key Holder

(May be installed already)

1. Push double hole end of holder through slot in other end of holder (Figure 3).
2. Slip loop over electric plug and draw loop tight around cord (Figure 4).
3. Push ends of chuck key handle through two holes in end of holder (Figure 5).

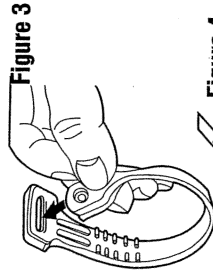


Figure 3

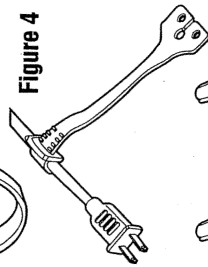


Figure 4



Figure 5

Chuck Removal

1. TURN OFF TOOL AND DISCONNECT FROM POWER SUPPLY.
2. Place chuck key in chuck as shown in Figure 6.
3. Using a wooden mallet or similar object, strike key sharply in a clockwise direction. This will loosen screw inside chuck (Figure 6).
4. Open chuck jaws fully. Insert screwdriver (or 3/16" hex wrench if required) into front of chuck between jaws to engage screw head.

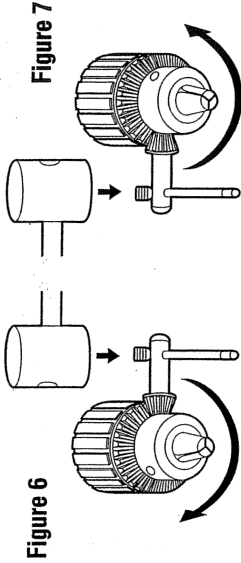


Figure 6

Figure 7

5. Remove screw by turning clockwise (left-hand thread).
6. Place key in chuck as shown in Figure 7.
7. Using a wooden mallet or similar object, strike key sharply in a counterclockwise direction. This will loosen chuck so that it can be unscrewed by hand (Figure 7).

Drilling

1. Always turn off tool and disconnect from power supply when attaching or changing bits or accessories.
2. Use sharp drill bits only. For WOOD, use twist drill bits, spade bits, power auger bits, or hole saws. For METAL, use high speed steel twist drill bits or hole saws. For MASONRY, such as brick, cement, cinder block, etc., use carbide-tipped bits.
3. Be sure the material to be drilled is anchored or clamped firmly. If drilling thin material, use a "back-up" block to prevent damage to the material.
4. Always apply pressure in a straight line with the bit. Use enough pressure to keep the drill bit biting, but do not push hard enough to stall the motor or deflect the bit.
5. Hold tool firmly to control the twisting action of the drill.

MAINTENANCE

6. **IF DRILL STALLS**, it is usually because it is being overloaded. **RELEASE TRIGGER IMMEDIATELY**, remove drill bit from work, and determine cause of stalling. **DO NOT CLICK TRIGGER OFF AND ON IN AN ATTEMPT TO START A STALLED DRILL – THIS CAN DAMAGE THE DRILL.**

7. To minimize stalling on breaking through the material, reduce pressure on drill and ease the bit through the last fractional part of the hole.

8. Keep the motor running when pulling the bit back out of a drilled hole. This will help prevent jamming.

9. With variable speed drills there is no need to center punch the point to be drilled. Use a slow speed to start the hole and accelerate by squeezing the trigger harder when the hole is deep enough to drill without the bit skipping out. Operate at full speed after starting the bit.

Drilling in Wood

Holes in wood can be made with the same twist drills used for metal. These bits may overheat unless pulled out frequently to clear chips from the flutes. For larger holes, use spade bits, power auger bits, or hole saws. Work that is likely to splinter should be backed up with a block of wood.

Drilling in Metals

Use a cutting lubricant when drilling metals. The exceptions are cast iron and brass which should be drilled dry. The cutting lubricants that work best are sulphurized cutting oil or lard oil; bacon grease will also serve the purpose.

Drilling in Masonry

Use carbide tipped masonry bits at low speeds. Keep even force on the drill but not so much that you crack the brittle materials. A smooth, even flow of dust indicates the proper drilling rate.

Lubrication

All ball and sleeve bearings used are factory lubricated to last the life of the bearings. All needle bearings used received their lubrication from the grease in the gear case. Clean and relubricate gear case yearly or whenever servicing requires the gear case to be removed. Use type and quantity of grease shown on Parts Bulletin packed with your tool.

The gear case is removed by removing the three screws from the front of the tool. If the chuck is too large to permit removal of the two top screws, see instructions for chuck removal.

Motor Brushes

Your drill uses the B&D CHECKPOINT™ brush system. The tool will stop when the brushes wear out. This prevents damage to the motor.

IMPORTANT!

To assure product safety and reliability, particularly for double Insulated tools, repairs, maintenance and adjustment (excluding maintenance described in this manual) should be performed by B&D service centers or authorized service centers, using identical B&D replacement parts.

ACCESSORIES

Recommended accessories for use with your tool are available at extra cost from your distributor or local service center. A complete listing of service centers is included with your tool.

CAUTION: The use of any non-recommended accessory may be hazardous. If you need any assistance in locating any accessory call 1-800-9-BD TOOL: (1-800-923-8665) or contact Black & Decker (U.S.) Inc., Consumer Services Department, 626 Hanover Pike, P.O. Box 618, Hampstead, MD 21074.

MAXIMUM RECOMMENDED CAPACITIES

Drill Capacity	1/2"	1/2"	3/8"	3/8"	1/4"
RPM	0-600	0-900	0-1200	0-2000	0-2500
Bits, Metal Drilling	1/2"	1/2"	3/8"	3/8"	1/4"
Wood Flat Boring	1 1/2"	1 1/2"	1 1/4"	1"	3/4"
Bits, Masonry Drilling	9/16"	9/16"	9/16"	1/2"	1/2"
Hole Saws Wood	3 1/2"	3"	1 1/2"	1 1/8"	1 1/8"
Hole Saws Steel	2"	1 1/2"	1 1/4"	—	—

ACCESSORY MUST BE RATED FOR USE AT SPEED EQUAL TO OR HIGHER THAN NAMEPLATE RPM OF TOOL WITH WHICH IT IS BEING USED.

Wire Wheel Brushes	4" Diameter Maximum
Wire Cup Brushes	3" Diameter Maximum
Buffing Wheels	3" Diameter Maximum
Rubber Backing Pads	4-5/8" Diameter Maximum

CARBON REMOVING BRUSHES

Made of tempered-steel wire; used with 1/4" drills to remove rust and scale from metals. Leaves a burnished surface.



- A. Heavy duty solid wire-filled brush.
- B. Side-flare brush for close corner work.
- C. Hollow-core, flare bottom brush. Small cleaning brush (not shown).

WIRE WHEEL BRUSHES

Use in cleaning and removing rust, scale, old paint. Maximum safe RPM- 5000.



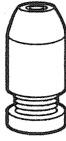
WIRE CUP BRUSH

Use in cleaning and removing rust, scale, old paint. Maximum safe RPM- 5000.



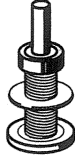
DRILL STOP

Capacity 1/4" to 1/2". Governs drilling depth.



WHEEL ARBORS

Fit 1/4" to 1/2" drills. Carry wire wheel brushes and buffing wheels.



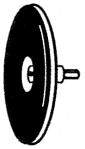
BUFFING WHEELS

Use with 1/4" to 1/2" drills and wheel arbors. 3" x 3/8" x 1/2" cotton buff.



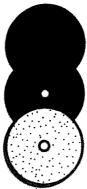
RUBBER BACKING PAD

Fit 1/4" to 1/2" drills. 4-5/8" rubber backing pad with plain shank. Used for sanding operations.



SANDING DISCS

Use with rubber backing pad.



ROUND-SHANK MASONRY BITS

These bits are carbide-tipped for top performance and extra long life in most masonry drilling applications.

BIT DIAMETER	USABLE DRILLING DEPTH	SHANK DIAMETER
3/16"	1-1/2"	3/16"
1/4"	2"	1/4"
5/16"	2-1/4"	1/4"
3/8"	2-1/2"	1/4"
1/2"	2-1/2"	1/4"

HIGH-SPEED HOLE SAWS (Use with mandrels)

SAW OUTSIDE DIAMETERS	FOR CONDUIT SIZES	FOR PIPE TAP SIZES
5/8"	5/8" hole saw has built in mandrel; no separate mandrel	
3/4"	3/8"	
7/8"	1/2"	
1-5/16"		3/4"
1"		
1-1/16"		
1-1/8"	3/4"	

Every B&D tool is of the highest quality.

If you wish to contact us regarding this product, please call toll free between 8:00am and 8:00pm ET, seven days a week.

1-800-9-BD TOOL

(1-800-923-8665)

One Year Service/Safety Check

All B&D tools for Industry and Construction are covered under a service/safety check program where B&D will inspect your tool for safety and provide necessary maintenance or repairs, including normal wear and tear parts, for one year, FREE OF CHARGE.

Full Warranty

All B&D tools for Industry and Construction are warranted to be free of any defects in materials or workmanship. Upon thorough examination of tool, B&D will repair or replace, at our option, any product that is determined to be defective.

Conditions

The service/safety check and the warranty do not apply to: repairs made or attempted by anyone other than an authorized B&D service location; misuse, abuse, neglect, improper application of the tool; missing parts; or normal wear and tear (after first year of ownership). Please return the complete unit, transportation prepaid, to any B&D factory owned or B&D authorized service center location (list provided with tool or see Yellow Pages under "Tools Electric").

YOUR POWER TOOLS MAY BE SERVICED AT THE FOLLOWING B & D SERVICE CENTERS.

ALABAMA: Birmingham 35209, 2412 Green Springs Hwy. 205-942-6538 Mobile 36608, 3831 Airport Blvd. 205-343-6624	ALASKA: Anchorage 99518, 910 West International Airport Rd. 907-563-4664 Mesa 65202, 535 S. Dobson, Suite 7. 602-461-1074 Phoenix 85013, 4501 N. 7th Avenue. 602-279-6414 Tucson 85712, 4845 E. Speedway Blvd. 602-323-3388	ARIZONA: Little Rock 72201, 519 W. Seventh St. 501-372-3040	CALIFORNIA: Anaheim 92806, 540 South State College Blvd. 714-772-4050 Chula Vista 91910, 309 Broadway. 619-420-6350 Concord 94520, 1500 Monument Blvd., #C2. 510-682-4880 Fresno 93710, 5412 North Blackstone Ave. 209-435-0810 Long Beach 90805, 2011 South St. 310-422-5825 Los Angeles 90040, 4820 South Eastern Ave., Suite "L". 213-720-1834 Siversville 92506, 6215 Magnolia Ave., Suite "B". 909-787-9700 San Diego 92123, 9276 Chammonit Mesa Blvd. 619-972-9090 San Jose 95128, 1185 So. Bascom Ave. 415-279-2011 San Leandro 94578, 15209 E. 14th St. 510-253-7350 Van Nuys 91411, 14920 Victory Blvd. 818-767-5510	COLORADO: Denver 80219, 1171 S. Federal Blvd. 303-922-8325	CONNECTICUT: Orange 06477, 481 Boston Post Rd. 203-795-3583 Wethersfield (Hartford) 06109, 662 Silas Dean Hwy. 203-563-5800	DISTRICT OF COLUMBIA: Washington Colmar Manor 20722, 4153 Bladensburg Rd. 301-779-3808 Falls Church, VA 22046, 344 W. Broad St. 703-533-7313	FLORIDA: Fl. Lauderdale 33334, 799 E. Oakland Pk. Blvd. 305-566-5102 Fl. Myers 33907, 5224 Bank Street. 813-278-1188 Jacksonville 32205, 920 Cassat Ave. 904-781-2253 Miami (North) 33166, 13545 N.W. Seventh Ave. 305-681-6658 Miami (South) 33156, 12233 So. Dixie Hwy. 305-232-9487 St. Pardo 32603, 3270 E. Colonial Dr. 407-894-7011 Tampa 33609, 3420 W. Kennedy Bl. 813-525-0273 West Palm Beach 33415, 310 South Military Trail. 407-689-3247	GEORGIA: Atlanta (South) 30349, 5330 Old National Hwy. 404-762-8844 Smyrna 30080, 2550 Cobb Pkwy. 404-956-0869 Stone Mountain (Atlanta) 30086, 5723 Memorial Dr. 404-292-4714	HAWAII: Honolulu 96819, 330 Sand Island Access Road. 808-847-7447	ILLINOIS: Des Plaines (Chicago) 60018, 1277 South Elmhurst Rd. 708-364-5220 Lincolnwood (Chicago) 60466, 6710 N. Crawford Ave. 708-673-0923 Lisle (West Chicago) 60532, 2950 Ogden Ave., Unit H. 708-717-1075 Moline 61265, 4433 23rd Ave. 309-762-3000 Oak Lawn (Chicago) 60453, 6343 W. 95th St. 708-423-7212 Waukegan 60065, 39 S. Greenbay Rd. 708-249-4390	INDIANA: Evansville 47710, 907 First Ave., Crescent Ctr. 812-425-4269 Hammond 46321, 7 Kennedy Ave. 219-845-5100 Indianapolis 46224, 5989 Crawfordsville Rd. 317-243-6308	IAHOMA: Oklahoma City 73106, 1318 Linwood Blvd. 405-232-7515 Tulsa 74145, 3120 S. Sheridan Rd. 918-822-5666	OHIO (CONT'D): Parma Heights (Cleveland) 44130, 6483 Pearl Road. 216-842-9100 Toledo 43607, 3231 Dorr St. 419-531-8921	OKLAHOMA: Oklahoma City 73106, 1318 Linwood Blvd. 405-232-7515 Tulsa 74145, 3120 S. Sheridan Rd. 918-822-5666	OREGON: Portland 97209, 1640 N.W. Johnson St. 503-228-8631	PENNSYLVANIA: Evanston City 16033, 20808 Rt. 19 North. 412-779-9600 Harrisburg 17112, 6060 Allentown Blvd. 717-545-0651 Lancaster 17601, 118 Keller Ave. 717-393-5251 Philadelphia 19103, 333 N. 20th St. 215-564-5520 Philadelphia (North) 19115, 9977-81 Bustleton Ave. 215-464-7771 Pittsburgh 15222, 840 E. 10th Blvd. 412-382-2700 Whitehall (Allentown) 18052, 18052 Main/Atmtr Rd. 610-435-9544 Wilkes-Barre 18702, 759 Kleiser Street. 717-824-5704	PUERTO RICO: Puerto Nuevo. 809-765-3535	RHODE ISLAND: See Seekonk, MA	SOUTH CAROLINA: Greenville 29607, 1557 Laurens Rd. 803-232-3038	TENNESSEE: Chattanooga 37421, 6231 Perimeter Drive, Space E. 615-894-5957 Knoxville 37917, 4118 N. Broadway. 615-888-0921 Memphis 38116, 1085 East Brooks Rd. 901-332-3444 Nashville 37211, 4811 Nolensville Rd. 615-833-8277	TEXAS: Amarillo 79106, 3008 West 6th Ave. 806-373-1531 Austin 78757, 6549 Burnet Rd. 512-459-1133 Dallas 75228, 2257 Royal Ln. 214-620-6655 El Paso 79915, 9622 Gateway East. 915-778-9769 Fort Worth 76117, 7121 North Beach St. 817-831-3828 Garland 75041, 719 E. Terminal Rd. 214-866-9302 Houston 77022, 535 E. Terminal Rd. 713-864-7111 Houston (S.W.) 77025, 8319 Stella Link Blvd. 713-864-9881 San Antonio 78201, 500 Culebra Ave. 210-732-1221 Webster 77598, 100 East Nassa Rd. One. 713-338-4556	UTAH: Salt Lake City 84115, 1541 S. Third West St. 801-486-5828	VIRGINIA: Falls Church 22046, 344 W. Broad St. 703-533-7313 Hampton 23666, 3416 W. Mercury Blvd. 804-826-9382 Norfolk 23513, 7631 Sewells Point Rd. 804-480-3333 Richmond 23222, 1424 Chamberlayne Ave. 804-649-9245	WASHINGTON: Seattle 98108, 421 S. Michigan St. 206-765-2010 Spokane 99208, N. 7011 Division St. 509-467-8190 Tacoma 98409, 2602 S. 38th St. 206-479-6040	WEST VIRGINIA: Charleston 25312, 1638 Sixth Ave. 304-343-0289	WISCONSIN: Milwaukee (Wauwatosa) 53226, 10424 West Bluemound Rd. 414-453-4240
--	--	--	--	---	--	---	--	--	--	--	--	--	---	--	---	--	--	---	--	--	--	--	---	---	--	--

ALBERTA
Edmonton T6E 6H6, 3845 99th St. 403-462-5005

BRITISH COLUMBIA
Vancouver V5M 3Y7, 1735 Boundary Rd. 604-291-9942

MANITOBA
Winnipeg R3H 0K3, 934 St. James St. 204-783-7294

NOVA SCOTIA
Halifax B3K 2A4, 6100 Young Street. 902-453-5090

ONTARIO
Brockville K6V 5W6, 100 Central Ave. 613-342-6641
Kanata K2L 1V3, 462 Hazeldean Rd #11 613-831-2332
Glencairn Plaza
London N6E 3A9, 981 Wellington Rd #6. 519-649-2407
Markham L3P 3J3, 9275 Hwy 48 Unit 12/13 905-472-6168
Mississauga L4X 1L3, 1480 Dundas St. E #7 905-277-0011
North York M3J 3G5, 48 Kodiak Cres 416-635-6740

QUEBEC
Brossard J4W 1M6, 5840 Boul Taschereau 514-462-4881
Montreal HTY 1B4, 3061 Belanger 514-722-1021

**FOR ADDITIONAL SERVICE LOCATIONS
CALL: 1-800-9-BD TOOL**

Black & Decker (U.S.) Inc. • 701 East Joppa Road, Towson, Maryland 21286

Printed in U.S.A. (APR95-CD-4) Form No. 159195-01 Copyright © 1994, 1995