

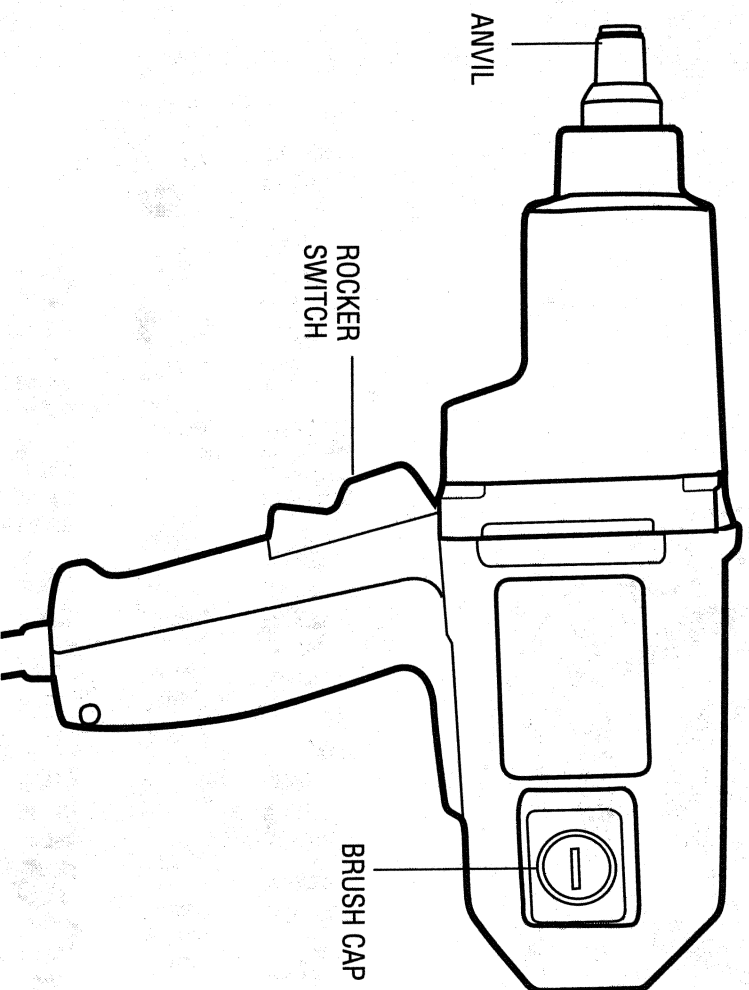
Instruction Manual
2670 • 2670G • 2675 • 6513
Impact Wrenches

Getting the most out of your tool.

Please take time to read this manual and pay particular attention to the safety rules we've provided for your protection. Don't forget to send in your owner's registration card. If you have any questions about your tool please call:

1-800-9-BD TOOL
(1-800-923-8665)

2670	1/2" (13mm) Impact Wrench with Detent Pin Retainer
2670G	1/2" (13mm) Impact Wrench with Detent Pin Retainer and Grounded Cordset
2675	3/4" (19mm) Impact Wrench with Detent Pin Retainer
6513	1/2" (13mm) Impact Wrench with Hog Ring Retainer



FOR YOUR SAFETY - ALL TOOLS

Important Safety Instructions

WARNING: When using electric tools, basic safety precautions should always be followed to reduce risk of fire, electric shock, and personal injury, including the following:

READ ALL INSTRUCTIONS

Double Insulation (2670, 2675, 6513)

Double insulated tools are constructed throughout with two separate layers of electrical insulation or one double thickness of insulation between you and the tool's electrical system. Tools built with this insulation system are not intended to be grounded. As a result, your tool is equipped with a two prong plug which permits you to use extension cords without concern for maintaining a ground connection.

NOTE: Double insulation does not take the place of normal safety precautions when operating this tool. The insulation system is for added protection against injury resulting from a possible electrical insulation failure within the tool.

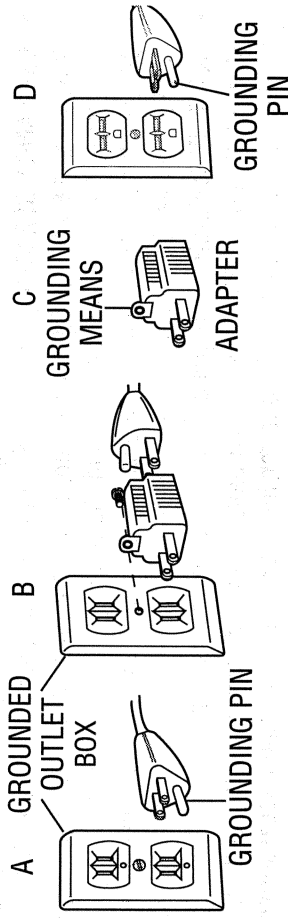
CAUTION: WHEN SERVICING USE ONLY IDENTICAL REPLACEMENT PARTS. Repair or replace damaged cords.

Polarized Plugs (2670, 2675, 6513)

Polarized plugs (one blade is wider than the other) are used on equipment to reduce the risk of electric shock. When provided, this plug will fit in the polarized outlet only one way. If the plug does not fit fully into the outlet, reverse the plug. If it still does not fit, contact a qualified electrician to install the proper outlet. Do not change the plug in any way.

Grounding Instructions (2670G)

This tool should be grounded while in use to protect the operator from electric shock. The tool is equipped with a 3-conductor cord and 3-prong grounding type plug to fit the proper grounding type receptacle. The green (or green and yellow) conductor in the cord is the grounding wire. Never connect the green (or green and yellow) wire to a live terminal. If your unit is intended for use on less than 150 V, it has a plug that looks like that shown in sketch A. If it is for use on 150 to 250 V, it has a plug that looks like that shown in sketch D. An adapter, sketches B and C, is available for connecting sketch A type plugs to 2-prong receptacles. The green-colored rigid ear, lug, or the like, extending from the adapter must be connected to a permanent ground, such as a properly grounded outlet box. No adapter is available for a plug as shown in sketch D. ADAPTER SHOWN IN FIGURES B and C IS NOT FOR USE IN CANADA. Use only 3-wire extension cords that have 3-prong grounding-type plugs and 3-pole receptacles that accept the tool's plug. Replace or repair damaged cords.



Safety Instructions For All Tools

- **KEEP WORK AREA CLEAN.** Cluttered areas and benches invite injuries.
- **CONSIDER WORK AREA ENVIRONMENT.** Don't expose power tools to rain. Don't use power tools in damp or wet locations. Keep work area well lit. Do not use tool in presence of flammable liquids or gases.
- **GUARD AGAINST ELECTRIC SHOCK.** Prevent body contact with grounded surfaces. For example: pipes, radiators, ranges, and refrigerator enclosures.
- **KEEP CHILDREN AWAY.** Do not let visitors contact tool or extension cord. All visitors should be kept away from work area.
- **STORE IDLE TOOLS.** When not in use, tools should be stored in dry, and high or locked-up place — out of reach of children.
- **DON'T FORCE TOOL.** It will do the job better and safer at the rate for which it was intended.
- **USE RIGHT TOOL.** Don't force small tool or attachment to do the job of a heavy-duty tool. Don't use tool for purpose not intended.
- **DRESS PROPERLY.** Do not wear loose clothing or jewelry. They can be caught in moving parts. Rubber gloves and non-skid footwear are recommended when working outdoors. Wear protective hair covering to contain long hair.
- **USE SAFETY GLASSES.** Also use face or dust mask if operation is dusty.
- **DON'T ABUSE CORD.** Never carry tool by cord or yank it to disconnect from receptacle. Keep cord from heat, oil, and sharp edges.
- **SECURE WORK.** Use clamps or a vise to hold work. It's safer than using your hand and it frees both hands to operate tool.
- **DON'T OVERREACH.** Keep proper footing and balance at all times.
- **MAINTAIN TOOLS WITH CARE.** Keep tools sharp and clean for better and safer performance. Follow instructions for lubricating and changing accessories. Inspect tool cords periodically and if damaged, have repaired by authorized service facility. Inspect extension cords periodically and replace if damaged. Keep handles dry, clean, and free from oil and grease.
- **DISCONNECT OR LOCK OFF TOOLS** when not in use, before servicing, and when changing accessories, such as blades, bits, cutters.
- **REMOVE ADJUSTING KEYS AND WRENCHES.** Form habit of checking to see that keys and adjusting wrenches are removed from tool before turning it on.

- **AVOID UNINTENTIONAL STARTING.** Don't carry tool with finger on switch. Be sure switch is off when plugging in.
- **EXTENSION CORDS.** Make sure your extension cord is in good condition. When using an extension cord, be sure to use one heavy enough to carry the current your product will draw. An undersized cord will cause a drop in line voltage resulting in loss of power and overheating. The following table shows the correct size to use depending on cord length and nameplate ampere rating. If in doubt, use the next heavier gage. The smaller the gage number, the heavier the cord.

Minimum Gage for Cord Sets			
Volts	Total Length of Cord in Feet	AWG	
120V	0-25	26-50	101-150
240V	0-50	51-100	101-200
			201-300
Amperage Rating			
More Than	Not more Than	AWG	
0	6	18	16
6	10	18	16
10	12	16	16
12	16	14	14
		12	12
		12	Not Recommended

- **OUTDOOR USE EXTENSION CORDS.** When tool is used outdoors, use only extension cords intended for use outdoors and so marked.
- **STAY ALERT.** Watch what you are doing. Use common sense. Do not operate tool when you are tired.
- **CHECK DAMAGED PARTS.** Before further use of the tool, a guard or other part that is damaged should be carefully checked to determine that it will operate properly and perform its intended function. Check for alignment of moving parts, binding of moving parts, breakage of parts, mounting, and any other conditions that may affect its operation. A guard or other part that is damaged should be properly repaired or replaced by an authorized service center unless otherwise indicated elsewhere in this instruction manual. Have defective switches replaced by authorized service center. Do not use tool if switch does not turn it on and off.

SAVE THESE INSTRUCTIONS

TOOL OPERATION

Motor

Your B&D tool is powered by a B&D built motor. Be sure your power supply agrees with the nameplate marking.

Voltage decrease of more than 10% will cause loss of power and overheating. All B&D tools are factory tested; if this tool does not operate, check the power supply.

Switch

(Figure 1) Pressing the bottom part of the switch runs the tool in forward (right hand thread) direction. Pressing the top of the switch reverses motor direction. This allows "rocking" fasteners to break them loose.

Anvil with Detent Pin (2670, 2670G, 2675)

To install a socket on the anvil, align the hole in the side of the socket with the detent pin on the anvil. Press the socket on until the detent pin engages in the hole. To remove a socket, depress the detent pin through the hole, using a small, pointed object, and pull the socket off.

Anvil with Hog Ring (6413 only)

To install a socket on the anvil, push firmly. To remove a socket, pull firmly.

Impact Time

Many variables exist that will cause the torque available on any fastener to vary considerably. The optimum impact time is about 6 seconds.

Capacity

1/2" impact wrenches use sockets with 1/2" square drive ends and 3/4" impact wrenches use sockets with 3/4" square drive ends. Both sizes of impact wrenches are capable of driving the same range of hex impact sockets available.

In particularly heavy duty usage, the 3/4" drive impact wrench has an extra long anvil that will resist breakage.

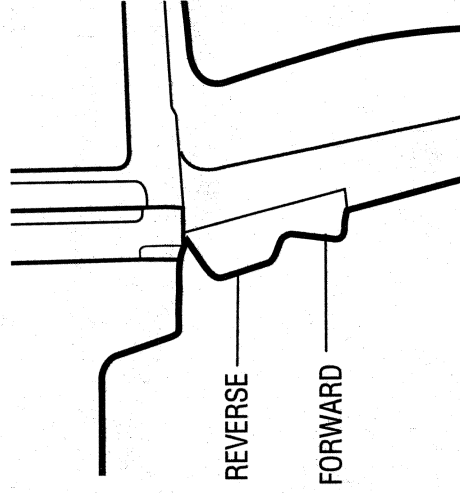


Figure 1

Accessories

Recommended accessories for use with your tool are available at extra cost from your distributor or local service center. A complete listing of service centers is included with your tool. **CAUTION:** The use of any non-recommended accessory may be hazardous.

If you need any assistance in locating any accessory call 1-800-9-BD TOOL: (1-800-923-8665) or contact Black & Decker (U.S.) Inc., Consumer Services Department, 626 Hanover Pike, P.O. Box 618, Hampstead, MD 21074.

Lubrication

Your tool was properly lubricated before leaving the factory. In from two to six months, depending upon use, take or send your tool to a B&D authorized service center for a complete cleaning, inspection and relubrication.

Tool used constantly on production or heavy duty jobs or exposed to heat may require more frequent lubrication. Tools "out of service" for long periods should be relubricated before being put back into service.

IMPORTANT!

To assure product safety and reliability, particularly for double insulated tools, repairs, maintenance and adjustment (excluding maintenance described in this manual) should be performed by B&D service centers or authorized service centers, using identical B&D replacement parts.

Every B&D tool is of the highest quality.

If you wish to contact us regarding this product, please call toll free between 8:00am and 8:00pm ET, seven days a week:

1-800-9-BD TOOL

(1-800-923-8665)

One Year Free Maintenance

All B&D tools for Industry and Construction are covered under a service/safety check program where B&D will inspect your tool for safety and provide necessary maintenance or repairs, including normal wear and tear parts, for one year, FREE OF CHARGE.

Full Warranty

All B&D tools for Industry and Construction are warranted to be free of any defects in materials or workmanship. Upon thorough examination of tool, B&D will repair or replace, at our option, any product that is determined to be defective.

Conditions

The service/safety check and the warranty do not apply to: repairs made or attempted by anyone other than an authorized B&D service location; misuse, abuse, neglect, improper application of the tool; missing parts; or normal wear and tear (after first year of ownership). Please return the complete unit, transportation prepaid, to any B&D factory owned or B&D authorized service center location (list provided with tool or see Yellow Pages under "Tools Electric").

YOUR POWER TOOLS MAY BE SERVICED AT THE FOLLOWING B&D SERVICE CENTERS.

ALABAMA:	Birmingham 35209, 2412 Green Springs Hwy.	205-942-0538	OHIO (CONT'D)	Parma Heights (Cleveland) 44130, 6483 Pearl Road.	216-842-9100	
	Mobile 36608, 3631 Airport Blvd.	205-343-6624		Toledo 43607, 3231 Dorr St.	419-531-8921	
ALASKA:	Anchorage 99518, 910 West International Airport Rd.	907-563-4664	OKLAHOMA:	Oklahoma City 73106, 1318 Linwood Blvd.	405-232-7515	
				Tulsa 74145, 3120 S. Sheridan Rd.	918-625-5666	
ARIZONA:	Mesa 85202, 535 S. Dobson, Suite 7.	602-461-1074	OREGON:	Portland 97209, 1640 N.W. Johnson St.	503-228-8631	
	Phoenix 85013, 4501 N. 7th Avenue.	602-279-6414	PENNSYLVANIA:	Evans City 16039, 20808 Rt. 19 North.	412-779-9600	
	Tucson 85712, 4845 E. Speedway Blvd.	602-323-3388		Harrisburg 17112, 6060 Allentown Blvd.	717-545-0651	
ARKANSAS:	Little Rock 72201, 519 W. Seventh St.	501-372-3040		Lancaster 17601, 118 Keller Ave.	717-393-5251	
CALIFORNIA:	Anaheim 92806, 540 South State College Blvd.	714-772-4050		Philadelphia 19103, 333 N. 20th St.	215-564-5520	
	Chula Vista 91910, 309 Broadway.	619-420-6350		Philadelphia (North) 19115, 9977-81 Bustleton Ave.	215-464-7771	
	Concord 94520, 1500 Monument Blvd., #C2.	510-662-4880		Pittsburgh 15232, 5437 Baum Blvd.	412-362-2700	
	Fresno 93710, 5412 North Blackstone Ave.	209-435-0810		Whitehall (Allentown) 18052, 2242 MacArthur Rd.	610-435-9544	
	Long Beach 90805, 2011 South St.	310-422-5825	PUERTO RICO:	Wilkes-Barre 18702, 759 Kidder Street.	717-824-5704	
	Los Angeles 90040, 4820 South Eastern Ave., Suite "L".	213-720-1834		Puerto Nuevo.	809-783-3535	
	Riverside 92506, 6215 Magnolia Ave., Suite "B".	909-787-9700	RHODE ISLAND:	See Seekonk, MA		
	Sacramento 95625, 2033 Fulton Ave.	916-972-9090	SOUTH CAROLINA:	Greenville 29607, 1557 Laurens Rd.	803-232-3038	
	San Diego 92123, 9270 Clairemont Mesa Blvd.	619-279-2011	TENNESSEE:	Chattanooga 37421, 6231 Perimeter Drive, Space E.	615-894-5957	
	San Jose 95128, 1185 So. Bascom Ave.	408-293-7350		Knoxville 37917, 4118 N. Broadway.	615-688-0921	
	San Leandro 94578, 15206 E. 14th St.	510-276-1610		Memphis 38116, 1085 East Brooks Rd.	901-332-3444	
	Van Nuys 91411, 14920 Victory Blvd.	818-787-5531		Nashville 37211, 4811 Nolensville Rd.	615-833-8277	
COLORADO:	Denver 80219, 1171 S. Federal Blvd.	303-922-8925	TEXAS:	Amarillo 79106, 3008 West 6th Ave.	806-373-1531	
CONNECTICUT:	Orange 06477, 481 Boston Post Rd.	203-795-3583		Austin 78757, 6549 Burnet Rd.	512-459-1133	
	Wethersfield (Hartford) 06109, 662 Silius Dean Hwy.	203-563-5800		Dallas 75229, 2257 Royal Ln.	214-620-6685	
DISTRICT OF COLUMBIA: Washington	Colmar Manor 20722, 4153 Bladensburg Rd.	301-779-3808		El Paso 79915, 6822 Gateway East.	915-778-9789	
	Falls Church, VA 22046, 344 W. Broad St.	703-533-7313		Fort Worth 76111, 721 North Beach St.	817-831-3828	
FLORIDA:	Ft. Lauderdale 33334, 799 E. Oakland Pk. Blvd.	305-566-5102		Garland 75043, 718 W. Centerville Rd.	214-686-9302	
	Ft. Myers 33907, 5224 Bank Street.	813-278-1188		Houston 77022, 536 E. Tidwell Rd.	713-692-7111	
	Jacksonville 32205, 920 Cassat Ave.	904-781-2253		Houston (S.W.) 77025, 9319 Stella Link Blvd.	713-664-3666	
	Miami (North) 33166, 13345 N.W. Seventh Ave.	305-681-6658		San Antonio 78201, 500 Culebra Ave.	210-732-1221	
	Miami (South) 33156, 12233 So. Dixie Hwy.	305-232-9497		Webster 77598, 100 East Nasa Rd. One.	713-338-4556	
	Orlando 32803, 3807 E. Colonial Dr.	407-894-7011	UTAH:	Salt Lake City 84115, 1541 S. Third West St.	801-486-5828	
	St. Petersburg 33709, 5635 49th St. N.	813-875-0273	VIRGINIA:	Falls Church 22046, 344 W. Broad St.	703-533-7313	
	Tampa 33609, 3432 W. Kennedy Blvd.	813-872-8317		Hampton 23666, 3416 W. Mercury Blvd.	804-826-9382	
	West Palm Beach 33415, 310 South Military Trail.	407-689-8327		Norfolk 23513, 7631 Sewells Point Rd.	804-480-3333	
GEORGIA:	Atlanta (South) 30349, 5330 Old National Hwy.	404-762-8844		Richmond 23222, 1424 Chamberlayne Ave.	804-649-9245	
	Smyma 30080, 2550 Cobb Pkwy.	404-956-0669		WASHINGTON:	Seattle 98108, 421 S. Michigan St.	206-763-2010
	Stone Mountain (Atlanta) 30086, 5723 Memorial Dr.	404-292-4714		Spokane 99208, N. 7011 Division St.	509-467-8190	
HAWAII:	Honolulu 96819, 330 Sand Island Access Road.	808-847-7447		Tacoma 98409, 2602 S. 36th St.	206-473-6040	
ILLINOIS:	Des Plaines (Chicago) 60018, 1277 South Elmhurst Rd.	708-364-5220		WEST VIRGINIA:	Charleston 25312, 1638 Sixth Ave.	304-343-0289
	Lincolnwood (Chicago) 60646, 6710 N. Crawford Ave.	708-873-0923		WISCONSIN:	Milwaukee (Wauwatosa) 53226, 10424 West Bluemound Rd.	414-453-4240
	Lisle (West Chicago) 60532, 2950 Ogden Ave., Unit H.	708-717-1075				
	Moline 61265, 4433 23rd Ave.	309-762-3000				
	Oak Lawn (Chicago) 60453, 6343 W. 95th St.	708-423-7212				
	Waukegan 60085, 39 S. Greenbay Rd.	708-249-4390				
INDIANA:	Evansville 47710, 307 First Ave., Crescent Cir.	812-425-4269				
	Hammond 46323, 7103 Kennedy Ave.	219-845-5100				
	Indianapolis 46224, 5999 Crawfordsville Rd.	317-243-8308				

ALBERTA

Edmonton T6E 6H6, 3845 99th St. 403-462-5005

BRITISH COLUMBIA

Vancouver V5M 3Y7, 1735 Boundary Rd. 604-291-9942

MANITOBA

Winnipeg R3H 0K3, 934 St. James St. 204-783-7294

NOVA SCOTIA

Halifax B3K 2A4, 6100 Young Street. 902-453-5090

ONTARIO

Brockville K6V 5W6, 100 Central Ave. 613-342-6641

Kanata K2L 1V3, 462 Hazeldean Rd #11 613-831-2332

Glencairn Plaza

London N6E 3A9, 981 Wellington Rd #6. 519-649-2407

Markham L3P 3J3, 9275 Hwy 48 Unit 12/13 ... 905-472-6168

Mississauga L4X 1L3, 1480 Dundas St. E #7. 905-277-0011

North York M3J 3G5, 48 Kodiak Cres. 416-635-6740

QUEBEC

Brossard J4W 1M6, 5840 Boul Taschereau ... 514-462-4881

Montreal H1Y 1B4, 3061 Belanger. 514-722-1021

**FOR ADDITIONAL SERVICE LOCATIONS
CALL: 1-800-9-BD TOOL**

Black & Decker (U.S.) Inc. • 701 East Joppa Road, Towson, Maryland 21286
Printed in U.S.A. (MAY95-CD-2) Form No. 159202-01 Copyright © 1994, 1995