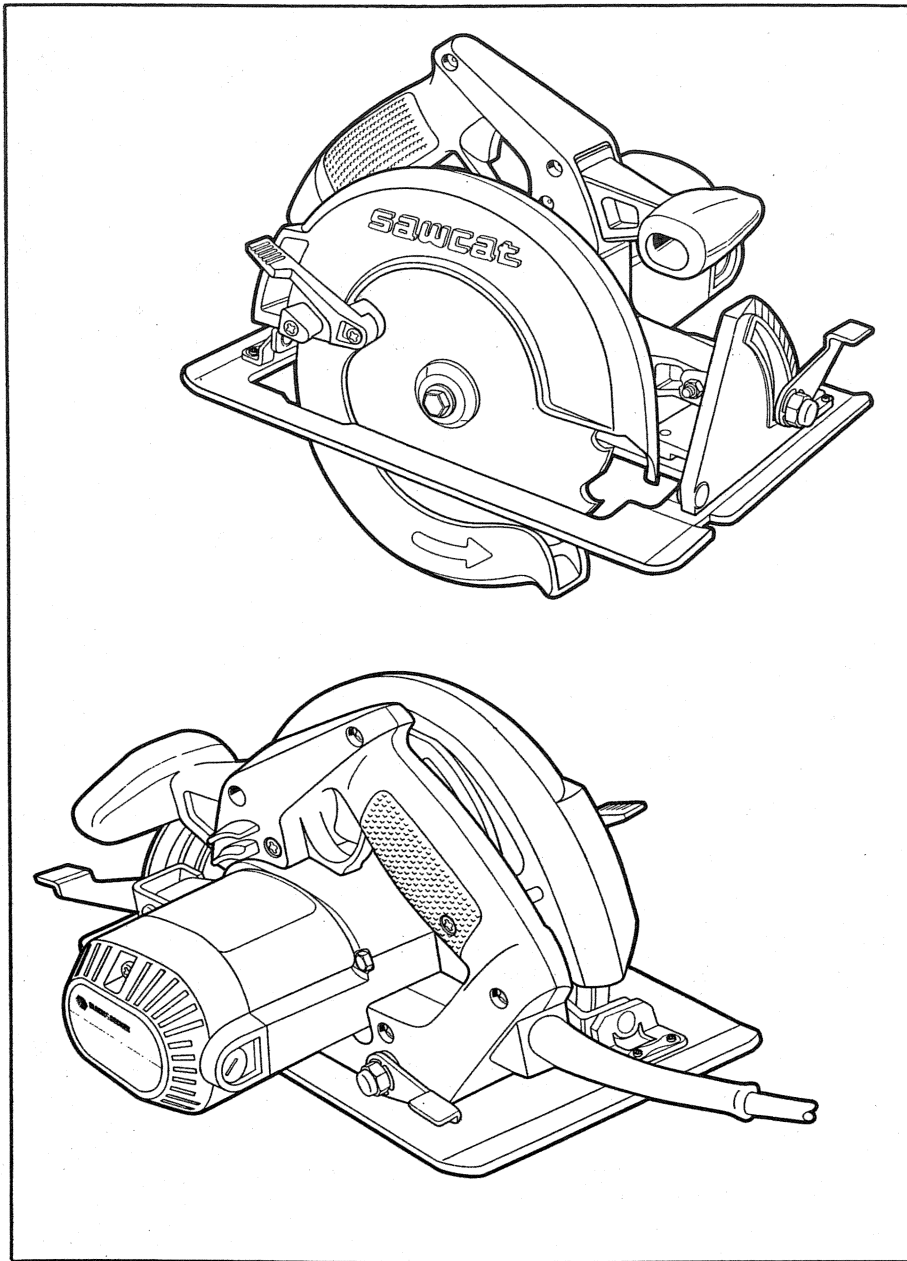




BLACK & DECKER®



Instruction Manual

SAWCAT® Circular Saws

180mm (7-1/4")

Models 3057-04, 3060-04

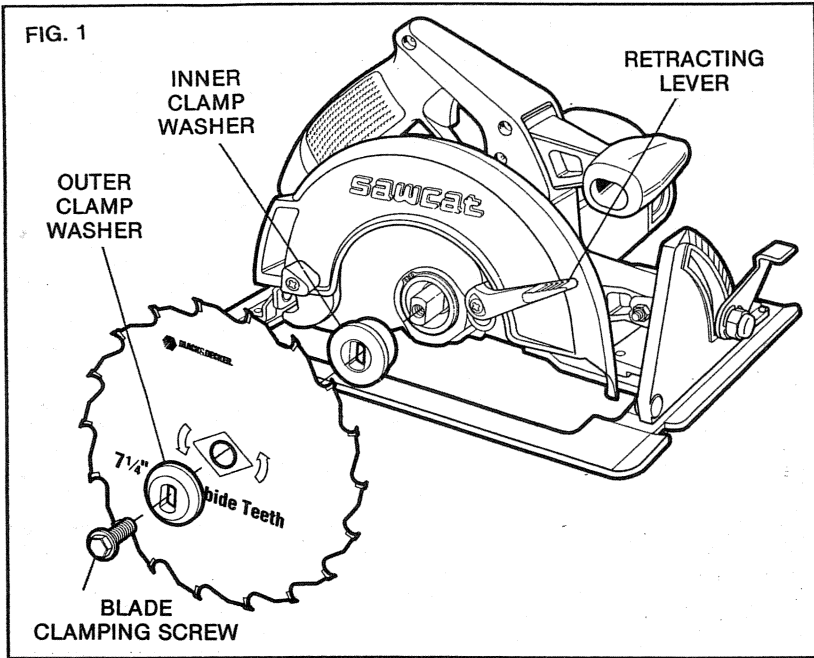
IMPORTANT SAFETY INSTRUCTIONS

WARNING: When using Electric Tools, basic safety precautions should always be followed to reduce risk of fire, electric shock, and personal injury, including the following:

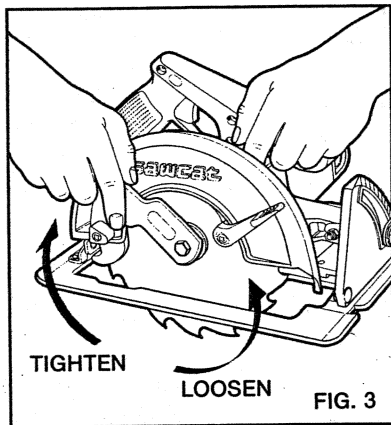
READ ALL INSTRUCTIONS

1. **KEEP WORK AREA CLEAN.** Cluttered areas and benches invite injuries.
2. **CONSIDER WORK AREA ENVIRONMENT.** Don't expose power tools to rain. Don't use power tools in damp or wet locations. Keep work area well lit.
3. **GUARD AGAINST ELECTRIC SHOCK.** Prevent body contact with grounded surfaces. For example: pipes, radiators, ranges, refrigerator enclosures.
4. **KEEP CHILDREN AWAY.** All visitors should be kept away from work area. Do not let visitors contact tool or extension cord.
5. **STORE IDLE TOOLS.** When not in use, tools should be stored in dry, and high or locked-up place —out of reach of children.
6. **DON'T FORCE TOOL.** It will do the job better and safer at the rate for which it was intended.
7. **USE RIGHT TOOL.** Don't force small tool or attachment to do the job of a heavy-duty tool. Don't use tool for purpose not intended, for example, don't use circular saw for cutting tree limbs or logs.
8. **DRESS PROPERLY.** Do not wear loose clothing or jewelry. They can be caught in moving parts. Rubber gloves and non-skid footwear are recommended when working outdoors. Wear protective hair covering to contain long hair.
9. **USE SAFETY GLASSES.** Also use face or dustmask if cutting operation is dusty.
10. **DON'T ABUSE CORD.** Never carry tool by cord or yank it to disconnect from receptacle. Keep cord from heat, oil, and sharp edges.
11. **SECURE WORK.** Use clamps or a vise to hold work. It's safer than using your hand and it frees both hands to operate tool.
12. **DON'T OVERREACH.** Keep proper footing and balance at all times.
13. **MAINTAIN TOOLS WITH CARE.** Keep tools sharp and clean for better and safe performance. Follow instructions for lubricating and changing accessories. Inspect tool cords periodically and if damaged have repaired by authorized service facility. Inspect extension cords periodically and replace if damaged. Keep handles dry, clean and free from oil and grease.
14. **DISCONNECT TOOLS.** When not in use, before servicing, and when changing accessories, such as blades, bits, cutters.
15. **REMOVE ADJUSTING KEYS AND WRENCHES.** Form habit of checking to see that keys and adjusting wrenches are removed from tool before turning it on.
16. **AVOID UNINTENTIONAL STARTING.** Don't carry plugged-in tool with finger on switch. Be sure switch is off when plugging in.
17. **OUTDOOR USE EXTENSION CORDS.** When tool is used outdoors, use only extension cords intended for use outdoors and so marked.
18. **STAY ALERT.** Watch what you are doing. Use common sense. Do not operate tool when you are tired.
19. **CHECK DAMAGED PARTS.** Before further use of the tool, a guard or other part that is defective should be carefully checked to determine that it will operate properly and perform its intended function. Check for alignment of moving parts, binding of moving parts, breakage of parts, mounting and any other conditions that may affect its operation. A guard or other part that is damaged should be properly repaired or replaced by an authorized service centre unless otherwise indicated elsewhere in this instruction manual. Have defective switches replaced by authorized service centre. Do not use tool if switch does not turn it on and off.
20. **DO NOT OPERATE** portable electric tools near flammable liquids or in gaseous or explosive atmospheres. Motors in these tools normally spark, and the sparks might ignite fumes.

SAVE THESE INSTRUCTIONS FOR FUTURE USE.



When removing the blade, first unplug the saw. Engage the blade lock and unscrew the blade clamping screw by turning it counter-clockwise with the blade wrench. (Fig. 3)



CUTTING DEPTH ADJUSTMENT
DISCONNECT PLUG FROM POWER SUPPLY.

Hold the Saw firmly as shown in Figure 4. Loosen (counterclockwise) the Depth Adjustment Lever and move shoe to obtain the desired depth of cut, as shown in

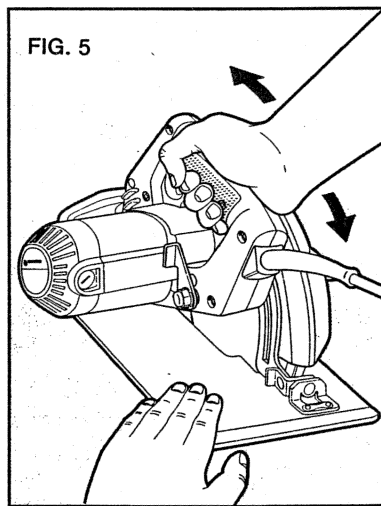
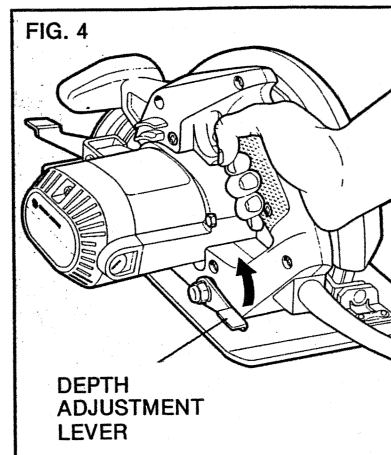


Figure 5. Make sure Depth Adjustment Lever has been retightened (clockwise) before operating saw.

For the most efficient cutting action, set the Depth Adjustment so that one tooth of the blade will project below the material to be cut. This distance is from the tip of the tooth to the bottom of the gullet in front of it. This keeps blade friction at a minimum, removes sawdust from the cut, results in cooler, faster sawing and reduces the chance of kickback.

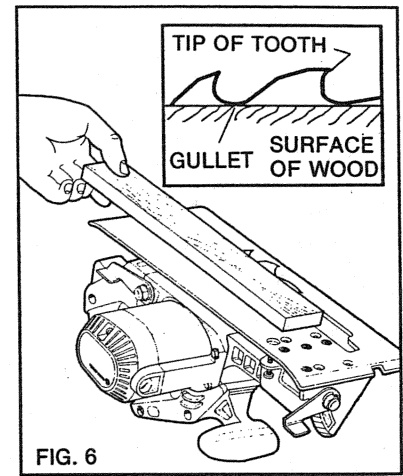
A method for checking for correct cutting depth is shown in Figure 6. Note that one tooth of the blade projects above a scrap piece of the lumber to be cut.

NOTE: When using Carbide-Tipped Blades, make an exception to the above rule and allow only one-half of a tooth to project above the material to be cut.

BEVEL ANGLE ADJUSTMENT

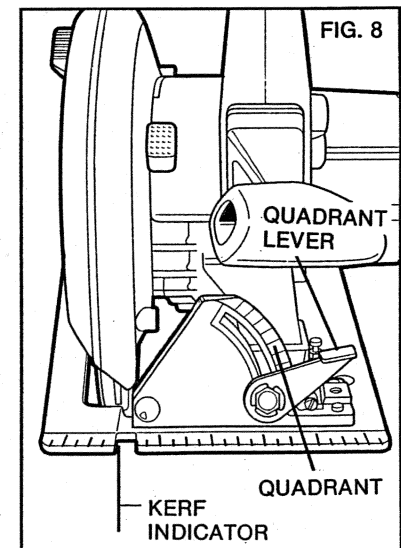
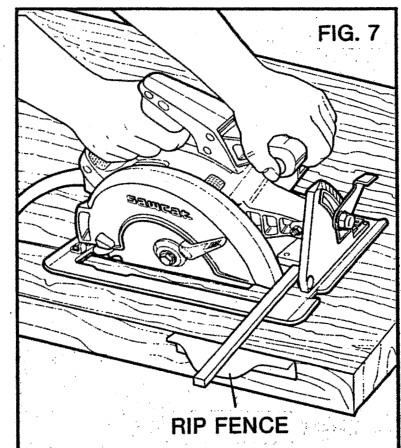
DISCONNECT THE SAW FROM THE POWER SUPPLY.

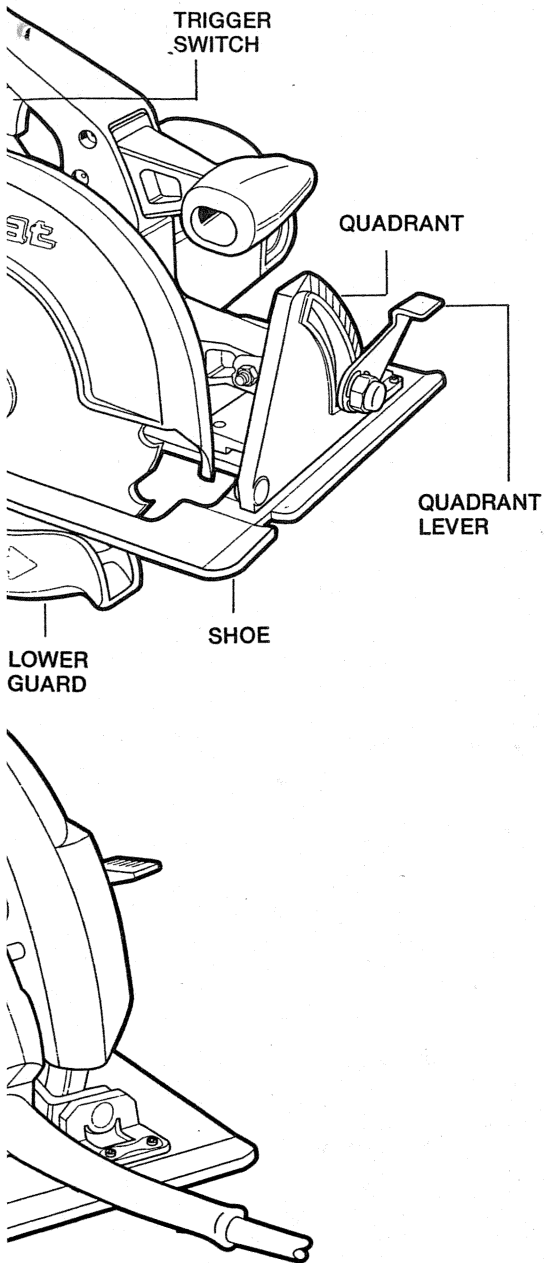
The full range of the Bevel Adjustment is from 0 TO 50 DEGREES. The quadrant is graduated in increments of 5 degrees.



On the front of the saw is a bevel angle adjustment mechanism (Figure 8) consisting of calibrated quadrant and a lever. To set the saw for a bevel cut, loosen (counterclockwise) the quadrant lever and tilt shoe to the desired angle by aligning the pointer with the desired angle mark. Retighten lever firmly (clockwise).

Align the quadrant pointer with the desired mark on the quadrant. The quadrant pointer, located between the quadrant lever and the quadrant, can be adjusted after loosening its screw. Retighten firmly after adjustment.





Operation SWITCH

Pull the trigger switch to turn the motor "ON". Releasing the trigger turns the motor "OFF". Releasing the trigger also automatically actuates the electric brake on units so equipped.

This tool has no provision to lock the switch in the "ON" position, and should never be locked "ON" by any other means.

WORKPIECE SUPPORT

Figure 15 shows proper sawing position. Note that hands are kept away from cutting area, and power cord is positioned clear of the cutting area and so that it will not get caught or hung up on the work.

To avoid kickback, DO support board or panel NEAR the cut, (Figure 16). DON'T support board or panel away from the cut, (Figure 17).

When operating the saw, keep the cord away from the cutting area and prevent it from becoming hung up on the work piece. Note that a special Cord Keeper has been provided on the tool's handle.

WARNING: It is important to support the work properly and to hold the saw firmly to prevent loss of control which could cause personal injury; Figure 18 illustrates typical hand support of the saw.

ALWAYS DISCONNECT SAW BEFORE MAKING ANY ADJUSTMENTS! Place the work with its "good" side — the one on which appearance is most important — down. The saw cuts upward, so any splintering will be on the work face that is up when you saw it.

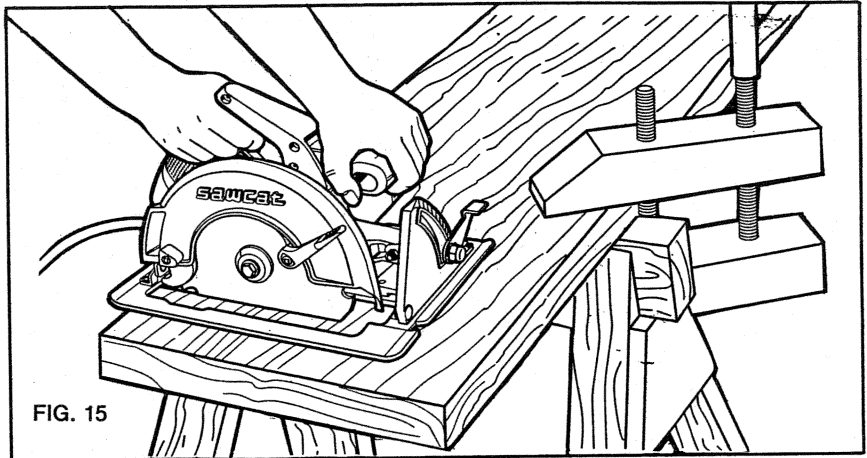


FIG. 15

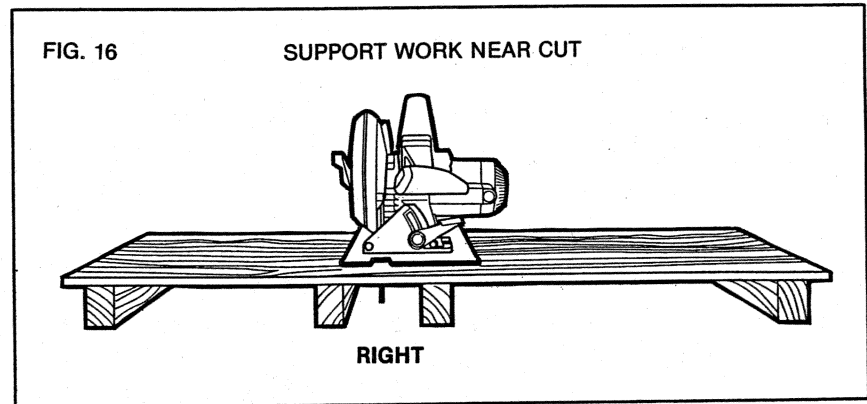


FIG. 16

SUPPORT WORK NEAR CUT

RIGHT

3. Remove the lever and rotate it in the desired direction about 1/8 revolution. (More or less as necessary.)
4. Reinstall the lever and insert the lock ring to hold it in place.

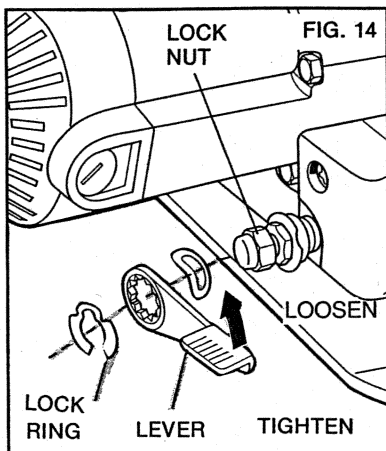


FIG. 14

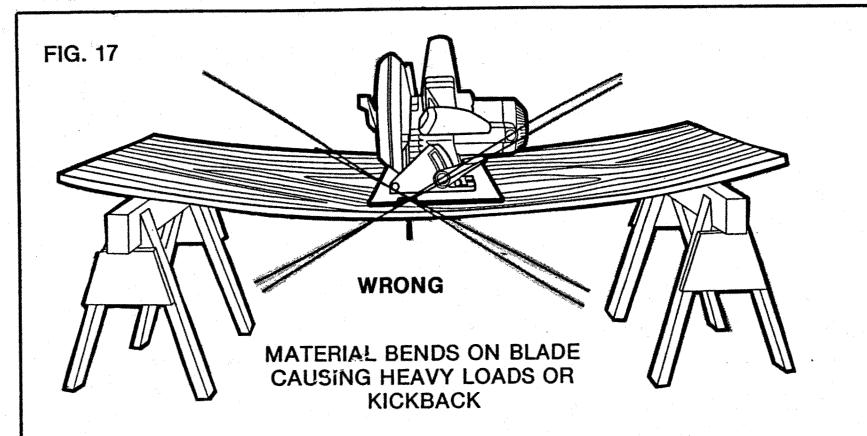


FIG. 17

WRONG

MATERIAL BENDS ON BLADE CAUSING HEAVY LOADS OR KICKBACK

Blades

A dull blade will cause slow, inefficient cutting overload on the saw motor, excessive splintering and could increase the possibility of kickback. It is a good practice to keep extra blades on hand so that sharp blades are available while the dull ones are being sharpened (See "SAWS-SHARPENING" in the Yellow Pages). In fact, many lower priced blades can be replaced with new ones at very little cost

over the sharpening price.

Hardened gum on the blade will slow down the cutting. This gum can best be removed with trichlorethylene, kerosene or turpentine.

Black & Decker manufactures a complete line of saw blades and the following types of blades are available from your dealer.

BLADE TYPE
COMBINATION - For general-purpose ripping and cutting
CROSS-CUT - For smoother, faster cross-cutting
RIPPING - For fast rip cuts
PLYWOOD - For smooth cuts in plywood. Reduce splintering.
FRAMING/RIP - For facing, roofing, siding, sub-flooring, framing, form cutting.
PLANER - For very smooth ripping and cross-cutting.
FRICITION - For cutting corrugated, galvanized sheets.
METAL-CUTTING - For cutting aluminum, copper, lead and other soft metals.
FLOORING - For sawing where nails may be occasionally encountered.
CARBIDE-TIPPED - For longest sawing without blade sharpening. Cuts wood, Transite, Cemesto board, Asbestos, Formica, Masonite, and similar materials.

Accessories

The accessories listed in this manual are available at extra cost from your local dealer or Black & Decker Service Centre. A complete listing of service centres is included on the depot listing card packed with your tool.

If you need assistance in locating any accessory, please contact:

Black & Decker Canada Inc.
Consumer Service Department
100 Central Ave.
P.O. Box 618
Brockville, Ont.
K6V 5W6

Every Black & Decker tool is of the highest quality.

- A. RIP FENCE... Attaches to top of Saw shoe. Permits rip cuts without penciled guide line.
- B. SAW PROTRACTOR... Guides Saw for accurate cut-off work. Adjusts from 0 to 70 degrees.
- C. CUT-OFF GUIDE... For 90 degree or 45 degree cuts.
- D. CARRYING CASE... Protects your Saw. Keeps blades, extension cords, etc. handy on the job.
- E. SAFETY SPECTACLES... Designed to fit over standard glasses.
- F. FILTER MASK

CAUTION: Recommended accessories and saw blades for your Saw are listed in this manual. The use of any other accessory or attachment may be hazardous.

Cleaning & Lubrication

Use only mild soap and a damp cloth to clean the tool. Many household cleaners contain chemicals which could seriously damage plastic. Also, do not use gasoline, turpentine, lacquer or paint thinner, dry cleaning fluids or similar products. Never let any liquid get inside the tool; never immerse any part of the tool into a liquid.

Self-lubricating bearings are used in the tool and relubrication is not required. However, it is recommended that, once a year, you take or send the tool to a B & D Service Centre for a thorough cleaning, inspection and lubrication of the gear case.

Important!

To assure product SAFETY and RELIABILITY, particularly for Double Insulated tools, repairs, maintenance and adjustment (excluding maintenance described in this manual) should be performed by BLACK & DECKER Service Centres or other qualified service organizations, always using identical BLACK & DECKER replacement parts.

ONE YEAR WARRANTY — PROFESSIONAL

Black & Decker warrants for one year from date of purchase to correct by repair or parts replacement without charge, any product defect due to faulty material or workmanship in professional heavy-duty and air tools, home workshop tools used in commercial service, professional stationary tools, or tools used in rental service. Simply return the complete unit, transportation prepaid to Black & Decker Service Centre or Authorized Service Station. Black & Decker assumes no responsibility for damage or faulty performance caused by misuse, careless handling, or where repairs have been made, or attempted by others. No other warranties, written or verbal, are authorized.

Note: This warranty and related provisions set out above may not be applicable in certain provinces.