

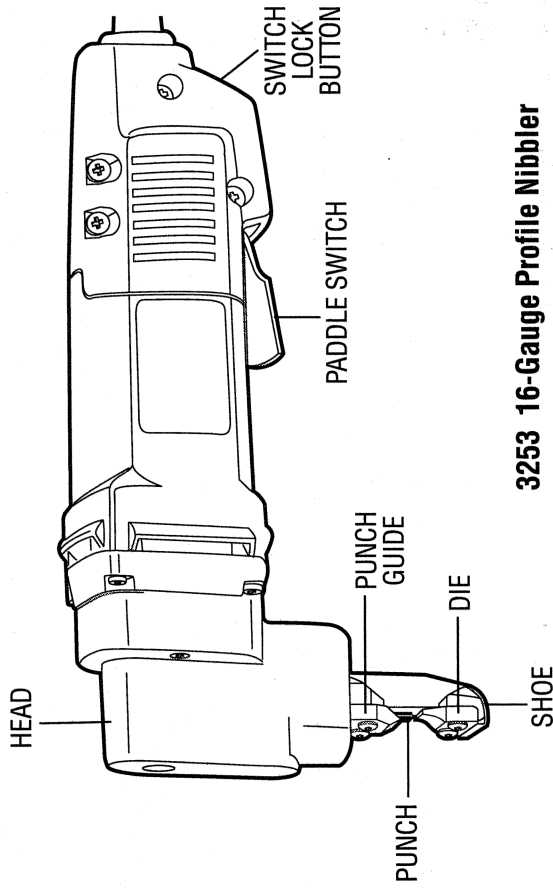
Instruction Manual

3253 16-Gauge Profile Nibbler

Getting the most out of your tool.

Please take time to read this manual and pay particular attention to the safety rules we've provided for your protection. If you have any questions about your tool please call:

1-800-9-BD TOOL
(1-800-923-8665)



3253 16-Gauge Profile Nibbler

IMPORTANT SAFETY INSTRUCTIONS

Important Safety Instructions

WARNING: When using electric tools, basic safety precautions should always be followed to reduce risk of fire, electric shock, and personal injury, including the following:

READ ALL INSTRUCTIONS

Double Insulation

Double insulated tools are constructed throughout with two separate layers of electrical insulation or one double thickness of insulation between you and the tool's electrical system. Tools built with this insulation system are not intended to be grounded. As a result, your tool is equipped with a two prong plug which permits you to use extension cords without concern for maintaining a ground connection.

NOTE: Double insulation does not take the place of normal safety precautions when operating this tool. The insulation system is for added protection against injury resulting from a possible electrical insulation failure within the tool.

CAUTION: WHEN SERVICING USE ONLY IDENTICAL REPLACEMENT PARTS. Repair or replace damaged cords.

Polarized Plugs

Polarized plugs (one blade is wider than the other) are used on equipment to reduce the risk of electric shock. When provided, this plug will fit into a polarized outlet only one way. If the plug does not fit fully into the outlet, reverse the plug. If it still does not fit, contact a qualified electrician to install the proper outlet. Do not change the plug in any way.

Safety Instructions For All Tools

- **KEEP WORK AREA CLEAN.** Cluttered areas and benches invite injuries.
- **CONSIDER WORK AREA ENVIRONMENT.** Don't expose power tools to rain. Don't use power tools in damp or wet locations. Keep work area well lit. Do not use tool in presence of flammable liquids or gases.
- **GUARD AGAINST ELECTRIC SHOCK.** Prevent body contact with grounded surfaces. For example; pipes, radiators, ranges, and refrigerator enclosures.
- **KEEP CHILDREN AWAY.** Do not let visitors contact tool or extension cord. All visitors should be kept away from work area.
- **STORE IDLE TOOLS.** When not in use, tools should be stored in dry, and high or locked-up place — out of reach of children.
- **DON'T FORCE TOOL.** It will do the job better and safer at the rate for which it was intended.
- **USE RIGHT TOOL.** Don't force small tool or attachment to do the job of a heavy-duty tool. Don't use tool for purpose not intended.
- **DRESS PROPERLY.** Do not wear loose clothing or jewelry. They can be caught in moving parts. Rubber gloves and non-skid footwear are recommended when working outdoors. Wear protective hair covering to contain long hair.
- **USE SAFETY GLASSES.** Also use face or dust mask if operation is dusty.
- **DON'T ABUSE CORD.** Never carry tool by cord or yank it to disconnect from receptacle. Keep cord from heat, oil, and sharp edges.
- **SECURE WORK.** Use clamps or a vise to hold work. It's safer than using your hand and it frees both hands to operate tool.
- **DON'T OVERREACH.** Keep proper footing and balance at all times.
- **MAINTAIN TOOLS WITH CARE.** Keep tools sharp and clean for better and safer performance. Follow instructions for lubricating and changing accessories. Inspect tool cords periodically and if damaged, have repaired by authorized service facility. Inspect extension cords periodically and replace if damaged. Keep handles dry, clean, and free from oil and grease.
- **DISCONNECT OR LOCK OFF TOOLS** when not in use, before servicing, and when changing accessories, such as blades, bits, cutters.
- **REMOVE ADJUSTING KEYS AND WRENCHES.** Form habit of checking to see that keys and adjusting wrenches are removed from tool before turning it on.
- **AVOID UNINTENTIONAL STARTING.** Don't carry tool with finger on switch. Be sure switch is off when plugging in.

- **EXTENSION CORDS.** Make sure your extension cord is in good condition. When using an extension cord, be sure to use one heavy enough to carry the current your product will draw. An undersized cord will cause a drop in line voltage resulting in loss of power and overheating. The following table shows the correct size to use depending on cord length and nameplate ampere rating. If in doubt, use the next heavier gage. The smaller the gage number, the heavier the cord.

Minimum Gage for Cord Sets	
Volts	Total Length of Cord in Feet
120V	0-25
240V	0-50
	51-100
	101-200
	201-300

Ampere Rating	AWG
More Than	Not more Than
0	6
6	10
10	12
12	16
	18
	16
	16
	14
	12
	12
	Not Recommended

- **OUTDOOR USE EXTENSION CORDS.** When tool is used outdoors, use only extension cords intended for use outdoors and so marked.
- **STAY ALERT.** Watch what you are doing. Use common sense. Do not operate tool when you are tired.
- **CHECK DAMAGED PARTS.** Before further use of the tool, a guard or other part that is damaged should be carefully checked to determine that it will operate properly and perform its intended function. Check for alignment of moving parts, binding of moving parts, breakage of parts, mounting, and any other conditions that may affect its operation. A guard or other part that is damaged should be properly repaired or replaced by an authorized service center unless otherwise indicated elsewhere in this instruction manual. Have defective switches replaced by authorized service center. Do not use tool if switch does not turn it on and off.
- **CAUTION:** When drilling or driving into walls, floors or wherever live electrical wires may be encountered, DO NOT TOUCH ANY METAL PARTS OF THE TOOL! Hold the tool only by insulated grasping surfaces to prevent electric shock if you drill or drive into a live wire.

SAVE THESE INSTRUCTIONS

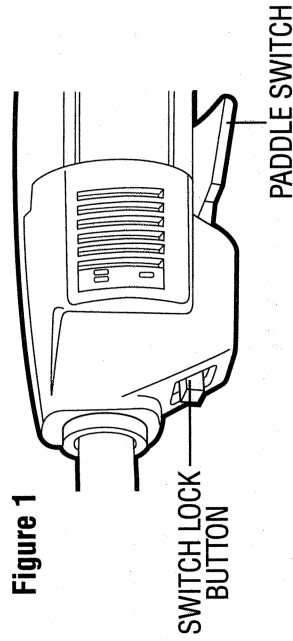
Operating Rules for Shears

1. Always wear safety glasses and protective gloves.
2. Wear safety shoes to protect your feet from sharp metal debris on floor.
3. Cut material at or below rated capacity. Remember, material thickness increases as gauge number decreases (14 gauge is thicker than 16 gauge). 14 gauge thickness is .075"; 16 gauge is .060".
4. Keep all screws tight. Periodically check them for loosening.
5. Unplug tool before making any adjustments.
6. Do not put anything into a motor housing opening.
7. Keep tool clean. Blow off any metal debris and dirt from tool.
8. Firmly secure the piece of metal to be cut to prevent movement during cutting.

Paddle Switch

To start the tool, depress the paddle switch. To turn the tool off, release the paddle. The switch can be locked on by engaging the lock button located near the rear of the tool while holding the paddle depressed. Always be sure that the tool is not locked on before plugging it in. To turn the tool off when it is locked on, squeeze and release the paddle once.

Figure 1



Operation

TURN OFF TOOL AND DISCONNECT FROM POWER SUPPLY BEFORE MAKING ANY ADJUSTMENTS. Always wear safety glasses and protective gloves.

Lubricate surface of material with oil. The profile nibbler is designed to cut corrugated, flat, and box steel forms.

The tool is factory assembled with the punch oriented forward for cutting flat and shallow corrugated material. To cut deeper corrugated metals and box sections, rotate the head 90° to either side to use tool sideways.

The shoe can be aligned in three positions: left, forward, and right. (See Figure 2).

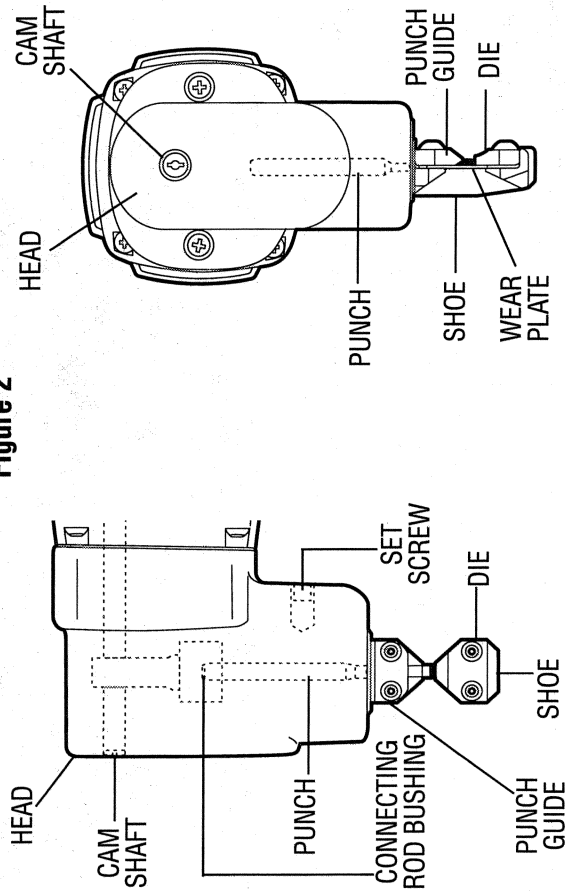
To rotate the head, loosen the set screw. Turn the head in the desired direction. **NOTE:** Do not rotate the head in a complete circle as this will change the punch engagement in the die.

Rotate the shoe and turn the set screw in until you feel the set screw engage a recess in the shoe. Tighten the set screw firmly. Periodically recheck this screw for tightness.

Sharpening Punches

Never cut with a blunt, dull punch or die. Punches can be sharpened up to 1/8" (3mm). To remove the punch, loosen the head set screw about 4-5 turns (See Figure 2). Slide the shoe assembly from the head. Unscrew the punch from the connecting rod bushing. Punch may be resharpened carefully on a bench grinder with a fine grit wheel. Be careful that the punch does not become shorter than the minimum length of 2.44 inches (2-7/16 inches or 61mm). Punches shorter than this will not engage the die sufficiently and must be replaced. The ground face must be square to the punch axis. After grinding, carefully stone the ground edges to remove burrs. Do not round over corners.

Figure 2



Punch Engagement Adjustment

If the punch engagement should need adjustment, loosen the set screw and rotate shoe either clockwise (punch deeper into die) or counterclockwise (punch out of die). Tighten set screw firmly. Turn cam shaft with screwdriver in slot to check punch engagement (moving punch fully down). Repeat as necessary.

Die Replacement

If the die becomes dull, replace it. Replace old die by removing two screws at the front (Figure 2). Install new die and tighten screws. Recheck punch engagement and adjust punch depth if necessary.

Wear Plate

This tool is equipped with a wear plate to increase the life of the shoe (See Figure 3). The wear plate fits between the shoe and the punch. Anytime the punch, punch guide or die is removed, inspect the wear plate. If it is worn, replace it.

To remove the wear plate, disassemble the punch guide and die (Figure 3). Turn cam shaft with screwdriver so that punch is fully up. Slide the wear plate from behind the punch. Insert a new wear plate. Turn the cam shaft with screwdriver to move punch fully down. Replace punch guide and die. Check punch engagement to die. Adjust punch engagement, if necessary.

Maintenance

DISCONNECT TOOL FROM POWER SUPPLY BEFORE PERFORMING ANY MAINTENANCE. Check that the punch and die are sharp. If either is dull, sharpen or replace. Check wear plate and replace if worn. Keep the tool clean. Blow off periodically. Never use solvents or harsh chemicals for cleaning non-metallic parts of the tool. Use a clean, dry rag only. Periodically dip the shoe in oil. This is a precision tool. Use it carefully and store it in a protected place.

Reassembly of Nibbler Head

Screw the punch fully into the connecting rod bushing. Slide the shoe assembly over the end of the punch and into the head. **NOTE:** Lubrication groove in punch face must not be exposed at front of shoe. Turn the shoe to desired cut orientation. Tighten set screw. Next, check punch engagement.

Checking Punch Engagement

Since the punch length is now changed, the punch engagement may have to be adjusted. Check punch engagement by placing a flat blade screwdriver in the cam shaft slot and turning the shaft. (See Figure 2) Punch should dip .020" to .04" (.5 to 1.0mm) into the die at the full down stroke position. Too much punch dip into the die will result in a loss of capacity (bottom of punch will not clear die enough on up stroke.)

Lubrication

B&D tools are properly lubricated at the factory and are ready for use. Tools should be relubricated regularly every sixty days to six months, depending on usage. (Tools used constantly on production or heavy-duty jobs and tools exposed to heat may require more frequent lubrication.) This lubrication should only be attempted by trained power tool repair persons such as those at B&D service centers or in other qualified service organizations.

Motor Brushes

Your tool is equipped with the B&D CHECKPOINT™ brush system. When the brushes become worn out, the tool will automatically stop and prevent damage to the motor. Brush replacement should be performed by B&D service centers or other qualified service organizations.

Important

To assure product SAFETY and RELIABILITY, repairs, maintenance and adjustment (including brush inspection and replacement) should be performed by authorized service centers or other qualified service organizations, always using identical replacement parts.

Accessories

Recommended accessories for use with your tool are available at extra cost from your distributor or local service center. **CAUTION:** The use of any non-recommended accessory may be hazardous.

If you need any assistance in locating any accessory call 1-800-9-BD TOOL: (1-800-923-8665) or contact Black & Decker (U.S.) Inc., Consumer Services Department, 626 Hanover Pike, P.O. Box 618, Hampstead, MD 21074

Every B&D tool is of the highest quality.

If you wish to contact us regarding this product, please call toll free between 8:00am and 8:00pm ET, seven days a week.

1-800-9-BD TOOL
(1-800-923-8665)

One Year Free Maintenance

All B&D tools for Industry and Construction are covered under a one year free maintenance program where B&D will inspect your tool for safety and provide necessary maintenance or repairs, including normal wear and tear parts, for one year, FREE OF CHARGE.

Full Warranty

All B&D tools for Industry and Construction are warranted to be free of any defects in materials or workmanship. Upon thorough examination of tool, B&D will repair or replace, at our option, any product that is determined to be defective.

Conditions

The service/safety check and the warranty do not apply to: repairs made or attempted by anyone other than an authorized B&D service location; misuse, abuse, neglect, improper application of the tool; missing parts; or normal wear and tear (after first year of ownership). Please return the complete unit, transportation prepaid, to any B&D factory owned or B&D authorized service center location (list provided with tool or see Yellow Pages under "Tools Electric").

YOUR POWER TOOLS MAY BE SERVICED AT THE FOLLOWING B&D SERVICE CENTERS.

ALABAMA:	Birmingham 35209, 2412 Green Springs Hwy.	205-942-0538
	Mobile 36608, 3831 Airport Blvd.	205-343-6624
ALASKA:	Anchorage 99518, 910 West International Airport Rd.	907-563-4664
ARIZONA:	Mesa 85202, 535 S. Dobson, Suite 7	602-461-1074
	Phoenix 85013, 4501 N. 7th Avenue	602-279-6414
	Tucson 85712, 4845 E. Speedway Blvd.	602-323-3388
ARKANSAS:	Little Rock 72201, 519 W. Seventh St.	501-372-3040
CALIFORNIA:	Anaheim 92806, 540 South State College Blvd.	714-772-4050
	Chula Vista 91910, 309 Broadway	619-420-6350
	Concord 94520, 1500 Monument Blvd., #C2	510-682-4880
	Fresno 93710, 5412 North Blackstone Ave.	209-435-0810
	Long Beach 90805, 2011 South St.	310-422-5825
	Los Angeles 90040, 4820 South Eastern Ave., Suite "L"	213-720-1834
	Riverside 92506, 6215 Magnolia Ave., Suite "B"	909-787-8700
	Sacramento 95825, 2033 Fulton Ave.	916-972-9090
	San Diego 92123, 9270 Clairemont Mesa Blvd.	619-279-2011
	San Jose 95128, 1185 So. Bascom Ave.	408-293-7350
	San Leandro 94578, 15206 E. 14th St.	510-276-1610
	Van Nuys 91411, 14920 Victory Blvd.	818-787-5531
COLORADO:	Denver 80219, 1171 S. Federal Blvd.	303-922-8325
CONNECTICUT:	Orange 06477, 481 Boston Post Rd.	203-795-8583
	Wethersfield (Hartford) 06109, 662 Silas Dean Hwy.	203-563-5800
DISTRICT OF COLUMBIA:	Washington Coulmar Manor 20722, 4153 Bladensburg Rd.	301-779-3808
	Falls Church, VA 22046, 344 W. Broad St.	703-533-7313
FLORIDA:	Ft. Lauderdale 33334, 799 E. Oakland Pk. Blvd.	305-566-5102
	Ft. Myers 33907, 5224 Bank Street	813-278-1188
	Jacksonville 32205, 920 Cassat Ave.	904-781-2253
	Miami (North) 33168, 13345 N.W. Seventh Ave.	305-681-6658
	Miami (South) 33156, 12233 So. Dixie Hwy.	305-232-9497
	Orlando 32803, 3807 E. Colonial Dr.	407-894-7011
	St. Petersburg 33709, 5635 49th St., N.	813-525-0273
	Tampa 33609, 3432 W. Kennedy Blvd.	813-872-8317
	West Palm Beach 33415, 310 South Military Trail	407-689-3247
GEORGIA:	Atlanta (South) 30349, 5330 Old National Hwy.	404-762-8844
	Smyrna 30080, 2550 Cobb Pkwy.	404-956-0869
	Stone Mountain (Atlanta) 30086, 5723 Memorial Dr.	404-292-4714
HAWAII:	Honolulu 96819, 330 Sand Island Access Road.	808-847-7447
ILLINOIS:	Des Plaines (Chicago) 60018, 1277 South Elmhurst Rd.	708-364-5220
	Lincwood (Chicago) 60646, 6710 N. Crawford Ave.	708-673-0923
	Lisle (West Chicago) 60532, 2950 Ogden Ave., Unit H	708-717-1075
	Marine 61265, 4433 23rd Ave.	309-762-3000
	Oak Lawn (Chicago) 60453, 6343 W. 95th St.	708-423-7212
	Waukegan 60085, 39 S. Greenbay Rd.	708-249-4390
INDIANA:	Evansville 47710, 307 First Ave., Crescent Ctr.	812-425-4269
	Hammond 46323, 7103 Kennedy Ave.	219-845-5100
	Indianapolis 46224, 5999 Crawfordsville Rd.	317-243-8308
IOWA:	Des Moines 50310, 3427 Merle Hay Rd.	515-270-1340
KANSAS:	Wichita 67213, 155 S. West St.	316-943-1271
KENTUCKY:	Louisville 40213, 5211 Preston Hwy.	502-968-7100
LOUISIANA:	Baton Rouge 70815, 11859 Florida Blvd.	504-272-8111
	Harvey 70058, 2500 Lapalco Blvd.	504-366-8676
	Metairie (New Orleans) 70002, 3504 N. Causeway Blvd.	504-837-2550
	Shreveport 71108, 7710-7714 Jewella Rd.	318-688-1553
MARYLAND:	Baltimore (East) 21205, 4712 Erdman Ave.	410-485-5550
	Baltimore (North) 21030, 29-31 Cranbrook Rd., Cockeyville	410-666-5966
	Baltimore (South) 21122, 8220 Ritchie Hwy., Pasadena	410-647-8456
	Colmar Manor 20722, 4153 Bladensburg Rd.	301-779-3808
MASSACHUSETTS:	Brighton (Boston) 02135, 12 Market St.	617-782-6264
	Seekonk 02771, 120 Highland Ave.	508-336-6510
MICHIGAN:	Grand Rapids 49512, 3040 28th St. S.E.	616-949-8331
	Lansing 48917, 3203 W. Saginaw Hwy.	517-323-4181
	Warren 48093, 27035 Van Dyke Blvd.	313-756-6711
	Westland (Detroit) 48185, 8067 North Wayne Rd.	313-427-1520
MINNESOTA:	Bloomington (Minneapolis-St. Paul) 55420, 9517 Lyndale Ave. S.	612-884-9191
MISSOURI:	Kansas City 64111, 4324 Main St.	816-531-0629
	St. Ann (North St. Louis) 63074, 3637 North Lindbergh Blvd.	314-739-4661
	St. Louis 63131, 12852 Manchester Rd.	314-821-8740
NEBRASKA:	Omaha 68127, 4225 S. 84th St.	402-592-5666
NEVADA:	Las Vegas 89104, 3411 East Charleston Blvd.	702-641-6555
NEW JERSEY:	Cherry Hill 08034, 1444 E. Marlton Pike/Rte. 70	609-429-2822
	Little Falls 07424, 1189 U.S. Highway 46.	201-256-9373
	Union (Scotch Plains) 07076, 2520 Route #22 East	908-233-5665
NEW MEXICO:	Albuquerque 87110, 5617 Menaul Blvd., N.E.	505-884-1002
NEW YORK:	Buffalo 14209, 881 W. Delavan Ave.	716-884-6220
	Centereach L.I. 11720, 2061-63 Middle Country Rd.	516-737-4706
	Elmhurst (New York) 11373, 77-20 Queens Blvd.	718-335-1042
	Latham (Albany) 12110, 836 Troy-Schenectady Rd.	518-785-1867
	Rochester 14623, 2969 W. Henrietta Rd.	716-424-1310
	Syracuse 13214, 3485 Erie Blvd., East	315-446-3086
	Westbury L.I. (New York) 11590, 1061 Old Country Rd.	516-997-6140
NORTH CAROLINA:	Charlotte 28205, 3007 E. Independence Blvd.	704-374-1779
	Greensboro 27407, 3716 High Point Rd.	910-852-1300
	Raleigh 27604, 2930 Capital Blvd.	919-878-0357
OHIO:	Cincinnati 45241, 2310 E. Sharon Rd.	513-772-3111
	Columbus 43227, 3975 E. Livingston Ave.	614-237-0461
	Dayton 45409, 2898 S. Dixie Dr.	513-298-1951
	Mayfield Heights (East Cleveland) 44124, 5881 Mayfield Rd.	216-449-2770
OHIO (CONT'D)	Parma Heights (Cleveland) 44130, 6483 Pearl Road	216-842-9100
	Toledo 43607, 3231 Dorr St	419-531-8921
OKLAHOMA:	Oklahoma City 73106, 1318 Linwood Blvd.	405-232-7515
	Tulsa 74145, 3120 S. Sheridan Rd.	918-622-5666
OREGON:	Portland 97209, 1640 N.W. Johnson St.	503-228-8631
PENNSYLVANIA:	Evans City 16033, 20808 Rt. 19 North	412-779-9800
	Harrisburg 17112, 6080 Allentown Blvd.	717-545-0651
	Lancaster 17601, 118 Keller Ave.	717-393-5251
	Philadelphia 19103, 333 N. 20th St.	215-564-5520
	Philadelphia (North) 19115, 9977-81 Bustleton Ave.	215-464-7771
	Pittsburgh 15232, 5437 Baum Blvd.	412-362-2700
	Whitehall (Allentown) 18052, 2242 MacArthur Rd.	610-435-9544
	Wilkes-Barre 18702, 759 Kidder Street	717-824-5704
PUERTO RICO:	Puerto Nuevo	809-783-3535
RHODE ISLAND:	See Seekonk, MA	
SOUTH CAROLINA:	Greenville 29607, 1557 Laurens Rd.	803-232-3038
TENNESSEE:	Chattanooga 37421, 6231 Perimeter Drive, Space E.	615-894-5957
	Knoxville 37917, 4118 N. Broadway	615-688-0921
	Memphis 38116, 1085 East Brooks Rd.	901-332-3444
	Nashville 37211, 4811 Nolensville Rd.	615-833-8277
TEXAS:	Amarillo 79106, 3008 West 6th Ave.	806-373-1531
	Austin 78757, 6549 Burnet Rd.	512-459-1133
	Dallas 75229, 2257 Royal Ln.	214-620-6655
	El Paso 79915, 6822 Gateway East.	915-778-9769
	Fort Worth 76111, 721 North Beach St.	817-831-3828
	Garland 75043, 718 W. Centerville Rd.	214-686-9302
	Houston 77022, 536 E. Tidwell Rd.	713-692-7111
	Houston (S.W.) 77025, 9319 Stella Link Blvd.	713-664-3666
	San Antonio 78201, 500 Culebra Ave.	210-732-1921
	Webster 77598, 100 East NASA Rd. One	713-338-4556
UTAH:	Salt Lake City 84115, 1541 S. Third West St.	801-486-5828
VIRGINIA:	Falls Church 22046, 344 W. Broad St.	703-533-7313
	Hampton 23666, 3416 W. Mercury Blvd.	804-828-9882
	Norfolk 23513, 7631 Sewells Point Rd.	804-649-3333
	Richmond 23222, 1424 Chamberlayne Ave.	804-649-9245
WASHINGTON:	Seattle 98108, 421 S. Michigan St.	206-763-2010
	Spokane 99208, N. 7011 Division St.	509-487-8190
	Tacoma 98409, 2802 S. 38th St.	206-473-6040
WEST VIRGINIA:	Charleston 25312, 1638 Sixth Ave.	304-343-0289
WISCONSIN:	Milwaukee (Wauwatosa) 53226, 10424 West Bluemound Rd.	414-453-4240

ALBERTA
Edmonton T6E 6H6, 3845 99th St. 403-462-5005

BRITISH COLUMBIA
Vancouver V5M 3Y7, 1735 Boundary Rd. 604-291-9942

MANITOBA
Winnipeg R3H 0K3, 934 St. James St. 204-783-7294

NOVA SCOTIA
Halifax B3K 2A4, 6100 Young Street. 902-453-5090

ONTARIO
Brockville K6V 5W6, 100 Central Ave. 613-342-6641
Kanata K2L 1V3, 462 Hazeldean Rd #11. 613-831-2332
Glencairn Plaza
London N6E 3A9, 981 Wellington Rd #6. 519-649-2407
Markham L3P 3J3, 9275 Hwy 48 Unit 12/13. 905-472-6168
Mississauga L4X 1L3, 1480 Dundas St. E #7. 905-277-0011
North York M3J 3G5, 48 Kodiak Cres. 416-635-6740

QUEBEC
Brossard J4W 1M6, 5840 Boul Taschereau. 514-462-4881
Montreal H1Y 1B4, 3061 Belanger. 514-722-1021

**FOR ADDITIONAL SERVICE LOCATIONS
CALL: 1-800-9-BD TOOL**

Black & Decker (U.S.) Inc. • 701 East Joppa Road, Towson, Maryland 21286

Printed in U.S.A. (AUG95-CD-2) Form No. 159425-01 Copyright © 1995