

Instruction Manual

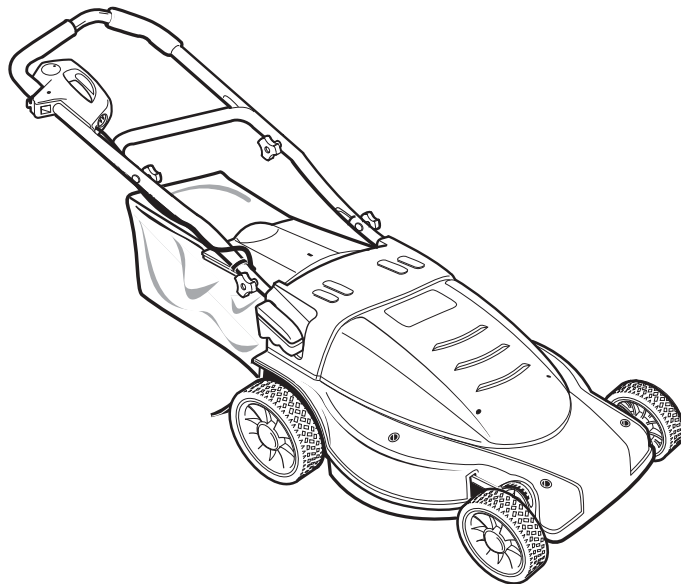


120 Volt

CONVERTIBLE MULCHING MOWER

Model No. 900.370511

Date Code:



▲ WARNING:

Before using this product,
read this manual and follow
all its Safety Rules and
Operating Instructions.

- Safety
- Assembly
- Operation
- Maintenance
- Parts List
- Español Pág. 18

Sears, Roebuck and Co., Hoffman Estates, IL 60179 USA
www.sears.com/craftsman

TABLE OF CONTENTS

Warranty	2	Product Specifications	14
Safety Instructions	2	Service and Adjustments	14
Maintenance	5	Storage	14
Assembly	6	Troubleshooting	15
Operation	8	Illustrated Parts List	16,17
Maintenance Schedule	13	Español	18

WARRANTY

LIMITED TWO YEAR WARRANTY ON CRAFTSMAN POWER MOWER

For two years from date of purchase, when this Craftsman Power Mower is maintained, lubricated, and tuned up according to the operating and maintenance instructions in the owner's manual, Sears will repair any defect in material or workmanship free of charge.

If this Craftsman Lawn Mower is used for commercial or rental purposes, this warranty applies for only 90 days from the date of purchase.

This Warranty does not cover:

- Expendable items which become worn during normal use, such as rotary mower blades, blade adapters, and belts.
- Repairs necessary because of operator abuse or negligence, including bent crankshafts and the failure to maintain the equipment according to the instructions contained in the owner's manual.

WARRANTY SERVICE IS AVAILABLE BY returning the Craftsman power mower to the nearest Sears Service Center in the United States. This warranty applies only while this product is in use in the United States.

This Warranty gives you specific legal rights, and you may also have other rights which vary from state to state.

SEARS, ROEBUCK AND CO., DEPT. 817 WA, HOFFMAN ESTATES, IL 60179

GENERAL SAFETY RULES

⚠ WARNING: Do not attempt to operate this mower until you thoroughly read and completely understand all instructions, safety rules, etc. contained in this manual. Failure to comply can result in accidents involving fire, electric shock, or serious personal injury. Save Owner's Manual and review frequently for continuing safe operation and instructing others who may use this mulching mower.

Safety standards require an Operator Presence Control Switch to minimize the risk of injury. Your unit is equipped with such a Control Switch. Do not attempt to defeat its function under any circumstances.

⚠ WARNING: Some dust created by this product contains chemicals known to the State of California to cause cancer,

birth defects or other reproductive harm. Some examples of these chemicals are:

- compounds in fertilizers
- compounds in insecticides, herbicides and pesticides
- arsenic and chromium from chemically treated lumber

To reduce your exposure to these chemicals, wear approved safety equipment such as dust masks that are specially designed to filter out microscopic particles.

⚠ WARNING: This product contains chemicals, including lead, known to the State of California to cause cancer, and birth defects or other reproductive harm. Wash hands after handling.

⚠ CAUTION: Wear appropriate personal hearing protection during use. Under some conditions and duration of use, noise from this product may contribute to hearing loss.

SAFETY GUIDELINES - DEFINITIONS

It is important for you to read and understand this manual. The information it contains relates to protecting YOUR SAFETY and PREVENTING PROBLEMS. The symbols below are used to help you recognize this information.

⚠ DANGER: Indicates an imminently hazardous situation which, if not avoided, will result in death or serious injury.

⚠ WARNING: Indicates a potentially hazardous situation which, if not avoided, could result in death or serious injury.

⚠ CAUTION: Indicates a potentially hazardous situation which, if not avoided, may result in minor or moderate injury.

CAUTION: Used without the safety alert symbol indicates a potentially hazardous situation which, if not avoided, may result in property damage.

⚠ WARNING: IMPORTANT SAFETY WARNINGS AND INSTRUCTIONS

⚠ WARNING: When using electric gardening appliances, basic safety precautions should always be followed to reduce risk of fire, electric shock, and personal injury, including the following.

READ ALL INSTRUCTIONS

⚠ DANGER IMPORTANT SAFE PRACTICES FOR WALK-BEHIND MOWERS

This lawn mower is capable of amputating hands and feet and throwing objects. Failure to observe the following safety instructions could result in serious injury or death.

GENERAL OPERATION

1. Read, understand, and follow all instructions on the mower and in the instruction manual before starting.
2. Do not put hands or feet near or under the mower. Keep clear of the discharge opening at all times.
3. Only allow responsible adults, who are familiar with the instructions, to operate this mower.
4. Clear the area where the mower is to be used of objects such as rocks, sticks, wire, toys, bones, etc., which could be thrown by the blade. Objects struck by the blade can cause severe injury to persons. Stay behind the handle when the motor is running.
5. Be sure the area surrounding the mower is clear of bystanders before operating. All bystanders and pets should be kept at a safe distance. Stop the mower if

anyone enters the area surrounding the mower.

6. Do not operate mower barefooted or while wearing sandals. Always wear substantial footwear.
7. Do not pull mower backward unless absolutely necessary. Always look down and behind before and while moving backward.
8. Never direct discharged material toward anyone. Avoid discharging material against a wall or obstruction. Material may ricochet back toward the operator. Release switch lever to turn mower off and stop the blade when crossing gravel surfaces or when flipping the handle.
9. Do not operate mower without the entire grass catcher, discharge guard, rear guard, or other safety protective devices in place and working. Periodically check all guards and safety protective devices to ensure they are in good working order and will operate properly and perform their intended function. Replace a damaged guard or other safety device before further use.
10. Never leave a running mower unattended.
11. Always release the switch lever to stop the motor and wait until the blade comes to a complete stop and unplug the mower before cleaning the mower, removing the grass catcher, unclogging the discharge guard, when leaving the mower, or before making any adjustments, repairs or inspections.
12. Operate mower only in daylight or good artificial light when objects in the path of the blade are clearly visible from the operating area of the mower.
13. Do not operate mower while under the influence of alcohol or drugs, or when you are tired or ill. Always stay alert, watch what you are doing, and use common sense.
14. Avoid dangerous environments. Never operate mower in damp or wet grass, never use mower in the rain. Always be sure of your footing; walk; never run.
15. Disengage the drive system, if so equipped, before starting the motor.
16. If the mower should start to vibrate abnormally, release the switch lever, wait for the blade to stop and unplug the mower, then check for the cause immediately. Vibration is generally a warning of trouble.
17. Always wear proper eye and respiratory protection when operating the mower.
18. The use of any accessory or attachment not recommended for use with this mower could be hazardous. Only use accessories approved by Sears.
19. Never overreach while operating the mower. Always be sure to keep proper footing and balance at all times while operating the mower.

SLOPE OPERATION

Slopes are a major factor related to slip and fall accidents, which can result in severe injury. Operation on all slopes requires extra caution. If you feel uneasy on a slope, do not mow it.

1. Mow across the face of slopes; never up and down. Exercise extreme caution when changing direction on slopes.
2. Watch for holes, ruts, bumps, rocks, or other hidden objects. Uneven terrain could cause a slip and fall accident. Tall grass can hide obstacles.
3. Do not mow on wet grass or excessively steep slopes. Poor footing could cause a slip and fall accident.
4. Do not mow near drop-offs, ditches, or embankments. You could lose your footing or balance.

CHILDREN

Tragic accidents can occur if the operator is not alert to the presence of children. Children are often attracted to the mower and the mowing activity. Never assume that children will remain where you last saw them.

1. Keep children out of the mowing area and under the watchful care of a responsible adult other than the operator.
2. Be alert and turn mower off if a child enters the area.
3. Never allow children to operate the mower.
4. Use extra care when approaching blind corners, shrubs, trees, or other objects that may block your view of a child.

GENERAL SERVICE

1. Never operate mower in a closed area.
2. Keep all nuts and bolts tight to be sure the equipment is in safe working condition.
3. Never tamper with safety devices. Check their proper operation regularly.
4. Keep mower free of grass, leaves, or other debris build-up. Allow mower to cool before storing.
5. If you strike a foreign object, release switch lever to turn mower off, wait for the blade to stop and remove the safety key and then inspect the mower. Repair, any damage, before starting and operating the mower.
6. Never make any adjustments or

repairs with the motor running or while the safety key is in the mower.

7. Always remove safety key before adjusting, cleaning, repairing, inspecting, transporting, storing or leaving the mower.
8. Check grass catcher components and the discharge guard frequently and when necessary replace with Black & Decker recommended parts only.
9. Mower blades are sharp. Wrap the blade or wear gloves, and use extra caution when servicing them.
10. Maintain or replace safety and instruction labels, as necessary.

TRAINING:

- Read this operator's manual carefully. Become familiar with the controls and know how to operate your mower properly. Learn how to quickly stop mower.
- Use mower only as described in this manual.
- Do not operate mower if it has been dropped or damaged in any manner. Always have damage repaired before using your mower.
- Do not operate mower without the recommended extension cord. Ensure that the cord is in good condition before starting mower.
- The blade always turns when the motor is running.
- Avoid accidental starting. Do not play with the Operator Presence Control switch when mower is not in use.

PREPARATION:

- Dress properly. Do not operate mower when barefoot or wearing open sandals. Wear only solid shoes with good traction when mowing.
- Always make wheel height adjustments before starting your mower. Do not attempt to do this while the mower is running.
- Do not plug mower in until it is ready to be used.
- Protect your lungs. Wear a face or dust mask if mowing operation is dusty.
- Remove all adjusting wrenches from mower before turning it on.

OPERATION:

The operation of any lawn mower can result in foreign objects thrown into the eyes, which can result in severe eye damage. Always wear safety glasses or eye shields while operating your lawn mower or performing any adjustments or repairs. We recommend a wide vision safety mask over the spectacles or standard safety glasses with side shields, available at Sears.

- Keep your eyes and mind on your mower and the area being cut. Do not let other interests distract you.
- Guard against electric shock. Repair or replace damaged mower cord or extension cord immediately.
- Don't abuse the cord. Never pull lawnmower by the cord. Disconnect by gently pulling the plug, not the cord.
- Do not run the motor indoors.
- Don't force the mower. It will do the job better and safer at the rate for which it is designed. When mowing on rough surfaces or in high grass, select a higher cutting position.
- Keep away from blade area. Be aware of the risk of injury. Keep hands and feet away from the blade.
- **DANGER:** DO NOT attempt to remove cut material or unclog debris from under mower deck while blade is moving, or you will be seriously injured.
- If mower stalls, release operator presence control switch and wait for blade to stop rotating. Unplug cord before attempting to remove anything from under mower deck. Thoroughly inspect and have any damage repaired before restarting and operating mower.

MAINTENANCE AND STORAGE:

- Check the blade and the motor mounting bolts often to be sure they are tightened properly.
- Check all bolts, nuts and screws at frequent intervals for proper tightness to be sure mower is in safe working condition.
- To reduce fire hazard, keep the motor free of grass, leaves or excessive grease and oil.
- Always keep the blade on your mower sharp.
- Keep mower dry and clean. Always use a clean damp cloth when cleaning. Never use brake fluids, gasoline,

petroleum-based products, solvents, or water to clean mower.

- Do not mow if switch does not turn mower on and off. Have defective switch replaced at Sears Service Center.
- Check damaged parts. Before further use of the mower, a guard or other part that is damaged should be carefully checked to determine that it will operate properly and perform its intended function. Check for alignment of moving parts, binding of moving parts, breakage of parts, and any other conditions that may affect mower operation. A guard or other part that is damaged should be properly repaired or replaced by a qualified service technician.
- When servicing use only identical Craftsman replacement parts. Servicing of this mower should be performed only by a qualified service technician. For repair service we suggest you return mower to your nearest Sears Service Center.
- When replacing blade, use only identical Craftsman replacement blade. Use of any other blade may result in serious personal injury or damage to your mower.
- Store mower inside. When not in use, mower should be stored indoors in a garage, basement, etc. Storage area should be a dry, locked-up place – out of reach of children.
- Maintain mower with care. Keep blade sharp and clean for best and safest performance. Follow instructions for lubricating and changing accessories.

DOUBLE INSULATION

Your Mower is DOUBLE INSULATED to give you added safety. This means that it is constructed throughout with TWO separate "layers" of electrical insulation, or one DOUBLE thickness of insulation between you and the tool's electrical system.

Tools built with this insulation system are not intended to be grounded. As a result, your mower is equipped with a two-prong plug which permits you to use extension cords without concern for maintaining a ground connection.

NOTE: DOUBLE INSULATION does not take the place of normal safety precautions when operating this mower. The insulation system is for added protection against injury resulting from a possible electrical insulation failure within the tool.

CAUTION: Repair or replace damaged cords immediately. Use only identical Craftsman replacement parts.

POLARIZED PLUG

To reduce the risk of electric shock, this mower has a polarized plug (one blade is wider than the other). This mower must be used with a suitable polarized 2 wire or 3 wire extension cord. Polarized connections will fit together only one way. Make sure that the receptacle end of the extension cord has large and small blade slot widths. If the plug does not fit fully into the extension cord receptacle, reverse the plug. If it still does not fit, obtain a suitable extension cord. If the extension cord does not fit fully into the outlet, contact a qualified electrician to install the proper outlet. Do not change the tool plug or extension cord in any way.

EXTENSION CORDS

Double-insulated tools have 2 wire cords, and can be used with 2 wire or 3 wire extension cords. Only round jacketed extension cords should be used, and we recommend that they be listed by Underwriters Laboratories (U.L.)

⚠ WARNING: To prevent electric shock use only with an extension cord suitable for outdoor use, such as SW-A, SJOW-A, SOW-A, STW-A, STOW-A, SJW-A, SJTW-A or SJTOW-A.

An extension cord must have adequate wire size (AWG or American Wire Gauge) for safety, and to prevent loss of power and overheating. The smaller the gauge number of the wire, the greater the capacity of the cable; that is, 16 gauge has more capacity than 18 gauge. When using more than one extension to make up the total length, be sure each individual extension contains at least the minimum wire size.

To determine the minimum wire size required, refer to the chart below: (Refer to your mower's nameplate to find the Ampere Rating)

NOTE: Using any other length or rating or cord will diminish the performance and possibly the life of the electric motor.

SAVE THESE INSTRUCTIONS

Volts	Minimum Gage for Cord Sets			
	Total Length of Cord in Feet			
120V	0-25	26-50	51-100	101-150
	(0-7,6m)	(7,6-15,2m)	(15,2-30,4m)	(30,4-45,7m)
240V	0-50	51-100	101-200	201-300
	(0-15,2m)	(15,2-30,4m)	(30,4-60,9m)	(60,9-91,4m)
Ampere Rating		American Wire Gage		
More Than	Not more Than			
0 - 6	18	16	16	14
6 - 10	18	16	14	12
10 - 12	16	16	14	12
12 - 16	14	12	Not Recommended	

REPLACEMENT BLADE

The replacement blade is stock # 33243 and is available at Sears Retail Stores and Service Centers.

ASSEMBLY

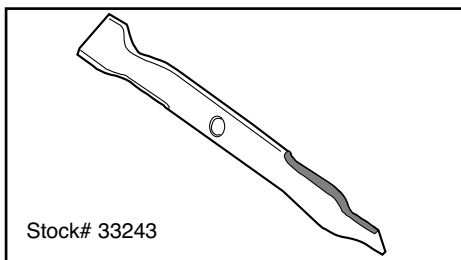
CARTON CONTENTS

- Mulching Mower (Shipped with Mulch Insert installed)
- Grassbag
- Grasscatcher frame

TO REMOVE MOWER FROM CARTON

Your mulching mower has been completely assembled at the factory except for the Grasscatcher.

⚠ CAUTION: Do not lift the lawnmower off the ground by holding the height adjustment finger grip.

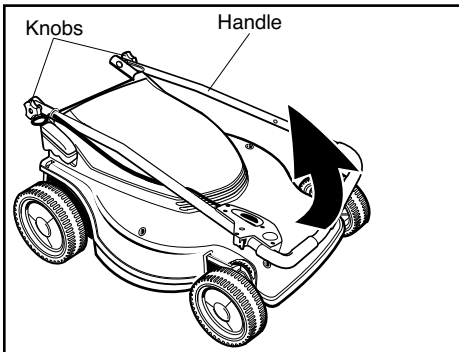


- Remove the Grasscatcher frame, Grassbag and cardboard fillers.
- Remove the mower from the carton and place all four wheels on the ground or floor.
- Check the carton thoroughly and make sure there are no loose parts.

To Unfold Handle

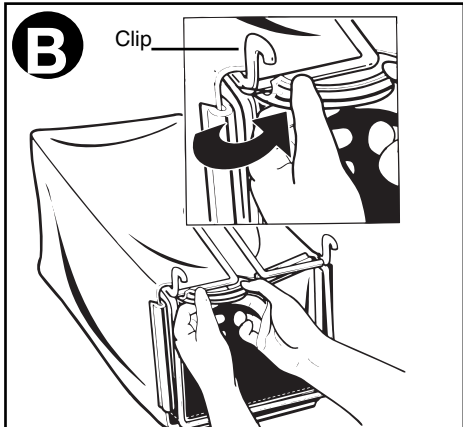
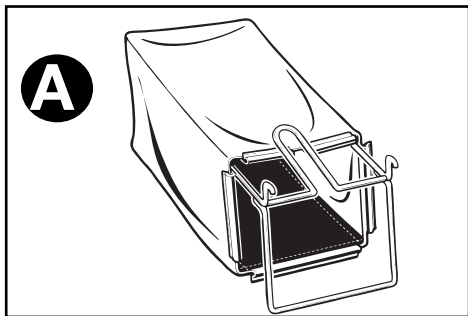
Raise the handle section into place and secure by tightening the two knobs. See figure below.

⚠ WARNING: For your own safety DO NOT use this mower without either the Grasscatcher or Mulch Insert in operating position.



GRASSCATCHER ASSEMBLY

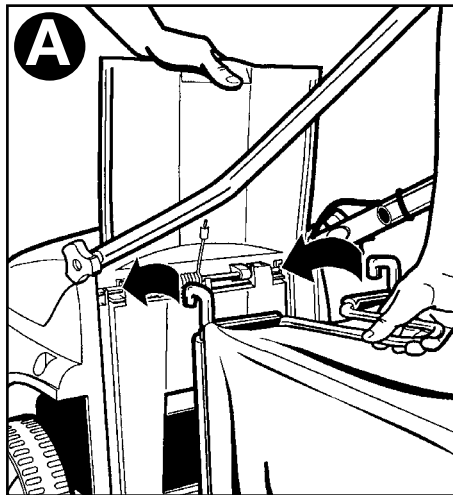
- Slide the grassbag onto the grasscatcher frame. (See Fig. A)
- The grassbag has attachment clips sewn around the bag opening.
- Attach the two top clips to the frame, then attach the side clips, and lastly the bottom clip. (See Fig. B)
- Refer to “To Install Grasscatcher” instruction before attaching to mower.



TO INSTALL GRASSCATCHER

- Reach down between the mower handle and raise the rear door to a vertical position. (See Fig. A)
- Remove the mulch insert. See page 11 To Remove Mulch Insert.
- Pick up the grasscatcher by the handle and lower the grasscatcher between the lawnmower handles. Position the grass-catcher hanger hooks on the metal rod under the rear door. (See Fig. B).
- Release the rear door.

⚠ WARNING: Never operate the mower unless the hanger hooks on the grasscatcher are seated properly, and the rear discharge door rests firmly against the top of the grasscatcher.



OPERATION

KNOW YOUR MULCHING MOWER

READ THIS OWNER'S MANUAL AND SAFETY RULES BEFORE OPERATING YOUR MULCHING MOWER. Compare the illustrations with your mulching mower to familiarize yourself with the location of various controls and adjustments. Save this manual for future reference.

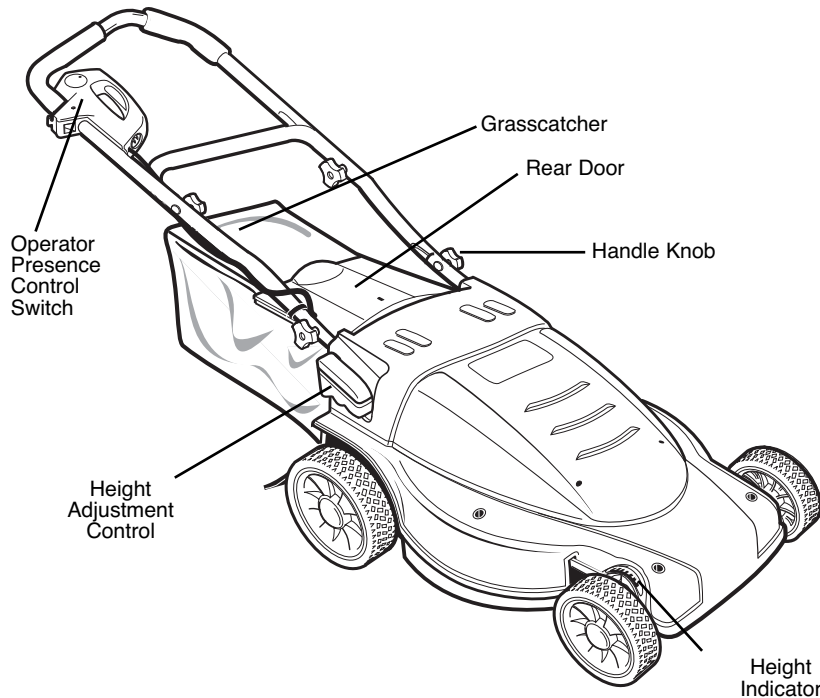
These symbols may appear on your mulching mower or in literature supplied with the product. Learn and understand their meaning.



CAUTION
OR WARNING



DANGER, KEEP HANDS
AND FEET AWAY



MEETS CPSC SAFETY REQUIREMENTS

Sears rotary walk-behind power lawn mowers conform to the safety standards of the American National Standards Institute and the U.S. Consumer Product Safety Commission.

⚠ WARNING: The blade always turns when the motor is running.

Operator Presence Control Switch – Must be held to the handle to start and run the motor. Release to stop the motor.

Door – Allows conversion from mulching or bagging operation.

Height Adjustment Control — Allows for simple one touch height adjustment of all four wheels at one time.

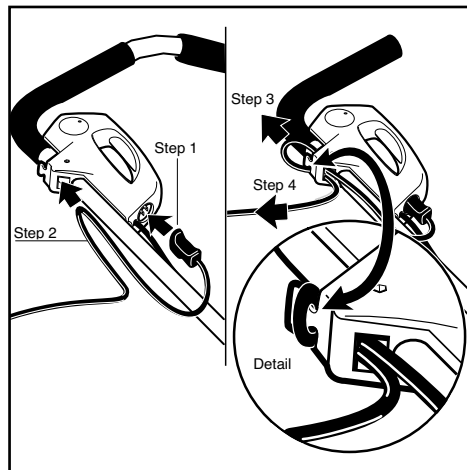
TO STOP MOWER

To stop mower fully release your grip on the operator presence control switch.

ATTACHING EXTENSION CORD TO MOWER

DO NOT connect the extension cord to power source until you have finished reading this manual and you are ready to start mowing. **Read the Polarized Plug section on page 6** before plugging the extension cord into the switch housing as shown in figure below.

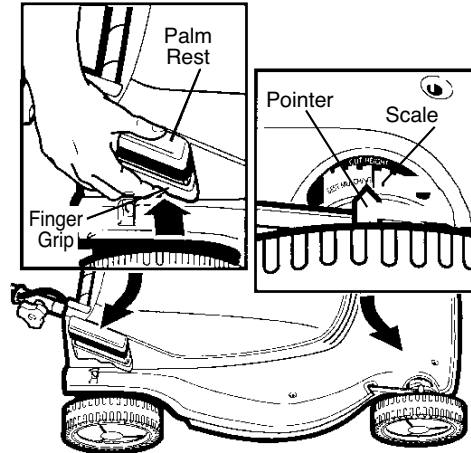
1. The extension cord must be polarized and will only plug in one way. Orient the wide slot with the wide blade in the switch housing and plug in.
2. Loop the extension cord and push the loop up through the hole in the switch housing.
3. Pull the extension cord on the side of the loop that is plugged into the switch housing and remove all the slack in this section of the extension cord..
4. Place the loop over the strain relief tab on the switch housing. Pull the extension cord so the loop draws down around the strain relief tab as shown in the detail. Double check to see that you did not loosen the extension cord plug.



TO ADJUST CUTTING HEIGHT

- Before making any adjustments, turn off, unplug mower and wait for blade to stop rotating.

- Use the Height Adjustment Control to raise deck for high cutting and lower deck for low cutting.
- Adjust cutting height to suit your requirements. Medium position is best for most lawns.
- To raise or lower the cutting height, rest the palm of your hand on the palm rest and with your fingers, squeeze upward on the finger grip and hold.



- While holding the finger grip up you can raise or lower the cutting height. The mulcher has eight blade height adjustment positions. Refer to the scale and pointer at the front of the mower. The pointer will give you the height setting for cutting your lawn. This setting can be a reference for the next time you want to cut your lawn at the same height. When you have the mower at the height you like, simply release the finger grip to lock the height in.

NOTE: To ensure that the deck is securely locked in one of the eight positions, press down on the palm rest after releasing the finger grip.

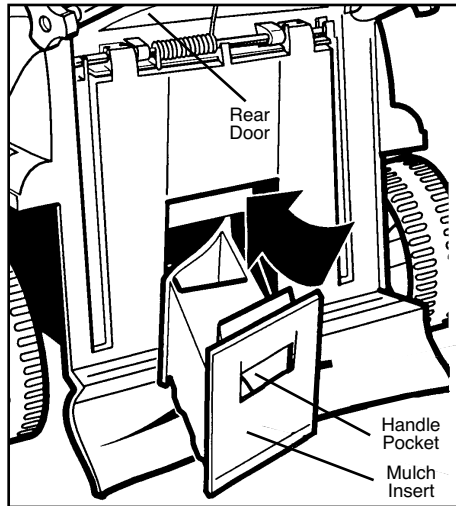
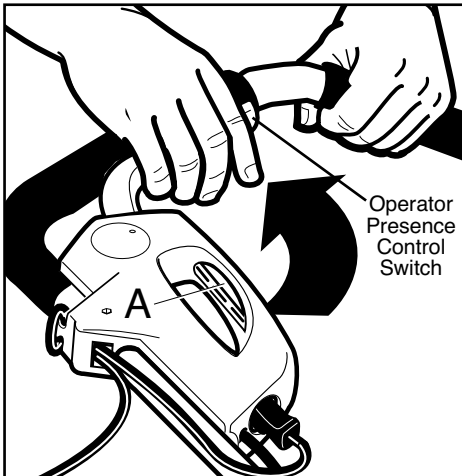
OPERATOR PRESENCE CONTROL SWITCH

CAUTION: Federal regulations require an Operator Presence Control Switch to be installed on lawn mowers in order to minimize the risk of blade contact injury. **DO NOT** under any circumstances attempt to defeat the function of this switch.

Remember that the blade always turns when the motor is running.

The Operator Presence Control Switch is a lever that you pull back to start and run the mower. The switch requires you to be positioned behind the mower handle for mower operation.

To operate the switch, insert your finger into the opening (A) and push the lever out so that you can grab it with your other hand. Pull the lever back to turn the unit on and hold it against the mower handle to keep it running. To turn the mower off, just release the lever. The spring loaded "SNAP ACTION" lever will quickly turn the mower off.

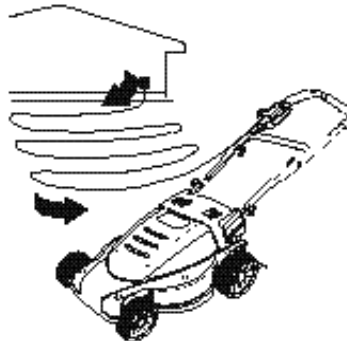
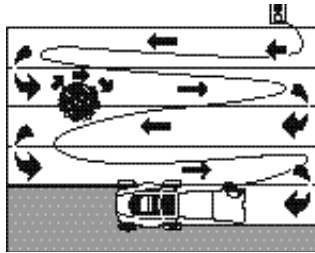


⚠ WARNING:

- For your own safety DO NOT use this mower without either the grasscatcher or mulch insert in operating position.
- Do not operate the lawnmower if the rear door is not under spring tension. Take your mower to the nearest Sears Service Center for repair.

MULCH INSERT & REAR DOOR

The mulch insert is designed to minimize the throwing of stones or other objects by the mower blade backward from under the mower deck. The mulch insert, along with the rear door, minimizes the possibility of accidental foot contact with the blade. DO NOT operate mower without the mulch insert and rear door in place.



MOWING PROCEDURE

- Inspect area where mower is to be used and remove all stones, sticks, wire, bones, and other debris which might be thrown by the rotating blades.
- Place most of the extension cord close to the electrical outlet, out of the path of the mower.
- **CAUTION:** Do not plug extension cord into receptacle outlet while standing in water or when hands are wet.
- Begin mowing in the area closest to the outlet. Always mow forward in a back and forth pattern across the lawn. Keep the cord on the cut portion of the lawn.

MOWING TIPS

- Mow across the face of slopes, never up-and-down. Exercise extreme caution when changing direction on slopes. Do not mow excessively steep slopes. Always maintain good footing.
- Release switch to turn mower "OFF" and wait for blade to stop before crossing any graveled area (stones can be thrown by the blade).
- Set mower at highest cutting height when mowing in rough ground or in tall weeds.
- From time to time turn off mower and wait for the blade to come to a complete stop. Then unplug the power cord and turn mower on its side. Using an object such as a stick, wipe out any accumulation of grass in the blade area. Be careful of the sharp edges of the blade.
- If a grasscatcher is used during the fast growing season, the grass may tend to clog up at the discharge opening. Turn the mower "OFF", wait for the blade to stop and disconnect the power cord plug. Remove the catcher and shake the grass down to the back end of the bag. Also clean out any grass or debris which may be packed around the discharge opening. Replace the grass catcher. Clean often in wet, spring grass.
- If mower should start to vibrate abnormally, turn mower "OFF" and unplug power cord. Check immediately for cause. Vibration is a warning of trouble. Do not operate mower until a service check has been made.

- **ALWAYS** turn the mower "OFF" and unplug the mower when leaving it unattended even for a short period of time.

MULCHING

- Your new mower is designed to re-cut the grass clippings many times and reduce them in size so that, as they fall into the lawn, they will disperse into the grass and not be noticed. Also, the mulched grass will biodegrade quickly to provide nutrients to the lawn.
- Your mower was shipped with the Mulch Insert installed.

MULCHING MOWING TIPS

- For best performance, keep the mower housing free of built-up grass and debris. Clean after each use. See CLEANING in the maintenance section of this manual.
- Avoid cutting the lawn when it is wet. Wet grass tends to form clumps which interfere with the mulching action. The best time to mow your lawn is in the early afternoon. At this time the grass is dried and the newly cut area will not be exposed to the direct sun. For best results, adjust the mower cutting height so that the mower cuts off only the top one third of the grass blades. If the lawn is overgrown it will be necessary to increase the cutting height to reduce the pushing effect and reduce overloading the motor. For extremely heavy mulching make narrower cuts and mow slowly.
- Certain types of grass and grass conditions may require that an area be mulched a second time to completely hide the clippings. When doing a second cut, mow across or perpendicular to the first cut path. **DO NOT mow perpendicular to the first path if it would require you to mow across a hill.**
- Change your cutting pattern from week to week. Mow north to south one week and east to west the next week. This will help prevent matting and graining of the lawn.

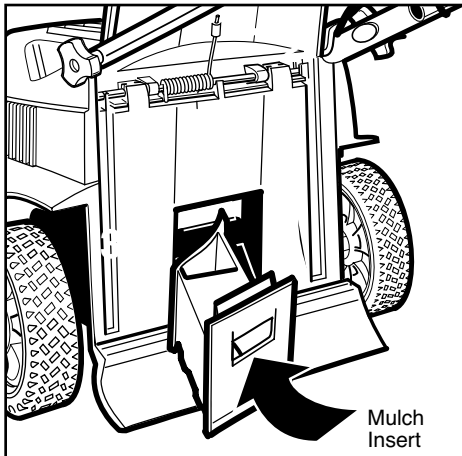
TO REMOVE MULCH INSERT

- Shut the mower off, wait until the blade stops and unplug the mower.
- Raise the rear door and hold it up.

- Locate your hand in the handle pocket of the mulch insert, lift and pull out the mulch insert completely.
- The rear discharge door is spring loaded. When you release it the door will return to the closed position.

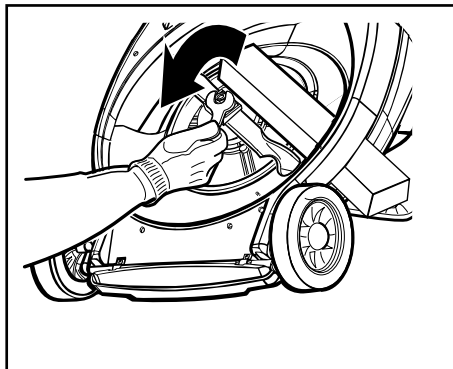
TO INSTALL MULCH INSERT

- Shut the mower off, wait until the blade stops and unplug the mower.
- Raise the rear door and slide the mulch insert into the discharge opening until it is firmly in contact with the deck.
- Release the rear door.

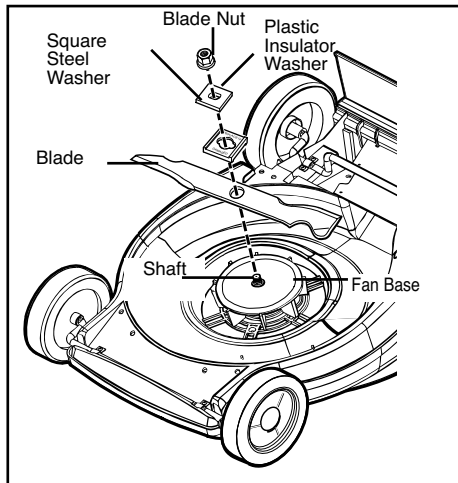


TO REMOVE BLADE

- **Release Operator Presence Control Switch to turn mower off, wait for the blade to stop, and unplug mower!**
- Cut a two foot length of 2x4 wood and use it to keep blade from turning while removing blade nut.
- Wear gloves, position wood, and loosen nut counterclockwise as shown. Remove nut.

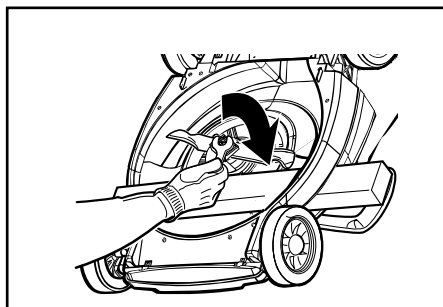


- Remove square steel washer, plastic insulator washer and blade.



TO REPLACE BLADE

- Place blade on shaft so that the blade edges are parallel with the flat sides of the shaft. Make sure you place the blade so that its cutting edges will face the ground when the mower is running.
- Place plastic insulator washer on shaft so that two of the washer's raised edges fit over the edges of the blade.
- Place square steel washer on shaft so that flat sides of hole in washer are parallel with flat sides of shaft.
- Place blade nut on shaft. Make sure all parts stay aligned. Position wood to keep shaft from turning. Securely tighten blade nut clockwise to 20-30 ft. lbs.



TO SHARPEN BLADE

- Keep blade sharp for best mower performance. A dull blade does not cut grass evenly.
- Wear proper eye protection.

- Sharpening the blade twice during a mowing season is usually sufficient under normal circumstances. Sand causes the blade to dull fast. If your lawn has sandy soil, more frequent sharpenings are required.
- Replace bent or damaged blade immediately.

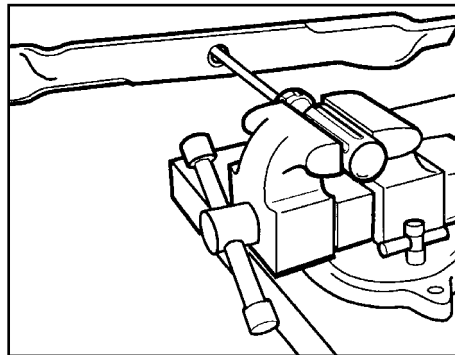
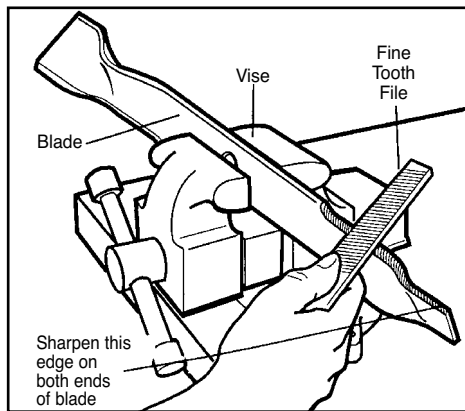
To sharpen blade:

- Make sure blade remains balanced.
- Sharpen blade at the original cutting angle.
- Sharpen cutting edges on both ends of blade, removing equal amounts of material from both ends.
- Secure blade in a vise as shown in figure below.

- Wear safety glasses and be careful not to cut yourself.
- Carefully file the cutting edges of the blade with a fine tooth file or sharpening stone.
- Check balance of blade. See instructions for blade balancing.
- After blade is sharpened and balanced replace blade on mower and tighten securely.

TO BALANCE BLADE

- Check balance of blade by placing center hole in blade over a nail or round screwdriver shank, clamped horizontally in a vise. If either end of the blade rotates downward, file that end. Blade is properly balanced when neither end drops.



MAINTENANCE

CUSTOMER RESPONSIBILITIES TABLE

MAINTENANCE SCHEDULE	SERVICE DATES				
	BEFORE EACH USE	AFTER EACH USE	EVERY 10 HOURS	EVERY 25 HOURS	BEFORE STORAGE
FILL IN DATES AS YOU COMPLETE REGULAR SERVICE					
Check for Loose Fasteners	X			X	
Clean Lawn Mower		X		X	
Check/Sharpen/Replace Blade			X		

GENERAL RECOMMENDATIONS

- Always observe safety rules when performing any maintenance.
- The warranty on this lawn mower does not cover items that have been subjected to operator abuse or negligence. To receive full value from the warranty, operator must maintain mower as instructed in this manual.
- Once a year check blade for wear.
- Follow the maintenance schedule in this manual.
- Before each use check for loose fasteners.

LUBRICATION

No lubrication is required.

IMPORTANT: Do not oil or grease plastic wheel bearings. Viscous lubricants will attract dust and dirt and will shorten the life of the self-lubricating bearings. If you feel they must be lubricated, use only a dry, powdered graphite tube lubricant sparingly.

TIRES

- Keep tires free of gasoline, oil or insect control chemicals which can harm rubber.
- Avoid stumps, stones, deep ruts, sharp objects and other hazards that may cause tire damage.

BLADE CARE

For best results, mower blade must be kept sharp. Replace bent or damaged blades.

CLEANING

- **Release Operator Presence Control Switch to turn mower off, wait for the blade to stop, and unplug mower!**
- Use only mild soap and a damp cloth to clean the mower. Clean out any clippings which may have accumulated on the underside of the deck.

PREVENTING CORROSION

- Fertilizers and other garden chemicals contain agents which greatly accelerate the corrosion of metals. If you mow in areas where fertilizers or chemicals have been used, the mower should be cleaned immediately after use.
- **CAUTION:** DO NOT pour or spray water on the mower.
- Do not store the tool on or adjacent to fertilizers or chemicals. Such storage can cause rapid corrosion.

PRODUCT SPECIFICATIONS

MODEL NUMBER	900.370510
POWER	120v 12 Amp
BLADE SPEED	3600 RPM
CUTTING WIDTH	19"
BLADE BOLT TORQUE:	20-30 FT. LBS.

SERVICE AND ADJUSTMENTS

CAUTION: Before performing any service or adjustments:

- Release operator presence control switch and stop motor.
- Make sure the blade and all moving parts have completely stopped.
- Unplug power cord.

REAR DEFLECTOR

The rear deflector, attached between the

rear wheels of your mower, is provided to minimize the possibility that objects will be thrown out of the rear of the mower into the operator mowing position. If the deflector becomes damaged, it should be replaced.

TO ADJUST CUTTING HEIGHT

To adjust cutting height refer to "Adjust Cutting Height" in Operation section of this manual.

STORAGE

Immediately prepare your lawn mower for storage at the end of the season or if the unit will not be used for 30 days or more.

LAWN MOWER

When lawn mower is to be stored for a period of time, clean it thoroughly, remove all dirt, grease, leaves, etc. Store in a clean, dry area.

- Clean entire lawn mower (See "CLEANING" in the Maintenance section of this manual).
- Be sure that all nuts, bolts, screws, and pins are securely fastened. Inspect

moving parts for damage, breakage and wear. Replace if necessary.

HANDLE

You can fold your lawn mower handle for storage.

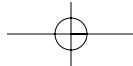
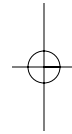
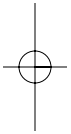
- Ensure that the power cord has been unplugged.
- Loosen both handle knobs.
- Carefully fold the handle forward over the mower.

CAUTION: DO NOT pinch cord between handle and mower shroud.

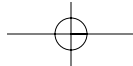
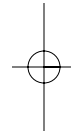
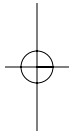
TROUBLE SHOOTING/CORRECTIVE ACTION GUIDE:

PROBLEM	CORRECTIVE ACTION
-Motor will not start	<ul style="list-style-type: none"> - Check fuse or circuit breaker to ensure power is to outlet - Check extension cord with another electrical device to ensure cord is good. - Call customer service representative 1 800 4 MY HOME
-Motor keeps slowing down	<ul style="list-style-type: none"> - The underside of the mower may be plugged with clippings. Turn mower off, wait for blade to stop and UNPLUG mower and clean out. - Grass may be too tall, try pushing at a slower pace, or raise cutting height. - Check blade sharpness and balance, and correct if required. - If mulching, there is too much grass. Turn mower off, wait for blade to stop and UNPLUG mower and attach discharge chute to disperse grass
-Runs but poor cut results	<ul style="list-style-type: none"> - The blade may be dull. Turn mower off, wait for blade to stop and UNPLUG mower and carefully check for sharpness. - Blade may be damaged (bent or badly chipped). Turn mower off, wait for blade to stop and UNPLUG mower and replace if necessary. - Grass may be too high or thick for cutting height. Turn mower off, wait for blade to stop and UNPLUG mower and raise cutting height.
-Excess vibration	<ul style="list-style-type: none"> - Blade may be loose. Turn mower off, wait for blade to stop and UNPLUG mower then check blade for tightness. - Blade may be bent or badly chipped. Turn mower off, wait for blade to stop and UNPLUG mower and replace if necessary. - Blade may be unbalanced. Refer to blade balancing section of instruction manual.
-Mower is hard to push	<ul style="list-style-type: none"> - Mower is too close to the ground with the amount of grass being cut. Turn mower off, wait for blade to stop and UNPLUG mower and raise cutting height. - Turn mower off, wait for blade to stop and UNPLUG mower and check wheels and axles to ensure all are rotating easily.
-Mower leaves clumps of grass	<ul style="list-style-type: none"> - Turn mower off, wait for blade to stop and UNPLUG mower and raise cutting height. - If mulching, there is too much grass. Turn mower off, wait for blade to stop and UNPLUG mower and attach discharge chute to disperse grass - Turn mower off, wait for blade to stop and UNPLUG mower and carefully check blade for sharpness.
-Discharge/Bag plugging	<ul style="list-style-type: none"> - Grass may be too wet to cut. Wait for grass to dry. - Grass may be too wet, try again when grass is dry. - There is too much grass. Turn mower off, wait for blade to stop and UNPLUG mower and raise cutting height.

diagram



parts page



CONTENIDO

Garantía	18	Especificaciones del producto	31
Reglas de seguridad	18	Servicio y ajustes	31
Mantenimiento	21	Almacenaje	31
Ensamblaje	23	Solución a problemas frecuentes	32
Operación	25		
Itinerario de mantenimiento	30		

GARANTÍA

GARANTÍA LIMITADA POR DOS AÑOS EN LA PODADORA CRAFTSMAN

Sears reparará sin cargos cualquier defecto que se presente en materiales o mano de obra de esta podadora Craftsman, durante dos años a partir de la fecha de compra, siempre y cuando se le proporcione el mantenimiento, la lubricación y ajustes necesarios, de conformidad con las instrucciones de mantenimiento y operación señaladas en el manual del propietario.

Si la podadora Craftsman se utilizase con fines comerciales o de renta, esta garantía se aplica únicamente durante 90 días a partir de la fecha de compra. Esta garantía no cubre:

- Piezas que sufran desgaste con el uso normal, como las cuchillas, los adaptadores de cuchillas y las bandas.
- Las reparaciones necesarias debidas a maltrato o negligencia del operador, incluyendo los árboles de las bandas y la falta de mantenimiento al equipo de acuerdo a las instrucciones señaladas en el manual del propietario.

EL SERVICIO EN GARANTÍA ESTÁ A SU DISPOSICIÓN llevando la podadora Craftsman al Centro o Departamento de Servicio Sears más cercano dentro de los Estados Unidos. Esta garantía se aplica únicamente mientras se utilice el producto en los Estados Unidos.

Esta garantía le otorga ciertos derechos específicos, y usted puede tener otros derechos que varíen de estado a estado.

SEARS, ROEBUCK AND CO., DEPT. 817WA, HOFFMAN ESTATES, IL 60179

NORMAS GENERALES DE SEGURIDAD

⚠ PRECAUCIÓN: No intente operar esta podadora hasta que haya leído este manual completamente y comprendido todas las instrucciones, reglas de seguridad, etc., contenidas en este manual. La falta de cumplimiento puede resultar en accidentes que involucren incendio, choque eléctrico o lesiones personales de gravedad. Conserve el manual del propietario y revíselo con frecuencia para continuar con la operación segura y para instruir a terceras personas que pudiesen utilizar esta podadora.

Los estándares de seguridad requieren de la presencia de un interruptor de control con presencia del operador para minimizar la posibilidad de riesgos. Su unidad está equipada con tal dispositivo. No intente apular esta función por ningún motivo.

⚠ ADVERTENCIA: Parte del polvo originado por este producto contiene químicos que en el Estado de California se consideran como causantes de cáncer, defectos congénitos u otros daños reproductivos. Algunos ejemplos de estos

químicos son:

- compuestos en fertilizantes
- compuestos en insecticidas, herbicidas y pesticidas
- arsénico y cromo de madera tratada químicamente

Para reducir su exposición a estos químicos, utilice equipo de seguridad aprobado como máscaras contra polvo diseñadas específicamente para filtrar partículas microscópicas.

⚠ ADVERTENCIA: Este producto contiene químicos, incluyendo plomo, que en el Estado de California se consideran como causantes de cáncer y defectos congénitos u otros daños reproductivos. Lave sus manos después de manejarlo.

⚠ PRECAUCIÓN: Emplee la protección personal y auditiva adecuada durante el uso de este producto. Bajo ciertas condiciones y duración de uso, el ruido producido por este producto puede contribuir a la pérdida auditiva.

NORMAS DE SEGURIDAD: DEFINICIONES

Es importante que lea y comprenda este manual.

La información que contiene está relacionada con la protección de SU SEGURIDAD y la PREVENCIÓN DE PROBLEMAS. Los símbolos que siguen se utilizan para ayudarlo a reconocer esta información.

▲ PELIGRO: Indica una situación de peligro inminente que, si no se evita, provocará la muerte o lesiones graves.

▲ ADVERTENCIA: Indica una situación de peligro potencial que, si no se evita, podría provocar la muerte o lesiones graves.

▲ PRECAUCIÓN: Indica una situación de peligro potencial que, si no se evita, puede provocar lesiones leves o moderadas.

PRECAUCIÓN: Utilizado sin el símbolo de alerta de seguridad indica una situación de peligro potencial que, si no se evita, puede provocar daños en la propiedad.

▲ ADVERTENCIA: Instrucciones y advertencias de seguridad importantes

▲ ADVERTENCIA: Al utilizar aparatos eléctricos para jardín, siempre se deben tomar ciertas precauciones básicas de seguridad para minimizar el riesgo de incendio, descarga eléctrica y lesiones personales.

LEA TODAS LAS INSTRUCCIONES

▲ PRÁCTICAS DE SEGURIDAD IMPORTANTES SOBRE PELIGROS PARA LAS PODADORAS MANUALES

Esta podadora puede amputar manos y pies y arrojar objetos. La inobservancia de las siguientes instrucciones de seguridad puede causar lesiones graves o la muerte.

OPERACIÓN GENERAL

1. Lea, comprenda y siga todas las instrucciones en la podadora y en el manual de instrucciones antes de comenzar.
2. No coloque las manos ni los pies cerca o debajo de la podadora. Manténgase alejado de la apertura de descarga en todo momento.
3. Sólo deje que adultos responsables, familiarizados con las instrucciones,

operen esta podadora.

4. Limpie el área donde se usará la podadora de objetos como piedras, palos, alambres, juguetes, huesos, etc., que pueden ser arrojados por la hoja. Los objetos que la hoja golpee pueden causar lesiones graves a personas. Cuando el motor esté en funcionamiento, permanezca detrás del mango.
5. Antes de operar la podadora, asegúrese de que el área circundante esté libre de espectadores. Todos los espectadores y las mascotas se deben mantener a una distancia segura. Detenga la podadora si alguna persona ingresa en el área circundante.
6. No opere la podadora descalzo o con sandalias. Use siempre calzado cerrado.
7. No tire de la podadora hacia atrás a menos que sea absolutamente necesario. Siempre mire hacia abajo y hacia atrás antes y durante movimientos en retroceso.
8. Nunca apunte el material de descarga hacia una persona. Evite descargar el material contra una pared o un obstáculo. El material puede rebotar en dirección al operador. Cuando atraviese superficies con grava o cuando suelte el mango, libere la palanca del interruptor para apagar la podadora y detener la hoja.
9. No opere la podadora sin la cavidad para el césped, el protector de descarga, el protector trasero o todos los otros dispositivos de protección en su lugar y en funcionamiento. Controle periódicamente todos los protectores y dispositivos de seguridad para asegurarse de que estén en buenas condiciones, funcionen correctamente y cumplan con la función para la que fueron diseñados. Reemplace un protector u otro dispositivo de seguridad dañado antes de volver a usarlo.
10. Nunca deje de supervisar una podadora en funcionamiento.
11. Antes de quitar la cavidad para el césped, desatascar el protector de descarga o limpiar, ajustar, reparar, inspeccionar o dejar la podadora, siempre libere la palanca del interruptor para parar el motor, espere que la hoja se detenga por completo y desenchufe la podadora.
12. Sólo opere la podadora de día o con buena luz artificial de modo que los objetos en el área donde se usará la podadora y en el trayecto de la hoja sean claramente visibles.
13. No opere la podadora bajo el efecto de alcohol o drogas o cuando esté

cansado o enfermo. Manténgase alerta, ponga atención en lo que está haciendo y use el sentido común.

14. Evite los ambientes peligrosos. Nunca opere la podadora sobre pasto húmedo o mojado o con lluvia. Asegure siempre su estabilidad; no corra, camine.
15. Si el sistema de impulsión está equipado, antes de arrancar el motor, destrábelo.
16. Si la cubierta de la podadora comienza a vibrar de modo anormal, libere la palanca del interruptor, espere que la hoja se detenga, desenchufe la podadora y verifique la causa de inmediato. Por lo general, la vibración es la advertencia de un problema.
17. Cuando opere la podadora, utilice siempre protección respiratoria y visual adecuada.
18. El uso de accesorios o dispositivos no recomendados para utilizar con esta podadora puede resultar peligroso. Sólo utilice accesorios aprobados por Sears.
19. Nunca se estire demasiado cuando opere esta podadora. Conserve el equilibrio y párese adecuadamente en todo momento mientras opera la podadora.

FUNCIONAMIENTO EN PENDIENTE

Las pendientes son el factor principal relacionado con los resbalones y las caídas, que pueden causar lesiones graves. La operación en las pendientes requiere precaución extra. Si en una pendiente se siente inseguro, en dicha zona no corte el césped.

1. Corte el césped a través de la cara de las pendientes; nunca hacia arriba y hacia abajo. Tenga extremo cuidado cuando cambia de dirección en las pendientes.
2. Tenga cuidado con los pozos, los baches, las protuberancias u otros objetos escondidos. El terreno desnivelado puede causar un resbalón o una caída. El césped alto puede esconder obstáculos.
3. No corte el césped si el está mojado o en pendientes pronunciadas. Una mala pisada puede causar un resbalón o una caída.
4. No corte el césped cerca de barrancas, zanjas o terraplenes. Puede perder el equilibrio.

NIÑOS

Si el operador no está alerta ante la presencia de niños, pueden ocurrir

accidentes trágicos. Los niños con frecuencia se sienten atraídos por las podadoras y su funcionamiento. Nunca dé por sentado que los niños permanecerán donde los vio por última vez.

1. Mantenga a los niños fuera del área donde se corta el césped y al cuidado de un adulto responsable que no sea el operador.
2. Esté alerta y apague la podadora si un niño ingresa en el área de corte.
3. Nunca deje que un niño opere la podadora.
4. Tenga extremo cuidado cuando se aproxima a esquinas, arbustos, árboles u otros objetos que puedan bloquear la presencia de un niño.

MANTENIMIENTO GENERAL

1. Nunca opere la podadora en un área cerrada.
2. Mantenga todas las tuercas y los pernos ajustados para asegurar que el equipo esté en condiciones seguras de funcionamiento.
3. Nunca altere la podadora con dispositivos de seguridad. Verifique que funcione correctamente con frecuencia.
4. Mantenga la podadora libre de césped, hojas u otros desechos acumulados. Antes de guardar la podadora, deje que se enfríe.
5. Si golpea un objeto extraño, suelte la palanca del interruptor para apagar la podadora, espere que la hoja se detenga, retire la llave de seguridad y luego examine la unidad. Antes de reiniciar la operación con la podadora, repare los daños.
6. Nunca realice ajustes o reparaciones con el motor en funcionamiento o con la llave de seguridad colocada en la podadora.
7. Siempre retire esta llave de seguridad antes de realizar tareas de ajuste, limpieza, reparaciones e inspecciones, o bien antes de transportar la unidad, guardarla o dejarla de utilizar.
8. Controle los componentes de la cavidad para el pasto y el protector de descarga con frecuencia y, cuando sea necesario reemplazar una pieza, use solamente los repuestos recomendados por Black & Decker.
9. Las hojas de la podadora son filosas. Envuelva las hojas, use guantes y tenga mucho cuidado cuando realiza un mantenimiento.
10. Conserve o reemplace las etiquetas de las instrucciones y las etiquetas de seguridad, según sea necesario.

ENTRENAMIENTO

- Lea cuidadosamente este manual del operador. Familiarícese con los controles y sepa a operar su podadora apropiadamente. Aprenda a apagar su podadora rápidamente.
- Utilice la podadora únicamente como se describe en este manual.
- No opere la podadora si se ha caído o dañado en alguna forma. Hágala reparar siempre antes de usarla.
- No opere la podadora sin la extensión recomendada. Asegúrese que la extensión esté en buenas condiciones antes de encender la podadora.
- La cuchilla siempre gira cuando el motor está en funcionamiento.
- Evite el encendido accidental. No juegue con el interruptor de control en presencia del operador cuando no se emplee.

PREPARACION:

- Vístase de manera adecuada. No opere el equipo con los pies descalzos o cuando utilice calzado abierto. Utilice siempre calzado cerrado con buena tracción.
- Haga los ajustes necesarios a las ruedas antes de encender la podadora. Nunca intente hacer ajustes a la altura de las ruedas mientras el motor está en funcionamiento.
- No conecte la podadora hasta que esté lista para usarse.
- Proteja sus pulmones. Utilice una mascarilla o filtro contra polvo si la operación que va a efectuar lo produce.
- Retire las herramientas de ajuste antes de encender la podadora.

OPERACION.



La operación de cualquier podadora puede ocasionar que objetos extraños salgan

despedidos hacia los ojos, con el consiguiente riesgo de daño ocular. Utilice siempre gafas o protectores oculares de seguridad al operar su podadora o al hacerle ajustes o reparaciones. Le recomendamos utilizar una máscara de visión amplia sobre las gafas, a su disposición en Sears.

- Conserve sus ojos y su mente en su podadora y en el área que piense podar. No permita que lo distraiga nada.
- Protéjase contra el choque eléctrico. Repare o reemplace de inmediato los cables y las extensiones dañadas.
- No maltrate el cable. Nunca tire de la podadora por el cable. Desconéctela tiran-

do suavemente de la clavija, no del cable.

- No encienda el motor bajo techo.
- No fuerce la podadora. Esta hará el trabajo mejor y de manera más segura bajo las especificaciones para las que ha sido diseñada. Cuando pade en superficies irregulares o en pasto alto, elija una posición de corte más alta.
- Aléjese del área de la cuchilla. Esté consciente acerca del riesgo de lesiones. Conserve las manos y los pies alejados de la cuchilla.
- **PELIGRO:** NO intente remover el material cortado o destapar la salida cuando la cuchilla esté en movimiento, existe riesgo de lesionarse gravemente.
- Si la podadora se atasca, asegúrese de apagar la podadora, espere a que la cuchilla se detenga y desconecte el cordón eléctrico antes de intentar destapar el canal de salida o de remover cualquier objeto de debajo de la cubierta. Revise cuidadosamente y haga reparar cualquier daño antes de volver a encender la podadora.

MANTENIMIENTO Y ALMACENAJE

- Revise a menudo los tornillos de montaje de la cuchilla y el motor para asegurarse que estén bien apretados.
- Revise a intervalos frecuentes todos que todos los tornillos, tuercas y pijas estén bien apretados para asegurarse que la podadora esté en condiciones seguras de trabajo.
- Conserve el motor libre de pasto, hojas y grasa o aceite excesivos para reducir el riesgo de incendios.
- Conserve siempre afilada la cuchilla de su podadora.
- Conserve la podadora limpia y seca. Utilice siempre un trapo húmedo para limpiarla. Nunca utilice líquido de frenos, gasolina, productos con base de petróleo, solventes, ni agua para limpiar la podadora.
- No pade si el interruptor no funciona. Haga reemplazar un interruptor defectuoso por un técnico de servicio calificado de un centro o departamento de servicio autorizado.

- Revise las partes dañadas. Antes de seguir utilizando la podadora, una guarda u otras partes dañadas deben ser revisadas cuidadosamente para determinar si cumplirán con su función adecuadamente. Revise la alineación de las piezas móviles, la ruptura en piezas, la unión de piezas móviles, el montaje, y cualesquiera otras condiciones que pudiesen afectar su operación. Una guarda u otra pieza dañadas deberán ser reparadas correctamente defectuoso por un técnico de servicio calificado de un centro o departamento de servicio autorizado.
- Cuando efectúe servicio asegúrese que se empleen únicamente refacciones Craftsman idénticas. El servicio a esta podadora debe efectuarlo únicamente un técnico calificado. Le sugerimos que envíe la unidad al centro o departamento de servicio más cercano.
- Cuando cambie la cuchilla, utilice únicamente las piezas recomendadas por el fabricante. El uso de cualquier otra cuchilla puede ocasionar lesiones personales de gravedad o daños a su podadora.
- Guarde la podadora bajo techo. Cuando no la utilice, guárdela en la cochera, en el sótano, etc. El área en donde la guarde deberá estar bajo llave, fuera del alcance de los niños.
- Cuide su podadora. Conserve la cuchilla limpia y afilada para obtener un rendimiento mejor y más seguro. Siga las instrucciones de lubricación y cambio de accesorios.

DOBLE AISLAMIENTO

Su podadora cuenta con DOBLE AISLAMIENTO para seguridad añadida. Las herramientas DOBLEMENTE aisladas se han elaborado de manera integral con dos capas separadas de aislamiento eléctrico o una capa doble de aislamiento entre usted y el sistema eléctrico que contienen.

Las herramientas construidas con este sistema de aislamiento no requieren conectarse a tierra. Como resultado su herramienta está equipada con una clavija de dos patas que le permite emplear cordones de extensión sin preocuparse por tener una conexión a tierra.

NOTA: El DOBLE AISLAMIENTO no substituye a las precauciones normales de seguridad cuando se opera esta podadora. La finalidad de este sistema de aislamiento es ofrecer a usted protección añadida contra lesiones resultantes de fallas en el aislamiento eléctrico interno de la herramienta.

⚠ PRECAUTION: Repare o reemplace los cordones eléctricos dañados. Utilice solamente refacciones Craftsman idénticas cuando haga servicio a cualquier herramienta.

CLAVIJA POLARIZADA

Esta podadora cuenta con una clavija polarizada (con una pata más ancha que la otra) para reducir los riesgos de choque eléctrico. Cuando el cordón eléctrico cuente con este tipo de clavija, ajustará en un contacto polarizado solamente de una manera. Si la clavija no ajusta completamente en su contacto, inviértala. Si aún así no ajusta, llame a un electricista calificado para que le instale un contacto polarizado apropiado. No modifique o haga cambios en la clavija por ningún motivo.

CORDONES DE EXTENSION

Las herramientas con doble aislamiento cuentan con cordones eléctricos de dos conductores y pueden utilizarse con extensiones de 2 o 3 conductores. Solamente deben emplearse extensiones de cubierta cilíndrica, y recomendamos que estén aprobadas por Underwriters Laboratories (U.L.).

⚠ ADVERTENCIA: Para evitar el choque eléctrico utilice solamente extensiones para uso a la intemperie, tales como SW-A, SJWO-A, SOW-A, STW-A, STOW-A, SJW-A, SJTW-A o SJTOW-A

Un cordón de extensión debe tener el calibre adecuado (AWG o American Wire Gauge) por seguridad y para evitar pérdida de potencia y sobrecalentamiento. Cuanto más pequeño el número de calibre del alambre, mayor la capacidad del cable, esto es, el alambre de calibre 16 tiene mayor capacidad que el de calibre 18. Cuando se emplee más de una extensión para lograr la longitud deseada, asegúrese que cada extensión individual se caracterice al menos por el calibre mínimo requerido.

Consulte el cuadro que sigue para identificar el calibre mínimo requerido. (Refiérase a la placa de identificación de su podadora para encontrar el amperaje)

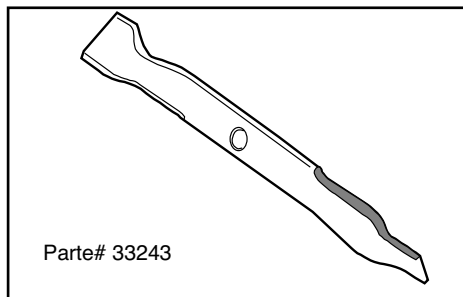
NOTA: El uso de otra longitud o clasificación de extensión disminuirá el rendimiento y posiblemente la duración del motor eléctrico.

Volts	Calibre mínimo para cables de extensión				
	Longitud total del cable en pies				
120V	0-25	26-50	51-100	101-150	
	(0-7,6m)	(7,6-15,2m)	(15,2-30,4m)	(30,4-45,7m)	
240V	0-50	51-100	101-200	201-300	
	(0-15,2m)	(15,2-30,4m)	(30,4-60,9m)	(60,9-91,4m)	
Amperaje		American Wire Gage			
Más de	No más de				
0 - 6	18	16	16	14	
6 - 10	18	16	14	12	
10 - 12	16	16	14	12	
12 - 16	14	12	No se recomienda		

CONSERVE ESTAS INSTRUCCIONES

CUCHILLA DE REPUESTO

La cuchilla de repuesto es la parte #33243 y está a su disposición en las tiendas y centros de servicio Sears.



ENSAMBLAJE

CONTENIDO DE LA CAJA

- Podadora (viene con el inserto de recorte instalado).
- Bolsa para pasto
- Estructura de la bolsa para pasto.

PARA SACAR LA PODADORA DE SU CAJA

Su podadora se ha ensamblado completamente en la fábrica, con excepción de la bolsa para pasto.

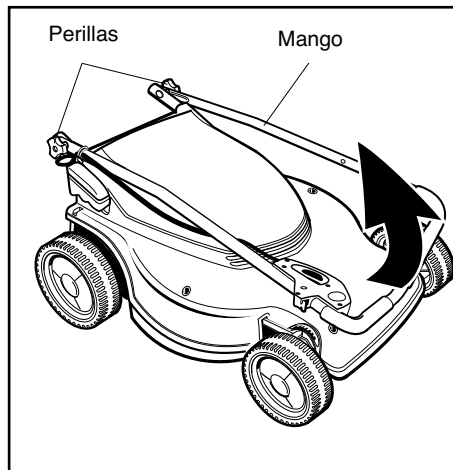
⚠ PRECAUTION: No levante la podadora sujetándola del ajuste de altura de accionamiento con los dedos.

- Saque la estructura de la bolsa para pasto, las bolsa para pasto y los rellenos de cartón.
- Saque la podadora de la caja y coloque las cuatro ruedas en el piso.
- Revise la caja cuidadosamente y asegúrese que no hay piezas sueltas.

Para desplegar el mango

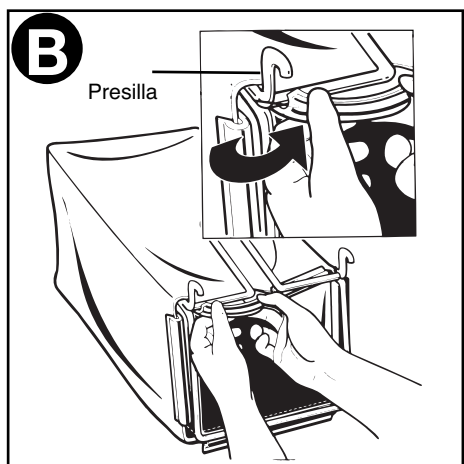
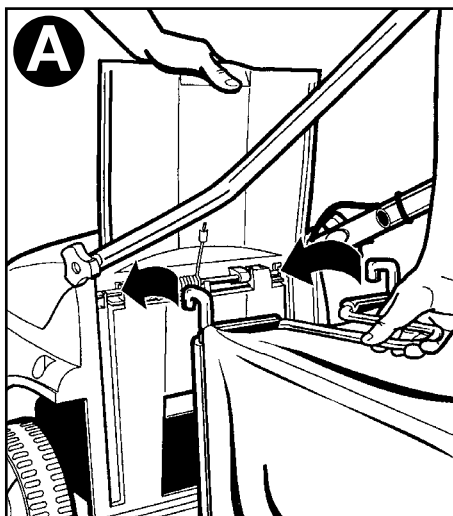
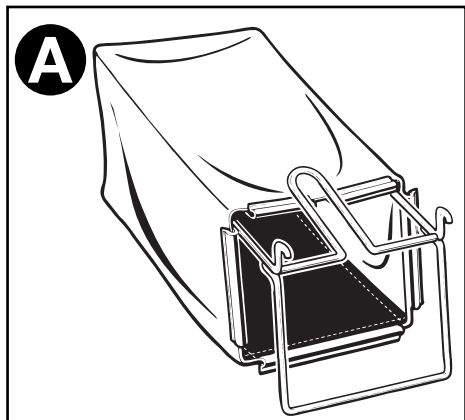
Levante la sección del mango hasta su posición y asegúrela apretando las dos perillas. Consulte la figura a continuación.

⚠ ADVERTENCIA: Por su propia seguridad, NO use esta podadora sin la bolsa para pasto o el inserto recortador en posición de operación.



ENSAMBLAJE DE LA BOLSA PARA PASTO

- Deslice la bolsa para pasto en el armazón. (Observe la Fig. A.)
- La bolsa para pasto tiene unas presillas cosidas alrededor de la abertura.
- Ensamble las dos presillas superiores al armazón, continúe con las dos presillas laterales y deje para el final la presilla inferior. (Observe la Fig. B)
- Consulte la sección "Instalación de la bolsa para pasto" antes de colocarla en la podadora.



INSTALACION DE LA BOLSA PARA PASTO

- Por debajo y en medio de los mangos de la podadora, levante la puerta trasera de descarga hasta que quede en posición vertical y sujétela. (Observe la Fig. A)
- Saque el inserto de recorte. Consulte la página 26 “Remoción del inserto de recorte”.
- Levante la bolsa para pasto por el mango y a continuación bájela entre los mangos de la podadora. Coloque los ganchos de la bolsa en la podadora en la varilla metálica, bajo la puerta trasera. (Observe la Fig. B)
- Suelte la puerta trasera.

⚠ ADVERTENCIA: Nunca opere la podadora a menos que los ganchos de la bolsa estén correctamente asentados en la podadora y la puerta de descarga esté firme contra la parte superior de la bolsa para pasto.

OPERACION

CONOZCA SU PODADORA

LEA ESTE MANUAL DEL PROPIETARIO Y LAS REGLAS DE SEGURIDAD ANTES DE OPERAR SU PODADORA. Compare las ilustraciones con su podadora para familiarizarse con la localización de los diferentes controles y ajustes. Conserve este manual para referencias futuras.

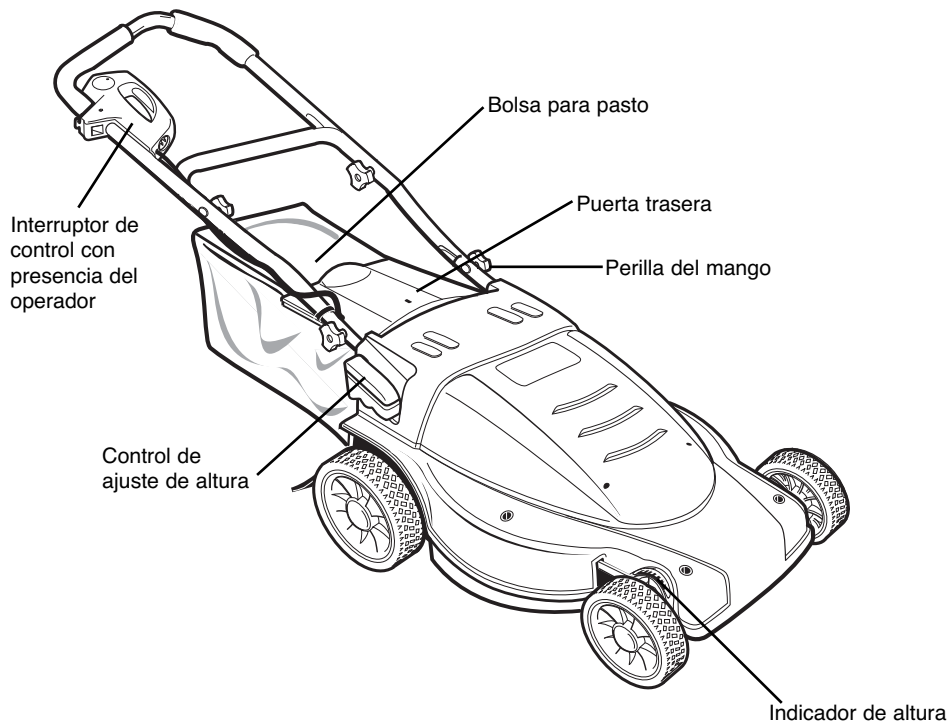
Estos símbolos pueden aparecer en su podadora o en la literatura que se proporciona con el producto. Aprenda y comprenda su significado.



PRECAUTION O
ADVERTENCIA



PELIGRO, CONSERVE
ALEJADOS MANOS Y PIES



CUMPLE CON LOS REQUERIMIENTOS DE SEGURIDAD CPSC

La podadoras eléctricas rotativas Sears cumplen con los estándares de seguridad del American National Standards Institute y del U.S. Consumer Product Safety Commission.

⚠ ADVERTENCIA: La cuchilla gira cuando el motor está en funcionamiento.

Interruptor de control con presencia del operador — Debe sujetarse al mango para encender el motor. Libérese para detener el motor.

Puerta — Permite la conversión para la operación de desbroce o embolsado.

Control de ajuste de altura — Permite ajustar la altura de las cuatro ruedas al mismo tiempo con un sólo movimiento.

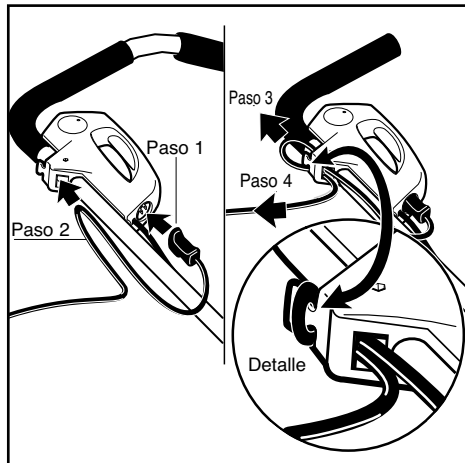
PARA APAGAR LA PODADORA

Para apagar la podadora, suelte completamente el interruptor de control en presencia del operador.

UNION DE LA EXTENSION AL CORDON ELECTRICO DE LA PODADORA

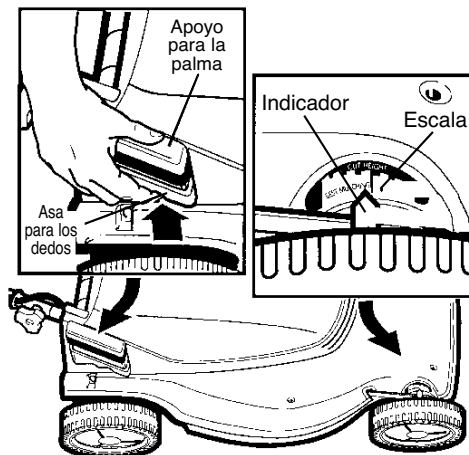
NO conecte la extensión a la toma de corriente hasta que haya terminado de leer este manual y empiece a podar. Lea la sección referente a la “Clavija polarizada” en la página 22 antes de conectar la extensión en la carcasa del interruptor, como se muestra en la figura que sigue.

1. La extensión debe ser polarizada y debe poder conectarse solamente de una manera. Oriente la ranura grande con la pata grande en la carcasa del interruptor.
2. Forme un bucle con el cable prolongador y empuje el bucle hacia arriba, a través del orificio en la carcasa del interruptor.
3. Tire del cable prolongador en el extremo del bucle que está enchufado en la carcasa del interruptor y quite todo el remanente de esta sección del cable prolongador.
4. Coloque el arco sobre el protector de la carcasa del interruptor y tire del cable de extensión de manera que el arco envuelva el protector, como se muestra en el detalle. Revise que no se haya aflojado la clavija del cable de extensión.



AJUSTE DE ALTURA DE CORTE

- Antes de hacer cualquier ajuste, apague y desconecte la podadora, y espere a que la cuchilla deje de girar.
- Utilice el control para regulación de altura a fin de elevar la plataforma y obtener una altura mayor de corte y bajar la plataforma para una altura inferior de corte.
- Ajuste la altura de corte para acomodarse a sus necesidades. La posición media es la mejor para la mayoría de las ocasiones.
- Para aumentar o disminuir la altura de corte, coloque la palma de su mano sobre el descanso para la palma y oprima el asa para los dedos con éstos, sujétela.



- Mientras sujeta el asa para los dedos usted puede aumentar o disminuir la altura de corte. La podadora cuenta con ocho posiciones diferentes. Observe la escala y el indicador en la parte frontal de la podadora. El indicador le mostrará la posición de altura para su césped. Esta posición puede ser una referencia para la próxima vez que quiera cortar su césped a la misma altura. Cuando tenga la podadora en la altura deseada, simplemente libere el asa para los dedos para asegurar el ajuste a esa altura.

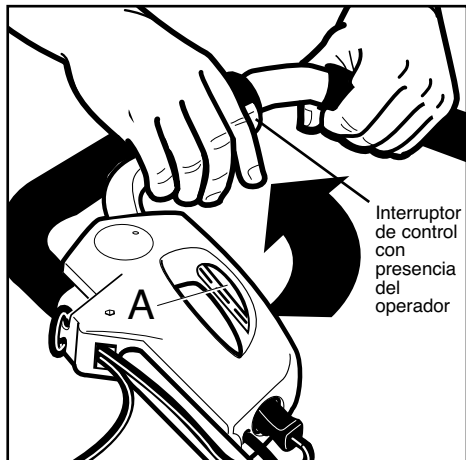
NOTA: Para confirmar que la cubierta esté asegurada en una de las siete posiciones, oprima en el descanso para la palma después de liberar el asa para los dedos.

INTERRUPTOR DE CONTROL CON PRESENCIA DEL OPERADOR

⚠ PRECAUTION: Los reglamentos federales requieren de la instalación de un control para el motor en la podadora, a fin de minimizar el riesgo de lesiones por contacto con la cuchilla. Por NINGUNA circunstancia trate de anular el funcionamiento del control de operación. La cuchilla gira cuando el motor está en funcionamiento.

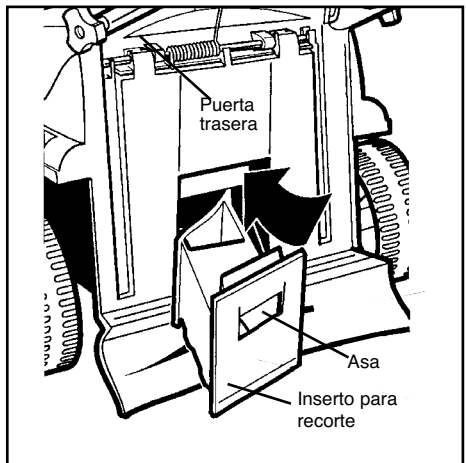
Su podadora de pasto está equipada con una barra de control en presencia del operador que requiere que el operador se coloque detrás del mango de la unidad para encenderla y operarla.

Para operar el interruptor, introduzca su dedo en la abertura (A), y empuje la palanca hacia afuera para que pueda tomarla con la otra mano. Tire de la palanca hacia atrás para encender la unidad y sujétela contra el mango de la podadora para conservarla en funcionamiento. Para pagar la podadora, simplemente libere la palanca. La palanca (con acción de resorte) apagará la podadora inmediatamente.



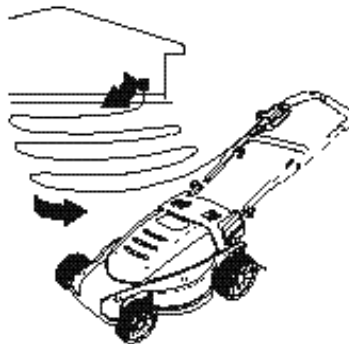
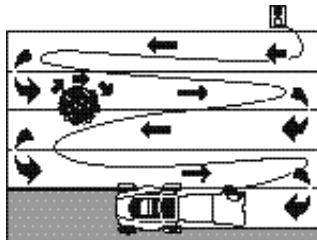
PIEZA PARA MATILLO Y PUERTA TRASERA

La pieza para mantillo está diseñada para minimizar la expulsión hacia atrás de piedras u otros objetos a través de la hoja de la podadora por debajo de la plataforma de la podadora. La pieza para mantillo, junto con la puerta trasera, minimiza la posibilidad de contacto accidental de los pies con la hoja. NO haga funcionar la podadora si la pieza para mantillo y la puerta trasera no se encuentran en su lugar.



⚠ ADVERTENCIA:

- Por su propia seguridad NO utilice esta podadora sin que la bolsa para pasto o el inserto recortador estén en posición de operación.
- No opere la podadora si la puerta trasera no está bajo la tensión del resorte. Lleve su podadora al centro de servicio más cercano para que le efectúen los arreglos necesarios.



PROCEDIMIENTOS DE PODADO

- Revise el área donde se utilizará la podadora y elimine todas las piedras, varas, alambres, huesos y otros desechos que puedan ser arrojados por las cuchillas giratorias.
- Coloque la mayor parte de la extensión cerca de la toma de corriente, fuera del camino de la podadora.

⚠ **PRECAUTION:** No conecte la extensión a la toma de corriente mientras esté parado en agua o tenga las manos mojadas.

- Comience a podar la zona más cercana a la toma de corriente y pade hacia adelante y hacia atrás. Note que el cable se queda en la zona que ya se ha podado.

RECOMENDACIONES DE PODADO

- Pade en sentido perpendicular a las pendientes, nunca hacia arriba y hacia abajo. Tenga cuidado extremo cuando cambie de dirección en las pendientes. No pade pendientes demasiado pronunciadas. Siempre apoye bien los pies.

- Suelte el interruptor para APAGAR (OFF) la podadora y espere que la hoja se detenga antes de atravesar un área pedregosa (la hoja puede expulsar piedras).
- Coloque la podadora en la posición de corte más alta cuando pade en tierra o donde haya hierbas altas.
- Apague la podadora de cuando en cuando y espere a que la cuchilla se detenga por completo. Desconecte el cordón eléctrico y gire la podadora de lado. Elimine el pasto acumulado en la zona de la cuchilla con un objeto similar a una vara. Tenga cuidado con los filos de la cuchilla.
- Si en la estación de crecimiento rápido, se utiliza un recolector de césped, pueden ocurrir atascamientos en la abertura de descarga. APAGUE (OFF) la podadora, espere que la hoja se detenga y desconecte el enchufe del cable de alimentación. Retire el recolector y sacúdalo para que el césped caiga hacia el fondo de la bolsa. Además, limpie el césped y los residuos que se hayan compactado alrededor de la abertura de descarga. Vuelva a colocar el recolector de césped. Limpie con frecuencia en primavera ya que el césped se encuentra húmedo.
- Si la podadora vibra anormalmente, APAGUELA y desconecte el cordón eléctrico. Busque la causa inmediatamente. Las vibraciones son aviso de problemas. No opere la podadora hasta que le hayan efectuado una revisión de servicio.
- **SIEMPRE APAGUE y desconecte la podadora cuando la deje desatendida, aun cuando sea por un periodo corto.**

RECORTE

- Su nueva podadora está diseñada para re-cortar los desechos del pasto varias veces y reducir su tamaño, para que, al caer al césped se disperse y no se note. El pasto se degradará rápidamente y proporcionará nutrientes al césped.
- Su podadora viene de fábrica con el inserto recortador instalado.

RECOMENDACIONES PARA PODADO CON RECORTE

- Para un mejor rendimiento, mantenga la cubierta de la podadora limpia, sin acumulación de césped compactado. Límpiela después de usarla cada vez. Vea LIMPIEZA en la sección de mantenimiento de este manual.
- Evite cortar el césped cuando esté húmedo. El pasto mojado tiende a agruparse y esto interfiere con la acción de recorte. El mejor momento para podar su césped es poco después del mediodía. A esta hora, el pasto estará

completamente seco, y el área recién podada no estará expuesta a la luz directa del sol. Para obtener mejores resultados, ajuste la altura de corte de la podadora para que recorte únicamente la tercera parte superior de las hojas de pasto. Si el césped está demasiado crecido, será necesario aumentar la altura de corte para reducir el efecto de empuje y disminuir la sobrecarga del motor. Para podados extremadamente pesados haga cortes angostos y haga movimientos lentos.

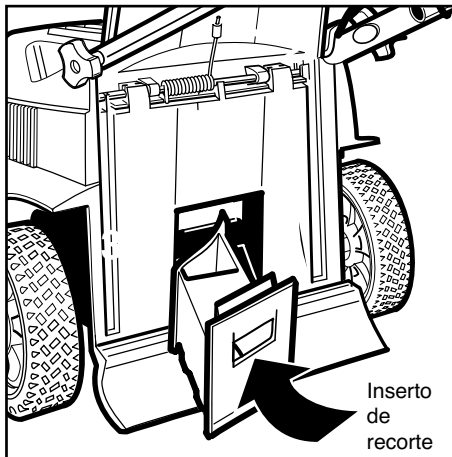
- Ciertos tipos y algunas condiciones de pasto pueden requerir un segundo podado para disimular las irregularidades. Cuando haga el segundo corte, realice el movimiento en forma perpendicular al primero. **SI ESTA PODANDO EN UNA PENDIENTE, NO REALICE EL SEGUNDO CORTE EN FORMA PERPENDICULAR SI ESTO LO OBLIGA CORTAR PARALELAMENTE A LA COLINA.**
- Cambie el patrón de corte de semana a semana. Pade de norte a sur una semana y de este a oeste la siguiente. esto le ayudará a evitar que el corte quede disparejo.

REMOCION DEL INSERTO DE RECORTE

- Apague la podadora, espere a que la cuchilla se detenga y desconéctela.
- Levante la puerta trasera y sujétela.
- Coloque su mano en la abertura, levante y tire completamente del inserto recortador.
- La puerta trasera para descarga funciona con un resorte. Cuando libere el resorte la puerta regresará a la posición cerrada.

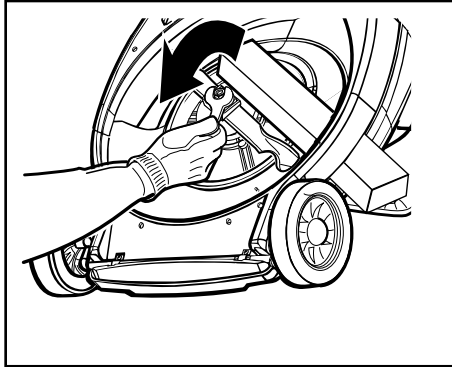
INSTALACION DEL INSERTO RECORTADOR

- Apague la podadora, espere a que la cuchilla se detenga y desconéctela.
- Levante la puerta trasera y deslice el inserto recortador por la abertura de descarga hasta que haga contacto firme con la cubierta.
- Suelte la puerta trasera.

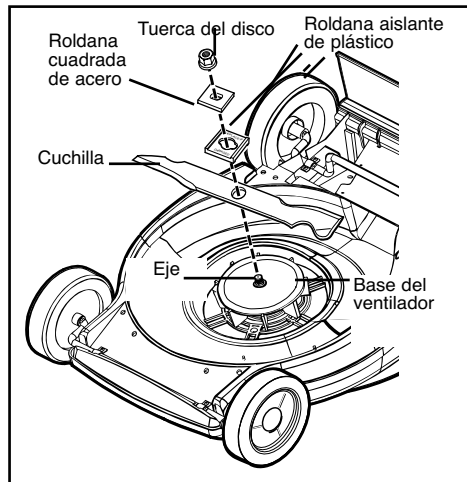


REMOCION DE LA CUCHILLA

- ¡Libere la palanca del interruptor para apagar la podadora, espera a que la cuchilla se detenga y desconecte la podadora!
- Corte una pieza de madera de 10 cm de ancho por 60 cm de longitud para evitar que la cuchilla gire cuando quite la tuerca.
- Emplee guantes. Coloque la tabla y quite la tuerca como se ilustra.



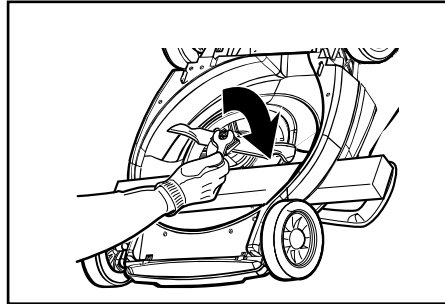
- Quite el la roldana cuadrada de acero, el aislador de plástico y la cuchilla.



CAMBIO DE LA CUCHILLA

- Coloque la cuchilla en el eje de manera que los bordes queden paralelos a los lados planos del eje. Asegúrese de colocar la cuchilla de manera que los filos queden de cara al suelo al funcionar la podadora.
- Coloque el aislador de plástico en el eje de manera que los dos bordes en relieve de la roldana queden sobre los bordes de la cuchilla.

- Coloque la roldana cuadrada de acero en el eje de manera que los lados rectos de la roldana queden paralelos a los lados planos del eje.
- Coloque la tuerca de la cuchilla en el eje. Asegúrese que todas las partes estén alineadas. Coloque la madera de manera que evite que la flecha gire y apriete la tuerca a 20 a 30 libras-pie.



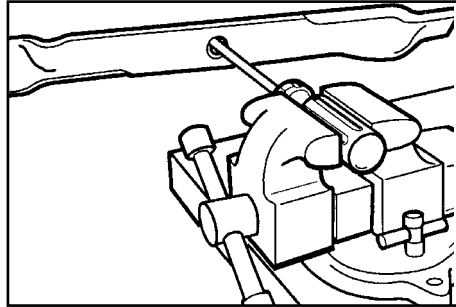
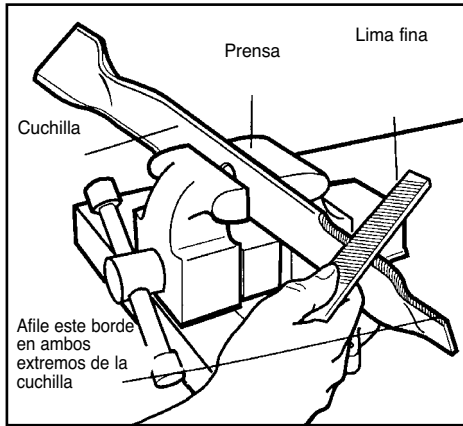
Afilado de la cuchilla

- Conserve la cuchilla afilada para obtener mejor rendimiento de la podadora. Una cuchilla desafilada no corta el pasto en forma uniforme.
- Utilice siempre protección para los ojos.
- Afilado la cuchilla dos veces durante la temporada de podado es suficiente bajo circunstancias normales. La arena desfila la cuchilla rápidamente. Si su suelo tiene tierra arenosa, afile la cuchilla con mayor frecuencia.
- Reemplace las cuchillas dañadas o dobladas inmediatamente.
- Para afilar la cuchilla:
 - Asegúrese que la cuchilla está balanceada.
 - Afile la cuchilla en el ángulo de corte original.
 - Afile los bordes cortantes en ambos extremos de la cuchilla, removiendo la misma cantidad de material de ambos.
 - Asegure la cuchilla en una prensa como se ilustra.
- Utilice gafas de seguridad y tenga cuidado de no cortarse.
- Afile cuidadosamente los bordes cortantes de la cuchilla con una lima de dientes finos o con una piedra de afilar.
- Verifique el balance de la cuchilla. Vea las instrucciones para balancear la cuchilla.
- Vuelva a colocar la cuchilla en la podadora y apriete con firmeza.

BALANCEO DE LA CUCHILLA

- Verifique el balanceo de la hoja ubicando el agujero central en la hoja a través de un clavo o de un destornillador de cuerpo redondo, previamente asegu-

rados en la prensa en dirección horizontal. Si alguno de los extremos de la hoja rota hacia abajo, lime ese extremo. La hoja está bien balanceada cuando ninguno de los extremos rota hacia abajo.



MANTENIMIENTO

CUADRO DE RESPONSABILIDADES DEL USUARIO

ITINERARIO DE MANTENIMIENTO LLENE LAS FECHAS EN QUE EFECTUA EL SERVICIO REGULAR	FECHAS DE SERVICIO				
	ANTES DE CADA USO	DESPUES DE CADA USO	CADA 10 HORAS	CADA 25 HORAS	ANTES DE GUARDARLA
Revisión de tornillos flojos	X			X	
Limpieza de la podadora		X		X	
Revisar/Afilar/Cambiar cuchilla			X		

RECOMENDACIONES GENERALES

- Observe siempre las reglas de seguridad cuando efectúe cualquier tipo de mantenimiento.
- La garantía de esta podadora no cubre partes que hayan sufrido maltrato o abuso por parte del operador. Para recibir el valor completo de la garantía, el operador debe dar mantenimiento a la podadora como se indica en este manual.
- Todos los ajustes que se mencionan en las secciones de Ajustes y Servicio deben revisarse por lo menos una vez cada temporada.
- Revise el desgaste en la cuchilla una vez al año.
- Siga el itinerario de mantenimiento de este manual.

- Antes de cada uso revise en busca de tornillos y tuercas flojos.

LUBRICACION

No se requiere lubricación.

IMPORTANTE: No aceite ni engrase los baleros de las ruedas de plástico. Los lubricantes viscosos atraen el polvo y la mugre y acortarán la vida de los baleros auto lubricantes. Si usted piensa que deben ser lubricados, utilice únicamente lubricante de grafito pulverizado.

LLANTAS

- Conserve las llantas libres de gasolina, aceite o pesticidas que puedan dañar el hule.
- Evite baches, piedras, agujeros profundos, objetos afilados y otros peligros que puedan dañar las llantas.

CUIDADO DE LA CUCHILLA

Para obtener mejores resultados, la cuchilla de la podadora debe estar afilada. Reemplace las cuchillas dobladas o dañadas.

LIMPIEZA

- ¡Libere el interruptor de control en presencia del operador, espere a que se detenga la cuchilla y desconecte la podadora!
- Utilice únicamente jabón suave y un trapo húmedo para limpiar la podadora. Limpie las ranuras en donde se hayan acumulado desechos en la parte interior de la cubierta. Después de varios usos, verifique que todos los tornillos estén apretados.

EVITE LA CORROSION

- Los fertilizantes y otros productos químicos para jardinería contienen agentes que aceleran la corrosión de los metales. Si poda en áreas en donde se han utilizado fertilizantes u otros químicos, la podadora deberá ser limpiada inmediatamente.
- **⚠ PRECAUTION:** NO vacíe o rocíe agua sobre la podadora para limpiarla.
- No guarde la herramienta en donde hay fertilizantes o agentes químicos ni cerca de ellos, pues esto causa corrosión acelerada.

ESPECIFICACIONES DEL PRODUCTO

NUMERO DE MODELO	900.370510
ALIMENTACION	120 V~, 12 A
VELOCIDAD DE LA CUCHILLA	3600 RPM
CORTE	482,6 mm (19 pulg.)
PAR DEL TORNILLO DE LA CUCHILLA	20-30 FT.LBS.

SERVICIO Y AJUSTES

⚠ PRECAUTION: Antes de realizar cualquier servicio o ajustes:

- Libere el interruptor de control en presencia del operador y pare el motor.
- Asegúrese que la cuchilla y todas las piezas móviles se hayan detenido.
- Desconecte el cable de alimentación.

DEFLECTOR TRASERO

Refiérase a la sección de operación, "Ajuste de la altura de corte" en este manual.

ALMACENAJE

Prepare su podadora para almacenarla inmediatamente al término de la temporada si no se usará durante 30 días o más. Cuando la podadora deba guardarse por cierto tiempo, límpiela a conciencia, elimine toda la mugre, grasa, hojas, etc. Guárdela en un lugar limpio y seco.

- Limpie la podadora completa (Véase "LIMPIEZA" en la sección de mantenimiento de este manual).
- Asegúrese que todos los tornillos, tuercas y pijas estén apretados. Inspeccione las piezas móviles en busca de daños, rupturas y desgaste. Cambie en caso necesario.

MANGO

Usted puede plegar su podadora para guardarla.

- Asegúrese que el cable esté desconectado.
- Afloje ambas perillas del mango.
- Doble cuidadosamente el mango hacia delante sobre la podadora.

⚠ PRECAUTION: NO machuque el cable entre el mango y la cubierta de la podadora.

PROBLEMA	MEDIDA CORRECTIVA
- El motor no arranca	<ul style="list-style-type: none"> - Controle el fusible o el interruptor automático para asegurar que llegue corriente al tomacorriente - Controle el cable prolongador con otro dispositivo eléctrico para asegurar que funcione. - Llame al representante de atención al cliente al 1 800 4 MY HOME
- El motor sigue funcionando despacio	<ul style="list-style-type: none"> - La parte inferior de la podadora puede estar taponada con recortes de césped. Apague la podadora, espere que la hoja se detenga, desenchufe la podadora y límpiela. - Es posible que el césped esté muy alto. Intente empujar a un ritmo más lento o aumente la altura de corte. - Controle el filo y el equilibrio de la hoja y, de ser necesario, corrija. - Está desbrozando y hay mucho césped. Apague la podadora, espere que la hoja se detenga, DESENCHUFE la podadora, y anexe el conducto de descarga para dispersar e césped.
- Funciona pero corta	<ul style="list-style-type: none"> - Es posible que la hoja esté desafilada. Apague la podadora, poco espere que la hoja se detenga, DESENCHUFE la podadora y verifique con cuidado el filo de la hoja. - Es posible que la hoja esté dañada (doblada o muy astillada). Apague la podadora, espere que la hoja se detenga, DESENCHUFE la podadora y, de ser necesario, reemplace la hoja. - Es posible que el césped sea muy alto o espeso para la altura de corte. Apague la podadora, espere que la hoja se detenga, DESENCHUFE la podadora y aumente la altura de corte.
- Exceso de vibración	<ul style="list-style-type: none"> - Es posible que la hoja se detenga, DESENCHUFE la podadora y verifique si la hoja está bien ajustada. - Es posible que la hoja esté doblada o muy astillada. Apague la podadora, espere que la hoja se detenga, desenchufe la podadora y, de ser necesario, reemplace la hoja. - Es posible que la hoja no esté nivelada. Consulte la sección de nivelado de la hoja del manual de instrucciones.
- La podadora no se puede mover con facilidad	<ul style="list-style-type: none"> - La podadora está muy cerca del suelo con respecto a la cantidad de césped que se desea cortar. Apague la podadora, espere que la hoja se detenga, DESENCHUFE la podadora y aumente la altura de corte. - Apague la podadora, espere que la hoja se detenga, DESENCHUFE la podadora y verifique que las ruedas y los ejes giren con facilidad.
-La podadora deja terrones de césped	<ul style="list-style-type: none"> - Apague la podadora, espere que la hoja se detenga, DESENCHUFE la podadora y verifique que las ruedas - Está desbrozando y hay mucho césped. Apague la podadora, espere que la hoja se detenga, DESENCHUFE la podadora, y anexe el conducto de descarga para dispersar el césped. - Apague la podadora, espere que la hoja se detenga, DESENCHUFE la podadora y verifique que la hoja esté afilada. - Es posible que el césped esté muy mojado para cortarlo. Espere que el césped se seque.
-Taponamiento de la bolsa o el conducto de descarga	<ul style="list-style-type: none"> - Es posible que el césped esté muy mojado. Vuelva a intentar cuando se seque. - Hay demasiado césped. Apague la podadora, espere que la hoja se detenga, DESENCHUFE la podadora y aumente la altura de corte.

Get it fixed, at your home or ours!

Your Home

For expert troubleshooting and home solutions advice:

manage my home

www.managemyhome.com

For repair – **in your home** – of **all** major brand appliances, lawn and garden equipment, or heating and cooling systems, **no matter who made it, no matter who sold it!**

For the replacement parts, accessories and owner's manuals that you need to do-it-yourself.

For Sears professional installation of home appliances and items like garage door openers and water heaters.

1-800-4-MY-HOME[®] Call anytime, day or night
(1-800-469-4663) (U.S.A. and Canada)
www.sears.com www.sears.ca

Our Home

For repair of carry-in items like vacuums, lawn equipment, and electronics, call anytime for the location of the nearest **Sears Parts & Repair Service Center**

1-800-488-1222 (U.S.A.) **1-800-469-4663** (Canada)
www.sears.com www.sears.ca

To purchase a protection agreement on a product serviced by Sears:

1-800-827-6655 (U.S.A.) **1-800-361-6665** (Canada)

Para pedir servicio de reparación a domicilio, y para ordenar piezas:

1-888-SU-HOGAR[®]
(1-888-784-6427)

Au Canada pour service en français:

1-800-LE-FOYER^{MC}
(1-800-533-6937)
www.sears.ca

© Sears Brands, LLC

® Registered Trademark / ™ Trademark / ™ Service Mark of Sears Brands, LLC

® Marca Registrada / ™ Marca de Fábrica / ™ Marca de Servicio de Sears Brands, LLC

^{MC} Marque de commerce / ^{MD} Marque déposée de Sears Brands, LLC