

Instruction Manual

1/2 Sheet Finishing Sander

4015

To determine the minimum wire size required, refer to chart below.

CHART FOR MINIMUM WIRE SIZE (AWG) OF EXTENSION CORDS

NAMEPLATE RATING-AMPS	25	50	75	100	125	150	175	200
0 - 10.0	18	18	16	16	14	14	12	12

Before using an extension cord, inspect it for loose or exposed wires, damaged insulation, and defective fittings. Make any repairs or replace the cord if necessary. Black & Decker has extension cords available that are U.L. listed for outdoor use.

Important!

To assure product **SAFETY** and **RELIABILITY**, repairs maintenance and adjustment should be performed by **BLACK & DECKER** Service Centers or other qualified service organizations, always using **BLACK & DECKER** replacement parts.

Warranty

Eiu warrants this product for one year from date of purchase. We will repair without charge, any defects due to faulty material or workmanship. Please return the complete unit, transportation prepaid, to any Black & Decker Service Center or authorized Service Station listed under "Tools Electric" in the yellow pages. This warranty does not apply to accessories or damage caused where repairs have been made or attempted by others.

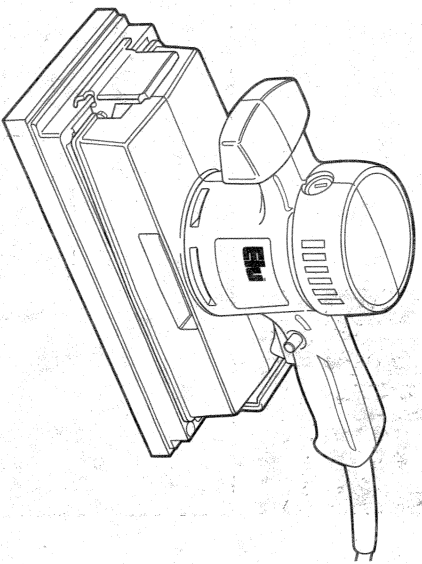
Like most Black & Decker products your tool is listed by Underwriters Laboratories to ensure that it meets stringent safety requirements.



This symbol on the nameplate means the product is listed by Underwriters Laboratories, Inc.



See 'Tools-Electric'
-Yellow Pages-
for Service & Sales



Thanks for Buying an Elu Finishing Sander

Your new Finishing Sander is every bit the professional you've come to expect from Elu. Built to exacting standards for quality and value that will give you years of trouble free service.

You can sand on wood or metal. The big, no-nonsense metal clamps hold the paper securely for hassle free sanding. The high durability rubber pad accepts regular or

adhesive backed sandpaper. The cast aluminum housing is both tough and lightweight.

Please take the time to read this informative instruction manual and pay particular attention to the safety rules we've provided for your protection.

Don't forget to send in your owner's registration card. Once again, Thanks for buying Elu.

EluTM
WOODWORKING TOOLS BY
BLACK & DECKER

A. PERSONAL SAFETY

1. No children or pregnant women should enter the work area where paint sanding is being done until all clean-up is completed.

2. A dust mask or respirator should be worn by all persons entering the work area. The filter should be replaced daily or whenever the wearer has difficulty breathing.

NOTE: ONLY THOSE DUST MASKS SUITABLE FOR WORKING WITH LEAD PAINT DUST AND FUMES SHOULD BE USED. ORDINARY PAINTING MASKS DO NOT OFFER THIS PROTECTION. SEE YOUR LOCAL HARDWARE DEALER FOR THE PROPER NIOSH APPROVED MASK.

3. **NO EATING, DRINKING OR SMOKING** should be done in the work area to prevent ingesting contaminated paint particles. Workers should wash and clean up **BEFORE** eating, drinking or smoking. Articles of food, drink or smoking should not be left in the work area where dust would settle on them.

B. ENVIRONMENTAL SAFETY

1. Paint should be removed in such a manner as to reduce the amount of dust generated.

2. Areas where paint removal is occurring should be sealed with plastic sheeting of 4 mils thickness.

3. Sanding should be done in a manner to reduce tracking of paint dust outside the work area.

C. CLEANING AND DISPOSAL

1. All surfaces in the work area should be vacuumed and thoroughly cleaned daily for the duration of the sanding project. Vacuum filter bags should be changed frequently.

2. Plastic drop cloths should be gathered up and disposed of along with any dust chips or removable debris. They should be placed in sealed refuse receptacles and disposed of through regular trash pick up procedures.

During clean up, children and pregnant women should be kept away from the immediate work area.

3. All toys, washable furniture and utensils should be washed thoroughly before being used again.

Accessories & Service

A complete listing of service centers is included on the owner's registration card packed with your tool.

If you need assistance in locating any accessory, please contact:

Black & Decker (U.S.) Inc.
Consumer Service Department
626 Hanover Pike
P. O. Box 618
Hampstead, MD 21074-0618

Extension Cords

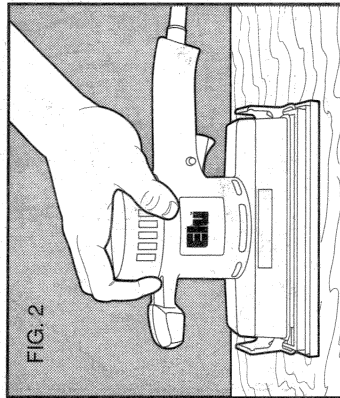
Tools that have 3 wire cords requiring grounding must only be used with extension cords that have 3-prong grounding type plugs and 3-pole receptacles. Only round jacketed extension cords should be used, and we recommend that they be listed by Underwriters Laboratories (U.L.). If the extension will be used outside, the cord must be suitable for outdoor use. Any cord marked as outdoor can also be used for indoor work. The letters "WA" on the cord jacket indicate that it is acceptable for outdoor use.

An extension cord must have adequate wire size (AWG or American Wire Gauge) for safety, and to prevent loss of power and overheating. The smaller the gauge number of the wire, the greater the capacity of the cable, that is 16 gauge has more capacity than 18 gauge. When using more than one extension to make up the total length, be sure each individual extension contains at least the minimum wire size.

FINE (150 to 180-grit) for a scratch-free surface.

EXTRA FINE (220-grit or more) for the final stages of obtaining a silky-smooth finish.

Each grade of sandpaper can only refine the wood surface to the limits of its grit size. When you are no longer making noticeable improvement with a certain grit, switch to a finer one. Sand only as much as necessary to achieve a blemish-free surface.



When selecting paper for your pad sander, you will need to consider the benefits of full sheets versus pre-cut sheets. While full sheets are less expensive and it is not difficult to cut (use a pair of old scissors as cutting sandpaper will dull them quickly) them to size, pre-cut sheets are ready to use and less likely to fray.

Before beginning and several times during the process, use a tack cloth to remove wood dust and grit. Keep several tack cloths on hand, and discard them when they are full of dust. After the final sanding, use a clean tack cloth to assure that the surface is completely dust-free.

NOTE: Tack cloths are available at most hardware stores.

On softwoods, such as pine, a sanding sealer applied between coats will prevent the "fuzzing" of the wood.

Keep some steel wool handy (from the coarse 1/0 grade to the 3/0 fine grade) to smooth molded edges and carved surfaces. Take care not to over-rub with steel wool, because it can polish the surface and seal the pores, which will make staining difficult. Before applying a finish, be sure that all steel wool particles are completely removed from the surface.

GETTING DOWN TO WORK

Organize your work area with the necessary equipment and materials. If your project is movable, secure it to a solid horizontal surface, such as a workbench, at a comfortable height. If the surface to be sanded is built-in or architectural, protect the surrounding area from dust. Also, make sure you have ample light available so you can detect flaws or rough spots.

Grasp both the switch handle and the front knob and pull the trigger to turn the tool on. Move it in long, sweeping strokes along the surface being sanded, letting it do the work. Pushing down on the tool while sanding actually slows the removal rate and produces an inferior quality surface. The orbital action of the sander lets you sand with the grain or at any angle across it. Be sure to check your work often, this sander is capable of removing material rapidly, especially with coarse paper.

When sanding painted surfaces, you may find that the sandpaper loads up and clogs with paint. In these cases a Black & Decker Heat Gun will work better to remove paint before sanding.

Your sander is designed to sand flush on three sides and is ideal for getting into corners.

To produce the smoothest finish possible, start with coarse grit sandpaper and then go to a medium grit. When a smooth surface has been attained, use fine grit paper and, finally, a piece of extra fine grit paper until a really professional looking finish is achieved. In many cases, this last step eliminates the need for any hand sanding at all.

Precautions to Take When Sanding Paint

- I. Sanding of lead based paint is NOT RECOMMENDED due to the difficulty of controlling the contaminated dust. The greatest danger of lead poisoning is to children and pregnant women.
- II. Since it is difficult to identify whether or not a paint contains lead without a chemical analysis, we recommend the following precautions when sanding any paint.

SAFETY INSTRUCTIONS

WARNING: When using Electric Tools, basic safety precautions should always be followed to reduce risk of fire, electric shock, and personal injury, including the following:

READ ALL INSTRUCTIONS

1. **KEEP WORK AREA CLEAN.** Cluttered areas and benches invite injuries.
2. **CONSIDER WORK AREA ENVIRONMENT.** Don't expose power tools to rain. Don't use power tools in damp or wet locations. Keep work area well lit.
3. **GUARD AGAINST ELECTRIC SHOCK.** Prevent body contact with grounded surfaces. For example: pipes, radiators, ranges, refrigerator enclosures.
4. **KEEP CHILDREN AWAY.** All visitors should be kept away from work area. Do not let visitors contact tool or extension cord.
5. **STORE IDLE TOOLS.** When not in use, tools should be stored in dry, and high or locked-up place - out of reach of children.
6. **DON'T FORCE TOOL.** It will do the job better and safer at the rate for which it was intended.
7. **USE RIGHT TOOL.** Don't force small tool or attachment to do the job of a heavy-duty tool. Don't use tool for purpose not intended, for example, don't use circular saw for cutting tree limbs or logs.
8. **DRESS PROPERLY.** Do not wear loose clothing or jewelry. They can be caught in moving parts. Rubber gloves and non-skid footwear are recommended when working outdoors. Wear protective hair covering to contain long hair.
9. **USE SAFETY GLASSES.** Also use face or dustmask if cutting operation is dusty.
10. **ALWAYS WEAR RESPIRATOR** when sanding.
11. **DON'T ABUSE CORD.** Never carry tool by cord or yank it to disconnect from receptacle. Keep cord from heat, oil, and sharp edges.
12. **SECURE WORK.** Use clamps or a vise to hold work. It's safer than using your hand and it frees both hands to operate tool.
13. **DON'T OVERREACH.** Keep proper footing and balance at all times.
14. **MAINTAIN TOOLS WITH CARE.** Keep tools sharp and clean for better and safe performance. Follow instructions for lubricating and changing accessories. Inspect tool cords periodically and if damaged have repaired by authorized service facility. Inspect extension cords periodically and replace if damaged. Keep handles dry, clean, and free from oil and grease.
15. **DISCONNECT TOOLS.** When not in use, before servicing, and when changing accessories, such as blades, bits, cutters.
16. **REMOVE ADJUSTING KEYS AND WRENCHES.** Form habit of checking to see that keys and adjusting wrenches are removed from tool before turning it on.
17. **AVOID UNINTENTIONAL STARTING.** Don't carry plugged-in tool with finger on switch. Be sure switch is off when plugging in.
18. **OUTDOOR USE EXTENSION CORDS.** When tool is used outdoors, use only extension cords intended for use outdoors and so marked.
19. **STAY ALERT.** Watch what you are doing. Use common sense. Do not operate tool when you are tired.
20. **CHECK DAMAGED PARTS.** Before further use of the tool, a guard or other part that is damaged should be carefully checked to determine that it will operate properly and perform its intended function. Check for alignment of moving parts, binding of moving parts, breakage of parts, mounting, and any other conditions that may affect its operation. A guard or other part that is defective should be properly repaired or replaced by an authorized service center unless otherwise indicated elsewhere in this instruction manual. Have defective switches replaced by authorized service center. Do not use tool if switch does not turn it on and off.
21. **DO NOT OPERATE** portable electric tools near flammable liquids or in gaseous or explosive atmospheres. Motors in these tools normally spark, and the sparks might ignite fumes.

SAVE THESE INSTRUCTIONS

Special Safety

Instructions For Sanders

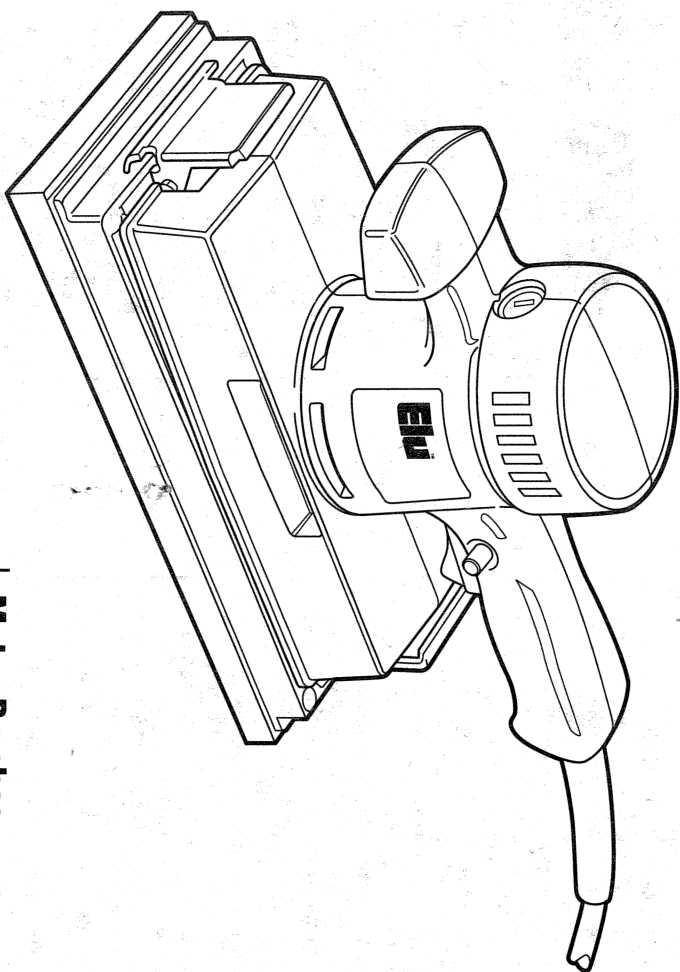
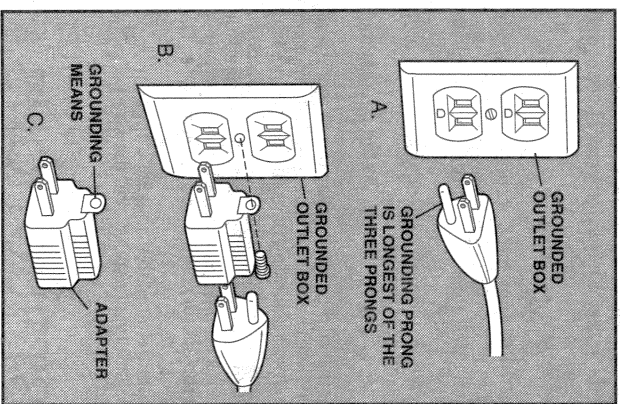
- Always wear eye protection and a respirator when sanding.
- See Page 6 for special cautions concerning the removal of lead based paint.

Grounding

This tool should be grounded while in use to protect the operator from electric shock. The tool is equipped with an approved three-conductor cord and three-prong grounding type plug to fit the proper grounding type receptacle. The green (or green and yellow conductor in the cord) is the grounding wire. Never connect the green (or green and yellow) wire to a live terminal.

Your unit is for use on less than 150 volts; it has a plug like that shown in Figure A. An adapter, Figures B and C, is available for connecting Figure A plugs to two-prong receptacles. The green-colored rigid ear, lug, etc., must be connected to a permanent ground such as a properly grounded outlet box.

Adapter shown in Figures B & C is not for use in Canada.



We recommend that you NEVER disassemble the tool or try to do any rewiring in the electrical system. Any repairs should be performed only by B & D Service Centers or other qualified service organizations. Should you be determined to make a repair yourself, remember that the green colored wire is the "grounding" wire. Never connect this green wire to a "live" terminal. If you replace the plug on the power cord, be sure to connect the green wire only to the grounding (longest) prong on a 3-prong plug.

Motor

Your Elu tool is powered by an industrial duty motor. Be sure your power supply agrees with the nameplate making.

Volts AC only means your tool must be operated only with alternating current and never with direct current.

Voltage decrease of more than 10% will cause loss of power and overheating. All Elu tools are factory tested; if this tool does not operate, check the power supply.

Motor Brushes

Inspect carbon brushes regularly by unplugging the tool, removing the brush inspection caps and withdrawing the spring and brush assemblies. Replace the assembly if the brush is worn down to the line closest to the spring, or if spring exerts insufficient pressure to hold brush against commutator. Keep brushes clean and sliding freely in their guides.

SAVE THESE INSTRUCTIONS

Switch

To start tool, depress trigger switch; to stop tool, release trigger. To lock trigger in "ON" position for continuous operation, depress trigger and push in locking button (located next to trigger). To release locking mechanism, depress trigger and release.

Attaching Abrasive Paper

Your sander uses standard 4-1/2" x 11" paper. It will also accept 1/2 sheet P.S.A. paper.)

1. Depress clamp and hold in open position, insert paper and release clamp, as shown in Figure 1.
2. Draw paper tight across pad toward front of unit and repeat clamping operation.

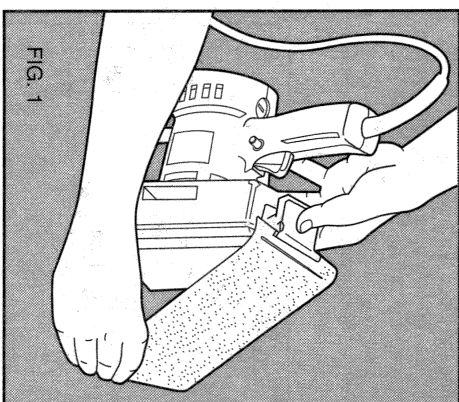


FIG. 1

Operation

Sanding is necessary to bring out the true beauty of any type of wood. Applying a finish to poorly prepared wood will emphasize flaws, scratches and imperfections, but sanding the wood carefully beforehand will assure the quality of the finished piece.

BE PREPARED

Before beginning a sanding project, be sure you have the right equipment and accessories. Stock up on sandpaper in a variety of grits:

Silicon carbide paper is the most durable but it is also the most expensive and may be hard to find.

Aluminum oxide paper is more widely available, less expensive, quite durable and can be used for a wide range of projects.

Use close-coat papers for most power sanding projects. If clogging becomes a problem, try an open-coat paper (especially in the coarser grits).

Use COARSE (60 to 80-grit) only for blemished or very rough surfaces. MEDIUM (100 to 120-grit) can be used for surface defects.