

Instruction Manual

Pavement Breaker

5027

Warranty

Black & Decker (U.S.) Inc. warrants this product for one year from the date of purchase. We will repair without charge, any defects due to faulty material or workmanship. Please return the complete unit, transportation prepaid, to any Black & Decker Service Center or Authorized Service Station listed under "Tools Electric" in the yellow pages. This warranty does not apply to accessories or damage caused where repairs have been made or attempted by others.

Like most Black & Decker tools, this tool is listed by Underwriters Laboratories to ensure that it meets stringent safety requirements.



This symbol on the nameplate means the product is listed by Underwriters Laboratories, Inc.



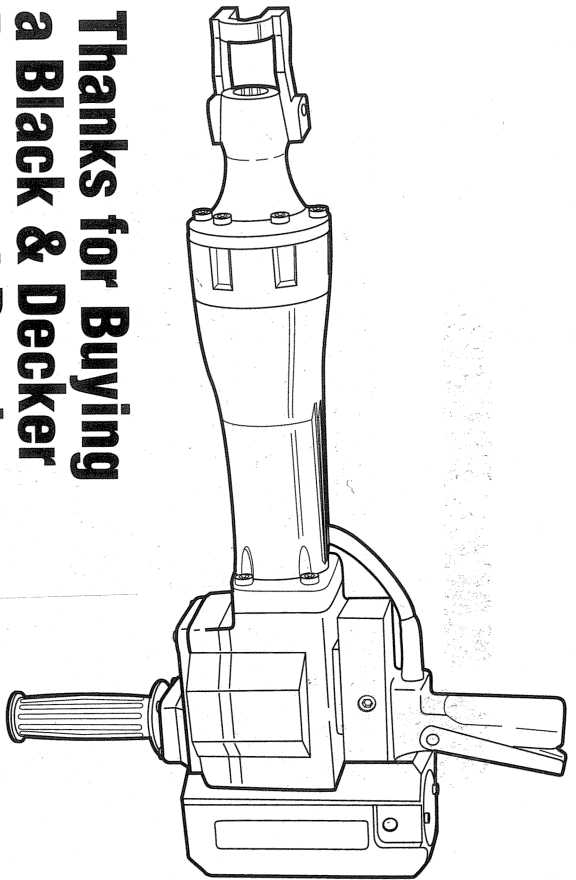
See 'Tools-Electric'
-Yellow Pages-
for Service & Sales



BLACK & DECKER

Distributed by
Black & Decker (U.S.) Inc., U.S. Power Tools Group, 10 North Park Drive, P.O. 798, Hunt Valley, MD 21030-0798

Form No. 741747
©1989 Black & Decker
Printed in Japan
(Jan 89)



Thanks for Buying a Black & Decker Pavement Breaker

If you already own a Black & Decker power tool, you know the pleasure of working with a real pro.

Built to the same rugged standards of quality that have made Black & Decker the world's choice for over seventy five years, your new Pavement Breaker will give you years of dependable service.

With the proper accessories you can break up the toughest concrete, brick, tile, stone and

other masonry. All of this versatility and Black & Decker's inherent toughness make your new Pavement Breaker every inch the pro that you are.

Please take the time to read this informative instruction manual and pay particular attention to the safety instructions we've provided for your protection.

Don't forget to send in your owner's registration card.

Thanks, again for buying Black & Decker!



NOTES

WARNING: When using Electric Tools, basic safety precautions should always be followed to reduce the risk of fire, electric shock, and personal injury, including the following:

READ ALL INSTRUCTIONS

1. **KEEP WORK AREA CLEAN.** Cluttered areas and benches invite injuries.
2. **CONSIDER WORK AREA ENVIRONMENT.** Don't expose power tools to rain. Don't use power tools in damp or wet locations. Keep work area well lit. Don't use tool in presence of flammable liquids or gases. Power tools produce sparks during operation. They also spark when switching ON/OFF. Never use power tools in dangerous sites containing lacquer, paint, benzine, thinner, gasoline, gases, adhesive agents, or other materials which are combustible or explosive.
3. **GUARD AGAINST ELECTRIC SHOCK.** Prevent body contact with grounded surfaces. For example; pipes, radiators, ranges, refrigerator enclosures.
4. **KEEP CHILDREN AWAY.** Do not let visitors contact tool or extension cord. All visitors should be kept away from work area.
5. **STORE IDLE TOOLS.** When not in use, tools should be stored in dry, and high or locked-up place-out of reach of children.
6. **DON'T FORCE TOOL.** It will do the job better and safer at the rate for which it was intended.
7. **USE RIGHT TOOL.** Don't force small tool or attachment to do the job of a heavy-duty tool. Don't use tool for purpose not intended.
8. **DRESS PROPERLY.** Do not wear loose clothing or jewelry. They can be caught in moving parts. Rubber gloves and non-skid footwear are recommended when working outdoors. Wear protective hair covering to contain long hair.
9. **USE SAFETY GLASSES.** Also use face or dust mask if cutting operation is dusty. All persons in the area where power tools are being operated should also wear safety eye protection and face or dust masks.
10. **DON'T ABUSE CORD.** Never carry tool by cord or yank it to disconnect from receptacle. Keep cord from heat, oil, and sharp edges.
11. **SECURE WORK.** Use clamps or a vise to hold work. It's safer than using your hand and it frees both hands to operate tool.
12. **DON'T OVERREACH.** Keep proper footing and balance at all times.
13. **MAINTAIN TOOLS WITH CARE.** Keep tools sharp and clean for better and safer performance. Follow instructions for lubricating and changing accessories. Inspect tool cords periodically and if damaged, have repaired by authorized service facility. Inspect extension cords periodically and replace if damaged. Keep handles dry, clean, and free from oil and grease.
14. **DISCONNECT TOOLS.** When not in use, before servicing, and when changing accessories, such as blades, bits, cutters.
15. **REMOVE ADJUSTING KEYS AND WRENCHES.** Form habit of checking to see that keys and adjusting wrenches are removed from tool before turning it on.
16. **AVOID UNINTENTIONAL STARTING.** Don't carry plugged-in tool with finger on switch. Be sure switch is off when plugging in.
17. **OUTDOOR USE EXTENSION CORDS.** When tool is used outdoors, use only extension cords intended for use outdoors and so marked.
18. **STAY ALERT.** Watch what you are doing. Use common sense. Do not operate tool when you are tired.

IMPORTANT SAFETY INSTRUCTIONS CONT.

19. **CHECK DAMAGED PARTS.** Before further use of the tool, a guard or other part that is damaged should be carefully checked to determine that it will operate properly and perform its intended function. Check for alignment of moving parts, binding of moving parts, breakage of parts, mounting, and any other conditions that may affect its operation. A guard or other part that is damaged should be properly repaired or replaced by an authorized service center unless otherwise indicated elsewhere in this instruction manual. Have defective switches replaced by authorized service center. Do not use tool if switch does not turn it on and off.
20. **AVOID USING A POWER TOOL FOR APPLICATIONS OTHER THAN THOSE SPECIFIED.** Never use a power tool for applications other than those specified in the instruction manual.
21. **ENSURE SAFE OPERATION THROUGH CORRECT HANDLING.** Secure safe operation through correct handling by observing the instructions described herein. Do not employ accessories other than those specified herein; otherwise, a hazardous condition may be created. Never allow a power tool to be used by persons not familiar with correct handling (such as children) or by those who cannot handle the tool correctly.
22. **CONFIRM THAT NO ITEMS SUCH AS AN ELECTRIC CABLE OR CONDUIT ARE BURIED INSIDE.** In places where live wiring may be hidden behind a wall, floor, ceiling, etc. do not hold or contact any metal parts of the tool. In such cases, metal parts could become electrically live and present a serious shock hazard.
23. **KEEP THE RIGHT PARTS IN THE RIGHT POSITIONS.** Do not remove covers and screws which have been factory-mounted. They perform important respective roles. Keep them in the right positions.
24. **SHOULD THE PLASTIC HOUSING OR HANDLE OF A POWER TOOL BE CRACKED OR DEFORMED, DO NOT USE IT.** Since cracked or deformed parts may lead to an operator receiving an electric shock, do not use such a power tool. Immediately have it repaired.
25. **DO NOT WIPE PLASTIC PARTS WITH SOLVENT.** Solvents such as gasoline, thinner, benzine, carbon tetrachloride, and alcohol may damage and crack plastic parts. Do not wipe them with such solvents. Wipe plastic parts with a soft cloth lightly dampened with soapy water.
26. **ALWAYS KEEP THE MOTOR AIR VENT FULLY CLEARED.** A constantly open motor air vent is necessary to allow air to come in and out for cooling the motor. Do not allow it to become clogged up, even if dust is blown through it.
27. **OPERATE POWER TOOLS AT THE RATED VOLTAGE.** Operate power tools at voltages specified on their nameplates.
28. **NEVER TOUCH THE MOVING PARTS.** Never touch the moving parts such as blades, bits, cutters and others.
29. **STOP OPERATION IMMEDIATELY IF ANY ABNORMALITY IS DETECTED.** Should a power tool be detected as out of order or should other abnormalities be observed during operation, stop using the tool immediately.
30. **NEVER LEAVE TOOL RUNNING UNATTENDED. TURN POWER OFF.** Don't leave tool until it comes to a complete stop.
31. **CAREFULLY HANDLE POWER TOOLS.** Should a power tool be dropped or struck against hard materials inadvertently, it may be deformed, cracked, or damaged.

SAVE THESE INSTRUCTIONS

Accessories

CAUTION: Recommended accessories for this Electric Power Tool are listed in this manual. The use of any other attachment or accessory might be hazardous.

The accessories listed in this manual are available at extra cost from your local dealer or Black & Decker Service Center.

A complete listing of service centers is included on the owner's registration card packed with your tool.

If you need assistance in locating any accessory please contact:

Black & Decker (U.S.) Inc.
User Services Department
626 Hanover Pike
P.O. Box 618
Hampstead, MD 21074-0618

Standard Accessories

Hexagon Bar Wrench 10mm (M21)
Hexagon Bar Wrench 6mm (M8)
Side Handle
Hexagon Bar Wrench 4mm (M5)
Bolt
Spring Lock Washer

Optional Accessories

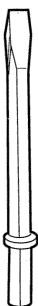
(sold separately)

Bull Point



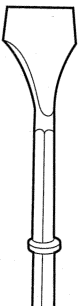
Total length: 20-1/2"

Cold Chisel



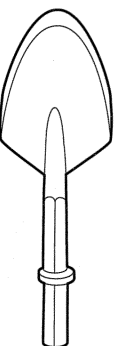
Total length: 20-1/2"

Cutter



Total length: 20-1/2" Width 3"

Scoop



Total length: 21-1/2"

Grease Replacement

The air tight construction of your hammer prevents most grease leakage so that the tool can be used for a long time without the need for grease replacement. About every 6 months you should clean out the grease and add a fresh supply.

Maintenance and Inspection

CAUTION: Be sure to switch power OFF and disconnect the plug during maintenance and inspection.

INSPECTING THE BIT

Since use of a dull bit will degrade efficiency and cause possible motor malfunction, sharpen or replace the bit as soon as dulling is noted.

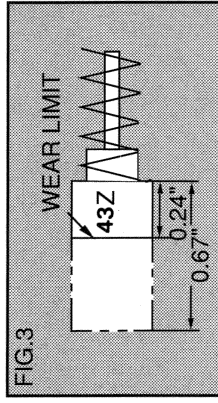
INSPECTING THE MOUNTING SCREWS

Regularly inspect all mounting screws and ensure that they are properly tightened. Should any of the screws be loose, retighten them immediately. Failure to do so could result in serious hazard.

INSPECTING THE CARBON BRUSHES (FIG. 3)

The motor employs carbon brushes which are consumable parts. When they become worn to or near "wear limit", it could result in motor trouble. When an auto-stop carbon brush is used, the motor will stop automatically when the brushes are worn out. At that time, replace both carbon brushes with new ones.

In addition, always keep carbon brushes clean and ensure that they slide freely within the brush holders.



REPLACEMENT PROCEDURE

Loosen the screw (Hexagon socket hd. bolt M5 x 10) of the tail cover, then remove the tail cover. (Center spread) After removing the brush cap, the carbon brush can be removed. After replacing the carbon brush, tighten the brush cap, then mount the tail cover securely and tighten the screws.

Important

TO assure product SAFETY and RELIABILITY, repairs, maintenance and adjustment (excluding brush inspection and replacement) should be performed by Black & Decker Service Centers or other qualified organizations, always using Black & Decker replacement parts. When servicing Double Insulated Tools, **USE ONLY IDENTICAL REPLACEMENT PARTS.**

Precautions On Using Your Pavement Breaker

1. Always wear a face mask when operating this tool.
2. Use earplugs when operating for extended periods.
3. Be sure to lock the bit holder in position.
4. The bit becomes extremely hot during operation. Avoid touching it without heavy gloves.
5. Check all screws for tightness before operation.
6. When working at elevated locations, be alert to objects and persons below.
7. Wear steel toed shoes to protect your feet from injury.

Double Insulation

DOUBLE-INSULATED tools are constructed throughout with TWO separate "layers" of electrical insulation or one DOUBLE thickness of insulation between you and the tool's electrical system.

Tools built with this insulation system are not intended to be grounded. As a result, your tool is equipped with a two-prong plug which permits you to use extension cords without concern for maintaining a ground connection.

NOTE: DOUBLE INSULATION does not take the place of normal safety precautions when operating this tool. The insulation system is for

added protection against injury resulting from a possible electrical insulation failure within the tool.

CAUTION: When servicing all tools, **USE ONLY IDENTICAL REPLACEMENT PARTS.** Repair or replace damaged cords.

Applications

Breaking concrete, chipping off concrete, grooving, and driving piles

Prior To Operation

POWER SOURCE

Ensure that the power source to be utilized conforms to the power requirements specified on the product nameplate.

POWER SWITCH

Ensure that the power switch is in the OFF position. If the plug is connected to a power receptacle while the power switch is in the ON position, the tool will start operating immediately, inviting serious accident.

Extension Cords

Double-insulated tools have 2 wire cords, and can be used with 2 wire or 3 wire extension cords. Only round jacketed extension cords should be used. If the extension will be used outside, the cord must be suitable for outdoor use. Any cord marked as outdoor can also be used for indoor work. (The letters "WA" on the cord jacket indicate that the cord is suitable for outdoor use.)

An extension cord must have adequate wire size (AWG or American Wire Gauge) for safety, and to prevent loss of power and overheating. The smaller the gauge number of the wire, the greater the capacity of the cable, that is 14 gauge has more capacity than 16 gauge. When using more than one extension to make up the total length, be sure each individual extension contains at least the minimum wire size.

To determine the minimum wire size required, refer to the chart below:

CHART FOR MINIMUM WIRE SIZE (AWG) OF EXTENSION CORDS

NAMEPLATE RATING-AMPS	25	50	75	100	125	150	175	200
0 - 10.0	18	18	16	16	14	14	12	12
10.1 - 13.0	16	16	14	14	14	12	12	12
13.1 - 15.0	14	14	12	12	12	12	12	—

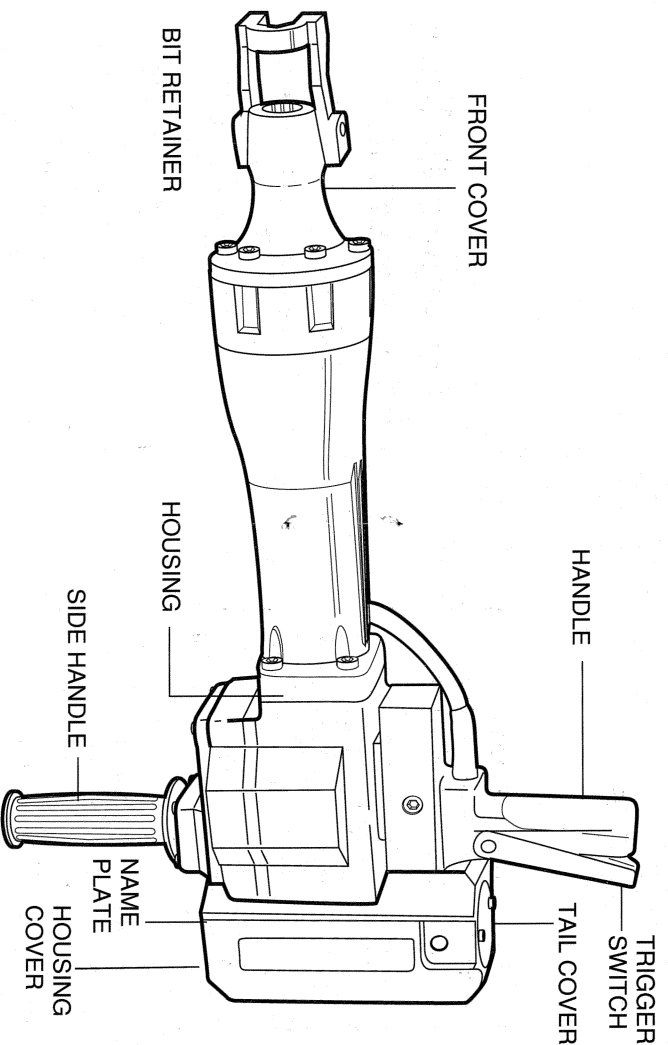
INSTALLING THE BIT

1. With the bit retainer directed backward, insert the bit shank into the hole in the front cover. (Fig. 1)
2. Swing the bit retainer back into place so that it engages the bit shank and prevents bit from

Before using an extension cord, inspect it for loose or exposed wires, damaged insulation, and defective fittings. Make any needed repairs or replace the cord if necessary. Black & Decker has extension cords available that are CSA Certified for outdoor use.

coming all the way out of front cover. (Fig. 2)

NOTE: Use a mallet to open/close the retainer. When removing the bit, follow the above procedure in reverse order.



Operation

(ALWAYS WEAR EYE PROTECTION)

Before turning the tool on, locate the tip of the demolition bit as desired. Rest the weight of the tool on the bit and turn the hammer on. Let the tool's weight work to your advantage; this will be easier and more efficient. Pushing on the tool only reduces efficiency.

Guide the tool, turning it off whenever changing locations in order to locate the bit at the desired spot.

1. Squeeze the trigger switch after applying the tip of the bit to the crushing position. In some cases, it is necessary to punch the tip of the bit against the crushing position forcibly in order to begin the striking stroke. This is not due to malfunction of the tool. It means that the safe guard mechanism against no-load striking is working.

2. Operate the tool by utilizing its own weight. The performance will not be better even if the tool is pressed or thrust forcibly against the work surface. Hold the tool with a force just sufficient to counteract the reaction. CAUTION: Sometimes the tool does not begin the striking stroke even when the motor rotates because the oil has become thick. If the tool is used at low temperatures or if it is not used for a long time, the tool should be run at no load for five minutes in order to warm it up.

