



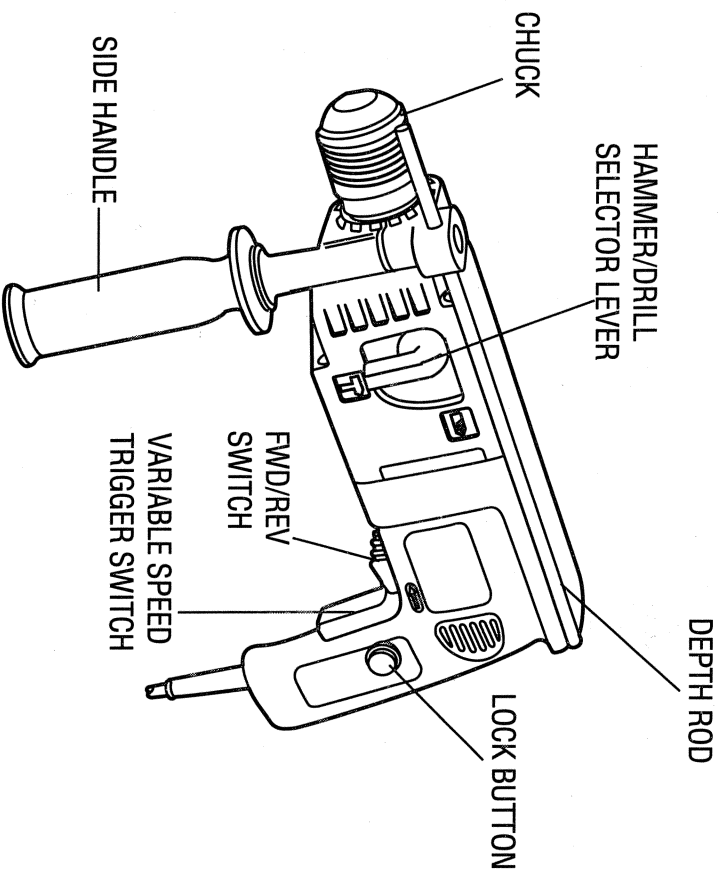
TM

**SPLITFIRE**

# Instruction Manual

## 5013 Rotary Hammer

## 5013 ROTARY HAMMER



## FOR YOUR SAFETY - ALL TOOLS

**WARNING:** When using Electric Tools, basic safety precautions should always be followed to reduce risk of fire, electric shock, and personal injury, including the following:

### READ ALL INSTRUCTIONS.

1. **KEEP WORK AREA CLEAN.** Cluttered areas and benches invite injuries.
2. **GUARD AGAINST ELECTRIC SHOCK.** Prevent body contact with grounded surfaces. For example; pipes, radiators, ranges, refrigerator enclosures.
3. **CONSIDER WORK AREA ENVIRONMENT.** Don't expose power tools to rain. Don't use power tools in damp or wet locations. Keep work area well lit.
4. **KEEP CHILDREN AWAY.** All visitors should be kept away from work area. Do not let visitors contact tool.
5. **STORE IDLE TOOLS.** When not in use, tools should be stored in dry, and high or locked-up place – out of reach of children.
6. **DON'T FORCE TOOL.** It will do the job better and safer at the rate for which it was intended.
7. **USE RIGHT TOOL.** Don't force small tool or attachment to do the job of a heavy-duty tool. Don't use tool for purpose not intended, for example, don't use circular saw for cutting tree limbs or logs.
8. **DRESS PROPERLY.** Do not wear loose clothing or jewelry. They can be caught in moving parts. Non-skid footwear is recommended when working outdoors. Wear protective hair covering to contain long hair.
9. **USE SAFETY GLASSES.** Also use face or dustmask if operation is dusty.
10. **DON'T ABUSE CORD.** Never carry tool by cord or yank it to disconnect from receptacle. Keep cord from heat, oil, and sharp edges.
11. **SECURE WORK.** Use clamps or a vise to hold work. It's safer than using your hand and it frees both hands to operate tool.

### Getting the most out of your tool.

Please take time to read this manual and pay particular attention to the safety rules we've provided for your protection. Don't forget to send in your owner's registration card. If you have any questions about your tool please call:

**1-800-9-BD TOOL**  
**(1-800-923-8665)**

# RULES FOR ROTARY HAMMERS

12. **DON'T OVERREACH.** Keep proper footing and balance at all times.
13. **MAINTAIN TOOLS WITH CARE.** Keep tools sharp and clean for better and safe performance. Follow instructions for lubricating and changing accessories. Keep handles dry, clean, and free from oil and grease.
14. **DISCONNECT TOOLS** when not in use, before servicing, and when changing accessories.
15. **REMOVE ADJUSTING KEYS AND WRENCHES.** Form habit of checking to see that keys and adjusting wrenches are removed from tool before turning it on.
16. **AVOID UNINTENTIONAL STARTING.** Don't carry plugged in tool with finger on switch. Be sure switch is off when plugging in.
17. **OUTDOOR USE EXTENSION CORDS.** When tool is used outdoors, use only extension cords intended for use outdoors and so marked.
18. **STAY ALERT.** Watch what you are doing. Use common sense. Do not operate tool when you are tired.
19. **CHECK DAMAGED PARTS.** Before further use of the tool, a guard or other part that is damaged should be carefully checked to determine that it will operate properly and perform its intended function. Check for alignment of moving parts, binding of moving parts, breakage of parts, mounting, and any other conditions that may affect its operation. A guard or other part that is damaged should be properly repaired by an authorized service center unless otherwise indicated in this manual. Have defective switches replaced by authorized service center. Don't use tool if switch does not turn it on and off.
20. **DO NOT OPERATE** portable electric tools near flammable liquids or in gaseous or explosive atmospheres. Motors in these tools normally spark, and the sparks might ignite fumes.
21. **CAUTION:** When drilling or driving into walls, floors or wherever "live" electrical wires may be encountered, **DO NOT TOUCH ANY FRONT METAL PARTS OF THE TOOL!** Hold the tool only by the plastic handle to prevent shock if you drill or drive into a "live" wire.
1. Wear safety goggles or other eye protection.
2. Wear ear protectors when hammering for extended periods.
3. Always use the side handle supplied with the tool. Keep a firm grip on the hammer when it is operating.
4. Don't overreach with the hammer. Maintain a firm, balanced working stance. When necessary, use only properly positioned, safe platforms, ladders and scaffolds, to do the job safely.
5. Hammer bits and tools get hot in operation. Wear gloves when touching them.

## SAVE THESE INSTRUCTIONS FOR FUTURE USE

### Motor

Your B&D tool is powered by a B&D built motor. Be sure your power supply agrees with nameplate marking.

Volts 50/60 Hz or "AC only" means your tool must be operated only with alternating current and never with direct current. Volts DC- 60Hz or AC/DC means your tool may be operated with either alternating or direct current.

Voltage decrease of more than 10% will cause loss of power and overheating. All B&D tools are factory tested; if this tool does not operate, check the power supply.

## Double Insulation

Your unit is Double Insulated to permit use on non-grounded circuits. This means that it is constructed throughout with two separate "layers" of electrical insulation between you and the tool's electrical system.

Tools built with this insulation system are not intended to be grounded. As a result, your tool is equipped with a two prong plug which permits you to use extension cords without concern for maintaining a ground connection.

**NOTE:** DOUBLE INSULATION does not take the place of normal safety precautions when operating this tool. The insulation system is for added protection against injury resulting from a possible electrical insulation failure within the tool.

**CAUTION:** When servicing all tools, **USE ONLY IDENTICAL REPLACEMENT PARTS.** Repair or replace damaged cords.

## Extension Cords

Double insulated tools have 2-wire cords and can be used with 2-wire or 3-wire extension cords. Only round jacketed extension cords should be used, and we recommend that they be listed by Underwriters Laboratories (U.L.) (C.S.A. in Canada). If the extension will be used outside, the cord must be suitable for outdoor use. Any cord marked as outdoor can also be used for indoor work. The letters "WA" on the cord jacket indicate that the cord is suitable for outdoor use.

An extension cord must have adequate wire size (AWG or American Wire Gauge) for safety, and to prevent loss of power and overheating. The smaller the gauge number of the wire, the greater the capacity of the cable, that is 16 gauge has more capacity than 18 gauge. When using more than one extension to make up the total length, be sure each individual extension contains at least the minimum wire size. To determine the minimum wire size required, refer to the following chart.

### CHART FOR MINIMUM WIRE SIZE (AWG) OF EXTENSION CORDS

NAMEPLATE RATING-AMPS	TOTAL EXTENSION CORD LENGTH - FEET									
	25	50	75	100	125	150	175	200		
0 - 10.0	18	18	16	16	14	14	14	12	12	
10.1 - 13.0	16	16	14	14	14	12	12	12		
13.1 - 15.0	14	14	12	12	12	12	12	12	—	

Before using an extension cord, inspect it for loose or exposed wires, damaged insulation, and defective fittings. Make any needed repairs or replace the cord if necessary.

## Side Handle

For operating convenience, the side handle can be rotated to any position around the tool (360°). **NEVER OPERATE TOOL WITHOUT SIDE HANDLE IN PLACE.**

## Depth Rod

To adjust the depth rod, loosen the handle and move rod so that the distance between the end of the rod and the end of the bit equals the desired drilling depth (Figure 1).

**NOTE:** Bit must be fully seated in the hammer when measuring. Figure 2 shows how the depth rod contacts the work surface when the desired hole depth is reached.

Figure 1

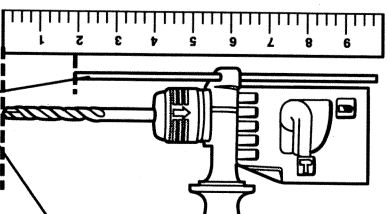
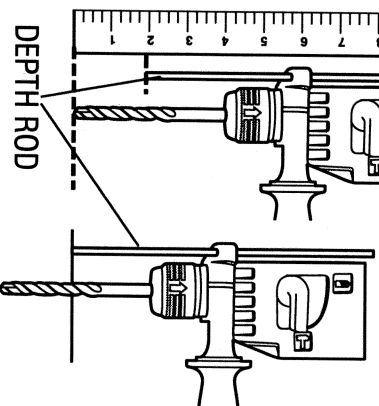


Figure 2



# TOOL OPERATION

## Switch

The motor is operated by a variable speed trigger switch which, when depressed, turns the tool on. The variable speed switch allows slow starting when hammering for exact hole positioning or when working with brittle surfaces such as glazed tile. The further the trigger is depressed, the higher the R.P.M. (Revolutions Per Minute) and B.P.M. (Beats Per Minute). Releasing the trigger turns the tool off.

## Changing Bits

The 5013 is designed for the B & D SDS bit system in sizes from 3/16" to 5/8" in diameter.

1. Unplug the unit from power source when inserting bits.
2. Insert the bit with a slight twist. The locking takes place automatically during drilling/hammer drilling.
3. To release bit, pull front end of chuck back (Figure 3) and pull bit out.

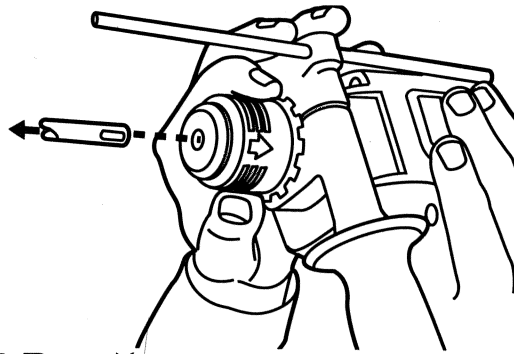


Figure 3

## Reversing Switch

The hammer is equipped with a reversing switch for backing out jammed drill bits or large screws. To operate the hammer in forward, slide the lever in Figure 4 to the right (when viewed from the chuck end) as shown. To operate in reverse, slide the lever to the left. Always be sure that the tool is off and has stopped coasting before changing its direction.

## Hammer/Drill Selector Lever (Figure 5)

Your hammer is equipped with a selector lever to control drilling or hammering action.

1. Turn the tool off and allow it to stop before shifting.
2. To select "hammer drilling", rotate the selector lever clockwise to the hammer symbol.
3. To select "drilling", rotate the selector lever counterclockwise to the drill position.

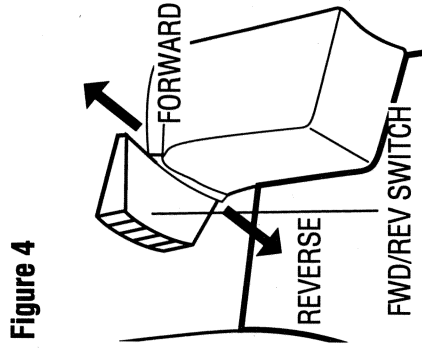


Figure 4

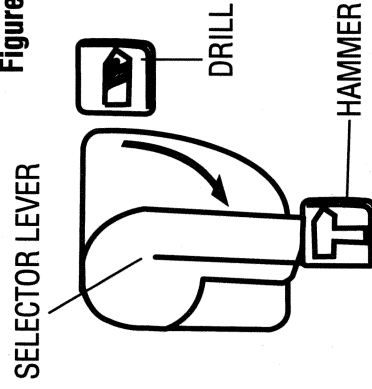


Figure 5

## Hammer Drilling

1. Position selector lever in the "hammer" position.
2. When drilling, use just enough force on the hammer to keep it from bouncing excessively or "rising" off the bit. Too much force will cause slower drilling speeds, overheating, and a lower drilling rate.
3. Drill straight, keeping the bit at a right angle to the work. Do not exert side pressure on the bit when drilling as this will cause clogging of the bit flutes and a slower drilling speed.
4. When drilling deep holes, if the hammer speed starts to drop off, pull the bit partially out of the hole with the tool still running to help clear debris from the hole.
5. Do not pour water into the hole to settle dust. Water causes clogging of bit flutes which will tend to make the bit bind in the hole.

## Drilling

Always unplug the tool when attaching or changing bits or accessories.

1. Position selector lever in the "drill" position.
2. Use sharp drill bits only. For WOOD, use twist drill bits, spade bits, power auger bits, or hole saws. For METAL, use high speed steel twist bits or hole saws.
3. Be sure the material to be drilled is anchored or clamped firmly. If drilling thin material, use a "back-up" block to prevent damage to the material.
4. Always apply pressure in a straight line with the bit. Use enough pressure to keep the bit biting, but do not push hard enough to stall the motor or deflect the bit.
5. Hold tool firmly to control the twisting action.
6. **IF TOOL STALLS**, it is usually because it is being overloaded. **RELEASE**

**TRIGGER IMMEDIATELY**, remove bit from work, and determine cause of stalling. Do not click trigger off and on in an attempt to start a stalled tool. This can damage the tool.

7. To minimize stalling or breaking through the material, reduce pressure on hammer and ease the bit through the last fractional part of the hole.
8. Keep the motor running when pulling the bit back out of a drilled hole. This will help prevent jamming.
9. With the variable speed feature there is no need to center punch the point to be drilled. Use a slow speed to start the hole and accelerate by squeezing the trigger harder when the hole is deep enough to drill without the bit skipping out.

## Maintenance

Disconnect tool from the power supply and periodically take the following maintenance action:

1. Clean any dirt build-up out of the air slots in the housing.
2. Check the condition of the power supply cord, plug and extension cord. Repair at once if damaged.
3. Your hammer has a maintenance feature called the "B&D check point system." When the tool requires motor brush replacement, it will shut down automatically. At this time the tool should be taken to an authorized service center for cleaning, regreasing, and preventative maintenance.

## Accessories

Recommended accessories for use with your tool are available at extra cost from your distributor or local service center. A complete listing of service centers is included with your tool.

**CAUTION:** The use of any non-recommended accessory may be hazardous.

If you need any assistance in locating any accessory call 1-800-9-BD TOOL (1-800-923-8665) or contact Black & Decker (U.S.) Inc., Consumer Services Department, P.O. Box 618, 626 Hanover Pike, Hampstead, MD 21074.

## IMPORTANT!

To assure product safety and reliability, particularly for Double Insulated tools, repairs, maintenance and adjustment (excluding maintenance described in this manual) should be performed by B&D service centers or authorized service centers, using identical B&D replacement parts.

Every B&D tool is of the highest quality.

If you wish to contact us regarding this product, please call toll free between 8:00am and 8:00pm ET, seven days a week.

**1-800-9-BD TOOL**

(1-800-923-8665)

## One Year Service/Safety Check

All B&D tools for Industry and Construction are covered under a service/safety check program where B&D will inspect your tool for safety and provide necessary maintenance or repairs, including normal wear and tear parts, for one year, FREE OF CHARGE.

## Full Warranty

All B&D tools for Industry and Construction are warranted to be free of any defects in materials or workmanship. Upon thorough examination of tool, B&D will repair or replace, at our option, any product that is determined to be defective.

## Conditions

The service/safety check and the warranty do not apply to: repairs made or attempted by anyone other than an authorized B&D service location; misuse, abuse, neglect, improper application of the tool; missing parts; or normal wear and tear (after first year of ownership). Please return the complete unit, transportation prepaid, to any B&D factory owned or B&D authorized service center location (list provided with tool or see Yellow Pages under "Tools Electric").

These symbols on the nameplate mean the product is listed by Underwriter's Laboratories, Inc. and certified by the Canadian Standards Association.



---

**Black & Decker (U.S.) Inc. • 701 East Joppa Road, Towson, Maryland 21286**  
**Printed in Germany (OCT93-1) Form No. 159186 (Part No. 324695-01) Copyright 1993**