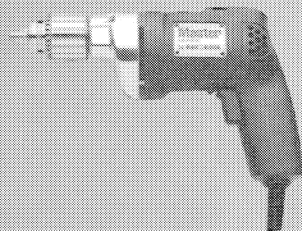


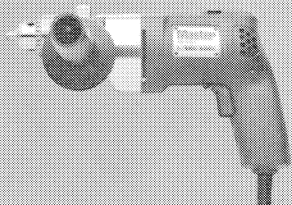
# Master

SERIES  
by BLACK&DECKER™

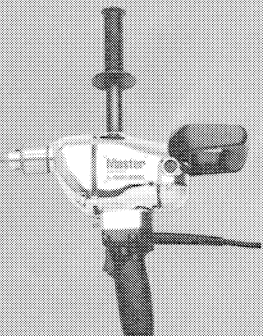
**5111 Holgun® 3/8" VSR Drill:** Premium quality 3/8" variable speed reversing pistol grip drill designed for long life in heavy-duty professional use. The drill performs well in a wide variety of metals, wood, masonry and composite materials.



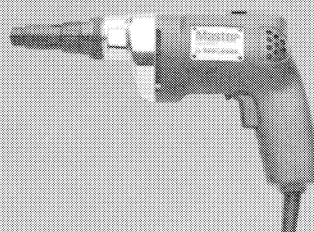
**5130 Holgun® 1/2" VSR Drill:** Premium quality 1/2" variable speed reversing pistol grip drill with a maximum of power for its compact size. The extremely versatile drill is especially designed for drilling larger diameter holes. The triple gear reduction provides a no-load speed of 600 RPM with very high torque.



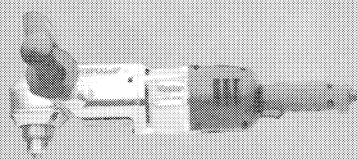
**5140 1/2" Spade Handle Drill:** Premium quality spade handle drill designed to meet the heaviest industrial and construction demands. It is often used to mix mud in drywall and plastering applications.



**5274 Versa-Clutch® Scrugun® VSR Screwdriver:** A premium quality adjustable clutch screwdriver designed to drive a wide variety of fastener sizes to perfect tightness in the most demanding situations. The exclusive Versa-Clutch feature allows the user to override the selected torque by varying the pressure applied to the tool.



**5158 TimberWolf™ 1/2" Right Angle Drill:** Premium quality 1/2" right angle drill designed specifically for plumbers and electricians who need to drill large diameter holes through studs and joists while working in extremely tight quarters.



**5159 TimberWolf™ 1/2" Right Angle Drill Kit:** The same high quality 1/2" right angle drill with a metal kit box.

**Black & Decker (U.S.) Inc.**  
10 North Park Drive  
P.O. Box 798  
Hunt Valley, Maryland  
21030-0798

Form No. 741348

Printed in U.S.A.

(FF887-0D)

The Black & Decker Corporation ©1987

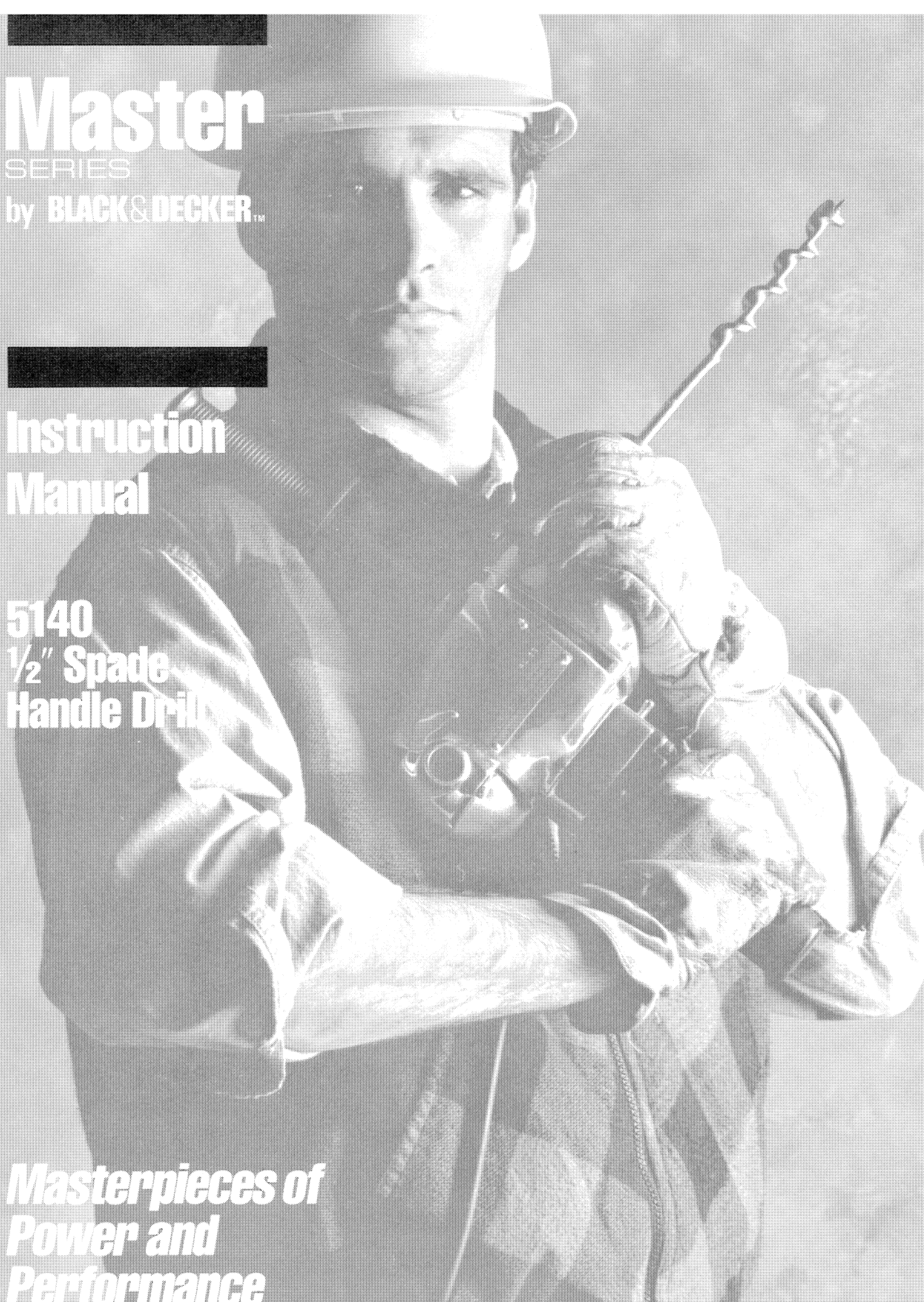
# Master

SERIES  
by BLACK&DECKER™

## Instruction Manual

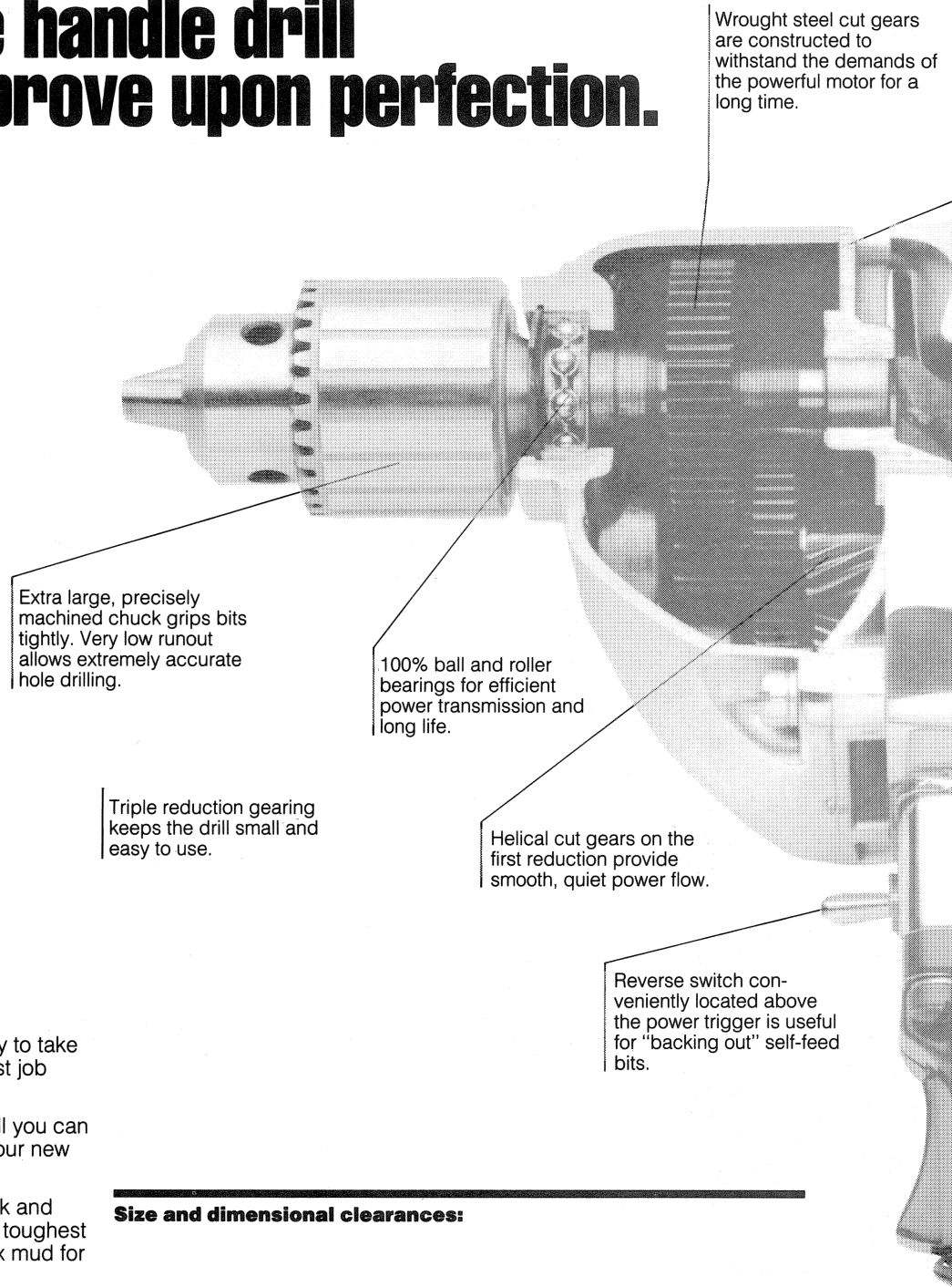
### 5140 1/2" Spade Handle Drill

*Masterpieces of  
Power and  
Performance*





# Finally, a spade handle drill designed to improve upon perfection.



**You're a pro.** Proud of your work. Always ready to take on a new challenge. Confident you'll do the best job possible.

With the new Master Series™ spade handle drill you can count on doing the job even better. Because your new drill is better than any you've used before.

This spade handle drill was developed by Black and Decker with your demands in mind. It does the toughest drilling job and also it is especially useful to mix mud for drywall and plaster applications.

The Master Series™ gives you more of what you want. More power. More durability. More performance. And better, too. Better design. Better parts. Better service.

You get lots of power from the 7-amp motor but your drill is still lightweight and compact.

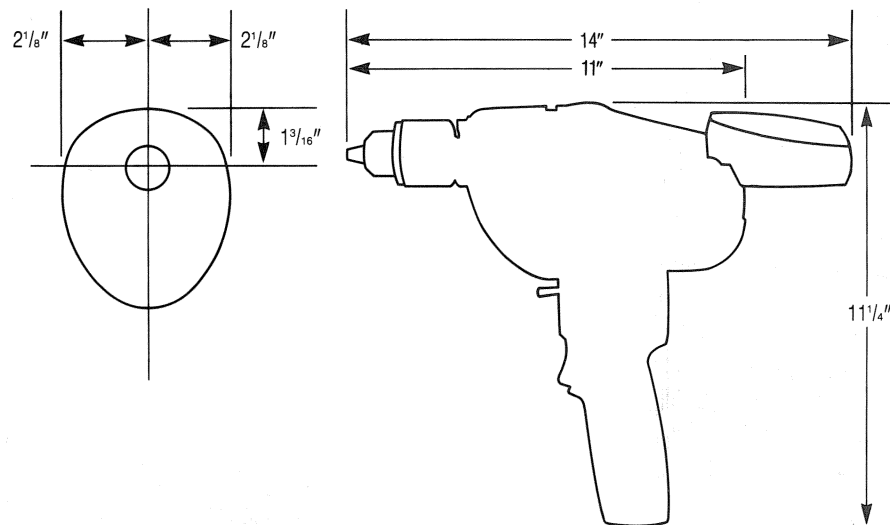
You get more durability from the 100% anti-friction bearings and wrought steel cut gears that withstand the highest loads.

You get more performance from the helical cut gears on the first reduction that make your drill run smoother and last longer.

The polished metal housings guarantee you superior quality inside and out.

Look at the other special features of your new drill as pictured in the cut-away view we've provided. Once you use your new Master Series™ drill, we think you're going to agree, Master Series™ tools are masterpieces of power and performance.

## Size and dimensional clearances:



## Extension Cords

Tools that have 3 wire cords requiring grounding must only be used with extension cords that have 3-prong grounding type plugs and 3-pole receptacles. Only round jacketed extension cords should be used, and we recommend that they be listed by Underwriters Laboratories (U.L.) (C.S.A. in Canada). If the extension will be used outside, the cord must be suitable for outdoor use. Any cord marked as outdoor can also be used for indoor work. The letters "WA" on the cord jacket indicate that the cord is suitable for outdoor use.

An extension cord must have adequate wire size (AWG or American Wire Gauge) for safety, and to prevent loss of power and overheating. The smaller the gauge number of the wire, the greater the capacity of the cable, that is 16 gauge has more capacity than 18 gauge. When using more than one extension to make up the total length, be sure each individual extension contains at least the minimum wire size.

To determine the minimum wire size required, refer to the chart below.

NAMEPLATE RATING-AMPS	CHART FOR MINIMUM WIRE SIZE (AWG) OF EXTENSION CORDS							
	25	50	75	100	125	150	175	200
0 - 10.0	18	18	16	16	14	14	12	12
10.1 - 13.0	16	16	14	14	14	12	12	12
13.1 - 15.0	14	14	12	12	12	12	12	—

Before using an extension cord, inspect it for loose or exposed wires, damaged insulation, and defective fittings. Make any needed repairs or replace the cord if necessary. Black & Decker has extension cords available that are U.L. (C.S.A. in Canada) listed for outdoor use.

## SAVE THESE INSTRUCTIONS

## Accessories

The accessories listed in this manual are available at extra cost from your local dealer or Black & Decker Service Center. A complete listing of service centers is included on the owner's registration card packed with your tool.

If you need assistance in locating any accessory, please contact: Black & Decker (U.S.) Inc., User Services Department, 10 North Park Drive, P.O. Box 857, Hunt Valley, MD 21030-0857.

Recommended accessories for use with your Drill are listed below. (CAUTION: The use of any other accessory or attachment might be hazardous). For safety in use, the following accessories should be used only in the sizes specified below:

Bits, Metal Drilling	1/2
Bits, Wood Drilling	1 1/2
Bits, Masonry Drilling	3/4
Hole Saws	4
Wire Wheel Brushes	4
Wire Cup Brush	3
Buffing Wheels	3
Rubber Backing Pads	4%

## Important!

To assure product SAFETY and RELIABILITY, repairs, maintenance and adjustment should be performed by Black & Decker Service Centers or other qualified service organizations, always using Black & Decker replacement parts.

## Warranty

Black & Decker (U.S.) Inc. warrants this product for one year from date of purchase. We will repair without charge, any defects due to faulty material or workmanship. Please return the complete unit, transportation prepaid, to any Black & Decker Service Center or Authorized Service Station listed under "Tools Electric" in the yellow pages. This warranty does not apply to accessories or damage caused where repairs have been made or attempted by others.

Like most Black & Decker products your tool is listed by Underwriters Laboratories to ensure that it meets stringent safety requirements.



This symbol on the nameplate means the product is listed by Underwriters Laboratories, Inc.

See 'Tools-Electric' —Yellow Pages— for Service & Sales



## Chucks

**CAUTION:** Before touching chucks or making any adjustments, always disconnect tool from power supply.

### GEARED CHUCKS

1. Always completely insert the shank of the drill bit or accessory in the chuck. This permits full gripping power and prevents cocking the chuck jaws. When using drill bits or accessories with 3 "flats" on the shank, the chuck jaws should be located on the centers of these flats.
2. Use all three holes in the chuck body to tighten the jaws (Fig. 3). Insert the chuck key into each hole and tighten as much as possible. To release the drill bit, use the chuck key in only one hole.
3. Use only a chuck key to tighten or loosen the chuck jaws. If key is lost, order a new key at once. Order keys by number stamped on the chuck.

The chuck on this tool is not user serviceable. Take the drill to your local Black & Decker Service Center for chuck replacement.

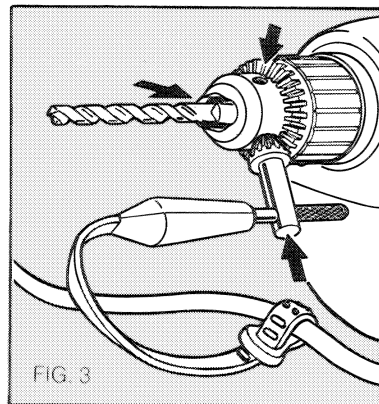


FIG. 3

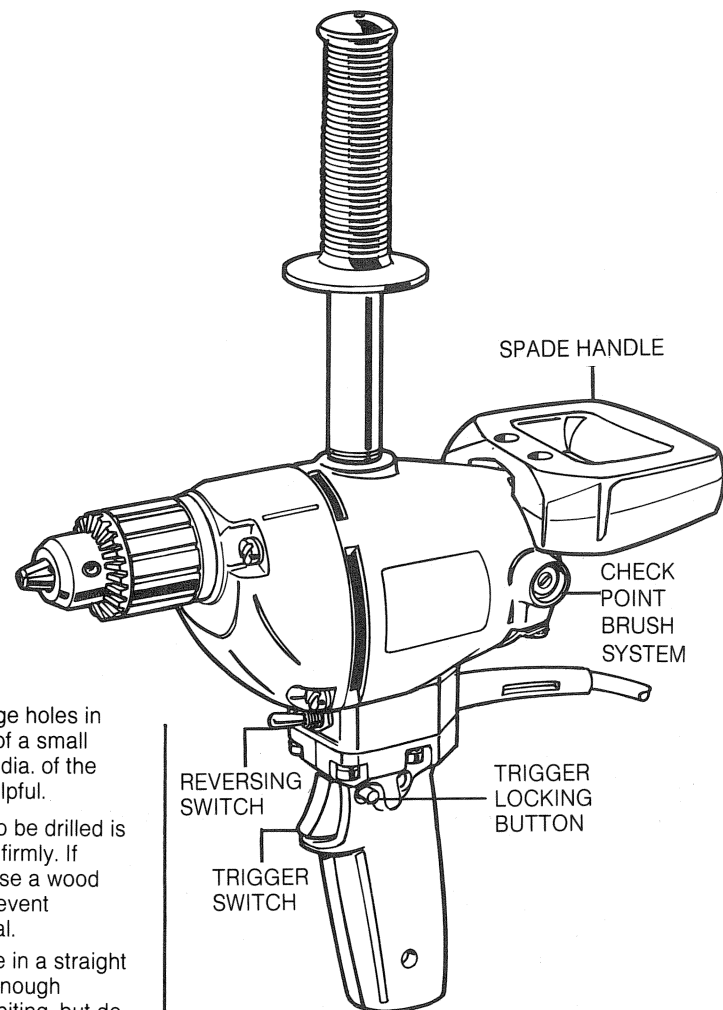
## Drilling Instructions

1. Use sharp drill bits only. For WOOD, use twist bits (carbon tool steel or high speed steel), spade bits, power auger bits, or hole saws, depending upon type of wood and size of hole. For METAL, use a lubricant (except for cast iron) and high speed steel twist bits or hole saws, depending on type of metal and size of hole. For MASONRY, such as brick, cement, cinder block, etc., use carbide-tipped bits.

- NOTE:** When drilling large holes in most materials, the use of a small pilot hole (approx. 1/2 the dia. of the larger hole) will prove helpful.
2. Be sure the material to be drilled is anchored or clamped firmly. If drilling thin material, use a wood "back-up" block to prevent damage to the material.
  3. Always apply pressure in a straight line with the bit. Use enough pressure to keep drill biting, but do not push hard enough to stall the motor or deflect the bit.
  4. Always use pipe or side handles when provided. Be sure to brace yourself against the twisting action of the drill.
  5. **IF DRILL STALLS**, it is usually because it is being overloaded or improperly used. **RELEASE TRIGGER IMMEDIATELY**, remove drill bit from work, and determine cause of stalling. **DO NOT CLICK TRIGGER OFF AND ON IN AN ATTEMPT TO START A STALLED DRILL — THIS WILL DAMAGE THE DRILL.**
  6. To minimize stalling or breaking through the material, reduce pressure on drill and ease the bit through the last fractional part of the hole.

## Lubrication

Your tool was properly lubricated before leaving the factory. In from two to six months, depending upon use, take or send your tool to a Black & Decker Service Center, or Authorized Service Station, for a complete cleaning, inspection and relubrication. Tools used constantly on production or heavy duty jobs or exposed to heat may require more frequent lubrication. Tool "out of service" for long periods should be relubricated before being put back into service.



## Cleaning

With the tool motor running, blow dirt and dust out of all air vents with dry air at least once a week.

## Motor

Your tool is powered by a Black & Decker built motor. Be sure your power supply agrees with nameplate marking. 120 Volts AC/DC means the tool will operate on either Alternating Current or Direct Current. Voltage decrease of more than 10% will cause loss of power and over-heating. All B&D tools are factory-tested; if this tool does not operate, check the power supply.

## Brushes

**CAUTION:** Disconnect tool from power source before inspection or servicing.

Your tool uses B&D "Checkpoint" Brush System. This insures that the tool will stop when the brushes wear out. This prevents damage to the motor. Brushes should be regularly inspected for wear. When the cap is unscrewed, the spring and brush assembly may be withdrawn from the tool. Keep brushes clean and sliding freely in their guides. Inspection should be made every two to six months, depending upon usage.

Special gasket at housing joint eliminates grease leaks and prolongs gear life.

High efficiency fan keeps the motor running cool under high load conditions and improves overload capacity.

High load capacity brush gear with the Check Point® feature that prevents commutator damage when the brushes eventually wear out.

### Specifications:

Chuck capacity (inches)	5/64-1/2
Current rating @ 120V AC (amps)	7.0
No load speed (rpm)	450
Maximum power output (watts/horsepower)	575/0.75
Maximum torque output (ft. lbs.)	80
Power output @ rated current (watts/horsepower)	390/.52
Torque output @ rated current (ft. lbs.)	8.3
Speed @ rated current (rpm)	330
Drilling capacity (inches):	
Twist bit in cold rolled steel	1/2
Spade bit in oak	1 1/2
Hole Saw in oak	4
Auger bit in oak	1 1/2
Masonry bit in concrete	3/4
Overall gear reduction ratio	41.4:1
Spindle thread	1/2-20
Weight w/o cord (lbs.)	9.25
Shipping weight (lbs.)	11.5

Rugged aluminum die castings.

Removable cord protector allows for easy cord replacement.

10 foot rubber power cord provides extra length and stays flexible at low temperatures.

The switch is tightly sealed to protect against dust and securely mounted to protect it from damage when dropped or knocked.

Molded polymer housings resist high impact, high temperature, and damage from most common industrial solvents.

### Standard equipment:

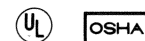
Chuck key and chuck key holder

### Commonly used service parts' numbers:

Power supply cord	143729-00
Separable cord protector	131589-02
Switch	133282-01
Brushes (2 required) incl. Brush Spring	400814-01
Armature	143693-31
Field	400323-71
Chuck key	4794-01
Chuck key holder	34519-00
Chuck (includes chuck key)	449644-00

### Regulatory agency listing and compliance

The 5140 is U.L. listed and in compliance with OSHA.



## Important Safety Instructions (For All Tools)

**WARNING:** When using Electric Tools, basic safety precautions should always be followed to reduce the risk of fire, electric shock, and personal injury, including the following:

### READ ALL INSTRUCTIONS

1. **KEEP WORK AREA CLEAN.** Cluttered areas and benches invite injuries.
2. **CONSIDER WORK AREA ENVIRONMENT.** Don't expose power tools to rain. Don't use power tools in damp or wet locations. Keep work area well lit.
3. **GUARD AGAINST ELECTRIC SHOCK.** Prevent body contact with grounded surfaces. For example: pipes, radiators, ranges, refrigerator enclosures.
4. **KEEP CHILDREN AWAY.** All visitors should be kept away from work area. Do not let visitors contact tool or extension cord.
5. **STORE IDLE TOOLS.** When not in use, tools should be stored in dry, and high or locked-up place—out of reach of children.
6. **DON'T FORCE TOOL.** It will do the job better and safer at the rate for which it was intended.
7. **USE RIGHT TOOL.** Don't force small tool or attachment to do the job of a heavy-duty tool. Don't use tool for purpose not intended, for example, don't use circular saw for cutting tree limbs or logs.
8. **DRESS PROPERLY.** Do not wear loose clothing or jewelry. They can be caught in moving parts. Rubber gloves and non-skid footwear are recommended when working outdoors. Wear protective hair covering to contain long hair.
9. **USE SAFETY GLASSES.** Also use face or dustmask if operation is dusty.
10. **DON'T ABUSE CORD.** Never carry tool by cord or yank it to disconnect from receptacle. Keep cord from heat, oil, and sharp edges.
11. **SECURE WORK.** Use clamps or a vise to hold work. It's safer than using your hand and it frees both hands to operate tool.
12. **DON'T OVERREACH.** Keep proper footing and balance at all times.
13. **MAINTAIN TOOLS WITH CARE.** Keep tools sharp and clean for better and safe performance. Follow instructions for lubricating and changing accessories. Inspect tool cords periodically and if damaged have repaired by authorized service facility. Inspect extension cords periodically and replace if damaged. Keep handles dry, clean and free from oil and grease.
14. **DISCONNECT TOOLS.** When not in use, before servicing, and when changing accessories, such as blades, bits, cutters.
15. **REMOVE ADJUSTING KEYS AND WRENCHES.** Form habit of checking to see that keys and adjusting wrenches are removed from tool before turning it on.
16. **AVOID UNINTENTIONAL STARTING.** Don't carry plugged-in tool with finger on switch. Be sure switch is off when plugging in.
17. **OUTDOOR USE EXTENSION CORDS.** When tool is used outdoors, use only extension cords intended for use outdoors and so marked. (More extension cord information can be found on page 7.)
18. **STAY ALERT.** Watch what you are doing. Use common sense. Do not operate tool when you are tired.
19. **CHECK DAMAGED PARTS.** Before further use of the tool, a guard or other part that is damaged should be carefully checked to determine that it will operate properly and perform its intended function. Check for alignment of moving parts, binding of moving parts, breakage of parts, mounting and any other conditions that may affect its operation. A guard or other part that is damaged should be properly repaired or replaced by an authorized service center unless otherwise indicated elsewhere in this instruction manual. Have defective switches replaced by authorized service center. Do not use tool if switch does not turn it on and off.
20. **DO NOT OPERATE** portable electric tools near flammable liquids or in gaseous or explosive atmospheres. Motors in these tools normally spark, and the sparks might ignite fumes.

SAVE THESE INSTRUCTIONS FOR FUTURE USE.

## Special Safety Instructions

**CAUTION:** When drilling into walls, floors or wherever "live" wires may be encountered, do not touch the chuck or any front metal parts of the Drill! Hold the Drill only by the plastic switch handle, the plastic spade handle or the grip covered pipe handle, to prevent electric shock if you drill into a live wire. One of the two auxiliary handles provided must be used and the insulation maintained in good condition.

When being used on job sites where arc or resistance welding is being performed, the cord set on this tool could be damaged by heavy welding currents using the cord as a parallel return path. To maintain the protection the ground wire provides, the cord should be inspected frequently and replaced as necessary. Avoid unnecessary contact between the metallic exterior of the tool and grounded conductive surfaces.

Do not tape the chuck key to the cord set. The chuck key handle may, over a period of time, cut through the cord set insulation thereby creating an electrical hazard. Use the supplied chuck key holder to hang the key from the cord.

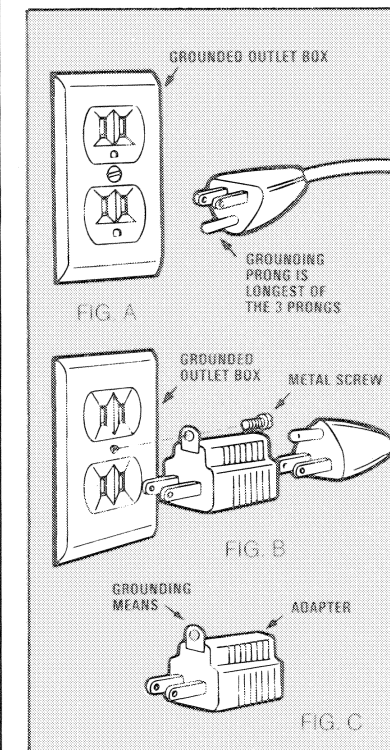
## Grounding Instructions

This tool should be grounded while in use to protect the operator from electric shock. This tool is equipped with an approved three-conductor cord and three-prong grounding type plug to fit the proper grounding type receptacle. The green (or green and yellow) conductor in the cord is the grounding wire. Never connect the green (or green and yellow) wire to a live terminal. Your unit is for use on less than 150 volts, it has a plug like that shown in Figure A. An adapter, Figures B and C, is available for connecting Figure A plugs to two-prong receptacles. The green-colored rigid ear, lug, etc., must be connected to a permanent ground such as a properly grounded outlet box. Adapter shown in Figures B & C is Not for Use in Canada.

We recommend that you **NEVER** disassemble the tool or try to do any rewiring in the electrical system. Any such repairs should be performed only by B&D Service Centers or other qualified service organizations. Should

you be determined to make a repair yourself, remember that the green colored wire is the "grounding" wire. Never connect this green wire to a "live" terminal. If you replace the plug on the power cord, be sure to connect the green wire only to the grounding (longest) prong on a 3-prong plug.

If you use an extension cord, be sure that it is a 3-conductor, grounding type cord. Grounding must be continuous from the tool plug to the grounded receptacle.

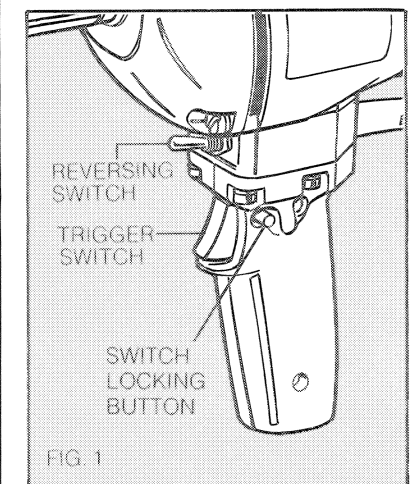


## Switches

Pulling the Trigger Switch turns the tool "ON"; releasing the trigger turns the tool "OFF". For controlling the rotational direction of the spindle, there is a switch built into the handle. For drilling, this switch is put in "F" (forward) position. To operate the drill in reverse, switch to "R". After all reversing operations, return the switch to the "F" position. A switch locking button permits locking the trigger in full "ON" position for continuous operation. To lock trigger in "ON" position, depress trigger and push in locking pin (located next to trigger). To release locking mechanism, depress and release trigger.

Do not lock the switch "ON" when drilling by hand so that you can instantly release the trigger switch if the bit binds in the hole.

The locking feature is for use when the drill is firmly clamped or otherwise mounted in a stationary position. Be sure to release the switch locking button before disconnecting the plug from the power supply. Failure to do so will cause the tool to start immediately the next time it is plugged in. Damage or injury could result.



## Spade Handle Assembly

Assemble Spade Handle as shown below. Tighten both screws to a snug fit, then tighten both screws an additional 1/2 turn.

