



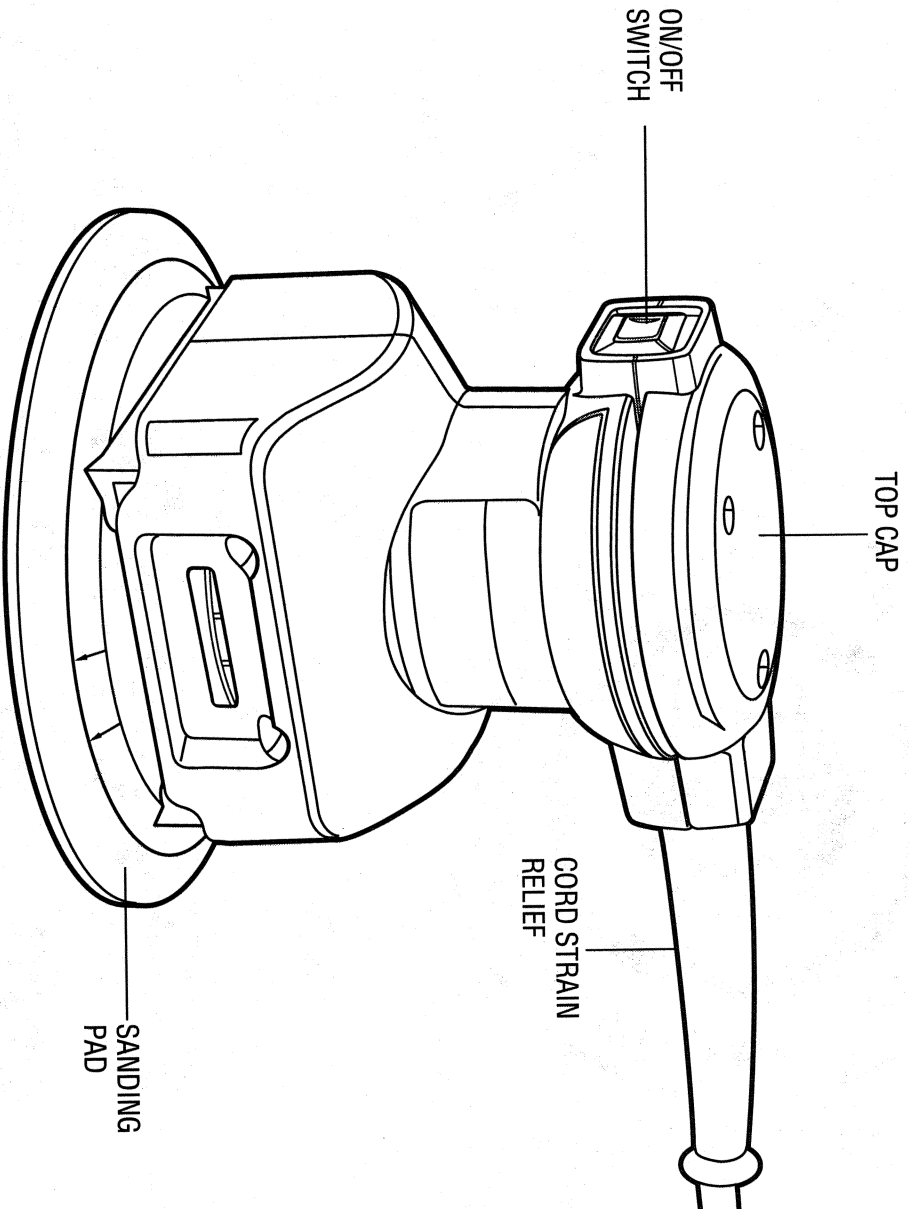
Instruction Manual

6160 Palm Grip Sander

Getting the most out of your tool.

Please take time to read this manual and pay particular attention to the safety rules we've provided for your protection. Don't forget to send in your owner's registration card. If you have any questions about your tool please call:

1-800-9-BD TOOL
(1-800-923-8665)



FOR YOUR SAFETY - ALL TOOLS

Important Safety Instructions

WARNING: When using electric tools, basic safety precautions should always be followed to reduce risk of fire, electric shock, and personal injury, including the following:

READ ALL INSTRUCTIONS

Double Insulation

Double insulated tools are constructed throughout with two separate layers of electrical insulation or one double thickness of insulation between you and the tool's electrical system. Tools built with this insulation system are not intended to be grounded. As a result, your tool is equipped with a two prong plug which permits you to use extension cords without concern for maintaining a ground connection.

NOTE: Double insulation does not take the place of normal safety precautions when operating this tool. The insulation system is for added protection against injury resulting from a possible electrical insulation failure within the tool.

CAUTION: WHEN SERVICING USE ONLY IDENTICAL REPLACEMENT PARTS. Repair or replace damaged cords.

Polarized Plugs

Polarized plugs (one blade is wider than the other) are used on equipment to reduce the risk of electric shock. When provided, this plug will fit in the polarized outlet only one way. If the plug does not fit fully into the outlet, reverse the plug. If it still does not fit, contact a qualified electrician to install the proper outlet. Do not change the plug in any way.

Safety Instructions For All Tools

- **KEEP WORK AREA CLEAN.** Cluttered areas and benches invite injuries.
- **CONSIDER WORK AREA ENVIRONMENT.** Don't expose power tools to rain. Don't use power tools in damp or wet locations. Keep work area well lit. Do not use tool in presence of flammable liquids or gases.
- **GUARD AGAINST ELECTRIC SHOCK.** Prevent body contact with grounded surfaces. For example; pipes, radiators, ranges, and refrigerator enclosures.
- **KEEP CHILDREN AWAY.** Do not let visitors contact tool or extension cord. All visitors should be kept away from work area.
- **STORE IDLE TOOLS.** When not in use, tools should be stored in dry, and high or locked-up place — out of reach of children.
- **DON'T FORCE TOOL.** It will do the job better and safer at the rate for which it was intended.
- **USE RIGHT TOOL.** Don't force small tool or attachment to do the job of a heavy-duty tool. Don't use tool for purpose not intended.
- **DRESS PROPERLY.** Do not wear loose clothing or jewelry. They can be caught in moving parts. Rubber gloves and non-skid footwear are recommended when working outdoors. Wear protective hair covering to contain long hair.
- **USE SAFETY GLASSES.** Also use face or dust mask if operation is dusty.
- **DON'T ABUSE CORD.** Never carry tool by cord or yank it to disconnect from receptacle. Keep cord from heat, oil, and sharp edges.
- **SECURE WORK.** Use clamps or a vise to hold work. It's safer than using your hand and it frees both hands to operate tool.
- **DON'T OVERREACH.** Keep proper footing and balance at all times.
- **MAINTAIN TOOLS WITH CARE.** Keep tools sharp and clean for better and safer performance. Follow instructions for lubricating and changing accessories. Inspect tool cords periodically and if damaged, have repaired by authorized service facility. Inspect extension cords periodically and replace if damaged. Keep handles dry, clean, and free from oil and grease.
- **DISCONNECT OR LOCK OFF TOOLS** when not in use, before servicing, and when changing accessories, such as blades, bits, cutters.
- **REMOVE ADJUSTING KEYS AND WRENCHES.** Form habit of checking to see that keys and adjusting wrenches are removed from tool before turning it on.

ADDITIONAL SAFETY INSTRUCTIONS

- **AVOID UNINTENTIONAL STARTING.** Don't carry tool with finger on switch. Be sure switch is off when plugging in.
- **EXTENSION CORDS.** Make sure your extension cord is in good condition. When using an extension cord, be sure to use one heavy enough to carry the current your product will draw. An undersized cord will cause a drop in line voltage resulting in loss of power and overheating. The following table shows the correct size to use depending on cord length and nameplate ampere rating. If in doubt, use the next heavier gage. The smaller the gage number, the heavier the cord.

Volts		Minimum Gage for Cord Sets			
		Total Length of Cord in Feet			
120V	0-25	26-50	51-100	101-150	
240V	0-50	51-100	101-200	201-300	
Ampere Rating		AWG			
More Than	Not more Than				
0	6	18	16	16	14
6	10	18	16	14	12
10	12	16	16	14	12
12	16	14	12	Not Recommended	

- **OUTDOOR USE EXTENSION CORDS.** When tool is used outdoors, use only extension cords intended for use outdoors and so marked.
- **STAY ALERT.** Watch what you are doing. Use common sense. Do not operate tool when you are tired.
- **CHECK DAMAGED PARTS.** Before further use of the tool, a guard or other part that is damaged should be carefully checked to determine that it will operate properly and perform its intended function. Check for alignment of moving parts, binding of moving parts, breakage of parts, mounting, and any other conditions that may affect its operation. A guard or other part that is damaged should be properly repaired or replaced by an authorized service center unless otherwise indicated elsewhere in this instruction manual. Have defective switches replaced by authorized service center. Do not use tool if switch does not turn it on and off.

- **ALWAYS WEAR EYE PROTECTION.**
- Clean your tool out periodically.
- **CAUTION:** Some wood contains preservatives such as copper chromium arsenate (CCA) which can be toxic. When sanding these materials extra care should be taken to avoid inhalation and minimize skin contact.

SAVE THESE INSTRUCTIONS

Motor

Your B&D tool is powered by a B&D built motor. Be sure your power supply agrees with the nameplate marking. (Volts, 120 AC only) Voltage decrease of more than 10% will cause loss of power and overheating. All B&D tools are factory tested; if this tool does not operate, check the power supply.

Attaching Abrasive Paper

Your sander is designed to use adhesive backed abrasive paper. To attach paper, make sure the tool is unplugged and that the platen is clean and free of old paper and carefully center it over the platen. Press firmly in place.

CAUTION: When using perforated paper be sure to raise the dust door (See Figure 3), and install the dust extraction hose adaptor and vacuum cleaner to ensure maximum effectiveness. Conversely, when not using the dust extraction feature, be sure to close the dust door, shown in Figure 3.

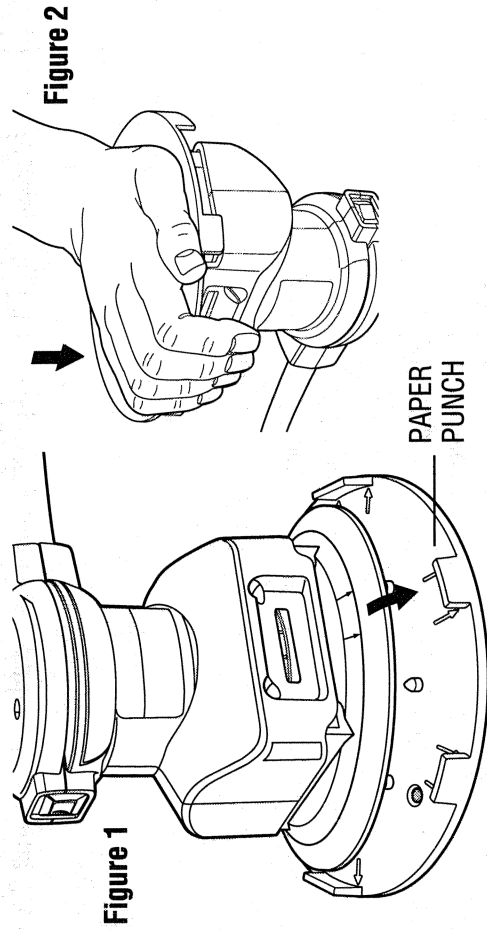


Figure 1

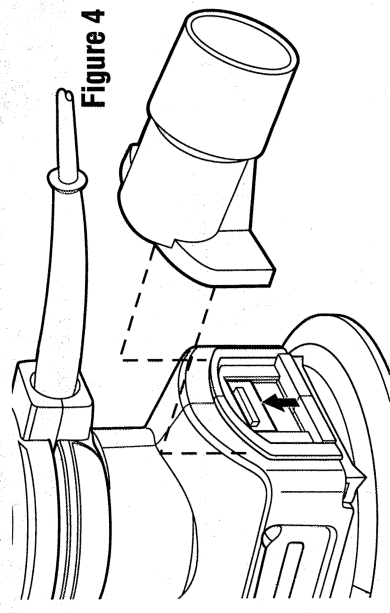


Figure 2

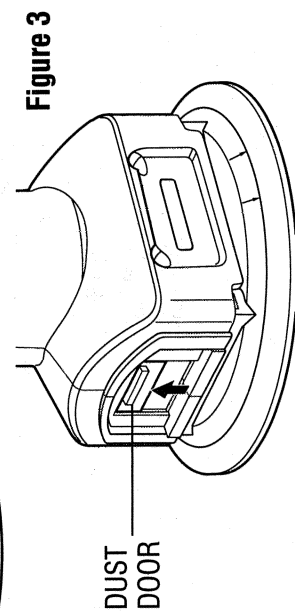


Figure 3

Paper Punch

A paper punch is provided with your sander to let you perforate regular sandpaper to make dust collection possible.

To perforate your sandpaper, install the sandpaper on the tool as instructed in this manual. With the sander turned off and unplugged, place the paper punch on the paper so that the arrows at the edges of the punch align with the arrows at the edges of the platen, as shown in Figure 1.

NOTE: There are only 2 sets of arrows on the platen and 6 sets on the paper

punch. Any set of arrows in alignment will properly position the punch. Press the punch against the pad so that the 6 points penetrate the paper, as shown in Figure 2. (Press the punch into the pad as far as it will go.) Remove the paper punch and the paper is ready.

An alternate method of perforating the paper is to fasten the punch down to a suitable work surface and press the sander (with the paper attached) down on the punch. Two holes are provided in the punch for this purpose. Use #8 flat head screws.

Dust Extraction Hose Adaptor

NEVER OPERATE THIS TOOL WITH PERFORATED PAPER UNLESS THE DUST EXTRACTION HOSE ADAPTOR AND HOSE ARE IN PLACE, OR THE DUST DOOR IS CLOSED.

To use the dust collecting system, raise the dust door by sliding it up into the housing, as shown in Figure 3. Lower the plastic end of the hose adaptor over the flange around the dust door and push it down as far as it will go (Figure 4) Attach your vacuum cleaner hose to the end of the hose adaptor to extract dust as you work.

TOOL OPERATION

Switch

To turn the unit on, depress the side of the dust protected switch that corresponds to the symbol "I". To turn the tool off, depress the side of the switch that corresponds to the symbol "O". (See Figure 5)

Sanding

To operate your sander, grasp it as shown in Figure 6 and turn it on. Move it in long, sweeping strokes along the surface being sanded, letting it do the work. Pushing down on the tool while sanding actually slows the removal rate and produces an inferior quality surface. Be sure to check your work often, this sander is capable of removing material rapidly, especially with coarse paper.

To produce the best finish possible, start with coarse grit sandpaper and change gradually to finer and finer paper. A final sanding with a piece of well worn fine sandpaper will produce a really professional looking finish that in many cases will need no hand sanding at all.

When sanding painted surfaces, you may find that the sandpaper loads up and clogs with paint. A B&D heat gun will work much better to remove paint before sanding. FOLLOW ALL SAFETY INSTRUCTIONS IN HEAT GUN INSTRUCTION MANUAL.

Precautions To Take When Sanding Paint

1. Sanding of lead based paint is NOT RECOMMENDED due to the difficulty of controlling the contaminated dust. The greatest danger of lead poisoning is to children and pregnant women.

2. Since it is difficult to identify whether or not a paint contains lead without a chemical analysis, we recommend the following precautions when sanding any paint:

PERSONAL SAFETY

- a. No children or pregnant women should enter the work area where the paint sanding is being done until all clean up is completed.
- b. A dust mask or respirator should be worn by all persons entering the work area. The filter should be replaced daily or whenever the wearer has difficulty breathing.

NOTE: Only those dust masks suitable for working with lead paint dust and fumes should be used. Ordinary painting masks do not offer this protection. See your local hardware dealer for the proper N.I.O.S.H. approved mask.

- c. NO EATING, DRINKING or SMOKING should be done in the work area to prevent ingesting contaminated paint particles. Workers should wash and clean up before eating, drinking or smoking. Articles of food, drink, or smoking should not be left in work area where dust would settle on them.

ENVIRONMENTAL SAFETY

- a. Paint should be removed in such a manner as to minimize the amount of dust generated.
- b. Areas where paint removal is occurring should be sealed with plastic sheeting of 4 mils thickness.
- c. Sanding should be done in a manner to reduce tracking of paint dust outside the work area.

CLEANING AND DISPOSAL

- a. All surfaces in the work area should be vacuumed and thoroughly cleaned daily for the duration of the sanding project. Vacuum filter bags should be changed frequently.
 - b. Plastic drop cloths should be gathered up and disposed of along with any dust chips or other removal debris. They should be placed in sealed refuse receptacles and disposed of through regular trash pick-up procedures.
 - c. During clean up, children and pregnant women should be kept away from the immediate work area.
- c. All toys, washable furniture and utensils used by children should be washed thoroughly before being used again.

Tool Care

Keep your machine as clean as possible by wiping with a clean cloth and occasionally blowing through with air. Don't use harsh chemicals or solvents to clean the tool. These chemicals could seriously damage the plastic.

Avoid overloading as it will result in a considerable reduction in speed and efficiency and the unit will become hot. In this event, run sander at a "no load" condition for a minute or two. This may be accomplished by holding unit away from work surface and allowing it to run "free speed".

Brush Replacement

TURN OFF TOOL AND DISCONNECT FROM POWER SUPPLY.

To replace the tool brushes, remove the three screws located in the top cap, as shown in Figure 7. Lift off the top cap. Observe the brush holders, as shown in Figure 8 and the wires leading from the brushes to the motor field. Pull the

Figure 5

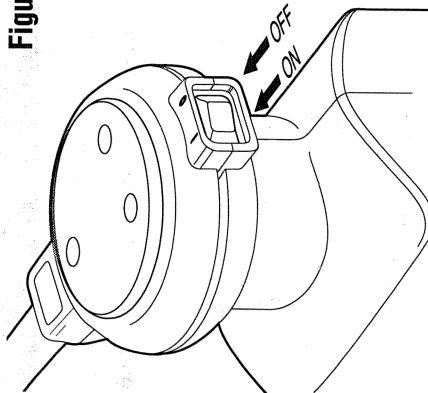


Figure 6

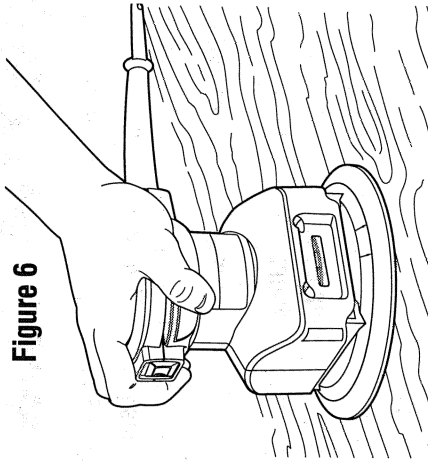


Figure 7

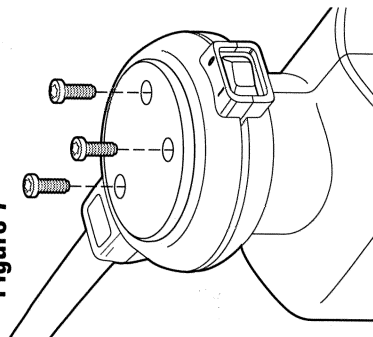
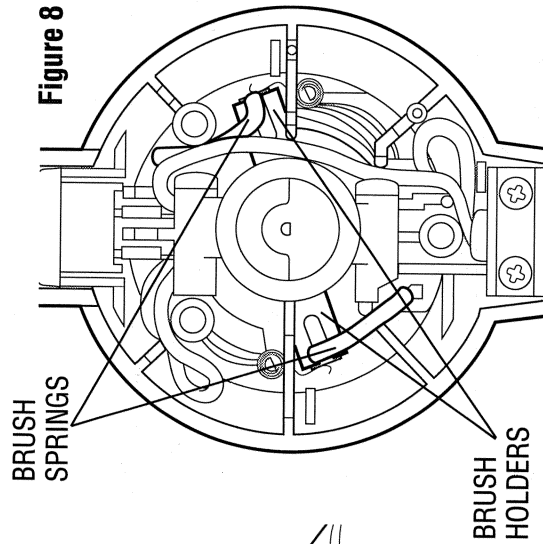


Figure 8



ACCESSORIES

wires from the motor field then lift and hold out of the way one of the brush springs. Remove the old brush from the brush holder and discard the brush/wire assembly. Still holding the brush spring out of the way, insert the new brush, release the spring against the back of the brush and plug the wire into the motor field.

Repeat the procedure for the second brush. Replace top cap and tighten the three screws that hold it in place. (Always replace both brushes.)

Lubrication

Self lubricating bearings are used in the tool and periodic re lubrication is not required. However, it is recommended that, once a year, you take or send the tool to a B&D service center for a thorough cleaning and inspection.

Recommended accessories for use with your tool are available at extra cost from your distributor or your local service center. A complete listing of service centers is included with your tool.

CAUTION: The use of any non-recommended accessory may be hazardous.

If you need any assistance in locating any accessory, call 1-800-9-BD TOOL (1-800-923-8665) or contact Black & Decker, Consumer Services Department, P.O. Box 618, 626 Hanover Pike, Hampstead, MD 21074.

Cat #	Grit	Discs per pack
74-450	Coarse	3
74-451	Medium	3
74-452	Fine	3
74-453	Extra Fine	3

Important

To assure product safety and reliability, particularly for double insulated products, repairs, maintenance, and adjustments should be performed by B&D service centers or other qualified service organizations, always using B&D replacement parts.

Every B&D tool is of the highest quality.

If you wish to contact us regarding this product, please call toll free between 8:00am and 8:00pm ET, seven days a week.

1-800-9-BD TOOL

(1-800-923-8665)

One Year Free Maintenance

All B&D tools for Industry and Construction are covered under a service/safety check program where B&D will inspect your tool for safety and provide necessary maintenance or repairs, including normal wear and tear parts, for one year, FREE OF CHARGE.

Full Warranty

All B&D tools for Industry and Construction are warranted to be free of any defects in materials or workmanship. Upon thorough examination of tool, B&D will repair or replace, at our option, any product that is determined to be defective.

Conditions

The service/safety check and the warranty do not apply to: repairs made or attempted by anyone other than an authorized B&D service location; misuse, abuse, neglect, improper application of the tool; missing parts; or normal wear and tear (after first year of ownership). Please return the complete unit, transportation prepaid, to any B&D factory owned or B&D authorized service center location (list provided with tool or see yellow pages under "Tools Electric").

YOUR POWER TOOLS MAY BE SERVICED AT THE FOLLOWING B&D SERVICE CENTERS.

ALABAMA: Birmingham 35209, 2412 Green Springs Hwy.	205-942-0538
Mobile 36608, 3931 Airport Blvd.	205-343-8624
ALASKA: Anchorage 99518, 910 West International Airport Rd.	907-563-4664
ARIZONA: Mesa 85202, 535 S. Dobson, Suite 7.	602-461-1074
Phoenix 85013, 4501 N. 7th Avenue.	602-279-6414
Tucson 85712, 4845 E. Speedway Blvd.	602-323-3388
ARKANSAS: Little Rock 72201, 519 W. Seventh St.	501-372-3040
CALIFORNIA: Anaheim 92806, 540 South State College Blvd.	714-772-4050
Chula Vista 91910, 309 Broadway.	619-420-6350
Concord 94520, 1500 Monument Blvd., #C2.	510-682-4880
Fresno 93710, 5412 North Blackstone Ave.	209-435-0810
Long Beach 90805, 2011 South St.	310-422-5825
Los Angeles 90040, 4820 South Eastern Ave., Suite "L".	213-720-1834
Riverside 92506, 6215 Magnolia Ave., Suite "B".	909-787-4700
Sacramento 95825, 2033 Fulton Ave.	916-972-8090
San Diego 92123, 9270 Clairemont Mesa Blvd.	619-279-2011
San Jose 95128, 1185 So. Bascom Ave.	408-293-7350
San Leandro 94578, 15206 E. 14th St.	510-276-1610
Van Nuys 91411, 14920 Victory Blvd.	818-787-5531
COLORADO: Denver 80219, 1171 S. Federal Blvd.	303-922-8325
CONNECTICUT: Orange 06477, 481 Boston Post Rd.	203-793-5833
Weehersfield (Hartford) 06109, 662 Silas Deane Hwy.	203-565-8800
DISTRICT OF COLUMBIA: Washington Contra Manor 20242, 4153 Bladensburg Rd.	301-779-3808
Falls Church 20726, 344 W. Broad St.	703-533-7313
FLORIDA: Ft. Lauderdale 33334, 799 E. Oakland Pk. Blvd.	305-566-5102
Ft. Myers 33907, 5224 Bank Street.	813-278-1188
Jacksonville 32205, 920 Cassat Ave.	904-781-2233
Miami (North) 33168, 13345 N.W. Seventh Ave.	305-681-8638
Miami (South) 33156, 12233 So. Dixie Hwy.	305-232-9497
Orlando 32803, 3807 E. Colonial Dr.	407-994-7011
St. Petersburg 33709, 5635 49th St., N.	813-525-0273
Tampa 33609, 3432 W. Kennedy Blvd.	813-872-8317
West Palm Beach 33415, 310 South Military Trail.	407-689-3247
GEORGIA: Atlanta (South) 30349, 5330 Old National Hwy.	404-762-8844
Atlanta 30080, 2550 Cobb Pkwy.	404-956-0869
Stone Mountain (Atlanta) 30086, 5723 Memorial Dr.	404-922-4714
HAWAII: Honolulu 96819, 330 Sand Island Access Road.	808-947-7447
ILLINOIS: Des Plaines (Chicago) 60018, 1277 South Elmhurst Rd.	708-364-5220
Lincolnwood (Chicago) 60464, 6710 N. Crawford Ave.	708-673-0923
Listie (West Chicago) 60532, 2950 Ogden Ave., Unit H.	708-717-1075
Moline 61266, 4433 23rd Ave.	309-762-3000
Oak Lawn (Chicago) 60453, 6343 W. 93th St.	708-423-1212
Walkegan 60085, 39 S. Greenway Rd.	708-249-4390
INDIANA: Evansville 47710, 307 First Ave., Crescent Cir.	812-425-4269
Hammond 46323, 7103 Kennedy Ave.	219-845-5100
Indianapolis 46224, 5999 Crawfordsville Rd.	317-243-8308
IOWA: Des Moines 50310, 3427 Marie Hay Rd.	515-270-1340
KANSAS: Wichita 67213, 155 S. West St.	316-943-1271
KENTUCKY: Louisville 40213, 5211 Preston Hwy.	502-968-7100
LOUISIANA: Baton Rouge 70815, 11859 Florida Blvd.	504-272-8111
Harvey 70058, 2500 Lapalco Blvd.	504-366-8676
Metairie (New Orleans) 70002, 3504 N. Causeway Blvd.	504-837-2550
Shreveport 71108, 7710-7714 Jewella Rd.	318-688-1553
MARYLAND: Baltimore (East) 21205, 4712 Erdman Ave.	410-485-5550
Baltimore (North) 21030, 29-31 Cranbrook Rd., Cockeysville.	410-665-5956
Baltimore (South) 21122, 8220 Ritchie Hwy., Pasadena.	410-647-8456
Colmar Manor 20722, 4153 Bladensburg Rd.	301-779-3808
MASSACHUSETTS: Brighton (Boston) 02135, 12 Market St.	617-782-6264
Seekonk 02771, 120 Highland Ave.	508-336-6510
MICHIGAN: Grand Rapids 49512, 3040 28th St., S.E.	616-949-8331
Lansing 48917, 3203 W. Saginaw Hwy.	517-323-4181
Warren 48093, 27035 Van Dyke Blvd.	313-756-6711
Westland (Detroit) 48185, 8067 North Wayne Rd.	313-427-1520
MINNESOTA: Bloomington (Minneapolis-St. Paul) 55420, 9517 Lyndale Ave., S.	612-884-9191
MISSOURI: Kansas City 64111, 4324 Main St.	816-531-0629
St. Ann (North St. Louis) 63074, 3637 North Lindbergh Blvd.	314-739-4661
St. Louis 63131, 12852 Manchester Rd.	314-821-8740
NEBRASKA: Omaha 68127, 4225 S. 84th St.	402-592-5666
NEVADA: Las Vegas 89104, 3411 East Charleston Blvd.	702-641-6555
NEW JERSEY: Cherry Hill 08034, 1444 E. Marlon Pike/Rte. 70.	609-429-2822
Little Falls 07424, 1189 U.S. Highway 46.	201-256-9373
Union (Scotch Plains) 07076, 2520 Route #22 East.	908-233-5665
NEW MEXICO: Albuquerque 87110, 5617 Menaul Blvd., N.E.	505-884-1002
NEW YORK: Buffalo 14209, 881 W. Delaware Ave.	716-884-6220
Centereach L.I. 11720, 2061-63 Middle Country Rd.	516-737-4706
Elmhurst (New York) 11373, 77-20 Queens Blvd.	718-335-1042
Latham (Albany) 12110, 836 Troy-Schenectady Rd.	518-785-1867
Rochester 14623, 2969 W. Henrietta Rd.	716-424-1310
Syracuse 13214, 3485 Erie Blvd., East.	315-446-3086
Westbury L.I. (New York) 11590, 1061 Old Country Rd.	516-997-6140
NORTH CAROLINA: Charlotte 28205, 3007 E. Independence Blvd.	704-374-1779
Greensboro 27407, 3716 High Point Rd.	910-852-1300
Raleigh 27604, 2930 Capital Blvd.	919-878-0337
OHIO: Cincinnati 45241, 2310 E. Sharon Rd.	513-772-3111
Columbus 43227, 3975 E. Livingston Ave.	614-237-0461
Dayton 45409, 2898 S. Dixie Dr.	513-296-1951
Mayfield Heights (East Cleveland) 44124, 5881 Mayfield Rd.	216-449-2770
OHIO (CONT'D): Parma Heights (Cleveland) 44130, 6483 Pearl Road.	216-842-9100
Toledo 43607, 3231 Dorr St.	419-531-8921
OKLAHOMA: Oklahoma City 73106, 1318 Linwood Blvd.	405-232-7515
Tulsa 74145, 3120 S. Sheridan Rd.	918-622-5666
OREGON: Portland 97209, 1640 N.W. Johnson St.	503-228-8631
PENNSYLVANIA: Evan's City 16033, 20808 Rt. 19 North.	412-779-9600
Harrisburg 17112, 6080 Allentown Blvd.	717-545-0651
Lancaster 17601, 118 Keller Ave.	717-393-5251
Philadelphia 19103, 333 N. 20th St.	215-564-5520
Philadelphia (North) 19115, 9977-81 Bustleton Ave.	215-484-7771
Pittsburg 15232, 3437 Baum Blvd.	412-382-2700
Whitehall (Allentown) 18052, 2242 MacArthur Rd.	610-435-9544
Wilkes-Barre 18702, 759 Kidder Street.	717-824-5704
PUERTO RICO: Puerto Nuevo.	809-783-3535
RHODE ISLAND: See Seekonk, MA	
SOUTH CAROLINA: Greenville 29607, 1557 Laurens Rd.	803-232-3038
TENNESSEE: Chattanooga 37421, 6231 Perimeter Drive, Space E.	615-894-5957
Knoxville 37917, 4118 N. Broadway.	615-688-0921
Memphis 38116, 1085 East Brooks Rd.	901-332-3444
Nashville 37211, 4811 Nolensville Rd.	615-833-8277
TEXAS: Amarillo 79106, 3008 West 6th Ave.	806-373-1531
Austin 78757, 6549 Burnet Rd.	512-459-1133
Dallas 75229, 2257 Royal Ln.	214-620-6655
El Paso 79915, 6822 Gateway East.	915-778-9769
Fort Worth 76111, 721 North Beach St.	817-831-3828
Garland 75043, 718 W. Centerville Rd.	214-686-9902
Houston 77022, 536 E. Tidwell Rd.	713-892-7111
Houston (S.W.) 77025, 9319 Stella Link Blvd.	713-664-3666
San Antonio 78201, 500 Culebra Ave.	210-732-1221
Webster 77598, 100 East NASA Rd. One.	713-338-4556
UTAH: Salt Lake City 84115, 1541 S. Third West St.	801-486-5828
VIRGINIA: Falls Church 22046, 344 W. Broad St.	703-533-7313
Hampton 23666, 3416 W. Mercury Blvd.	804-826-9382
Norfolk 23513, 7631 Sewells Point Rd.	804-480-3333
Richmond 23222, 1424 Chamberlayne Ave.	804-649-9245
WASHINGTON: Seattle 98108, 421 S. Michigan St.	206-763-2010
Spokane 99208, N. 7011 Division St.	509-467-8190
Tacoma 98409, 2802 S. 38th St.	206-473-6040
WEST VIRGINIA: Charleston 25312, 1638 Sixth Ave.	304-343-0289
WISCONSIN: Milwaukee (Wauwatosa) 53226, 10424 West Bluemound Rd.	414-453-4240

ALBERTA
Edmonton T6E 6H6, 3845 99th St. 403-462-5005

BRITISH COLUMBIA
Vancouver V5M 3Y7, 1735 Boundary Rd. 604-291-9942

MANITOBA
Winnipeg R3H OK3, 934 St. James St. 204-783-7294

NOVA SCOTIA
Halifax B3K 2A4, 6100 Young Street. 902-453-5090

ONTARIO
Brockville K6V 5W6, 100 Central Ave. 613-342-6641
Kanata K2L 1V3, 462 Hazeldean Rd #11 613-831-2332
Glencairn Plaza
London N6E 3A9, 981 Wellington Rd #6 519-649-2407
Markham L3P 3J3, 9275 Hwy 48 Unit 12/13 905-472-6168
Mississauga L4X 1L3, 1480 Dundas St. E #7. . 905-277- 0011
North York M3J 3G5, 48 Kodiak Cres 416-635-6740

QUEBEC
Brossard J4W 1M6, 5840 Boul Taschereau ... 514-462-4881
Montreal H1Y 1B4, 3061 Belanger 514-722-1021

**FOR ADDITIONAL SERVICE LOCATIONS
CALL: 1-800-9- BD TOOL**

Black & Decker (U.S.) Inc. • 701 East Joppa Road, Towson, Maryland 21286
Printed in U.S.A. (MAY95-CD-2) Form No. 159230-01 Copyright © 1994, 1995