



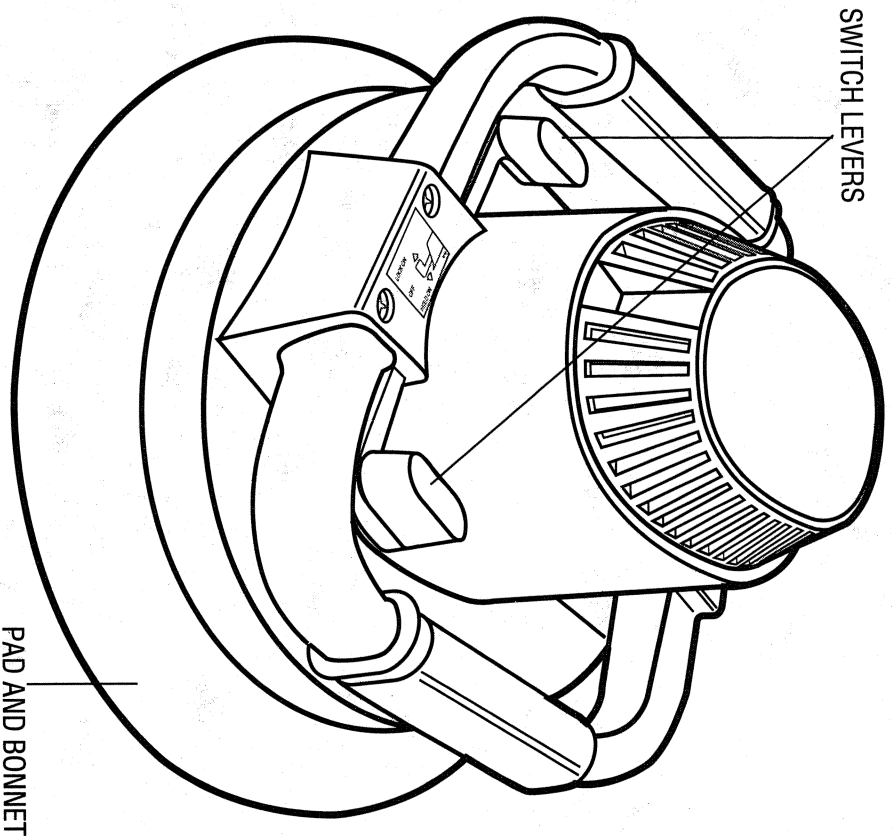
BUFF
BOSS™

Instruction Manual **6162 Random Orbit Polisher**

Getting the most out of your tool.

Please take time to read this manual and pay particular attention to the safety rules we've provided for your protection. Don't forget to send in your owner's registration card. If you have any questions about your tool please call:

1-800-9-BD TOOL
(1-800-923-8665)



FOR YOUR SAFETY - ALL TOOLS

WARNING: When using electric tools, basic safety precautions should always be followed to reduce risk of fire, electric shock, and personal injury, including the following:

READ ALL INSTRUCTIONS.

1. **KEEP WORK AREA CLEAN.** Cluttered areas and benches invite injuries.
2. **CONSIDER WORK AREA ENVIRONMENT.** Don't expose power tools to rain. Don't use power tools in damp or wet locations. Keep work area well lit.
3. **GUARD AGAINST ELECTRIC SHOCK.** Prevent body contact with grounded surfaces. For example: pipes, radiators, ranges, refrigerator enclosures.
4. **KEEP CHILDREN AWAY.** All visitors should be kept away from work area. Do not let visitors contact tool.
5. **STORE IDLE TOOLS.** When not in use, tools should be stored in dry, and high or locked-up place – out of reach of children.
6. **DON'T FORCE TOOL.** It will do the job better and safer at the rate for which it was intended.
7. **USE RIGHT TOOL.** Don't force small tool or attachment to do the job of a heavy-duty tool. Don't use tool for purpose not intended, for example, don't use circular saw for cutting tree limbs or logs.
8. **DRESS PROPERLY.** Do not wear loose clothing or jewelry. They can be caught in moving parts. Non-skid footwear is recommended when working outdoors. Wear protective hair covering to contain long hair.
9. **USE SAFETY GLASSES.** Also use face or dustmask if operation is dusty.
10. **DON'T ABUSE CORD.** Never carry tool by cord or yank it to disconnect from receptacle. Keep cord from heat, oil, and sharp edges.
11. **SECURE WORK.** Use clamps or a vise to hold work. It's safer than using your hand and it frees both hands to operate tool.

12. **DON'T OVERREACH.** Keep proper footing and balance at all times.
13. **MAINTAIN TOOLS WITH CARE.** Keep tools sharp and clean for better and safe performance. Follow instructions for lubricating and changing accessories. Keep handles dry, clean, and free from oil and grease.
14. **DISCONNECT TOOLS** when not in use, before servicing, and when changing accessories.
15. **REMOVE ADJUSTING KEYS AND WRENCHES.** Form habit of checking to see that keys and adjusting wrenches are removed from tool before turning it on.
16. **AVOID UNINTENTIONAL STARTING.** Don't carry plugged in tool with finger on switch. Be sure switch is off when plugging in.
17. **OUTDOOR USE EXTENSION CORDS.** When tool is used outdoors, use only extension cords intended for use outdoors and so marked.
18. **STAY ALERT.** Watch what you are doing. Use common sense. Do not operate tool when you are tired.
19. **CHECK DAMAGED PARTS.** Before further use of the tool, a guard or other part that is damaged should be carefully checked to determine that it will operate properly and perform its intended function. Check for alignment of moving parts, binding of moving parts, breakage of parts, mounting, and any other conditions that may affect its operation. A guard or other part that is damaged should be properly repaired by an authorized service center unless otherwise indicated in this manual. Have defective switches replaced by authorized service center. Don't use tool if switch does not turn it on and off.
20. **DO NOT OPERATE** portable electric tools near flammable liquids or in gaseous or explosive atmospheres. Motors in these tools normally spark, and the sparks might ignite fumes.

SAVE THESE INSTRUCTIONS FOR FUTURE USE

ADDITIONAL SAFETY INSTRUCTIONS

Random Orbit Polisher:

1. Always wear eye protection.
2. Be sure that pad assembly and bonnet are installed correctly before turning polisher on.
3. Keep hands and fingers away from rotating bonnet.
4. Before turning the polisher on, be sure that the pad rotates freely without rubbing the polisher housing.
5. Inspect the bonnet frequently for wear, dirt, or imbedded debris.
6. Never use damaged or torn bonnets.
7. Wear proper clothing, short sleeves, nothing loose or bulky.
8. Do not turn polisher on unless the polishing bonnet is against the surface being polished.
9. Be extremely careful when polishing around sharp or protruding objects on the car body. Never use draw string bonnets.
10. **CAUTION:** Do not allow the extension cord to contact the rotating bonnet as it may quickly become entangled. If this occurs, turn polisher off and unplug the extension cord before attempting to untangle the cord. If the cord is damaged, have it replaced or repaired at your local service center.

Motor

Your B&D tool is powered by a B&D built motor. Be sure your power supply agrees with the nameplate marking. A marking of 120 volts AC only means alternating current only. Voltage decrease of more than 10% will cause loss of power and overheating. All B&D tools are factory tested. If this tool fails to operate, check the power supply.

Double Insulation

Your unit is double insulated to permit use on non-grounded circuits. This means that it is constructed throughout with two separate layers of electrical insulation between you and the tool's electrical system. Tools built with this insulation system are not intended to be grounded. As a result, your tool is equipped with a two prong plug which permits you to use extension cords without concern for maintaining a ground connection.

NOTE: Double insulation does not take the place of normal safety precautions when operating this tool. The insulation system is for added protection against injury resulting from a possible electrical insulation failure within the tool.

CAUTION: When servicing all tools, **USE ONLY IDENTICAL REPLACEMENT PARTS.** Repair or replace damaged cords.

Extension Cords

Double insulated tools have 2-wire cords and can be used with 2-wire or 3-wire extension cords. Only round jacketed extension cords should be used, and we recommend that they be listed by Underwriters Laboratories (U.L.) (C.S.A. in Canada). If the extension will be used outside, the cord must be suitable for outdoor use. Any cord marked as outdoor can also be used for indoor work. The letters "W" or "WA" on the cord jacket indicate that the cord is suitable for outdoor use. An extension cord must have adequate wire size (AWG or American Wire Gauge) for safety, and to prevent loss of power and overheat-

ing. The smaller the gauge number of the wire, the greater the capacity of the cable, that is 16 gauge has more capacity than 18 gauge. When using more than one extension to make up the total length, be sure each individual extension contains at least the minimum wire size. To determine the minimum wire size required, refer to the following chart.

CHART FOR MINIMUM WIRE SIZE (AWG) OF EXTENSION CORDS

| NAMEPLATE RATING-AMPS | TOTAL EXTENSION CORD LENGTH - FEET | | | |
|-----------------------|------------------------------------|----|----|-----|
| 0 - 10.0 | 25 | 50 | 75 | 100 |
| 10.1 - 13.0 | 18 | 18 | 16 | 14 |
| 13.1 - 15.0 | 16 | 16 | 14 | 14 |
| | 14 | 14 | 12 | 12 |
| | | | 12 | 12 |
| | | | 12 | 12 |
| | | | 12 | 12 |

Before using an extension cord, inspect it for loose or exposed wires, damaged insulation, and defective fittings. Make any needed repairs or replace the cord if necessary. B&D has extension cords available that are U.L. (C.S.A. in Canada) listed for outdoor use.

Features and Benefits

- Direct Drive, permanent magnet motor:** Smooth, quiet and reliable operation.
- Heavy-duty construction:** Stands up to years of hard use.
- 11" diameter composite pad:** Double-layer construction resists polish absorption, conforms to curves on body panels, provides long pad life.
- Ergonomic design:** Better balance and cushioned foam grips reduce operator fatigue.
- Top bumper:** Allows tool to rest on work surface without marring.
- Exclusive switch:** Convenient for both right-handed and left-handed operation. Operates as either momentary or lock-on switch.
- Exclusive quick-change pad:** Reduces downtime by allowing worn pads to be replaced in seconds.
- Serviceability:** All components are easily accessed for quick servicing, less downtime.

TOOL OPERATION

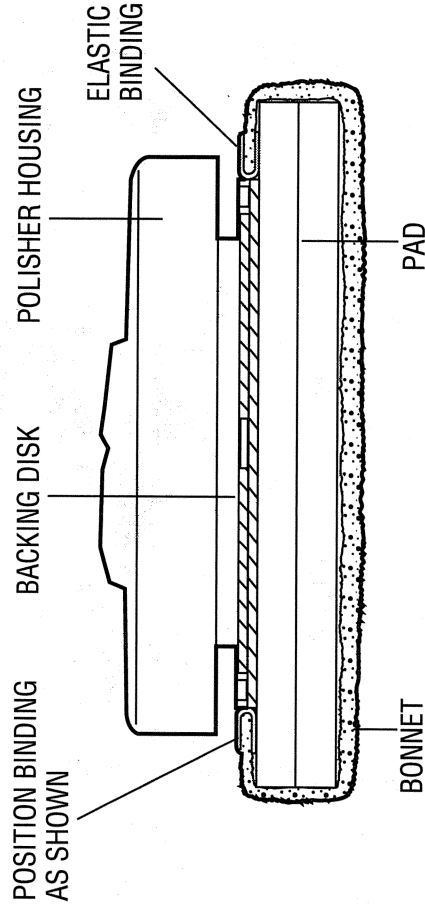
Bonnet Installation

TURN OFF TOOL AND DISCONNECT FROM POWER SUPPLY BEFORE INSTALLING OR REMOVING BONNET.

For best results, use B&D replacement bonnets. The use of other bonnets may cause excessive vibration.

1. Stretch the elastic binding of the bonnet over the polishing pad as shown in Figure 1. Make sure that binding of bonnet does not extend up over the side of the backing disk. To prevent excessive bonnet wear, also make sure that the binding does not rub against the polisher housing.
2. Before plugging in the tool and turning it on, rotate the pad by hand to assure that it rotates freely and that the bonnet does not rub or interfere with any other parts of the polisher.

Figure 1



Switch

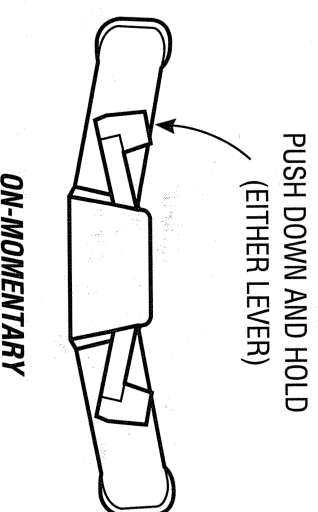
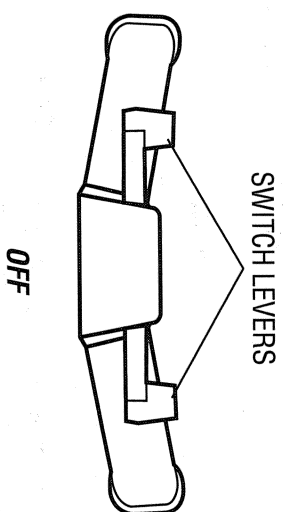
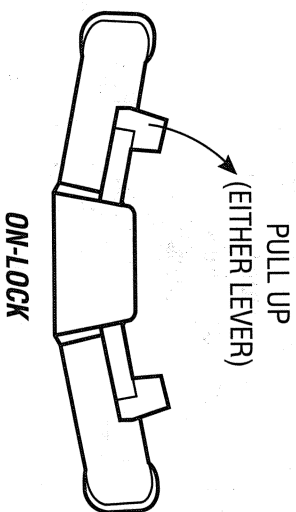
Do not turn the polisher on unless the bonnet is in contact with the work surface. Turn the polisher off before lifting the tool off of the work surface.

1. Refer to Figure 2. The polisher switch can be operated as either a momentary switch or a lock-on switch, using either the right side or left side thumb switch levers.
2. Pushing down on either of the thumb switch levers will turn the polisher on. The polisher will continue to run as long as either of the switch levers is pushed down. Releasing the switch levers will cause the switch to return to the off position.
3. Lifting either of the switch levers will turn the polisher on in the lock-on mode. The tool will continue to run without maintaining any pressure on either of the switch levers. To turn the tool off while it is in the lock-on mode, simply push down on either switch lever and release. The switch will return to the off position automatically.

Polishing Technique

The following instructions for using your polisher will provide excellent results when used with many auto cleaning products. However, for best results, we recommend using products specifically designed for use with orbital polishers. We also recommend following the specific instructions for use given by the manufacturer of each cleaning, polishing, or waxing product.

Figure 2



- 1. WASH THE CAR:** Before applying any polishing product to the car finish, remove all road grime, dirt or dust. If necessary, use a spot remover to remove road tar. Do not apply polish over a dirty finish. Applying polish to a dirty surface will do permanent damage. Make sure car surfaces are completely dry before applying polish.
- 2. APPLY POLISH TO THE BONNET:** Install a bonnet on the polisher pad. Apply a small amount of polish to the bonnet, but do not start the polisher until the bonnet is in contact with the car. Starting the tool without this contact will cause spraying of the polish.
- 3. APPLY POLISH TO THE CAR:** Place the polisher in the center of the area to be polished and turn the unit on. Move the tool over the surface with side-to-side and front-to-back overlapping strokes. Work from the center out to the edges of the area. Simply guide the tool, and allow the weight of the tool to apply the proper pressure. When polishing the sides of the car, apply only light pressure to keep the tool in contact with the car. Apply additional polish to the bonnet as necessary.
- 4. WAXING HARD-TO-REACH PLACES:** Use the polish saturated bonnet (removed from the tool) to apply wax to hard-to-reach areas around bumpers, mirrors and trim work.
- 5. REMOVE POLISH AND BUFF:** Allow the applied polish to dry thoroughly before starting to remove it and buff the car. Replace the applicator bonnet with a clean dry one and move the polisher over the car starting at the top and then down the sides. Let the weight of the tool do the work on the horizontal surfaces and use light pressure on the sides and other vertical surfaces. The polisher will remove the dried wax and buff the surface to a finished shine. Buff the hard-to-reach areas by hand. It is recommended that the fine dry dust left after removing the dried wax be removed by hand with a dry soft cloth.

Additional Information / Tips

1. Finishes which are severely oxidized or damaged by air pollutants, particularly horizontal surfaces- roofs, hoods, etc, may require two or more applications of polish or cleaner to restore the finish.
2. Removing cleaning products which have not dried completely or allowing dried product dust to build up on the finish may clog the bonnet. If this happens: a) Remove the bonnet and shake hard to remove the dried dust. b) Turn the bonnet inside-out and reinstall it to the pad.
3. As you move the polisher over the work surface, you may notice the polisher head appear to turn clockwise, stop turning, or turn counterclockwise. This is normal for random orbital polishing action and will not affect the quality of the finish.
4. The chemical action of the polishes, cleaners, and waxes, together with the speed of the polisher will do the work for you. Applying heavy pressure to the polisher is not recommended.
5. Applying excessive amounts of any products to the bonnet may cause the product to be sprayed over areas of the finish that have been already completed.
6. Polish flat surfaces of the car first and then work out to the edges. This will minimize the amount of dried cleaner that can build up on the edges.
7. When you are finished using the polisher, remove the bonnet. Wash the bonnet thoroughly in a strong solution of detergent and warm water. Floor cleaning detergents work best. Do not use abrasive cleaners. Do not machine wash. Store the polisher so that it rests on the top bumper. Never store the polisher resting on the side of the pad.

BE SURE TOOL IS OFF AND DISCONNECTED FROM POWER SUPPLY BEFORE REMOVING OR REPLACING PAD ASSEMBLY.

Use only B&D replacement pad assemblies. The use of other pads may be hazardous and will produce excessive vibration.

DO NOT RUN THE POLISHER WITHOUT A PAD ASSEMBLY PROPERLY INSTALLED.

Pad Removal

The 6162 polisher is equipped with a quick-change pad feature. To change the pad assembly, you will need a medium size, straight blade screwdriver.

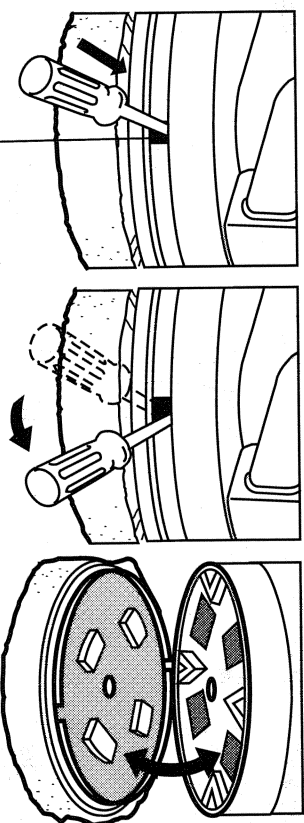
1. Locate one of the two open slots in the side of the pad backing disk. (Slots will be visible in the space between the pad assembly and the bottom edge of the polisher housing.)
2. Insert a narrow, straight blade screwdriver into the slot as shown in Figure 3. Blade tip should be inserted approximately 3/4" (18mm). Push screwdriver handle forward and to the right, as shown to release pad assembly latch. Lift polisher straight up off of pad assembly.

Pad Installation

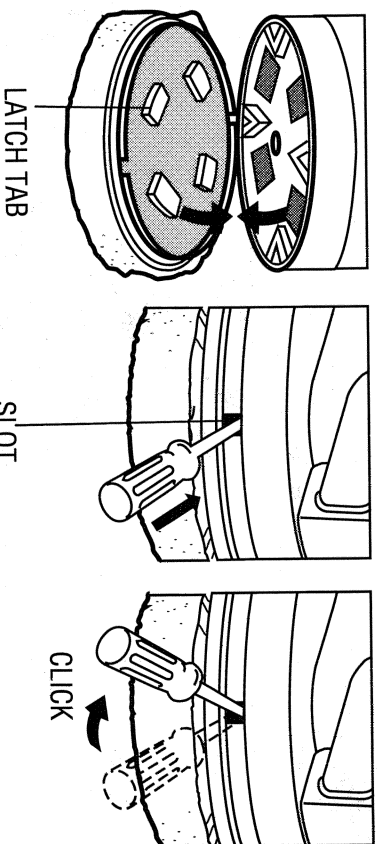
1. Lower polisher straight down on top of replacement pad, making sure that the four latch tabs on the pad assembly enter the four rectangular openings on the bottom of the polisher platen.
2. Insert the screwdriver blade into one of the two open slots in the side of the pad backing disk as shown in Figure 3. Pull the screwdriver handle back to the left, as shown until you feel the latch tabs click into place.
3. Before plugging in the tool and turning it on, rotate the pad by hand to assure that it rotates freely. Inspect the pad assembly visually to verify that it has been installed correctly.

Figure 3

PAD REMOVAL



PAD INSTALLATION



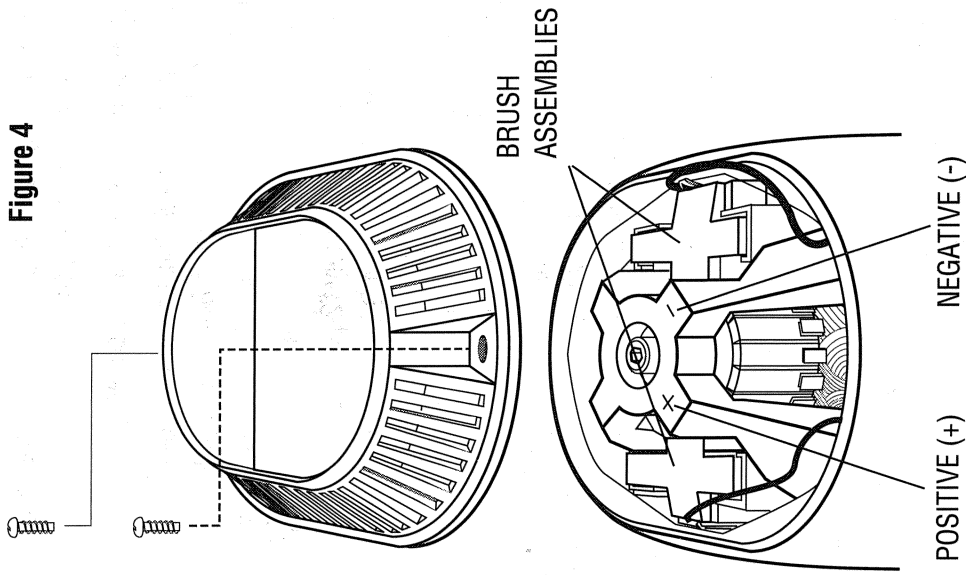
MAINTENANCE

Brush Replacement

TURN OFF TOOL AND DISCONNECT FROM POWER SUPPLY.

1. Remove the top cap screws. Lift the top cap off to expose the brush assemblies (Figure 4).
2. Lift each brush assembly straight up out of the polisher housing. Unplug the wire connector from the end of the worn brush assembly.
3. Plug the wire connector into the new brush assembly. Push the brush back into its assembly and hold until installed into the polisher housing. **Be sure that the red wire (positive) is connected to the brush assembly next to the "+" mark on the polisher housing. Be sure that the black wire (negative) is connected to the brush assembly next to the "-" mark on the polisher housing.**
4. Replace the top cap and the top cap screws.

Figure 4



ACCESSORIES

Recommended accessories for use with your tool are available at extra cost from your distributor or your local service center. A complete listing of service centers is included with your tool.

CAUTION: The use of any non-recommended accessory may be hazardous.

If you need any assistance in locating any accessory, call 1-800-9-BD TOOL (1-800-923-8665) or contact Black & Decker, Consumer Services Department, P.O. Box 618, 626 Hanover Pike, Hampstead, MD 21074.

37798 Heavy Duty 1" Terry Cloth Bonnet (2 per package)

60620 Replacement Pad Assembly (2 per package)

132317-00 Extension Cord (16 AWG.) 25 ft. heavy duty.

Important

To assure product safety and reliability, repairs, maintenance, and adjustments should be performed by B&D service centers or other qualified service organizations, always using B&D replacement parts.

Every B&D tool is of the highest quality.

If you wish to contact us regarding this product, please call toll free between 8:00am and 8:00pm ET, seven days a week:

1-800-9-BD TOOL
(1-800-923-8665)

One Year Free Maintenance

All B&D tools for Industry and Construction are covered under a service/safety check program where B&D will inspect your tool for safety and provide necessary maintenance or repairs, including normal wear and tear parts, for one year, FREE OF CHARGE.

Full Warranty

All B&D tools for Industry and Construction are warranted to be free of any defects in materials or workmanship. Upon thorough examination of tool, B&D will repair or replace, at our option, any product that is determined to be defective.

Conditions

The service/safety check and the warranty do not apply to: repairs made or attempted by anyone other than an authorized B&D service location; misuse, abuse, neglect, improper application of the tool; missing parts; or normal wear and tear (after first year of ownership). Please return the complete unit, transportation prepaid, to any B&D factory owned or B&D authorized service center location (list provided with tool or see yellow pages under "Tools Electric").

These symbols on the nameplate mean the product is listed by Underwriters Laboratories, Inc. and certified by the Canadian Standards Association.



Black & Decker (U.S.) Inc. • 701 East Joppa Road, Towson, Maryland 21286

Printed in U.S.A. (MAR94-CD-1) Form No. 159231 Copyright © 1994