

IMPORTANT

To assure product SAFETY and RELIABILITY, repairs and maintenance should be performed by Black & Decker Service Centers or other qualified service organizations, always using Black & Decker replacement parts.

**HOME USE WARRANTY
(A FULL TWO YEAR WARRANTY)**

Black & Decker (U.S.) Inc. warrants this product for two years against any defects (that are due to faulty material or workmanship). Please return the complete unit, transportation prepaid, to the seller (if a participating retailer) for free replacement (proof of purchase may be required). The unit may also be returned to Black & Decker Service Center or Authorized Service Station, listed under "Tools Electric" in the yellow pages for free replacement or repair at our option. This warranty does not apply to accessories. This warranty gives you specific legal rights and you may have other rights which vary from state to state. Should you have any questions, contact your nearest Black & Decker Service Center Manager.

Every Black & Decker tool is of the highest quality. If you wish to contact us regarding this product, please call toll free between 9:00 a.m. and 5:00 p.m. EST, Monday through Friday.
1-800-762-6672

This symbol on the nameplate means the product is Listed by Underwriters' Laboratories, Inc.



See 'Tools-Electric'
—Yellow Pages—
for Service & Sales

BLACK & DECKER (U.S.) INC.
U.S. Power Tools Group
701 E. Joppa Road, Towson, MD 21286 U.S.A.

Form No. 741084-02

(JUL92-CD-10)

Copyright ©1992 Black & Decker Printed in U.S.A.



BLACK & DECKER®
INSTRUCTION MANUAL



7 1/2" Power Band Saw

9422 7 1/2" POWER BAND SAW

INTRODUCTION

Cut intricate designs, scroll and straight cut. The new 9422 7 1/2" Power Band Saw from Black & Decker is built for the serious wood worker. With convenient up-front controls, this quiet running band saw gives you, the do-it-yourselfer, a new level of performance and reliability. Maximum depth of cut 4". Maximum width of cut 7 1/2". Don't forget to send in your owner's registration card.

Thank you for buying Black & Decker!

IMPORTANT SAFETY INSTRUCTIONS

WARNING: When using Electric Tools, basic safety precautions should always be followed to reduce the risk of fire, electric shock, and personal injury, including the following:

READ ALL INSTRUCTIONS

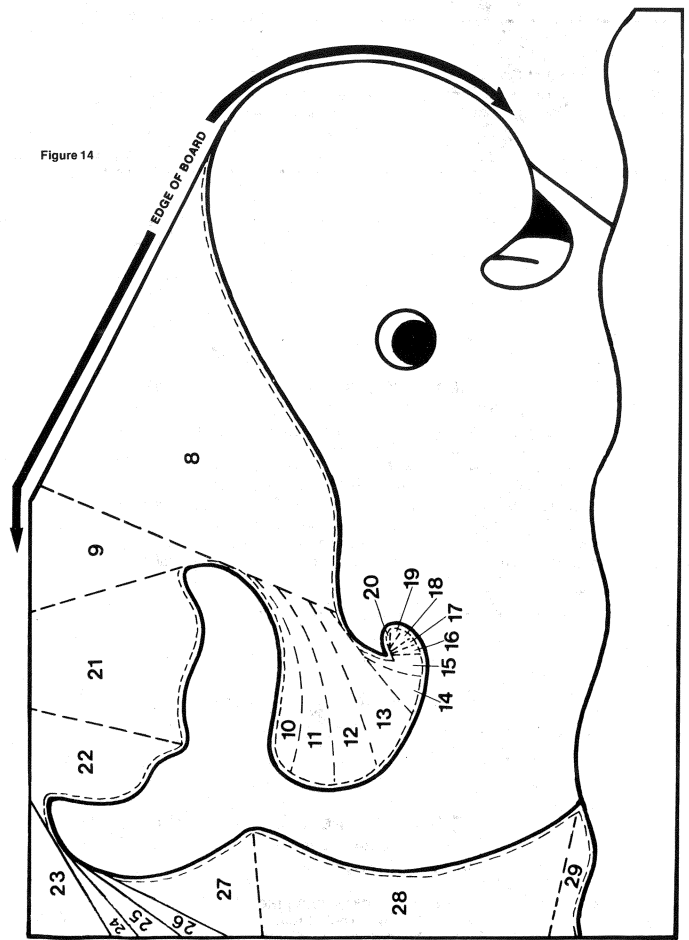
1. **WHEN SERVICING, USE ONLY IDENTICAL REPLACEMENT PARTS.**
2. **KEEP GUARDS IN PLACE** and in working order.
3. **REMOVE ADJUSTING KEYS AND WRENCHES.** Form habit of checking to see that keys and adjusting wrenches are removed from tool before turning it on.
4. **KEEP WORK AREA CLEAN.** Cluttered areas and benches invite accidents.
5. **KEEP CHILDREN AWAY.** All visitors should be kept a safe distance from work area.
6. **MAKE WORKSHOP KID PROOF** with padlocks, master switches, or by removing start keys.
7. **DON'T FORCE TOOL.** It will do the job better and safer at the rate for which it was designed.
8. **USE RIGHT TOOL.** Don't force tool or attachment to do a job for which it was not designed.
9. **WEAR PROPER APPAREL.** Don't wear loose clothing, gloves, neckties, rings, bracelets, or other jewelry that could get caught in moving parts. Non-slip footwear is recommended. Wear protective hair covering to contain long hair.
10. **ALWAYS WEAR SAFETY GLASSES.** Also use face or dust mask if cutting operation is dusty. Everyday eyeglasses have only impact resistant lenses, they are not safety glasses.
11. **KNOW YOUR POWER TOOL.** Read instruction manual carefully. Learn its applications and limitations as well as the specific potential hazards peculiar to this tool.
12. **AVOID DANGEROUS ENVIRONMENT.** Don't use power tools in damp or wet locations or expose them to rain. Keep work area well lighted.

13. **DISCONNECT TOOLS** before servicing; when changing accessories such as blades, bits, cutters, etc.
14. **AVOID UNINTENTIONAL STARTING.** Make sure switch is in the **OFF** position before plugging in.
15. **USE RECOMMENDED ACCESSORIES.** Consult the instruction manual for recommended accessories. The use of improper accessories may cause risk of injury.
16. **CHECK DAMAGED PARTS.** Before further use of the tool, a guard or other part that is damaged should be carefully checked to determine that it will operate properly and perform its intended function—check for alignment of moving parts, binding of moving parts, breakage of parts, mounting, and any other conditions that may affect its operation. A guard or other part that is damaged should be properly repaired or replaced.
17. **NEVER LEAVE TOOL RUNNING UNATTENDED. TURN POWER OFF.** Don't leave tool until it comes to a complete stop.
18. **SECURE TOOL.** Use clamps, screws or bolts to secure tool to a suitable work surface. (See page 6 for **BENCH MOUNTING.**)
19. **DON'T OVERREACH.** Keep proper footing and balance at all times.
20. **MAINTAIN TOOLS WITH CARE.** Keep tools sharp and clean for best and safest performance. Follow instructions for lubricating and changing accessories.
21. **DON'T ABUSE CORD.** Never carry tool by cord or yank it to disconnect from receptacle. Keep cord from heat, oil and sharp edges.
22. **DO NOT OPERATE TOOL IN GASEOUS OR EXPLOSIVE ATMOSPHERES.**
23. **USE A PUSH STICK** for cutting small pieces.
24. **ALWAYS REFER TO CHECKLIST** before operating (see page 6).
25. **THIS TOOL IS FOR RESIDENTIAL USE ONLY.**

SPECIAL SAFETY RULES FOR BAND SAWS

1. Always operate this saw with the table insert in place.
2. Always be sure that the side cover is closed and secured during use.
3. Both upper and lower blade guides must remain in position during use.
4. Keep fingers away from underside of table around blade area while the saw is running.
5. This saw is recommended for cutting wood, metal and plastic only.

Figure 14



SAVE THESE INSTRUCTIONS FOR FUTURE USE.

DOUBLE INSULATION

Your tool is DOUBLE INSULATED to give you added safety. This means that it is constructed throughout with TWO separate "layers" of electrical insulation or one DOUBLE thickness of insulation between you and the tool's electrical system.

Tools built with this improved insulation system are not intended to be grounded. As a result, your tool is equipped with a two-prong plug which permits you to use any conventional 120 volt electrical outlet without concern for maintaining a ground connection.

NOTE: DOUBLE INSULATION does not take the place of normal safety precautions when operating this tool. The improved insulation system is for added protection against injury resulting from a possible electrical insulation failure within the tool.

CAUTION: When servicing Double Insulated Tools, USE ONLY IDENTICAL REPLACEMENT PARTS. Replace or repair damaged cords.

EXTENSION CORDS

Double insulated tools have 2 wire cords, and can be used with 2 wire or 3 wire extension cords. Only round jacketed extension cords should be used, and we recommend that they be listed by Underwriters Laboratories (U.L.). If the extension will be used outside, the cord must be suitable for outdoor use. Any cord marked as outdoor can also be used for indoor work. (The letters "WA" on the cord jacket indicate that the cord is suitable for outdoor use.)

An extension cord must have adequate wire size (AWG - American Wire Gauge) for safety, and to prevent loss of power and overheating. The smaller the gauge number of the wire, the greater the capacity of the cable, that is 16 gauge has more capacity than 18 gauge. When using more than one extension to make up the total length, be sure each individual extension contains at least the minimum wire size.

To determine the minimum wire size required, refer to the chart below:

CHART FOR MINIMUM WIRE SIZE (AWG) OF EXTENSION CORDS									
NAMEPLATE RATING - AMPS	TOTAL EXTENSION CORD LENGTH - FEET								
	25	50	75	100	125	150	175	200	
0 - 10.0	18	18	16	16	14	14	12	12	12
10.1 - 13.0	16	16	14	14	14	12	12	12	12
13.1 - 15.0	14	14	12	12	12	12	12	12	--

Before using an extension cord, inspect it for loose or exposed wires, damaged insulation, and defective fittings. Make any needed repairs or replace the cord if necessary. Black & Decker has extension cords available that are U.L. listed for outdoor use.

MOTOR

Your Black & Decker tool is powered by a B&D-built motor. Be sure your power supply agrees with nameplate marking. 120 Volts 50/60 Hz means ALTERNATING CURRENT (Normal 120 Volt, 60 cycle house current). Voltage decrease of more than 10% will cause loss of power and overheating. All B&D tools are factory-tested; if this tool does not operate, check the supply line for blown fuses; plug and receptacle for contact.

LUBRICATION

Self-lubricating bearings are used in the saw and periodic lubrication is not required. In the unlikely event that your Band Saw should ever require service or adjustment, take or send the tool to a B&D Service Center. Service Center addresses are listed on the Owner Registration Card packed with your tool.

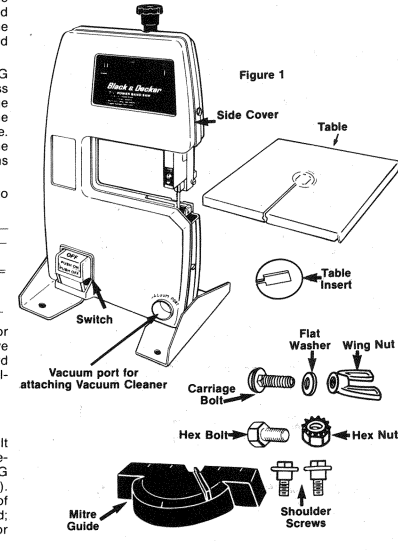
ASSEMBLY

CAUTION: PERFORM ALL ASSEMBLY AND ADJUSTMENT PROCEDURES WITH THE SAW TURNED OFF AND UNPLUGGED.

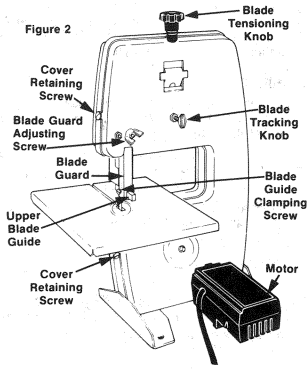
In addition to this instruction manual, your Band Saw carton contains the following parts:

1. Catalog #9422 7½" Power Band Saw
2. Table and Quadrant Assembly
3. One 1/4" General Purpose Blade
4. Mitre Guide
5. Plastic Bag Containing:
 - a. Table Insert
 - b. Table Mounting Hardware

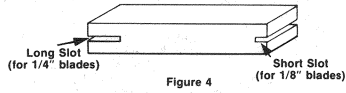
Study **Figures 1 and 2** to become familiar with the various parts of your Band Saw.



ASSEMBLY (Cont'd.)



Installing the Saw Blade - Cont'd.
(Turn OFF and UNPLUG Band Saw)

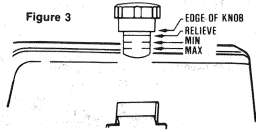


NOTE: Refer to Figure 4 for correct orientation of the upper blade guide when installing accessory $\frac{1}{8}$ " blades.

4. Remove the blade from the carton and examine it closely. It's possible that the blade is inside out. Hold the blade as shown in Figure 5, with the saw teeth facing you. The teeth in your right hand should angle downward. If they do not, the blade is inside out. To correct this problem, grasp the blade with your fingertips and thumbs and snap it inside out. CAUTION: SAW BLADES ARE VERY SHARP. USE CARE WHEN HANDLING THEM.

Installing the Saw Blade
(Turn OFF and UNPLUG Band Saw)

1. Loosen the four cover retaining screws and remove the side cover from the saw.
2. Rotate the Blade Tensioning Knob counterclockwise until three rings are visible beneath the knob, as shown in Figure 3.



3. Adjust the Blade Guard to a position about halfway between fully up and fully down.

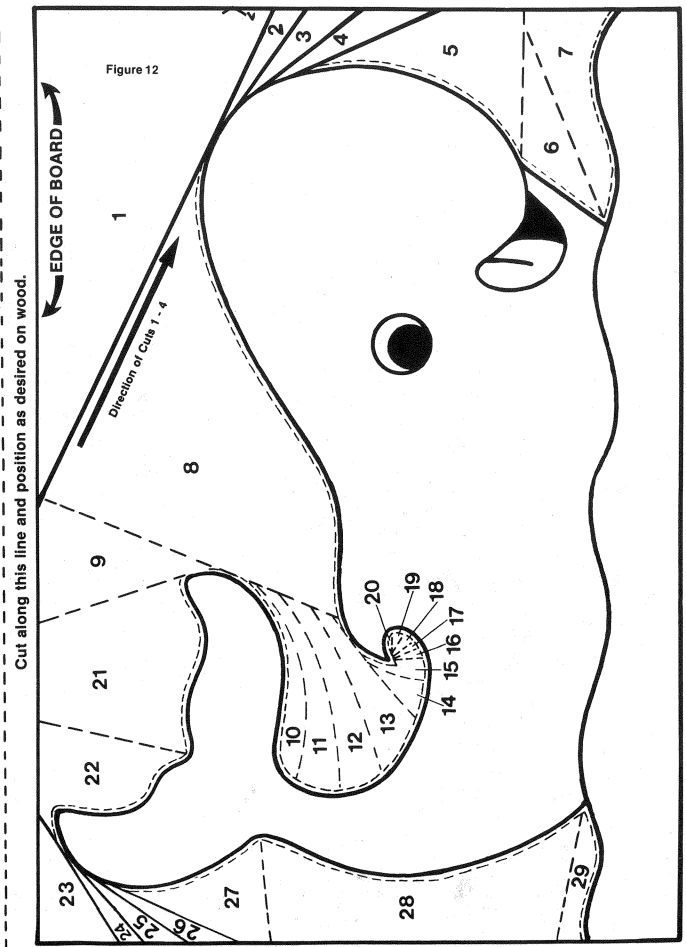
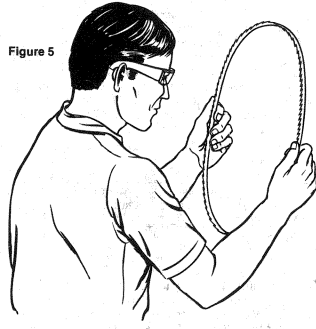
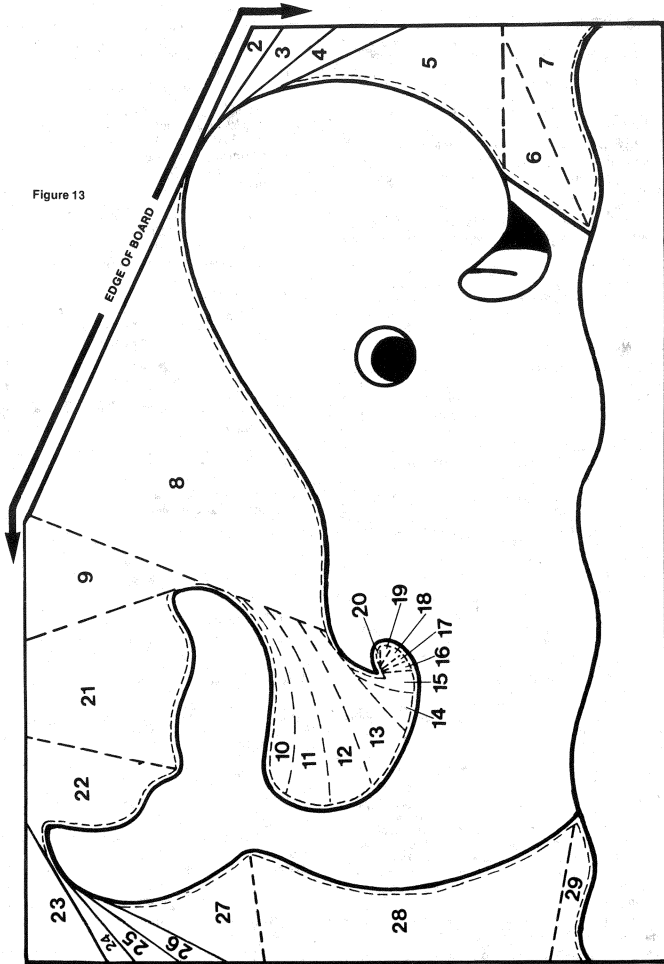


Figure 13



8

Installing the Saw Blade - Cont'd.
(Turn OFF and UNPLUG Band Saw)

5. With the teeth facing you, slide the blade onto both pulleys and into the slots of the upper and lower blade guides. Position the blade on the pulleys such that the back edge of the blade is just touching the rear of the slots in the blade guides. The saw blade teeth should be pointing downward in front of the blade guides. See Figure 6.

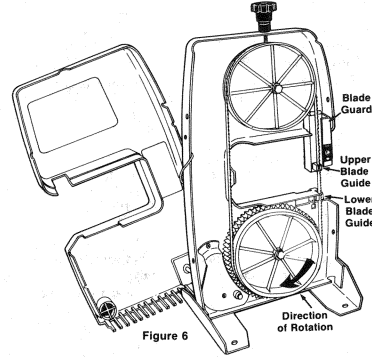


Figure 6

6. With the blade positioned, tighten the Blade Tensioning Knob on the top of the saw. Tighten it so that it rests between the "MIN" and the "MAX" rings, as shown in Figure 7. (Do not overtighten.)

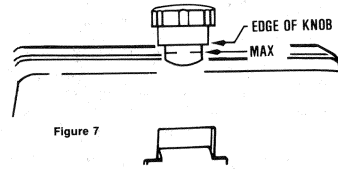


Figure 7

*1/8" accessory blades should be adjusted to run at the "MIN" setting to prolong blade life.

Blade Tracking Adjustment

1. Install the side cover and secure it with the four cover retaining screws.
2. With the switch in the "OFF" position, plug the cord into a standard 120 volt electrical outlet.
3. Turn the saw on by depressing switch button shown in Figure 11. The button will stay in when released. Let the saw run for about 10 seconds. Turn the saw off by depressing and releasing the switch button shown in Figure 11.
4. Unplug the saw and remove the side cover.
5. Examine the position of the blade on the upper saw pulley. If the blade is riding toward the back edge of the pulley, rotate the Tracking Adjustment Knob one full revolution counterclockwise. Conversely, if the blade is riding toward the front edge of the pulley, rotate the knob one full revolution clockwise.
6. Repeat steps 1 through 5 until the blade is tracking in the approximate center of the upper pulley. (It is not necessary to rotate the Tracking Adjustment Knob one full revolution each time.)
7. Adjust the Lower Blade Guide so that the back of the blade slot just touches the back edge of the blade. Tighten the clamping screw. Adjust the Upper Blade Guide the same way.
8. Turn the Tracking Adjustment Knob 1/2 turn clockwise and lock the adjustment in place by tightening the locking nut. This step provides rearward pressure on the blade and keeps it in the blade guides when backing the saw out of a blind cut.

Installing the Saw Table
(Turn OFF and UNPLUG Band Saw)

1. Remove the saw's side cover.
2. Select, from the plastic bag, the carriage bolt, the wing nut and the flat washer.
3. Insert the carriage bolt as shown in Figure 8. Make sure that the square neck of the carriage bolt fits into the square hole in the saw frame.
4. Hold the carriage bolt in place and position the saw table so that the bevel scale is on the side of the saw with the motor and that the carriage bolt fits through the upper curved slot in the bevel scale, as shown in Figure 8.

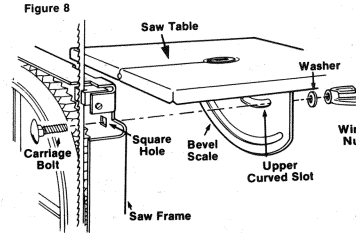


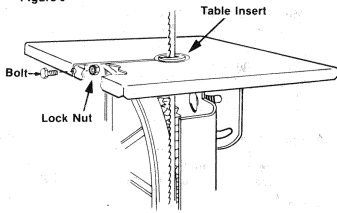
Figure 8

5

Installing the Saw Table - Cont'd (Turn OFF and UNPLUG Band Saw)

- Install the flat washer and the wing nut on the carriage bolt and tighten.
- Now select the two shoulder screws from the plastic bag and insert them into the two holes in the saw frame that align with the lower slot in the bevel scale. NOTE: You may have to loosen the table wing nut and move the table slightly to find these two other holes in the frame.
- Tighten the shoulder screws securely. (These screws act as guides only and will not make the table tight. Only the wing nut and carriage bolt will do that.)
- Install the table insert with the open end toward the slot in the saw table. Make sure you insert it all the way so that its surface is flush with the table top.
- Insert the remaining bolt and lock nut in the end of the table slot, as shown in Figure 9. NOTE: As this nut and bolt are tightened, the table will bend slightly. By working with them a little, you'll be able to sufficiently secure them and have a flat table.
- Re-install the saw's side cover and secure it with the four cover retaining screws. NOTE: Whenever installing the side cover be sure to push it firmly on. Failure to do so will make the switch difficult to operate. If you ever have difficulty in operating this switch, check the side cover alignment.

Figure 9



Bench Mounting - Cont'd. (Turn OFF and UNPLUG Band Saw)

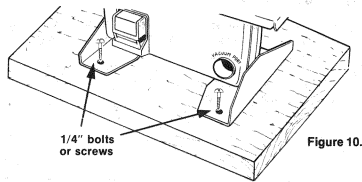


Figure 10.

PRE-OPERATION CHECK LIST (Turn OFF and UNPLUG Band Saw)

Before operating your Band Saw, check the items listed below to be sure the saw is ready to cut.

- Switch OFF.
- Upper blade guard lowered to within 1/8" of material being cut.
- Side cover closed.
- Blade tension and tracking properly adjusted.
- Saw table firmly clamped in position.
- Band Saw firmly mounted to workbench.
- Safety glasses on.

SWITCH

(Remove and discard plastic pin from switch button. This pin is for shipping purposes only)

To turn the tool ON, depress and release the switch button. To turn the tool OFF, depress and release the button again.

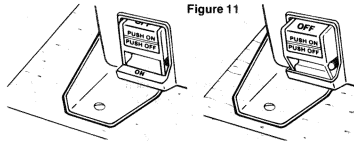


Figure 11

USING YOUR BAND SAW

Now that your Band Saw is fully assembled and ready to go, you'll be anxious to try it out. Unless you are very familiar with band saws and how to use them, the time you spend reading the next few pages will be well spent. Some saw terms are defined and a simple project is included to get you started on the right foot.

Certainly one of a band saw's most valuable assets is its ability to cut curved lines. Scrolling (cutting curved lines) is easily accomplished with your band saw if you follow a few simple rules. (See radius chart on top of motor housing of saw.)

On page 9 of this manual there is a simple project to help you get the "feel" of your saw. The solid and broken lines in Figure 12 indicate the cuts necessary to cut out the whale. Unless you are an experienced and skilled band saw user, we highly recommend that you undertake this simple project. NOTE: Figure 12 is shown out of sequence because it is to be removed from the manual.

TANGENT CUTS: Shown by solid lines.

Tangent cuts are used for cutting outside curves which are too tight for the band saw to make in one, continuous cut.

When cutting out the whale in Figure 12, cut off section number 1 first as shown. The board will now look like the one shown in Figure 13. Cut off sections 2, 3 and 4. These are all tangent cuts.

RELIEF CUTS: Shown by broken lines.

Relief cuts are used when cutting inside curves which are too tight for the band saw to make in one, continuous cut.

The next step in cutting out the whale is to remove section 5. To do so, make the relief cut separating sections 5 and 6, back the workpiece out and then cut the curved surface of the whale.

Then make the relief cut separating sections 6 and 7. Remove sections 6 and 7. The board will now look like the one shown in Figure 14. Continue in this manner until the whole whale is cut out. Finish sand the edges and you are finished.

SAWING TIPS:

- Keep the workpiece moving when cutting curves. Do not attempt to turn unless the workpiece is moving into the cutting edge of the blade.
- When cutting intricate shapes, cut the wood down to a manageable size first.
- Plan your work. Don't get in a position where the workpiece will hit the arm of the saw before the desired cut is completed.
- Back out of cuts carefully without pinching or pulling the blade.
- Whenever possible, make test cuts in scrap wood before cutting your project.
- When making finish cuts, place the finish side up. This will help to avoid splintering.
- If you are cutting a warped board, put the concave side down.
- When cutting very small pieces, push the workpiece with a stick of wood, not your hand.
- Use relief cuts freely, you can't have too many.

USING YOUR BAND SAW

Your Band Saw is capable of making all types of cuts in a wide array of materials. A brief description of cutting methods will familiarize you with the basic types of cuts.

Crosscutting:

Crosscutting is cutting across the grain of the wood. Such a cut is often used to shorten lumber such as 2 x 4's.

Bevel Cutting:

Bevel cutting is either ripping or crosscutting with the saw table tilted at some angle. Tilt the table by loosening the wing nut shown in Figure 8. Set the table to the desired angle using the quadrant. Tighten the wing nut to secure the table.

Scrolling:

Scrolling is the cutting of curved lines.

Metal Cutting:

Non-ferrous metal (without iron content) can be cut with a general purpose blade. Ferrous metal (with iron content) can only be cut using the #74-485 metal cutting

blade. This saw is not recommended for the cutting of steel thicker than .060 inch, or copper or aluminum having a thickness greater than 1/4 inch.

MAINTENANCE

(Turn OFF and UNPLUG Band Saw)

Periodically clean sawdust from inside your saw. Never open the side cover of the saw unless it is turned OFF and UNPLUGGED.

Regularly check the blade guides for wear as follows:

- Push the blade back as far as it will go in the blade guide slot.
- Observe the toothed edge of the blade to see if the gullets are visible when viewed from the side, as shown in Figure 15. (The gullet is the space on a saw blade between the teeth.)
- If the gullet is not visible from the side, as shown in Figure 15, the guide slot is worn too deeply.
- To correct this situation, dress the front face of the blade guide with a bench grinder or file until the blade fits the guide like the one shown in Figure 16.
- Repeat this process as necessary on the other blade guide.

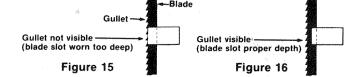
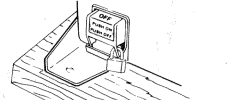


Figure 15

Figure 16

When storing the band saw for a period of one month or more, loosen the Blade Tensioning Adjustment knob to release tension on the saw blade.

Lock your Band Saw safely in the OFF position when it's unattended. Use a padlock with a 1/4" or smaller shank.



ACCESSORIES

The accessories listed in this manual are available at extra cost from your local dealer or Black & Decker Service Center. A complete listing of service centers is included on the owner's registration card packed with your tool.

If you need assistance in locating any accessory, please contact: Black & Decker (U.S.) Inc., Consumer Service Department, 626 Hanover Pike, P.O. Box 618, Hampstead, MD 21074-0618.

CAUTION: The use of any other accessories or attachments might be hazardous.

BAND SAW BLADES

CAT. NO.	WIDTH	THICKNESS	TEETH PER IN.	USE
74-482	1/8"	.018"	14	wood & plastic
74-483	1/4"	.014"	6	wood
74-484	1/4"	0.14"	14	wood, metal & plastic
74-485	1/4"	.014"	32	metal

CAUTION: FAILURE TO PERMANENTLY MOUNT OR "C" CLAMP THE BAND SAW TO THE WORK SURFACE CAN BE HAZARDOUS.