



# **Instruction Manual**

**6124 • 6127 • 6129 • 6138**

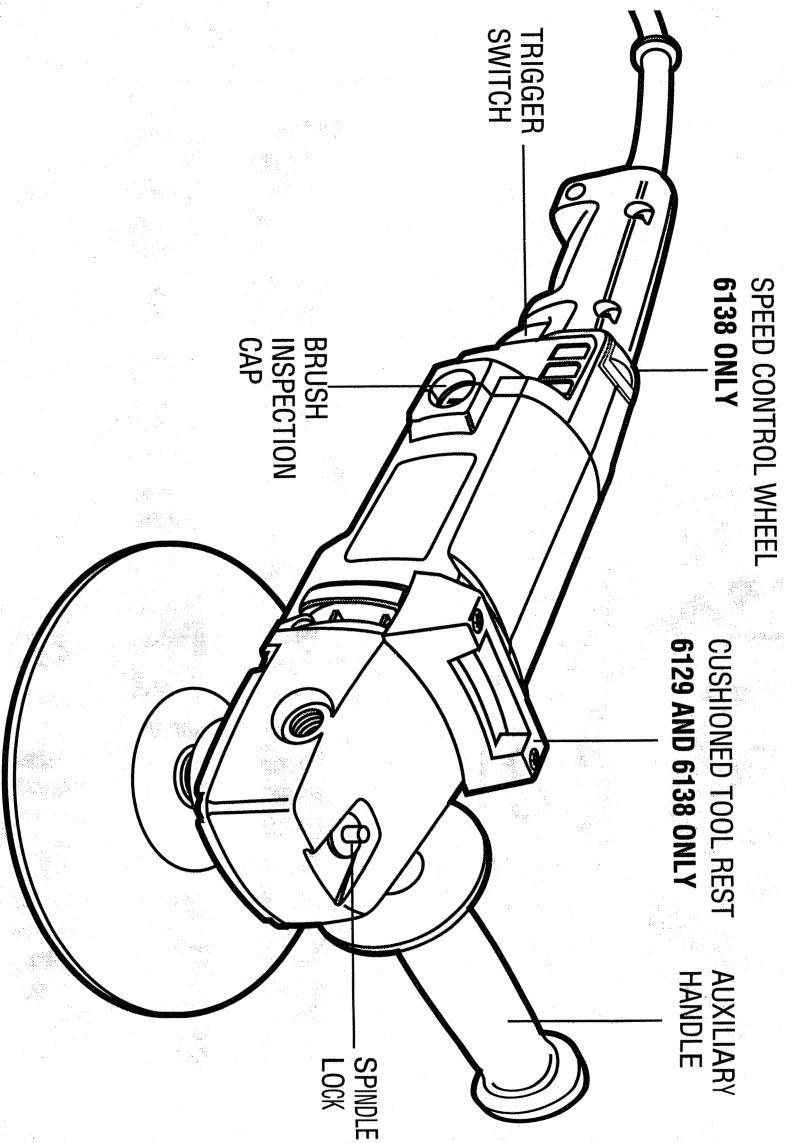
## **Polishers**

## Getting the most out of your tool.

Please take time to read this manual and pay particular attention to the safety rules we've provided for your protection. Don't forget to send in your owner's registration card. If you have any questions about your tool please call:

**1-800-9-BD TOOL**  
**(1-800-923-8665)**

<b>6124</b>	7"/9" Polisher
<b>6127</b>	7"/9" Polisher
<b>6129</b>	7"/9" Variable Speed Polisher
<b>6138</b>	7"/9" Buffmaster™ Variable Speed Polisher with Electronic Speed Control



# FOR YOUR SAFETY - ALL TOOLS

## Important Safety Instructions

**WARNING:** When using electric tools, basic safety precautions should always be followed to reduce risk of fire, electric shock, and personal injury, including the following:

### READ ALL INSTRUCTIONS

## Double Insulation

Double insulated tools are constructed throughout with two separate layers of electrical insulation or one double thickness of insulation between you and the tool's electrical system. Tools built with this insulation system are not intended to be grounded. As a result, your tool is equipped with a two prong plug which permits you to use extension cords without concern for maintaining a ground connection.

**NOTE:** Double insulation does not take the place of normal safety precautions when operating this tool. The insulation system is for added protection against injury resulting from a possible electrical insulation failure within the tool.

**CAUTION:** WHEN SERVICING USE ONLY IDENTICAL REPLACEMENT PARTS. Repair or replace damaged cords.

## Polarized Plugs

Polarized plugs (one blade is wider than the other) are used on equipment to reduce the risk of electric shock. When provided, this plug will fit into a polarized outlet only one way. If the plug does not fit fully into the outlet, reverse the plug. If it still does not fit, contact a qualified electrician to install the proper outlet. Do not change the plug in any way.

## Safety Instructions For All Tools

- **KEEP WORK AREA CLEAN.** Cluttered areas and benches invite injuries.
- **CONSIDER WORK AREA ENVIRONMENT.** Don't expose power tools to rain. Don't use power tools in damp or wet locations. Keep work area well lit. Do not use tool in presence of flammable liquids or gases.
- **GUARD AGAINST ELECTRIC SHOCK.** Prevent body contact with grounded surfaces. For example; pipes, radiators, ranges, and refrigerator enclosures.
- **KEEP CHILDREN AWAY.** Do not let visitors contact tool or extension cord. All visitors should be kept away from work area.
- **STORE IDLE TOOLS.** When not in use, tools should be stored in dry, and high or locked-up place — out of reach of children.
- **DON'T FORCE TOOL.** It will do the job better and safer at the rate for which it was intended.
- **USE RIGHT TOOL.** Don't force small tool or attachment to do the job of a heavy-duty tool. Don't use tool for purpose not intended.
- **DRESS PROPERLY.** Do not wear loose clothing or jewelry. They can be caught in moving parts. Rubber gloves and non-skid footwear are recommended when working outdoors. Wear protective hair covering to contain long hair.
- **USE SAFETY GLASSES.** Also use face or dust mask if operation is dusty.
- **DON'T ABUSE CORD.** Never carry tool by cord or yank it to disconnect from receptacle. Keep cord from heat, oil, and sharp edges.
- **SECURE WORK.** Use clamps or a vise to hold work. It's safer than using your hand and it frees both hands to operate tool.
- **DON'T OVERREACH.** Keep proper footing and balance at all times.
- **MAINTAIN TOOLS WITH CARE.** Keep tools sharp and clean for better and safer performance. Follow instructions for lubricating and changing accessories. Inspect tool cords periodically and if damaged, have repaired by authorized service facility. Inspect extension cords periodically and replace if damaged. Keep handles dry, clean, and free from oil and grease.
- **DISCONNECT OR LOCK OFF TOOLS** when not in use, before servicing, and when changing accessories, such as blades, bits, cutters.
- **REMOVE ADJUSTING KEYS AND WRENCHES.** Form habit of checking to see that keys and adjusting wrenches are removed from tool before turning it on.
- **AVOID UNINTENTIONAL STARTING.** Don't carry tool with finger on switch. Be

- sure switch is off when plugging in.
- EXTENSION CORDS.** Make sure your extension cord is in good condition. When using an extension cord, be sure to use one heavy enough to carry the current your product will draw. An undersized cord will cause a drop in line voltage resulting in loss of power and overheating. The following table shows the correct size to use depending on cord length and nameplate ampere rating. If in doubt, use the next heavier gage. The smaller the gage number, the heavier the cord.

Minimum Gage for Cord Sets			
Volts	Total Length of Cord in Feet	AWG	
120V	0-25	26-50	51-100
240V	0-50	51-100	101-200
			201-300
Amperage Rating		AWG	
More Than	Not more Than		
0	6	16	16
6	10	16	14
10	12	16	14
12	16	14	Not Recommended

- OUTDOOR USE EXTENSION CORDS.** When tool is used outdoors, use only extension cords intended for use outdoors and so marked.
- STAY ALERT.** Watch what you are doing. Use common sense. Do not operate tool when you are tired.
- CHECK DAMAGED PARTS.** Before further use of the tool, a guard or other part that is damaged should be carefully checked to determine that it will operate properly and perform its intended function. Check for alignment of moving parts, binding of moving parts, breakage of parts, mounting, and any other conditions that may affect its operation. A guard or other part that is damaged should be properly repaired or replaced by an authorized service center unless otherwise indicated elsewhere in this instruction manual. Have defective switches replaced by authorized service center. Do not use tool if switch does not turn it on and off.

## Additional Safety Instructions for Sanders

- ALWAYS WEAR EYE PROTECTION.**
- Clean your tool out periodically.

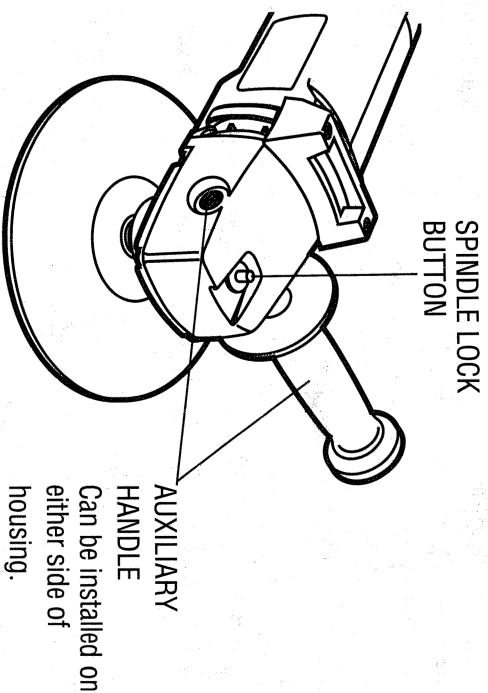
- CAUTION:** Some wood contains preservatives such as copper chromium arsenate (CCA) which can be toxic. When sanding these materials extra care should be taken to avoid inhalation and minimize skin contact.

## SAVE THESE INSTRUCTIONS

### Auxiliary Handle

An auxiliary handle is furnished with your tool and can be installed on either side of the front housing. This handle should be used at all times to maintain complete control of the tool

Figure 1



# TOOL OPERATION

## Single Speed Switch (6124 and 6127 ONLY)

These tools are equipped with a single speed on-off switch. To turn the tool on, squeeze the trigger switch shown in Figure 2. To turn the tool off, release the trigger switch.

The tool can be locked on for continuous use by squeezing the trigger switch fully and depressing the lock button shown in Figure 2. Hold the lock button in as you gently release the trigger switch. The tool will continue to run. To turn the tool off from a locked on position, squeeze and release the trigger switch once. Do not unplug the tool with the switch in the locked on condition. Make sure the tool is not locked on when plugging in. A locked on tool will start immediately when plugged in.

## Variable Speed Switch (6129 and 6138 ONLY)

These tools are equipped with a variable speed switch that permits speed control from (zero to 1750 RPM - 6129) (zero to 1000/3000 RPM - 6138). To turn the tool on, squeeze the trigger switch shown in Figure 2 until the tool starts to run. The farther you depress the trigger, the faster it will operate. Releasing the trigger turns the tool off.

Use lower speeds for applying liquid waxes and polishes and higher speeds for removing dried liquid. Use the highest speed (fully depress trigger) for buffing the car to a final lustre.

The tool can be locked on for continuous use by squeezing the trigger switch fully and depressing the lock button shown in Figure 2. Hold the lock button in as you gently release the trigger switch. The tool will continue to run. To turn the tool off from a locked on position, squeeze and release the trigger switch once. Do not unplug the tool with the switch in the locked on condition. Make

sure the tool is not locked on when plugging in. A locked on tool will start immediately when plugged in.

**NOTE:** The trigger can only be locked on with the tool running at the maximum RPM.

## Speed Control Wheel (6138 ONLY)

The maximum speed of your tool can be changed by rotating the speed control wheel to the desired setting. The wheel incorporates detents to prevent inadvertent wheel movement and to facilitate speed selection. For added versatility the switch may be locked in its full on position and tool speed changed by means of the speed control wheel alone (see Figure 3).

Figure 2

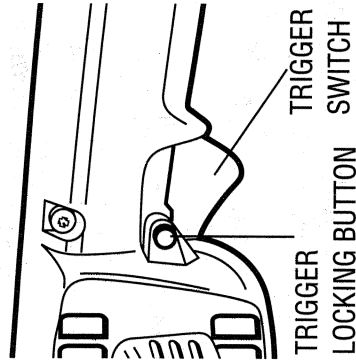
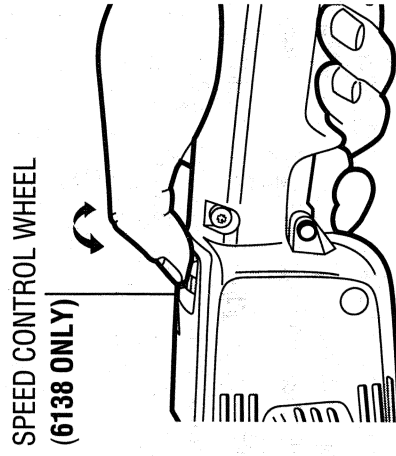


Figure 3



## Speed Control Wheel Cont'd (6138 ONLY)

The electronic speed control not only lets you select the speed to suit the job, but also helps to maintain that speed as you load the tool by pressing down. It's this feature, coupled with the variable speed switch, that make this tool such a value.

The speed control wheel can be set for any speed between 1000 and 3000 RPM and the variable speed switch will then control tool speed from zero to the wheel setting. For example: A control wheel setting of 2200 RPM will allow the variable speed switch to operate the tool between zero and 2200 RPM, depending on how far the trigger is depressed. A wheel setting of 1000 RPM would allow the switch to operate the tool from zero RPM to 1000 RPM.

The electronic speed control feature comes into play whenever the trigger switch is fully depressed and the tool is running at the selected speed determined by the setting of the control wheel. As you load the tool by pushing it down on the work surface, (with the trigger fully depressed) the electronic circuit inside the tool will compensate for the loading and maintain the selected speed. If the speed selected by the control wheel is 2200 RPM, as in the example above, the tool will maintain 2200 RPM, as it is loaded.

It is important to remember two things about electronic speed control:

1. The electronic speed control operates only when the trigger switch is fully depressed.
2. The effect of electronic speed control is much easier to observe at lower speed settings (2600 RPM and below), than at high speeds. As the tool approaches 3000 RPM, the effect is considerably less dramatic.

Keep in mind that, with a conventional polisher running at a typical no load speed of 2400 RPM, the tool slows down to about 2000 RPM under a polishing load. Your 6138 will continue to run at 2400 RPM (or any speed you select

with the control wheel) as a load is applied. Since it doesn't slow down, the speed may be greater than you're used to so some extra caution should be observed until you get the "feel" of your polisher. If you feel the speed is too great, you can, of course slow the tool down with either the trigger switch or the control wheel.

## Spindle Lock Button

TURN OFF TOOL AND DISCONNECT FROM POWER SUPPLY.

(See Figure 1) In order to prevent the spindle of the tool from rotating while installing or removing accessories, a spindle lock button has been provided in the gear head of the machine. To lock the spindle, depress and hold the lock button. NEVER DEPRESS THE SPINDLE LOCK BUTTON WITH THE TOOL RUNNING OR COASTING.

## Attaching and Removing Polishing Pads (Figures 4 & 5)

TURN OFF TOOL AND DISCONNECT FROM POWER SUPPLY.

To attach pad, push the hub of the clamp washer through the hole in the center of the polishing pad as far as it will go. Engage the hexagonal hole in the backing pad. Holding the three pieces firmly together, place the assembly on the tool spindle. Hold the spindle lock button while turning the pads clockwise to thread them completely on the spindle.

To remove the pads, turn them by hand in the opposite direction from normal rotation to allow lock button to engage spindle, then unscrew pads in normal direction for right hand thread.

**NOTE:** If you are using a polishing bonnet, rather than a pad, put clamp washer on first, pull bonnet completely over backing pad and pull draw strings tight. Tie bow knot and push knot and all loose string completely under the inside, cloth edge of the polishing bonnet.

**WARNING: TIED KNOT AND ALL STRINGS MUST BE TUCKED ENTIRELY UNDER THE CLOTH APRON. FAILURE TO DO SO MAY CAUSE SERIOUS INJURY.**

## Polishing

These instructions and suggestions are intended to familiarize new operators in overall general operation of power polishing. You will develop your own techniques which will make the job easier and faster as you learn power polishing.

You should use utmost care when power polishing around or over sharp objects and contours of the car body. It is very important to use the correct pressure while polishing various sections of an automobile body. For example, light pressure should be applied when polishing over sharp edges of body panels, or over edges of the rain gutter along the top.

Since everyone does not use the same type of power polish, we recommend you clean and polish a test section on a flat area of the car first. From this test section, you can judge the strength or cleaning action of your power polish.

Remember, all power polish is not the same. Different brands will react differently on various painted surfaces. Also, you are now using a power polisher with power polish. This is entirely different from any hand application which you may have done before. Wash the car before power polishing it. Washing will remove loose dirt, scum, road salt, etc. which could act as an abrasive and damage paint. Loose dirt, etc. will also clog the polishing pad and you will have to clean it more often.

Without turning the tool on, grasp the handles of the tool and pick it up. Keep the tool away from your body and turn the switch on. Make sure you have a firm grip on the handles and operate the tool freely without forced effort or unnecessary pressure. The side handle can be easily changed to either side of

Figure 4

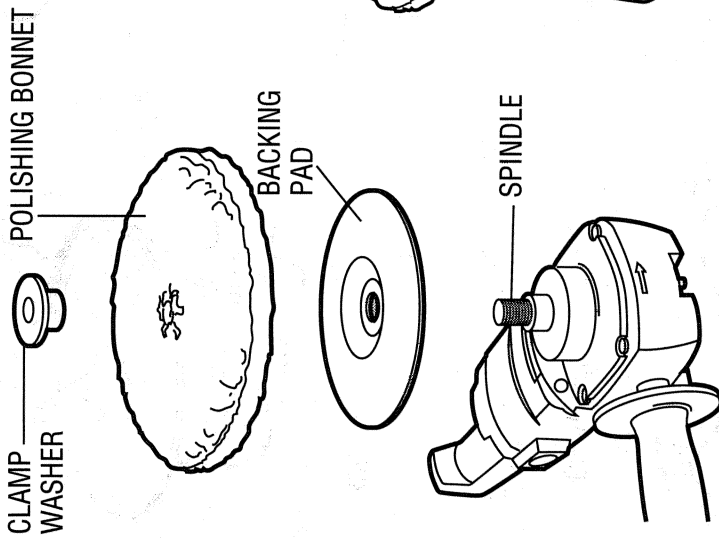
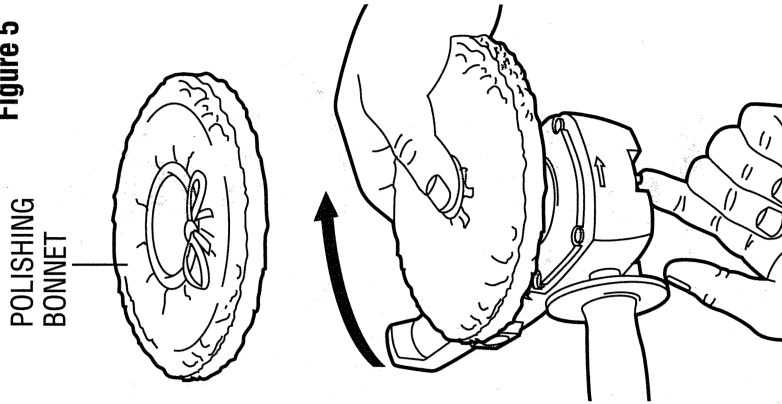


Figure 5



the tool for left-handed or right-handed operation.

**NOTE:** The high speed rubbing action of the polishing bonnet upon the surface of an automobile can build a static charge on the metal portions of this tool. This can result in a sensation of a very short mild electric shock when the metal area of the tool is touched, and will be more noticeable on days when the humidity is low. This is a harmless phenomenon but you are invited to bring the tool to a B&D service center where it can be checked to assure that no electrical malfunction is present.

### Sanding Application (6138 ONLY)

#### ATTACHING AND REMOVING ABRASIVE DISCS (Figures 6, 7, and 8)

TURN OFF TOOL AND DISCONNECT FROM POWER SUPPLY.

*To attach the sanding disc*, push the hub of the clamp washer through the center of the sanding and phenolic discs, as far as it will go, and also through the backing pad. Engage the clamp washer threads on the tool spindle and thread assembly clockwise, completely down on the spindle. Hold the spindle from rotating by engaging the spindle lock button.

*To remove the abrasive disc*, use a cloth or glove to protect your hand. Turn the disc assembly counterclockwise (Figure 8). Hold the spindle from rotating by engaging the spindle lock button.

Figure 6

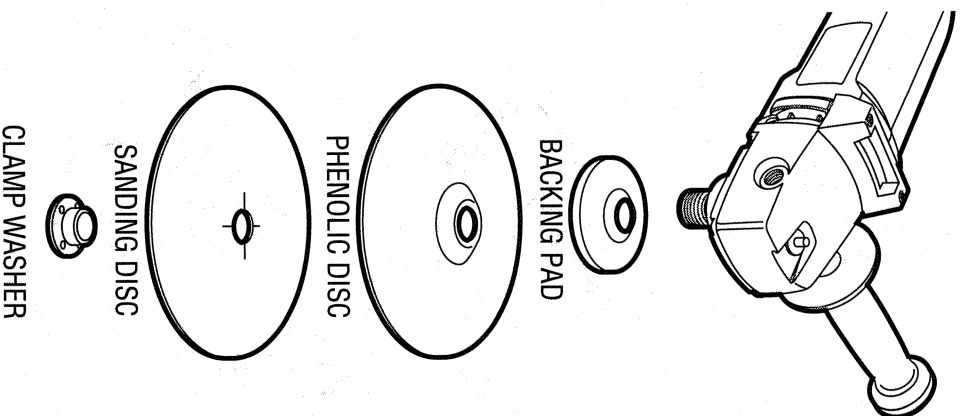


Figure 7

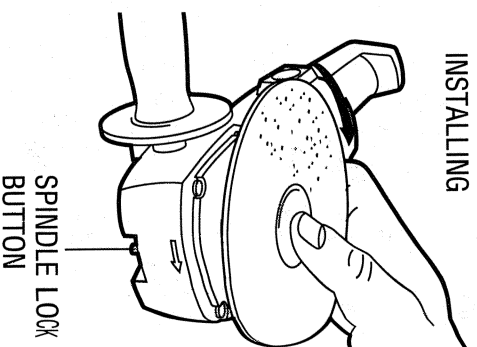
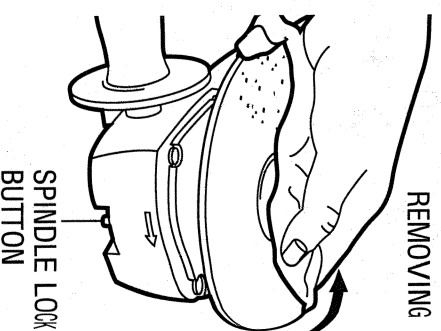


Figure 8

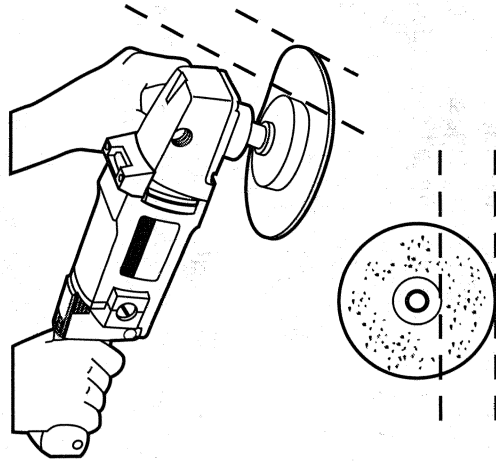




## Sanding (6138 ONLY)

(See Figure 9) When using an abrasive disc, hold the tool so that an angle of 10° to 15° exists between the disc and the work. If only the outer edge of the sanding disc is used, a rough cut will result. If the sanding disc is pressed flat against the work, the sanding action will be irregular and bumpy, and the tool will be difficult to control.

Figure 9



## Cleaning

Blowing dust, polishing bonnet lint, and grit out of the motor housing using compressed air is a necessary regular maintenance procedure. Dust and grit containing metal particles often accumulate on interior surfaces and could create an electrical shock hazard if not frequently cleaned out.

**CAUTION:** Never use solvents or other harsh chemicals for cleaning the non-metallic parts of the tool. Use clean, dry rag only.

## Lubrication

B&D tools are properly lubricated at the factory and are ready for use. Tools should be relubricated regularly every sixty days to six months, depending on usage. (Tools used constantly on production or heavy-duty jobs and tools exposed to heat may require more frequent lubrication.) This lubrication should only be attempted by trained power tool repairpersons such as those at B&D service centers or other authorized service locations.

## Motor Brushes

Be sure tool is unplugged before inspecting brushes. Carbon brushes should be regularly inspected for wear. To inspect brushes, unscrew the plastic brush inspection caps (located in the sides of the motor housing) and the spring and brush assemblies may be withdrawn from the tool. Keep brushes clean and sliding freely in their guides. Carbon brushes have varying symbols stamped into them, and if the brush is worn down to the line closest to the spring, they must be replaced. New brush assemblies are available at service centers; see Tool, Electric in the yellow pages. Your tool is equipped with the B&D brush CHECKPOINT™ system. When the brushes become worn out, the tool will automatically stop and prevent damage to the motor.

## ACCESSORIES

Recommended accessories for use with your tool are available at extra cost from your distributor or your local service center. A complete listing of service centers is included with your tool.

Use only accessories having a maximum operating speed at least as high as the highest "NO LOAD RPM" marked on the tool's nameplate. This precaution applies to any accessory on any tool.

**CAUTION:** The use of any non-recommended accessory may be hazardous. If you need any assistance in locating any accessory, call 1-800-9-BD TOOL (1-800-923-8665) or contact Black & Decker, Consumer Services Department, P.O. Box 618, 626 Hanover Pike, Hampstead, MD 21074.

**Rubber Backing Pads:** C51824 7" Quick Change Super Flexible Rubber Backing Pad (Includes #50933 Clamp Washer)

**Polishing Bonnets and Pads:** B&D has an array of polishing bonnets and pads for 7" and 9" polishers. See your local B&D service center.

### Important!

To assure product safety and reliability, repairs, maintenance, and adjustments should be performed by B&D service centers or other qualified service organizations, always using B&D replacement parts.

Every B&D tool is of the highest quality.

If you wish to contact us regarding this product, please call toll free between 8:00am and 8:00pm ET, seven days a week.

**1-800-9-BD TOOL**

**(1-800-923-8665)**

### One Year Free Maintenance

All B&D tools for Industry and Construction are covered under a service/safety check program where B&D will inspect your tool for safety and provide necessary maintenance or repairs, including normal wear and tear parts, for one year, FREE OF CHARGE.

### Full Warranty

All B&D tools for Industry and Construction are warranted to be free of any defects in materials or workmanship. Upon thorough examination of tool, B&D will repair or replace, at our option, any product that is determined to be defective.

### Conditions

The service/safety check and the warranty do not apply to: repairs made or attempted by anyone other than an authorized B&D service location; misuse, abuse, neglect, improper application of the tool; missing parts; or normal wear and tear (after first year of ownership). Please return the complete unit, transportation prepaid, to any B&D factory owned or B&D authorized service center location (list provided with tool or see yellow pages under "Tools Electric").

These symbols on the nameplate mean the product is listed by Underwriters Laboratories, Inc. and certified by the Canadian Standards Association.





**Black & Decker (U.S.) Inc. • 701 East Joppa Road, Towson, Maryland 21286**

**Printed in U.S.A. (APR95-CD-2) Form No. 159229-01 Copyright © 1994, 1995**

---