



BLACK & DECKER®

BD200SD 10 in (254MM) TABLE SAW

INSTRUCTION MANUAL



THANK YOU FOR CHOOSING BLACK & DECKER!
GO TO WWW.BLACKANDDECKER.COM/NEWOWNER
TO REGISTER YOUR NEW PRODUCT.

BEFORE RETURNING THIS PRODUCT FOR ANY REASON PLEASE CALL 1-800-544-6986

BEFORE YOU CALL, HAVE THE FOLLOWING INFORMATION AVAILABLE, CATALOG NO., TYPE NO., AND DATE CODE. IN MOST CASES, A BLACK & DECKER REPRESENTATIVE CAN RESOLVE THE PROBLEM OVER THE PHONE. IF YOU HAVE A SUGGESTION OR COMMENT, GIVE US A CALL. YOUR FEEDBACK IS VITAL TO BLACK & DECKER.

SAVE THIS MANUAL FOR FUTURE REFERENCE.
VEA EL ESPAÑOL EN LA CONTRAPORTADA.
POUR LE FRANÇAIS, VOIR LA COUVERTURE ARRIÈRE.
INSTRUCTIVO DE OPERACIÓN, CENTROS DE SERVICIO Y
PÓLIZA DE GARANTÍA. **ADVERTENCIA:** LEASE ESTE
INSTRUCTIVO ANTES DE USAR EL PRODUCTO.

TABLE OF CONTENTS

IMPORTANT SAFETY INSTRUCTIONS2
SAFETY GUIDELINES3
GENERAL SAFETY RULES4
ADDITIONAL SPECIFIC SAFETY RULES5
FUNCTIONAL DESCRIPTION7
CARTON CONTENTS7
ASSEMBLY9
OPERATION15
TROUBLESHOOTING25
MAINTENANCE25
SERVICE26
ACCESSORIES26
WARRANTY26
SPANISH27
FRENCH43
SERVICE CENTER LOCATIONSback cover

SAFETY GUIDELINES - DEFINITIONS

It is important for you to read and understand this manual. The information it contains relates to protecting YOUR SAFETY and PREVENTING PROBLEMS. The symbols below are used to help you recognize this information.



- ▲ DANGER** Indicates an imminently hazardous situation which, if not avoided, will result in death or serious injury.
- ▲ WARNING** Indicates a potentially hazardous situation which, if not avoided, could result in death or serious injury.
- ▲ CAUTION** Indicates a potentially hazardous situation which, if not avoided, may result in minor or moderate injury.
- CAUTION** Used without the safety alert symbol indicates potentially hazardous situation which, if not avoided, may result in property damage.

CALIFORNIA PROPOSITION 65

▲ WARNING Some dust created by power sanding, sawing, grinding, drilling, and other construction activities contains chemicals known to cause cancer, birth defects or other reproductive harm. Some

examples of these chemicals are:

- lead from lead-based paints,
- crystalline silica from bricks and cement and other masonry products, and
- arsenic and chromium from chemically-treated lumber (CCA).

Your risk from these exposures varies, depending on how often you do this type of work. To reduce your exposure to these chemicals: work in a well ventilated area, and work with approved safety equipment, such as those dust masks that are specially designed to filter out microscopic particles.

- Avoid prolonged contact with dust from power sanding, sawing, grinding, drilling, and other construction activities. Wear protective clothing and wash exposed areas with soap and water. Allowing dust to get into your mouth, eyes, or lay on the skin may promote absorption of harmful chemicals.

Use of this tool can generate and/or disperse dust, which may cause serious and permanent respiratory or other injury. Always use NIOSH/OSHA approved respiratory protection appropriate for the dust exposure. Direct particles away from face and body.

Wear appropriate hearing protection during use. Under some conditions and duration of use, noise from this product may contribute to hearing loss.

SAVE THESE INSTRUCTIONS!

GENERAL SAFETY RULES



⚠️ WARNING

READ AND UNDERSTAND ALL WARNINGS AND OPERATING INSTRUCTIONS BEFORE USING THIS EQUIPMENT. Failure to follow all instructions listed below, may result in electric shock, fire, and/or serious personal injury or property damage.

IMPORTANT SAFETY INSTRUCTIONS

- FOR YOUR OWN SAFETY, READ THE INSTRUCTION MANUAL BEFORE OPERATING THE MACHINE.** Learning the machine's application, limitations, and specific hazards will greatly minimize the possibility of accidents and injury.
- WEAR EYE AND HEARING PROTECTION. ALWAYS USE SAFETY GLASSES.** Everyday eyeglasses are NOT safety glasses. USE CERTIFIED SAFETY EQUIPMENT. Eye protection equipment should comply with ANSI Z87.1 standards. Hearing equipment should comply with ANSI S3.19 standards.
- WEAR PROPER APPAREL.** Do not wear loose clothing, gloves, neckties, rings, bracelets, or other jewelry which may get caught in moving parts. Nonslip footwear is recommended. Wear protective hair covering to contain long hair.
- DO NOT USE THE MACHINE IN A DANGEROUS ENVIRONMENT.** The use of power tools in damp or wet locations or in rain can cause shock or electrocution. Keep your work area well-lit to prevent tripping or placing arms, hands, and fingers in danger.
- MAINTAIN ALL TOOLS AND MACHINES IN PEAK CONDITION.** Keep tools sharp and clean for best and safest performance. Follow instructions for lubricating and changing accessories. Poorly maintained tools and machines can further damage the tool or machine and/or cause injury.
- CHECK FOR DAMAGED PARTS.** Before using the machine, check for any damaged parts. Check for alignment of moving parts, binding of moving parts, breakage of parts, and any other conditions that may affect its operation. A guard or any other part that is damaged **should be properly repaired or replaced.** Damaged parts can cause further damage to the machine and/or injury.
- KEEP THE WORK AREA CLEAN.** Cluttered areas and benches invite accidents.
- KEEP CHILDREN AND VISITORS AWAY.** Your shop is a potentially dangerous environment. Children and visitors can be injured.
- REDUCE THE RISK OF UNINTENTIONAL STARTING.** Make sure that the switch is in the "OFF" position before plugging in the power cord. In the event of a power failure, move the switch to the "OFF" position. An accidental start-up can cause injury.
- USE THE GUARDS.** Check to see that all guards are in place, secured, and working correctly to reduce the risk of injury.
- REMOVE ADJUSTING KEYS AND WRENCHES BEFORE STARTING THE MACHINE.** Tools, scrap pieces, and other debris can be thrown at high speed, causing injury.
- USE THE RIGHT MACHINE.** Don't force a machine or an attachment to do a job for which it was not designed. Damage to the machine and/or injury may result.
- USE RECOMMENDED ACCESSORIES.** The use of accessories and attachments not recommended may cause damage to the machine or injury to the user.
- USE THE PROPER EXTENSION CORD.** Make sure your extension cord is in good condition. When using an extension cord, be sure to use one heavy enough to carry the current your product will draw. An undersized cord will cause a drop in line voltage, resulting in loss of power and overheating. See the Extension Cord Chart for the correct size depending on the cord length and nameplate ampere rating. If in doubt, use the next heavier gauge. The smaller the gauge number, the heavier the cord.
- SECURE THE WORKPIECE.** Use clamps or a vise to hold the workpiece when practical. Loss of control of a workpiece can cause injury.
- FEED THE WORKPIECE AGAINST THE DIRECTION OF THE ROTATION OF THE BLADE, CUTTER, OR ABRASIVE SURFACE.** Feeding it from the other direction will cause the workpiece to be thrown out at high speed.
- DON'T FORCE THE WORKPIECE ON THE MACHINE.** Damage to the machine and/or injury may result.
- DON'T OVERREACH.** Loss of balance can make you fall into a working machine, causing injury.
- NEVER STAND ON THE MACHINE.** Injury could occur if the tool tips, or if you accidentally contact the cutting tool.
- NEVER LEAVE THE MACHINE RUNNING UNATTENDED. TURN THE POWER OFF.** Don't leave the machine until it comes to a complete stop. A child or visitor could be injured.
- TURN THE MACHINE "OFF", AND DISCONNECT THE MACHINE FROM THE POWER SOURCE** before installing or removing accessories, before adjusting or changing set-ups, or when making repairs. An accidental start-up can cause injury.
- MAKE YOUR WORKSHOP CHILDPROOF WITH PADLOCKS, MASTER SWITCHES, OR BY REMOVING STARTER KEYS.** The accidental start-up of a machine by a child or visitor could cause injury.
- STAY ALERT, WATCH WHAT YOU ARE DOING, AND USE COMMON SENSE. DO NOT USE THE MACHINE WHEN YOU ARE TIRED OR UNDER THE INFLUENCE OF DRUGS, ALCOHOL, OR MEDICATION.** A moment of inattention while operating power tools may result in injury.
- ⚠️ WARNING USE OF THIS TOOL CAN GENERATE AND DISBURSE DUST OR OTHER AIRBORNE PARTICLES, INCLUDING WOOD DUST, CRYSTALLINE SILICA DUST AND ASBESTOS DUST.** Direct particles away from face and body. Always operate tool in well ventilated area and provide for proper dust removal. Use dust collection system wherever possible. Exposure to the dust may cause serious and permanent respiratory or other injury, including silicosis (a serious lung disease), cancer, and death. Avoid breathing the dust, and avoid prolonged contact with dust. Allowing dust to get into your mouth or eyes, or lay on your skin may promote absorption of harmful material. Always use properly fitting NIOSH/OSHA approved respiratory protection appropriate for the dust exposure, and wash exposed areas with soap and water.

ADDITIONAL SPECIFIC SAFETY RULES

▲ WARNING

READ AND UNDERSTAND ALL INSTRUCTIONS. FAILURE TO FOLLOW THESE INSTRUCTIONS MAY RESULT IN ELECTRICAL SHOCK, FIRE AND / OR SERIOUS INJURY.

- DO NOT OPERATE THIS MACHINE** until it is **assembled** and **installed** according to the instructions.
- OBTAIN ADVICE FROM YOUR SUPERVISOR, instructor, or another qualified person** if you are not familiar with the operation of this machine.
- FOLLOW ALL WIRING CODES** and recommended electrical connections.
- USE THE GUARDS WHENEVER POSSIBLE.** Check to see that they are in place, secured, and working correctly.
- KICKBACK IS THE NATURAL TENDENCY OF THE WORKPIECE TO BE THROWN BACK AT THE OPERATOR** when the workpiece initially contacts the blade or if the workpiece pinches the blade. Kickback is dangerous and can result in serious injury.
AVOID KICKBACK by:
 - keeping blade sharp and free of rust and pitch.
 - keeping rip fence parallel to the saw blade.
 - using saw blade guard and spreader for every possible operation, including all through sawing.
 - pushing the workpiece past the saw blade prior to release.
 - never ripping a workpiece that is twisted or warped, or does not have a straight edge to guide along the fence.
 - using featherboards when the anti-kickback device cannot be used.
 - never sawing a large workpiece that cannot be controlled.
 - never using the fence as a guide when crosscutting.
 - never sawing a workpiece with loose knots or other flaws.
- ALWAYS USE GUARDS, SPLITTER, AND ANTI-KICKBACK FINGERS** whenever possible.
- REMOVE CUT-OFF PIECES AND SCRAPS** from the table before starting the saw. The vibration of the machine may cause them to move into the saw blade and be thrown out. After cutting, turn the machine off. After the blade has **come to a complete stop, remove all debris.**
- NEVER START THE MACHINE** with the workpiece against the blade.
- NEVER** run the workpiece between the fence and a moulding cutterhead.
- CUTTING THE WORKPIECE WITHOUT THE USE OF A FENCE OR MITER GAUGE IS KNOWN AS “FREEHAND” CUTTING. NEVER** perform “free-hand” operations. Use either the fence or miter gauge to position and guide the workpiece.
- HOLD THE WORKPIECE FIRMLY** against the miter gauge or fence.
- CUTTING COMPLETELY THROUGH THE WORKPIECE IS KNOWN AS “THROUGH-SAWING”.** Ripping and cross-cutting are through-sawing operations. Cutting with the grain (or down the length of the workpiece) is ripping. Cutting across the grain (or across the workpiece) is cross-cutting. Use a fence or fence system for ripping. **DO NOT** use a fence or fence system for cross-cutting. Instead, use a miter gauge. **USE PUSH STICK(S)** for ripping a narrow workpiece.
- AVOID AWKWARD OPERATIONS AND HAND POSITIONS** where a sudden slip could cause a hand to move into the blade.
- KEEP ARMS, HANDS, AND FINGERS** away from the blade.
- NEVER** have any part of your body in line with the path of the saw blade.
- NEVER REACH AROUND** or over the saw blade.
- NEVER** attempt to free a stalled saw blade without first turning the machine “OFF”.
- PROPERLY SUPPORT LONG OR WIDE** workpieces.
- NEVER PERFORM LAYOUT,** assembly or set-up work on the table/work area when the machine is running.
- TURN THE MACHINE “OFF” AND DISCONNECT THE MACHINE** from the power source before installing or removing accessories, before adjusting or changing set-ups, or when making repairs.
- TURN THE MACHINE “OFF”,** disconnect the machine from the power source, and clean the table/work area before leaving the machine. **LOCK THE SWITCH IN THE “OFF” POSITION** to prevent unauthorized use.
- ADDITIONAL INFORMATION** regarding the safe and proper operation of power tools (i.e. a safety video) is available from the Power Tool Institute, 1300 Sumner Avenue, Cleveland, OH 44115-2851 (www.powertoolinstitute.com). Information is also available from the National Safety Council, 1121 Spring Lake Drive, Itasca, IL 60143-3201. Please refer to the American National Standards Institute ANSI 01.1 Safety Requirements for Woodworking Machines and the U.S. Department of Labor OSHA 1910.213 Regulations.

**SAVE THESE INSTRUCTIONS.
Refer to them often
and use them to instruct others.**

POWER CONNECTIONS

A separate electrical circuit should be used for your machines. This circuit should not be less than #12 wire and should be protected with a 20 Amp time lag fuse. If an extension cord is used, use only 3-wire extension cords which have 3-prong grounding type plugs and matching receptacle which will accept the machine's plug. Before connecting the machine to the power line, make sure the switch (s) is in the "OFF" position and be sure that the electric current is of the same characteristics as indicated on the machine. All line connections should make good contact. Running on low voltage will damage the machine.

⚠ WARNING SHOCK HAZARD. DO NOT EXPOSE THE MACHINE TO RAIN OR OPERATE THE MACHINE IN DAMP LOCATIONS.

GROUNDING INSTRUCTIONS

⚠ WARNING SHOCK HAZARD. THIS MACHINE MUST BE GROUNDED WHILE IN USE TO PROTECT THE OPERATOR FROM ELECTRIC SHOCK.

Your machine is wired for 120 Volt, 60 HZ alternating current. Before connecting the machine to the power source, make sure the switch is in the "OFF" position.

1. All grounded, cord-connected machines:

In the event of a malfunction or breakdown, grounding provides a path of least resistance for electric current to reduce the risk of electric shock. This machine is equipped with an electric cord having an equipment-grounding conductor and a grounding plug. The plug must be plugged into a matching outlet that is properly installed and grounded in accordance with all local codes and ordinances.

Do not modify the plug provided - if it will not fit the outlet, have the proper outlet installed by a qualified electrician.

Improper connection of the equipment-grounding conductor can result in risk of electric shock. The conductor with insulation having an outer surface that is green with or without yellow stripes is the equipment-grounding conductor. If repair or replacement of the electric cord or plug is necessary, do not connect the equipment-grounding conductor to a live terminal.

Check with a qualified electrician or service personnel if the grounding instructions are not completely understood, or if in doubt as to whether the machine is properly grounded.

Use only 3-wire extension cords that have 3-prong grounding type plugs and matching 3-conductor receptacles that accept the machine's plug, as shown in Fig. A.

Repair or replace damaged or worn cord immediately.

2. Grounded, cord-connected machines intended for use on a supply circuit having a nominal rating less than 150 volts:

If the machine is intended for use on a circuit that has an outlet that looks like the one illustrated in Fig. A, the machine will have a grounding plug that looks like the plug illustrated in Fig. A. A temporary adapter, which looks like the adapter illustrated in Fig. B, may be used to connect this plug to a matching 2-conductor receptacle as shown in Fig. B if a properly grounded outlet is not available. The temporary adapter should be used only until a properly grounded outlet can be installed by a qualified electrician. The green-colored rigid ear, lug, and the like, extending from the adapter must be connected to a permanent ground such as a properly grounded outlet box. Whenever the adapter is used, it must be held in place with a metal screw.

NOTE: In Canada, the use of a temporary adapter is not permitted by the Canadian Electric Code.

⚠ WARNING SHOCK HAZARD. IN ALL CASES, MAKE CERTAIN THE RECEPTACLE IN QUESTION IS PROPERLY GROUNDED. IF YOU ARE NOT SURE HAVE A QUALIFIED ELECTRICIAN CHECK THE RECEPTACLE.

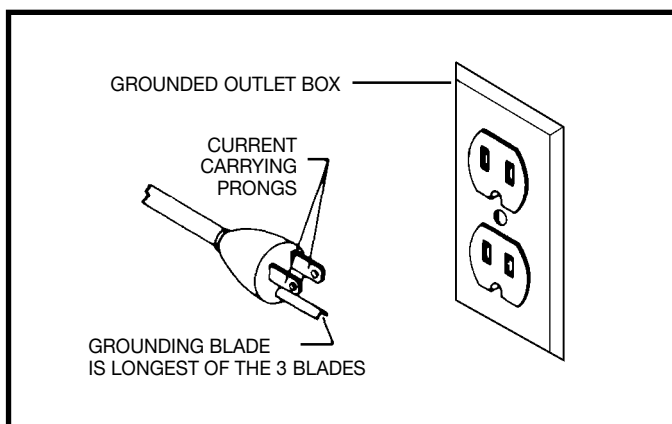


Fig. A

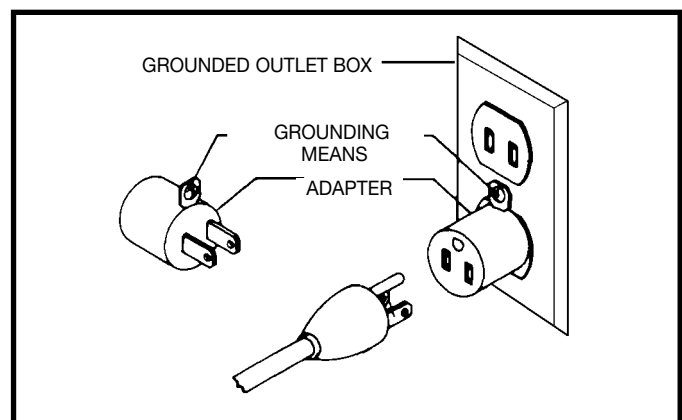


Fig. B

EXTENSION CORDS

⚠ WARNING Use proper extension cords. Make sure your extension cord is in good condition and is a 3-wire extension cord which has a 3-prong grounding type plug and matching receptacle which will accept the machine's plug. When using an extension cord, be sure to use one heavy enough to carry the current of the machine. An undersized cord will cause a drop in line voltage, resulting in loss of power and overheating. Fig. C shows the correct gauge to use depending on the cord length. If in doubt, use the next heavier gauge. The smaller the gauge number, the heavier the cord.

MINIMUM GAUGE EXTENSION CORD			
RECOMMENDED SIZES FOR USE WITH STATIONARY ELECTRIC MACHINES			
Ampere Rating	Volts	Total Length of Cord in Feet	Gauge of Extension Cord
0-6	120	up to 25	18 AWG
0-6	120	25-50	16 AWG
0-6	120	50-100	16 AWG
0-6	120	100-150	14 AWG
6-10	120	up to 25	18 AWG
6-10	120	25-50	16 AWG
6-10	120	50-100	14 AWG
6-10	120	100-150	12 AWG
10-12	120	up to 25	16 AWG
10-12	120	25-50	16 AWG
10-12	120	50-100	14 AWG
10-12	120	100-150	12 AWG
12-16	120	up to 25	14 AWG
12-16	120	25-50	12 AWG
12-16	120	GREATER THAN 50 FEET NOT RECOMMENDED	

Fig. C

FUNCTIONAL DESCRIPTION

FOREWORD

Model BD200SD is a 10 inch Table Saw designed to give high quality performance with depth of cut capacity up to 3 inches (76mm) at 90° and 2 inches (51mm) at 45° for clean cutting of standard stock sizes.

NOTICE: THE PHOTO ON THE MANUAL COVER ILLUSTRATES THE CURRENT PRODUCTION MODEL. ALL OTHER ILLUSTRATIONS CONTAINED IN THE MANUAL ARE REPRESENTATIVE ONLY AND MAY NOT DEPICT THE ACTUAL COLOR, LABELING OR ACCESSORIES AND ARE INTENDED TO ILLUSTRATE TECHNIQUE ONLY.

CARTON CONTENTS

MOTORIZED BENCH SAW PARTS

Fig. 1 illustrates the saw removed from the container. Figs. 2 and Fig. 3 illustrate the loose items packed with the saw. Fig. 4 illustrates the loose items packed for the stand.

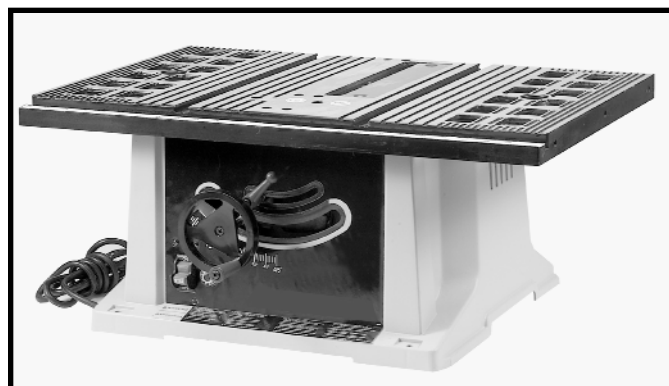


Fig. 1

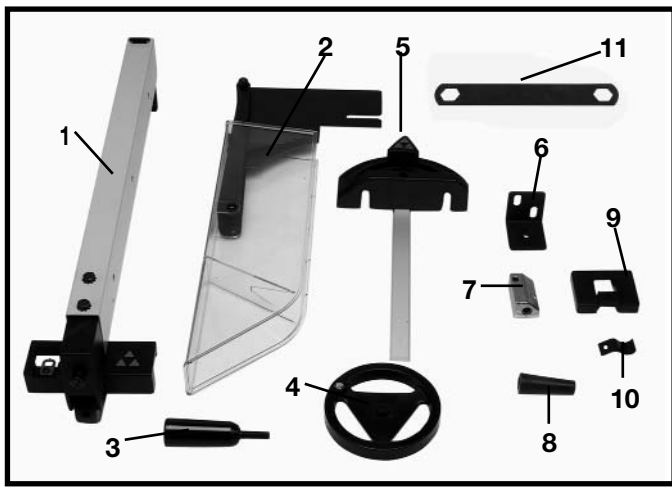


Fig. 2

Fig. 2 Parts

1. Rip Fence
2. Splitter and Guard Assembly
3. Lock Handle for Rip Fence
4. Blade Raising and Lowering Handwheel
5. Miter Gage
6. Splitter Support Bracket
7. Splitter Bracket
8. Handle for Blade Raising and Lowering Handwheel
9. Miter Gage Holder
10. Spring Clip for Miter Gage Holder
11. Blade Wrench

Fig. 4 Stand Hardware

1. Leg (4) (2 with holes at base for attaching wheel bracket and brace)
2. 3/8 inch Flat Washer for Mounting Saw to Stand & for Assembling Stand (24)
3. Foot (4)
4. M8x1.25 Hex Nut for Mounting Saw to Stand & for Assembling Stand (20)
5. M8x1.25x45mm Hex Screw for Mounting Saw to Stand (4)
6. M8x1.25x20mm Carriage Head Bolts for Assembling Stand (16)
7. 18-1/2 inch Top Front and Rear Brackets (2)
8. 17 inch Top Side Brackets (2)
9. 22 inch Bottom Front and Rear Brackets (2)
10. 20-3/8 inch Bottom Side Brackets (2)
11. Wheel Assembly (2)
12. 25 inch Brace (1)

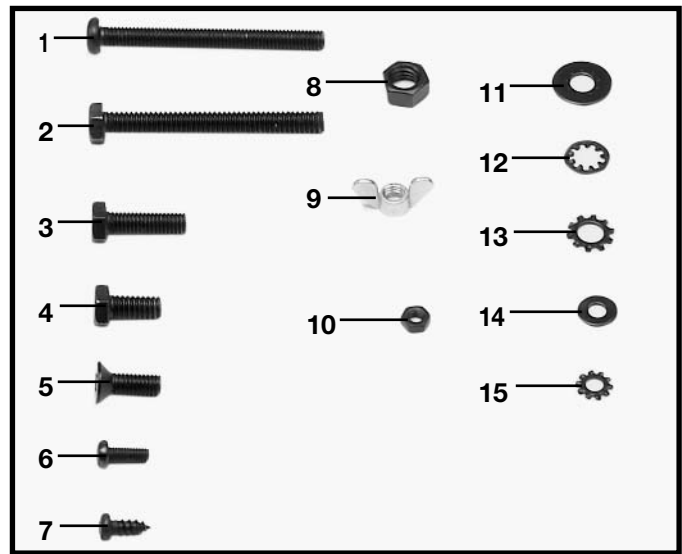
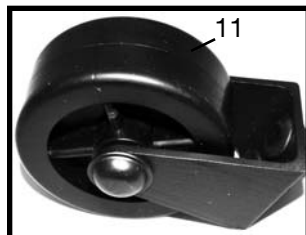


Fig. 3

Fig. 3 Hardware

1. M6x1x55mm Pan Head Screw (1)
2. 1/4-20x2 inch Hex Head Screw (1)
3. M6x1x20mm Hex Head Screw (1)
4. 1/4-20x1/2 inch Hex Head Screw (2)
5. M6x1x12mm Flat Head Screw (1)
6. M4x.7x10mm Pan Head Screw (1)
7. M4x.2x10mm Pan Head Screw (4)
8. M8x1.25 Hex Nut (1)
9. M6x1 Wing Nut (1)
10. M4.7 Hex Nut (1)
11. M6.4 Flat Washer (3)
12. 1/4 inch Internal Tooth Lockwasher (1)
13. 1/4 inch External Tooth Lockwasher (5)
14. 3/16 inch Flat Washer (4)
15. 3/16 inch External Tooth Flat Washer (1)

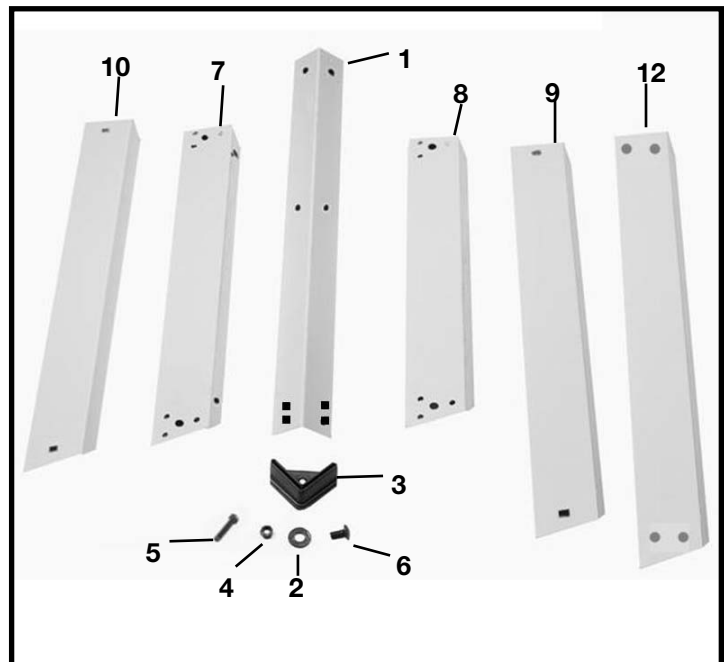


Fig. 4

UNPACKING AND CLEANING

Carefully unpack the machine and all loose items from the shipping container(s). Remove the protective coating from all unpainted surfaces. This coating may be removed with a soft cloth moistened with kerosene (do not use acetone, gasoline or lacquer thinner for this purpose). After cleaning, cover the unpainted surfaces with a good quality household floor paste wax.

ASSEMBLY

ASSEMBLY TOOLS REQUIRED

(None supplied)

* Phillips head screw driver

* 13mm wrench for stand bolts

* 10mm wrench for splitter assembly bolts

* Straight edge and/or framing square for adjustments

ASSEMBLY TIME ESTIMATE - 1 hour

ELEVATING AND SUPPORTING SURFACES FOR A SAW WITH NO STAND

⚠ WARNING THE SAW MUST BE PROPERLY SECURED TO A SUPPORTING SURFACE. ALSO, FAILURE TO PROVIDE A SAWDUST FALL-THROUGH AND REMOVAL HOLE WILL ALLOW SAWDUST TO BUILD UP AROUND THE MOTOR, CAUSING A POSSIBLE FIRE HAZARD AND/OR MOTOR DAMAGE.

⚠ WARNING DISCONNECT MACHINE FROM POWER SOURCE.

The saw must be elevated enough for sawdust to fall through the bottom of the saw and not build up around the motor.

Position the four mounting holes located on the base of the saw cabinet (two of which are shown at (A) Fig. 4A) over whatever proper support you are using. Then securely fasten the saw to the supports. The saw can be secured by fastening the stand through the mounting holes with suitable hardware (not supplied).

⚠ WARNING THE SAW SUPPORT MUST BE STABLE AND ABLE TO SUPPORT 300 POUNDS.

You can also construct a simple elevated support, as shown in Fig. 4B.

⚠ WARNING USE A GOOD GRADE OF PLYWOOD WITH A MINIMUM 3/4 INCH THICKNESS. DO NOT MAKE THE MOUNTING BOARD FROM PARTICLE BOARD SINCE PARTICLE BOARD BREAKS EASILY.

⚠ WARNING A HOLE MUST BE PROVIDED IN THIS SUPPORT TO ALLOW SAWDUST TO FALL THROUGH.

Square the saw on the supporting surface and mark the location for four 5/16 inch holes to be drilled (Fig. 4B).

⚠ WARNING MAKE SURE THERE IS AT LEAST 3 INCH ON ALL FOUR SIDES OF THE BASE.

Set the saw aside and then drill holes in these marks. Locate and mark an 11 inch or 12 inch square centered between the four mounting holes. Cut out and remove the square (Fig. 4B). To elevate the supporting surface, measure two 2x4s (A) Fig. 4B to the width of two opposite sides of the supporting surface. Attach the supporting surface to the narrow edges of the 2X4s (as shown in Fig. 4B) using wood screws (not provided) in at least three spots (B) Fig. 4B on each side.

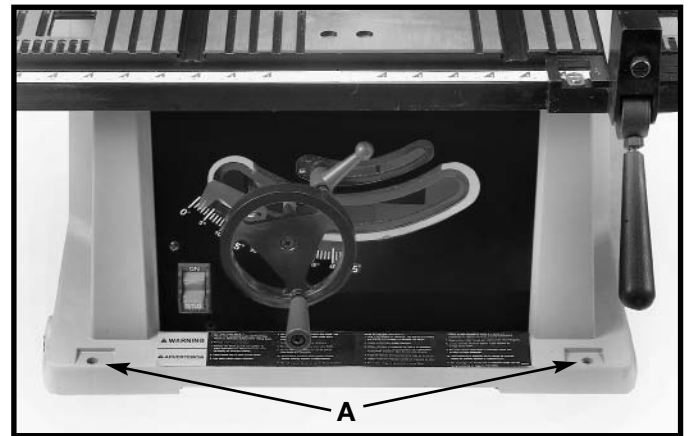


Fig. 4A

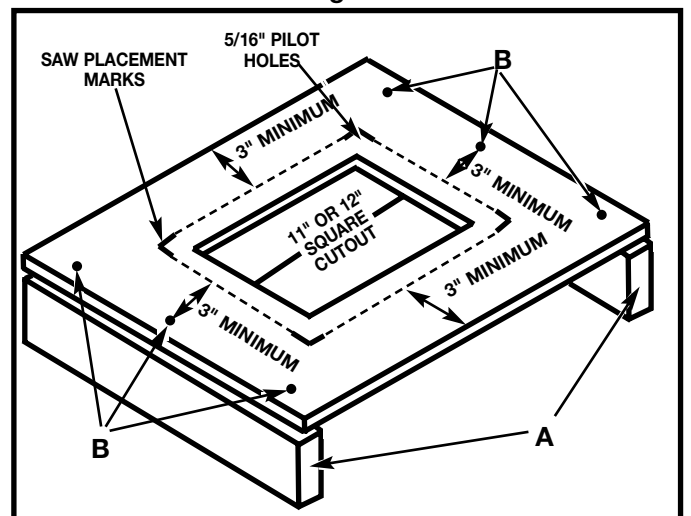


Fig. 4B

Fasten the saw to the surface by inserting suitable hardware (not supplied) through the mounting holes on the saw and into the previously drilled holes. While using the saw, periodically remove the sawdust buildup from below the saw.

ATTACHING MITER GAUGE HOLDER

⚠ WARNING DISCONNECT MACHINE FROM POWER SOURCE.

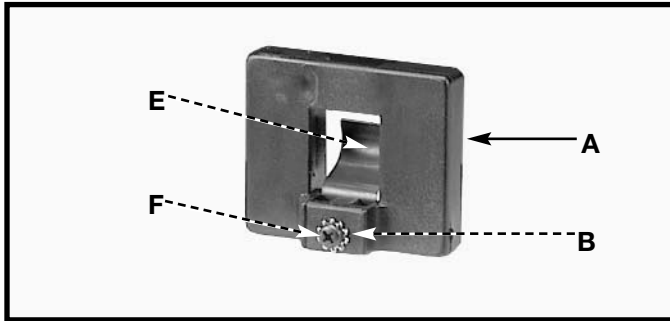


Fig. 5

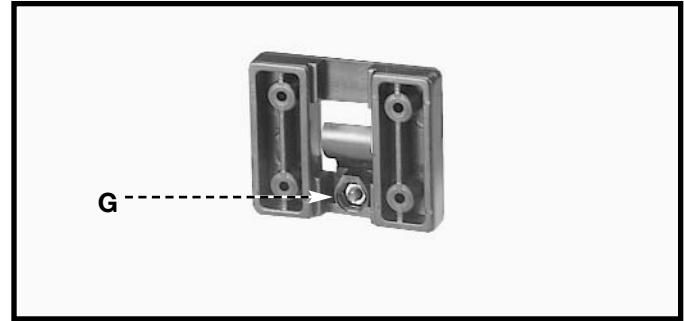


Fig. 6

1. Attach the spring clip (E) Fig. 5 to the miter gauge holder (A) using an M4x.7x10mm pan head screw (F), 3/16 inch external tooth lockwasher, (B) and M4x.7 hex nut.

NOTE: The hex nut (G) Fig. 6 will fit into the recess at the back of the miter gauge holder (A) Fig. 5 to keep the spring clip (E) secured to the miter gauge holder.

2. Attach the miter gauge holder (A) Fig. 7 to the left side of the saw cabinet using the four M4x.2x10mm screws (B) Fig. 8, and 3/16 inch flat washers (C) from inside of the saw cabinet.
3. Fig. 9 illustrates the miter gauge (D) inserted into the holder.

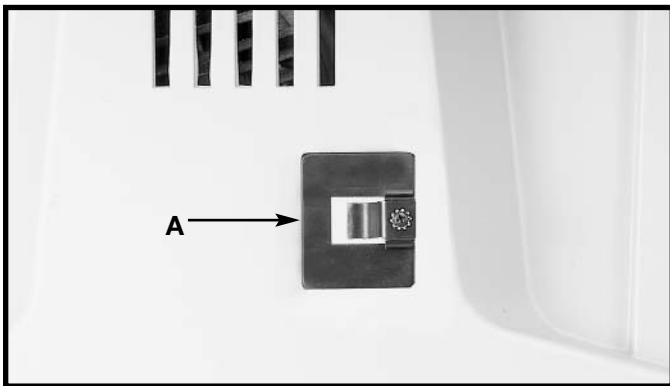


Fig. 7

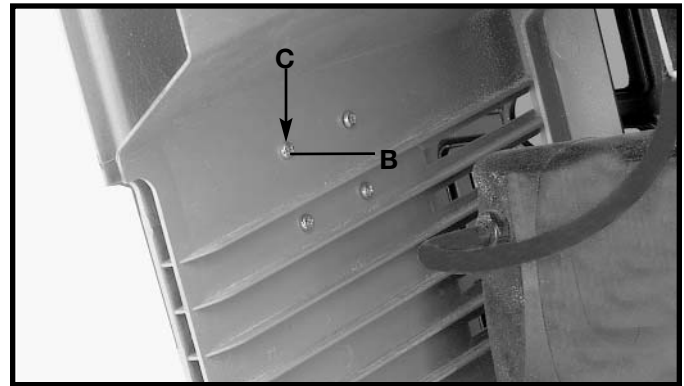


Fig. 8

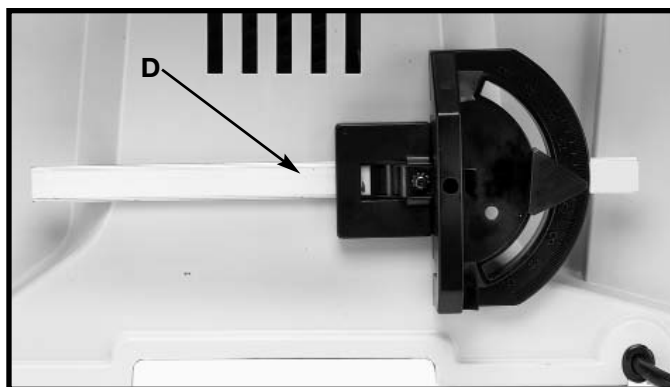


Fig. 9

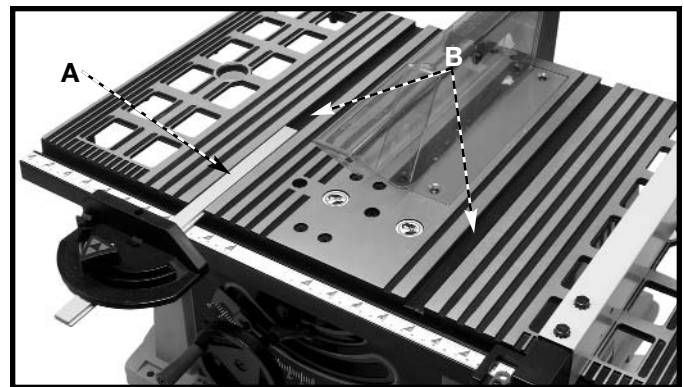


Fig. 10

MITER GAUGE

The miter gauge is shipped assembled and is supplied with a T-slot bar (A) Fig. 10 that is inserted into either one of the two T-slotted miter gauge grooves (B) located in the table top. The T-slot prevents the miter gauge from falling when it is extended beyond the front of the table when cross-cutting extra wide workpieces.

ASSEMBLING STAND

1. Attach the rubber feet (H) Fig. 11 to the bottom of each leg (F).
Locate the two legs (F) which have holes at the bottom for attaching the wheel brackets (G) and brace (E). (**Make sure wheels and brackets are properly oriented. See inset Figure 11.**) To attach the brackets, remove the nuts from the bolts and insert the bolts through the holes in the bottom of the two legs and into the holes in brace (E). Thread the nuts back on the bolts and tighten. Assemble the stand as shown in Fig. 11, using 16 M8x1.25x20mm carriage head bolts, 3/8 inch flat washers and M8x1.25 hex nuts. Align the holes in the stand legs (F) with the holes in the brackets. Insert the carriage head bolt through the hole in the leg and the hole in the bracket, place a flat washer on the carriage head bolt and thread a hex nut onto the carriage head bolt. Repeat this process for the 15 remaining holes in the legs and brackets.

NOTE: Loosely tighten the hardware for further adjustment.

Letters are on the stand brackets to ease assembly:

- A - Top front and rear brackets
- B - Top side brackets
- C - Bottom side brackets
- D - Bottom front and rear brackets
- E - Bottom brace

NOTE: Each rubber foot is provided with holes for mounting the stand to the floor surface if required.

ATTACHING THE BAG

1. Attach the dust bag to the bag frame and place the frame of the dust bag inside the saw stand as shown in Fig. 12. Refer to the section below to attach this assembly to the saw.

SAW TO STAND

1. Turn saw table face down on a piece of cardboard to protect the table surface. Place stand upside down onto saw and align the four holes in the stand with the mounting holes in the saw.
2. Place a 3/8 inch flat washer on a M8x1.25x45mm hex head screw. Insert the hex head screw through the mounting hole in the saw and the mounting hole in the stand. Place another 3/8 inch flat washer on the hex head screw and thread a M8x1.25 hex nut on the screw and loosely tighten. Complete this process for the other three holes.
3. Stand the saw upright, as shown in Fig. 13 (Saw is shown fully assembled here).
4. Push down on top of the saw so that the legs of the stand adjust to the surface of the floor. Tighten all hardware securely.

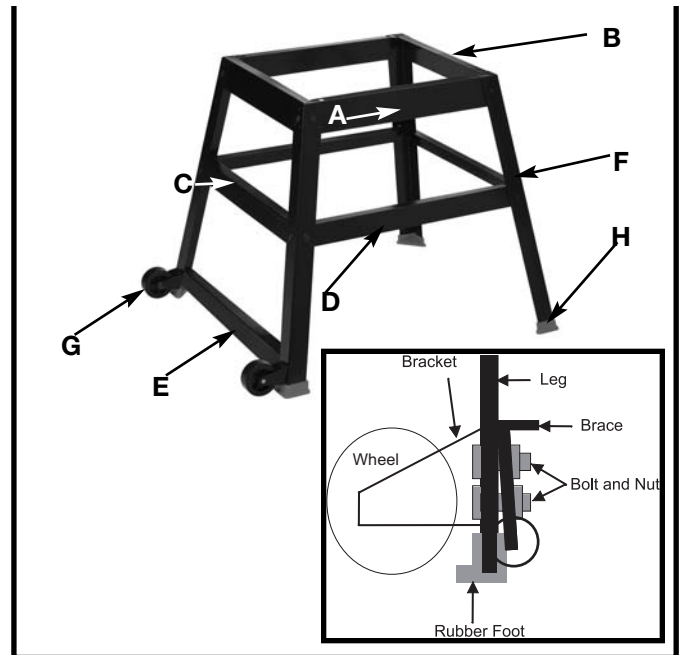


Fig. 11



Fig. 12



Fig. 13

ATTACHING BLADE HEIGHT ADJUSTING HANDWHEEL

1. Insert an M6x1x55mm pan head screw (D) Fig. 14 through the handle (E). Attach the handle (E) to the handwheel (A) by threading the screw (D) clockwise into the handwheel.
2. Attach the handwheel (A) Fig. 15 to the shaft (B). Align the flat on the inside of the handwheel to the flat on the shaft.

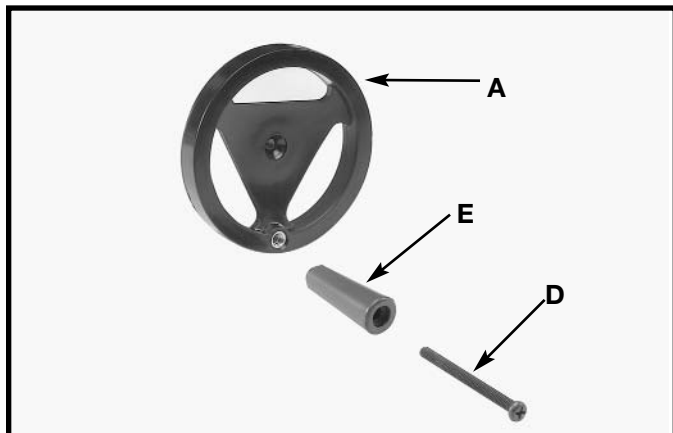


Fig. 14



Fig. 15

3. Fasten the handwheel (A) Fig. 16 to the shaft using an M6x1x12mm flat head screw (C)

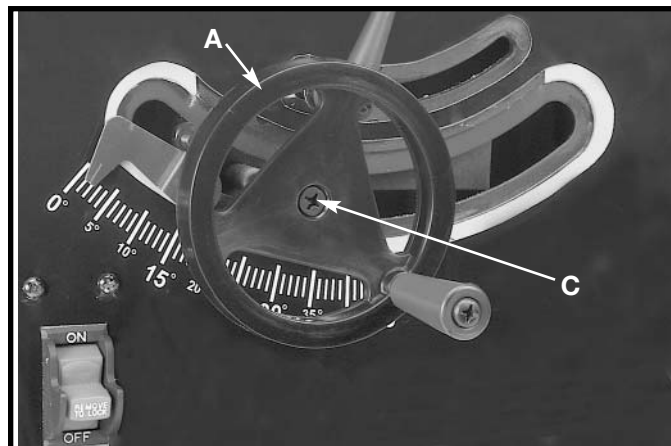


Fig. 16

ATTACHING BLADE GUARD AND SPLITTER ASSEMBLY

⚠ WARNING DISCONNECT MACHINE FROM POWER SOURCE.

⚠ WARNING PROPERLY ALIGN THE BLADE GUARD AND SPLITTER ASSEMBLY WITH THE SAW BLADE TO PREVENT KICKBACK.

1. Position the blade 90 degrees to the table and lock in place.
2. Fasten the splitter support bracket (A) Fig. 17 to the splitter bracket (B) using two 1/4-20x1/2 inch hex head screws (C) and two 1/4 inch external tooth lockwashers (D).

NOTE: Loosely tighten the screws for further adjustment.

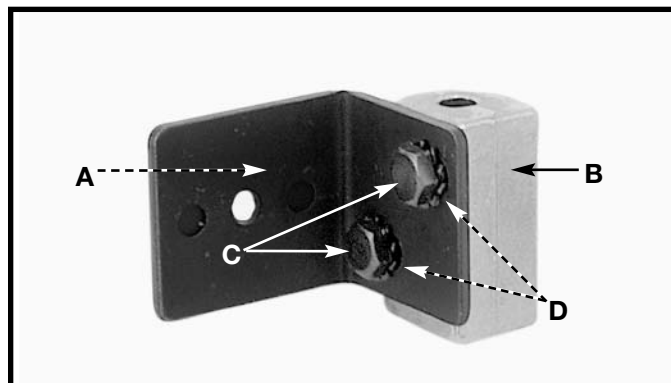


Fig. 17

3. Locate the 1/4-20x2 inch hex head screw (G) Fig. 18. Place the 1/4 inch internal tooth lockwasher (O) M6.4 flat washer (P) and the 1/4 inch external tooth lockwasher (R) on the screw (G).
4. Position the recessed end (E) Fig. 19 of the splitter bracket (B) against the end of the pivot rod (F), and fasten using the assembly in **STEP 3**. **NOTE: Do not completely tighten screw (G) at this time.** Assembly shown in Fig. 20. **NOTE: Loosely tighten the hardware for further adjustment.**
5. Position the splitter (H) Fig. 21 against the splitter support bracket, making certain the two protrusions (K) on the splitter support bracket are inside the slot of splitter (H).

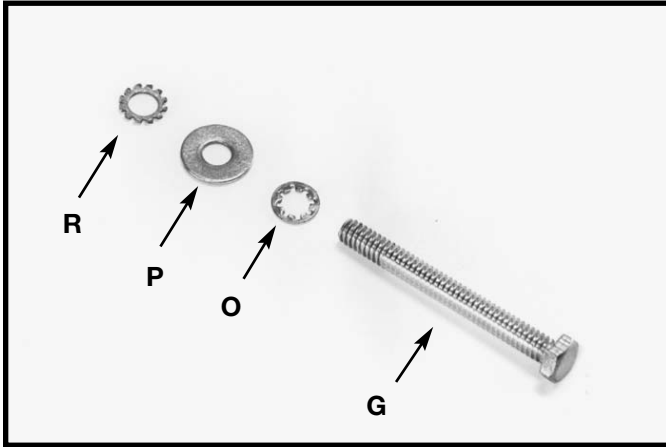


Fig. 18

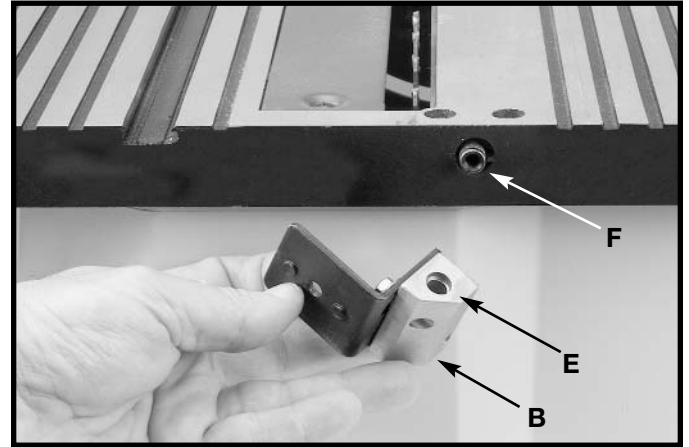


Fig. 19

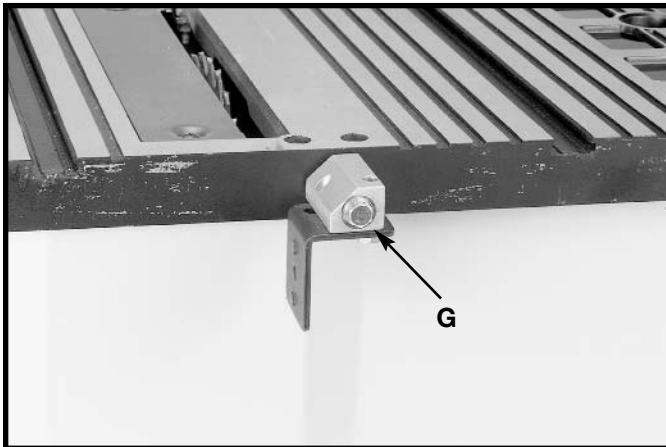


Fig. 20

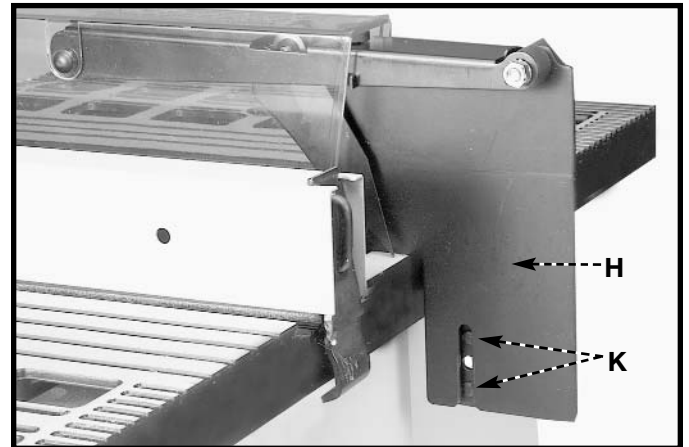


Fig. 21

6. Attach the splitter (H) Fig. 22 to the splitter support bracket (B). Place a 1/4 inch external tooth lockwasher and an M6.4 flat washer on an M6x1x20mm hex head screw (L).
7. Insert the screw (L) Fig. 22 through the splitter support bracket (C) and the splitter (H). Place an M6.4 flat washer and a 1/4 inch external tooth lock washer on the screw (L). Thread an M6x1 wing nut (M) Fig. 23 on the screw (L) Fig. 23.

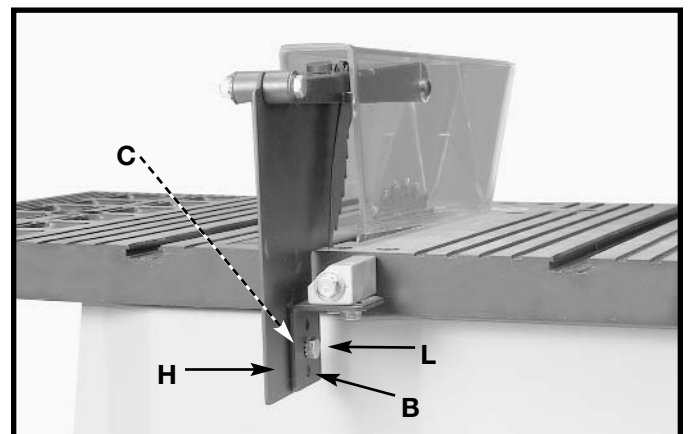


Fig. 22

NOTE: Before tightening the wing nut (M) Fig. 23, make certain a gap of at least 1/8 inch is between the bottom edge of the splitter (N) and the top surface of the table (P) and that the protrusions (K) are inside the slot of the splitter assembly (H).

8. Use a straight edge to see if the splitter (H) Fig. 24 is aligned with the saw blade (R). If an adjustment is necessary, the splitter (H) can be moved left or right and rotated.
9. When the splitter is properly aligned with the saw blade, tighten the screws (C) and (G) Fig. 25.

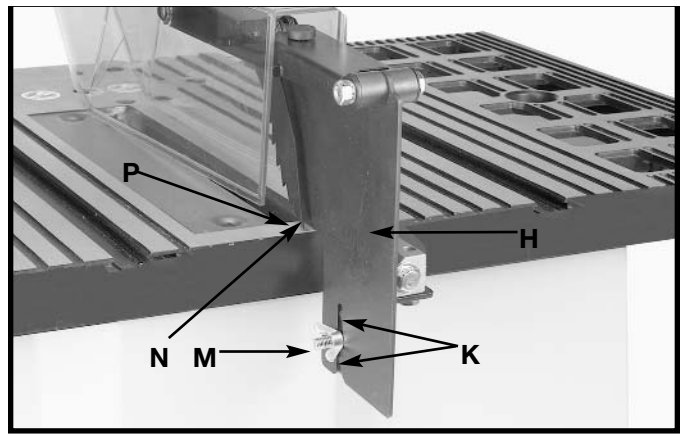


Fig. 23



Fig. 24

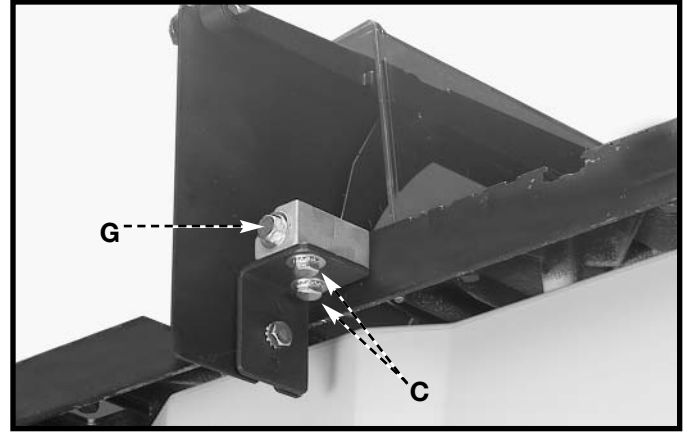


Fig. 25

ASSEMBLING RIP FENCE

1. Thread the M8x1.25 hex nut (A) Fig. 26, approximately halfway on the stud of the handle (B).
2. Thread the handle (B) Fig. 26 into the tapped hole (C) in the fence cam (D). Tighten the hex nut (A) Fig. 27 against the cam (D).
3. The rip fence is usually set up on the right hand side of the saw table. Lift the lock handle (B) Fig. 28 and position the fence on the table. Push down on the handle (B) Fig. 28 to lock the fence in place.

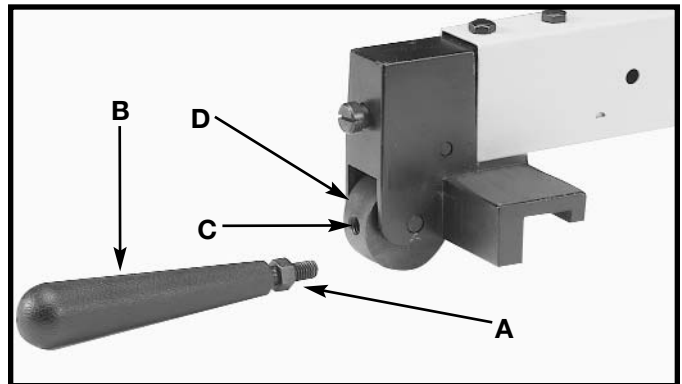


Fig. 26

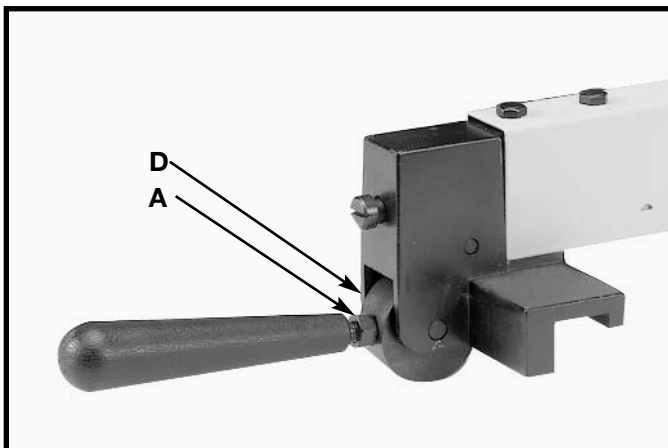


Fig. 27

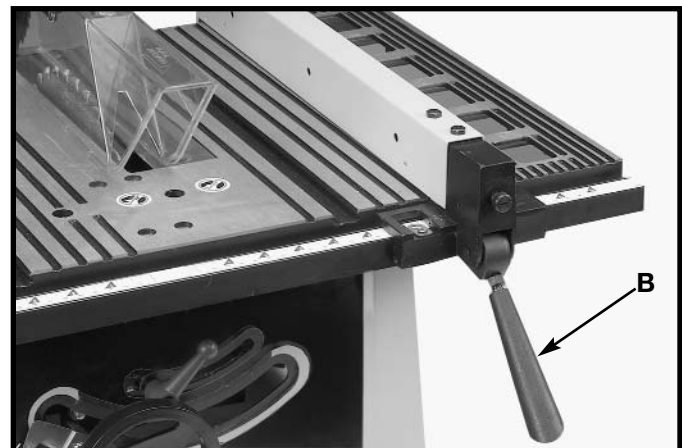


Fig. 28

MOVING THE SAW

To move the saw, grasp the side of the table opposite of the wheels. Lift the saw so that it is slightly off the floor and pull the table to the desired location as shown.



CAUTION Not all floors are perfectly smooth, check both wheels each time you move the saw to ensure that they are not engaging the floor when the saw is at rest. Make sure all bolts are securely fastened.

OPERATION

OPERATIONAL CONTROLS AND ADJUSTMENTS

STARTING AND STOPPING SAW

The on/off switch (A) Fig. 29 is located on the front of the saw cabinet. To turn the saw “ON”, move the switch (A) up to the “ON” position. To turn the saw “OFF”, move the switch (A) down to the “OFF” position.

WARNING Make sure that the switch is in the “OFF” position before plugging in the power cord. In the event of a power failure, move the switch to the “OFF” position. An accidental start-up can cause injury.

LOCKING SWITCH IN THE “OFF” POSITION

IMPORTANT: When the tool is not in use, the switch should be locked in the “OFF” position to prevent unauthorized use. To lock the tool, grasp the switch toggle (B) and pull it out of the switch (Fig. 30). With the switch toggle (B) removed, the switch will not operate. However, should the switch toggle be removed while the saw is running, the machine can be turned “OFF,” but cannot be restarted without re-inserting the switch toggle (B).

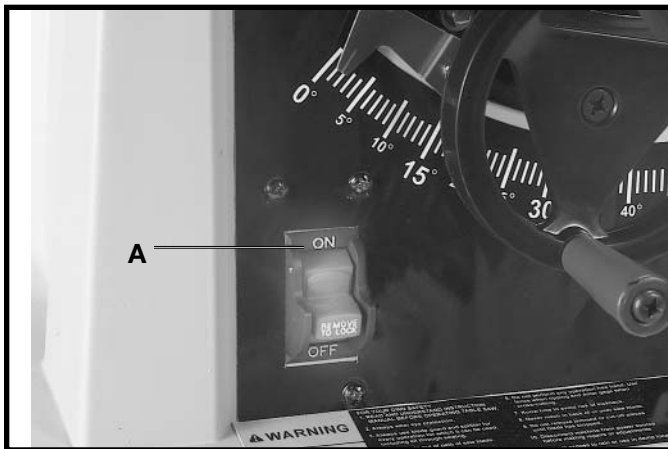


Fig. 29

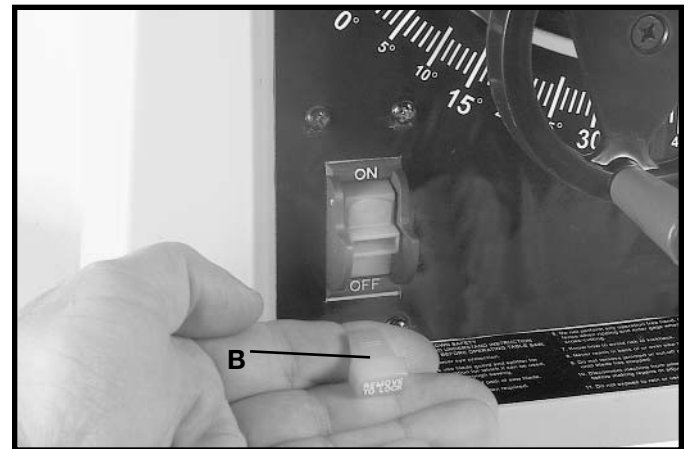


Fig. 30

BLADE HEIGHT ADJUSTMENT

To adjust the height of the saw blade, turn the handwheel (A) Fig. 31. Turning the handwheel clockwise lowers the blade and turning the handwheel counter-clockwise raises the blade.

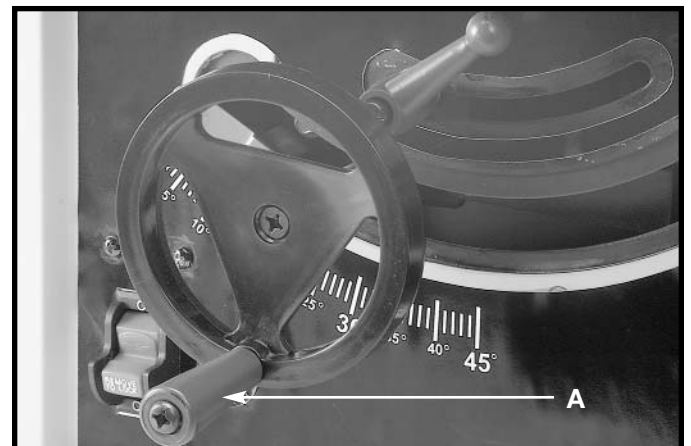


Fig. 31

BLADE TILT ADJUSTMENT

To tilt the saw blade, loosen the lock handle (A) Fig. 32 and move the handwheel (B) until the blade is at the desired angle. Tighten the lock handle (A).

NOTE: The lock handle (A) is spring-loaded. Pull out on the handle (A) and reposition it on the serrated stud located underneath the handle.

⚠ WARNING THE BLADE TILTING LOCK HANDLE (A) MUST BE LOCKED DURING ALL CUTTING OPERATIONS.

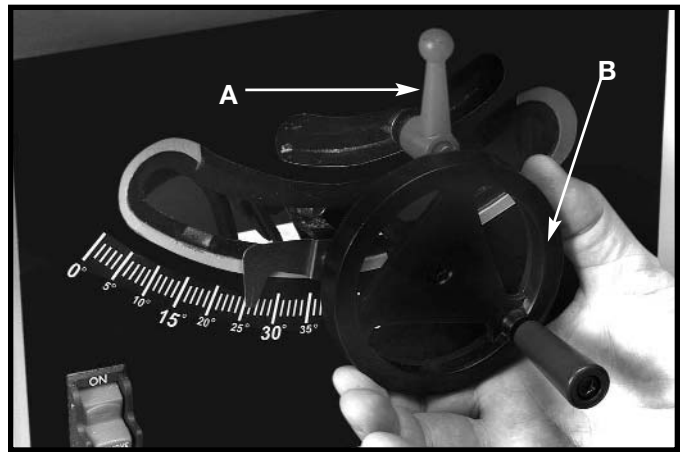


Fig. 32

90 AND 45 DEGREE POSITIVE STOP ADJUSTMENTS

Your saw is equipped with positive stops for rapid and accurate positioning of the saw blade at 90 and 45 degrees to the table.

⚠ WARNING DISCONNECT MACHINE FROM POWER SOURCE.

TO ADJUST POSITIVE STOP AT 90 DEGREES

1. Raise the saw blade to its maximum height.
2. Loosen the blade tilting lock handle (A) Fig. 32, move the blade tilting mechanism (B) as far as possible to the left, and tighten the blade tilting lock handle (A).
3. Place a square (A) Fig. 33 on the table with one end of the square against the blade, and check to see if the blade is 90 degrees to the table. If not, loosen the screw (B) Fig. 33 a few turns and move the blade tilting mechanism until the blade is 90 degrees to the table. Tighten the blade tilting lock handle (A) Fig. 32, and tighten the screw (B) Fig. 33 until it stops.

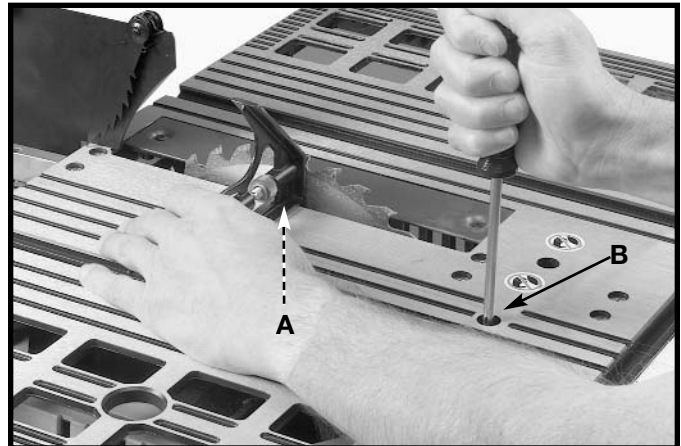


Fig. 33

TO ADJUST POSITIVE STOP AT 45 DEGREES

1. Raise the saw blade to its maximum height.
2. Loosen the blade tilting lock handle (A) Fig. 32, move the blade tilting mechanism (B) as far as possible to the right, and tighten the blade tilting lock handle (A).
3. Place a square (A) Fig. 34 on the table with one end of the square against the blade, and see if the blade is 45 degrees to the table. If not, loosen the screw (C) Fig. 34 a few turns and move the blade tilting mechanism (B) Fig. 32, until the blade is 45 degrees to the table. Tighten the blade tilting lock handle (A) Fig. 32, and tighten the screw (C) Fig. 34 until it stops.

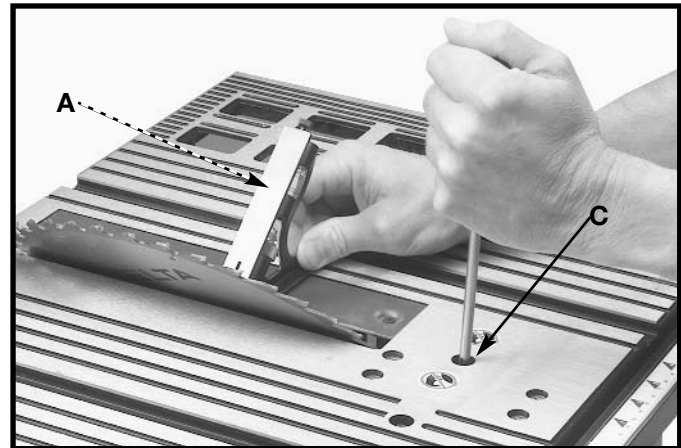


Fig. 34

RIP FENCE OPERATION AND ADJUSTMENTS

1. To move the rip fence (A) Fig. 35 along the table, lift up the fence locking lever (B), slide the fence to the desired location on the table, and push down the fence locking lever (B).
2. The pointer indicates the distance from the fence to the saw blade. If an adjustment is required, loosen the screw (C) Fig. 35 and adjust.

IMPORTANT: The rip fence must be properly aligned to the miter gauge slot to prevent kickback when ripping.

3. The saw blade is set parallel to the miter gauge slot at the factory. The fence must be parallel to the miter gauge slot to do accurate work and to prevent kickback when ripping. To check the alignment:
4. Position the fence next to the miter gauge slot (Fig. 35). Clamp the fence to the table by pushing the locking lever (B) down. The edge of the fence should be parallel to the miter gauge slot.
5. If an adjustment is necessary, loosen the two screws (D) Fig. 35, and lift the locking lever (B). While holding the fence bracket (F) firmly toward the front of the saw, move the rear of the fence (A) until it is parallel with the miter gauge slot. Tighten two screws (D) and push locking lever down (B).
6. Adjust the clamping action of the fence (A) Fig. 35 by lifting the locking lever (B) and turning the screw (E) clockwise to increase, or counterclockwise to decrease the clamping action of the fence.

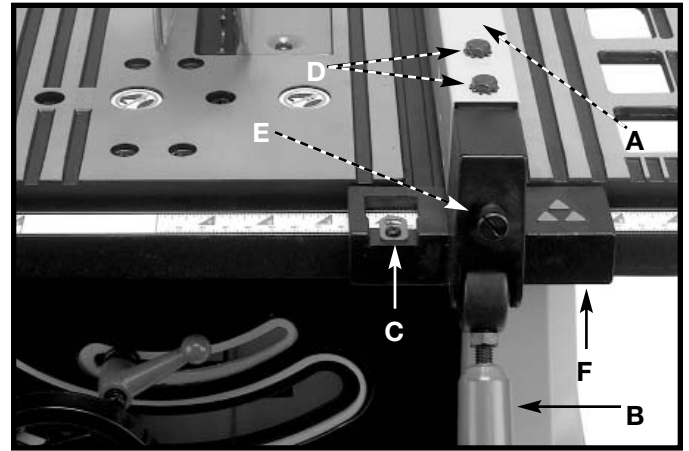


Fig. 35

TABLE INSERT ADJUSTMENT

⚠ WARNING DISCONNECT MACHINE FROM POWER SOURCE.

1. Make sure that the table insert (A) Fig. 36, is flush with, or slightly below, the surface of the table (B).
2. If the table insert is above the surface of the table, tighten the two table insert screws (C) Fig. 36 to lower the insert.

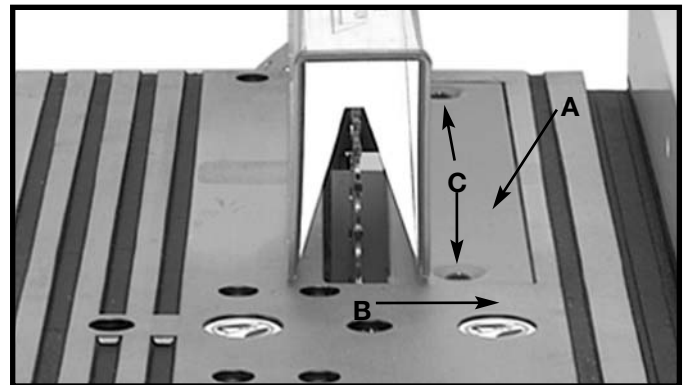


Fig. 36

MITER GAUGE OPERATION AND ADJUSTMENTS

For cross-cutting (blade set 90 degrees to the table), the miter gauge can be used in either table slot. For bevel cross-cutting (with the blade tilted), use the miter gauge in the right table slot only so that the blade will be tilted away from the miter gauge and your hands.

To operate the miter gauge, loosen the lock knob (E) Fig. 37, and rotate the miter gauge to the desired angle.

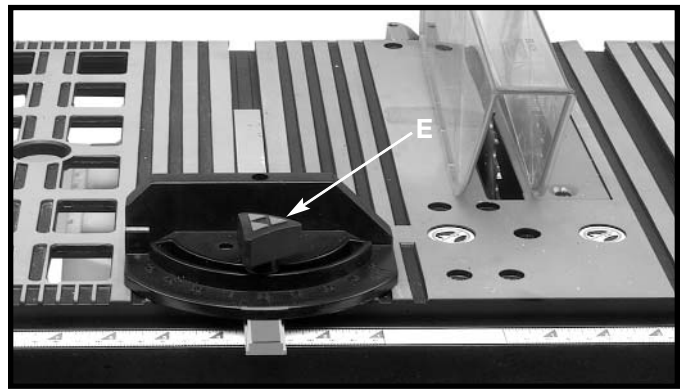


Fig. 37

ADJUSTING BLADE PARALLEL TO MITER GAUGE SLOTS

The blade was adjusted parallel to the miter gauge slots at the factory. In order to ensure accurate cuts and help prevent kickback, check this adjustment.

To adjust:

⚠ WARNING DISCONNECT MACHINE FROM POWER SOURCE.

1. Raise the blade to its highest position and adjust the blade so that it is 90 degrees to the table.
2. Select a tooth on the saw blade that is set to the left. Mark this tooth with a pencil or marker.
3. Use a combination square (A) Fig. 38 against the miter gauge slot and adjust the blade (B) of the square until it touches the marked tooth.
4. Rotate the blade and check the same marked blade tooth at the rear of the saw table (Fig. 39).

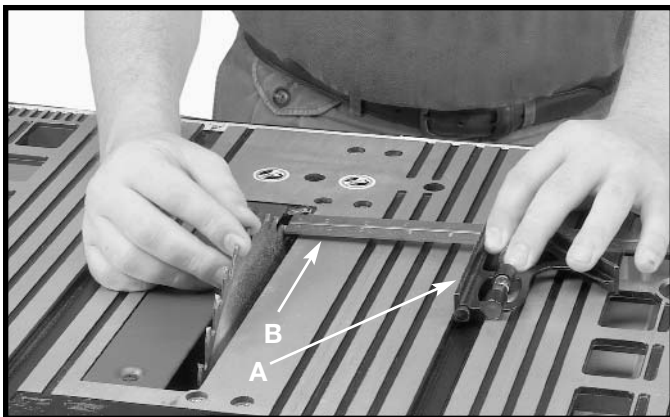


Fig. 38

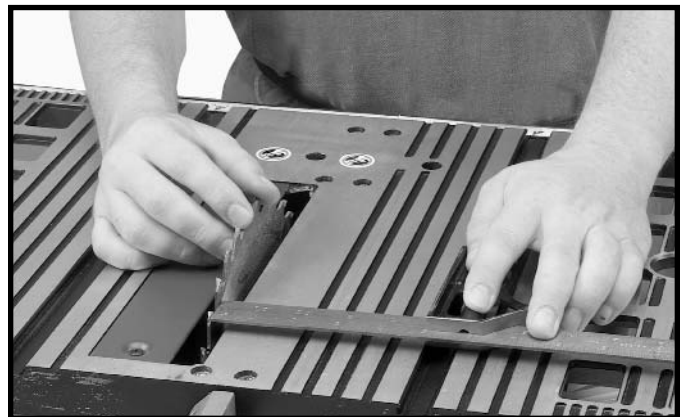


Fig. 39

5. If the front and back measurements (Figs. 38 and 39) are not identical, you can adjust the blade. Start by loosening the nuts below the four screws (C) Fig. 40 on the table. Then loosen the screws (C). Carefully move the saw blade until the blade is parallel to the miter gauge slot. When done, tighten four nuts under the table and the four screws (C) Fig. 40 securely.

NOTE: If sufficient adjustment cannot be achieved by loosening the screws (C) Fig. 40, loosen the screw (D) Fig. 40 necessary to make the adjustment.

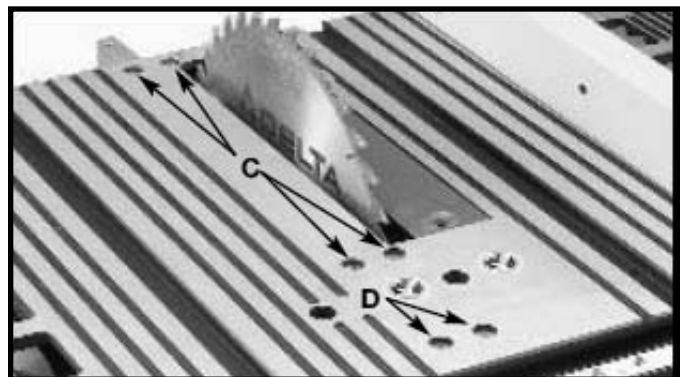


Fig. 40

CHANGING THE BLADE

⚠ WARNING DISCONNECT THE MACHINE FROM THE POWER SOURCE. USE ONLY 10 INCH DIAMETER SAW BLADES RATED FOR 4700 RPM OR HIGHER. USE ONLY SAW BLADES WITH 5/8 INCH ARBOR HOLES.

1. **NOTE:** One 7/8 inch wrench is supplied with the saw for changing the saw blade.
2. Remove table insert (A) Fig. 41, and raise saw blade (F) to its maximum height.
3. To remove blade, place the wrench (D) on the flats of the arbor nut (C) to keep the arbor from turning. Place a piece of wood (B) flat on the table against the blade so that a tooth of the blade can “grab” the wood to keep the blade from turning. Use wrench to turn the arbor nut toward the front of the saw. Remove arbor nut, blade flange (E), and saw blade.
4. Assemble the new blade, making certain the teeth point down at the front of the saw table, and assemble outside blade flange and arbor nut. Using the piece of wood (B) to keep the blade from turning, tighten arbor nut by turning wrench (D) toward the rear of the saw.
5. Replace table insert.

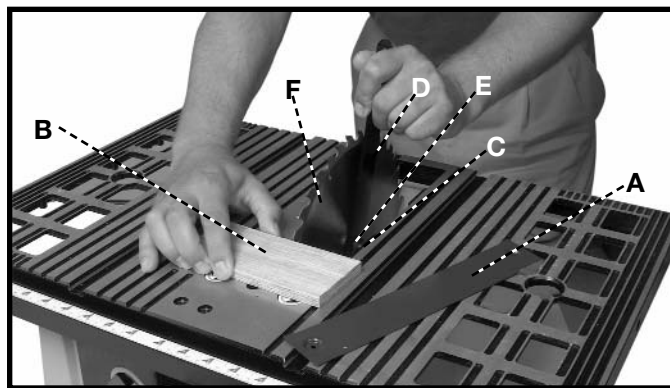


Fig. 41

MACHINE USE

Common sawing operations include ripping and crosscutting plus a few other standard operations of a fundamental nature. As with all power machines, there is a certain amount of hazard involved with the operation and use of the machine. Using the machine with the respect and caution demanded as far as safety precautions are concerned, will considerably lessen the possibility of personal injury. However, if normal safety precautions are overlooked or completely ignored, personal injury to the operator can result. The following information describes the safe and proper method for performing the most common sawing operations.

⚠ WARNING THE USE OF ATTACHMENTS AND ACCESSORIES NOT RECOMMENDED MAY RESULT IN THE RISK OF INJURY TO THE USER OR OTHERS.

CROSS-CUTTING

Cross-cutting requires the use of the miter gage to position and guide the work. Place the work against the miter gage and advance both the gage and work toward the saw blade, as shown in Fig. 42. The miter gage may be used in either table slot. When bevel cutting (blade tilted), use the table groove that does not cause interference of your hand or miter gage with the saw blade guard.

Start the cut slowly and hold the work firmly against the miter gage and the table.

⚠ WARNING ONE OF THE RULES IN RUNNING A SAW IS THAT YOU NEVER HANG ONTO OR TOUCH THE PART OF THE WORKPIECE THAT WILL BE CUT OFF.

Hold the supported piece, not the free piece that is cut off. The feed in cross-cutting continues until the work is cut in two, and the miter gage and work are pulled back to the starting point. Before pulling the work back, it is good practice to give the work a little sideways shift to move the work slightly away from the saw blade. **Never** pick up any short length of free work from the table while the saw is running. **Never** touch a cut-off piece unless it is at least a foot long.

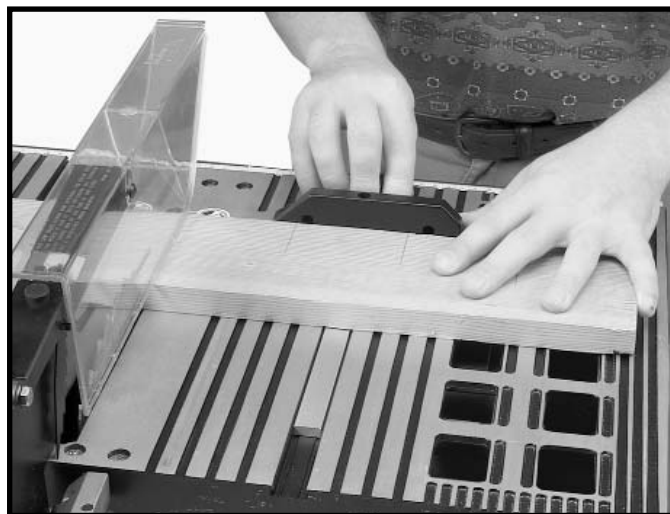


Fig. 42

For added safety and convenience the miter gage (A) can be fitted with an auxiliary wood-facing (B), as shown in Fig. 42A, that should be at least 1 inch higher than the maximum depth of cut, and should extend out 12 inches or more to one side or the other depending on which miter gage slot is being used. This auxiliary wood-facing

(B) can be **fastened** to the front of the miter gage by using two wood screws (C) through the holes provided in the miter gage body and into the wood-facing.

⚠ WARNING NEVER USE THE FENCE AS A CUT-OFF GAGE WHEN CROSS-CUTTING.

When cross-cutting a number of pieces to the same length, a block of wood (B) Fig. 42B can be clamped to the fence and used as a cut-off gage as shown in Fig. 42B. It is important that this block of wood always be positioned in front of the saw blade as shown. Once the cut-off length is determined, secure the fence and use the miter gage to feed the work into the cut. This block of wood allows the cut-off piece to move freely along the table surface without binding between the fence and the saw blade, thereby lessening the possibility of kickback and injury to the operator.

⚠ CAUTION WHEN USING THE BLOCK (B) FIG. 42B, AS A CUT-OFF GAGE, IT IS VERY IMPORTANT THAT THE REAR END OF THE BLOCK BE POSITIONED SO THE WORK PIECE IS CLEAR OF THE BLOCK BEFORE IT CONTACTS THE BLADE.

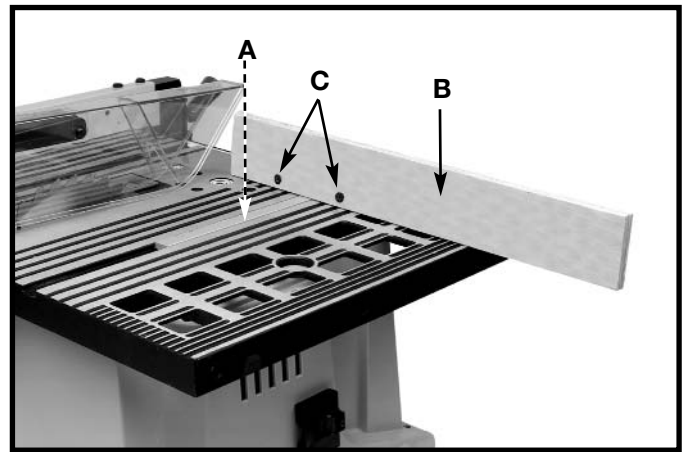


Fig. 42A

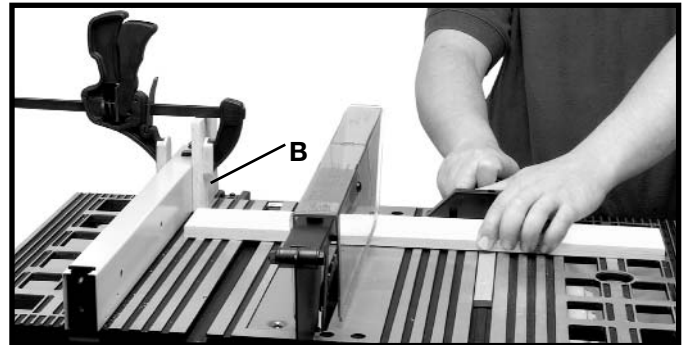


Fig. 42B

RIPPING

Ripping is cutting lengthwise through a board. The rip fence (A) Fig. 43 is used to position and guide the work. One edge of the work rides against the rip fence while the flat side of the board rests on the table. Since the work is pushed along the fence, it must have a straight edge and make solid contact with the table.

⚠ WARNING THE SAW BLADE GUARD MUST BE USED ON DELTA SAWS, THE GUARD HAS ANTI-KICKBACK FINGERS TO PREVENT KICKBACK AND A SPLITTER TO PREVENT THE WOOD KERF FROM CLOSING AND BINDING THE BLADE. BE SURE TO REPLACE OR SHARPEN THE ANTI-KICKBACK DEVICES WHEN THE POINTS BECOME DULL.

⚠ WARNING A RIP FENCE SHOULD ALWAYS BE USED FOR RIPPING OPERATIONS. NEVER PERFORM A RIPPING OPERATION FREE-HAND.

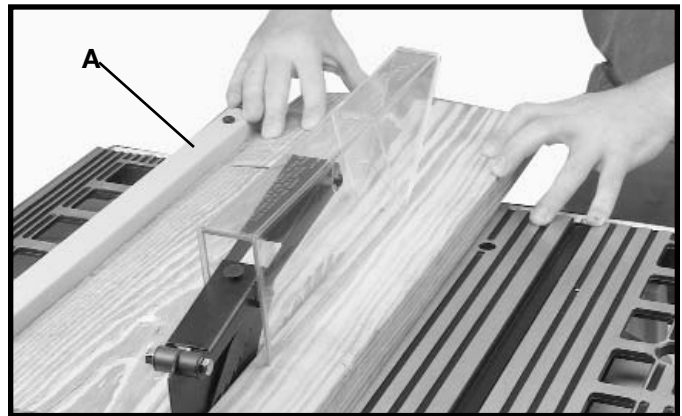


Fig. 43

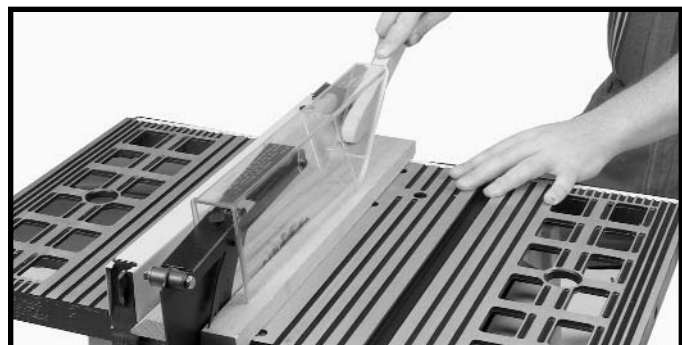


Fig. 44

1. Start the motor and advance the work holding it down and against the fence. **Never** stand in the line of the saw cut when ripping. When the rip width is 6 inches or wider, hold the work with both hands and push it along the fence and into the saw blade (Fig. 43). The work should then be fed through the saw blade with the right hand. Only use the left hand to guide the workpiece. Do not feed the workpiece with the left hand. After the work is beyond the saw blade and anti-kickback fingers, remove hands from the work.
2. When this is done the work will either stay on the table, tilt up slightly and be caught by the end of the rear guard, or slide off the table to the floor. Alternately, the feed can continue to the end of the table, after which the work is lifted and brought along the outside edge of the fence. The cut-off stock remains on the table and is not touched until the saw blade has stopped, unless it is a large piece allowing safe removal. When ripping boards longer than three

- feet, use a work support at the rear of the saw to keep the workpiece from falling off the saw table.
- If the ripped work is less than 6 inches wide, a push stick should always be used to complete the feed, as shown in Fig. 44. The push stick can easily be made from scrap material as explained in the section “**CONSTRUCTING A PUSH STICK.**”
 - Ripping narrow pieces can be dangerous if not done carefully.

⚠ WARNING WHEN THE PIECE IS TOO NARROW FOR A PUSH STICK TO BE EFFECTIVE - AND IF THE WORKPIECE IS SHORT ENOUGH - USE A PUSHBOARD. WHEN RIPPING MATERIAL UNDER 2 INCHES IN WIDTH, ORDINARY PUSH STICKS MAY INTERFERE WITH THE BLADE GUARD.

When using a pushboard, the width of the pushboard must be added to the width of the rip fence position setting. A flat pushboard can be constructed as shown in Fig. 46 and should be used as shown in Fig. 45. **NOTE: GUARD REMOVED FOR CLARITY. ALWAYS USE THE GUARD.**

NOTE: Some special operations require the addition of an auxiliary wood facing to the fence, as explained in the section “**USING AUXILIARY WOOD FACING ON THE RIP FENCE**” and use of a push stick.

USING AUXILIARY WOOD FACING ON RIP FENCE

When performing special cutting operations – and that operation may cause the cutting implement to contact the fence – it is necessary to add a wood facing (A) Fig. 47, to one side of the rip fence as shown. The wood facing is attached to the fence with wood screws through holes drilled in the fence. 3/4-inch stock is suitable for most work, although an occasional job may require one-inch facing.

ACCESSORY DADO CUTTERHEAD

CAUTION THE MAXIMUM WIDTH DADO CUT FOR THIS SAW IS 1/2 INCH.

⚠ WARNING THE BLADE GUARD AND SPLITTER ASSEMBLY CANNOT BE USED WHEN DADOING. IT MUST BE REMOVED OR SWUNG TO THE REAR OF THE SAW.

Before dadoing, loosen wing nut (A) Fig. 48 and take off the blade guard and splitter assembly (B). Keep assembly handy to replace it after dadoing.

⚠ WARNING AUXILIARY JIGS, FIXTURES, PUSH STICKS AND FEATHER BOARDS SHOULD BE USED.

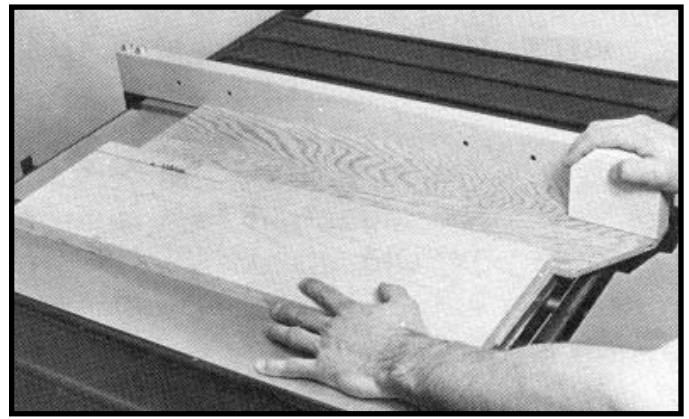


Fig. 45

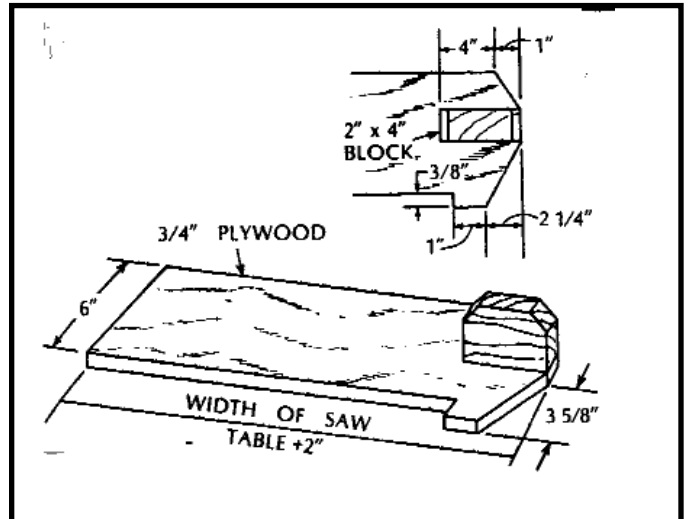


Fig. 46

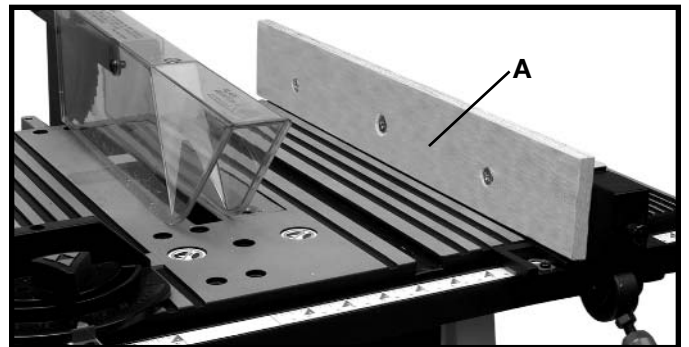


Fig. 47

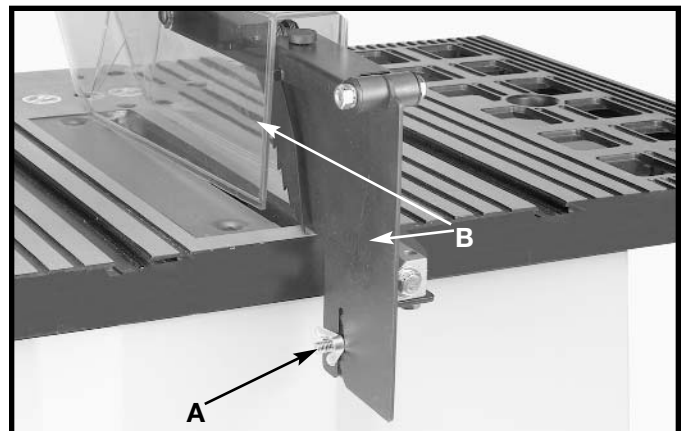


Fig. 48

1. Dadoing is cutting a rabbet or wide groove into the work. Most dado head sets are made up of two outside saws and four or five inside cutters, (Fig. 48A). Various combinations of saws and cutters are used to cut grooves from 1/8 inch to 13/16 inch for use in shelving, making joints, tenoning, grooving, etc. The cutters are heavily swaged and must be arranged so that this heavy portion falls in the gullets of the outside saws, as shown in Fig. 49. The saw and cutter overlap is shown in Fig. 50, (A) being the outside saw, (B) an inside cutter, and (C) a paper washer or washers, used as needed to control the exact width of groove. A 1/4 inch groove is cut by using the two outside saws. The teeth of the saws should be positioned so that the raker on one saw is beside the cutting teeth on the other saw.

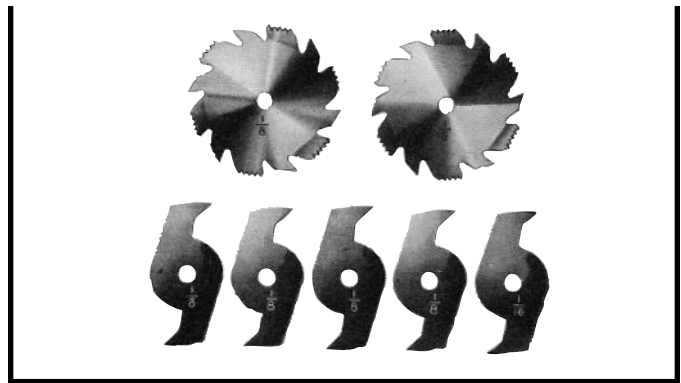


Fig. 48A

2. Attach the dado head set (D) Fig. 51, to the saw arbor.

NOTE: THE OUTSIDE ARBOR FLANGE CAN NOT BE USED WITH THE DADO HEAD SET, TIGHTEN THE ARBOR NUT AGAINST THE DADO HEAD SET BODY. DO NOT LOSE THE OUTSIDE ARBOR FLANGE. IT WILL BE NEEDED WHEN REATTACHING A BLADE TO THE ARBOR.

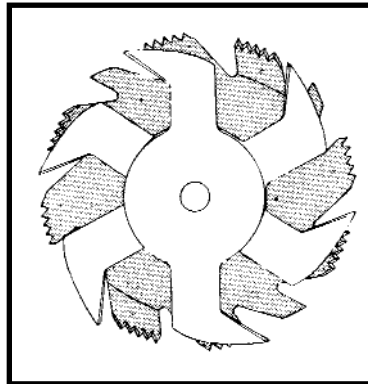


Fig. 49

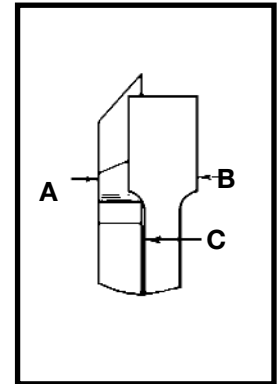


Fig. 50

CAUTION THE ACCESSORY DADO HEAD SET TABLE INSERT (E) FIG. 51, MUST BE USED IN PLACE OF THE STANDARD TABLE INSERT.

WARNING THE BLADE GUARD AND SPLITTER ASSEMBLY CANNOT BE USED WHEN DADOING AND MUST BE REMOVED OR SWUNG TO THE REAR OF THE SAW. AUXILIARY JIGS, FIXTURES, PUSH STICKS AND FEATHER BOARDS SHOULD ALSO BE USED.

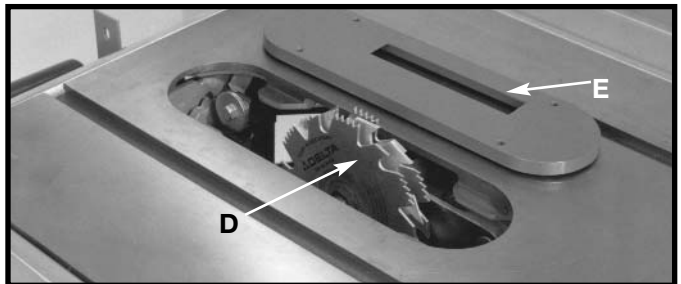


Fig. 51

3. Fig. 52, shows a typical dado operation using the miter gage as a guide.

CAUTION NEVER USE THE DADO HEAD IN A BEVEL POSITION.

WARNING ALWAYS INSTALL BLADE GUARD AFTER OPERATION IS COMPLETED.

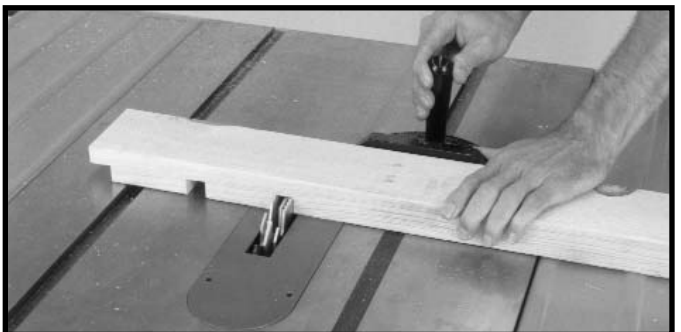


Fig. 52

CONSTRUCTING A PUSH STICK

When ripping work less than 4 inches wide, a push stick should be used to complete the feed and could be easily made from scrap material by following the pattern shown in Fig. 53.

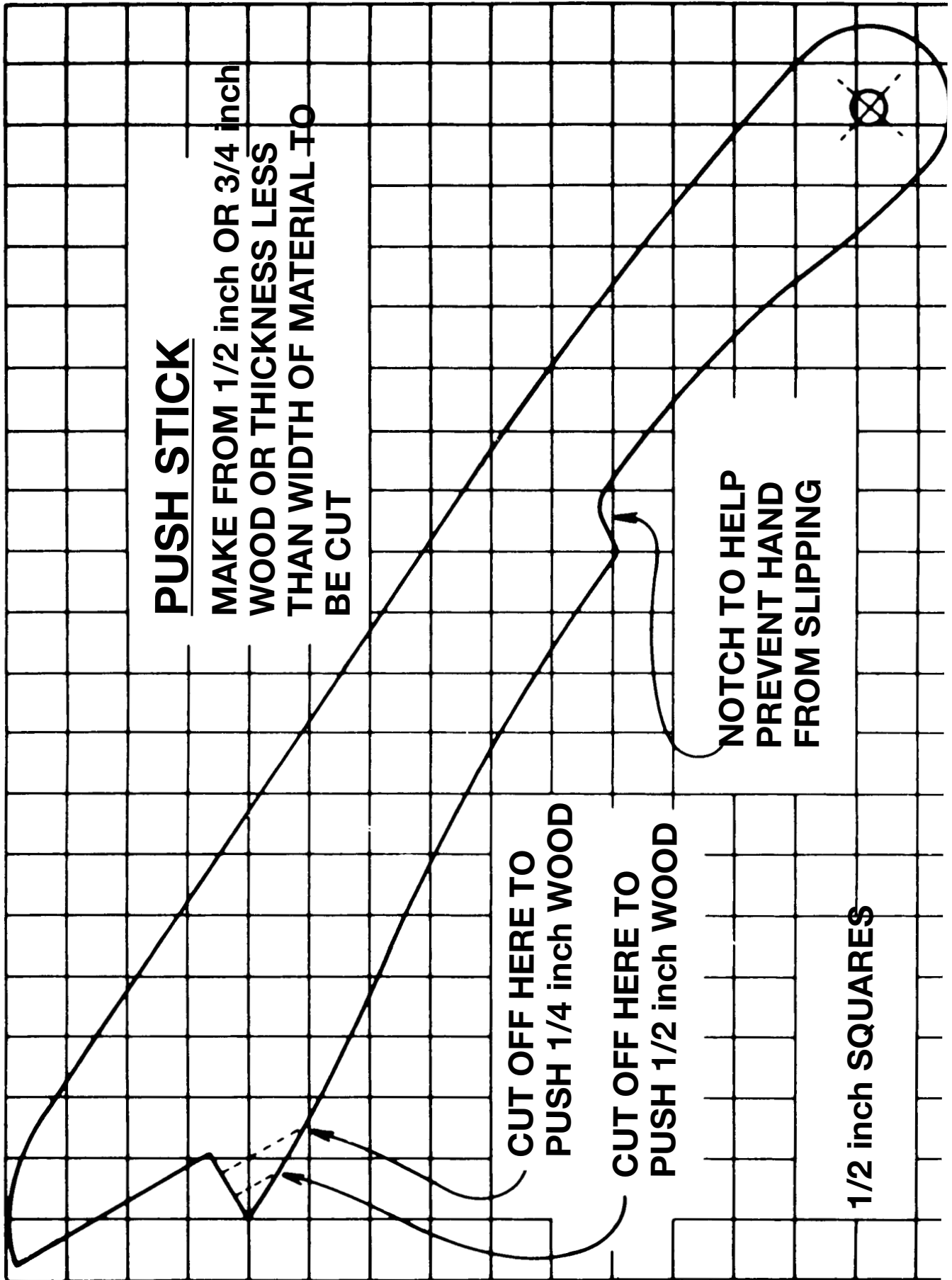


Fig. 53

CONSTRUCTING A FEATHERBOARD

Fig. 54, illustrates dimensions for making a typical featherboard. The material which the featherboard is constructed of, should be a straight piece of wood that is free of knots and cracks. Featherboards are used to keep the work in contact with the fence and table, as shown in Fig. 55, and help prevent kickbacks. Clamp the featherboards to the fence and table so that the leading edge of the featherboards will support the workpiece until the cut is completed. An 8 inch high flat board can be clamped to the rip fence and the featherboard can be clamped to the 8 inch high board. **⚠ WARNING Use featherboards for all non "thru-sawing" operations where the guard and splitter assembly must be removed. Always replace the guard and splitter assembly when the non thru-sawing operation is completed.**

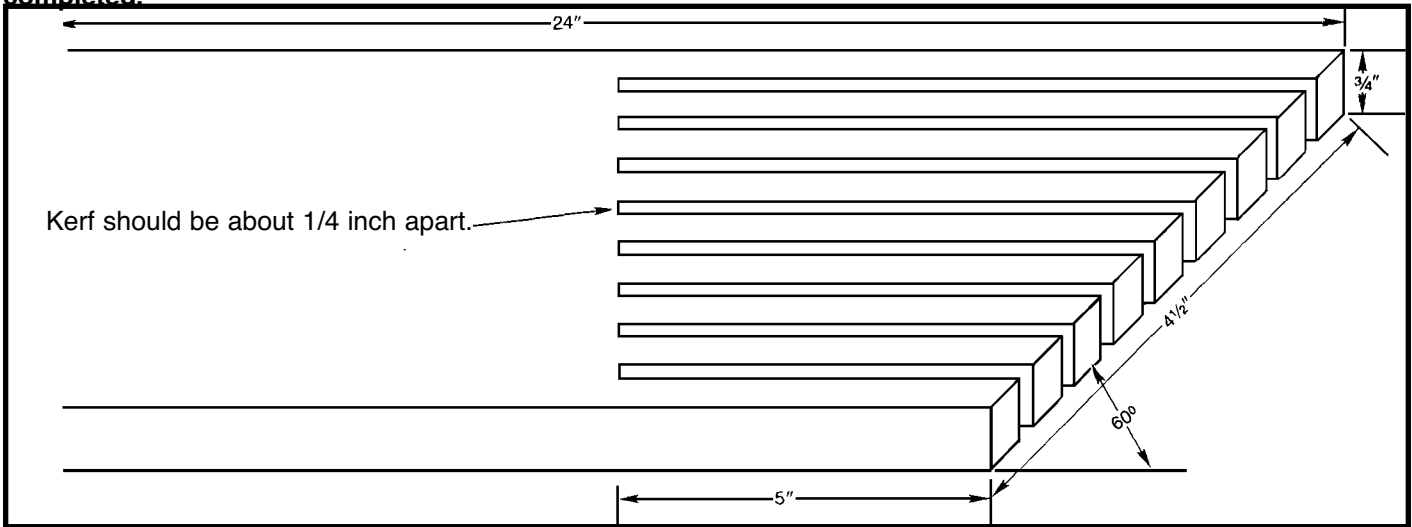


Fig. 54

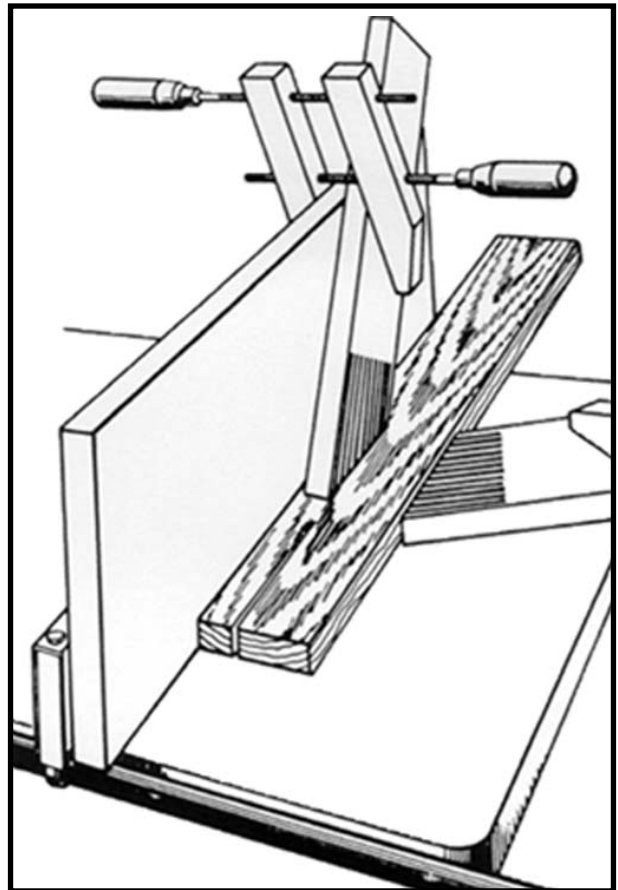


Fig. 55

TROUBLESHOOTING

BE SURE TO FOLLOW SAFETY RULES AND INSTRUCTIONS

TROUBLE! SAW WILL NOT START

WHAT'S WRONG?

- 1.Saw not plugged in.
- 2.Fuse blown or circuit breaker tripped.
- 3.Cord damaged.
- 4.Brushes worn out.

WHAT TO DO...

- 1.Plug in saw.
- 2.Replace fuse or reset circuit breaker.
- 3.Have cord replaced by authorized service center.
- 4.Have brushes replaced by authorized service center.

TROUBLE! SAW MAKES UNSATISFACTORY CUTS

WHAT'S WRONG?

- 1.Dull blade.
- 2.Blade mounted backwards.
- 3.Gum or pitch on blade.
- 4.Incorrect blade for work being done.

WHAT TO DO...

- 1.Replace blade.
- 2.Turn blade around.
- 3.Remove blade and clean with turpentine.
- 4.Change the blade.

TROUBLE! BLADE DOES NOT COME UP TO SPEED

WHAT'S WRONG?

- 1.Extension cord too light or too long.
- 2.Low house current.

WHAT TO DO...

- 1.Replace with adequate size cord.
- 2.Contact your electric company.

TROUBLE! MACHINE VIBRATES EXCESSIVELY

WHAT'S WRONG?

- 1.Stand or bench on uneven floor.
- 2.Damaged saw blade.

WHAT TO DO...

- 1.Reposition on flat level surface.
- 2.Replace blade.

MAINTENANCE

KEEP MACHINE CLEAN

Periodically blow out all air passages with dry compressed air. All plastic parts should be cleaned with a soft damp cloth. NEVER use solvents to clean plastic parts. They could possibly dissolve or otherwise damage the material.

▲WARNING Wear ANSI Z87.1 safety glasses while using compressed air.

FAILURE TO START

Should your machine fail to start, check to make sure the prongs on the cord plug are making good contact in the outlet. Also, check for blown fuses or open circuit breakers in the line.

LUBRICATION

Apply household floor paste wax to the machine table and extension table or other work surface weekly.

PROTECTING CAST IRON FROM RUST

To clean and protect cast iron tables from rust, you will need the following materials: 1 pushblock from a jointer, 1 sheet of medium Scotch-Brite™ Blending Hand Pad, 1 can of WD-40®, 1 can of degreaser, 1 can of TopCote® Aerosol. Apply the WD-40 and polish the table surface with the Scotch-Brite pad using the pushblock as a holddown. Degrease the table, then apply the TopCote® accordingly.

ACCESSORIES

Recommended accessories for use with your tool are available from your local dealer or authorized service center. If you need assistance regarding accessories, please call: 1-800-54-HOW-TO (544-6986). **▲WARNING** The use of any accessory not recommended for use with this tool could be hazardous.

SERVICE

All Black & Decker Service Centers are staffed with trained personnel to provide customers with efficient and reliable power tool service. Whether you need technical advice, repair, or genuine factory replacement parts, contact the Black & Decker location nearest you. To find your local service location, refer to the yellow page directory under "Tools—Electric" or call:

1-800-544-6986 or visit www.blackanddecker.com

WARRANTY

Full Two-Year Home Use Warranty

Black & Decker (U.S.) Inc. warrants this product for two years against any defects in material or workmanship. The defective product will be replaced or repaired at no charge in either of two ways.

The first, which will result in exchanges only, is to return the product to the retailer from whom it was purchased (provided that the store is a participating retailer). Returns should be made within the time period of the retailer's policy for exchanges (usually 30 to 90 days after the sale). Proof of purchase may be required. Please check with the retailer for their specific return policy regarding returns that are beyond the time set for exchanges.

The second option is to take or send the product (prepaid) to a Black & Decker owned or authorized Service Center for repair or replacement at our option. Proof of purchase may be required. Black & Decker owned and authorized Service Centers are listed under "Tools-Electric" in the yellow pages of the phone directory.

This warranty does not apply to accessories. This warranty gives you specific legal rights and you may have other rights which vary from state to state or province to province. Should you have any questions, contact the manager of your nearest Black & Decker Service Center. This product is not intended for commercial use.

Free warning label replacement: If your warning labels become illegible or are missing, call 1-800-544-6986 for a free replacement.

Black & Decker (U.S.) Inc.,
701 E. Joppa Rd.
Towson, MD 21286 U.S.A.



See 'Tools-Electric'
– Yellow Pages –
for Service & Sales



 **BLACK & DECKER®**

***SCIE CIRCULAIRE À TABLE DE
254 MM (10 PO) BD200SD***

MODE D'EMPLOI



MERCI D'AVOIR CHOISI BLACK & DECKER !
VISITEZ www.BLACKANDDECKER.COM/NEWOWNER
POUR ENREGISTRER VOTRE NOUVEAU PRODUIT.

AVANT DE RETOURNER CE PRODUIT POUR QUELQUE RAISON QUE CE SOIT,
COMPOSER LE NUMÉRO
SUIVANT : 1 800 544-6986

LIGNES DIRECTRICES EN MATIÈRE DE SÉCURITÉ – DÉFINITIONS

Il est important que vous lisiez et compreniez ce mode d'emploi. Les informations qu'il contient concernent VOTRE SÉCURITÉ et visent à ÉVITER TOUT PROBLÈME. Les symboles ci-dessous servent à vous aider à reconnaître cette information.



▲ DANGER

Indique une situation dangereuse imminente qui, si elle n'est pas évitée, causera la mort ou des graves blessures.

▲ AVERTISSEMENT

Indique une situation potentiellement dangereuse qui, si elle n'est pas évitée, pourrait causer la mort ou de graves blessures.

▲ ATTENTION

Indique une situation potentiellement dangereuse qui, si elle n'est pas évitée, pourrait causer des blessures mineures ou modérées.

ATTENTION

Utilisé sans le symbole d'alerte à la sécurité, indique une situation potentiellement dangereuse qui, si elle n'est pas évitée, peut résulter en des dommages à la propriété.

PROPOSITION 65 DE LA CALIFORNIE

▲ AVERTISSEMENT Certaines poussières produites par les activités de ponçage, de sciage, de meulage, de perçage et autres activités de construction peuvent contenir des produits chimiques pouvant causer le cancer, des anomalies congénitales ou d'autres problèmes liés aux fonctions reproductrices. Voici quelques exemples de ces produits chimiques :

- le plomb contenu dans les peintures à base de plomb;
- la silice cristalline de la brique, du ciment et d'autres produits de maçonnerie ; et
- l'arséniate de cuivre et de chrome provenant du bois traité chimiquement.

Les risques liés à l'exposition à ces poussières varient selon la fréquence à laquelle l'utilisateur travaille avec ce type de matériaux. Pour réduire votre exposition à ces produits chimiques, travaillez dans un endroit bien ventilé et portez un équipement de sécurité approuvé comme un masque anti-poussières conçu spécialement pour filtrer les particules microscopiques.

- Éviter le contact prolongé avec les poussières produites par les activités de ponçage, sciage, meulage, perçage et autres activités de construction. Porter des vêtements de protection et laver les parties du corps exposées avec une solution d'eau et de savon. Le fait de laisser la poussière pénétrer dans la bouche et les yeux ou de la laisser reposer sur la peau, peut promouvoir l'absorption de produits chimiques nocifs.

L'utilisation de cet outil peut produire et/ou disperser de la poussière, ce qui peut causer des problèmes respiratoires graves et permanents ou d'autres problèmes médicaux. Toujours porter un appareil respiratoire approuvé par la NIOSH/OSHA pour se protéger de la poussière. Diriger les particules loin du visage et du corps.

Porter un dispositif de protection anti-bruit pendant l'utilisation de l'outil. Dans certaines conditions et selon la durée d'utilisation, le bruit provoqué par ce produit peut contribuer à une perte auditive.

CONSERVER CES DIRECTIVES !

RÈGLES GÉNÉRALES DE SÉCURITÉ



AVERTISSEMENT LIRE ATTENTIVEMENT TOUTES LES MISES EN GARDE ET DIRECTIVES D'UTILISATION AVANT D'UTILISER CET ÉQUIPEMENT. À défaut de suivre les directives sous mentionnées, un choc électrique, un incendie, des dommages ou une blessure corporelle grave pourraient survenir.

DIRECTIVES DE SÉCURITÉ IMPORTANTES

- POUR SA PROPRE SÉCURITÉ, LIRE LE MODE D'EMPLOI AVANT D'UTILISER L'OUTIL.** L'apprentissage de l'utilisation de cet outil, des restrictions, et des risques qui lui sont propres réduit grandement la possibilité d'accidents et de blessures.
- PORTER DES PROTECTIONS OCULAIRE ET AUDITIVE. TOUJOURS PORTER DES LUNETTES DE SÉCURITÉ.** Les lunettes de vue NE constituent PAS des lunettes de sécurité. **UTILISER UN ÉQUIPEMENT DE SÉCURITÉ HOMOLOGUÉ.** L'équipement de protection oculaire doit se conformer aux normes ANSI Z87.1. L'équipement de protection auditive doit se conformer aux normes ANSI S3.19.
- PORTER LES VÊTEMENTS APPROPRIÉS.** Ne pas porter de vêtement ample, ni gant, ni cravates, ni bague, ni bracelet, ni autre bijou, car ces derniers pourraient s'enchevêtrer dans des pièces mobiles. Le port de chaussures antidérapantes est recommandé. Se couvrir les cheveux s'ils sont longs.
- NE PAS UTILISER CET OUTIL DANS UN ENVIRONNEMENT DANGEREUX.** L'utilisation d'outils électriques dans des endroits humides ou mouillés ou sous la pluie peut provoquer un choc électrique ou l'électrocution. Tenir la zone de travail bien éclairée pour éviter de trébucher ou de mettre vos bras, mains et doigts en danger.
- CONSERVER TOUS LES OUTILS ET MACHINES DANS LE MEILLEUR ÉTAT POSSIBLE.** S'assurer que vos outils sont aiguisés et propres afin d'optimiser sécurité et performance. Suivre les consignes de graissage et de changement d'accessoires. Les outils et machines mal entretenus peuvent s'endommager davantage et/ou provoquer des blessures.
- VÉRIFIER QUE LES PIÈCES NE SONT PAS ENDOMMAGÉES.** Avant d'utiliser la machine, vérifier qu'aucune pièce n'est endommagée. Vérifier l'alignement des pièces mobiles, la présence de grippage des pièces mobiles, de bris de pièces et tout autre problème pouvant nuire au fonctionnement de l'outil. Un dispositif de protection ou toute autre pièce qui pourrait être endommagé(e) doit être réparé(e) ou remplacé(e) correctement. Les pièces endommagées peuvent contribuer à endommager davantage l'appareil et/ou provoquer des blessures.
- GARDER LA ZONE DE TRAVAIL PROPRE.** Les zones et établis encombrés sont souvent des causes d'accidents.
- ÉLOIGNER LES ENFANTS ET LES VISITEURS.** L'atelier représente un environnement potentiellement dangereux. Les enfants et les visiteurs peuvent être blessés.
- RÉDUIRE LE RISQUE DE DÉMARRAGE ACCIDENTEL.** S'assurer que l'interrupteur se trouve sur la position d'arrêt avant de brancher le cordon d'alimentation. En cas de panne de courant, mettre l'interrupteur sur la position d'arrêt. Un démarrage accidentel peut provoquer des blessures.
- UTILISATION DES DISPOSITIFS DE PROTECTION.** Vérifier que tous les dispositifs de protection sont en place, fixés, et qu'ils fonctionnent correctement afin de réduire tout risque de blessure.
- RETIRER LES CLÉS ET LES CLÉS DE RÉGLAGE.**
AVANT LE DÉMARRAGE DE L'APPAREIL. Des outils, chutes, et autres débris peuvent être projetés à grande vitesse, provoquant des blessures.
- UTILISATION DE L'OUTIL APPROPRIÉ.** Ne pas forcer un appareil ou un accessoire pour accomplir un travail pour lequel il n'est pas conçu. Cela pourrait endommager l'appareil et/ou causer des blessures.
- UTILISATION DES ACCESSOIRES RECOMMANDÉS.**
L'utilisation d'accessoires non recommandés pourrait endommager l'appareil ou blesser l'utilisateur.
- UTILISER LA RALLONGE APPROPRIÉE.** S'assurer que la rallonge est en bon état. En utilisant une rallonge, s'assurer d'utiliser une rallonge assez lourde pour le transport du courant nécessaire au fonctionnement du produit. Une rallonge sousdimensionnée provoquera une chute de tension menant ainsi à une perte de courant et une surchauffe. Se reporter au tableau des rallonges électriques pour connaître le calibre approprié à utiliser selon la longueur de la rallonge et l'intensité nominale de la plaque signalétique. En cas de doute, utiliser le calibre suivant le plus gros. Plus le numéro de calibre est petit, plus la rallonge est lourde.
- FIXER LA PIÈCE.** Utiliser des pinces ou un étau pour maintenir la pièce lorsque c'est possible. La perte de contrôle d'une pièce peut provoquer des blessures.
- ACHEMINER LA PIÈCE À CONTRE-COURANT DU SENS DE ROTATION DE LA LAME, DE LA FRAISE, OU DE LA SURFACE ABRASIVE.** En l'acheminant à contresens, la pièce sera projetée à grande vitesse.
- NE PAS FORCER LA PIÈCE SUR L'APPAREIL.** Cela pourrait endommager l'appareil et/ou causer des blessures.
- NE PAS TROP TENDRE LES BRAS.** Une perte d'équilibre peut vous faire tomber sur une machine en fonctionnement provoquant ainsi des blessures.
- NE JAMAIS SE TENIR DEBOUT SUR L'APPAREIL.** Si l'outil bascule, ou si vous touchez accidentellement l'outil de coupe, vous pouvez être blessé.
- NE JAMAIS LAISSER LA MACHINE FONCTIONNER SANS SURVEILLANCE. ÉTEINDRE L'APPAREIL.** Ne pas laisser l'appareil tant qu'il ne soit pas complètement arrêté. Un enfant ou un visiteur pourrait être blessé.
- ÉTEINDRE L'APPAREIL ET COUPER LE COURANT** avant d'installer ou de retirer des accessoires, avant tout réglages ou modifications de celles-ci ou lors de réparation. Un démarrage accidentel peut provoquer des blessures.
- METTRE L'ATELIER À L'ÉPREUVE DES ENFANTS AVEC DES CADENAS, DES INTERRUPTEURS PRINCIPAUX OU EN RETIRANT LES CLÉS DE DÉMARRAGE.** Le démarrage accidentel d'un appareil par un enfant ou par un visiteur peut causer des blessures.
- DEMEURER VIGILANT, SURVEILLER LE TRAVAIL EFFECTUÉ, ET FAIRE PREUVE DE JUGEMENT. NE PAS UTILISER L'APPAREIL EN CAS DE FATIGUE OU SOUS L'INFLUENCE DE DROGUES, D'ALCOOL, OU DE MÉDICAMENTS.** Un moment d'inattention, en utilisant des outils électriques, peut se solder par des blessures.
- AVERTISSEMENT** L'UTILISATION DE CET OUTIL PEUT PRODUIRE ET/OU DISPERSER DE LA POUSSIÈRE OU D'AUTRES PARTICULES EN SUSPENSION, Y COMPRIS LA POUDRE DE BOIS, LA POUSSIÈRE DE SILICE CRISTALINE ET D'AMIANTE. Diriger les particules loin du visage et du corps. Toujours utiliser l'outil dans des endroits bien aérés et veiller à le dépoussiérer correctement. Utiliser un système de dépoussiérage lorsque c'est possible. L'exposition à la poussière peut provoquer des troubles respiratoires graves et permanents ou d'autres blessures, et notamment une silicose (maladie pulmonaire grave), un cancer, ou encore la mort. Éviter de respirer la poussière et éviter tout contact prolongé avec la poussière.
Le fait de laisser la poussière pénétrer dans la bouche et les yeux ou de la laisser reposer sur la peau, peut promouvoir l'absorption de produits chimiques nocifs. Toujours porter toujours un appareil respiratoire homologué par la NIOSH/OSHA adéquat et correctement ajusté pour se protéger des poussières et laver les régions exposées avec de l'eau et du savon.

RÈGLES DE SÉCURITÉ SPÉCIFIQUES SUPPLÉMENTAIRES



AVERTISSEMENT LIRE ATTENTIVEMENT TOUTES LES MISES EN GARDE ET DIRECTIVES D'UTILISATION AVANT D'UTILISER CET ÉQUIPEMENT. A défaut de suivre les directives sous mentionnées, un choc électrique, un incendie, des dommages ou une blessure corporelle grave pourraient survenir.

1. **NE PAS UTILISER CET OUTIL AVANT** qu'il ne soit assemblé et installé conformément aux instructions.
2. **CONSULTER LE SUPERVISEUR**, instructeur, ou autre personne qualifiée si vous n'êtes pas familiarisé avec le fonctionnement de cet outil.
3. **SUIVRE TOUS LES CODES DE CÂBLAGE** et les connexions électriques recommandées.
4. **UTILISER LES DISPOSITIFS DE PROTECTION CHAQUE FOIS QUE POSSIBLE.** Vérifier qu'ils sont bien en place et fixés et fonctionnent correctement.
5. **LE REBOND EST LA TENDANCE NATURELLE DE LA PIÈCE DE REVENIR VERS L'OPÉRATEUR** lorsque la pièce entre en contact pour la première fois avec la lame ou si la pièce pince la lame. L'effet de rebond est dangereux et peut se solder par de graves blessures.
POUR ÉVITER L'EFFET DE REBOND :
 - A. maintenir la lame affûtée et libre de rouille et de résine.
 - B. garder le guide longitudinal parallèle à la lame de la scie.
 - C. utiliser le dispositif de protection de lame et dispositif d'écartement pour toutes les opérations possibles, y compris pour tous les débitages complets.
 - D. pousser la pièce au-delà de la lame de scie avant de dégager.
 - E. ne jamais scier en long une pièce qui est tordue ou voilée, ou qui n'a pas de bord droit pour glisser le long du guide.
 - F. utiliser des planches en éventail lorsqu'on ne peut pas utiliser les dispositifs anti-effet de rebond.
 - G. ne jamais scier une grande pièce qui ne peut pas être contrôlée.
 - H. ne jamais utiliser le guide comme guide longitudinal pour le tronçonnage.
 - I. ne jamais scier une pièce avec des J35 détachés ou autres défauts.
6. **TOUJOURS UTILISER DES PARE-MAINS, UN COUTEAU SÉPARATEUR ET DES DOIGTS ANTI-EFFET DE REBOND** si possible.
7. **DÉGAGER LA TABLE DES PIÈCES COUPÉES ET CHUTE** avant de démarrer la scie. La vibration de l'appareil pourrait les entraîner vers la lame de scie et les projeter. Après la coupe, éteindre la machine. Une fois la lame complètement immobilisée, enlever tous les débris.
8. **NE JAMAIS DÉMARRER L'APPAREIL** avec la pièce contre la lame.
9. **NE JAMAIS** acheminer la pièce entre le guide et la fraise à moulurer.
10. **LA COUPE DE PIÈCE SANS GUIDE OU DE JAUGE À ONGLET EST CONNUE SOUS LE NOME DE COUPE « À MAINS LIBRES ».** NE JAMAIS effectuer d'opération « à mains libres ». Utiliser soit le guide ou la jauge à onglet pour positionner et guider le travail.
11. **TENIR SOLIDEMENT LA PIÈCE** contre la jauge à onglet ou le guide.
12. **LA COUPE D'UNE PIÈCE DE PART ET D'AUTRE EST CONNUE COMME UN « DÉBITAGE COMPLET ».**
Le sciage en long et le tronçonnage sont des opérations de débitage complet. La coupe dans le sens du grain (ou le long de la pièce) est un sciage en long. La coupe à contrefil (ou en sens transversal) est un tronçonnage. Utiliser un guide ou un système de guide pour le sciage en long. NE PAS utiliser un guide ou un système de guide pour le tronçonnage. Utiliser plutôt une jauge à onglet. **UTILISER UN (DES) POUSSOIR(S)** pour scier en long une pièce étroite.
13. **ÉVITER LES OPÉRATIONS MALADROITES ET ÉVITER DE PLACER LES MAINS À UN ENDROIT** où un glissement soudain pourrait amener la main sur la lame.
14. **GARDER LES BRAS, LES MAINS, ET LES DOIGTS** éloignés de la lame.
15. **NE JAMAIS** laisser de partie du corps dans le passage de la lame de scie.
16. **NE JAMAIS S'INCLINER AUTOUR** ou au-dessus de la lame de scie.
17. **NE JAMAIS** tenter de débloquer une lame coincée sans éteindre l'appareil au préalable.
18. **SOUTENIR CORRECTEMENT LES PIÈCES LONGUES OU LARGES.**
19. **NE JAMAIS EFFECTUER D'OPÉRATIONS DE TRAÇAGE**, d'assemblage, ou de réglage sur la table/l'espace de travail lorsque l'appareil est en marche.
20. **ÉTEINDRE L'APPAREIL ET COUPER LE COURANT** avant d'installer ou de retirer des accessoires, avant tout réglages ou modifications de celles-ci ou lors de réparation.
21. **ÉTEINDRE L'APPAREIL** ET couper le courant, et nettoyer la table/l'espace de travail avant de quitter la machine. **VERROUILLER L'INTERRUPTEUR EN POSITION « D'ARRÊT »** pour éviter toute utilisation non autorisée.
22. **DES INFORMATIONS SUPPLÉMENTAIRES** à propos de l'utilisation sans danger et appropriée des outils électriques (p. ex. une vidéo sur la sécurité) sont disponibles auprès du Power Tool Institute, 1300 Sumner Avenue, Cleveland, OH É.-U. 44115-2851 (www.powertoolinstitute.com). Des informations sont également disponibles auprès du National Safety Council, 1121 Spring Lake Drive, Itasca, IL 60143-3201, É.-U. Se reporter à la norme ANSI 01.01 de l'American National Standards Institute concernant les machines de travail du bois, ainsi que la réglementation OSHA 1910.213 du département américain du travail.

CONSERVER CES DIRECTIVES.

Les consulter souvent et les utiliser pour donner des directives aux autres.

CONNEXIONS ELECTRIQUES

Un circuit électrique séparé doit être utilisé pour vos machines. Ce circuit doit utiliser un câble de calibre 12 au minimum et doit être protégé par un fusible temporisé de 20 A. Si vous utilisez une rallonge électrique, n'utiliser que des rallonges à 3 fils pourvues d'une fiche de mise à la terre à 3 lames et un réceptacle correspondant à la fiche de la machine. Avant de brancher la machine sur le secteur, s'assurer que le ou les interrupteurs sont en position d'arrêt et veiller à ce que le courant électrique ait bien les mêmes caractéristiques que celles indiquées sur la machine. Tous les branchements doivent établir un bon contact. Si la machine fonctionne à basse tension, elle peut être endommagée.

⚠ AVERTISSEMENT RISQUE DE CHOC ÉLECTRIQUE. NE PAS EXPOSER LA MACHINE À LA PLUIE NI L'UTILISER DANS UN ENDROIT HUMIDE.

DIRECTIVES DE MISE À LA TERRE

⚠ AVERTISSEMENT RISQUE DE CHOC ÉLECTRIQUE. CETTE MACHINE DOIT ÊTRE MISE À LA TERRE LORS DE SON UTILISATION AFIN DE PROTÉGER L'UTILISATEUR CONTRE TOUT CHOC ÉLECTRIQUE.

Votre machine est conçue pour être alimentée par un courant alternatif de 120 volts et 60 Hz. Avant de brancher la machine à la source d'alimentation, s'assurer que l'interrupteur est en position d'arrêt.

1. Pour toutes les machines mises à la terre, branchées à un cordon d'alimentation :

En cas de défaillance ou de panne, la mise à la terre permet un cheminement de moindre résistance pour le courant électrique afin de réduire le risque de choc électrique. Cette machine est munie d'un cordon d'alimentation doté d'un conducteur de mise à la terre d'équipement et d'une fiche de mise à la terre. La fiche doit être branchée sur une prise de courant correspondante qui est installée et mise à la terre conformément à tous les codes et à toutes les ordonnances à l'échelle locale.

Ne pas modifier la fiche fournie; si elle ne s'insère pas dans la prise de courant, faire installer une prise appropriée par un électricien professionnel.

Si le conducteur de mise à la terre d'équipement n'est pas correctement connecté, ceci peut provoquer un choc électrique. Le conducteur de mise à la terre d'équipement est le conducteur avec isolation qui a une surface extérieure verte à rayures jaunes (ou sans). S'il est nécessaire de faire réparer ou remplacer le cordon électrique ou la fiche, ne pas connecter le conducteur de mise à la terre d'équipement à une borne sous tension.

Vérifier auprès d'un électricien ou d'un personnel de réparation professionnels si les directives de mise à la terre ne sont pas parfaitement comprises, ou en cas de doute sur le fait que la machine soit correctement mise à la terre ou non.

Utiliser uniquement une rallonge à 3 fils pourvue d'une fiche de mise à la terre à 3 lames et une prise à 3 conducteurs correspondant à la fiche de la machine, comme le montre la fig. A.

Réparer ou remplacer immédiatement le cordon s'il est endommagé ou usé.

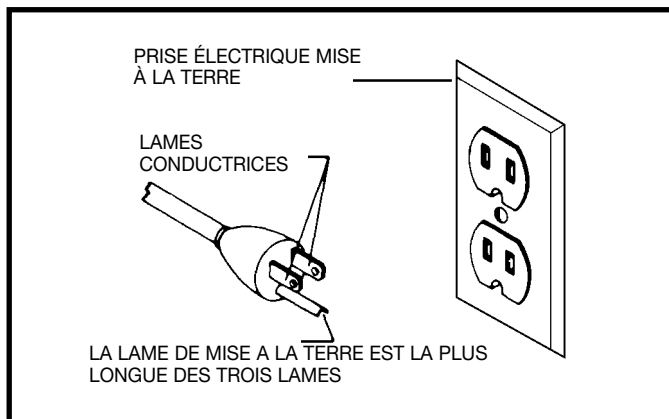


Fig. A

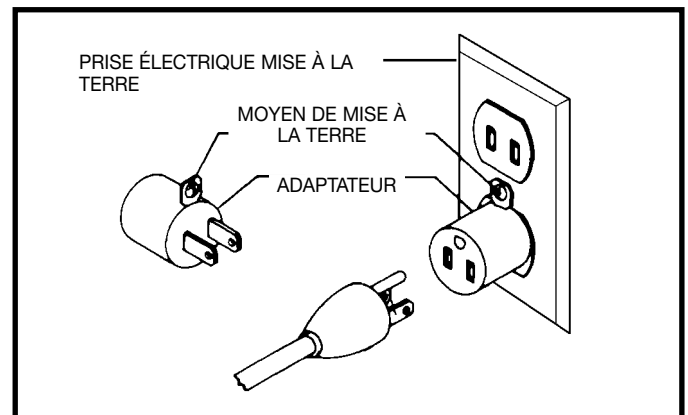


Fig. B

2. Pour les machines mises à la terre et branchées à un cordon d'alimentation utilisées sur un circuit d'alimentation de régime nominal inférieur à 150 V :

Si la machine est utilisée sur un circuit dont la prise de courant ressemble à celle de la figure A, la machine aura alors une fiche de mise à la terre semblable à celle de la figure A. Un adaptateur temporaire, qui ressemble à celui de la figure B, peut être utilisé pour connecter cette fiche à une prise à 2 conducteurs, comme le montre la figure B, s'il n'existe aucune prise de courant correctement mise à la terre. L'adaptateur temporaire ne doit être utilisé que jusqu'à ce qu'un électricien qualifié puisse installer une prise électrique correctement mise à la terre. L'oreille rigide et la cosse de couleur verte (et tout ensemble semblable) dépassant de l'adaptateur doivent être connectées à une mise à la terre permanente, telle qu'une prise correctement mise à la terre. Chaque fois que l'adaptateur est utilisé, il doit être maintenu en place par une vis métallique.

REMARQUE : au Canada, l'utilisation d'un adaptateur temporaire n'est pas autorisée par le Code électrique canadien.

RISQUE DE CHOC ÉLECTRIQUE. DANS TOUS LES CAS, S'ASSURER QUE LA PRISE DE COURANT EN

⚠ AVERTISSEMENT QUESTION EST CORRECTEMENT MISE À LA TERRE. SI VOUS N'EN ÊTES PAS SÛR, DEMANDEZ À UN ÉLECTRICIEN PROFESSIONNEL DE VÉRIFIER LA PRISE.

RALLONGES ÉLECTRIQUES

⚠ AVERTISSEMENT Utiliser les rallonges appropriées. S'assurer que la rallonge est en bon état et qu'il s'agit d'une rallonge à 3 fils avec une fiche de mise à la terre à 3 broches et prise de courant compatible avec la fiche de l'appareil. Lorsque qu'une rallonge est utilisée, s'assurer d'en utiliser une de calibre suffisamment élevé pour assurer le transport du courant de l'appareil. Une rallonge sousdimensionnée provoquera une chute de tension menant ainsi à une perte de courant et une surchauffe. La figure C montre le bon calibre à utiliser selon la longueur de la rallonge.

En cas de doute, utiliser le calibre suivant le plus gros. Plus le numéro de calibre est petit, plus le cordon est lourd.

RALLONGE DE CALIBRE MINIMUM			
CALIBRES RECOMMANDÉS POUR UNE UTILISATION AVEC DES MACHINES ÉLECTRIQUES D'ÉTABLI			
Intensité nominale	Volts	Longueur totale du cordon en pieds	Calibre de la rallonge
0-6	120	jusqu'à 25	18 AWG
0-6	120	25-50	16 AWG
0-6	120	50-100	16 AWG
0-6	120	100-150	14 AWG
6-10	120	jusqu'à 25	18 AWG
6-10	120	25-50	16 AWG
6-10	120	50-100	14 AWG
6-10	120	100-150	12 AWG
10-12	120	jusqu'à 25	16 AWG
10-12	120	25-50	16 AWG
10-12	120	50-100	14 AWG
10-12	120	100-150	12 AWG
12-16	120	jusqu'à 25	14 AWG
12-16	120	25-50	12 AWG
12-16	120	SUPÉRIEURE À 50 PIEDS NON RECOMMANDÉE	

Fig. C

DESCRIPTION FONCTIONNELLE

INTRODUCTION

Modèle BD200SD est une scie de table de 254 mm (10 po) conçue pour vous offrir une performance de haute qualité avec une profondeur de coupe jusqu'à 76 mm (3 po) à 90°, et 51 mm (2 po) à 45°, pour une coupe nette des pièces de taille standard.

AVIS : LA PHOTO DE LA COUVERTURE DU MODE D'EMPLOI ILLUSTRE LE MODÈLE DE PRODUCTION ACTUEL. LES AUTRES ILLUSTRATIONS DE CE MODE D'EMPLOI NE SONT PRÉSENTES QU'À TITRE INDICATIF ET IL EST POSSIBLE QUE LA COULEUR, LES ÉTIQUETTES, OU LES ACCESSOIRES, QUI ONT UNIQUEMENT POUR BUT D'ILLUSTRER LA TECHNIQUE, DIFFÉRENT DES CARACTÉRISTIQUES RÉELLES DE CE MODÈLE.

CONTENU DU CARTON

PIÈCES POUR SCIE D'ÉTABLI MOTORISÉE

La figure 1 illustre la scie hors de son emballage.

Les figures 2 et 3 illustrent les autres pièces emballées avec la scie. La figure 4 illustre les autres pièces emballées pour le socle.

Figure 2 Pièces

1. Guide longitudinal
2. Assemble couteau séparateur/pare-main
3. Poignée de blocage pour le guide longitudinal
4. Volant pour lever ou baisser la lame
5. Jauge à onglet
6. Palier support du couteau séparateur
7. Support du couteau séparateur
8. Poignée du volant servant à lever ou baisser la lame
9. Porte-jauge à onglet
10. Attache à ressort du porte-jauge à onglet
11. Clé de la lame

Figure 3 Quincaillerie

1. (1) Vis à tête cylindrique à dépouille M6x1x55 mm
2. (1) Vis à tête hexagonale de 1/4-20x2 po
3. (1) Vis à tête hexagonale de M6x de 1 x 20 mm
4. (2) Vis à tête hexagonale de 1/4-20 x 1/2 po
5. (1) Vis à tête plate de M6x1x12 mm
6. (1) Vis à tête cylindrique à dépouille de M4x0,7x10 mm
7. (4) Vis à tête cylindrique à dépouille de M4x2x10 mm
8. (1) Écrou hexagonal M8x1,25
9. (1) Écrou à oreilles M6x1
10. (1) Écrou hexagonal M4,7
11. (3) Rondelles plates M6,4
12. (1) Rondelle à denture intérieure de 1/4 po (6,4 mm)
13. (5) Rondelle à denture intérieure de 1/4 po (6,4 mm)
14. (4) Rondelles plates de 3/16 po (4,8 mm)
15. (1) Rondelle plate à denture extérieure de 3/16 po (4,8 mm)

Fig. 4 Quincaillerie pour le socle

1. (4) pattes (dont 2 sont perforées à la base pour la fixation du support de roue et de la traverse)
2. (24) Rondelles plates de 3/8 po (4,8 mm) pour fixer la scie à un socle et assembler le socle
3. (4) Pattes
4. (20) Écrous hexagonaux de M8x1,25 pour fixer la scie à un socle et assembler le socle.
5. (4) Vis hexagonales de M8x1,25x45 mm pour fixer la scie au socle
6. (16) Boulons de carrosserie de M8x1,25x20 mm pour assembler le socle
7. (2) Supports supérieurs avant et arrière de 18-1/2 po (47 cm)
8. (2) Supports supérieurs latéraux de 17 po (43,2 cm)
9. (2) Supports inférieurs avant et arrière de 22 po (55,9 cm)
10. (2) Supports inférieurs latéraux de 20-3/8 po (51,3 cm)
11. (2) modules de roues
12. (1) traverse de 635 mm (25 po)

DÉSEMBALLAGE ET NETTOYAGE

Désemballer soigneusement la machine et toutes les pièces de ou des emballage(s) d'expédition. Retirer le revêtement protecteur de toutes les surfaces non peintes. Le revêtement peut être retiré avec un chiffon doux humidifié avec du kérosène (ne pas utiliser d'acétone, d'essence ou de diluant à laque). Après le nettoyage, couvrir les surfaces non peintes d'une cire à parquets d'usage domestique de bonne qualité.

ASSEMBLAGE

OUTILS NÉCESSAIRES POUR L'ASSEMBLAGE

(Aucun n'est fourni)

* Tournevis à tête cruciforme

* Clé de 13 mm pour les boulons du socle

* Clé de 10 mm pour les boulons d'assemblage du couteau séparateur

* Règle droite et/ou équerre de charpente pour les réglages

DURÉE ESTIMÉE POUR L'ASSEMBLAGE : 1 heure

SURFACES DE LEVAGE ET DE SUPPORT POUR UNE SCIE SANS SOCLE

⚠ AVERTISSEMENT LA SCIE DOIT ÊTRE CORRECTEMENT FIXÉE SUR UNE SURFACE DE SUPPORT. DE MÊME, LE TROU LAISSANT PASSER ET ENLEVANT LA SCIURE EST NÉCESSAIRE POUR EMPÊCHER CELLE-CI DE S'ACCUMULER AUTOUR DU MOTEUR, PROVOQUANT UN RISQUE D'INCENDIE ET/OU L'ENDOMMAGEMENT DU MOTEUR.

⚠ AVERTISSEMENT DÉBRANCHER L'APPAREIL DE LA SOURCE D'ALIMENTATION.

La scie doit être suffisamment élevée pour que la sciure tombe par le bas de la scie sans accumulation autour du moteur.

Positionner les quatre trous de montage à la base de l'armoire de la scie (dont deux sont illustrés en (A) fig. 4A sur le support que vous utiliser. Puis fixer la scie solidement sur les supports. La scie se fixe en attachant le socle à travers les trous de montage avec la visserie appropriée (non fournie).

⚠ AVERTISSEMENT LE SUPPORT DE LA SCIE DOIT ÊTRE STABLE ET POUVOIR SUPPORTER 136 KG (300 LBS).

Il est également possible de construire un simple support élevé comme le montre la figure 4B.

⚠ AVERTISSEMENT UTILISER UN CONTREPLAQUÉ DE BONNE QUALITÉ D'AU MOINS 19 MM (3/4 PO) D'ÉPAISSEUR. NE PAS FABRIQUER LA PLANCHE DE MONTAGE À PARTIR D'AGGLOMÉRÉ DE BOIS CAR CELUI-CI SE FEND FACILEMENT.

⚠ AVERTISSEMENT IL FAUT PRÉVOIR UN TROU DANS CE SUPPORT POUR LAISSER LA SCIURE TOMBER.

Aligner la scie sur la surface de support et marquer l'emplacement pour percer quatre trous de 5/16 po (7,9 mm) (figure 4B).

⚠ AVERTISSEMENT S'ASSURER QU'IL Y A AU MOINS 76 mm (3 po) DES QUATRE CÔTÉS DE LA BASE.

Poser la scie à l'écart, puis percer des trous à l'emplacement de ces marques. Marquer l'emplacement

d'un carré de 279 mm (11 po) ou 304 mm (12 po) de côté, au centre des quatre trous de montage. Découper et retirer le carré (fig. 4B). Pour élever la surface de support, mesurer deux 2 x 4 (A), fig. 4B, selon la largeur de deux côtés opposés de la surface de support. Fixer la surface de support sur les arêtes étroites des 2 x 4 (comme indiqué à la fig. 4B) à l'aide de vis à bois (non fournies), à au moins trois endroits (B), fig. 4B, sur chaque côté.

Fixer la scie sur la surface en insérant la quincaillerie adéquate (non fournie) dans les trous de montage pratiqués dans la scie et dans les trous précédemment percés. Pendant l'utilisation de la scie, retirer régulièrement la sciure qui s'est accumulée sous la scie.

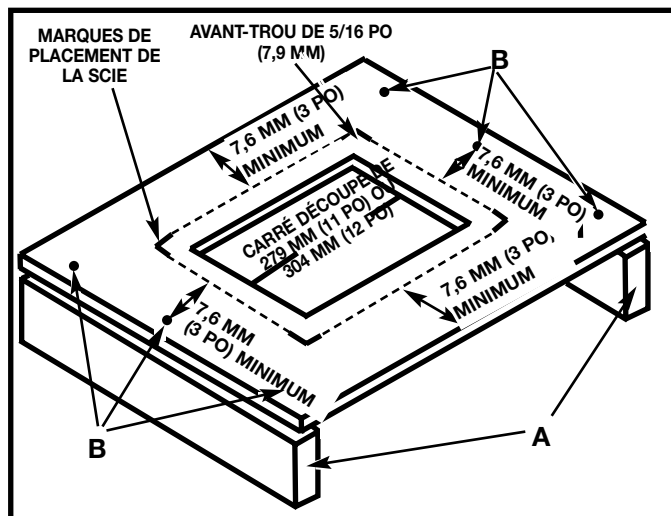


Fig. 4B

FIXATION DU PORTE-JAUGE A ONGLET

⚠ AVERTISSEMENT DÉBRANCHER L'APPAREIL DE LA SOURCE D'ALIMENTATION.

1. Fixer l'attache à ressort (E) fig. 5 du porte-jauge à onglet (A) en utilisant une vis à tête cylindrique de M4x de 0,7 x 10 mm (F), une rondelle à denture extérieure de 3/16 po (4,8 mm), (B) et un écrou hexagonal M4x de 0,7.
REMARQUE : l'écrou hexagonal (G) fig. 6 s'ajustera dans le retrait à l'arrière du porte-jauge à onglet (A) fig. 5 pour garder l'attache à ressort (E) fixée solidement au porte-jauge à onglet.
2. Fixer le porte-jauge à onglet (A) fig. 7 au côté gauche de l'armoire de la scie à l'aide de quatre vis M4x de 0,2 x 10 mm (B) fig. 8, et de rondelles plates de 3/16 po (4,8 mm) (C) depuis l'intérieur de l'armoire de la scie.
3. La figure 9 illustre la jauge à onglet (D) insérée dans le support.

JAUGE À ONGLET

La jauge à onglet est expédiée assemblée et avec une barre à rainure en T (A, fig. 10) insérée dans l'une des deux rainures de la jauge à onglet à rainure à T (B) qui se trouvent dans le dessus de la table. La rainure à T empêche la jauge à onglet de tomber lorsqu'elle sort de l'avant de la table lors du tronçonnage de pièces très larges.

ASSEMBLAGE DU SOCLE

1. Fixer les pieds de caoutchouc (H), fig. 11, au bas de chaque patte (F).
Localiser les deux pattes (F), qui sont percées au bas, pour la fixation des supports de roue (G) et de la traverse (E). (S'assurer que les roues et les supports sont installés dans le bon sens. Consulter l'encart à la figure 11.) Pour fixer les supports, retirer d'abord les écrous des boulons et insérer ces derniers dans les trous pratiqués au bas des deux pattes, puis dans les trous de la traverse (E). Visser de nouveau les écrous sur les boulons et serrer. Assembler le socle comme l'illustre la fig. 11, avec 16 boulons de carrosserie M8 x 1,25 x 20 mm, des rondelles plates de 9,5 mm (3/8 po) et des écrous hexagonaux M8 x 1,25. Aligner les trous des pattes du socle (F) avec les trous des supports. Insérer le boulon de carrosserie dans le trou de la patte et dans le trou du support, mettre une rondelle plate sur le boulon de carrosserie et visser un écrou hexagonal sur celui-ci. Répéter cette procédure pour les 15 autres trous des pattes et des supports.

REMARQUE : visser lâchement la quincaillerie pour un réglage ultérieur.

Des lettres figurent sur les supports du socle pour faciliter l'assemblage :

- A – supports supérieurs avant et arrière
- B – supports supérieurs latéraux
- C – supports inférieurs latéraux
- D – supports inférieurs avant et arrière
- E – traverse inférieure

REMARQUE : chaque pied de caoutchouc est doté de trous pour monter le socle au plancher si nécessaire.

FIXATION DU SAC

1. Fixer le sac à poussière à sa structure puis insérer celle-ci dans le socle de la scie comme indiqué à la fig. 12.
Se reporter à la rubrique ci-dessous pour fixer l'ensemble du sac à la scie.

ASSEMBLAGE DE LA SCIE SUR SOCLE

1. Inverser la scie sur un morceau de carton pour protéger la surface de la table. Inverser le socle sur la scie et aligner les quatre trous du socle avec les trous de montage de la scie.
2. Placer une rondelle plate de 3/8 po (4,6 mm) sur la vis à tête hexagonale de M8x1,25x45 mm. Insérer la vis à tête hexagonale à travers le trou de montage de la scie et le trou de montage du socle. Placer une autre rondelle plate de 3/8 po (4,6 mm) sur la vis à tête hexagonale et enfiler un écrou hexagonal M8x de 1,25 puis serrer lâchement. Répéter ce procédé pour les trois autres trous.
3. Mettre la scie à la verticale comme indiqué à la fig. 13 (la scie est illustrée ici entièrement assemblée).
4. Pousser sur le dessus de la scie pour que les pattes du socle s'ajustent à la surface du plancher. Serrer solidement toute la visserie.

FIXATION DU VOLANT SERVANT À RÉGLER LA HAUTEUR DE LA LAME

1. Insérer une vis à tête cylindrique à dépouille de M6x de 1 x 55 mm (D, fig. 14) à travers la poignée (E). Fixer la poignée (E) au volant (A) en enfilaient la vis (D) en sens horaire sur le volant.
2. Fixer le volant (A) fig.15 à l'arbre (B). Aligner la partie plate de l'intérieur du volant avec la partie plate de l'arbre.
3. Fixer le volant (A) fig. 16 à l'arbre avec une vis à tête plate M6x de 1x12 mm (C).

FIXATION DE L'ENSEMBLE PARE-MAIN /COUTEAU SÉPARATEUR

⚠ AVERTISSEMENT DÉBRANCHER L'APPAREIL DE LA SOURCE D'ALIMENTATION.

⚠ AVERTISSEMENT ALIGNER CORRECTEMENT L'ENSEMBLE PARE-MAIN /COUTEAU SÉPARATEUR AVEC LA LAME DE LA SCIE POUR ÉVITER L'EFFET DE REBOND.

1. Positionner la lame à angle droit (90°) par rapport à la table puis la verrouiller en place.
2. Fixer le support du couteau séparateur (A) fig. 17 au support du couteau séparateur (B) à l'aide de deux vis à tête hexagonale de 1/4-20x1/2 po (C) et deux rondelles à denture extérieure de 1/4 po (6,4 mm) (D).
REMARQUE : serrer lâchement la visserie pour un réglage ultérieur.
3. Localiser la vis à tête hexagonale 1/4-20x2 po (G, fig. 18). Placer la rondelle à denture intérieure de 1/4 po (6,4 mm) (O), la rondelle plate M6.4 (P) et la rondelle à denture extérieure de 1/4 po (6,4 mm) (R) sur la vis (G).
4. Positionner l'extrémité en retrait (E), fig. 19, du support du couteau séparateur (B) contre l'extrémité de la tige pivot (F), puis la fixer en utilisant l'ensemble de **l'ÉTAPE 3. REMARQUE : ne pas serrer complètement la vis (G) à ce moment.** Ensemble illustré à la fig. 20.
REMARQUE : visser lâchement la quincaillerie pour un réglage ultérieur.
5. Positionner le couteau séparateur (H) fig. 21 contre le support du couteau séparateur en s'assurant que les deux saillies (K) du support du couteau séparateur soient à l'intérieur de la fente du couteau (H).
6. Fixer le couteau séparateur (H) fig. 22 au support du couteau séparateur (B). Placer une rondelle à denture extérieure de 1/4 po (6,4 mm) et une rondelle plate M6.4 sur une tête de vis hexagonale M6x de 1 x 20 mm (L).
7. Insérer la vis (L), fig. 22, dans le support du couteau séparateur (C) et le couteau séparateur (H). Placer une rondelle plate M6.4 et une rondelle à denture externe de 6,4 mm (1/4 po) sur la vis (L). Visser un écrou à oreilles M6 x 1 (M), fig. 23, sur la vis (L), fig. 23.
REMARQUE : avant de resserrer l'écrou (M) fig. 23, s'assurer d'avoir un jeu d'au moins 3,1 mm (1/8 po) entre le bord inférieur du couteau séparateur (N) et la surface supérieur de la table (P) et que les saillies (K) soient à l'intérieur de la fente de l'assemblage du couteau séparateur (H).
8. Utiliser une règle droite pour savoir si le couteau séparateur (H) fig. 24 est aligné avec la lame de scie (R). Si un réglage est nécessaire, il est possible de déplacer et de tourner le couteau séparateur (H) vers la droite ou la gauche.
9. Lorsque le couteau séparateur est bien aligné avec la lame de scie, resserrer les vis (C) et (G) fig. 25.

ASSEMBLAGE DU GUIDE LONGITUDINAL

1. Visser l'écrou hexagonal M8x de 1,25 (A) fig. 26 à mi-chemin sur le goujon de la poignée (B).
2. Fixer la poignée (B) fig. 26 dans le trou fileté (C) de la came du guide. Serrer l'écrou hexagonal (A) fig. 27 contre la came (D).
3. Le guide longitudinal est généralement posé sur le côté droit de la table de la scie. Soulever la poignée de verrouillage (B) fig. 28 et positionner le guide sur la table. Pousser sur la poignée (B) fig. 28 pour verrouiller le guide en place.

DÉPLACEMENT DE LA SCIE

Pour déplacer la scie, saisir le côté de la table à l'opposé des roues. Soulever la scie de sorte qu'elle soit légèrement au-dessus du plancher et tirer la table à l'emplacement désiré, comme indiqué.

▲ ATTENTION Puisque la surface des planchers n'est pas toujours régulière, vérifier les deux roues, à chaque déplacement de la scie, pour s'assurer qu'elles ne touchent pas au plancher lorsque la table de la scie repose sur le sol. S'assurer que toute la boulonnerie est solidement serrée.

FONCTIONNEMENT

COMMANDES ET RÉGLAGES OPÉRATIONNELS

DÉMARRAGE ET ARRÊT DE LA SCIE

L'interrupteur marche/arrêt (A) fig. 29 se trouve à l'avant de l'armoire de la scie. Pour mettre la scie en marche, déplacer l'interrupteur (A) vers le haut à la position « MARCHE » (ON). Pour mettre la scie en arrêt, déplacer l'interrupteur (A) vers le bas à la position « ARRÊT » (OFF).

▲ AVERTISSEMENT S'ASSURER QUE L'INTERRUPTEUR SE TROUVE SUR LA POSITION « ARRÊT » AVANT DE BRANCHER LE CORDON D'ALIMENTATION. EN CAS DE PANNE DE COURANT, METTRE L'INTERRUPTEUR EN POSITION « ARRÊT ». UN DÉMARRAGE ACCIDENTEL PEUT PROVOQUER DES BLESSURES.

VERROUILLER L'INTERRUPTEUR EN POSITION D'ARRÊT

IMPORTANT : lorsque l'outil est inutilisé, l'interrupteur doit être verrouillé en position d'arrêt afin d'empêcher toute utilisation non autorisée. Pour ce faire, saisir la bascule de l'interrupteur (B) et la retirer de l'interrupteur (figure 30). Une fois la bascule de l'interrupteur (b) retirée, l'interrupteur ne fonctionnera pas. Cependant, si la bascule de l'interrupteur est retirée tandis que la scie est en marche, il sera possible d'éteindre l'outil et non de le redémarrer sans réinsérer la bascule de l'interrupteur (B).

REGLAGE DE LA HAUTEUR DE LA LAME

Pour régler la hauteur de la lame de la scie, tourner le volant (A) fig. 31. Tourner le volant en sens horaire abaisse la lame et le tourner dans le sens antihoraire la relève.

RÉGLAGE DE L'INCLINAISON DE LA LAME

Pour incliner la lame de la scie, desserrer la poignée de verrouillage (A) fig. 32, et déplacer le volant (B) jusqu'à ce que la lame soit à l'angle voulu. Serrer la poignée de verrouillage (A).

REMARQUE : La poignée de verrouillage (A) est à ressort. Retirer la poignée (A) et la repositionner sur le goujon dentelé sous la poignée.

⚠ AVERTISSEMENT LA POIGNÉE DE VERROUILLAGE D'INCLINAISON DE LA LAME (A) DOIT ÊTRE VERROUILLÉE PENDANT TOUTES LES OPÉRATIONS DE COUPE.

RÉGLAGES DES BUTÉES FIXES À 90 ET 45 DEGRÉS

La scie est dotée de butées fixes pour un positionnement rapide et précis de la lame de la scie à 90 et 45 degrés par rapport à la table.

⚠ AVERTISSEMENT DÉBRANCHER L'APPAREIL DE LA SOURCE D'ALIMENTATION.

RÉGLAGE D'UNE BUTÉE FIXE À 90°

1. Lever la lame de la scie à sa hauteur maximum.
2. Desserrer la poignée de verrouillage d'inclinaison de la lame (A) fig. 32, déplacer le mécanisme d'inclinaison de la lame (B) aussi loin que possible vers la gauche et resserrer la poignée de verrouillage d'inclinaison de lame (A).
3. Placer une équerre (A) fig. 33, sur la table, une de ses extrémités contre la lame, et vérifier si la lame est perpendiculaire à la table. Sinon, desserrer la vis (B, fig. 33) de quelques tours et déplacer le mécanisme d'inclinaison de lame jusqu'à ce que la lame soit perpendiculaire à la table. Resserrer la poignée de verrouillage d'inclinaison de la lame (A, fig. 32) et resserrer la vis (B) fig. 33 à fond.

RÉGLAGE D'UNE BUTÉE FIXE À 45 DEGRÉS

1. Lever la lame de la scie à sa hauteur maximum.
2. Desserrer la poignée de verrouillage d'inclinaison de la lame (A) fig. 32, déplacer le mécanisme d'inclinaison de la lame (B) aussi loin que possible vers la gauche et resserrer la poignée de verrouillage d'inclinaison de lame (A).
3. Placer une équerre (A) fig. 34, sur la table, une de ses extrémités contre la lame, et vérifier si la lame est à 45 degrés à la table. Sinon, desserrer la vis (C, fig. 34) de quelques tours et déplacer le mécanisme d'inclinaison de lame (B) fig. 32, jusqu'à ce que la lame soit à 45 degrés à la table. Resserrer la poignée de verrouillage d'inclinaison de la lame (A) fig. 32 et resserrer la vis (C) fig. 34 à fond.

UTILISATION ET RÉGLAGES DU GUIDE LONGITUDINAL

1. Pour déplacer le guide longitudinal (A) fig. 35 le long de la table, soulever le levier de verrouillage du guide, le glisser jusqu'à l'emplacement voulu sur la table puis pousser vers le bas sur le levier de verrouillage du guide (B).
2. Le pointeur indique la distance entre le guide et la lame de la scie. Si un réglage est nécessaire, desserrer la vis (C) fig. 35 et régler.

IMPORTANT : le guide longitudinal doit être aligné correctement par rapport à la fente de la jauge à onglet pour éviter l'effet de rebond lors de sciage en long.

3. La lame de scie est installée parallèlement à la fente de la jauge à onglet en usine. Le guide longitudinal doit être parallèle à la fente de la jauge à onglet pour un travail précis et pour prévenir l'effet de rebond lors de sciage en long. Pour vérifier l'alignement :
4. Positionner le guide près de la fente de la jauge à onglet (figure 35). Installer le guide sur la table en poussant le levier de verrouillage (B) vers le bas. Le bord du guide devrait être parallèle à la fente de la jauge à onglet.
5. Si un réglage est nécessaire, desserrer les deux vis (D) fig. 35 et lever le levier de verrouillage (B).
Tenir le support du guide (F) bien fermement vers l'avant de la scie et déplacer l'arrière du guide (A) jusqu'à ce qu'il soit parallèle à la fente de la jauge à onglet. Resserrer les deux vis (D) et pousser le levier de verrouillage vers le bas (B).
6. Régler le serrage du guide (A) fig. 35 en soulevant le levier de verrouillage (B) et en tournant la vis (E) en sens horaire pour augmenter ou dans le sens antihoraire pour réduire le serrage du guide.

RÉGLAGE DE LA PLAQUETTE AMOVIBLE

⚠ AVERTISSEMENT DÉBRANCHER L'APPAREIL DE LA SOURCE D'ALIMENTATION.

1. S'assurer que l'insert de la table (A) fig. 36, affleure ou soit un peu sous la surface de la table (B).
2. Si la plaquette amovible est au-dessus de la surface de la table, serrer les deux vis de la plaquette amovible (C), fig. 36, pour l'abaisser.

UTILISATION ET RÉGLAGES DE LA JAUGE À ONGLET

Pour le tronçonnage (lame à 90 degrés de la table la jauge à onglet peut être utilisée dans l'une ou l'autre fente sur la table. Pour un tronçonnage en biseau (avec la lame inclinée) utiliser la jauge à onglet dans la fente droite de la table uniquement pour que la lame soit inclinée en s'éloignant de la jauge et de vos mains.

Pour utiliser la jauge à onglet, desserrer le bouton de verrouillage (E) fig. 37, et tourner la jauge à onglet à l'angle voulu.

RÉGLAGE LA LAME PARALLÈLEMENT AUX FENTES DE LA JAUGE À ONGLET

À l'usine, la lame a été réglée parallèlement aux fentes de la jauge à onglet. Pour garantir une précision de coupe et permettre d'éviter l'effet de rebond, vérifier ce réglage.

Pour effectuer un réglage :

⚠ AVERTISSEMENT DÉBRANCHER L'APPAREIL DE LA SOURCE D'ALIMENTATION.

1. Lever la lame au maximum et régler la lame de façon à ce qu'elle se trouve à 90° par rapport à la table.
2. Sélectionner une dent de la lame qui se trouve sur la gauche. Marquer cette dent à l'aide d'un crayon ou d'un marker.
3. Placer une équerre combinée (A) fig. 38 contre la fente de la jauge à onglet et ajuster la lame (B) de l'équerre jusqu'à ce qu'elle touche la dent marquée.
4. Tourner la lame et vérifier la même dent de lame marquée à l'arrière de la table de scie (figure 39).
5. Si les mesures avant et arrière (figures 38 et 39) ne sont pas identiques, régler la lame.
Commencer en desserrant les écrous sous les quatre vis (C) fig. 40 sur la table. Puis desserrer les vis (C). Déplacer soigneusement la lame de la scie jusqu'à ce qu'elle soit parallèle à la fente de la jauge à onglet. Puis serrer solidement quatre écrous sous la table ainsi que les quatre vis (C) Fig. 40.

REMARQUE : S'il n'est pas possible d'effectuer un réglage suffisant en desserrant les vis (C) fig. 40, desserrer la vis (D) fig. 40 pour effectuer le réglage.

CHANGEMENT DE LA LAME

⚠ AVERTISSEMENT DÉBRANCHER LA MACHINE DE LA SOURCE D'ALIMENTATION. UTILISER UNIQUEMENT DES LAMES DE SCIE DE 254 MM (10 PO) DE DIAMÈTRE CONÇUES POUR FONCTIONNER À UN RÉGIME D'AU MOINS 4 700 TR/MIN. UTILISER UNIQUEMENT DES LAMES DE SCIE À TROUS D'AXE DE 15,87 MM (5/8 PO).

1. **REMARQUE** : une clé de 22,2 mm (7/8 po) est fournie avec la scie pour changer la lame de scie.
2. Retirer la plaquette amovible (A), fig. 41, et relever la lame de scie (F) à sa hauteur maximale.
3. Pour retirer la lame, placer la clé (D) sur les méplats de l'écrou d'axe (C) pour empêcher l'axe de tourner. Placer un morceau de bois (B) à plat sur la table contre la lame pour qu'une dent de la lame puisse « saisir » le bois et ainsi empêcher la lame de tourner. Utiliser la clé pour tourner l'écrou d'axe vers l'avant de la scie. Retirer l'écrou d'axe, la bride de la lame (E) et la lame de scie.
4. Assembler la nouvelle lame, s'assurer que les dents pointent vers le bas, à l'avant de la table de la scie, et assembler la bride externe de la lame et l'écrou d'axe. Utiliser le morceau de bois (B) pour empêcher la lame de tourner, serrer l'écrou d'axe en tournant la clé (D) vers l'arrière de la scie.
5. Replacer la plaquette amovible.

UTILISATION DE LA MACHINE

Les opérations courantes de sciage comprennent le sciage en long et le tronçonnage, ainsi que quelques autres opérations normale de base. Comme avec tout équipement électrique, l'utilisation de l'appareil comporte certains dangers. En utilisant cet appareil avec toute la prudence requise, le risque de blessures corporelles en sera considérablement réduit. Toutefois, si les mesures de sécurité normales ne sont pas respectées ou complètement ignorées, l'opérateur de l'outil peut être blessé. L'information suivante décrit la méthode appropriée et sans danger d'exécuter les opérations les plus courantes de sciage.

⚠ AVERTISSEMENT L'UTILISATION D'ACCESSOIRES NON RECOMMANDÉS PAR DELTA POURRAIT PROVOQUER DES RISQUES DE BLESSURES POUR L'UTILISATEUR OU POUR D'AUTRES.

TRONÇONNAGE

Le tronçonnage nécessite l'utilisation de la jauge à onglet pour positionner et guider l'ouvrage. Placer la pièce contre la jauge à onglet et pousser la jauge et la pièce en direction de la lame de la scie comme indiqué à la figure 42. La jauge à onglet peut servir dans l'une ou l'autre fente de la table. Pour une coupe à biseau (lame inclinée), utiliser la rainure de la table qui ne crée pas l'interférence de la main ou de la jauge à onglet avec le pare-main de la lame de la scie.

Commencer lentement la découpe et tenir fermement la pièce contre la jauge à onglet et la table.

⚠ AVERTISSEMENT **UNE DES RÈGLES D'UTILISATION D'UNE SCIE : NE JAMAIS SE SUSPENDRE SUR, NI TOUCHER LA PARTIE DE LA PIÈCE À DÉCOUPER.**

Tenir la pièce supportée, et non la pièce coupée. Le tronçonnage se poursuit jusqu'à ce que la pièce soit coupée en deux, et que la jauge à onglet et la pièce reviennent au point de départ. Avant de reculer la pièce, il est préférable de donner un peu de jeu latéral au travail pour le déplacer en l'éloignant un peu de la lame de scie. **Ne jamais** ramasser de pièces courtes libres sur la table tandis que la scie est en marche. **Ne jamais** toucher une pièce découpée à moins qu'elle ne mesure au moins un pied (305 mm) de long.

Pour une sécurité accrue et pour la commodité, ajouter à la jauge à onglet (A) un parement auxiliaire en bois (B) comme indiqué à la figure 42A, qui devrait être au moins 1 pouce (25,4 mm) plus haut que la profondeur maximum de coupe et prolongé jusqu'à 12 pouces (305 mm), ou plus d'un côté ou l'autre selon la fente utilisée pour la jauge à onglet. Ce parement en bois auxiliaire (B) se fixe à l'avant de la jauge à onglet à l'aide de deux vis à bois (C) à travers les trous fournis dans le corps de la jauge à onglet et dans le parement.

⚠ AVERTISSEMENT **NE JAMAIS UTILISER LE GUIDE COMME GUIDE POUR LE TRONÇONNAGE**

Pour tronçonner plusieurs pièces de même longueur, fixer un bloc de bois (B) fig. 42B sur le guide et l'utiliser comme jauge de coupe, comme le montre la figure 42B. Il est important de toujours positionner ce bloc de bois devant la lame de la scie comme indiqué. Après avoir déterminé la longueur de coupe, fixer solidement le guide et utiliser la jauge à onglet pour acheminer la pièce de coupe. Ce bloc de bois permet à la pièce découpée de se déplacer librement le long de la surface de la table sans se coincer entre le guide et la lame de scie, réduisant ainsi la possibilité d'effet de rebond et de blessure pour l'opérateur.

⚠ AVERTISSEMENT **EN UTILISANT LE BLOC (B) FIG. 42B, COMME GUIDE DE COUPE, IL EST TRÈS IMPORTANT QUE L'EXTRÉMITÉ ARRIÈRE DU BLOC SOIT PLACÉE POUR QUE LA PIÈCE DÉGAGE LE BLOC AVANT SON CONTACT AVEC LA LAME.**

SCIAGE EN LONG

La coupe d'une planche dans sa longueur est connue sous le nom de sciage en long. Le guide longitudinal (A) fig. 43 sert à positionner et à guider le travail. Un bord de la pièce s'appuie contre le guide longitudinal tandis que le côté plat de la planche repose sur la table. Puisque la pièce est poussée le long du guide, il doit avoir un bord droit et entrer solidement en contact avec la table.

⚠ AVERTISSEMENT **LE PARE-MAIN DE LA LAME DE SCIE DOIT ÊTRE UTILISÉ SUR LES SCIES DELTA, LE DISPOSITIF COMPORTE DES DOIGTS ANTI-EFFET DE REBOND POUR PRÉVENIR L'EFFET DE REBOND ET UN COUTEAU SÉPRATEUR POUR EMPÊCHER LE TRAIT DE BOIS DE SE FERMER ET DE COINCER LA LAME. S'ASSURER DE REMPLACER OU D'AFFÛTER LES DISPOSITIFS ANTI-EFFET DE REBOND LORSQUE LES POINTES S'ÉMOUSSENT.**

⚠ AVERTISSEMENT **TOUJOURS UTILISER UN GUIDE LONGITUDINAL POUR UN SCIAGE EN LONG.**

NE JAMAIS SCIER EN LONG À MAINS LIBRES.

1. Démarrer le moteur et avancer la pièce en la tenant vers le bas, contre le guide. **Ne jamais** se mettre dans la ligne de coupe de la scie lors d'un sciage en long. Lorsque la largeur de la pièce pour le sciage sur le long est de 15,2 cm (6 po) ou plus, la tenir avec les deux mains et la guider le long du guide sous la lame de la scie (fig. 43). La pièce devrait alors être guidée sous la lame de la scie avec la main droite. Utiliser la main gauche seulement pour guider la pièce. Ne pas guider la pièce avec la main gauche. Lorsque la pièce dépasse la lame de scie et les doigts anti-effet de rebond, retirer les mains de la pièce.
2. Une fois la coupe effectuée, il est possible de laisser la pièce sur la table, de l'incliner légèrement et de la saisir par l'extrémité du pare-main arrière, ou de la faire tomber de la table, sur le plancher. Alternativement, il est possible d'acheminer la pièce vers l'extrémité de la table. Par la suite, la pièce est soulevée et acheminée le long du bord externe du guide. La pièce coupée demeure sur la table, et ne doit pas être touchée jusqu'à ce que la lame s'immobilise, à moins qu'il ne s'agisse d'une grande pièce pouvant être retirée en toute sécurité. Pour scier en long des planches de plus de trois pieds (914 mm) de long, utiliser un support de pièce à l'arrière de la scie afin d'empêcher la pièce de tomber hors de la table.
3. Si la pièce mesure moins de 6 pouces (152 mm) de largeur, toujours utiliser un poussoir pour terminer l'acheminement à comme indiqué à la figure 44. Le poussoir se fabrique facilement de matériau de rebut selon l'explication dans la section « **FABRICATION D'UN POUSSOIR** ».
4. Il peut être dangereux de scier des pièces étroites en long si cette opération n'est pas réalisée avec prudence.

⚠ AVERTISSEMENT **LORSQUE LA PIÈCE EST TROP ÉTROITE POUR QU'UN POUSSOIR SOIT EFFICACE - ET SI LA PIÈCE EST ASSEZ COURTE - UTILISER UN CARTON POUSSOIR. POUR LE SICAGE EN LONG D'UNE PIÈCE DE MOINS DE 2 POUÇES (50,8 MM) DE LARGEUR, LES POUSSOIRS COURANTS PEUVENT ENTRAVER LE FONCTIONNEMENT DU PARE-MAIN.**

En cas d'utilisation d'un poussoir, il faut ajouter la largeur du carton poussoir à la largeur du guide longitudinal pour le réglage de la position. Un carton poussoir plat se construit comme indiqué à la figure 46 et doit être utilisé comme indiqué à la figure 45. **REMARQUE : LE DISPOSITIF DE PROTECTION EST RETIRÉ POUR LA CLARTÉ. TOUJOURS UTILISER LE DISPOSITIF DE PROTECTION.**

REMARQUE : certaines opérations spéciales exigent l'ajout d'un parement en bois face au guide, selon l'explication de la section « **UTILISATION DU PAREMENT EN BOIS AUXILIAIRE FACE AU GUIDE LONGITUDINAL** » et utilisent un poussoir. **Fig. 43 BLOC CONTREPLAQUÉ DE 19 MM (3/4 PO) LARGEUR DE SCIE TABLE DE 50,8 MM (2 PO)**

UTILISATION DU PAREMENT EN BOIS AUXILIAIRE FACE AU GUIDE LONGITUDINAL

En exécutant certaines coupes spéciales – et si cette opération peut mettre l'accessoire de coupe en contact avec le guide – il faut ajouter un parement en bois (A) fig. 47A, d'un côté du guide longitudinal tel qu'illustré. Le parement en bois se fixe au guide avec des vis en bois à travers les trous percés dans le guide. Une pièce de 3/4 po (19 mm) convient pour la plupart des travaux, bien qu'à l'occasion il faudra un parement d'un pouce (25,4 mm).

FRAISE ACCESSOIRE À RAINURER

ATTENTION LA LARGEUR MAXIMUM DE RAINURAGE EST DE 12,7 MM (1/2 PO) POUR CETTE SCIE.

AVERTISSEMENT L'ENSEMBLE PARE MAIN/COUTEAU SÉPARATEUR NE PEUT PAS ÊTRE UTILISÉS POUR LE RAINURAGE IL FAUT LE RETIRER OU LE REPOUSSER VERS L'ARRIÈRE DE LA SCIE.

Avant de rainurer, desserrer l'écrou à oreilles (A) fig. 48 et retirer l'ensemble pare-main/couteau séparateur (B). Garder l'ensemble sous la main pour le replacer après le rainurage.

AVERTISSEMENT UTILISER ÉGALEMENT DES SERRE-JOINTS, FIXTURES, POUSSOIRS ET PLANCHES EN ÉVENTAIL AUXILIAIRES.

1. Le rainurage consiste à couper une feuillure ou une rainure large dans une pièce. La plupart des ensembles à rainurer sont constitués de deux scies externes et de quatre ou cinq couteaux internes (figure 48A). Diverses combinaisons de lames et de couteaux sont utilisées pour couper les rainures de 1/8 po à 13/16 po (3,1 à 20,6 mm) utilisées pour les étagères, préparer des joints, des tenons, des rainures, etc. Les couteaux sont fortement emboutis et doivent être disposés de sorte qu'ils s'insèrent dans les gorges des dents externes, comme le montre la figure 49. Le chevauchement de scie et couteau est illustré dans la figure 50, (A) est la scie extérieure, (B) un couteau intérieur, et (C) une rondelle ou des rondelles de papier, utilisés au besoin pour contrôler la largeur exacte de la rainure. Une rainure de 1/4 po (6,3 mm) est coupée avec les deux scies extérieures. Les dents de scies doivent être placées pour que le râteau d'une scie soit près des dents de coupe de l'autre scie
2. Fixer l'ensemble à rainure (D, fig. 51) à l'axe de scie.

REMARQUE : LA BRIDE D'AXE EXTERNE NE PEUT PAS ÊTRE UTILISÉE AVEC L'ENSEMBLE À RAINURER, RESSERRER L'ÉCROU D'AXE CONTRE LE CORPS DE L'ENSEMBLE À RAINURER.

NE PAS PERDRE LA BRIDE D'AXE EXTERNE. ELLE SERA NÉCESSAIRE POUR FIXER DE NOUVEAU UNE LAME SUR L'AXE.

ATTENTION IL FAUT UTILISER L'INSERT DE TABLE (E, fig. 51) DE TÊTE À RAINURER EN ACCESSOIRE AU LIEU DE L'INSERT DE TABLE STANDARD.

AVERTISSEMENT L'ENSEMBLE PARE-MAIN/COUTEAU SÉPARATEUR NE PEUT PAS ÊTRE UTILISÉ POUR LE RAINURAGE ET DOIT ÊTRE RETIRÉ OU BASCULÉ À L'ARRIÈRE DE LA SCIE UTILISER ÉGALEMENT DES SERRE-JOINTS, FIXTURES, POUSSOIRS ET PLANCHES EN ÉVENTAIL AUXILIAIRES.

3. La figure 52 illustre une opération courante de rainurage avec utilisation de la jauge à onglet comme guide..

ATTENTION NE JAMAIS UTILISER LA TÊTE À RAINURER EN POSITION DE BISEAU.

AVERTISSEMENT TOUJOURS INSTALLER LE PARE-MAIN DE LA LAME À LA FIN DE L'OPÉRATION.

« FABRICATION D'UN POUSSOIR »

Pour scier en long une pièce de moins de 15,24 cm (4 po) de largeur, utiliser un poussoir pour terminer la coupe. Il est facile de fabriquer un poussoir avec des déchets de découpe en suivant le patron indiqué à la figure 53.

Fig. 53

Pièce en bois de 12,7 mm (1/2 po) ou 19 mm (3/4 po) ou d'une épaisseur inférieure à la largeur de la pièce à couper

Couper ici pour une pièce de 6,4 mm (1/4 po) Couper ici pour une pièce de 6,4 mm (1/4 po)

Couper ici pour une pièce de 6,4 mm (1/4 po) Couper ici pour une pièce de 12,7 mm (1/2 po)

Poussoir

Encoche pour empêcher la main de glisser

Carrés de 12,7 mm (1/2 po)

FABRICATION D'UNE PLANCHE EN ÉVENTAIL

La figure 54 illustre les dimensions utilisées pour la fabrication d'une planche en éventail typique. Utiliser une pièce de bois droite exempte de noeuds et de fissures pour la fabrication de la planche en éventail. Les planches en éventail sont utilisées pour maintenir la pièce en contact avec le guide et la table, comme indiqué à la fig. 55, et ainsi éviter les effets de rebond. Fixer les planches en éventail sur le guide et la table de sorte que le bord d'attaque des planches en éventail soutienne la pièce tout au long de la coupe. Une planche à plat de 203 mm (8 po) peut être fixée au guide longitudinal et la planche en éventail, à celle-ci.

⚠ AVERTISSEMENT utiliser des planches en éventail pour toutes les opérations, hors débitage complet, pour lesquelles l'ensemble protège-lame/couteau séparateur doit être retiré. Toujours replacer l'ensemble lorsque l'opération hors débitage complet est terminée.

Fig. 54

Le trait devrait être à 6,4 mm (1/4 po) d'écart.

DÉPANNAGE

SUIVRE LES RÈGLES ET CONSIGNES DE SÉCURITÉ

PROBLÈME ! LA SCIE NE DÉMARRE PAS

QUEL EST LE PROBLÈME ?

- 1.Scie non branchée.
- 2.Fusible grillé ou disjoncteur déclenché.
- 3.Cordon endommagé.
- 4.Brosses usées.

QUE FAIRE...

- 1.Brancher la scie.
- 2.Remplacer le fusible ou réinitialiser le disjoncteur.
- 3.Faire remplacer le cordon par un centre de réparation agréé.
- 4.Faire remplacer les brosses par un centre de réparation agréé.

PROBLÈME ! LES DÉCOUPES EFFECTUÉES PAR LA SCIE NE SONT PAS SATISFAISANTES

QUEL EST LE PROBLÈME ?

- 1.Lame émoussée.
- 2.Lame montée à l'envers.
- 3.Gomme ou résine sur la lame.
- 4.Lame inadéquate pour le travail effectué.

QUE FAIRE...

- 1.Remplacer la lame.
- 2.Inverser la lame.
- 3.Retirer la lame et la nettoyer avec de la térébenthine.
- 4.Changer la lame.

PROBLÈME ! LA LAME N'ATTEINT PAS SON PLEIN RÉGIME

QUEL EST LE PROBLÈME ?

- 1.La rallonge est trop légère ou trop longue.
- 2.Courant domestique trop faible.

QUE FAIRE...

- 1.La remplacer par une rallonge de taille adéquate.
- 2.Contacter votre fournisseur d'électricité.

PROBLÈME ! LA LAME N'ATTEINT PAS SON PLEIN RÉGIME

QUEL EST LE PROBLÈME ?

- 1.Le socle ou l'établi est sur un sol irrégulier
- 2.Lame de scie endommagée.

QUE FAIRE...

- 1.Le repositionner sur une surface plane.
- 2.Remplacer la lame

ENTRETIEN

GARDER LA MACHINE PROPRE

Dégager régulièrement toutes les conduites d'air avec de l'air comprimé sec. Toutes les pièces en plastique doivent être nettoyées à l'aide d'un chiffon doux humide.

NE JAMAIS utiliser de solvants pour nettoyer les pièces en plastique. Les solvants peuvent dissoudre ou endommager le matériel.

⚠ WARNING Porter des lunettes de sécurité ANSI Z87.1 pour l'utilisation d'air comprimé.

DÉMARRAGE IMPOSSIBLE

Si l'appareil ne démarre pas, s'assurer que les lames de la fiche du cordon d'alimentation sont bien en contact avec la prise. Vérifier également s'il y a des fusibles grillés ou un disjoncteur déclenché.

LUBRICATION

Appliquer chaque semaine une cire à parquets d'usage domestique sur la table de l'appareil, sur la rallonge de table et toute autre surface de travail.

EMPÊCHER LA FONTE DE ROUILLER

Utiliser les produits suivants pour nettoyer et protéger les tables en fonte contre la rouille : un plateau-poussoir de rainureuse, une feuille de papier à poncer Scotch-Brite™ moyen, une boîte de WD-40® et une boîte de dégraissant et boîte d'aérosol TopCote®. Appliquer le WD-40 et polir la surface de la table avec le papier à poncer Scotch-Brite, en utilisant le plateau-poussoir comme serre-flan. Dégraisser la table, puis appliquer le TopCote® convenablement.

ACCESSOIRES

Les accessoires recommandés pouvant être utilisés avec l'outil sont disponibles auprès de votre distributeur local ou centre de réparation autorisé. Pour tout renseignement concernant les accessoires, composer le : 1-800-544-6986
l'utilisation de tout accessoire non recommandé avec l'outil pourrait s'avérer dangereuse.

RÉPARATION

Tous les centres de réparation Black & Decker sont dotés de personnel qualifié en matière d'outillage électrique; ils sont donc en mesure d'offrir à leur clientèle un service efficace et fiable. Que ce soit pour un avis technique, une réparation ou des pièces de rechange authentiques installées en usine, communiquer avec l'établissement Black & Decker le plus près de chez vous. Pour trouver l'établissement de réparation de votre région, consulter le répertoire des pages jaunes à la rubrique « Outils électriques » ou composer le numéro suivant : **1-800-544-6986** ou se rendre sur le site Web **www.blackanddecker.com**

GARANTIE

Black & Decker (U.S.) Inc. garantit ce produit pour une période de deux ans contre tout défaut de matériel ou de fabrication. Le produit défectueux sera remplacé ou réparé sans frais, suivant l'une des deux méthodes suivantes.

La première méthode consiste en un échange seulement. On doit retourner le produit au détaillant qui l'a vendu (pourvu qu'il s'agisse d'un détaillant participant), en respectant les délais stipulés dans sa politique relative aux échanges (normalement de 30 à 90 jours après la vente). Une preuve d'achat peut être requise. On doit vérifier la politique de retour du détaillant pour tout produit retourné après le délai prescrit pour les échanges.

La deuxième méthode consiste à apporter ou à envoyer le produit (prépayé) à un centre Black & Decker ou à un centre de service autorisé aux fins de réparation ou de remplacement, selon notre choix. Une preuve d'achat peut être requise. Les centres Black & Decker et les centres de service autorisés sont répertoriés dans les pages jaunes sous la rubrique «Outils - électriques». Cette garantie ne s'applique pas aux accessoires. Elle confère des droits légaux particuliers à l'acheteur, mais celui-ci pourrait aussi bénéficier d'autres droits variant d'un territoire à l'autre.

Toute question doit être adressée au gérant du centre Black & Decker le plus près.

Ce produit n'est pas destiné à un usage commercial.

Remplacement gratuit de l'étiquette d'avertissement : En cas de perte ou d'endommagement des étiquettes d'avertissement, composer le **1 800 544-6986** afin d'en obtenir de nouvelles sans frais.

Imported by / Importé par
Black & Decker Canada Inc.
100 Central Ave.
Brockville (Ontario) K6V 5W6

Voir la rubrique "Outils électriques"
des Pages Jaunes
pour le service et les ventes.



 **BLACK & DECKER®**

SIERRA DE BANCO BD200SD
254 MM

MANUAL DE INSTRUCCIONES



¡GRACIAS POR ELEGIR BLACK & DECKER!
VAYA A WWW.BLACKANDDECKER.COM/NEWOWNER
PARA REGISTRAR SU NUEVO PRODUCTO.

ANTES DE DEVOLVER ESTE PRODUCTO POR CUALQUIER MOTIVO, LLAME AL
(55) 5326-7100

PAUTAS DE SEGURIDAD/DEFINICIONES

Es importante para usted leer y entender este manual. La información que lo contiene relaciona a proteger SU SEGURIDAD y PREVENIR los PROBLEMAS. Los símbolos debajo de son utilizados para ayudarlo a reconocer esta información.



▲ PELIGRO

Indica una situación de inminente riesgo, la cual, si no es evitada, causará la muerte o lesiones serias.

▲ ADVERTENCIA

Indica una situación potencialmente riesgosa, que si no es evitada, podría resultar en la muerte o lesiones serias.

▲ PRECAUCIÓN

Indica una situación potencialmente peligrosa, la cual, si no es evitada, podría resultar en lesiones menores o mode-radas.

PRECAUCIÓN

Usado sin el símbolo de seguridad de alerta indica una situa-ción potencialmente riesgosa la que, si no es evitada, podría causar daños en la propiedad.

PROPOSICIÓN DE CALIFORNIA 65

▲ ADVERTENCIA

Algunos tipos de aserrín creados por máquinas eléctricas de lijado, aserrado, amolado, perforado u otras actividades de la construcción, contienen materiales químicos conocidos (en el Estado de California) como causantes de cáncer, defectos de nacimiento u otros daños del aparato reproductivo. Algunos ejemplos de

dichos productos químicos son:

- El plomo contenido en algunas pinturas con base de plomo
- Sílice cristalizado proveniente de los ladrillos, el cemento y otros productos de albañilería
- Arsénico y cromo de madera tratada químicamente

Su riesgo por causa de estas exposiciones varía, dependiendo de con cuánta frecuencia realice este tipo de trabajo. Para reducir su exposición a estos agentes químicos: trabaje en un área bien ventilada y trabaje con equipo de seguridad aprobado, use siempre protección facial o respirador **MSHA / NIOSH** aprobados cuando deba utilizar dichas herramientas.

- **Evite el contacto prolongado con el polvo proveniente del lijado, aserrado, amolado y taladrado eléctrico y otras actividades de construcción. Use vestimenta protectora y lave todas las áreas expuestas con agua y jabón.** De entrar polvo en sus ojos, boca, o que este permanezca sobre su piel puede promover la absorción de químicos dañinos.

El uso de esta herramienta puede generar y/o dispersar el polvo, el cual puede ocasionar lesión respiratoria u otro tipo de lesión grave y permanente. Utilice siempre protección respiratoria NIOSH/OSHA apropiada para la exposición al polvo. Dirija las partículas lejos de su cara o su cuerpo.

Use protección auditiva apropiada cuando usa la herramienta. Bajo ciertas condiciones y el tiempo que se usa la herramienta, el ruido proveniente de este producto podría contribuir a pérdida auditiva.

GUARDE ESTAS INSTRUCCIONES!

NORMAS GENERALES DE SEGURIDAD

▲ ADVERTENCIA



LEA Y COMPRENDA TODAS LAS ADVERTENCIAS Y LAS INSTRUCCIONES DE OPERACIÓN ANTES DE UTILIZAR ESTE EQUIPO. El incumplimiento de cualquiera de las instrucciones enumeradas abajo puede provocar descarga eléctrica, incendio o lesiones personales graves o daños a la propiedad.

INSTRUCCIONES IMPORTANTES SOBRE SEGURIDAD

- 1. PARA SU PROPIA SEGURIDAD, LEA EL MANUAL DE INSTRUCCIONES ANTES DE UTILIZAR LA MÁQUINA.** Al aprender la aplicación, las limitaciones y los peligros específicos de la máquina, se minimizará enormemente la posibilidad de accidentes y lesiones.
- 2. USE PROTECCIÓN DE LOS OJOS. USE SIEMPRE ANTEOJOS DE SEGURIDAD.** Use también una careta o una máscara antipolvo si la operación de corte genera polvo. Los anteojos de uso diario sólo tienen lentes resistentes a los golpes. NO son anteojos de seguridad. UTILICE EQUIPO DE SEGURIDAD CERTIFICADO. El equipo de protección de los ojos debe cumplir con las normas ANSI Z87.1, el equipo de protección de la audición debe cumplir con las normas ANSI S3.19 y la protección con máscara antipolvo debe cumplir con las normas para respiradores certificados de MSHA/NIOSH. Las astillas, los residuos suspendidos en el aire y el polvo pueden causar irritación, lesiones y/o enfermedad.
- 3. USE INDUMENTARIA ADECUADA.** No use ropa holgada, guantes, corbatas, anillos, pulseras u otras joyas que podrían engancharse en las piezas móviles. Se recomienda usar calzado antideslizante. Use una cubierta protectora del pelo para sujetar el pelo largo.
- 4. NO UTILICE LA MÁQUINA EN UN ENTORNO PELIGROSO.** La utilización de herramientas mecánicas en lugares húmedos o mojados, o en la lluvia, puede causar descargas eléctricas o electrocución. Mantenga bien iluminada el área de trabajo para evitar tropezar o poner en peligro los brazos, las manos y los dedos.
- 5. MANTENGA TODAS LAS HERRAMIENTAS Y MÁQUINAS EN CONDICIONES ÓPTIMAS.** Mantenga las herramientas afiladas y limpias para lograr el mejor y más seguro rendimiento. Siga las instrucciones de lubricación y cambio de accesorios. Las herramientas y las máquinas mal mantenidas pueden dañar más la herramienta o la máquina y/o causar lesiones.
- 6. COMPRUEBE SI HAY PIEZAS DAÑADAS.** Antes de utilizar la máquina, compruebe si hay piezas dañadas. Compruebe la alineación de las piezas móviles, si las piezas móviles se atascan, si hay piezas rotas y toda otra situación que podría afectar su funcionamiento. Un protector o cualquier otra pieza que presente daños debe repararse o reemplazarse apropiadamente. Las piezas dañadas pueden causar daños adicionales a la máquina y/o lesiones.
- 7. MANTENGA LIMPIA EL ÁREA DE TRABAJO.** Las áreas y los bancos desordenados invitan a que se produzcan accidentes.
- 8. MANTENGA ALEJADOS A LOS NIÑOS Y A LOS VISITANTES.** El taller es un entorno potencialmente peligroso. Los niños y los visitantes pueden sufrir lesiones.
- 9. REDUZCA EL RIESGO DE UN ARRANQUE NO INTENCIONADO.** Asegúrese de que el interruptor esté en la posición de apagado antes de enchufar el cable de alimentación. En caso de un apagón, mueva el interruptor a la posición de apagado. Un arranque accidental podría causar lesiones.
- 10. UTILICE LOS PROTECTORES.** Asegúrese de que todos los protectores estén colocados en su sitio, sujetos firmemente y funcionando correctamente para prevenir lesiones.
- 11. quite LAS LLAVES DE AJUSTE Y DE TUERCA ANTES DE ARRANCAR LA MÁQUINA.** Las herramientas, los pedazos de desecho y otros residuos pueden salir despedidos a alta velocidad, causando lesiones.
- 12. UTILICE LA MÁQUINA ADECUADA.** No fuerce una máquina o un aditamento a hacer un trabajo para el que no se diseñó. El resultado podría ser daños a la máquina y/o lesiones.
- 13. UTILICE ACCESORIOS RECOMENDADOS.** La utilización de accesorios y aditamentos no recomendados podría causar daños a la máquina o lesiones al usuario.
- 14. UTILICE EL CORDÓN DE EXTENSIÓN ADECUADO.** Asegúrese de que el cordón de extensión esté en buenas condiciones. Cuando utilice un cordón de extensión, asegúrese de utilizar un cordón que sea lo suficientemente pesado como para llevar la corriente que su producto tome. Un cordón de tamaño insuficiente causará una caída de la tensión de la línea, lo cual producirá una pérdida de potencia y recalentamiento. Consulte el Cuadro de cordones de extensión para obtener el tamaño correcto dependiendo de la longitud del cordón y la capacidad nominal en amperios indicada en la placa de especificaciones. En caso de duda, utilice el próximo calibre más grueso. Cuanto más pequeño sea el número de calibre, más pesado será el cordón.
- 15. SUJETE FIRMEMENTE LA PIEZA DE TRABAJO.** Utilice abrazaderas o un tornillo de carpintero para sujetar la pieza de trabajo cuando resulte práctico. La pérdida de control de una pieza de trabajo puede causar lesiones.
- 16. HAGA AVANZAR LA PIEZA DE TRABAJO CONTRA EL SENTIDO DE ROTACIÓN DE LA HOJA, EL CORTADOR O LA SUPERFICIE ABRASIVA.** Si la hace avanzar desde el otro sentido, el resultado será que la pieza de trabajo salga despedida a alta velocidad.
- 17. NO FUERCE LA PIEZA DE TRABAJO SOBRE LA MÁQUINA.** El resultado podría ser daños a la máquina y/o lesiones.
- 18. NO INTENTE ALCANZAR DEMASIADO LEJOS.** Una pérdida del equilibrio puede hacerle caer en una máquina en funcionamiento, causándole lesiones.
- 19. NO SE SUBA NUNCA A LA MÁQUINA.** Se podrían producir lesiones si la herramienta se inclina o si usted hace contacto accidentalmente con la herramienta de corte.
- 20. NO DEJE NUNCA DESATENDIDA LA MÁQUINA CUANDO ESTÉ EN MARCHA. APÁGUELA.** No deje la máquina hasta que ésta se detenga por completo. Un niño o un visitante podría resultar lesionado.
- 21. APAGUE LA MÁQUINA Y DESCONÉCTELA DE LA FUENTE DE ALIMENTACIÓN** antes de instalar o quitar accesorios, antes de ajustar o cambiar configuraciones o al realizar reparaciones. Un arranque accidental puede causar lesiones.
- 22. HAGA SU TALLER A PRUEBA DE NIÑOS CON CANDADOS E INTERRUPTORES MAESTROS O QUITANDO LAS LLAVES DE ARRANQUE.** El arranque accidental de una máquina por un niño o un visitante podría causar lesiones.
- 23. MANTÉNGASE ALERTA, FÍJESE EN LO QUE ESTÁ HACIENDO Y USE EL SENTIDO COMÚN. NO UTILICE LA MÁQUINA CUANDO ESTÉ CANSADO O BAJO LA INFLUENCIA DE DROGAS, ALCOHOL O MEDICAMENTOS.** Un momento de distracción mientras se estén utilizando herramientas mecánicas podría causar lesiones.
- 24. ▲ ADVERTENCIA EL USO DE ESTA HERRAMIENTA PUEDE GENERAR Y DISPERSAR POLVO U OTRAS PARTÍCULAS SUSPENDIDAS EN EL AIRE, INCLUYENDO POLVO DE MADERA, POLVO DE SÍLICE CRISTALINA Y POLVO DE ASBESTO.** Dirija las partículas de modo que se alejen de la cara y del cuerpo. Utilice siempre la herramienta en un área bien ventilada y proporcione un medio apropiado de remoción de polvo. Use un sistema de recolección de polvo en todos los lugares donde sea posible. La exposición al polvo puede causar lesiones respiratorias graves y permanentes u otras lesiones graves y permanentes, incluyendo silicosis (una enfermedad pulmonar grave), cáncer y muerte. Evite aspirar el polvo y evite el contacto prolongado con el polvo. Si se permite que el polvo entre en la boca o en los ojos, o que se deposite en la piel, se puede promover la absorción de material nocivo. Use siempre protección respiratoria aprobada por NIOSH/OSHA que se ajuste apropiadamente y sea adecuada para la exposición al polvo, y lávese las áreas expuestas con agua y jabón.

REGLAS DE SEGURIDAD ADICIONALES PARA SIERRA DE MESA

▲ ADVERTENCIA

ES IMPORTANTE PARA USTED LEER Y ENTENDER ESTE MANUAL. EL INCUMPLIMIENTO DE LAS INSTRUCCIONES ENUMERADAS DEBAJO PUEDE PROVOCAR DESCARGA ELÉCTRICA, INCENDIO O LESIONES GRAVES.

1. **NO UTILICE ESTA MÁQUINA** hasta que esté completamente montada e instalada de acuerdo con las instrucciones.
2. **OBTenga ASESORAMIENTO** de su supervisor, instructor u otra persona calificada si no está completamente familiarizado con la utilización de esta máquina.
3. **SIGA TODOS LOS CÓDIGOS DE CABLEADO** y las conexiones eléctricas recomendadas.
4. **UTILICE LOS PROTECTORES SIEMPRE QUE SEA POSIBLE.** Asegúrese de que estén colocados en su sitio, sujetos firmemente y funcionando correctamente.
5. **EVITE EL RETROCESO:**
 - A. manteniendo la hoja afilada y libre de herrumbre y resina.
 - B. manteniendo el tope-guía para cortar al hilo paralelo a la hoja de sierra.
 - C. utilizando el protector de la hoja de sierra y el separador para todas las operaciones posibles, incluyendo el aserrado pasante.
 - D. empujando la pieza de trabajo más allá de la hoja de sierra antes de soltarla.
 - E. no cortando nunca al hilo una pieza de trabajo que esté torcida o combada, o que no tenga un borde recto para guiarla a lo largo del tope-guía.
 - F. utilizando tablas de canto biselado cuando no pueda utilizarse el dispositivo antirretroceso.
 - G. no aserrando nunca una pieza de trabajo grande que no pueda ser controlada.
 - H. no utilizando nunca el tope-guía como guía cuando se realicen cortes transversales.
 - I. no aserrando nunca una pieza de trabajo que tenga nudos sueltos u otros defectos.
6. **UTILICE SIEMPRE LOS PROTECTORES, EL SEPARADOR Y LOS DEDOS ANTIRRETROCESO,** excepto cuando se indique otra cosa en el manual.
7. **RETIRE LAS PIEZAS CORTADAS Y LOS RESIDUOS** de la mesa antes de arrancar la sierra. La vibración de la máquina puede hacer que dichas piezas y residuos se muevan hacia la hoja de sierra y salgan despedidos. Después de realizar el corte, apague la máquina. Cuando la hoja se haya detenido completamente, retire todos los residuos.
8. **NUNCA ARRANQUE LA MÁQUINA** con la pieza de trabajo contra la hoja.
9. **SUJETE FIRMEMENTE LA PIEZA DE TRABAJO** contra el calibre de ingletes o el tope-guía.
10. **NUNCA** haga pasar la pieza de trabajo entre el tope-guía y una fresa de moldurar.
11. **NUNCA** realice operaciones "a pulso". Utilice el tope-guía o el calibre de ingletes para posicionar y guiar la pieza de trabajo.
12. **UTILICE UNO O VARIOS PALOS DE EMPUJAR** para cortar al hilo una pieza de trabajo estrecha.
13. **EVITE LAS OPERACIONES DIFÍCILES Y LAS POSICIONES DIFÍCILES DE LAS MANOS** en las que un resbalón repentino podría hacer que una mano se mueva hacia la hoja.
14. **MANTENGA LOS BRAZOS, LAS MANOS Y LOS DEDOS** alejados de la hoja.
15. **NUNCA** haga que alguna parte de su cuerpo esté en línea con la trayectoria de la hoja de sierra.
16. **NUNCA PONGA LAS MANOS ALREDEDOR** de la hoja de sierra ni sobre ella.
17. **NUNCA** intente soltar una hoja de sierra parada sin apagar primero la máquina.
18. **SOPORTE APROPIADAMENTE** las piezas de trabajo LARGAS O ANCHAS.
19. **NUNCA REALICE TRABAJO DE INSTALACIÓN, MONTAJE** o preparación en la mesa/área de trabajo cuando la máquina esté en marcha.
20. **APAGUE LA MÁQUINA Y DESCONÉCTELA** de la fuente de alimentación antes de instalar o quitar accesorios, antes de ajustar o cambiar las preparaciones o al hacer reparaciones.
21. **APAGUE LA MÁQUINA,** desconéctela de la fuente de alimentación y limpie la mesa/área de trabajo antes de dejar la máquina. **BLOQUEE EL INTERRUPTOR EN LA POSICIÓN DE APAGADO** para impedir el uso no autorizado.
22. **HAY DISPONIBLE INFORMACIÓN ADICIONAL RELACIONADA CON LA UTILIZACIÓN SEGURA** y apropiada de esta herramienta a través del Instituto de Herramientas Mecánicas, Power Tool Institute, 1300 Summer Avenue, Cleveland, OH 44115-2851. También hay información disponible a través del Consejo Nacional de Seguridad, National Safety Council, 1121 Spring Lake Drive, Itasca, IL 60143-3201. Sírvase consultar los Requisitos de Seguridad para Máquinas de Elaboración de la Madera ANSI 01.1 del Instituto Nacional Americano de Normas (American National Standards Institute) y las normas OSHA 1910.213 del Departamento de Trabajo de los EE.UU.

GUARDE ESTAS INSTRUCCIONES.

Refiérase a ellas con frecuencia y utilícelas para adiestrar a otros.

CONEXIONES A LA FUENTE DE ALIMENTACIÓN

Debe utilizarse un circuito eléctrico independiente para las máquinas. Este circuito debe tener alambre de no menos del No. 12 y debe estar protegido con un fusible de acción retardada de 20 A. Si se utiliza un cordón de extensión, utilice únicamente cordones de extensión de tres alambres que tengan enchufes de tipo de conexión a tierra con tres terminales y un receptáculo coincidente que acepte el enchufe de la máquina. Antes de conectar el máquina a la línea de alimentación, asegúrese de que el interruptor(s) esté en la posición de apagado y cerciórese de que la corriente eléctrica tenga las mismas características que las que estén indicadas en la máquina. Todas las conexiones a la línea de alimentación deben hacer buen contacto. El funcionamiento a bajo voltaje dañará el máquina.

⚠ ADVERTENCIA RIESGO DE DESCARGA ELÉCTRICA. NO EXPONGA LA MÁQUINA A LA LLUVIA NI LA UTILICE EN LUGARES HÚMEDOS.

INSTRUCCIONES DE CONEXIÓN A TIERRA

⚠ ADVERTENCIA RIESGO DE DESCARGA ELÉCTRICA. ESTA MÁQUINA DEBE ESTAR CONECTADA A TIERRA MIENTRAS SE ESTÉ UTILIZANDO, PARA PROTEGER AL OPERADOR CONTRA LAS DESCARGAS ELÉCTRICAS.

La máquina está cableada para corriente alterna de 120 V., 60 Hz. Antes de conectar la máquina a la fuente de alimentación, asegúrese de que el interruptor esté en la posición de apagado.

1. Todas las máquinas conectadas con cordón conectadas a tierra:

En caso de mal funcionamiento o avería, la conexión a tierra proporciona una ruta de resistencia mínima para la corriente eléctrica, con el fin de reducir el riesgo de descargas eléctricas. Esta máquina está equipada con un cordón eléctrico que tiene un conductor de conexión a tierra del equipo y un enchufe de conexión a tierra. El enchufe debe enchufarse en un tomacorriente coincidente que esté instalado y conectado a tierra adecuadamente, de acuerdo con todos los códigos y ordenanzas locales.

No modifique el enchufe suministrado. Si el enchufe no cabe en el tomacorriente, haga que un electricista calificado instale el tomacorriente apropiado.

La conexión inapropiada del conductor de conexión a tierra del equipo puede dar como resultado riesgo de descargas eléctricas. El conductor con aislamiento que tiene una superficie exterior de color verde con o sin franjas amarillas es el conductor de conexión a tierra del equipo. Si es necesario reparar o reemplazar el cordón eléctrico o el enchufe, no conecte el conductor de conexión a tierra del equipo a un terminal con corriente.

Consulte a un electricista competente o a personal de servicio calificado si no entiende completamente las instrucciones de conexión a tierra o si tiene dudas en cuanto a si la máquina está conectada a tierra apropiadamente.

Utilice únicamente cordones de extensión de tres alambres que tengan enchufes de tipo de conexión a tierra con tres terminales y receptáculos de tres conductores que acepten el enchufe de la máquina, tal como se muestra en la Fig. A.

Repáre o reemplace inmediatamente los cordones dañados o desgastados.

2. Máquinas conectadas con cordón conectadas a tierra diseñadas para utilizarse en un circuito de alimentación que tenga una capacidad nominal de menos de 150 V:

Si la máquina está diseñada para utilizarse en un circuito que tenga un tomacorriente parecido al que se ilustra en la Fig. A, la máquina tendrá un enchufe de conexión a tierra que se parece al enchufe ilustrado en la Fig. A. Puede utilizarse un adaptador temporal, que se parece al adaptador ilustrado en la Fig. B, para conectar este enchufe a un receptáculo coincidente de dos conductores, tal como se muestra en la Fig. B, si no se dispone de un tomacorriente conectado a tierra apropiadamente. El adaptador temporal debe utilizarse solamente hasta que un electricista calificado pueda instalar un tomacorriente conectado a tierra apropiadamente. La orejeta, lengüeta, etc., rígida de color verde que sobresale del adaptador debe conectarse a una toma de tierra permanente, como por ejemplo una caja tomacorriente conectada a tierra adecuadamente. Siempre que se utilice un adaptador, debe sujetarse en su sitio con un tornillo de metal.

NOTA: En Canadá, el uso de un adaptador temporal no está permitido por el Código Eléctrico Canadiense.

⚠ ADVERTENCIA RIESGO DE DESCARGA ELÉCTRICA. EN TODOS LOS CASOS, ASEGÚRESE DE QUE EL RECEPTÁCULO EN CUESTIÓN ESTÉ CONECTADO A TIERRA ADECUADAMENTE. SI NO ESTÁ SEGURO, HAGA QUE UN ELECTRICISTA CALIFICADO COMPRUEBE EL RECEPTÁCULO.

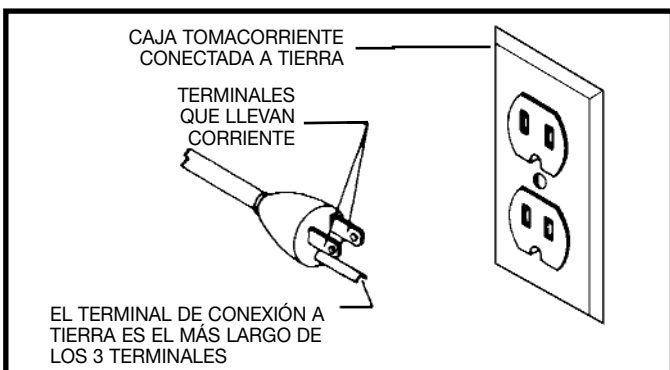


Fig. A

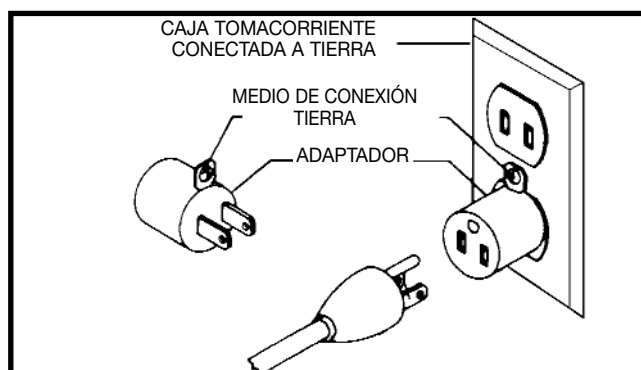


Fig. B

CORDONES DE EXTENSION

PRECAUCIÓN Utilice cordones de extensión apropiados. Asegúrese de que el cordón de extensión esté en buenas condiciones y de que sea un cordón de extensión de tres alambres que tenga un enchufe de tipo de conexión a tierra con tres terminales y un receptáculo coincidente que acepte el enchufe de la máquina. Cuando utilice un cordón de extensión, asegúrese de emplear un cordón que sea lo suficientemente pesado como para llevar la corriente de la máquina. Un cordón de tamaño insuficiente causará una caída de la tensión de la línea eléctrica que dará como resultado pérdida de potencia y recalentamiento. En la Fig. C se muestra el calibre correcto que debe utilizarse dependiendo de la longitud del cordón. En caso de duda, utilice el siguiente calibre más pesado. Cuanto más pequeño sea el número de calibre, más pesado será el cordón.

CORDÓN DE EXTENSIÓN DE CALIBRE MÍNIMO			
TAMAÑOS RECOMENDADOS PARA USO CON MÁQUINAS ELÉCTRICAS ESTACIONARIAS			
Capacidad Nominal En Amperios	Voltios	Longitud Total Del Cordón En Pies	Calibre Del Cordón De Extensión
0-6	120	Hasta 25	18 AWG
		25-50	16 AWG
		50-100	16 AWG
		100-150	14 AWG
6-10	120	Hasta 25	18 AWG
		25-50	16 AWG
		50-100	14 AWG
		100-150	12 AWG
10-12	120	Hasta 25	16 AWG
		25-50	16 AWG
		50-100	14 AWG
		100-150	12 AWG
12-16	120	Hasta 25	14 AWG
		25-50	12 AWG
		NO SE RECOMIENDA LONGITUDES MAYOR DE 50 PIES	

Fig. C

INSTRUCCIONES DE FUNCIONAMIENTO

INTRODUCCIÓN

Modelo BD200SD es una sierra de mesa de 10" diseñada para brindar un rendimiento de alta calidad, con una capacidad de profundidad de corte de hasta 3" (76 mm) a 90° y 2" (51 mm) a 45°, para cortar limpiamente tamaños de material estándar.

NOTA: LA FOTO DE LA CUBIERTA DEL MANUAL ILUSTR A EL MODELO DE PRODUCCIÓN ACTUAL. TODAS LAS DEMÁS ILUSTRACIONES SON SOLAMENTE REPRESENTATIVAS Y ES POSIBLE QUE NO MUESTREN EL COLOR, EL ETIQUETADO Y LOS ACCESORIOS REALES.

CONTENIDO DE CARTÓN

SIERRA MOTORIZADA DE BANCO PARTES

La Fig. 1 ilustra la sierra removida de su caja y la Fig. 2 en Fig. 3, ilustra todos los artículos sueltos que se adjuntan con la sierra. La fig. 4, ilustra todos los items flojos pila de discos para el soporte.

Fig. 2 PARTES

1. Guía de corte a lo largo
2. Ensamblaje de hendidor y protector
3. Agarradera de cierre para la guía de corte a lo largo
4. Volante de mano de elevación y bajado de hoja
5. Escuadra de ingletes
6. Soporte de apoyo del hendidor
7. Soporte del hendidor
8. Agarradera de cierre para la guía de corte a lo largo
9. Portador de la escuadra de ingletes
10. Abrazadera de muelle para el portador de la escuadra de ingletes
11. Llave De la Lámina

Fig. 3 Accesorios

1. M6x1x55mm Tornillo de la pista de la cacerola de (1)
2. 1/4-20x2" Tornillo Principal De Tuerca hexagonal (1)
3. M6x1x20mm Tornillo Principal De Tuerca hexagonal (1)
4. 1/4-20x1/2" Tornillo Principal De Tuerca hexagonal (2)

5. M6x1x12mm Plano Principal Tornillo (1)
6. M4x.7x10mm Tornillo Principal De la Cacerola (1)
7. M4x.2x10mm Tornillo Principal De la Cacerola (4)
8. M8x1.25 Tuerca hexagonal (1)
9. M6x1 Tuerca De Ala (1)
10. M4.7 Tuerca hexagonal (1)
11. M6.4 Plana Arandela (3)
12. 1/4" Arandela de cierre Interna Del Diente (1)
13. 1/4" Arandela de cierre Externa Del Diente (5)
14. 3/16" Plana Arandela (4)
15. 3/16" Arandela Plana Del Diente Externo (1)

Fig. 4 Accesorios de la base

1. Pies (4) (2 con orificios en la base para montar el soporte de la rueda y la abrazadera)
2. Arandela plana de 3/8" para montar la sierra en la base de soporte & para montar la base de soporte (24)
3. Pie (4)
4. Tuerca hexagonal M8 para montar la sierra en la base de soporte & para montar la base de soporte (20)
5. Tornillo hexagonal M8 x 45 mm para montar la sierra en la base de soporte (4)
6. Pernos de carruaje M8x1.25x 20 mm para montar la base de soporte (16)
7. Ménsulas superiores delanteras y traseras de 18-1/2" (2)
8. Ménsulas laterales superiores de 17" (2)
9. Ménsulas inferiores delanteras y traseras de 22" (2)
10. Ménsulas laterales inferiores de 20-3/8" (2)
11. Ensamble de la rueda (2)
12. Abrazadera de 635 mm (25") (1)

DESEMPAQUETADO Y LIMPIEZA

Desempaque cuidadosamente la máquina y todas las piezas sueltas que están en el contenedor o contenedores de transporte. Quite el revestimiento protector de todas las superficies no pintadas. Este revestimiento puede quitarse con un paño suave humedecido con queroseno (no utilice acetona, gasolina ni diluyente de laca para este fin). Después de realizar la limpieza, cubra las superficies no pintadas con una cera en pasta doméstica de buena calidad para pisos.

ENSAMBLAJE

HERRAMIENTAS DE ENSAMBLAJE REQUERIDAS

NINGUNOS PROVISTOS

- * El destornillador de cruz
- * 13mm llave de boca

- * 10mm llave de boca
- * Orilla recta

ESTIMACIÓN DEL TIEMPO DE ENSAMBLAJE - 60 minutos

ELEVAR Y SUPERFICIES SECUNDARIAS PARA UN VIO CON NINGÚN SOPORTE

⚠ ADVERTENCIA EL VIO DEBE SER ASEGURADO APROPIADAMENTE A UNA SUPERFICIE SECUNDARIA. TAMBIÉN, USTED DEBE PROPORCIONAR UN HOYO PARA EL SERRÍN PARA CAERSE POR O EL POLVO REUNIRÁ ALREDEDOR DEL MOTOR, CAUSANDO UN PELIGRO POSIBLE DEL FUEGO Y/O EL DAÑO DEL MOTOR.

⚠ ADVERTENCIA DESCONECTE LA MÁQUINA DE FUENTE DE ENERGÍA.

El vio debe ser elevado bastante para serrín para fracasar el fondo del vio y no construye alrededor del motor.

Posicione los cuatro hoyos que montan localizado en la base del vio gabinete (dos de que se muestran en (A) Fig. 4A) sobre cualquier apoyo apropiado que usted utilizan. Entonces abroche seguramente el vio a los apoyos. El vio puede ser asegurado abrochando el soporte por los hoyos que montan con hardware conveniente (no suministrado).

⚠ ADVERTENCIA EL VIO APOYO DEBE SER FIJO Y CAPAZ DE SOSTENER 300 LIBRAS.

Usted puede construir también un apoyo elevado sencillo, como mostrado en el Fig. 4B.

⚠ ADVERTENCIA UTILICE UN BUEN GRADO DEL CHAPEADO CON UN GRUESO MÍNIMO DEL 3/4 PULG. NO HAGA EL TABLERO DEL MONTAJE DE TABLERO DE PARTÍCULA PUESTO QUE EL TABLERO DE PARTÍCULA SE ROMPE FÁCILMENTE.

⚠ ADVERTENCIA UN HOYO SE DEBE PROPORCIONAR EN ESTE APOYO PARA PERMITIR EL SERRÍN PARA FRACASAR.

Cuadre el vio en la superficie secundaria y marca la ubicación para cuatro 5/16 hoyos de pulgada para ser taladrada (Fig. 4B).

⚠ ADVERTENCIA ASEGÚRESE DE QUE HAYA POR LOS MENOS 76,2 MM (3") EN LOS CUATRO LADOS DE LA BASE.

Aleje la sierra y luego realice los orificios en estas marcas. Ubique y marque un cuadrado de 279 ó 305 mm (11" ó 12") centrado entre los cuatro orificios de montaje. Corte y quite el cuadrado (Fig. 4B). Para elevar la superficie de apoyo, mida dos 2 x 4 (A) Fig. 4B al ancho de dos lados opuestos de la superficie de

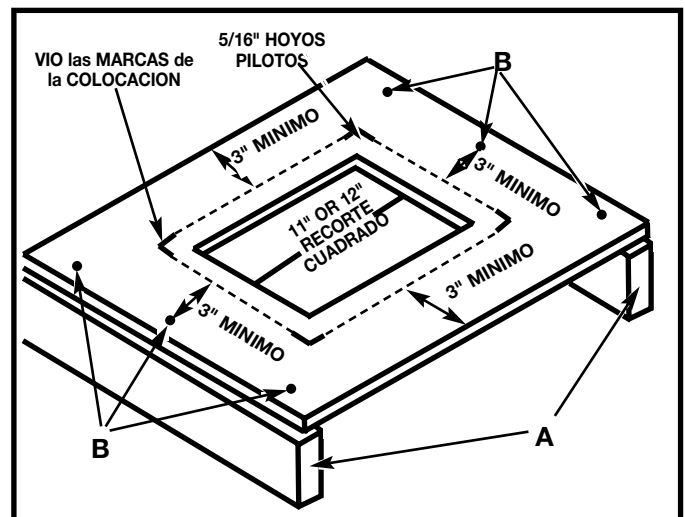


Fig. 4B

apoyo. Fije la superficie de apoyo a los bordes angostos de los 2 x 4 (como se muestra en la Figura 4B) con tornillos para madera (no suministrados) en al menos tres puntos (B) Fig. 4B de cada lado.

Sujete la sierra a la superficie insertando el equipo adecuado (no suministrado) a través de los orificios de montaje en la sierra y dentro de los orificios previamente taladrados. Cuando utilice la sierra, quite periódicamente el aserrín acumulado debajo de la misma.

ENSAMBLADO DEL PORTADOR DE LA ESCUADRA DE INGLETES

▲ ADVERTENCIA DESCONCTE LA MAQUINA DE LA FUENTE DE ALIMENTACION.

1. Ensamble fig. 5 del (E) del clip de resorte, el (A) del sostenedor de la galga de los ingletes según lo mostrado usando un tornillo de la pista de la cacerola de M4x.7x10mm (F), el (B) de la arandela de cierre del diente del 3/16" y la tuerca de tuerca hexagonal externos M4x.7.

NOTA: La fig. 6 del (G) de la tuerca de tuerca hexagonal, cabrá en el receso en la parte posterior del (A) fig. 5 del sostenedor de la galga de los ingletes para guardar fig. 5 del (E) del clip de resorte, asegurada al sostenedor de la galga de los ingletes.

2. Ensamble el portador de la escuadra de ingletes (A) Fig. 7 a la izquierda del gabinete de la sierra utilizando los cuatro M4x.2x10mm tornillos (B) Fig. 8, y 3/16 plug. arandelas (C) desde el interior del gabinete de la sierra.
3. La Fig. 9 ilustra la escuadra de ingletes (D) insertado en el portador de la escuadra de ingletes cuando no se encuentra en uso.

ESCUADRA DE INGLETES

La escuadra de ingletes se envía completamente ensamblado y viene equipado con una barra de escuadra de ingletes con ranura en T (A) Fig. 10, que se inserta en uno de las dos ranuras para escuadras de ingletes con ranuras en T, localizadas en la superficie de la mesa, como se ilustra aquí. La escuadra de ingletes con ranura en T impide que la escuadra se caiga al ser extendido más allá del frente de la mesa durante el corte transversal de materiales extremadamente anchos.

MONTAJE DE LA BASE DE SOPORTE

1. Fije las patas de goma (H) Fig. 11 a la parte inferior de cada pie (F). Ubique los dos pies (F) que tienen orificios en la parte inferior para fijar los soportes de la rueda (G) y la abrazadera (E). (Asegúrese de que las ruedas y los soportes estén bien orientados. Consulte el recuadro de la Figura 11). Para fijar los soportes, retire las tuercas de los pernos e inserte los pernos a través de los orificios de la parte inferior de los dos pies y en los orificios de la abrazadera (E). Enrosque nuevamente las tuercas en los pernos y ajuste. Monte la base como se muestra en la Figura 11, con 16 pernos de cabeza de hongo M8 x 1,25 x 20 mm, arandelas planas de 9,52 mm (3/8") y tuercas hexagonales M8 x 1,25. Alinee los orificios en los pies de la base (f) con los orificios en los soportes. Inserte el perno de cabeza de hongo a través del orificio en el pie y en el soporte, coloque una arandela plana en el perno de cabeza de hongo y enrosque en el mismo una tuerca hexagonal. Repita este proceso para los 15 orificios restantes en los pies y los soportes.

NOTA: Fije el equipo sin excesiva firmeza para un ajuste posterior.

Hay letras estampadas en las ménsulas de la base de soporte para facilitar el montaje.

- A - Ménsulas superiores delanteras y traseras
- B - Ménsulas laterales superiores
- C - Ménsulas laterales inferiores
- D - Ménsulas inferiores delanteras y traseras
- E - Abrazadera inferior

NOTA: Cada pie de goma está provisto con agujeros para montar la base de soporte en la superficie del piso en caso de que se requiera hacerlo.

COLOCACIÓN DE LA BOLSA

1. Coloque la bolsa recolectora de polvo en el marco de la bolsa y coloque el marco de la bolsa recolectora de polvo dentro de la base de la sierra como se muestra en la Figura 12.

SIERRA QUE ENSAMBLA

1. La vuelta vio la tabla hacer frente abajo en un pedazo de cartulina para proteger la superficie de la tabla. Alinee los cuatro agujeros en el gabinete de la sierra con los cuatro agujeros en el soporte.
2. Coloque una arandela el 3/8" plana sobre un tornillo principal de tuerca hexagonal de M8x1.25x45mm. Inserte el tornillo a través del agujero en el soporte y del agujero en la sierra. Coloque una arandela el 3/8" plana sobre el tornillo y rosque una tuerca de tuerca hexagonal M8x1.25 sobre el tornillo y apriete con seguridad. Repita este proceso para los tres agujeros restantes.
3. Coloque la sierra en posición vertical, como se muestra en la Figura 13 (aquí la sierra se muestra totalmente armada).
4. Empuje hacia abajo encima de la sierra así que las piernas del soporte ajustan a la superficie del piso y aprietan todo el hardware del soporte.

ENSAMBLADO DEL VOLANTE DE INCLINACION Y ELEVADO DE HOJA

1. Inserte el tornillo de M6x1x55 screw (D) Fig. 14, a través de la agarradera (E) y ensamble la agarradera (E) al volante de mano (A) mediante el roscado del tornillo (D) en el sentido de las manecillas del reloj hacia dentro del volante de mano.
⚠ ADVERTENCIA
2. Ensamble el volante de mano (A) Fig. 15 al eje (B), asegurando que el plano en el lado interior del volante de mano se alinee con el plano del eje.
⚠ ADVERTENCIA
3. Fije el volante de mano (A) Fig. 16 al eje, utilizando el tornillo M6x1x12mm screw (C).

ENSAMBLADO DEL ENSAMBLAJE DE PROTECTOR DE HOYA Y HENDIDOR

DESCONCTE LA MAQUINA DE LA FUENTE DE ALIMENTACION.

EL ENSAMBLADO DE PROTECTOR DE HOJA Y HENDIDOR DEBE ESTAR CORRECTAMENTE ALINEADO CON LA HOJA DE LA SIERRA PARA PREVENIR LOS CONTRAGOLPES.

1. Coloque la hoja a 90 grados de la mesa y fijela en su sitio.
2. Afiance el soporte de apoyo del hendidor (A) Fig. 17 al soporte del hendidor (B) haciendo uso de los dos tornillos de 1/4-20x1/2" de largo (C), que fueron quitados anteriormente del soporte del hendidor (B), y dos arandelas (C) de cierre de dientes externos de 1/4 de pulg. como se ilustra aquí.

AVISO: No apriete los tornillos (C) del todo en este momento.

3. Localice el tornillo de cabeza hexagonal de 1/4-20x2 pulg. de largo (G) Fig. 18, y ensamble la 1/4 pulg. arandela de cierre con dientes internos (O), 1/4 pulg. arandela plana (P), y 1/4 pulg. arandela con dientes externos (R) al tornillo (G).
4. Coloque el extremo embutido (E) Fig. 19 de la abrazadera del hendedor (B) contra el extremo de la barra giratoria (F) y ajuste utilizando el ensamble del **PASO 3. NOTA:** Todavía no ajuste por completo el tornillo (G). El ensamble se muestra en la figura 20.

NOTA: Fije el equipo sin excesiva firmeza para un ajuste posterior.

5. Coloque el hendidor (H) Fig. 21 sobre el soporte de apoyo del hendidor como se ilustra aquí, asegurándose que las dos protuberancias (K) en el soporte de apoyo del hendidor estén dentro de la ranura del hendidor (H).
6. Monte el hendidor (H) Fig. 22 al soporte de apoyo del hendidor (B) según se ilustra, utilizando para ello un tornillo de cabeza hexagonal de M6x1x20mm pulg. de largo, una arandela de dientes externos, y una M6 arandela plana (L).
7. Inserte el tornillo (L), Fig. 22 a través de la abrazadera del soporte del hendedor (C) y del hendedor (H). Coloque una arandela plana M6,4 y una arandela de bloqueo de diente externo de 6,35 mm (1/4") en el tornillo (L). Enrosque una tuerca mariposa M6 x 1(M) Fig. 23 en el tornillo (L) Fig. 23.

AVISO: Antes de apretar la tuerca de mariposa (M) Fig. 23, asegúrese de que haya una abertura de por lo menos 1/8 pulg. entre el borde inferior del hendidor (N) y la superficie superior de la mesa (P), y que las protuberancias (K) Fig. 23 estén dentro de la ranura del ensamblaje del hendidor (H).

8. Utilizando una regla recta, revise si el hendidor (H) Fig. 24 está alineado con la hoja de la sierra (R). Si resulta necesario hacer cualquier ajuste, el hendidor (H) puede ser movido a la izquierda o a la derecha y puede ser rotada.
9. Cuando esté seguro que el hendidor está debidamente alineado con la hoja de la sierra, apriete los dos tornillos (C) Fig. 25 que fijan el soporte de apoyo del hendidor al soporte del hendidor, y apriete el tornillo (G) que fija el soporte del hendidor a la varilla pivotante.

ENSAMBLADO DE LA GUIA DE CORTE A LO LARGO

1. Enrosque la M8x1.25 tuerca de cierre (A) Fig. 26 aproximadamente a la mitad del camino sobre el gorrón de la agarradera (B).
2. Enrosque la tuerca de cierre (B) Fig. 26 dentro del agujero roscado (C) en la leva de la guía (D). Apriete la tuerca de cierre (A) Fig. 27 contra la leva (D).
3. La guía de corte a lo largo es accionada generalmente desde el lado derecho de la mesa de la sierra. Levante la agarradera de cierre (B) Fig. 28 y coloque la guía sobre la mesa como se ilustra aquí. Empuje la agarradera hacia abajo (B) Fig. 28, para bloquear la guía en su sitio sobre la mesa de la sierra.

TRASLADO DE LA SIERRA

Para trasladar la sierra, tome el lado de la mesa opuesto a las ruedas. Levante apenas la sierra del suelo y empuje la mesa hasta la posición deseada como se muestra.

⚠ PRECAUCIÓN No todos los pisos son totalmente uniformes, revise ambas ruedas cada vez que traslade la sierra para asegurarse de que no se traben en el piso cuando la sierra esté en reposo. Asegúrese de que todos los pernos estén bien ajustados.

OPERACIÓN

CONTROLES Y AJUSTES OPERACIONALES

ARRANGANDO Y DETENIENDO LA SIERRA

El interruptor (A) Fig. 29 está localizado en el tablero delantero del gabinete de la sierra. Para encender la sierra, mueva el interruptor (A) a la posición superior. Para apagar la sierra, mueva el interruptor (A) a la posición inferior.

⚠ ADVERTENCIA **ASEGÚRESE DE QUE EL INTERRUPTOR ESTÉ EN LA POSICIÓN "OFF" (DE APAGADO) ANTES DE ENCHUFAR EL CABLE DE ALIMENTACIÓN. EN CASO DE UN CORTE DE CORRIENTE, MUEVA EL INTERRUPTOR A LA POSICIÓN "OFF" (DE APAGADO). UN ARRANQUE ACCIDENTAL PODRÍA CAUSAR LESIONES.**

FIJANDO EL INTERRUPTOR EN LA POSICION DE APAGADO

IMPORTANTE: Sugerimos que cuando la sierra no se encuentre en uso que el interruptor quede fijado en la posición de apagado. Esto puede hacerse tomando la pieza acodada (B) y removiéndolo por completo del interruptor, tal como se ilustra en la Fig. 30. El interruptor no funcionará sin la pieza acodada (B). No obstante, si se quita la pieza acodada mientras que la sierra está funcionando, ésta puede ser apagada una vez, pero no puede volver a arrancar sin la inserción de la pieza acodada (B).

CONTROL DE ELEVACION Y BAJADO DE LA HOJA

Para alzar o bajar la hoja de la sierra, gire el volante de mano (A) Fig. 31. El girar en el sentido de las manecillas del reloj baja la hoja, y el girar el volante de mano contra las manecillas del reloj eleva la hoja.

CONTROL DE INCLINACION DE LA HOJA

Para inclinar la hoja de la sierra, afloje la agarradera de cierre (A) Fig. 32 y gire el volante de mano (B) hasta conseguir el ángulo deseado. Vuelva a apretar entonces la agarradera de cierre (A).

AVISO: La agarradera de cierre (A) está cargada con resortes y puede ser reposicionada al tirar de la agarradera (A), colocándola sobre el gorrón aserrado localizado debajo de la agarradera.

⚠ ADVERTENCIA **LA AGARRADERA DE CIERRE DE INCLINACION DE HOJA (A) DEBE ESTAR CERRADA DURANTE TODAS LAS FUNCIONES DE CORTE.**

AJUSTANDO LOS TOPES POSITIVOS DE 90 Y 45 GRADOS

Su sierra está equipada con topes positivos que colocarán rápida y precisamente la hoja de la sierra a 90 y a 45 grados a la mesa.

⚠ ADVERTENCIA **DESCONCTE LA MAQUINA DE LA FUENTE DE ALIMENTACION.**

PARA AJUSTAR EL TOPE POSITIVO A LOS 90 GRADOS

1. Eleve la hoja de la sierra a su elevación máxima.
2. Afloje la agarradera de cierre de inclinación de hoja (A) Fig. 32, mueva el mecanismo de inclinación de hoja (B) lo más lejos posible hacia la izquierda y apriete la agarradera de cierre de inclinación de hoja (A).
3. Coloque una escuadra (A) Fig. 33 sobre la mesa y contra la hoja, tal como se ilustra, y revise si la hoja se encuentra a 90 grados de la mesa. Si la hoja no se encuentra a 90 grados a la mesa, afloje el tornillo (B) Fig. 33 unas cuantas vueltas, y mueva el mecanismo de inclinación de hoja hasta que la hoja quede a 90 grados a la mesa. Ajuste entonces la agarradera de cierre de inclinación de hoja Fig. 32 (A) y apriete el tornillo (B) Fig. 33 hasta que haga fondo.

PARA AJUSTAR EL TOPE POSITIVO A LOS 45 GRADOS

1. Eleve la hoja de la sierra a su elevación máxima.
2. Afloje la agarradera de cierre de inclinación de hoja Fig. 32A, mueva el mecanismo de inclinación de hoja (B) lo más lejos posible hacia la derecha y apriete la agarradera de cierre de inclinación de hoja (A).

3. Coloque una escuadra (A) Fig. 34 sobre la mesa y contra la hoja, tal como se ilustra, y revise si la hoja se encuentra a 45 grados a la mesa. Si la hoja no se encuentra a 45 grados a la mesa, afloje el tornillo (C) Fig. 34 unas cuantas vueltas y mueva el mecanismo de inclinación de hoja hasta (B) Fig. 32 que la hoja quede a 45 grados de la mesa. Ajuste entonces la agarradera de cierre de inclinación de hoja y apriete el tornillo Fig. 34 (C) hasta que haga fondo.

FUNCIONAMIENTO Y AJUSTES DE LA GUIA DE CORTE A LO LARGO

1. Para mover la guía de corte a lo largo (A) Fig. 35, a lo largo de la mesa, levante la palanca de cierre (B), deslice la guía a la posición deseada en la mesa y empuje la palanca de cierre de la guía (B) hacia abajo para fijar la guía a dicha posición.
2. Se suministra un indicador para señalar la distancia en que se ha fijado la guía desde la hoja de la sierra. Si resulta necesario ajustar el indicador, afloje el tornillo (C) Fig. 35 que fija el indicador al soporte de la guía de corte a lo largo y ajuste el indicador conforme a los requisitos.

IMPORTANTE: La guía de corte a lo largo debe estar debidamente alineada a la ranura de la escuadra de ingletes para prevenir contragolpes durante el corte a lo largo.

3. La hoja de la sierra está colocada de forma paralela a la ranura de la escuadra de ingletes en la fábrica, y la guía debe estar paralela a la ranura de la escuadra de ingletes para realizar una labor acertada e impedir los contragolpes durante el corte a lo largo. Para revisar el alineamiento, haga lo siguiente:
4. Coloque la guía en un extremo de la ranura de la escuadra de ingletes, tal como se ilustra en la Fig. 35. Fije la guía a la mesa empujando la palanca de cierre (B) hacia abajo. El borde de la guía debe quedar entonces paralela a la ranura de la escuadra de ingletes.
5. Si resulta necesario cualquier ajuste, haga lo siguiente:
Afloje los dos tornillos (D) Fig. 35, y levante la palanca de cierre (B). Entonces, mientras que detiene el soporte de la guía (F) firmemente hacia usted, mueva la parte posterior de la guía (A) hasta que quede paralela con la ranura de la escuadra de ingletes. Apriete entonces los dos tornillos (D) y empuje la palanca de cierre (B) hacia abajo.
6. La acción de abrazadera de la guía (A) Fig. 35, puede ajustarse al levantar la palanca de cierre (B) y girando el tornillo (E) en el sentido de las manecillas del reloj para apretar, o en el sentido contrario para reducir la acción de abrazadera de la guía.

AJUSTE DEL INSERTO PARA MESA

▲ ADVERTENCIA DESCONCTE LA MAQUINA DE LA FUENTE DE ALIMENTACION.

1. Cerciórese de que la fig. 36 (A) del separador de millares del vector (a), sea rasante con o slightly debajo de la superficie de la tapa de vector (B).
2. Si el inserto para mesa está por encima de la superficie de la mesa, ajuste los dos tornillos del inserto (C) Fig. 36 para hacerlo descender.

FUNCIONAMIENTO Y AJUSTES DE LA ESCUADRA DE INGLETES

Al realizar cortes transversales (la hoja fijada a 90 grados de la mesa), la escuadra de ingletes puede utilizarse en cualquiera de las ranuras de la mesa. Cuando realiza un corte transversal biselado (con la hoja inclinada), sólo utilice la escuadra de ingletes en la ranura derecha, en la cual la hoja está inclinada en la dirección opuesta de la escuadra de ingletes y de sus manos.

Para accionar la escuadra de ingletes, sencillamente afloje la perilla de cierre (E) Fig. 37 y mueva el cuerpo de la escuadra de ingletes al ángulo deseado.

AJUSTANDO LA HOJA PARALELAMENTE A LAS RANURAS DE LA ESCUADRA DE INGLETES

La hoja fue ajustada de fábrica paralelamente a las ranuras de la escuadra de ingletes. Para asegurar cortes acertados y ayudar a prevenir los contragolpes durante el cortado, este ajuste debe verificarse de nuevo. Para ajustar:

▲ ADVERTENCIA DESCONCTE LA MAQUINA DE LA FUENTE DE ALIMENTACION.

1. Eleve la hoja a su elevación máxima y ajuste la hoja para que quede a 90 grados de la mesa.
2. Escoja un diente en la hoja de la sierra que esté colocado hacia la izquierda. Marque dicho diente con un lápiz o marcador.
3. Utilizando una escuadra ajustable, coloque el cuerpo de la escuadra (A) Fig. 38 contra la escuadra de ingletes y ajuste la hoja (B) de la escuadra hasta que se roce con el diente marcado, como se ilustra aquí.
4. Gire la hoja y revise el mismo diente marcado en la parte posterior de la mesa, como se ilustra en la Fig. 39.
5. Si las medidas delanteras y posteriores, mostradas en las Figuras 38 y 39, no son idénticas, afloje los cuatro tornillos (C) Fig. 40. Antes aflojar los tornillos, aflojan las nueces bajo la mesa localizada debajo de cada tornillo. Tome la hoja de la sierra cuidadosamente y muévela hasta que la hoja quede paralela a la ranura de la escuadra de ingletes. Apriete entonces los cuatro tornillos (C) Fig. 40 firmemente.

AVISO: Si no se puede realizar un ajuste suficiente aflojando los tornillos (C), los tornillos (D) también Fig. 40 pueden ser aflojados si resulta totalmente necesario para realizar el ajuste.

CAMBIO DE LA HOJA

⚠ ADVERTENCIA DESCONECTE LA MÁQUINA DE LA FUENTE DE ALIMENTACIÓN. UTILICE HOJAS DE SIERRA CON UN DIÁMETRO DE 254 MM (10") CALIFICADAS PARA 4700 RPM O MAYOR. UTILICE ÚNICAMENTE HOJAS DE SIERRA CON ORIFICIOS PARA MANDRIL DE 16 MM (5/8").

1. NOTA: Junto con la sierra se suministra una llave de 22,2 mm (7/8") para cambiar la hoja de la sierra.
2. Retire el inserto para mesa (A) Fig. 41, y levante la hoja de la sierra (F) hasta su posición máxima.
3. Para retirar la hoja, coloque la llave (D) en la parte plana de la tuerca del eje (C) para evitar que el eje gire. Coloque una pieza de madera (B) en forma plana sobre la mesa, contra la hoja, de manera que un diente de la hoja pueda "agarrar" la madera y así evitar que la hoja gire. Utilice la llave para girar la tuerca del eje hacia el frente de la sierra. Retire la tuerca del eje, la brida de la hoja (E) y la hoja de la sierra.
4. Coloque la hoja nueva, asegurándose de que los dientes miren hacia el frente de la mesa de la sierra e instale la brida de la hoja externa y la tuerca del eje. Utilice la pieza de madera (B) para evitar que la hoja gire y ajuste la tuerca del eje girando la llave (D) hacia la parte posterior de la sierra.
5. Vuelva a colocar el inserto para mesa.

UTILIZAR LA MAQUINA

Las operaciones de aserrado comunes incluyen el corte al hilo y el corte transversal, y unas cuantas operaciones estándar más que son de naturaleza fundamental. Al igual que sucede con todas las máquinas eléctricas, hay una cierta cantidad de peligro involucrado con la operación y el uso de la máquina. La utilización de la máquina con el respeto y la precaución exigidos, en lo que se refiere a precauciones de seguridad, reducirá considerablemente la posibilidad de que se produzcan lesiones corporales. Sin embargo, si no se hace caso de las precauciones de seguridad normales o si éstas se ignoran completamente, el resultado puede ser que el operador sufra lesiones corporales. La información que aparece a continuación describe el método seguro y adecuado de realizar las operaciones de aserrado más comunes.

⚠ ADVERTENCIA EL USO DE ADITAMENTOS Y ACCESORIOS NO RECOMENDADOS POR DELTA PUEDE CAUSAR RIESGO DE LESIONES PARA EL USUARIO Y OTRAS PERSONAS.

REALIZACIÓN DE CORTES TRANSVERSALES

La realización de cortes transversales requiere el uso del calibre de ingletes para posicionar y guiar la pieza de trabajo. Coloque la pieza de trabajo contra el calibre de ingletes y haga avanzar tanto dicho calibre como la pieza de trabajo hacia la hoja de sierra, de la manera que se muestra en la Fig. 42. El calibre de ingletes se puede utilizar en cualquiera de las dos ranuras de la mesa. Cuando realice cortes en bisel (con la hoja inclinada), utilice la ranura de la mesa que no cause interferencia de la mano o del calibre de ingletes con el protector de la hoja de sierra.

Comience el corte lentamente y sujete firmemente la pieza de trabajo contra el calibre de ingletes y la mesa.

⚠ ADVERTENCIA UNA DE LAS REGLAS PARA UTILIZAR UNA SIERRA ES QUE EL OPERADOR NO DEBE

AGARRARSE NUNCA A UNA PIEZA DE TRABAJO LIBRE NI TOCARLA.

Sujete la pieza de trabajo soportada, no la pieza libre que se esté cortando. El avance en la realización de un corte transversal continúa hasta que la pieza de trabajo esté cortada en dos y se tire hacia atrás del calibre de ingletes y la pieza de trabajo hasta el punto de comienzo. Antes de tirar hacia atrás de la pieza de trabajo, es buena costumbre desplazar lateralmente un poco la pieza de trabajo para moverla alejándola ligeramente de la hoja de sierra. No recoja nunca de la mesa ningún tramo de longitud corta de pieza de trabajo libre mientras la sierra esté en marcha. No toque nunca una pieza que se esté cortando, a menos que mida al menos un pie de longitud.

Para brindar seguridad y conveniencia adicionales, el calibre de ingletes (A) se puede equipar con un refrentado de madera auxiliar (B), de la manera que se muestra en la Fig. 42A, que debe ser al menos 1 pulgada más alto que la profundidad de corte máxima y debe sobresalir 12 pulgadas o más a un lado o al otro, dependiendo de qué ranura para el calibre de ingletes se esté utilizando. Este refrentado de madera auxiliar (B) se puede sujetar a la parte delantera del calibre de ingletes utilizando dos tornillos para madera (C) a través de los agujeros provistos en el cuerpo del calibre de ingletes e introduciéndolos en el refrentado de madera.

⚠ ADVERTENCIA NO USE NUNCA EL TOPE-GUÍA COMO CALIBRE DE CORTE CUANDO REALICE CORTES TRANSVERSALES.

Al cortar transversalmente varias piezas de la misma longitud, se puede sujetar con abrazaderas un bloque de madera (B), Fig. 42B, al tope-guía y se puede utilizar dicho bloque como calibre de corte, de la manera que se muestra en la Fig. 42B. Es importante que este bloque de madera esté posicionado siempre delante de la hoja de sierra, de la manera que se muestra en la ilustración. Una vez que se haya determinado la longitud de corte, sujete firmemente el tope-guía y use el calibre de ingletes para hacer avanzar la pieza de trabajo hacia el corte. Este bloque de madera permite que la pieza que se esté cortando se mueva libremente a lo largo de la superficie de la mesa sin atorarse entre el tope-guía y la hoja de sierra, con lo que se reduce la posibilidad de retroceso y de que el operador sufra lesiones.

⚠ ADVERTENCIA CUANDO UTILICE EL BLOQUE (B), FIG. 42B, COMO CALIBRE DE CORTE, ES MUY IMPORTANTE QUE EL EXTREMO TRASERO DEL BLOQUE ESTÉ POSICIONADO DE MANERA QUE LA PIEZA DE TRABAJO NO TOQUE EL BLOQUE ANTES DE ENTRAR EN CONTACTO CON LA HOJA.

REALIZACIÓN DE CORTES AL HILO

La realización de cortes al hilo consiste en cortar longitudinalmente a través de una tabla. El tope-guía para cortar al hilo (A), Fig. 43, se utiliza para posicionar y guiar la pieza de trabajo. Un borde de la pieza de trabajo se desplaza contra el tope-guía para cortar al hilo, mientras que el lado plano de la tabla descansa sobre la mesa. Como la pieza de trabajo se empuja a lo largo del tope-guía, debe tener un borde recto y hacer contacto sólido con la mesa.

⚠ ADVERTENCIA SE DEBE USAR EL PROTECTOR DE LA HOJA DE SIERRA. EN LAS SIERRAS PORTER-CABLE, EL PROTECTOR TIENE DEDOS ANTIRRETROCESO PARA EVITAR EL RETROCESO Y UN SEPARADOR PARA EVITAR QUE LA SEPARACIÓN DE CORTE DE LA MADERA SE CIERRE Y ATORE LA HOJA. ESTÉ SEGURO REEMPLAZAR O AFILAR LOS ANTIRRETROCESO CUANDO LOS PUNTOS LLEGAN A SER LÁNGUIDOS.

▲ ADVERTENCIA UNA TOPE-GUIA SIEMPRE SE DEBE UTILIZAR PARA LAS OPERACIONES LA REALIZACIÓN DE CORTES AL HILO. NUNCA REALICE UNA OPERACIÓN QUE LA REALIZACIÓN DE CORTES AL HILO HECHO A PULSO.

1. Arranque el motor y haga avanzar la pieza de trabajo sujetándola hacia abajo y contra el tope-guía. No se sitúe nunca en la línea del corte de la sierra cuando realice cortes al hilo. Sujete la pieza de trabajo con las dos manos y empújela a lo largo del tope-guía y hacia la hoja de sierra (Fig. 43). Seguidamente, se puede hacer avanzar la pieza de trabajo a través de la hoja de sierra con una mano o con las dos manos. Después de que la pieza de trabajo esté más allá de la hoja de sierra y los dedos antirretroceso, se retira la mano de la pieza de trabajo.
2. Cuando se haya hecho esto, la pieza de trabajo permanecerá sobre la mesa, se inclinará ligeramente hacia arriba y será atrapada por el extremo del protector trasero, o se deslizará de la mesa hasta caer al piso. Alternativamente, el avance puede continuar hasta el extremo de la mesa, después de lo cual la pieza de trabajo es levantada y traída de vuelta a lo largo del borde exterior del tope-guía. El material cortado permanece en la mesa y no se toca con las manos hasta que la hoja de sierra se ha detenido, a menos que sea una pieza grande que permita retirarla de modo seguro. Cuando corte al hilo tablas de más de tres pies de longitud, utilice un soporte para la pieza de trabajo en la parte trasera de la sierra, para evitar que la pieza de trabajo se caiga de la mesa de la sierra.
3. Si la pieza de trabajo que se esté cortando al hilo mide menos de 4 pulgadas de ancho, se debe utilizar siempre un palo de empujar para completar el avance, de la manera que se muestra en la Fig. 44. El palo de empujar se puede hacer fácilmente utilizando material de desecho, de la manera que se explica en la sección "**CONSTRUCCIÓN DE UN PALO DE EMPUJAR**".
4. Cortar al hilo piezas estrechas puede ser peligroso si no se hace cuidadosamente.

▲ ADVERTENCIA CUANDO EL PEDAZO ES DEMASIADO ESTRECHA PARA UN PALO DEL EMPUJÓN PARA SER EFECTIVO - Y SI EL TRABAJO ES BREVEMENTE SUFICIENTE - UTILIZA UN EMPUJE LA TABLA. AL CORT DE HILO LA MATERIA BAJO 2 PULGADAS EN LA ANCHURA, LOS PALOS ORDINARIOS DEL EMPUJON PUEDEN INTERVENIR CON EL GUARDIA DE HOJA.

Cuando utilice una tabla de empujar, la anchura de dicha tabla debe añadirse a la anchura del ajuste de la posición del tope-guía para cortar al hilo. Una tabla de empujar plana se puede construir de la manera que se muestra en la Fig. 46 y se debe usar de la manera que se muestra en la Fig. 45.

NOTA: EL PROTECTOR QUITO PARA LA CLARIDAD. SIEMPRE UTILICE EL PROTECTOR.

NOTA: Algunas operaciones especiales (cuando se utiliza la cabeza portafresa de moldurar) requieren la adición de un refrentado de madera auxiliar al tope-guía, de la manera que se explica en la sección "**UTILIZACIÓN DE UN REFRENTADO DE MADERA AUXILIAR EN EL TOPE-GUIA PARA CORTAR AL HILO**", y el uso de un palo de empujar.

Fig. 46 BLOQUE DE 2" x 4"
MADERA CONTRACHAPADA DE 3/4"
ANCHURA DE LA MESA DE LA SIERRA + 2"

UTILIZACIÓN DE UN REFRENTADO DE MADERA AUXILIAR EN EL TOPE-GUÍA PARA CORTAR AL HILO

En algunas operaciones especiales se necesitan refrentados de madera (A), Fig. 47, a un lado o a ambos lados del tope-guía para cortar al hilo. El refrentado de madera se sujeta al tope-guía con tornillos a través de los agujeros del tope-guía. La mayoría de los trabajos requerirán un material de 3/4", aunque algún trabajo ocasional podría requerir un refrentado de 1".

FRESA DE RANURAR ACCESORIA

ADVERTENCIA **NOTA: EL CORTE DE RANURADO DE ANCHURA MÁXIMA PARA ESTA SIERRA ES DE 1/2 PULGADA.**

▲ ADVERTENCIA EL CONJUNTO DE PROTECTOR DE LA HOJA Y SEPARADOR NO SE PUEDE UTILIZAR CUANDO SE REALICEN OPERACIONES DE RANURADO. SE DEBE QUITAR DICHO CONJUNTO.

Antes de ranurar, afloje la tuerca de mariposa (A), Fig. 48, y quite el conjunto de protector de la hoja y separador (B). Tenga a mano el conjunto para colocarlo de nuevo después de ranurar.

▲ ADVERTENCIA LAS PLANTILLAS, LOS ACCESORIOS, LOS PALILLOS DEL EMPUJE Y LOS TABLEROS AUXILIARES DE LA PLUMA DEBEN SER UTILIZADOS.

1. Ranurar es cortar un rebajo o un surco ancho en la pieza de trabajo. La mayoría de juegos de fresa de ranurar están hechos con dos sierras exteriores y cuatro o cinco cortadores interiores (Fig. 48A). Se emplean varias combinaciones de sierras y cortadores para cortar ranuras desde 1/8 hasta 13/16 de pulgada para utilizarse en la fabricación de estantes, la elaboración de juntas, el ensamblaje a espiga, la realización de ranuras, etc. Los cortadores están muy triscados y deben disponerse de manera que esta parte muy triscada caiga en las gargantas de las sierras exteriores, de la manera que se muestra en la Fig. 49. La superposición de la sierra y el cortador se muestra en la Fig. 50, donde (A) es la sierra exterior, (B) es un cortador interior y (C) es una o varias arandelas de papel, que se utilizan según sea necesario para controlar la anchura exacta de la ranura. Una ranura de 1/4" se corta usando las dos sierras exteriores. Los dientes de las sierras deben estar posicionados de manera que el limpiador de una sierra esté junto a los dientes de corte de la otra sierra.
2. Coloque el juego de fresa de ranurar (D), Fig. 51, en el eje portaherramienta de la sierra.

NOTE: LA PESTAÑA EXTERIOR DEL EJE PORTAHERRAMIENTA NO SE PUEDE UTILIZAR CON EL JUEGO DE FRESA DE RANURAR. APRIETE LA TUERCA DEL EJE PORTAHERRAMIENTA CONTRA EL CUERPO DEL JUEGO DE FRESA DE RANURAR. NO AFLOJE LA PESTAÑA EXTERIOR DEL EJE PORTAHERRAMIENTA. DICHA PESTAÑA SE NECESITARÁ CUANDO SE COLOQUE DE NUEVO UNA HOJA EN EL EJE PORTAHERRAMIENTA.

▲ ADVERTENCIA EL ACCESORIO DE INSERCIÓN DE LA MESA PARA EL JUEGO DE FRESA DE RANURAR ACCESORIO (E), FIG. 51, SE DEBE USAR EN LUGAR DEL ACCESORIO DE INSERCIÓN DE LA MESA ESTÁNDAR.

⚠ ADVERTENCIA EL CONJUNTO DE PROTECTOR DE LA HOJA Y SEPARADOR NO SE PUEDE UTILIZAR CUANDO SE REALICEN OPERACIONES DE RANURADO Y SE DEBE QUITAR O GIRAR HASTA LA PARTE TRASERA DE LA SIERRA. TAMBIÉN SE DEBEN USAR POSICIONADORES AUXILIARES, DISPOSITIVOS DE FIJACIÓN, PALOS DE EMPUJAR Y TABLAS DE CANTO BISELADO.

3. En la Fig. 52 se muestra una operación de ranurado típica utilizando el calibre de ingletes como guía.

⚠ ADVERTENCIA NO USE NUNCA LA FRESA DE RANURAR EN UNA POSICIÓN DE BISEL.

⚠ ADVERTENCIA INSTALE SIEMPRE EL PROTECTOR DE LA HOJA DESPUÉS DE COMPLETAR LA OPERACIÓN.

CONSTRUCCIÓN DE UN PALO DE EMPUJAR

Cuando vaya a cortar a lo largo materiales de menos de 100 mm (4 pulg.) de ancho, deber a utilizarse una vara de empuje para completar la alimentación. La vara puede hacerse fácilmente de material descartado, siguiendo el patrón ilustrado en la Fig. 53.

Fig. 53

VARA DE EMPUJE HAGASE DE MADERA DE 1/2" O 3/4" (12.7 ó 19 mm) O UN ESPESOR MENOR QUE LA ANCHURA DEL MATERIAL A SER CORTADO.

CORTE AQUI PARA EMPUJAR †MADERA DE 1/4" (6.4 mm) CORTE AQUI PARA EMPUJAR †MADERA DE 1/2" (12.7 mm)
CUADROS DE 1/2" (12.7 mm)

MUESCA PARA AYUDAR A PREVENIR QUE LA MANO SE RESBALE

CONSTRUCCIÓN DE UNA TABLA DE CANTO BISELADO

Figura 54 ilustra las dimensiones para realizar una tabla de canto biselado típica. El material de la tabla de canto biselado debe ser una pieza de madera recta que no tenga nudos ni grietas. Las tablas de canto biselado se utilizan para mantener la pieza de trabajo en contacto con la guía y la mesa, como se muestra en la Figura 55 y para prevenir retrocesos. Sujete la tabla de canto biselado a la guía y la mesa de modo que el borde guía de la tabla de canto biselado sostenga la pieza de trabajo hasta que se complete el corte. Se puede sujetar una tabla plana de 203 mm (8") de altura a la guía de corte, y la tabla de canto biselado a la tabla de 203 mm (8").

⚠ ADVERTENCIA Utilice tablas de canto biselado para todas las operaciones que no sean longitudinales o transversales donde no se pueda utilizar el ensamble de protector y hendedor. Siempre vuelva a colocar el ensamble de protector y hendedor cuando la operación haya finalizado.

Fig. 54

La separación

de corte debe ser aproximadamente 1/4".

DETECCIÓN DE PROBLEMAS

ASEGÚRESE DE SEGUIR LAS REGLAS E INSTRUCCIONES DE SEGURIDAD

PROBLEMA: LA SIERRA NO ENCIENDE

¿QUÉ SUCEDE?

- 1.La sierra no está enchufada.
- 2.Fusible quemado o interruptor automático activado.
- 3.Cable dañado.
- 4.Cepillos gastados.

QUÉ HACER...

- 1.Enchufe la sierra.
- 2.Reemplace el fusible o reinicie el interruptor automático.
- 3.Llévela al centro de mantenimiento autorizado para que le cambien el cable.
- 4.Llévela al centro de mantenimiento autorizado para que le cambien los cepillos.

PROBLEMA: LA SIERRA REALIZA CORTES NO SATISFATORIOS

¿QUÉ SUCEDE?

- 1.Hoja sin filo.
- 2.Hoja montada al revés.
- 3.Depósitos de goma o grumos de resina sobre la hoja.
- 4.Hoja incorrecta para el trabajo que se realiza.

QUÉ HACER...

- 1.Reemplace la hoja.
- 2.Dele vuelta a la hoja.
- 3.Retire la hoja y limpie con aguarrás.
- 4.Cambie la hoja.

PROBLEMA: LA HOJA NO ALCANZA VELOCIDAD

¿QUÉ SUCEDE?

- 1.Cable prolongador demasiado liviano o demasiado largo.
- 2.Baja corriente en el hogar.

QUÉ HACER...

- 1.Reemplácelo por un cable de tamaño adecuado.
- 2.Comuníquese con la empresa de energía eléctrica.

PROBLEMA: LA MÁQUINA VIBRA EXCESIVAMENTE

¿QUÉ SUCEDE?

- 1.El soporte o el banco están sobre un piso desparejo.
- 2.Hoja de sierra dañada.

QUÉ HACER...

- 1.Reubique sobre una superficie plana.
- 2.Reemplace la hoja.

PROBLEMA: NO REALIZA CORTES DE INGLETE PRECISOS

¿QUÉ SUCEDE?

- 1.La escala de inglete no está correctamente regulada.
- 2.La hoja no está en escuadra con la guía.
- 3.La hoja no está perpendicular a la mesa.
- 4.La pieza de trabajo se mueve.

QUÉ HACER...

- 1.Verifíquela y ajústela.
- 2.Verifíquela y ajústela.
- 3.Verifique y ajuste la guía.
- 4.Sujete la pieza de trabajo a la guía o adhiera un papel de lija número 120 a la guía con cemento para caucho.

MANTENIMIENTO

MANTENGA LA MÁQUINA LIMPIA

Periódicamente sople por todas las entradas de aire con aire comprimido seco. Todas las piezas de plástico deben limpiarse con un paño suave y húmedo. NUNCA utilice solventes para limpiar las piezas de plástico. Podrían derretirse o dañar el material.

▲ ADVERTENCIA Use anteojos de seguridad según el ANSI Z87.1 cuando trabaje con aire comprimido.

FALLA EN EL ENCENDIDO

Si la máquina no enciende, verifique que las patas del enchufe del cable hagan buen contacto en el tomacorriente. Además, revise que no haya fusibles quemados o interruptores automáticos de circuito abierto en la línea.

LUBRICACIÓN

Aplique semanalmente cera en pasta para pisos a la mesa de la máquina y a la extensión u otra superficie de trabajo.

PROTECCIÓN ANTIÓXIDO PARA EL HIERRO FUNDIDO

Para limpiar y proteger las mesas de hierro fundido contra el óxido, necesitará los siguientes materiales: 1 bloque de empuje de empalmadora, 1 hoja de Almohadilla Manual para Matizado mediana Scotch-Brite™, 1 lata de WD-40®, 1 lata de desgrasador, 1 lata de TopCote® Aerosol. Aplique el WD-40 y pule la superficie de la mesa con la almohadilla Scotch-Brite utilizando el bloque de empuje como sujeción. Desgrase la mesa y aplique TopCote® según el caso.

ACCESORIOS

Los accesorios que se recomiendan para la sierra están disponibles a través de su distribuidor local o en el centro de mantenimiento autorizado. Si necesita ayuda con respecto a los accesorios, llame al: (55)5326-7100.

▲ ADVERTENCIA La utilización de accesorios no recomendados puede ser peligrosa.

RÉPARATION

Todos los Centros de Servicio Black & Decker están dotados de personal capacitado para proporcionar un servicio técnico eficiente y fiable a las máquinas herramientas de nuestros clientes. Contacte al local Black & Decker más cercano para obtener consejos técnicos, reparaciones o repuestos de fábrica originales. Para encontrar el local de servicio más cercano, busque en las páginas amarillas bajo "Herramientas eléctricas", llame al (55)5326-7100 o visite nuestra página web www.blackanddecker.com

GARANTIE

GARANTÍA COMPLETA DE DOS AÑOS PARA USO EN EL HOGAR

Black & Decker (Estados Unidos) Inc. ofrece una garantía de dos años por cualquier defecto del material o de fabricación de este producto. El producto defectuoso se reparará o reemplazará sin costo alguno de dos maneras.

La primera opción, el reemplazo, es devolver el producto al comercio donde se lo adquirió (siempre y cuando se trate de un comercio participante). Las devoluciones deben realizarse conforme a la política de devolución del comercio (generalmente, entre 30 y 90 días posteriores a la venta). Le pueden solicitar comprobante de compra. Consulte en el comercio acerca de la política especial sobre devoluciones una vez excedido el plazo establecido.

La segunda opción es llevar o enviar el producto (con flete pago) a un Centro de mantenimiento propio o autorizado de Black & Decker para su reparación o reemplazo según nuestro criterio. Le pueden solicitar el comprobante de compra. Los Centros de mantenimiento autorizados y de propiedad de Black & Decker se detallan en la sección "Herramientas eléctricas" (Tools-Electric) de las páginas amarillas de la guía telefónica.

Esta garantía no se extiende a los accesorios. Esta garantía le concede derechos legales específicos; usted puede tener otros derechos que pueden variar según el estado o la provincia. Si tiene alguna pregunta, comuníquese con el gerente del Centro de mantenimiento de Black & Decker de su zona. Este producto no está diseñado para uso comercial.

REEMPLAZO GRATUITO DE LAS ETIQUETAS DE ADVERTENCIAS: si sus etiquetas de advertencia se tornan ilegibles o faltan, llame al (55)5326-7100 para que se le reemplacen gratuitamente.

Para reparación y servicio de sus herramientas eléctricas, favor de dirigirse al Centro de Servicio más cercano:

CULIACAN, SIN

Av. Nicolás Bravo #1063 Sur
(667) 7 12 42 11
Col. Industrial Bravo

GUADALAJARA, JAL

Av. La Paz #1779
(33) 3825 6978
Col. Americana Sector Juarez

MEXICO, D.F.

Eje Central Lázaro Cardenas
No. 18
(55) 5588 9377
Local D, Col. Obrera

MERIDA, YUC

Calle 63 #459-A
(999) 928 5038
Col. Centro

MONTERREY, N.L.

Av. Francisco I. Madero
No.831
(81) 8375 2313
Col. Centro

PUEBLA, PUE

17 Norte #205
(222) 246 3714
Col. Centro

QUERETARO, QRO

Av. Madero 139 Pte.
(442) 214 1660
Col. Centro

SAN LUIS POTOSI, SLP

Av. Universidad 1525
(444) 814 2383
Col. San Luis

TORREON, COAH

Bldv. Independencia, 96 Pte.
(871) 716 5265
Col. Centro

VERACRUZ, VER

Prolongación Díaz Mirón #4280
(229)921 7016
Col. Remes

VILLAHERMOSA, TAB

Constitución 516-A
(993) 312 5111
Col. Centro

PARA OTRAS LOCALIDADES LLAME AL: (55) 5326 7100

Vea "Herramientas
eléctricas (Tools-Electric)"
- Páginas amarillas -
para Servicio y ventas



BLACK & DECKER S.A. DE C.V.
BOSQUES DE CIDROS ACCESO RADIATAS NO. 42
COL. BOSQUES DE LAS LOMAS.
05120 MÉXICO, D.F.
TEL. 55-5326-7100

NOTES / NOTAS

NOTES / NOTAS

NOTES / NOTAS