



12 VOLT 18 GAUGE CORDLESS NAILER

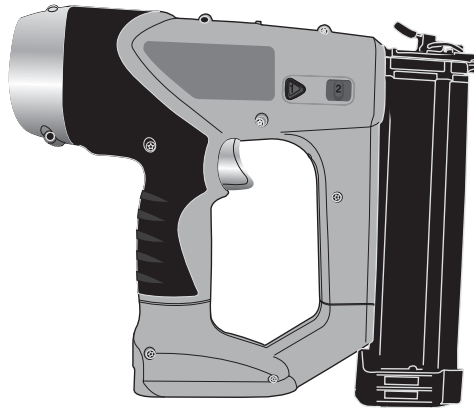
INSTRUCTION MANUAL

Catalog Number
BDBN1200

**SAVE THIS MANUAL FOR
FUTURE REFERENCE.**

**VEA EL ESPAÑOL EN LA
CONTRAPORTADA.**

INSTRUCTIVO DE OPERACIÓN,
CENTROS DE SERVICIO Y PÓLIZA DE
GARANTÍA. **ADVERTENCIA:** LEASE
ESTE INSTRUCTIVO ANTES DE USAR
EL PRODUCTO.



**BEFORE RETURNING THIS PRODUCT
FOR ANY REASON PLEASE CALL**

1-800-544-6986

**IF YOU SHOULD EXPERIENCE A PROBLEM
WITH YOUR BLACK & DECKER PRODUCT,
CALL 1-800-544-6986**

BEFORE YOU CALL, HAVE THE FOLLOWING INFORMATION AVAILABLE, CATALOG No.,
TYPE No., AND DATE CODE. IN MOST CASES, A **BLACK & DECKER** REPRESENTATIVE
CAN RESOLVE THE PROBLEM OVER THE PHONE. IF YOU HAVE A SUGGESTION OR
COMMENT, GIVE US A CALL. YOUR FEEDBACK IS VITAL TO BLACK & DECKER.

⚠ GENERAL SAFETY RULES - FOR ALL BATTERY OPERATED TOOLS

⚠ WARNING: READ AND UNDERSTAND ALL INSTRUCTIONS. Failure to follow all instructions listed below, may result in electric shock, fire and/or serious personal injury.

SAVE THESE INSTRUCTIONS

Work Area

- **Keep your work area clean and well lit.** Cluttered benches and dark areas invite accidents.
- **Do not operate power tools in explosive atmospheres, such as in the presence of flammable liquids, gases, or dust.** Power tools create sparks which may ignite the dust or fumes.
- **Keep bystanders, children, and visitors away while operating a power tool.** Distractions can cause you to lose control.

Electrical Safety

- **Do not abuse the cord. Never use the cord to carry the tool. Keep cord away from heat, oil, sharp edges or moving parts. Replace damaged cords immediately.** Damaged cords may create a fire.
- **A battery operated tool with integral batteries or a separate battery pack must be recharged only with the specified charger for the battery.** A charger that may be suitable for one type of battery may create a risk of fire when used with another battery.
- **Use battery operated tool only with specifically designated battery pack.** Use of any other batteries may create a risk of fire.

Personal Safety

- **Stay alert, watch what you are doing and use common sense when operating a power tool. Do not use tool while tired or under the influence of drugs, alcohol, or medication.** A moment of inattention while operating power tools may result in serious personal injury.
- **Dress properly. Do not wear loose clothing or jewelry. Contain long hair. Keep your hair, clothing, and gloves away from moving parts.** Loose clothing, jewelry, or long hair can be caught in moving parts. Air vents cover moving parts and should be avoided.
- **Avoid accidental starting. Be sure switch is in the locked or off position before inserting battery pack. Be sure trigger lock off is also in the locked position to avoid accidental discharge.** Carrying tools with your finger on the switch or inserting the battery pack into a tool with the switch on invites accidents.
- **Remove adjusting keys or wrenches before turning the tool on.** A wrench or key that is left attached to a rotating part of the tool may result in personal injury.
- **Do not overreach. Keep proper footing and balance at all times.** Proper footing and balance enables better control of the tool in unexpected situations.
- **Use safety equipment. Always wear eye protection.** Dust mask, non-skid safety shoes, hard hat, or hearing protection must be used for appropriate conditions.

Tool Use and Care

- **Use clamps or other practical way to secure and support the workpiece to a stable platform.** Holding the work by hand or against your body is unstable and may lead to loss of control.
- **Do not force tool. Use the correct tool for your application.** The correct tool will do the job better and safer at the rate for which it is designed.
- **Do not use tool if switch does not turn it on or off.** A tool that cannot be controlled with the switch is dangerous and must be repaired.
- **Disconnect battery pack from tool or place the switch in the locked or off position before making any adjustments, changing accessories, or storing the tool.** Such preventative safety measures reduce the risk of starting the tool accidentally.
- **Store idle tools out of reach of children and other untrained persons.** Tools are dangerous in the hands of untrained users.

- **When battery pack is not in use, keep it away from other metal objects like: paper clips, coins, keys, nails, screws or other small metal objects that can make a connection from one terminal to another.** Shorting the battery terminals together may cause sparks, burns, or a fire.
- **Maintain tools with care. Keep cutting tools sharp and clean.** Properly maintained tools, with sharp cutting edge are less likely to bind and are easier to control.
- **Check for misalignment or binding of moving parts, breakage of parts, and any other condition that may affect the tool's operation. If damaged, have the tool serviced before using.** Many accidents are caused by poorly maintained tools.
- **Use only accessories that are recommended by the manufacturer for your model.** Accessories that may be suitable for one tool may create a risk of injury when used on another tool.

Service

- **Tool service must be performed only by qualified repair personnel.** Service or maintenance performed by unqualified personnel could result in a risk of injury.
- **When servicing a tool, use only identical replacement parts. Follow instructions in the Maintenance section of this manual.** Use of unauthorized parts or failure to follow Maintenance Instructions may create a risk of electric shock or injury.

Important Safety Instructions for Nailers

⚠ WARNING: When using any nailer, all safety precautions, as outlined below, should be followed to avoid the risk of death or serious personal injury. Read and understand all instructions before operating the tool.

- **Hold tool by insulated gripping surfaces when performing an operation where the fastening tool may contact hidden wiring or its own cord.** Contact with a "live" wire will make exposed metal parts of the tool "live" and shock the operator.
- **When working on a ladder or on scaffolding be sure to lay the tool down on its side when not in use.** Some tools with large battery packs will stand upright but may be easily knocked over
- **Actuating tool may result in flying debris, collation material, or dust which could harm operator's eyes.** The operator and all those persons in the general area should wear safety glasses with permanently attached side shields. Approved safety glasses are imprinted with the characters "Z87.1".
- **Always wear appropriate personal hearing and other protection during use.** Under some conditions and duration of use, noise from this product may contribute to hearing loss.
- **Always engage lock off first then disconnect battery pack from the tool whenever clearing a jam, performing any maintenance or repair, moving the tool or when the tool is unattended.**
- **Do not remove, tamper with, or otherwise cause the tool, trigger, or contact trip to become inoperable.** Do not tape or tie trigger or contact trip in the ON position. Do not remove spring from contact trip. Uncontrolled discharge could result.
- **Do not operate a tool if any portion of the tool, trigger, or contact trip is inoperable, disconnected, altered, or not working properly.** Damaged parts or missing parts should be repaired or replaced before use.
- **Do not alter or modify the tool in any way.**
- **Always assume that the tool contains fasteners.**
- **Do not point the tool at others or yourself at any time.** No horseplay! Work safe! Respect the tool as a working implement.
- **Keep bystanders, children, and visitors away while operating a power tool.** Distractions can cause you to lose control. When the tool is not in use, it should be locked in a safe place out of reach of children.
- **Do not carry the tool from place to place holding the trigger.** Accidental discharge could result.
- **Always use lock-off when tool is not in immediate use.** Using the lock-off will prevent accidental discharge.

- **Use the tool only for its intended use. Do not discharge fasteners into open air, concrete, stone, hardwoods, knots or any material too hard for the fastener to penetrate.** Discharged fasteners may cause injury.
 - **Do not use the body of the tool or top cap as a hammer.**
 - **Always keep fingers clear of nail track of magazine to prevent injury from inadvertent release of the pusher.**
 - **Do not overreach.** Maintain proper footing and balance at all times.
 - **Refer to the Maintenance and Service sections for detailed information on the proper maintenance of the tool.**
 - **Always operate the tool in a clean, lighted area.** Be sure the work surface is clear of any debris and be careful not to lose footing when working in elevated environments such as rooftops.
 - **Do not drive fasteners near edge of material.** The workpiece may split causing the fastener to ricochet, injuring you or a bystander. Be aware that the nail may follow the grain of the wood, causing it to protrude unexpectedly from the side of the work material. Drive the chisel point of the nail perpendicular to the grain to reduce risk of injury.
 - **Keep hands and body parts clear of immediate work area.** Hold workpiece with clamps when necessary to keep hands and body out of potential harm. Be sure the workpiece is properly secured before pressing the nailer against the material. The contact trip may cause the work material to shift unexpectedly.
 - **Do not use tool in the presence of flammable dust, gases or fumes.** The tool may produce a spark that could ignite gases causing a fire. Driving a nail into another nail may also cause a spark.
 - **Keep face and body parts away from back of the tool cap when working in restricted areas.** Sudden recoil can result in impact to the body, especially when nailing into hard or dense material.
 - **Do not drive nails onto the heads of other fasteners.** Recoil, jammed fasteners, or ricocheted nails may result.
 - **Be aware of material thickness when using the nailer.** A protruding nail may cause injury.
 - **Do not actuate the tool unless the tool is placed firmly against the workpiece.**
 - **DEPTH ADJUSTMENT: To reduce risk of serious injury from accidental actuation when attempting to adjust depth, ALWAYS;**
 - Engage lock-off.
 - Remove battery pack.
 - Avoid contact with trigger during adjustments
 - **Do not drive nails blindly into walls, floors or other work areas.** Fasteners driven into live electrical wires, plumbing, or other types of obstructions can result in injury.
- ⚠ WARNING: Some dust created by power sanding, sawing, grinding, drilling, and other construction activities contains chemicals known to cause cancer, birth defects or other reproductive harm. Some examples of these chemicals are:**
- lead from lead-based paints,
 - crystalline silica from bricks and cement and other masonry products, and
 - arsenic and chromium from chemically-treated lumber (CCA).
- Your risk from these exposures varies, depending on how often you do this type of work. To reduce your exposure to these chemicals: work in a well ventilated area, and work with approved safety equipment, such as those dust masks that are specially designed to filter out microscopic particles.
- **Avoid prolonged contact with dust from power sanding, sawing, grinding, drilling, and other construction activities. Wear protective clothing and wash exposed areas with soap and water.** Allowing dust to get into your mouth, eyes, or lay on the skin may promote absorption of harmful chemicals.

⚠ WARNING: Use of this tool can generate and/or disperse dust, which may cause serious and permanent respiratory or other injury. Always use NIOSH/OSHA

approved respiratory protection appropriate for the dust exposure. Direct particles away from face and body.

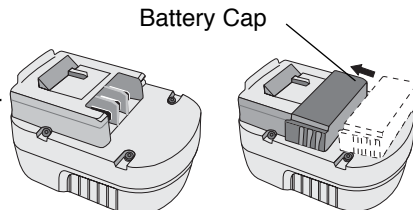
The label on your tool may include the following symbols.

V.....volts	Aamperes
Hz.....hertz	Wwatts
minminutes	~alternating current
==== ...direct current	n_ono load speed
□Class II Construction	⊕earthing terminal
⚠safety alert symbol	.../min....revolutions per minute

Before operating this tool, carefully read and understand all instructions in the "Important Safety Instructions" section.

Battery Cap Information

Battery storage and carrying caps are provided for use whenever the battery is out of the tool or charger. Remove cap before placing battery in charger or tool.



⚠ **WARNING:** Do not store or carry battery so that metal objects can contact exposed battery terminals. For example, do not place battery in aprons, pockets, tool boxes, product kit boxes, drawers, etc. with loose nails, screws, keys, etc. without battery cap. Transporting batteries can possibly cause fires if the battery terminals inadvertently come in contact with conductive materials such as keys, coins, hand tools and the like. The US Department of Transportation Hazardous Material Regulations (HMR) actually prohibit transporting batteries in commerce or on airplanes (i.e. packed in suitcases and carryon luggage) UNLESS they are properly protected from short circuits. So when transporting individual batteries, make sure that the battery terminals are protected and well insulated from materials that could contact them and cause a short circuit."

⚠ Safety Warnings and Instructions: Charging

1. This manual contains important safety and operating instructions.
2. Before using battery charger, read all instructions and cautionary markings on (1) battery charger, (2) battery, and (3) product using battery.
3. ⚠ **CAUTION:** To reduce the risk of injury, charge only Black & Decker Battery Packs. Other types of batteries may burst causing personal injury and damage.
4. Do not expose charger to rain or snow.
5. Use of an attachment not recommended or sold by Black & Decker may result in a risk of fire, electric shock, or injury to persons.
6. To reduce risk of damage to electric plug and cord, pull by plug rather than cord when disconnecting charger.
7. Make sure cord is located so that it will not be stepped on, tripped over, or otherwise subjected to damage or stress.
8. An extension cord should not be used unless absolutely necessary. Use of improper extension cord could result in a risk of fire, electric shock or electrocution.
 - a. Two-wire cords can be used with 2-wire or 3-wire extension cords. Only round jacketed extension cords should be used, and we recommend that they be listed by Underwriters Laboratories (U.L.). If the extension is to be used outside, the cord must be suitable for outdoor use. Any cord marked for outdoor use can also be used for indoor work. The letters "W" or "WA" on the cord jacket indicate that the cord is suitable for outdoor use.
 - b. An extension cord must have adequate wire size (AWG or American Wire Gauge) for safety, and to prevent loss of power and overheating. The smaller the gauge number of the wire, the greater the capacity of the cable; that is, 16 gauge has more capacity than 18 gauge. When using more than one extension to make up the total length, be sure each extension contains at least the minimum wire size.

**RECOMMENDED MINIMUM WIRE SIZE
FOR EXTENSION CORDS**

TOTAL LENGTH OF CORD						
25 FT.	50 FT.	75 FT.	100 FT.	125 FT.	150 FT.	175 FT.
7.6 M	15.2 M	22.9 M	30.5 M	38.1 M	45.7 M	53.3 M
WIRE SIZE AWG						
18	18	16	16	14	14	12

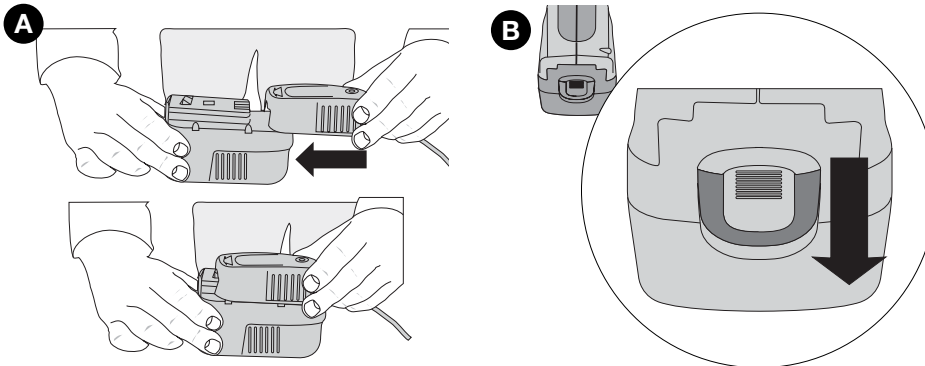
9. Use only the supplied charger when charging your tool. The use of any other charger could damage the drill or create a hazardous condition.
10. Use only one charger when charging.
11. Do not attempt to open the charger. There are no customer serviceable parts inside. Return to any authorized Black & Decker service center.
12. DO NOT incinerate the battery packs even if they are severely damaged or completely worn out. The batteries can explode in a fire.
13. A small leakage of liquid from the battery cells may occur under extreme usage, charging or temperature conditions. This does not indicate a failure. However, if the outer seal is broken and this leakage gets on your skin:
 - a. Wash quickly with soap and water.
 - b. Neutralize with a mild acid such as lemon juice or vinegar.
 - c. If the battery liquid gets in your eyes, flush them with clean water for a minimum of 10 minutes and seek immediate medical attention. **MEDICAL NOTE:** The liquid is a 25-35% solution of potassium hydroxide.

Charging the Battery Pack

THE BATTERY PACK IS NOT FULLY CHARGED AT THE FACTORY. BEFORE ATTEMPTING TO CHARGE THE BATTERY PACK, THOROUGHLY READ ALL OF THE SAFETY INSTRUCTIONS.

The charger is designed to use standard household 120 volt 60 Hz power.

1. Plug the charger into any standard 120 Volt 60 Hz electrical outlet. **NOTE: Do not charge by means of an engine generator or DC power source. Use only 120V AC**
2. Slide the charger onto the battery pack as shown in **Figure A** and let the battery charge initially for **9 hours**. After the initial charge, under normal usage, your battery pack should be fully charged in **3 to 6 hours**.



3. Unplug charger, and remove the battery pack. **Place the battery in the tool and be certain that it is inserted fully into the tool cavity until it "clicks" into place.**
NOTE: To remove the battery from the tool, press down on the release button on the back of the battery (**Figure B**) and slide out.

Important Charging Notes

1. After normal usage, your battery pack should be fully charged in 3 to 6 hours. If the battery pack is run-down completely, it may take up to 6 hours to become fully charged. Your battery pack was sent from the factory in an uncharged condition. Before attempting to use it, it must be charged for at least 9 hours.
2. DO NOT charge the battery pack in an air temperature below 40°F (4,5 °C) or above 105°F.(40,5 °C) This is important and will prevent serious damage to the battery pack. Longest life and best performance can be obtained if battery pack is charged when air temperature is about 75°F.(24°C).
3. While charging, the charger may hum and become warm to touch. This is a normal condition and does not indicate a problem.
4. If the battery pack does not charge properly—(1) Check current at receptacle by plugging in a lamp or other appliance. (2) Check to see if receptacle is connected to a light switch which turns power off when you turn out the lights. (3) Move charger and battery pack to a surrounding air temperature of 40°F (4,5 °C) to 105°F.(40,5 °C) (4) If the receptacle and temperature are OK, and you do not get proper charging, take or send the battery pack and charger to your local Black & Decker service center. See Tools Electric in yellow pages.
5. The battery pack should be recharged when it fails to produce sufficient power on jobs which were easily done previously. DO NOT CONTINUE using product with its battery pack in a depleted condition.
6. To prolong battery pack life, avoid leaving the battery pack on charge for extended periods of time (over 30 days without use). Although overcharging is not a safety concern, it can significantly reduce overall battery pack life.
7. The battery pack will reach optimum performance after being cycled 5 times during normal usage. There is no need to run the batteries down completely before recharging. Normal usage is the best method of discharging and recharging the batteries.

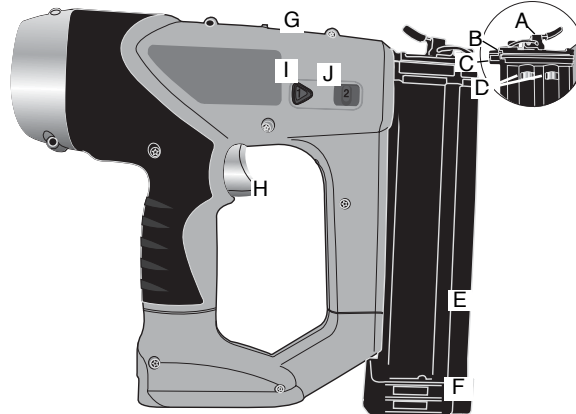
Maintenance Stage

The trickle charge feature of the charger allows the battery pack to remain in the charger and ready for use. With the charger connected to standard household current, the red charging indicator light will glow constantly. The charger will keep the power pack fully charged. A battery pack will slowly lose its charge when kept out of the charger.

SAVE THESE INSTRUCTIONS FOR FUTURE USE

Features

- A. jam clearing latch
- B. contact trip
- C. no-mar pad
- D. low nail indicator windows
- E. magazine
- F. pusher release (other side)
- G. lock-off
- H. trigger
- I. depth lock button
- J. depth adjustment bar



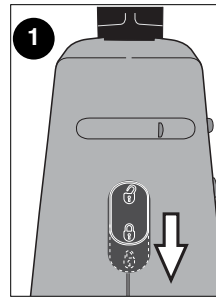
NAIL SPECIFICATIONS - BDBN1200 18G CORDLESS NAILER

Lengths	5/8" - 2" (16 mm - 50 mm)
Diameters	18 gauge / calibre 18

Operating Instructions

Using the Lock-Off (Figure 1)

The nailer is equipped with a lock-off switch which prevents the tool from actuating. To engage, push the lock-off to the full rearward position as shown in **figure 1**.



Loading the Tool (Figure 2)

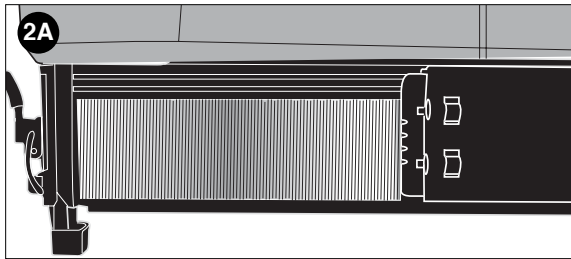
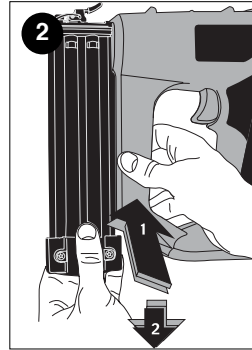
CAUTION: Keep tool pointed in a safe direction when loading nails.

CAUTION: Never load nails with the contact trip or trigger activated.

CAUTION: Always engage lock off and remove battery pack before loading or unloading nails.

To load fasteners:

1. Read all "Safety Warnings" before using tool.
2. Engage lock off.
3. Remove battery.
4. Depress pusher release and pull magazine back.
5. Insert fasteners into the side of the magazine. Be sure the fasteners ride on their tips in the nail channel as shown in **figure 2A**.
6. Push magazine closed until it locks in place.



Actuating Tool

WARNING: Always wear eye and ear protection when operating tool.

To operate the nailer:

1. Disengage lock off.
2. Insert battery pack and lock in place.
3. Depress the contact trip firmly against the work surface.
4. Depress and maintain pressure on the trigger.

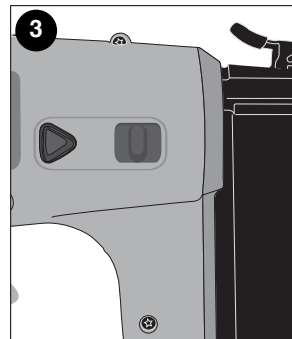
CAUTION: A nail will fire each time the trigger is depressed as long as the contact trip remains depressed.

Adjusting Depth (Figure 3)

The depth that the fastener is driven can be adjusted using the depth adjustment buttons on the side of the tool.

WARNING: To reduce risk of serious injury from accidental actuation when attempting to adjust depth, **ALWAYS:**

- Engage lock off.
- Disconnect battery.
- Avoid contact with trigger during adjustments.



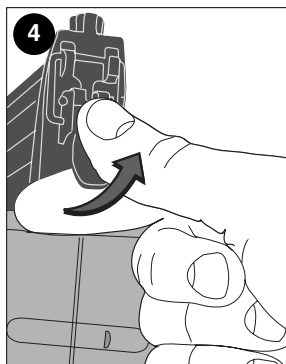
There are two drive positions:

1. To drive the nail shallower, press the depth lock button and slide the depth adjustment bar to the forward position. Release the depth lock button.
2. To sink a nail deeper, press the depth lock button and slide the depth adjustment bar to the full rear position. Release the depth lock button.

Clearing a Jammed Nail (Figure 4)

If a nail becomes jammed in the nosepiece, keep the tool pointed away from you and follow these instructions to clear:

1. Engage lock off.
2. Disconnect battery.
3. Release pusher from behind nails.
4. Pull up on latch then pull up to open front door.
5. Remove bent nail, using pliers if necessary.
6. If driver blade is in the down position, insert screwdriver or other rod into nosepiece and push driver blade back in position.
7. Remove rod and close front door.
8. Lift latch to engage wire and pull back to lock in place.
9. Reinsert nails into magazine (see Loading the Tool).
10. Push magazine closed until it locks in place.



Maintenance

Use only mild soap and damp cloth to clean the tool. Never let any liquid get inside the tool; never immerse any part of the tool into a liquid.

IMPORTANT: To assure product SAFETY and RELIABILITY, repairs, maintenance and adjustment (other than those listed in this manual) should be performed by authorized service centers or other qualified service organizations, always using identical replacement parts.

The RBRC™ Seal

The RBRC™ (Rechargeable Battery Recycling Corporation) Seal on the nickel-cadmium battery (or battery pack) indicates that the costs to recycle the battery (or battery pack) at the end of its useful life have already been paid by Black & Decker. In some areas, it is illegal to place spent nickel-cadmium batteries in the trash or municipal solid waste stream and the RBRC program provides an environmentally conscious alternative.

RBRC in cooperation with Black & Decker and other battery users, has established programs in the United States and Canada to facilitate the collection of spent nickel-cadmium batteries. Help protect our environment and conserve natural resources by returning the spent nickel-cadmium battery to an authorized Black & Decker service center or to your local retailer for recycling. You may also contact your local recycling center for information on where to drop off the spent battery, or call **1-800-8-BATTERY**.



Accessories

Recommended accessories for use with your tool are available from your local dealer or authorized service center. If you need assistance regarding accessories, please call:

1-800-544-6986.

⚠ WARNING: The use of any accessory not recommended for use with this tool could be hazardous.

Service Information

All Black & Decker Service Centers are staffed with trained personnel to provide customers with efficient and reliable power tool service. Whether you need technical advice or repair (this product is not user serviceable) contact the Black & Decker location nearest you. To find your local service location, refer to the yellow page directory under "Tools—Electric" or call:
1-800-544-6986 or visit www.blackanddecker.com

Full Two-Year Home Use Warranty

Black & Decker (U.S.) Inc. warrants this product for two years against any defects in material or workmanship. The defective product will be replaced or repaired at no charge in either of two ways.

The first, which will result in exchanges only, is to return the product to the retailer from whom it was purchased (provided that the store is a participating retailer). Returns should be made within the time period of the retailer's policy for exchanges (usually 30 to 90 days after the sale). Proof of purchase may be required. Please check with the retailer for their specific return policy regarding returns that are beyond the time set for exchanges.

The second option is to take or send the product (prepaid) to a Black & Decker owned or authorized Service Center for repair or replacement at our option. Proof of purchase may be required. Black & Decker owned and authorized Service Centers are listed under

"Tools-Electric" in the yellow pages of the phone directory.

This warranty does not apply to accessories. This warranty gives you specific legal rights and you may have other rights which vary from state to state or province to province. Should you have any questions, contact the manager of your nearest Black & Decker Service Center. This product is not intended for commercial use.

FREE WARNING LABEL REPLACEMENT: If your warning labels become illegible or are missing, call 1-800-544-6986 for a free replacement.

**THIS PRODUCT IS COVERED BY US PATENT NOS. 6,705,503 AND 6,604,666.
OTHER PATENTS PENDING.**

Black & Decker (U.S.) Inc.,
701 E. Joppa Rd.
Towson, MD 21286 U.S.A.



See 'Tools-Electric'
- Yellow Pages -
for Service & Sales



GUIDE D'UTILISATION

N° de catalogue **BDBN1200**

**AVANT DE RETOURNER LE PRODUIT
POUR QUELQUE RAISON QUE CE SOIT,
COMPOSER LE 1 800 544-6986**

⚠ RÈGLES DE SÉCURITÉ CONCERNANT LES OUTILS À PILE – GÉNÉRALITÉS

⚠ AVERTISSEMENT : Lire, comprendre et suivre toutes les directives précisées ci-dessous, y compris les consignes de sécurité, afin d'éviter les risques de choc électrique, d'incendie ou de blessure grave.

CONSERVER LE PRÉSENT GUIDE À TITRE DE RÉFÉRENCE

Aire de travail

- **L'aire de travail doit être propre et bien éclairée.** Les établis encombrés et les endroits sombres peuvent entraîner des accidents.
- **Ne pas faire fonctionner des outils électriques dans des atmosphères explosives, comme en présence de liquides, de gaz et de poussières inflammables.** Les outils électriques produisent des étincelles qui peuvent enflammer la poussière ou les vapeurs.
- **Tenir les enfants, les visiteurs ou toute autre personne à l'écart lorsqu'on utilise un outil électrique;** les distractions peuvent faire perdre la maîtrise de ce dernier.

Mesures de sécurité – Électricité

- **Ne pas utiliser le cordon de manière abusive; on ne doit pas transporter l'outil en le tenant par le cordon. On doit tenir le cordon à l'écart des sources de chaleur, de l'huile, des bords tranchants ou des pièces mobiles. Remplacer immédiatement les cordons endommagés,** car ces derniers peuvent causer un incendie.
- **Un outil à piles intégrées ou à bloc-piles externe doit être rechargé seulement au moyen du chargeur approprié,** car un chargeur destiné à une pile particulière peut entraîner un risque d'incendie lorsqu'il est utilisé avec une autre.
- **N'utiliser l'outil à piles qu'avec le bloc-piles indiqué,** car l'utilisation d'un autre type de piles peut entraîner un risque d'incendie.

Sécurité personnelle

- **Rester vigilant en tout temps et faire preuve de jugement lorsqu'on utilise un outil électrique; ne pas utiliser l'outil lorsqu'on est fatigué ou sous l'influence de drogues, d'alcool ou de médicaments,** car un moment d'inattention pourrait entraîner des blessures graves.
- **Porter des vêtements appropriés. Ne pas porter des vêtements amples ou des bijoux. Couvrir ou attacher les cheveux longs.** Garder les cheveux, les vêtements, les bijoux et les gants éloignés des pièces mobiles, car ceux-ci peuvent s'y coincer. Se tenir éloigné des événements puisque ces derniers pourraient camoufler des pièces mobiles.
- **Éviter les démarrages accidentels; s'assurer que l'interrupteur est en position d'arrêt avant de brancher l'outil.** Ne pas transporter l'outil en laissant le doigt sur l'interrupteur ni le brancher lorsque l'interrupteur est en position de marche, car cela pourrait causer un accident.
- **Retirer les clés de réglage avant de démarrer l'outil.** Une clé laissée sur une pièce rotative pourrait entraîner des blessures.
- **Ne pas trop étendre les bras; les pieds doivent rester ancrés fermement au sol**

afin de maintenir son équilibre en tout temps et de mieux maîtriser l'outil dans des situations imprévues.

- **Utiliser le matériel de sécurité approprié; toujours porter des lunettes de protection.** Porter un masque anti-poussières, des chaussures antidérapantes, un casque de sécurité ou des protecteurs auditifs lorsque la situation le requiert.

Utilisation et entretien de l'outil

- **Fixer et soutenir la pièce sur une plate-forme stable au moyen d'une bride de serrage ou de tout autre dispositif semblable.** La pièce est instable lorsqu'on la retient manuellement ou qu'on l'appuie contre le corps, ce qui pourrait faire perdre la maîtrise de l'outil.
- **Ne pas forcer l'outil ni l'utiliser pour des travaux autres que ceux pour lesquels il a été conçu.** Pour obtenir de meilleurs résultats et prévenir les risques de blessure, laisser l'outil couper à la vitesse pour laquelle il a été conçu.
- **Ne pas utiliser l'outil lorsque l'interrupteur marche-arrêt ne fonctionne pas.** Tout outil qui ne peut être commandé au moyen de l'interrupteur est dangereux et doit être réparé.
- **Déconnecter le bloc-piles de l'outil ou placer l'interrupteur en position d'arrêt ou de verrouillage avant d'effectuer tout réglage, changement d'accessoires, ou de ranger l'outil.** Ces mesures de sécurité préventives réduisent les risques de démarrage accidentel.
- **Lorsqu'on n'utilise pas l'outil, le ranger hors de la portée des enfants ou des personnes non qualifiées.** Les outils sont dangereux entre les mains de personnes inexpérimentées.
- **Lorsqu'on n'utilise pas le bloc-piles, le ranger à l'écart des objets métalliques tels que les trombones, les pièces de monnaie, les clés, les clous, les vis ou autres petits objets susceptibles de conduire l'électricité entre les bornes et d'occasionner ainsi un court-circuit pouvant provoquer des étincelles, des brûlures ou un incendie.**
- **Bien entretenir l'outil; s'assurer qu'il est toujours bien propre et aiguisé.** Les outils bien entretenus et dont les bords sont bien tranchants sont moins susceptibles de rester coincés et sont plus faciles à maîtriser.
- **Vérifier les pièces mobiles afin de s'assurer qu'elles sont bien alignées et qu'elles ne restent pas coincées. Vérifier également les pièces afin de s'assurer qu'il n'y a aucun bris ni aucune autre condition susceptible de nuire au bon fonctionnement de l'outil. Faire réparer l'outil si ce dernier est endommagé avant de s'en servir à nouveau,** car les accidents sont souvent causés par des outils mal entretenus.
- **N'utiliser que les accessoires recommandés par le fabricant pour le modèle concerné.** Un accessoire destiné à un outil particulier peut devenir dangereux lorsqu'il est utilisé avec un autre.

Entretien

- **L'outil doit être entretenu par le personnel qualifié seulement;** toute maintenance effectuée par une personne non qualifiée pourrait entraîner des risques de blessure.
- **Lors de l'entretien, n'utiliser que des pièces de rechange identiques et suivre les directives précisées à la section « Entretien »** du présent guide afin de prévenir les risques de choc électrique ou de blessure.

Directives de sécurité importantes relatives aux cloueurs

⚠ AVERTISSEMENT : Lors de l'utilisation de tout cloueur, toutes les directives de sécurité, énoncées ci-après, doivent être respectées pour éviter tout risque de fatalité ou de blessure grave. Lire et comprendre toutes ces directives avant d'utiliser cet outil.

- **Tenir l'outil par les surfaces de préhension isolées pour effectuer une opération dans laquelle l'outil de coupe peut entrer en contact de fils cachés ou de son propre cordon.** Tout contact avec un fil sous tension met les parties métalliques exposées de l'outil sous tension et transmet un choc électrique à l'opérateur.
- **Lorsqu'on travail sur une échelle ou un échafaudage, on doit déposer l'outil sur le côté lorsqu'on ne s'en sert plus.** Bien que certains outils munis d'un gros bloc-piles puissent être placés à la verticale, dans cette position, ils peuvent facilement être renversés.

- **L'utilisation de cet outil peut causer le rejet de débris, l'agglomérat de matériaux ou de poussières posant des risques de dommage oculaire à l'utilisateur.** Il est recommandé que l'utilisateur ou toute autre personne présente porte des lunettes de protection avec coquilles latérales permanentes. Le label « Z87.1 » doit être imprimé sur les lunettes de protection conformes.
- **Porter un dispositif de protection personnel antibruit approprié et toute autre protection adéquate durant l'utilisation.** Sous certaines conditions et suivant la longueur d'utilisation, le bruit émanant de ce produit pourrait contribuer à une perte de l'ouïe.
- **Toujours enclencher d'abord le verrouillage avant de déconnecter le bloc-piles de l'appareil que ce soit pour débloquer l'appareil, effectuer l'entretien ou des réparations, le déplacer ou lorsqu'il n'est plus sous supervision.**
- **Ne pas retirer, altérer ou rendre de quelque manière que ce soit l'interrupteur ou le déclencheur par contact inopérant.** Ne pas coller ou attacher l'interrupteur ou le déclencheur par contact en position « ON » (Marche). Ne pas retirer le ressort du déclencheur par contact. Une décharge incontrôlée pourrait en résulter.
- **Ne pas utiliser l'outil si une partie quelconque de l'outil, de l'interrupteur ou du déclencheur par contact est inopérante, déconnectée, modifiée ou ne fonctionne pas correctement.** Toute pièce endommagée ou manquante doit être réparée ou remplacée avant nouvel usage.
- **Ne pas altérer ou modifier l'outil en aucune façon.**
- **Toujours assumer que l'outil est chargé.**
- **Ne jamais pointer l'outil vers soi-même ou les autres à aucun moment.** L'outil n'est pas un jouet ! Travailler en toute sécurité ! Respecter l'appareil en tant qu'outil de travail.
- **Tenir les enfants, les visiteurs ou toute autre personne à l'écart lorsqu'on utilise un outil électrique; les distractions peuvent faire perdre la maîtrise de ce dernier.** Après utilisation, entreposer l'outil hors de la portée des enfants dans un endroit sûr.
- **Ne pas transporter l'outil d'un endroit à un autre le doigt sur la gâchette.** Une décharge incontrôlée pourrait en résulter.
- **Activer le verrouillage lorsque son utilisation n'est pas immédiate.** Le fait d'activer le verrouillage prévient toute décharge accidentelle.
- **N'utiliser l'outil que pour l'usage il a été conçu. Ne pas décharger les attaches en l'air, dans le béton, la pierre, les bois durs, les nœuds ou tout autre matériau trop dur pour être pénétré par les attaches.** Le fait de décharger des attaches pose des risques de blessure.
- **Ne pas utiliser le corps de l'outil ou le boîtier supérieur en tant que marteau.**
- **Ne jamais mettre ses doigts sur le conduit du chargeur pour prévenir toute blessure en cas de décharge involontaire du poussoir.**
- **Ne pas trop étendre les bras. Les pieds doivent rester ancrés fermement au sol afin de maintenir son équilibre en tout temps.**
- **Se reporter aux sections Entretien et nettoyage pour plus d'informations sur la façon d'entretenir correctement l'outil.**
- **Toujours utiliser l'outil dans un endroit propre et bien éclairé.** S'assurer que la surface de travail est propre de tout débris et s'assurer de maintenir son équilibre lorsque l'on travaille en hauteur comme sur les toits par exemple.
- **Ne pas enfoncer d'attaches à la lisière du matériau.** La pièce de travail pourrait se fendre et l'attache ricocher, pouvant ainsi blesser vous-même ou un collègue. Soyez conscient qu'un clou pourrait suivre le grain du bois, et sortir de façon inattendue sur le côté du matériau travaillé. Enfoncer la pointe du clou perpendiculairement au grain pour réduire tout risque de blessure.
- **Protéger les mains et toute partie du corps dans la zone immédiate de travail.** Maintenir la pièce à travailler à l'aide de serre-joints si nécessaire pour protéger les mains et le corps de tout risque éventuel. S'assurer que la pièce à travailler est arrimée solidement avant d'y appuyer le cloueur. Le déclencheur par contact pourrait déplacer accidentellement la pièce à travailler.
- **Ne pas utiliser l'outil en présence de poussières, gaz ou vapeurs inflammables.** L'outil pourrait produire des étincelles posant ainsi des risques d'incendie en enflammant les gaz. Le fait d'enfoncer un clou dans un autre peut aussi causer des étincelles.

- **Protéger le visage et toute partie du corps de l'arrière du boîtier de l'outil dans les zones d'accès limité.** Un recul soudain de l'outil pourrait causer un impact sur le corps, particulièrement lors du clouage sur matériaux durs ou denses.
- **Ne pas enfoncer de clous sur la tête de toute autre attache.** Un recul puissant, le blocage d'attaches ou le ricochet de clous pourrait en résulter.
- **Avoir conscience de l'épaisseur du matériau avant d'utiliser le cloueur.** Un clou en dépassant pourrait causer des blessures.
- **Ne pas utiliser l'outil à moins qu'il ne soit placé fermement contre la pièce à travailler.**
- **REGLAGE DE PROFONDEUR : Pour réduire tout risque de blessure grave causé par un fonctionnement accidentel de l'appareil lors du réglage de profondeur, TOUJOURS :**

- Activer le verrouillage.
- Retirer le bloc-piles.
- Éviter tout contact avec l'interrupteur pendant le réglage.

- **Ne pas enfoncer de clous à l'aveugle dans des murs, sols ou tout autre endroit.** Toute attache enfoncée dans un fil électrique sous tension, de la plomberie ou tout autre type d'obstruction pose des risques de blessure.

⚠ AVERTISSEMENT : Certains outils électriques, tels que les sableuses, les scies, les meules, les perceuses ou certains autres outils de construction, peuvent produire de la poussière contenant des produits chimiques susceptibles d'entraîner le cancer, des malformations congénitales ou pouvant être nocifs pour le système reproductif. Parmi ces produits chimiques, on retrouve :

- le plomb dans les peintures à base de plomb,
- la silice cristalline dans les briques et le ciment et autres produits de maçonnerie,
- l'arsenic et le chrome dans le bois de sciage ayant subi un traitement chimique (comme l'arséniate de cuivre et de chrome).

Le risque associé à de telles expositions varie selon la fréquence avec laquelle on effectue ces travaux. Pour réduire l'exposition à de tels produits, il faut travailler dans un

endroit bien aéré et utiliser le matériel de sécurité approprié, tel un masque anti-poussières spécialement conçu pour filtrer les particules microscopiques.

- **Éviter tout contact prolongé avec la poussière soulevée par cet outil ou autres outils électriques. Porter des vêtements de protection et nettoyer les parties exposées du corps à l'eau savonneuse.** S'assurer de bien se protéger afin d'éviter d'absorber par la bouche, les yeux ou la peau des produits chimiques nocifs.

⚠ AVERTISSEMENT : Cet outil peut produire et répandre de la poussière susceptible de causer des dommages sérieux et permanents au système respiratoire. Toujours utiliser un appareil respiratoire anti-poussières approprié approuvé par le NIOSH ou l'OSHA. Diriger les particules dans le sens opposé du visage et du corps.

L'étiquette apposée sur l'outil peut afficher les symboles suivants.

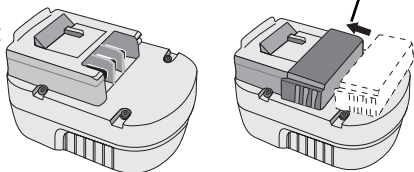
V	volts	A	ampères
Hz	hertz	W	watts
min	minutes	~	courant alternatif
====	courant continu	no	aucune option à vide
☐	construction de classe II	⊕	borne de terre
⚠	symbole d'avertissement	.../min.....	tours ou mouvements alternatifs par minute

Lire attentivement et comprendre toutes les directives de la section « Directives de sécurité importantes » avant toute utilisation de l'outil.

Information concernant le capuchon du bloc-pile

Un capuchon est fourni avec le bloc-pile en vue d'être utilisé chaque fois qu'on retire ce dernier de l'outil ou du chargeur en vue de le ranger ou de le transporter; enlever le capuchon avant de remettre le bloc-pile dans le chargeur ou dans l'outil.

Capuchon du bloc-pile



⚠ AVERTISSEMENT : S'assurer, au moment de ranger ou de transporter un bloc-pile ou une pile, qu'aucun objet métallique n'entre en contact avec leurs bornes à découvert de celui-ci. Par exemple, il faut éviter de placer un bloc-pile ou une pile sans capuchon dans un tablier, une poche, une boîte à outils ou un tiroir (etc.) contenant des objets tels que des clous, des vis ou des clés, car tout contact entre les bornes à découvert et un objet métallique comme une clé, une pièce de monnaie, un outil à main, etc. pourrait causer un incendie. En effet, les règlements américains Hazardous Material Regulations (HMR) du US Department of Transportation interdisent le transport d'un bloc-pile ou d'une pile dans tout moyen de transport commercial ou aérien (que ce soit dans une valise ou le bagage de cabine) SAUF s'ils sont bien protégés contre les courts-circuits. On doit donc s'assurer, lorsqu'on transporte un bloc-pile ou une pile séparément, de bien protéger et isoler les bornes contre tout matériau qui risque d'entrer en contact avec eux et de causer un court-circuit.

⚠ Directives et consignes de sécurité : Chargement

1. Le présent guide comprend d'importantes directives, dont un mode d'emploi et des consignes de sécurité.
2. Avant d'utiliser le chargeur, lire toutes les directives et les étiquettes de mise en garde apposées sur (1) le chargeur, (2) la pile et (3) le produit utilisant la pile.
3. **⚠ MISE EN GARDE** : afin de réduire les risques de blessure, ne charger que des blocs-piles Black & Decker, car les autres peuvent éclater et entraîner des blessures ou des dommages matériels.
4. Ne pas exposer le chargeur à la pluie ou à la neige.
5. L'utilisation d'un accessoire n'étant ni recommandé ni vendu par Black & Decker peut entraîner des risques d'incendie, de choc électrique ou de blessure.
6. Afin de réduire les risques de dommage à la fiche ou au cordon électrique, débrancher le chargeur en saisissant la fiche, non le cordon.
7. S'assurer que le cordon est placé de manière à éviter qu'il ne subisse des dommages ou des contraintes ou que les personnes s'y prennent les pieds et trébuchent.
8. Ne pas utiliser de rallonge à moins que cela ne soit absolument nécessaire, car l'usage d'une rallonge ayant une puissance inadéquate pourrait causer des risques d'incendie, de choc électrique ou d'électrocution.
 - a. Bien qu'on puisse utiliser un cordon bifilaire avec une rallonge bifilaire ou trifilaire, on ne doit utiliser qu'une rallonge à cordon; on recommande que celle-ci soit approuvée par l'organisme américain Underwriters Laboratories (UL). Lorsqu'on utilise un outil électrique à l'extérieur, on ne doit utiliser que des rallonges conçues pour cet usage, comme celles de type W-A ou W. Toute rallonge conçue pour un usage extérieur peut aussi être employée à l'intérieur.
 - b. Afin d'éviter une perte de puissance ou une surchauffe et d'assurer la sécurité de l'utilisateur, la rallonge doit être de calibre AWG approprié. Plus le calibre est petit, plus la capacité est grande; autrement dit, une rallonge de calibre 16 est plus puissante qu'une rallonge de calibre 18. Lorsqu'on utilise plusieurs rallonges pour obtenir la longueur voulue, s'assurer que chacune d'elles présente les valeurs minimales requises.

**CALIBRE DE FIL MINIMUM RECOMMANDÉ POUR LES RALLONGES
INTENSITÉ NOMINALE (AMPÈRES) – 0 À 10.0**

LONGUEUR TOTALE DE LA RALLONGE

25 pi	50 pi	75 pi	100 pi	125 pi	150 pi	175 pi
7,6 m	15,2 m	22,9 m	30,5 m	38,1 m	45,7 m	53,3 m

CALIBRE AWG

18	18	16	16	14	14	12
----	----	----	----	----	----	----

9. Ne charger l'outil qu'au moyen du chargeur fourni, car l'usage de tout autre chargeur pourrait endommager le bloc-piles ou engendrer une situation dangereuse.
10. N'utiliser qu'un seul chargeur durant le chargement.
11. Ne pas ouvrir le chargeur ni la perceuse; ces derniers ne contiennent aucune pièce pouvant être réparée par le client et doivent être retournés à un centre de service Black & Decker, le cas échéant.
12. NE PAS incinérer la perceuse ou le bloc-pile, y compris ceux gravement endommagés ou complètement déchargés, car ils peuvent exploser en présence de flammes.
13. Ne pas incinérer les piles, car elles peuvent exploser en présence de flammes. Les cellules peuvent subir une fuite légère par suite d'un usage extrême, du chargement ou d'une exposition à certaines températures; cela n'indique pas un problème. Cependant, si le scellant externe est percé et le liquide entre en contact avec la peau, on doit :
 - a. se laver rapidement la partie du corps touchée avec de l'eau savonneuse;
 - b. neutraliser l'effet au moyen d'un acide doux tel que du jus de citron ou du vinaigre;
 - c. si les yeux sont touchés, les rincer à fond avec de l'eau propre pendant au moins 10 minutes et consulter immédiatement un médecin.

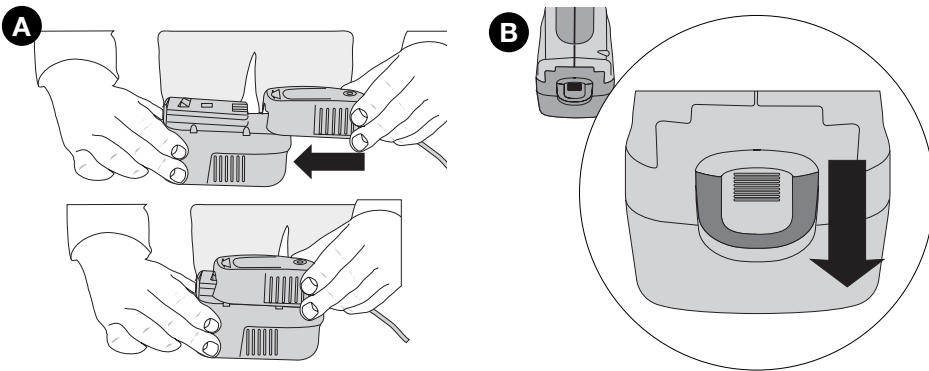
REMARQUE AUX FINS MÉDICALES : ce liquide contient une solution composée de 25 à 35 % d'hydroxyde de potassium.

Chargement du bloc-piles

LE BLOC-PILES N'EST PAS COMPLÈTEMENT CHARGÉ EN USINE. IL IMPORTE DONC DE LIRE ATTENTIVEMENT TOUTES LES CONSIGNES DE SÉCURITÉ AVANT DE LE CHARGER.

Le chargeur est conçu pour être branché dans une prise résidentielle standard de 120 volts et de 60 Hz.

1. Brancher le chargeur dans une prise murale appropriée. **REMARQUE** : Ne pas charger au moyen d'une génératrice de moteur. Ne pas brancher dans une source d'alimentation électrique à courant continu; utiliser seulement une prise de 120 V c.a.
2. Glisser le bloc-piles dans le chargeur, tel qu'illustré à la **figure A**, et le charger pendant **9 heures**. Après la charge initiale et à la suite d'une utilisation normale, le bloc-piles devrait se charger complètement en **3 à 6 heures**.



3. Débrancher le chargeur et retirer le bloc-piles. **Mettre la pile dans l'outil en s'assurant de l'insérer complètement dans sa cavité jusqu'à ce qu'elle s'enclenche fermement.**

REMARQUE : Pour retirer le bloc-piles de l'outil, appuyer sur le bouton de dégagement situé à l'arrière du bloc-piles (**figure B**) et tirer sur ce dernier pour le dégager.

Conseils importants concernant le chargement

1. À la suite d'une utilisation normale, le bloc-piles devrait prendre de 3 à 6 heures pour se charger complètement, et jusqu'à 6 heures s'il est complètement déchargé. Le bloc-piles n'est pas chargé au moment de quitter l'usine; on doit donc le charger pendant au moins 9 heures avant de l'utiliser.
2. Afin d'éviter d'endommager le bloc-piles, il est important de NE PAS le charger à des températures inférieures à 4,5 °C (40 °F) ou supérieures à 40,5 °C (105 °F). Pour augmenter la durée de vie du bloc-piles et optimiser son rendement, le charger à une température d'environ 24°C (75 °F).
3. Le chargeur peut émettre un bourdonnement ou devenir chaud au toucher durant le chargement. Cela est normal et n'indique pas la présence d'un problème.
4. Si le bloc-piles ne se charge pas normalement, il faut : (1) vérifier l'alimentation de la prise en y enfichant une lampe ou un appareil, (2) s'assurer que la prise n'est pas raccordée à un interrupteur qui coupe le courant lorsqu'on éteint les lumières, (3) placer le chargeur et le bloc-piles dans un endroit où la température ambiante est environ 4,5 °C (40 °F) à 40,5 °C (105 °F) ou, si le problème persiste, (4) retourner le bloc-piles et le chargeur au centre de service Black & Decker le plus près (les centres de service autorisés sont répertoriés dans les pages jaunes sous la rubrique «Outils - électriques»).
5. Le bloc-piles doit être rechargé lorsqu'il ne produit pas suffisamment de courant pour permettre à l'utilisateur de travailler normalement. On doit CESSER d'utiliser la perceuse dans de telles conditions.
6. On peut prolonger la durée de vie du bloc-piles en évitant de le laisser dans le chargeur pendant de longues périodes (plus de 30 jours lorsqu'on ne l'utilise pas). Bien que la surcharge du bloc-piles ne soit pas un problème au niveau de la sécurité, cette pratique peut réduire de façon appréciable sa durée de vie.
7. Le bloc-piles atteindra son rendement optimal après avoir terminé cinq cycles de charge et de décharge au cours d'une utilisation normale. Il n'est pas nécessaire de décharger complètement le bloc-piles avant de le recharger. Le meilleur moyen de charger et de décharger le bloc-piles est de l'utiliser normalement.

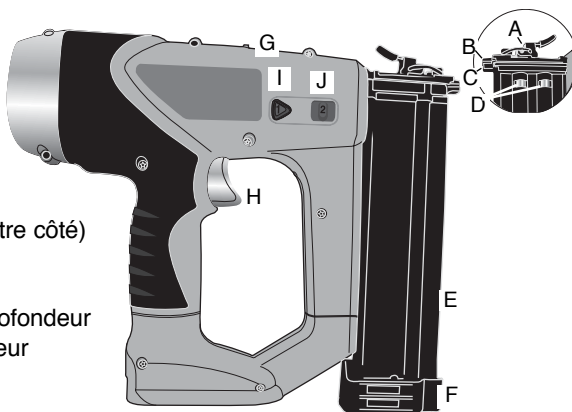
Étape d'entretien

Grâce à la fonction de charge d'entretien du chargeur, l'utilisateur peut laisser le bloc-pile dans le chargeur afin qu'il soit prêt à être utilisé. Lorsque le chargeur est branché dans une prise résidentielle standard, le voyant de charge rouge s'allume constamment, indiquant que le chargeur maintient la charge du bloc-pile; ce dernier perd lentement sa charge lorsqu'il est retiré du chargeur.

CONSERVER CES DIRECTIVES À TITRE DE RÉFÉRENCE

Caractéristiques

- A. dispositif de désenrayage
- B. déclencheur par contact
- C. coussinet anti-rayures
- D. fenêtre de visionnement du nombre de clous restants
- E. chargeur
- F. déclencheur du poussoir (autre côté)
- G. verrouillage
- H. gâchette
- I. bouton de verrouillage de profondeur
- J. barre de réglage de profondeur



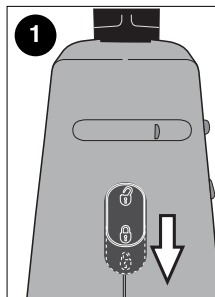
CARACTERISTIQUES TECHNIQUES DES CLOUS – CLOUEURS SANS FIL BDBN1200

Longueurs	16 mm à 50 mm (5/8 po à 2 po)
Diamètres	calibre 18

Mode d'emploi

Utilisation du Verrouillage (Fig. 1)

Le cloueur est équipé d'un interrupteur de verrouillage pour prévenir sa mise en marche. Pour activer le verrouillage, pousser sur le verrouillage à fond en position arrière (Fig.1).



Chargement de l'outil (Fig. 2)

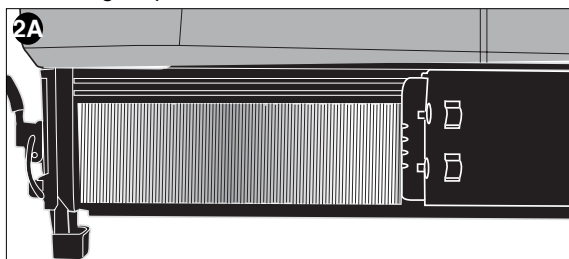
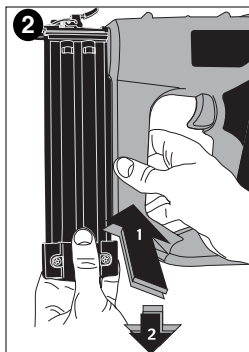
⚠ MISE EN GARDE : Maintenir l'outil pointé dans une direction sûre pendant le chargement de clous.

⚠ MISE EN GARDE : Ne jamais charger de clous si le déclencheur par contact ou la gâchette sont activés.

⚠ MISE EN GARDE : Toujours enclencher le verrouillage puis retirer le bloc-piles avant de charger ou décharger les clous.

Pour charger des attaches :

1. Lire les « Directives de sécurité » avant toute utilisation de l'outil,
2. Activer le verrouillage.
3. Retirer la pile.
4. Appuyer sur le déclencheur du poussoir et tirer sur l'arrière du chargeur.
5. Insérer les attaches sur le côté du chargeur. S'assurer que les attaches sont disposées sur leur pointes dans le conduit (Fig. 2A).
6. Repousser à fond le chargeur pour le fermer.



Utilisation de l'outil

⚠ AVERTISSEMENT : Toujours porter des lunettes de protection et un dispositif de protection pour les oreilles pendant l'utilisation de cet outil.

Pour utiliser le cloueur,

1. Désactiver le verrouillage.
2. Insérer le bloc-piles à fond.
3. Maintenir fermement le déclencheur par contact contre la surface à travailler.
4. Appuyer en maintenant la pression sur la gâchette.

⚠ MISE EN GARDE : Un clou est enfoncé chaque fois qu'on appuie sur la gâchette tant qu'on maintient le déclencheur par contact appuyé.

Réglage de profondeur (Fig. 3)

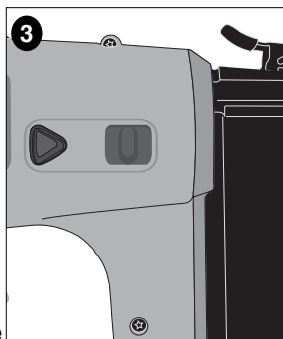
La profondeur à laquelle une attache est enfoncée peut être réglée à l'aide des boutons de réglage de profondeur sur le côté de l'outil.

⚠ AVERTISSEMENT : Pour réduire tout risque de blessure grave causé par un fonctionnement accidentel de l'appareil lors du réglage de profondeur, TOUJOURS :

- Activer le verrouillage.
- Déconnecter la pile.
- Éviter tout contact avec l'interrupteur pendant le réglage.

Il y a deux positions pour enfoncer les clous :

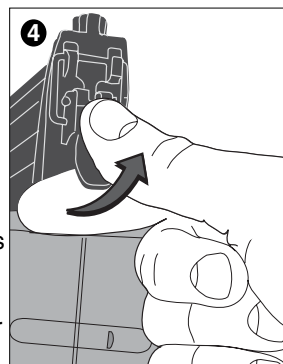
1. Pour enfoncer le clou moins profondément, appuyer sur le bouton verrouillage de réglage de profondeur et faire glisser la barre de profondeur d'ajustement vers l'avant. Relâcher le bouton de verrouillage de profondeur.
2. Pour enfoncer un clou plus profondément, appuyer sur le bouton de verrouillage de profondeur et faire glisser la barre de réglage de profondeur à fond en arrière. Relâcher le bouton de verrouillage de profondeur.



Désenrayage de clou (Fig. 4)

Si un clou venait à s'enrayer dans l'embout, maintenir l'outil pointé à l'opposé de soi-même et suivre les instructions ci-après pour le décoincer :

1. Activer le verrouillage.
2. Déconnecter la pile.
3. Relâcher le poussoir derrière les clous.
4. Tirer sur le loquet puis tirer pour ouvrir le panneau d'accès avant.
5. Retirer le clou tordu à l'aide d'une pince si nécessaire.
6. Si la lame de l'enfonceur est en position inférieure, insérer un tournevis ou autre instrument dans l'embout pour remettre la lame de l'enfonceur en place.
7. Retirer l'instrument utilisé puis refermer le panneau d'accès avant.
8. Soulever le loquet pour enclencher la partie métallique puis tirer en arrière pour verrouiller en place.
9. Réinsérer les clous dans le chargeur (voir la section Chargement de l'outil).
10. Repousser à fond le chargeur pour le fermer.



Entretien / Nettoyage

Nettoyer l'outil seulement au moyen d'un linge humide et d'un savon doux. Certains nettoyants domestiques contiennent des produits chimiques qui peuvent gravement endommager le plastique et tout colloïde. Ne pas utiliser d'essence, de térébenthine, de décapant, de diluant pour peintures, ou d'autres produits de même nature. Ne jamais laisser de liquide s'infiltrer à l'intérieur de l'outil ni immerger ce dernier dans un liquide quelconque.

IMPORTANT: Pour assurer la SÉCURITÉ et la FIABILITÉ de ce produit, toutes les opérations de réparation, d'entretien et de réglage doivent être effectuées dans un centre de service autorisé ou par du personnel qualifié; on ne doit utiliser que des pièces de rechange identiques.

Sceau RBRC^{MC}

Le sceau RBRC^{MC} de la Rechargeable Battery Recycling Corporation apposé sur la pile au nickel-cadmium (ou le bloc-pile) indique que les coûts de recyclage de ce dernier à la fin de sa vie utile ont déjà été payés par Black & Decker. En certains endroits, la mise au rebut ou aux ordures municipales des piles au nickel-cadmium est illégale; le programme de «RBRC» constitue donc une solution des plus pratiques et écologiques.

La «RBRC», en collaboration avec Black & Decker et d'autres utilisateurs de piles, a mis sur pied des programmes aux États-Unis et au Canada dans le but de faciliter la collecte des piles déchargées. Black & Decker encourage ses utilisateurs à participer à son programme de protection de l'environnement et de conservation des ressources naturelles en retournant les piles usagées à un centre de service Black & Decker ou chez un dépositaire local afin qu'elles puissent être recyclées. On peut en outre se renseigner auprès d'un centre de recyclage local pour connaître d'autres sites les acceptant, ou composer le **1 800 8-228-8379** pour obtenir de l'information sur le recyclage de ces piles dans sa région.

**Accessoires**

Les accessoires recommandés pour cet outil sont vendus séparément chez les dépositaires locaux ou aux centres de service autorisés. Pour obtenir plus d'information sur les accessoires, composer le : **1 800 544-6986 (1-800-54-HOW-TO)**.

⚠ **AVERTISSEMENT** : L'usage d'un accessoire non recommandé avec cet outil peut présenter un danger.

Information sur les services

Black & Decker dispose d'un réseau complet composé de centres de service et de centres autorisés situés partout en Amérique du Nord. Tous les centres de service Black & Decker sont dotés de personnel qualifié en matière d'outillage électrique; ils sont donc en mesure d'offrir à leur clientèle un service efficace et fiable. Pour obtenir un conseil technique ou une pièce d'origine ou pour faire réparer un outil, on peut communiquer avec le centre

Black & Decker le plus près. Pour obtenir le numéro de téléphone, consulter les pages jaunes sous la rubrique "Outils - électriques" ou composer le **1 800 544-6986 (1-800-54-HOW-TO)**.

Garantie complète de deux ans pour usage résidentiel

Black & Decker (U.S.) Inc. garantit ce produit pour une période de deux ans contre tout défaut de matériel ou de fabrication. Le produit défectueux sera remplacé ou réparé sans frais, suivant l'une des deux méthodes suivantes.

La première méthode consiste en un échange seulement. On doit retourner le produit au détaillant qui l'a vendu (pourvu qu'il s'agisse d'un détaillant participant), en respectant les délais stipulés dans sa politique relative aux échanges (normalement de 30 à 90 jours après la vente). Une preuve d'achat peut être requise. On doit vérifier la politique de retour du détaillant pour tout produit retourné après le délai prescrit pour les échanges.

La deuxième méthode consiste à apporter ou à envoyer le produit (prépayé) à un centre Black & Decker ou à un centre de service autorisé aux fins de réparation ou de remplacement, selon notre choix. Une preuve d'achat peut être requise. Les centres Black & Decker et les centres de service autorisés sont répertoriés dans les pages jaunes sous la rubrique «Outils - électriques».

Cette garantie ne s'applique pas aux accessoires. Elle confère des droits légaux particuliers à l'acheteur, mais celui-ci pourrait aussi bénéficier d'autres droits variant d'un territoire à l'autre.

Toute question doit être adressée au gérant du centre Black & Decker le plus près.

Ce produit n'est pas destiné à un usage commercial.

REMPLACEMENT GRATUIT DE L'ÉTIQUETTE D'AVERTISSEMENT : En cas de perte ou d'endommagement des étiquettes d'avertissement, composer le **1 800 544-6986** afin d'en obtenir de nouvelles sans frais.

Imported by / Importé par
Black & Decker Canada Inc.
100 Central Ave.
Brockville (Ontario) K6V 5W6

Voir la rubrique "Outils électriques"
des Pages Jaunes
pour le service et les ventes.



MANUAL DE INSTRUCCIONES

NÚMERO DE CATÁLOGO BDBN1200

**ANTES DE DEVOLVER ESTE PRODUCTO POR
CUALQUIER RAZON LE ROGAMOS LLAME AL
(55) 5326-7100**

⚠ Instrucciones de seguridad generales

⚠ **ADVERTENCIA:** Lea todas las instrucciones hasta comprenderlas. No ajustarse a las instrucciones siguientes puede ser causa de choque eléctrico, incendio o lesiones graves.

GUARDE ESTE MANUAL PARA FUTURAS CONSULTAS

Área de trabajo

- **Mantenga el área de trabajo limpia y bien iluminada.** Las bancadas desordenadas y las zonas oscuras propician los accidentes.
- **No opere herramientas eléctricas en atmósferas explosivas, como en presencia de líquidos, gases o polvos inflamables.** Las herramientas eléctricas producen chispas que pueden originar la ignición del polvo o los vapores.
- **Mientras opere una herramienta eléctrica, mantenga lejos a los observadores, niños y visitantes.** Las distracciones pueden ocasionar que pierda el control.

Seguridad eléctrica

- **No maltrate el cable. Nunca lleve la herramienta por el cable. Mantenga el cable alejado de las fuentes de calor, el aceite, las orillas afiladas o las piezas en movimiento. Cambie inmediatamente los cables dañados.** Los cables dañados pueden provocar un incendio..
- **Una herramienta que funciona con baterías integradas o con una unidad de alimentación independiente sólo debe recargarse con el cargador especificado para la batería.** Un cargador puede ser adecuado para un tipo de batería y, sin embargo, crear riesgo de incendio cuando se usa con otro.
- **Las herramientas que operan con baterías se deben utilizar sólo con la unidad de alimentación específicamente señalada.** La utilización de otras baterías puede comportar riesgo de incendio.

Seguridad personal

- **Al utilizar una herramienta eléctrica, esté atento, concéntrese en lo que hace y aplique el sentido común. No utilice la herramienta si se encuentra fatigado o bajo la influencia de drogas, alcohol o fármacos.** Mientras se utilizan herramientas eléctricas, basta un instante de distracción para sufrir lesiones graves.
- **Lleve ropa adecuada. No utilice ropa suelta ni joyas. Recójase el cabello largo. Mantenga el cabello, la ropa y los guantes apartados de las piezas en movimiento.** Las partes móviles pueden atrapar las prendas de vestir sueltas, las joyas y el cabello. Los orificios de ventilación suelen cubrir piezas en movimiento, por lo que también se deben evitar.
- **Evite puestas en marcha accidentales. Asegúrese de que el interruptor esté apagado antes de enchufar la máquina.** Transportar las herramientas con el dedo sobre el interruptor o enchufarlas con el interruptor encendido favorece los accidentes.
- **Antes de poner en marcha la herramienta, retire las llaves de ajuste.** Una llave que se deje en una pieza giratoria de la herramienta puede provocar lesiones.
- **No ponga en peligro su estabilidad. Manténgase siempre bien apoyado y equilibrado.** Un buen apoyo y equilibrio permiten controlar mejor la herramienta si se produce algún imprevisto.
- **Utilice el equipo de seguridad. Lleve siempre lentes protectores.** Cuando sea adecuado, también se debe usar mascarilla antipolvo, zapatos de suela antideslizante, casco o protectores auditivos.

Uso y cuidados de la herramienta

- **Utilice abrazaderas u otro elemento adecuado para sujetar y apoyar la pieza de trabajo en una plataforma estable.** Sujetar la pieza con la mano o contra el cuerpo es inestable y facilita la pérdida de control.
- **No fuerce la herramienta. Emplee la herramienta correcta para cada aplicación.** La herramienta correcta hace el trabajo mejor y más seguro dentro del rango para el que ha sido diseñada.
- **No utilice la herramienta si el interruptor no la enciende y apaga.** Cualquier herramienta que no pueda controlarse con el interruptor es peligrosa y se debe reparar.
- **Desconecte la unidad de alimentación de la herramienta o ponga el conmutador en posición de bloqueo o de apagado antes de realizar cualquier ajuste, cambiar accesorios o guardar la herramienta.** Estas medidas de seguridad preventiva reducen el riesgo de poner en marcha la herramienta accidentalmente.
- **Cuando no las utilice, guarde las herramientas fuera del alcance de los niños o de cualquier persona no capacitada.** Las herramientas son peligrosas en manos de usuarios no capacitados.
- **Cuando la unidad de alimentación no esté en uso, manténgala alejada de otros objetos metálicos tales como: sujetapapeles, monedas, llaves, clavos, tornillos u otros objetos metálicos pequeños que podrían generar una conexión entre sus terminales.** Provocar un cortocircuito entre los terminales de la batería puede causar chispas, quemaduras o incendios.
- **Cuide las herramientas. Conserve las herramientas de corte afiladas y limpias.** Unas herramientas adecuadamente cuidadas y con los bordes de corte afilados se atascan menos y son más fáciles de controlar.
- **Compruebe si las piezas móviles se desalinean o atascan, si hay alguna pieza rota o cualquier otra circunstancia que pueda afectar la operación de la herramienta. Si la herramienta está dañada, hágala reparar antes de usarla.** Muchos accidentes los provocan unas herramientas mal cuidadas.
- **Utilice únicamente los accesorios recomendados por el fabricante para su modelo.** Un mismo accesorio puede ser adecuado para una herramienta, pero peligroso si se usa en otra.

Servicio

- **El servicio a la herramienta sólo deber ser realizado por personal de reparación calificado.** Si el servicio o mantenimiento es realizado por personal no calificado, podría resultar en riesgo de lesión.
- **Cuando se repare una herramienta, sólo se deben usar repuestos originales. Siga las instrucciones en la sección de mantenimiento de este manual.** El uso de repuestos no autorizados o el incumplimiento de las instrucciones de mantenimiento pueden crear un riesgo de descarga eléctrica o lesión.

⚠ Instrucciones de seguridad importantes para clavadoras

- **⚠ ADVERTENCIA: Cuando utilice cualquier tipo de clavadora, siga todas las precauciones de seguridad detalladas a continuación para evitar el riesgo de lesiones corporales graves o fatales.** Lea todas las instrucciones hasta comprenderlas antes de operar la herramienta.
- **Sostenga la herramienta por las superficies aisladas al usarla cuando una herramienta de cortar pueda entrar en contacto con cables ocultos o su propio cable.** El contacto con un cable vivo hará que las partes expuestas de metal se convierta en vivo y habrá una descarga eléctrica al operador.
- **Cuando trabaje desde una escalera o andamio, asegúrese de echar la herramienta sobre un costado cuando no esté en uso.** Algunas herramientas con unidades de alimentación grandes pueden ser colocadas en posición vertical pero pueden ser fácilmente botadas.
- **La activación de la herramienta puede hacer que salgan despedidos desechos, material de colación o polvo lo que podría dañar los ojos del operador.** El operador y todas las personas que se encuentren en el área cercana deberían llevar lentes de seguridad con protectores laterales permanentes. Los lentes de seguridad aprobados tienen impresos los caracteres "Z87.1".

- **Utilice siempre protección apropiada, tanto auditiva como de otro tipo, durante la utilización.** Bajo algunas condiciones y duraciones de uso, el ruido producido por este producto puede contribuir a la pérdida auditiva.
- **Siempre active el bloqueo en off primero y desconecte la unidad de alimentación de la herramienta cuando vaya a desatascarla, hacerle mantenimiento o reparación, moverla, o dejarla sin supervisión.**
- **No extraiga, altere, ni provoque el cese del funcionamiento de la herramienta, el gatillo o el activador por contacto.** No ate ni fije con cinta adhesiva el gatillo o el activador por contacto en la posición de ENCENDIDO. No extraiga el resorte del activador por contacto. Podría producir una descarga incontrolada.
- **No trabaje con la herramienta si alguna parte de ésta, el gatillo o el activador por contacto no funcionan; o si está desconectada o modificada o no funciona adecuadamente.** Las piezas dañadas o que falten se deben reparar o reponer antes de usar la herramienta.
- **No modifique ni cambie nunca la herramienta.**
- **Siempre tenga en cuenta que la herramienta contiene clavos.**
- **No apunte la herramienta a otros o a sí mismo en ningún momento. ¡No juegue con la herramienta! ¡Trabaje con seguridad! Considere que la herramienta es un utensilio de trabajo.**
- **Mientras opere una herramienta eléctrica, mantenga lejos a los observadores, niños y visitantes. Las distracciones pueden ocasionar que pierda el control. Cuando no use la herramienta, guárdela bajo llave en un lugar seguro, fuera del alcance de niños.**
- **No transporte la herramienta con el gatillo apretado.** Podría producir una descarga accidental.
- **Siempre bloquee la herramienta en off cuando no la vaya usar inmediatamente.** El uso del dispositivo de seguridad evitará que se descargue accidentalmente.
- **Utilice la herramienta solamente para el fin para el que se diseñó. No descargue clavos directamente al aire, ni sobre hormigón, piedra, maderas duras, nudos o cualquier otro material que sea demasiado duro para que el clavo penetre. Los clavos descargados pueden causar lesiones.**
- **No utilice la herramienta ni la tapa superior como martillo.**
- **Siempre mantenga los dedos apartados del recorrido de los clavos del depósito a fin de prevenir lesiones en el caso de que el liberador del propulsor se soltase inadvertidamente.**
- **No se sobreextienda. Manténgase siempre bien apoyado y equilibrado.**
- **Refiérase a las secciones de Mantenimiento y Servicio para mayor información sobre el debido mantenimiento de la herramienta.**
- **Siempre use la herramienta en un lugar limpio e iluminado.** Asegúrese que la superficie de trabajo esté despejada de todo desecho y tenga cuidado de no perder el equilibrio cuando trabaje en lugares elevados como tejados.
- **No clave cerca del borde del material.** La pieza de trabajo se podría partir y hacer que el clavo rebote, hiriéndolo a usted o a un compañero. Tenga en cuenta que el clavo puede seguir la veta de la madera haciendo que se salga en forma inesperada por un lado del material. Clave la punta de cincel del clavo perpendicular a la veta para reducir el riesgo de lesiones.
- **Mantenga las manos y otras partes del cuerpo alejadas del área de trabajo más inmediata.** Sostenga la pieza de trabajo con abrazaderas cuando sea necesario, para mantener las manos y el cuerpo alejados de la zona de peligro. Verifique que la pieza de trabajo esté debidamente sujeta antes de presionar la clavadora contra el material. El activador por contacto puede provocar que el material de trabajo se desplace inesperadamente.
- **No utilice la herramienta en presencia de polvo, gases o humos inflamables.** La herramienta puede producir chispas que podrían encender los gases y provocar un incendio. Si clava un clavo encima de otro también puede producir chispas.
- **Mantenga la cara y otras partes del cuerpo alejados de la parte posterior de la tapa de la herramienta cuando trabaje en espacios limitados.** El rebote repentino puede impactar el cuerpo, especialmente cuando clave en materiales duros o compactos.
- **No clave sobre las cabezas de otros clavos.** Podría producir un fuerte rebote de la herramienta o de los clavos o hacer que los clavos queden atascados.

- **Tenga en cuenta el grosor del material cuando use la clavadora.** Si un clavo sobresale podría producir lesiones.
- **No active la herramienta a no ser que esté firmemente puesta contra la pieza de trabajo.**
- **AJUSTE DE PROFUNDIDAD:** Para reducir el riesgo de lesiones graves debidas a una puesta en marcha accidental al tratar de ajustar la profundidad, SIEMPRE:
 - Active el bloqueo en off.
 - Retire la unidad de alimentación.
 - Evite el contacto con el gatillo durante la realización de ajustes.
- **No clave en paredes, suelos u otras superficies de trabajo si no está seguro de lo que hay al otro lado.** Los clavos introducidos en cables eléctricos, cañerías u otro tipo de obstrucciones pueden provocar lesiones.

⚠ ADVERTENCIA: Parte del polvo generado al lijar, serrar, esmerilar y taladrar, así como al realizar otras actividades del sector de la construcción, contienen productos químicos que pueden producir cáncer, defectos congénitos u otras afecciones reproductivas. Ejemplos de esas sustancias químicas son:

- plomo procedente de pinturas a base de plomo,
- óxido de silicio cristalino procedente de ladrillos, cemento y otros productos de mampostería, y
- arsénico y cromo procedentes de madera tratada químicamente (CCA).

El peligro derivado de estas exposiciones que usted enfrente varía en función de la frecuencia con que se realice este tipo de trabajo. Para reducir la exposición a esas sustancias químicas: trabaje en una zona bien ventilada y llevando equipos de seguridad aprobados, como mascarillas antipolvo especialmente diseñadas para filtrar partículas microscópicas.

• **Evite el contacto prolongado con el polvo procedente del lijado, serrado, esmerilado y taladrado eléctricos, así como de otras actividades del sector de la construcción. Lleve ropa protectora y lave con agua y jabón las zonas expuestas.** Si permite que el polvo se introduzca en la boca u ojos o quede sobre la piel, puede favorecer la absorción de productos químicos peligrosos.

⚠ ADVERTENCIA: El uso de esta herramienta puede generar o dispersar polvo lo cual puede causar lesiones respiratorias serias y permanentes y otros tipos de lesión. Siempre use protección respiratoria aprobada por NIOSH/OSHA para la exposición al polvo. Dirija las partículas en dirección opuesta a su cara y cuerpo.

La etiqueta de su herramienta puede incluir los siguientes símbolos.

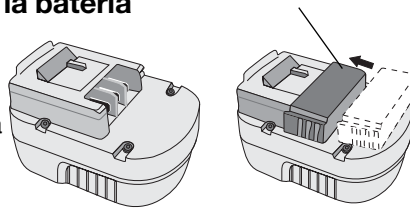
- | | | | |
|------------|-----------------------------|----------------------|--|
| V | volts | A | amperes |
| Hz | hertz | W | watts |
| min | minutos | ~ | corriente alterna |
| ==== | corriente directa | n _o | velocidadsin carga |
| ☐ | construcción clase II | ⊕ | terminales de conexión a tierra |
| ⚠ | símbolo de alerta seguridad | .../min | revoluciones o reciprocaciones porminuto |

Antes de operar esta herramienta lea con detenimiento las instrucciones de la sección "Instrucciones importantes de seguridad".

Información acerca del protector de la batería

Se han incluido protectores para el almacenaje y transporte de la batería. Estos deben ser usados cuando la batería no esté conectada a la herramienta ni en el cargador. Recuerde quitar el protector antes de poner la batería en el cargador o conectarla a la herramienta.

Protector de la batería



⚠ **ADVERTENCIA:** No guarde ni lleve baterías, unidades de alimentación o pilas en un lugar donde sus terminales pudieran entrar en contacto con algún objeto metálico. Por ejemplo, no ponga baterías, unidades de alimentación o pilas dentro de un delantal o bolsillo, una caja de herramientas o de almacenamiento del producto, un cajón, etc., junto con clavos sueltos, tornillos, llaves, etc. si no están debidamente protegidas. El transporte de baterías, unidades de alimentación o pilas puede causar un incendio si sus terminales entran en contacto sin querer con materiales conductores como llaves, monedas, herramientas de mano y otros por el estilo. De hecho, el reglamento sobre materiales peligrosos (HMR) del Ministerio de Transporte de los Estados Unidos prohíbe el transporte de baterías, unidades de alimentación o pilas en cualquier tipo de transporte terrestre o aéreo (es decir, embaladas en maletas y maletines de mano) A NO SER que estén debidamente protegidas de hacer cortocircuito. Por lo tanto, cuando transporte baterías, unidades de alimentación o pilas individuales, asegúrese que sus terminales estén protegidos y debidamente aislados de materiales que pudieran entrar en contacto con ellos y causar un cortocircuito.

⚠ **Advertencias e instrucciones de seguridad: Carga**

1. Este manual contiene instrucciones de seguridad y operación importantes.
2. Antes de usar el cargador de batería, lea todas las instrucciones y marcas de advertencia en (1) el cargador de la batería, (2) la batería y (3) el producto que utiliza la batería.
3. ⚠ **ATENCIÓN:** Para reducir el riesgo de lesión, sólo cargue unidades de alimentación Black & Decker. Otros tipos de baterías podrían reventarse y causar lesiones corporales y otros daños.
4. No exponga el cargador a lluvia o nieve.
5. El uso de un accesorio no recomendado o vendido por Black & Decker podría resultar en riesgo de incendio, descarga eléctrica o lesiones corporales.
6. Para reducir el riesgo de daño al enchufe y cable de alimentación, jale del enchufe y no del cable cuando desconecte el cargador.
7. Asegúrese que el cable no sea ubicado de manera que podría ser pisado, causar que alguien tropiece con él o ser expuesto a otro tipo de daños.
8. No se debería usar un alargador a no ser que sea absolutamente necesario. El uso de un alargador incorrecto podría resultar en riesgo de incendio, descarga eléctrica o electrocución.
 - a. Cables de dos hilos pueden ser usados con alargadores de 2 ó 3 hilos. Sólo se deben usar alargadores con revestimiento redondo y recomendamos que además se encuentren en la lista de Underwriters Laboratories (U.L.). Si el alargador será utilizado en la intemperie, el cable debe ser adecuado para uso exterior. Cualquier cable marcado para uso exterior es también adecuado para uso interior. Las letras "W" o "WA" en el revestimiento del cable indican que el cable puede ser usado en la intemperie.
 - b. Los hilos del alargador deben ser de un calibre apropiado (AWG o American Wire Gauge) para su seguridad y para evitar la pérdida de potencia y sobrecalentamiento. Mientras menor sea el calibre del hilo, mayor la capacidad del cable. Es decir, un hilo calibre 16 tiene mayor capacidad que uno de 18. Cuando se utilice más de un alargador para completar el largo total, asegúrese que los hilos de cada alargador tengan el calibre mínimo.

CALIBRES MÍNIMOS RECOMENDADOS PARA ALARGADORES

AMPERAJE DE POTENCIA NOMINAL – 0 – 10,0

LONGITUD TOTAL DEL CABLE

25 pies 7,6 m	50 pies 15,2 m	75 pies 22,9 m	100 pies 30,5 m	125 pies 38,1 m	150 pies 45,7 m	175 pies 53,3 m
------------------	-------------------	-------------------	--------------------	--------------------	--------------------	--------------------

Calibre AWG

18	18	16	16	14	14	12
----	----	----	----	----	----	----

9. Cuando cargue la herramienta, utilice sólo el cargador incluido. El uso de cualquier otro cargador podría dañar la unidad de alimentación o ser peligroso.
10. Sólo use un cargador cuando lo cargue.

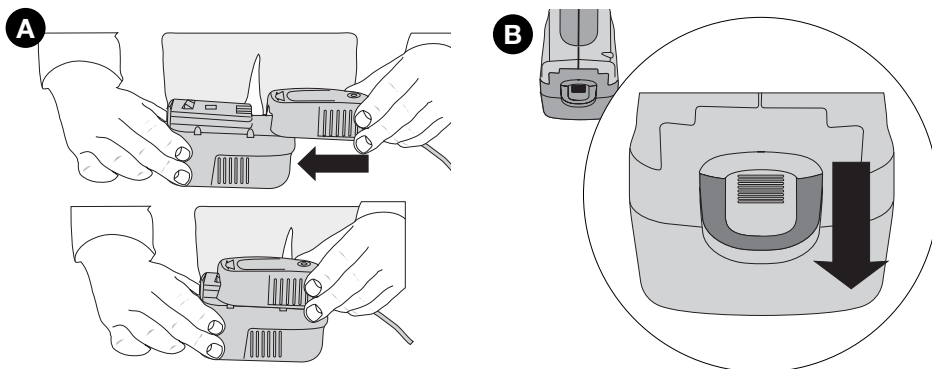
11. No intente abrir el cargador o el taladro. No contienen piezas que puedan ser reparadas por el usuario. Devuelva a cualquier centro de servicio Black & Decker autorizado.
12. NO incinere el taladro o las unidades de alimentación aunque se encuentren gravemente dañados o completamente gastados. Las baterías pueden explotar en un incendio.
13. No incinere las baterías. Pueden explotar en un incendio. Las celdas de la batería pueden tener fugas pequeñas de líquido cuando han sido usadas o cargadas durante períodos demasiado largos, o bajo ciertas condiciones de temperatura. Esto no indica una falla. Sin embargo, si el sello externo ha sido roto y su piel entra en contacto con el líquido:
 - a. Lave rápidamente con jabón y agua.
 - b. Neutralice con un ácido suave como jugo de limón o vinagre.
 - c. Si el líquido de la batería le entra a los ojos, lávelos con agua limpia por al menos 10 minutos y hágase ver por un médico de inmediato. **NOTA MÉDICA:** El líquido es una solución de 25-35% de hidróxido de potasio.

Cómo cargar la unidad de alimentación

LA UNIDAD DE ALIMENTACIÓN NO VIENE COMPLETAMENTE CARGADA DE FÁBRICA. ANTES DE INTENTAR CARGARLA, LEA CONCIENZUDAMENTE TODAS LAS INSTRUCCIONES DE SEGURIDAD.

El cargador está diseñado para utilizar la corriente doméstica estándar de 120 voltios 60 Hz.

1. Enchufe el cargador en cualquier toma de corriente estándar de 120 voltios 60 Hz.
NOTA: No cargue con un generador de motor o una fuente de corriente directa. Use sólo 120 V de corriente alterna.
2. Deslice el cargador en la unidad de alimentación como lo muestra la **Figura A** y deje que la batería se cargue inicialmente por 9 horas. Luego de la carga inicial, su unidad de alimentación debería cargarse completamente en **3 a 6 horas**, si tiene una frecuencia de uso normal.



3. Desenchufe el cargador y quite la unidad de alimentación. **Conecte la batería a la herramienta y asegúrese que quede completamente insertada en la cavidad de la herramienta, hasta escuchar un 'clic'.**

NOTA: Para quitar la batería de la herramienta, presione el pulsador de liberación que se encuentra en la parte posterior de la batería (**Figura B**) y deslícela hacia afuera.

Notas importantes respecto al proceso de carga

1. Luego de un uso normal, su unidad de alimentación debería quedar completamente cargada en 3 a 6 horas. Si la unidad de alimentación ha sido completamente agotada, puede tomar hasta 6 horas en cargarse por completo. Su unidad de alimentación no viene cargada de fábrica. Antes de intentar usarla, debe ser cargada por al menos 9 horas.
2. NO cargue la unidad de alimentación cuando la temperatura ambiental sea menor a 40 °F (4,5 °C) o mayor a 105 °F (40,6 °C). Esto es importante y prevendrá que la

unidad de alimentación sea seriamente dañada. Se puede lograr una mayor duración y mejor rendimiento si la unidad de alimentación se carga cuando la temperatura ambiental sea de aproximadamente 75 °F (23,9 °C).

3. Mientras carga, el cargador puede emitir un zumbido y hacerse caliente al tacto. Esto es normal y no indica un problema.
4. Si la unidad de alimentación no se carga bien — (1) Revise que la toma de corriente funcione bien. Enchufe una lámpara u otro aparato en ella. (2) Revise si la toma de corriente está conectada a un interruptor que apague la corriente cuando apague la luz. (3) Lleve el cargador y la unidad de alimentación a un lugar cuya temperatura ambiental sea entre 40 y 105°F (4,5 a 40,6°C). (4) Si el enchufe y la temperatura están bien y aún no consigue cargar la batería, traiga o envíe su unidad de alimentación y cargador a su centro local de servicio Black & Decker. Busque bajo 'Herramientas eléctricas' en las páginas amarillas.
5. La unidad de alimentación debería ser recargada cuando no sea capaz de producir suficiente potencia para trabajos que eran fácilmente realizados antes. **NO SIGA** usando el producto cuando su unidad de alimentación se encuentre agotada.
6. Para prolongar la duración de la unidad de alimentación, evite dejarla cargando durante períodos de tiempo muy largos (más de 30 días sin usar). A pesar que el sobrecargarla no es motivo de preocupación desde el punto de vista de seguridad, puede reducir significativamente la duración general de la unidad de alimentación.
7. La unidad de alimentación alcanzará su rendimiento óptimo una vez que haya sido ciclada 5 veces durante uso normal. No es necesario agotar las baterías por completo antes de recargarlas. El uso normal es la mejor manera de descargar y recargar las baterías.

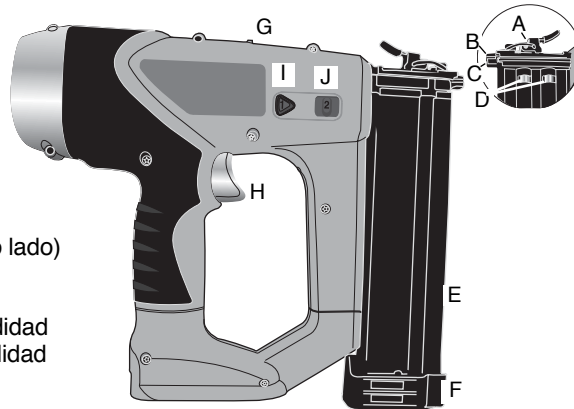
Etapa de mantenimiento

La característica de carga de mantenimiento del cargador permite a la unidad de alimentación mantenerse en el cargador, lista para ser usada. Con el cargador conectado a la corriente doméstica estándar, la luz roja del indicador de carga estará constantemente encendida. El cargador mantendrá la unidad de alimentación completamente cargada. Las unidades de alimentación pierden su carga lentamente cuando no se almacenan en el cargador.

GUARDE ESTAS INSTRUCCIONES PARA REFERENCIA FUTURA

Características

- A. Pasador para despejar obstrucciones
- B. Activador por contacto
- C. Almohadilla protectora
- D. Ventana indicadora del nivel de clavos
- E. Cargador
- F. Liberador del propulsor (otro lado)
- G. Bloqueo en off
- H. Gatillo
- I. Botón de bloqueo de profundidad
- J. Barra de ajuste de la profundidad



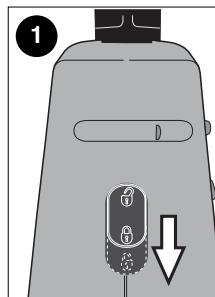
ESPECIFICACIONES PARA CLAVOS - BDBN1200 CLAVADORA INALÁMBRICA CALIBRE 18

Largos	16 mm - 50 mm (5/8 pulg. - 2 pulg.)
Diámetros	calibre 18

Instrucciones de funcionamiento

Uso del bloqueo en off (Figura 1)

La clavadora viene con un conmutador de bloqueo en off que evita que la herramienta se active. Para activarlo, empuje el bloqueo en off a la posición de más atrás, como lo muestra la Figura 4.



Carga de la herramienta (Figura 2)

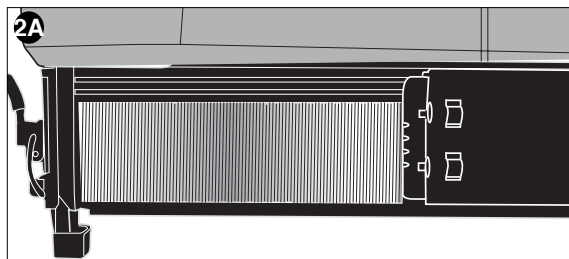
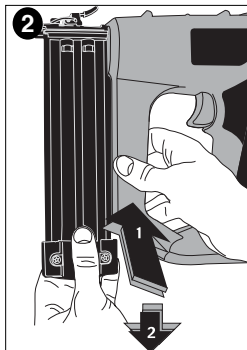
⚠ **PRECAUCIÓN:** Mantenga la herramienta apuntada en una dirección segura cuando cargue los clavos.

⚠ **PRECAUCIÓN:** No cargue nunca los clavos con el activador por contacto o el gatillo activados.

⚠ **PRECAUCIÓN:** Siempre active el bloqueo en off y retire la unidad de alimentación antes de cargar o descargar clavos.

Para cargar clavos:

1. Lea todas las "Advertencias de seguridad" antes de utilizar la herramienta.
2. Active el bloqueo en off.
3. Retire la batería.
4. Presione el liberador del propulsor y tire el cargador hacia atrás.
5. Inserte los clavos por el lado del cargador. Asegúrese que los clavos vayan parados sobre sus puntas dentro del canal, como lo muestra la Figura 2A.
6. Empuje el cargador para cerrarlo hasta que encaje en la posición correcta.



Activación de la herramienta

⚠ **ADVERTENCIA:** Siempre lleve protección ocular y auditiva cuando trabaje con esta herramienta.

Para operar la clavadora:

1. Desbloquee el activador.
2. Inserte la unidad de alimentación y fijela en su lugar.
3. Presione el activador por contacto firmemente contra la superficie de trabajo.
4. Presione el gatillo y manténgalo apretado.

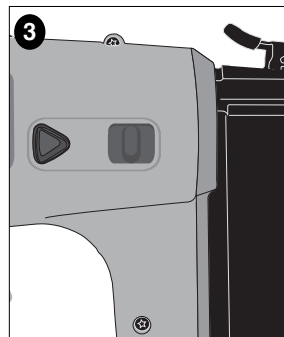
⚠ **PRECAUCIÓN:** Un clavo será disparado cada vez que se presiona el gatillo, siempre que el activador por contacto permanezca presionado.

Ajuste de profundidad (Figura 3)

La profundidad de clavado se puede ajustar con los botones de ajuste de profundidad al costado de la herramienta.

⚠ **ADVERTENCIA:** Para reducir el riesgo de lesiones graves debidas a una puesta en marcha accidental al tratar de ajustar la profundidad, SIEMPRE:

- Active el bloqueo en off.
- Desconecte la batería.
- Evite el contacto con el gatillo durante la realización de ajustes.



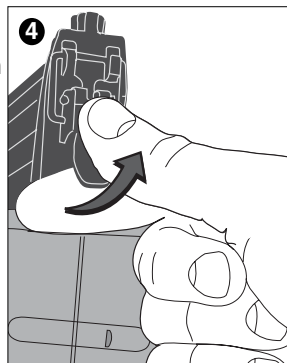
Existen dos posiciones para clavar:

1. Para clavar con menor profundidad, presione el botón de bloqueo de profundidad y deslice la barra de ajuste de profundidad hacia adelante. Suelte el botón de bloqueo de profundidad.
2. Para clavar con mayor profundidad, presione el botón de bloqueo de profundidad y deslice la barra de ajuste de profundidad completamente hacia atrás. Suelte el botón de bloqueo de profundidad.

Cómo despejar un clavo atorado (Figura 4)

Si un clavo se atasca en la tobera, apunte la herramienta en dirección contraria a usted y siga estas instrucciones:

1. Active el bloqueo en off.
2. Desconecte la batería.
3. Suelte el liberador del propulsor de la parte posterior de los clavos.
4. Tire del pasador hacia arriba y luego tire de la puerta hacia arriba para abrirla.
5. Extraiga el clavo torcido con pinzas, si fuera necesario.
6. Si la hoja de guía se encuentra en la posición inferior, inserte un destornillador o una varilla en la tobera y empuje la hoja de guía hacia atrás, hasta que quede en su posición.
7. Retire la varilla y cierre la puerta frontal.
8. Levante el pasador para enganchar el alambre y tire hacia atrás para fijar en posición.
9. Vuelva a insertar los clavos en el cargador (consulte la sección Carga de la herramienta).
10. Empuje el cargador para cerrarlo hasta que encaje en la posición correcta.



Mantenimiento / Limpieza

Para limpiar la herramienta, sólo utilice un paño húmedo y jabón suave. Muchos limpiadores domésticos contienen químicos que podrían dañar seriamente los componentes plásticos y de gel. Tampoco utilice gasolina, trementina, laca o diluyente de pintura o productos similares. Jamás permita que le entre líquido a la herramienta; nunca sumerja ninguna parte de la herramienta.

IMPORTANTE: Para garantizar la SEGURIDAD y la FIABILIDAD del producto, toda reparación, mantenimiento y ajuste, deberán ser realizados en los centros autorizados de servicio u otras organizaciones de servicio calificadas, utilizando siempre para ello accesorios originales.

El sello RBRC™

El sello RBRC™ (Rechargeable Battery Recycling Corporation o Corporación de Reciclaje de Baterías Recargables) en la batería (o unidad de alimentación) de níquel- cadmio indica que los costos de reciclaje de la batería (o unidad de alimentación), una vez que llegue al final de su vida útil, ya han sido pagados por Black & Decker. En algunas áreas es ilegal botar baterías de níquel- cadmio gastadas en la basura o corriente de residuos sólidos urbanos, y el programa RBRC ofrece una alternativa ecológica. RBRC, en colaboración con Black & Decker y otros usuarios de baterías, ha establecido programas en los EE.UU. y Canadá para facilitar la colección de baterías de níquel- cadmio gastadas.

Ayude a proteger nuestro medio ambiente y a conservar los recursos naturales devolviendo la batería de níquel- cadmio gastada a un centro de servicio Black & Decker autorizado o a su distribuidor local para que sea reciclada. También puede contactar a su centro local de reciclaje para mayor información sobre dónde ir a dejar la batería gastada, o llame al **1-800-8-BATTERY**.



Accesorios

Los accesorios que se recomiendan usar con su herramienta están disponibles donde su distribuidor o centro de servicio local. De necesitar asistencia para obtener un accesorio, favor llamar al: **1-800-544-6986 (1-800-54-HOW-TO)**

⚠ **ADVERTENCIA:** Puede ser peligroso usar cualquier accesorio no recomendado.

Información de servicio

Black & Decker ofrece una red completa de centros de servicio y centros autorizados en toda Norteamérica. Todos los centros de servicio Black & Decker disponen de personal entrenado para dar un servicio eficiente y confiable a las herramientas eléctricas de sus clientes. De necesitar orientación técnica, reparación o repuestos originales de fábrica, diríjase al centro Black & Decker local. Para hallar la ubicación del centro de servicio más cercano, busque en las páginas amarillas de la guía telefónica bajo "Herramientas—Eléctricas" o llame a: **1-800-544-6986 (1-800-54-HOW-TO)**.

Garantía completa de dos años para uso doméstico

Black & Decker (U.S.) Inc. garantiza este producto por dos años contra cualquier defecto en su material o fabricación. Existen dos opciones para reemplazar o reparar el producto defectuoso, sin costo.

La primera, la cual resultará sólo en un cambio, es devolver el producto al vendedor del cual fue comprado (siempre que sea un local participante). Las devoluciones deberán realizarse durante el plazo especificado en la política de devoluciones del vendedor (generalmente entre 30 y 90 días después de la fecha de compra). Puede que sea necesario presentar prueba de compra. Por favor averigüe cuál es la política del vendedor para devoluciones efectuadas más allá del plazo para cambios.

La segunda opción es llevar o enviar el producto (con franqueo pagado) a un Centro de Servicio autorizado o al Centro de Servicio Black & Decker para su reparación o reemplazo, a decisión nuestra. Puede que sea necesario presentar prueba de compra. Los Centros de Servicio autorizados y Centros de Servicio Black & Decker se encuentran en las páginas amarillas bajo "Herramientas eléctricas".

Esta garantía no aplica a los accesorios. Esta garantía le da derechos legales específicos además de los cuales puede tener otros, los cuales varían entre estados. Si tuviese alguna pregunta, contacte al gerente de su Centro de Servicio Black & Decker más cercano. Este producto no es para uso comercial.

SUSTITUCIÓN GRATUITA DE LAS ETIQUETAS DE ADVERTENCIA: Si sus etiquetas de advertencia se vuelven ilegibles o se pierden, llame al **1-800-544-6986** para conseguir repuestos gratuitos.

ESPECIFICACIONES - BDBN1200

Cargador:
INPUT: 120 V AC 60 HZ
0.7 AMPS (NOM 0,7 A)
OUTPUT: 0.8 AMPS DC
(NOM 0,8 A)

Para reparación y servicio de sus herramientas eléctricas, favor de dirigirse al Centro de Servicio más cercano:

CULIACAN, SIN
Av. Nicolás Bravo #1063 Sur
(667) 7 12 42 11
Col. Industrial Bravo

MONTERREY, N.L.
Av. Francisco I. Madero
No.831
(81) 8375 2313
Col. Centro

TORREON, COAH
Blvd. Independencia, 96 Pte.
(871) 716 5265
Col. Centro

GUADALAJARA, JAL
Av. La Paz #1779
(33) 3825 6978
Col. Americana Sector Juarez

PUEBLA, PUE
17 Norte #205
(222) 246 3714
Col. Centro

VERACRUZ, VER
Prolongación Díaz Mirón #4280
(229)921 7016
Col. Remes

MEXICO, D.F.
Eje Central Lázaro Cardenas
No. 18
(55) 5588 9377
Local D, Col. Obrera

QUERETARO, QRO
Av. Madero 139 Pte.
(442) 214 1660
Col. Centro

VILLAHERMOSA, TAB
Constitución 516-A
(993) 312 5111
Col. Centro

MERIDA, YUC
Calle 63 #459-A
(999) 928 5038
Col. Centro

SAN LUIS POTOSI, SLP
Av. Universidad 1525
(444) 814 2383
Col. San Luis

PARA OTRAS LOCALIDADES LLAME AL: (55) 5326 7100

IMPORTADOR: BLACK & DECKER S.A. DE C.V.
BOSQUES DE RADIATAS NO. 42
BOSQUES DE LAS LOMAS, 05120 MEXICO,
D.F.
TEL (55)5326-7100

Para servicio y ventas consulte
"HERRAMIENTAS ELECTRICAS"
en la sección amarilla.



