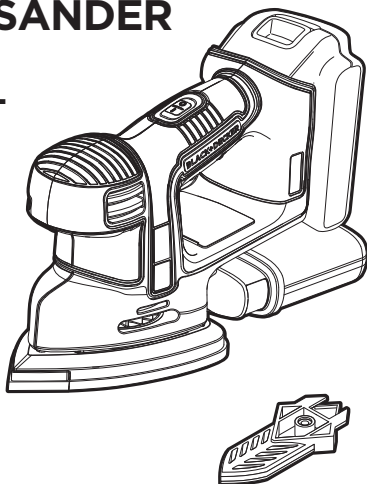


BLACK+ DECKER™

20V MAX* MOUSE SANDER

INSTRUCTION MANUAL

CATALOG NUMBER
BDCMS20



Thank you for choosing BLACK+DECKER!

PLEASE READ BEFORE RETURNING THIS PRODUCT FOR ANY REASON.

If you have a question or experience a problem with your BLACK+DECKER purchase, go to <http://www.blackanddecker.com/instantanswers>

If you can't find the answer or do not have access to the Internet, call 1-800-544-6986 from 8 a.m. to 5 p.m. EST Mon. - Fri. to speak with an agent. Please have the catalog number available when you call.

SAVE THIS MANUAL FOR FUTURE REFERENCE.

VEA EL ESPAÑOL EN LA CONTRAPORTADA.

INSTRUCTIVO DE OPERACIÓN, CENTROS DE SERVICIO Y PÓLIZA DE GARANTÍA.

ADVERTENCIA: LÉASE ESTE INSTRUCTIVO ANTES DE USAR EL PRODUCTO.

*Maximum initial battery pack voltage (measured without a workload) is 20 volts. The nominal voltage is 18.

KEY INFORMATION YOU SHOULD KNOW:

- Do not push down—let the sander do the work.
- Extended drywall sanding is not recommended for this product.

To register your new product, visit
www.BlackandDecker.com/NewOwner

Definitions: Safety Alert Symbols and Words

This instruction manual uses the following safety alert symbols and words to alert you to hazardous situations and your risks of personal injury or property damage.

⚠ DANGER: Indicates an imminently hazardous situation which, if not avoided, will result in death or serious injury.

⚠ WARNING: Indicates a potentially hazardous situation which, if not avoided, could result in death or serious injury.

⚠ CAUTION: Indicates a potentially hazardous situation which, if not avoided, may result in minor or moderate injury.

NOTICE: Used without the safety alert symbol indicates potentially hazardous situation which, if not avoided, may result in property damage.

⚠ WARNING: Read all safety warnings and all instructions.

Failure to follow the warnings and instructions may result in electric shock, fire and/or serious injury.

SAVE ALL WARNINGS AND INSTRUCTIONS FOR FUTURE REFERENCE

The term "power tool" in the warnings refers to your mains-operated (corded) power tool or battery-operated (cordless) power tool.

SAVE THESE INSTRUCTIONS

1) WORK AREA SAFETY

- a) Keep work area clean and well lit.** *Cluttered or dark areas invite accidents.*
- b) Do not operate power tools in explosive atmospheres, such as in the presence of flammable liquids, gases or dust.** *Power tools create sparks which may ignite the dust or fumes.*
- c) Keep children and bystanders away while operating a power tool.** *Distractions can cause you to lose control.*

2) ELECTRICAL SAFETY

- a) Power tool plugs must match the outlet. Never modify the plug in any way. Do not use any adapter plugs with earthed (grounded) power tools.** *Unmodified plugs and matching outlets will reduce risk of electric shock.*
- b) Avoid body contact with earthed or grounded surfaces such as pipes, radiators, ranges and refrigerators.** *There is an increased risk of electric shock if your body is earthed or grounded.*
- c) Do not expose power tools to rain or wet conditions.** *Water entering a power tool will increase the risk of electric shock.*
- d) Do not abuse the cord. Never use the cord for carrying, pulling or unplugging the power tool. Keep cord away from heat, oil, sharp**

edges or moving parts. Damaged or entangled cords increase the risk of electric shock.

- e) When operating a power tool outdoors, use an extension cord suitable for outdoor use.** *Use of a cord suitable for outdoor use reduces the risk of electric shock.*
- f) If operating a power tool in a damp location is unavoidable, use a ground fault circuit interrupter (GFCI) protected supply.** *Use of a GFCI reduces the risk of electric shock.*

3) PERSONAL SAFETY

- a) Stay alert, watch what you are doing and use common sense when operating a power tool. Do not use a power tool while you are tired or under the influence of drugs, alcohol or medication.** *A moment of inattention while operating power tools may result in serious personal injury.*
- b) Use personal protective equipment. Always wear eye protection.** *Protective equipment such as dust mask, nonskid safety shoes, hard hat, or hearing protection used for appropriate conditions will reduce personal injuries.*
- c) Prevent unintentional starting. Ensure the switch is in the off position before connecting to power source and/ or battery pack, picking up or carrying the tool. Carrying power tools with your finger on the switch or energizing power tools that have the switch on invites accidents.**
- d) Remove any adjusting key or wrench before turning the power tool on.** *A wrench or a key left attached to a rotating part of the power tool may result in personal injury.*
- e) Do not overreach. Keep proper footing and balance at all times.** *This enables better control of the power tool in unexpected situations.*
- f) Dress properly. Do not wear loose**

clothing or jewelry. Keep your hair, clothing and gloves away from moving parts. *Loose clothes, jewelry or long hair can be caught in moving parts.*

- g) If devices are provided for the connection of dust extraction and collection facilities, ensure these are connected and properly used.** *Use of dust collection can reduce dust-related hazards.*
- 4) POWER TOOL USE AND CARE**
- a) Do not force the power tool. Use the correct power tool for your application.** *The correct power tool will do the job better and safer at the rate for which it was designed.*
- b) Do not use the power tool if the switch does not turn it on and off.** *Any power tool that cannot be controlled with the switch is dangerous and must be repaired.*
- c) Disconnect the plug from the power source and/or the battery pack from the power tool before making any adjustments, changing accessories, or storing power tools.** *Such preventive safety measures reduce the risk of starting the power tool accidentally.*
- d) Store idle power tools out of the reach of children and do not allow persons unfamiliar with the power tool or these instructions to operate the power tool.** *Power tools are dangerous in the hands of untrained users.*
- e) Maintain power tools. Check for misalignment or binding of moving parts, breakage of parts and any other condition that may affect the power tool's operation. If damaged, have the power tool repaired before use.** *Many accidents are caused by poorly maintained power tools.*
- f) Keep cutting tools sharp and clean.** *Properly maintained cutting tools with sharp cutting edges are less likely to bind and are easier to control.*
- g) Use the power tool, accessories and tool bits, etc. in accordance with these instructions, taking into account the working conditions and the work to be performed.** *Use of the power tool for operations different from those intended could result in a hazardous situation.*
- 5) BATTERY TOOL USE AND CARE**
- a) Recharge only with the charger specified by the manufacturer.** A charger that is suitable for one type of battery pack may create a risk of fire when used with another battery pack.
- b) Use power tools only with**

specifically designated battery packs. Use of any other battery packs may create a risk of injury and fire.

- c) When battery pack is not in use, keep it away from other metal objects like paper clips, coins, keys, nails, screws, or other small metal objects that can make a connection from one terminal to another.** *Shorting the battery terminals together may cause burns or a fire.*
- d) Under abusive conditions, liquid may be ejected from the battery, avoid contact. If contact accidentally occurs, flush with water. If liquid contacts eyes, additionally seek medical help.** *Liquid ejected from the battery may cause irritation or burns.*
- 6) SERVICE**
- a) Have your power tool serviced by a qualified repair person using only identical replacement parts.** *This will ensure that the safety of the power tool is maintained.*

SPECIFIC SAFETY RULES

- Hold power tools by insulated gripping surfaces when performing an operation where the sanding pad may contact hidden wiring or its own cord. Contact with a "live" wire will make exposed metal parts of the tool "live" and shock the operator.

⚠WARNING: ALWAYS use safety glasses. Everyday eye glasses are NOT safety glasses. Also use face or dust mask if cutting operation is dusty. ALWAYS WEAR CERTIFIED SAFETY EQUIPMENT:

- ANSI Z87.1 eye protection (CAN/CSA Z94.3)
- ANSI S12.6 (S3.19) hearing protection
- NIOSH/OSHA/MSHA respiratory protection

⚠WARNING: Some dust created by power sanding, sawing, grinding, drilling, and other construction activities contains chemicals known to the State of California to cause cancer, birth defects or other reproductive harm. Some examples of these chemicals are:

- lead from lead-based paints,
- crystalline silica from bricks and cement and other masonry products, and
- arsenic and chromium from chemically-treated lumber.

Your risk from these exposures varies, depending on how often you do this type of work. To reduce your exposure to these chemicals: work in a well ventilated area, and work with approved safety equipment, such as those dust masks that are specially designed to filter out microscopic particles.

- **Avoid prolonged contact with dust from power sanding, sawing, grinding, drilling, and other construction activities. Wear protective clothing and wash exposed areas with soap**

and water. Allowing dust to get into your mouth, eyes, or lay on the skin may promote absorption of harmful chemicals.

⚠ WARNING: Use of this tool can generate and/or disperse dust, which may cause serious and permanent respiratory or other injury. Always use NIOSH/OSHA approved respiratory protection appropriate for the dust exposure. Direct particles away from face and body.

- **Sanding of lead-based paint is not recommended.** See **Sanding: Lead Based Paint** for additional information before sanding paint.
- Clean your tool out periodically.

Extension Cords

When using an extension cord, be sure to use one heavy enough to carry the current your product will draw. An undersized cord will cause a drop in line voltage resulting in loss of power and overheating. The following table shows the correct size to use depending on cord length and nameplate ampere rating. If in doubt, use the next heavier gauge. The smaller the gauge number, the heavier the cord.

SYMBOLS

The label on your tool may include the following symbols. The symbols and their definitions are as follows:

V.....	volts
A.....	amperes
Hz.....	hertz
W.....	watts
min.....	minutes
~ or AC.....	alternating current
== or DC...	direct current
n_o	no load speed
Ⓛ.....	Class I Construction (grounded)
Ⓧ.....	earthing terminal
⚠.....	safety alert symbol
Ⓜ.....	Class II Construction (double insulated)
.../min or rpm...	revolutions or reciprocation per minute
OPM.....	oscillations per minute
📖.....	Read instruction manual before use
👤.....	Use proper respiratory protection
👁.....	Use proper eye protection
👂.....	Use proper hearing protection

⚠ OTHER IMPORTANT SAFETY WARNINGS AND INSTRUCTIONS

LEAD BASED PAINT

Sanding of lead based paint is NOT RECOMMENDED due to the difficulty of controlling the contaminated dust. The

greatest danger of lead poisoning is to children and pregnant women. Since it is difficult to identify whether or not a paint contains lead without a chemical analysis, we recommend the following precautions when sanding any paint:

PERSONAL SAFETY

- No children or pregnant women should enter the work area where the paint sanding is being done until all clean up is completed.
- A dust mask or respirator should be worn by all persons entering the work area. The filter should be replaced daily or whenever the wearer has difficulty breathing.
- **NOTE:** Only those dust masks suitable for working with lead paint dust and fumes should be used. Ordinary painting masks do not offer this protection. See your local hardware dealer for the proper (NIOSH approved) mask.
- **NO EATING, DRINKING or SMOKING** should be done in the work area to prevent ingesting contaminated paint particles. Workers should wash and clean up BEFORE eating, drinking or smoking. Articles of food, drink, or smoking should not be left in the work area where dust would settle on them.

ENVIRONMENTAL SAFETY

- Paint should be removed in such a manner as to minimize the amount of dust generated.
- Areas where paint removal is occurring should be sealed with plastic sheeting of 4 mils thickness.
- Sanding should be done in a manner to reduce tracking of paint dust outside the work area.

CLEANING AND DISPOSAL

- All surfaces in the work area should be vacuumed and thoroughly cleaned daily for the duration of the sanding project. Vacuum filter bags should be changed frequently.
- Plastic drop cloths should be gathered up and disposed of along with any dust chips or other removal debris. They should be placed in sealed refuse receptacles and disposed of through regular trash pick-up procedures. During clean up, children and pregnant women should be kept away from the immediate work area.
- All toys, washable furniture and utensils used by children should be washed thoroughly before being used again.

IMPORTANT SAFETY INSTRUCTIONS FOR BATTERY CHARGERS

SAVE THESE INSTRUCTIONS: This manual contains important safety instructions for battery chargers.

- Before using charger, read all

instructions and cautionary markings on charger, battery pack, and product using battery pack.

⚠WARNING: SHOCK HAZARD. Disconnect the charger from the AC outlet before cleaning. Dirt and grease may be removed from the exterior of the charger using a cloth or soft non-metallic brush. Do not use water or any cleaning solutions.

⚠WARNING: SHOCK HAZARD. Do not allow any liquid to get inside the charger. Electric shock may result.

⚠WARNING: BURN HAZARD. Do not submerge the battery pack in any liquid or allow any liquid to enter the battery pack. Never attempt to open the battery pack for any reason. If the plastic housing of the battery pack breaks or cracks, return to a service center for recycling.

⚠CAUTION: BURN HAZARD. To reduce the risk of injury, charge only BLACK+DECKER rechargeable battery packs. Other types of batteries may overheat and burst resulting in personal injury and property damage.

⚠CAUTION: Under certain conditions, with the charger plugged into the power supply, the charger can be shorted by foreign material.

⚠WARNING:

- **DO NOT attempt to charge the battery pack with any chargers other than those specified by the manufacturer.** *The charger and battery pack are specifically designed to work together.*
- **These chargers are not intended for any uses other than charging designated BLACK+DECKER rechargeable batteries.** *Any other uses may result in risk of fire, electric shock or electrocution.*
- **Do not expose charger to rain or snow.**
- **Pull by plug rather than cord when disconnecting charger.** *This will reduce risk of damage to electric plug and cord.*
- **Make sure that cord is located so that it will not be stepped on, tripped over, or otherwise subjected to damage or stress.**
- **When operating a charger outdoors, always provide a dry location.**
- **If use of an extension cord is absolutely necessary outdoors, use an extension cord suitable for outdoor use.** *Use of a cord suitable for outdoor use reduces the risk of electric shock.*
- **An extension cord must have adequate wire size (AWG or American Wire Gauge) for safety.** *The smaller the gauge number of the wire, the greater the capacity of the cable, that is 16 gauge has more capacity than 18 gauge. When using more than one extension to make up the total length, be sure each*

individual extension contains at least the minimum wire size.

Recommended Minimum Wire Size for Extension Cords

Volts	Minimum Gauge for Cord Sets			
	Total Length of Cord in Feet			
120V	0-25 (0-7.6m)	26-50 (7.6-15.2m)	51-100 (15.2-30.4m)	101-150 (30.4-45.7m)
Ampere Rating		American Wire Gauge		
More Than		More Than		
0	-6	18	16	16 14
6	-10	18	16	14 12
10	-12	16	16	14 12
12	-16	14	12	Not Recommended

- **Do not place any object on top of charger or place the charger on a soft surface that might block the ventilation slots and result in excessive internal heat. Place the charger in a position away from any heat source.** *The charger is ventilated through slots in the top and the bottom of the housing.*
- **Do not mount charger on wall or permanently affix charger to any surface.** *The charger is intended to use on a flat, stable surface (i.e., table top, bench top).*
- **Do not operate charger with damaged cord or plug — have them replaced immediately.**
- **Do not operate charger if it has received a sharp blow, been dropped, or otherwise damaged in any way.** *Take it to an authorized service center.*
- **Do not disassemble charger;** *take it to an authorized service center when service or repair is required. Incorrect reassembly may result in a risk of electric shock, electrocution or fire.*
- **Disconnect the charger from the outlet before attempting any cleaning.** *This will reduce the risk of electric shock. Removing the battery pack will not reduce this risk.*
- **NEVER attempt to connect 2 chargers together.**
- **The charger is designed to operate on standard household electrical power (120 Volts). Do not attempt to use it on any other voltage.**

IMPORTANT SAFETY INSTRUCTIONS FOR BATTERY PACKS

⚠WARNING: WARNING: READ ALL SAFETY WARNINGS and all instructions for the battery pack, charger and power tool. *Failure to follow the warnings and instructions may result in electric shock, fire and/or serious injury.*

The battery pack is not fully charged out of the carton. Before using the battery pack and charger, read the safety instructions below. Then follow charging procedures outlined.

READ ALL INSTRUCTIONS

- **NEVER** force the battery pack into the charger. **DO NOT** modify the battery pack in any way to fit into a non-compatible charger as battery pack may rupture causing serious personal injury. Consult the chart at the end of this manual for compatibility of batteries and chargers.
- Do not incinerate the battery pack even if it is severely damaged or is completely worn out. The battery pack can explode in a fire. Toxic fumes and materials are created when battery packs are burned.
- Do not charge or use battery in explosive atmospheres, such as in the presence of flammable liquids, gases or dust. Inserting or removing the battery from the charger may ignite the dust or fumes.
- If battery contents come into contact with the skin, immediately wash area with mild soap and water. If battery liquid gets into the eye, rinse water over the open eye for 15 minutes or until irritation ceases. If medical attention is needed, the battery electrolyte for Li-ion batteries is composed of a mixture of liquid organic carbonates and lithium salts.
- Contents of opened battery cells may cause respiratory irritation. Provide fresh air. If symptoms persist, seek medical attention.
- Do not dispose of the battery in a fire. The cell may explode. Check with local codes for possible special disposal instructions.
- Do not open or mutilate the battery. Released electrolyte is corrosive and may cause damage to the eyes or skin. It may be toxic if swallowed.

⚠WARNING: BURN HAZARD. BATTERY LIQUID MAY BE FLAMMABLE IF EXPOSED TO SPARK OR FLAME.

- Charge the battery packs only in BLACK+DECKER chargers.
- **DO NOT splash or immerse in water or other liquids.** This may cause premature cell failure.
- Do not store or use the appliance and battery pack in locations where the temperature may reach or exceed 105°F (40°C) (such as outside sheds or metal buildings in summer).

⚠WARNING: NEVER ATTEMPT TO OPEN THE BATTERY PACK FOR ANY REASON. IF BATTERY PACK CASE IS CRACKED OR DAMAGED, DO NOT INSERT INTO CHARGER. DO NOT CRUSH, DROP OR DAMAGE BATTERY PACK. DO NOT USE A BATTERY PACK OR CHARGER THAT HAS RECEIVED A SHARP BLOW, BEEN DROPPED, RUN OVER OR DAMAGED IN ANY WAY (I.E., PIERCED WITH A NAIL, HIT WITH A HAMMER, STEPPED ON). DAMAGED BATTERY PACKS SHOULD BE RETURNED TO SERVICE CENTER FOR RECYCLING.

⚠WARNING: FIRE HAZARD. DO NOT STORE

OR CARRY BATTERY SO THAT METAL OBJECTS CAN CONTACT EXPOSED BATTERY TERMINALS. FOR EXAMPLE, DO NOT PLACE BATTERY IN APRONS, POCKETS, APPLIANCE BOXES, PRODUCT KIT BOXES, DRAWERS, ETC., WITH LOOSE NAILS, SCREWS, KEYS, ETC. TRANSPORTING BATTERIES CAN POSSIBLY CAUSE FIRES IF THE BATTERY TERMINALS INADVERTENTLY COME IN CONTACT WITH CONDUCTIVE MATERIALS SUCH AS KEYS, COINS, HAND APPLIANCES AND THE LIKE. THE US DEPARTMENT OF TRANSPORTATION HAZARDOUS MATERIAL REGULATIONS (HMR) ACTUALLY PROHIBIT TRANSPORTING BATTERIES IN COMMERCE OR ON AIRPLANES (I.E., PACKED IN SUITCASES AND CARRY-ON LUGGAGE) UNLESS THEY ARE PROPERLY PROTECTED FROM SHORT CIRCUITS. SO WHEN TRANSPORTING INDIVIDUAL BATTERIES, MAKE SURE THAT THE BATTERY TERMINALS ARE PROTECTED AND WELL INSULATED FROM MATERIALS THAT COULD CONTACT THEM AND CAUSE A SHORT CIRCUIT. NOTE: BATTERIES SHOULD NOT BE PUT IN CHECKED BAGGAGE.

IMPORTANT CHARGING NOTES

1. Longest life and best performance can be obtained if the battery pack is charged when the air temperature is between 65°F and 75°F (18° - 24°C). DO NOT charge the battery pack in an air temperature below +40°F (+4.5°C), or above +105°F (+40.5°C). This is important and will prevent serious damage to the battery pack.
2. The charger and battery pack may become warm to touch while charging. This is a normal condition, and does not indicate a problem. To facilitate the cooling of the battery pack after use, avoid placing the charger or battery pack in a warm environment such as in a metal shed, or an uninsulated trailer.
3. If the battery pack does not charge properly:
 - a. Check current at receptacle by plugging in a lamp or other appliance.
 - b. Check to see if receptacle is connected to a light switch which turns power off when you turn out the lights.
 - c. Move charger and battery pack to a location where the surrounding air temperature is approximately 65°F - 75°F (18° - 24°C).
 - d. If charging problems persist, take the tool, battery pack and charger to your local service center.
4. The battery pack should be recharged when it fails to produce sufficient power on jobs which were easily done previously. **DO NOT CONTINUE** to use under these conditions. Follow the charging procedure. You may also charge a partially used pack whenever you desire with no adverse affect on the battery pack.
5. Foreign materials of a conductive nature such as, but not limited to, steel wool, aluminum foil, or any buildup of metallic particles should be kept away from charger cavities. Always unplug the charger from the power supply when there

is no battery pack in the cavity. Unplug charger before attempting to clean.

6. Do not freeze or immerse charger in water or any other liquid.

⚠ WARNING: Shock hazard. Do not allow any liquid to get inside charger. **Never attempt to open the battery pack for any reason. If the plastic housing of the battery pack breaks or cracks, return to a service center for recycling.**

STORAGE RECOMMENDATIONS

1. The best storage place is one that is cool and dry away from direct sunlight and excess heat or cold.

2. For long storage, it is recommended to store a fully charged battery pack in a cool dry place out of the charger for optimal results.

NOTE: Do not store the battery packs in a tool with the trigger switch locked on. Never tape the trigger switch in the ON position.

NOTE: Battery packs should not be stored completely depleted of charge. The battery pack will need to be recharged before use.

CHARGING PROCEDURE

BLACK+DECKER chargers are designed to charge BLACK+DECKER battery packs.

NOTE: To ensure maximum performance and life of lithium ion BATTERY PACKS:

- Charge the battery pack fully before first use.
- Recharge discharged batteries as soon as possible after every use.
- Do not discharge batteries fully.
 1. Plug the charger into an appropriate outlet before inserting the battery pack.
 2. Insert the battery pack into the charger.
 3. The green LED will flash indicating that the battery is being charged.
 4. The completion of charge is indicated by the green LED remaining on continuously. The pack is fully charged and may be used at this time or left on the charger.

LEAVING THE BATTERY IN THE CHARGER

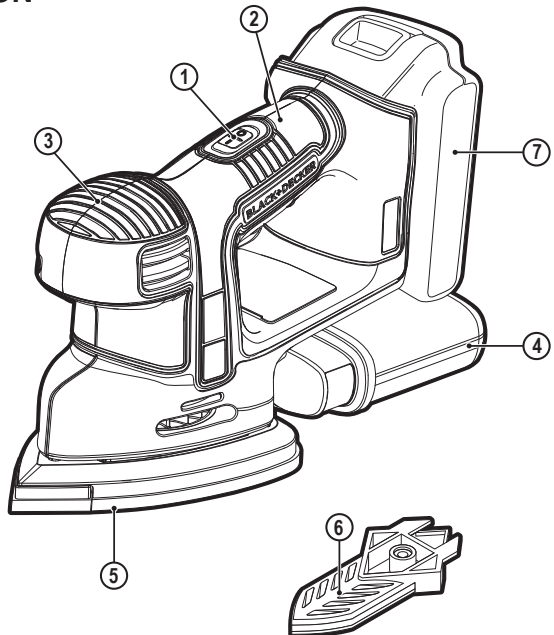
The charger and battery pack can be left connected with the green LED glowing indefinitely. The charger will keep the battery pack fresh and fully charged.

These products use the batteries and chargers listed in the chart below.

Description	Catalog #
20v Max** Lithium-Ion Battery:	LBXR20
20v Max** Lithium-Ion Battery:	LBXR20BT
20v Max** Type 1 22wh Lithium-Ion Battery:	LB20
Lithium 2 Amp Fast Charger:	L2AFC
Lithium 2 Amp Fast Charger:	L2AFCBST
20v Max** Lithium-Ion Battery Charger:	LCS20
20v Max** Lithium-Ion Battery Charger:	LCS201
20v Max** Lithium-Ion Battery Charger:	LCS1620
20v Max** Lithium-Ion Battery Charger:	LCS200

FUNCTIONAL DESCRIPTION

1. On/off switch
2. Back handle
3. Front handle
4. Dust collection canister
5. Sanding base
6. Finger attachment
7. Battery



Tools required: PH1 Phillips screwdriver

INTENDED USE

Your BLACK+DECKER BDCMS20 sander has been designed for sanding wood, metal, plastics and painted surfaces. This tool is intended for consumer use only.

OPERATING INSTRUCTIONS

⚠ WARNING: To reduce the risk of serious personal injury, read and follow all important safety warnings and instructions prior to using this tool.

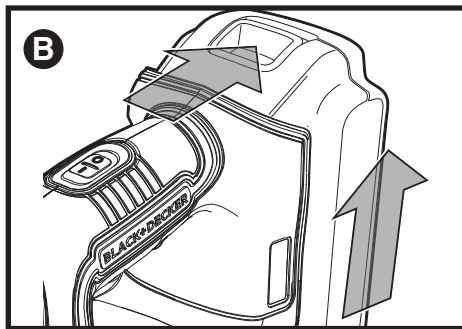
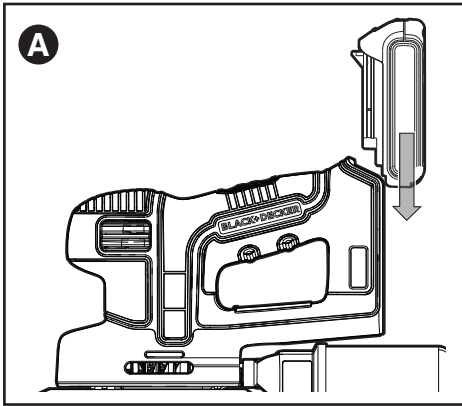
INSTALLING AND REMOVING THE BATTERY PACK FROM THE TOOL

⚠ CAUTION: Make certain the switch is off prior to installing or removing the battery pack.

TO INSTALL BATTERY PACK:

Insert battery pack (7) into tool until fully seated and an audible click is heard (**figure A**). Make sure battery pack is fully seated and fully latched into position.

TO REMOVE BATTERY PACK: Depress the battery release button in the back of the battery pack and pull battery pack out of tool (**figure B**).



OPERATION

NOTE: Do not rest fingers on platen during use. Move the sander in long sweeping strokes across the surface, letting the

tool do the work. Light pressure is all that is required for sanding, polishing or scrubbing. Excessive pressure will slow the tool and produce inferior results. Check your work often, product is capable of removing material rapidly.

⚠ WARNING: Shock hazard. Under no circumstances should this product be used near water.

⚠ CAUTION: To reduce the risk of injury, turn off and remove the battery from the tool before making any adjustments or removing or installing attachments or accessories.

SWITCHING ON AND OFF

- To switch the tool "ON", depress the on/off switch (1) at the forward position **I**.
- To switch the tool "OFF", depress the on/off switch (1) at the back position **O**.

FITTING SANDING SHEET (FIG. C)

- Hold the tool with the sanding base facing upwards.
- Place the sanding sheet (8) onto the sanding base, making sure that the holes in the sheet line up with the holes in the base.

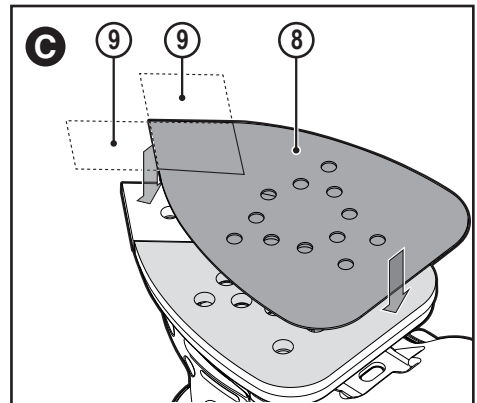
FITTING SANDING TIPS (FIG. C)

- Detach the two additional diamond-shaped tips (9) from the sanding sheet (8).

NOTE: The diamond-shaped tip (10) can be reversed and replaced when worn.

- When the front part of the tip (9) is worn, detach it from the sheet, reverse it and press it onto the sanding base again.
- When the whole tip is worn, remove it from the sanding base and fit a new tip.

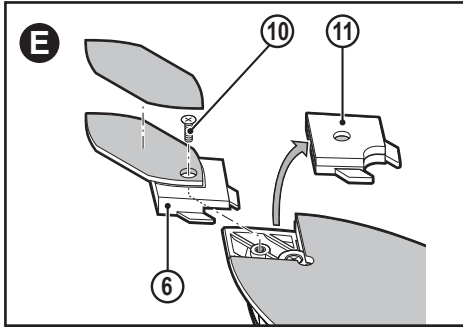
NOTE: For optimal dust collection, ensure the correct type of sanding paper is used.



FINGER ATTACHMENT (FIG. D - OPTIONAL ACCESSORY)

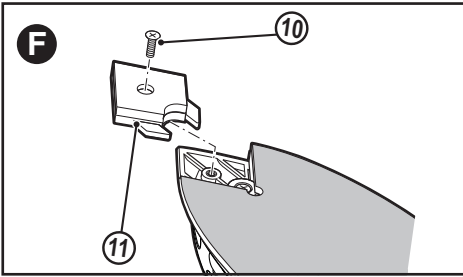
The finger attachment is used for fine detail sanding.

- Remove the screw (10).
- Remove the diamond-shaped pad tip (11) from the base.
- Fit the finger attachment (6) onto the sanding base as shown in **Figure E**.
- Fit and tighten the screw.
- Align the appropriate sanding sheet with the finger attachment.



REPLACING DIAMOND SHAPED TIP (FIG. F)

- Replace the diamond shaped tip (11).
- Replace and tighten screw (10).



FITTING AND REMOVING THE DUST CANISTER (FIG. G)

⚠ CAUTION: To reduce the risk of injury, turn off and remove the battery from the tool before making any adjustments or removing or installing attachments or accessories.

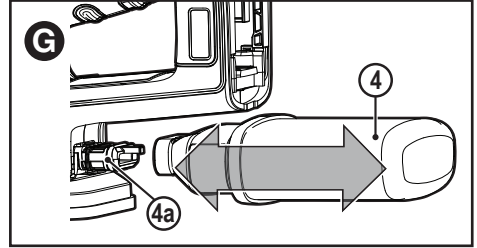
⚠ CAUTION: Respiratory hazard. Never operate this tool for wood sanding unless the dust canister is in place. Sanding dust exhaust may create a breathing hazard.

⚠ WARNING: Fire hazard. Collected sanding dust from sanding surface coatings (polyurethane, linseed oil, etc.) can self-ignite in sander dust canister or elsewhere and cause fire. To reduce risk, empty canister frequently and strictly follow sander manual

and coating manufacturer's instructions.

⚠ WARNING: Fire hazard. When working on metal surfaces, do not use the dust canister or a vacuum cleaner because sparks are generated. Wear safety glasses and a dust mask. Due to the danger of fire, do not use your sander to sand magnesium surfaces. Do not use for wet sanding.

- The dust collection canister (4) should be emptied after every 10 minutes of sanding.
- Slide the dust canister (4) onto the connector (4a) and make sure that it is securely located.
- To remove the dust canister, pull it to the rear and away from the rear end of the tool.



HINTS FOR OPTIMUM USE

⚠ WARNING: Let the tool work at its own pace. Do not overload.


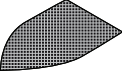
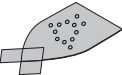
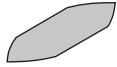
- Do not place your hands over the ventilation slots.
- Do not exert too much pressure on the tool.
- Regularly check the condition of the sanding sheet. Replace when necessary.
- Always sand with the grain of the wood.
- When sanding new layers of paint before applying another layer, use extra fine grit.
- On very uneven surfaces, or when removing layers of paint, start with a coarse grit. On other surfaces, start with a medium grit. In both cases, gradually change to a fine grit for a smooth finish.
- When sanding on a vertical surface, hold the back handle (2) for better grip and control.

ACCESSORIES

A variety of Mouse® accessories are available at extra cost. Listings per retailer may vary. Note: Use only sandpaper with holes in the same configuration as on the base of the sander. Sandpaper without holes will not allow dust to enter the canister.

The hook and loop pad and individual bases are replaceable parts. If they become worn, contact your local service center. For more information call: 1-800-544-6986.

⚠ WARNING: The use of any accessory not recommended for use with this tool could be hazardous.

Item	Description
	Detail finger. For small hard-to-reach areas. The detail finger can be used for light sanding and for sanding into corners. (Part Number - X32214-XJ)
	240 grit sanding mesh. For a fine finish for large detail sanding. (Part Number - X39132-XJ) 120 grit sanding mesh. For a medium finish for large detail sanding. (Part Number - X39127-XJ) 80 grit sanding mesh. For a coarse finish for large detail sanding. (Part Number - X39122-XJ)
	240 grit large detail sanding sheet with two replacement tips. For a fine finish for large detail sanding. (Part Number - X31019-XJ) 120 grit large detail sanding sheet with two replacement tips. For a medium finish for large detail sanding. (Part Number - X31009-XJ) 60 grit large detail sanding sheet with two replacement tips. For a coarse finish for large detail sanding. (Part Number - X31039-XJ)
	120 grit detailed finger sanding sheet. For a medium finish for detailed sanding. (Part Number - X3272-XJ)

cadmium, nickel metal hydride or lithium-ion batteries to an authorized BLACK+DECKER service center or to your local retailer for recycling. You may also contact your local recycling center for information on where to drop off the spent battery. RBRC® is a registered trademark of Call 2 Recycle, Inc. This Class B digital apparatus complies with Canadian ICES-003. This device complies with part 15 of the FCC rules. Operation is subject to the following two conditions: (1) This device may not cause harmful interference, and (2) this device must accept any interference received, including interference that may cause undesired operation. NOTE: This equipment has been tested and found to comply with the limits for a Class B digital device, pursuant to Part 15 of the FCC Rules. These limits are designed to provide reasonable protection against harmful interference in a residential installation. This equipment generates, uses and can radiate radio frequency energy and, if not installed and used in accordance with the instructions, may cause harmful interference to radio communications. However, there is no guarantee that interference will not occur in a particular installation. If this equipment does cause harmful interference to radio or television reception, which can be determined by turning the equipment off and on, the user is encouraged to try to correct the interference by one or more of the following measures:

- Reorient or relocate the receiving antenna.
- Increase the separation between the equipment and receiver.
- Connect the equipment into an outlet on a circuit different from that to which the receiver is connected.
- Consult the dealer or an experienced radio/TV technician for help.

Changes or modifications to this unit not expressly approved by the party responsible for compliance could void the user's authority to operate the equipment. This Class B digital apparatus complies with Canadian ICES-003.

MAINTENANCE

Use only mild soap and damp cloth to clean the tool. Never let any liquid get inside the tool; never immerse any part of the tool into a liquid.

IMPORTANT: To assure product SAFETY and RELIABILITY, repairs, maintenance and adjustment should be performed by authorized service centers or other qualified service organizations, always using identical replacement parts.

The RBRC® Seal

The RBRC® (Rechargeable Battery Recycling Corporation) Seal on the nickel cadmium, nickel metal hydride or lithium-ion batteries (or battery packs) indicates that the costs to recycle these batteries (or battery packs) at the end of their useful life have already been paid by BLACK+DECKER. In some areas, it is illegal to place spent nickel cadmium, nickel metal hydride or lithium-ion batteries in the trash or municipal solid waste stream and the Call 2 Recycle® program provides an environmentally conscious alternative. Call 2 Recycle, Inc., in cooperation with BLACK+DECKER and other battery users, has established the program in the United States and Canada to facilitate the collection of spent nickel cadmium, nickel metal hydride or lithium-ion batteries. Help protect our environment and conserve natural resources by returning the spent nickel



SERVICE INFORMATION

All BLACK+DECKER Service Centers are staffed with trained personnel to provide customers with efficient and reliable power tool service. Whether you need technical advice, repair, or genuine factory replacement parts, contact the BLACK+DECKER location nearest you. To find your local service location, call: **1-800-544-6986** or visit **www.blackanddecker.com**

TWO-YEAR LIMITED WARRANTY

Black & Decker (U.S.) Inc. warranties this product to be free from defects in material or workmanship for a period of two (2) years following the date of purchase, provided that the product is used in a home environment. This limited warranty does not cover failures due to abuse, accidental damage or when repairs have been made or attempted by anyone other than Black+Decker and its Authorized Service Centers. A defective product meeting the warranty conditions set forth herein will be replaced or repaired at no charge in either of two ways:

The first, which will result in exchanges only, is to return the product to the retailer from whom it was purchased (provided that the store is a participating retailer). Returns should be made within the time period of the retailer's policy for exchanges. Proof of purchase

TROUBLESHOOTING

PROBLEM

- Unit will not start.
- Battery will not charge.

POSSIBLE CAUSE

- Battery not installed properly.
- Battery not charged.
- Battery not inserted into charger.
- Charger not plugged in.
- Surrounding air temperature too hot or too cold.
- Sandpaper holes do not align.
- Dust canister is full.

POSSIBLE SOLUTION

- Check battery installation.
- Check battery charging requirements.
- Insert battery into charger until green LED appears.
- Plug charger into a working outlet. Refer to "Important Charging Notes" for more details.
- Check current at receptacle by plugging in a lamp or other appliance.
- Check to see if receptacle is connected to a light switch which turns power off when you turn out the lights.
- Move charger and tool to a surrounding air temperature of above 40 degree F (4.5°C) or below 105 degree F (+40.5°C).
- Use Mouse[®] sandpaper with the appropriate hole configuration.
- Separate dust canister and gently shake or tap to empty.

For assistance with your product, visit our website www.blackanddecker.com for the location of the service center nearest you or call the BLACK+DECKER help line at **1-800-544-6986**.

Application / Accessory Matrix

ACCESSORY

MEDIUM GRIT SANDPAPER
 FINE GRIT SANDPAPER
 EXTRA FINE GRIT SANDPAPER
 DETAIL SANDING TIPS
 1 OT POLISHING / STRIPPING WOOL
 4 OT FINE POLISHING WOOL
 GREY FOAM PAD
 WHITE NON-WOVEN PAD
 RED NON-WOVEN PAD

RECOMMENDED APPLICATIONS / USES

PAINT, VARNISH, RUST REMOVAL
 SURFACE BLENDING AND FINISHING
 SANDING BETWEEN COATS OF PAINT OR VARNISH
 CORNERS / HARD TO REACH PLACES
 POLISHING METALS / STRIPPING VARNISH OR URETHANE
 FINE POLISHING, SATIN FINISH ON PAINT / VARNISH / URETHANE
 APPLYING AND REMOVING POLISH
 LIGHT SCRUBBING
 HEAVY SCRUBBING / RUST REMOVAL

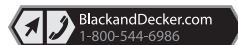
The pads described above may be available in kits where Mouse[®] products are sold. For more information call 1-800-544-6986.

may be required. Please check with the retailer for its specific return policy regarding time limits for returns or exchanges. The second option is to take or send the product (prepaid) to a Black+Decker owned or authorized Service Center for repair or replacement at Black+Decker's option. Proof of purchase may be required. Black+Decker owned and authorized service centers are listed online at www.blackanddecker.com. This warranty does not apply to accessories. This warranty gives you specific legal rights and you may have other rights which vary from state to state. Should you have any questions, contact the manager of your nearest Black+Decker Service Center. This product is not intended for commercial use, and accordingly, such commercial use of this product will void this warranty. All other guarantees, express or implied, are hereby disclaimed.

LATIN AMERICA: This warranty does not apply to

products sold in Latin America. For products sold in Latin America, check country specific warranty information contained in the packaging, call the local company or see the website for such information.

Imported by
 Black & Decker (U.S.) Inc.,
 701 E. Joppa Rd.
 Towson, MD 21286 U.S.A.



BLACK+ DECKER™

PONCEUSE MOUSE 20 V MAX*

MODE D'EMPLOI

NUMERO DE CATALOGUE

BDCMS20

Merci d'avoir choisi BLACK+DECKER! Consulter le site Web www.BlackandDecker.com/NewOwner pour enregistrer votre nouveau produit. **À LIRE AVANT DE RETOURNER CE PRODUIT POUR QUELQUE RAISON QUE CE SOIT :**

Si des questions ou des problèmes surgissent après l'achat d'un produit BLACK+DECKER, consulter le site Web www.blackanddecker.com/instantanswers pour obtenir des réponses instantanément 24 heures par jour. Si la réponse est introuvable ou en l'absence d'accès à l'Internet, composer le 1 800 544-6986 de 8 h à 17 h HNE, du lundi au vendredi, pour parler avec un agent. Prière d'avoir le numéro de catalogue sous la main lors de l'appel.

CONSERVER CE MODE D'EMPLOI POUR UN USAGE ULTÉRIEUR.

*La tension initiale maximum du bloc-piles (mesurée à vide) est de 20 volts. La tension nominale est de 18.

IMPORTANTES RENSEIGNEMENTS :

- Ne pas appuyer trop fort sur l'outil; laisser ce dernier faire le travail.
- Il est déconseillé d'utiliser cet outil pour poncer des cloisons sèches pendant de longues périodes.

Définitions : Symboles et termes d'alarmes sécurité

Ce guide d'utilisation utilise les symboles et termes d'alarmes sécurité suivants pour vous prévenir de situations dangereuses et de risques de dommages corporels ou matériels.

⚠ DANGER : Indique une situation dangereuse imminente qui, si elle n'est pas évitée, causera la mort ou des graves blessures.

⚠ AVERTISSEMENT : Indique une situation potentiellement dangereuse qui, si elle n'est pas évitée, pourrait causer la mort ou de graves blessures.

⚠ MISE EN GARDE : Indique une situation potentiellement dangereuse qui, si elle n'est pas évitée, pourrait causer des blessures mineures ou modérées.

AVIS : Utilisé sans le symbole d'alerte à la sécurité, indique une situation potentiellement dangereuse qui, si elle n'est pas évitée, peut résulter en des dommages à la propriété.

Avertissements de sécurité généraux pour les outils électriques

⚠AVERTISSEMENT! Lire tous les avertissements de sécurité et toutes les directives. Le non-respect des avertissements et des directives pourrait se solder par un choc électrique, un incendie et/ou une blessure grave.

Conserver tous les avertissements et toutes les directives pour un usage ultérieur.

Le terme «outil électrique» cité dans les avertissements se rapporte à votre outil électrique à alimentation sur secteur (avec fil) ou par piles (sans fil).

1) Sécurité du lieu de travail

a) Tenir la zone de travail propre et bien éclairée. *Les endroits sombres sont souvent des causes d'accidents.*

b) Ne pas faire fonctionner d'outils électriques dans un milieu déflagrant, soit en présence de liquides inflammables, de gaz ou de poussière. *Les outils électriques produisent des étincelles qui peuvent enflammer la poussière ou les vapeurs.*

c) Eloigner les enfants et les curieux au moment d'utiliser un outil électrique. *Une distraction pourrait vous en faire perdre la maîtrise.*

2) Sécurité en matière d'électricité

a) Les fiches des outils électriques doivent correspondre à la prise. Ne jamais modifier la fiche en aucune façon. *Ne jamais utiliser de fiche d'adaptation avec un outil électrique mis à la terre. Le risque de choc électrique sera réduit par l'utilisation de fiches non modifiées correspondant à la prise.*

b) Éviter tout contact physique avec des surfaces mises à la terre comme des tuyaux, des radiateurs, des cuisinières et des réfrigérateurs. *Le risque de choc électrique est plus élevé si votre corps est mis à la terre.*

c) Ne pas exposer les outils électriques à la pluie ou à d'autres conditions où il pourrait être mouillé. *La pénétration de l'eau dans un outil électrique augmente le risque de choc électrique.*

d) Ne pas utiliser abusivement le cordon d'alimentation. Ne jamais utiliser le cordon pour transporter, tirer ou débrancher un outil électrique. Tenir le cordon éloigné de la chaleur, de l'huile, des bords

tranchants ou des pièces mobiles. *Les cordons endommagés ou emmêlés augmentent les risques de choc électrique.*

e) Pour l'utilisation d'un outil électrique à l'extérieur, se servir d'une rallonge convenant à une telle utilisation. *L'utilisation d'une rallonge conçue pour l'extérieur réduit les risques de choc électrique.*

f) S'il est impossible d'éviter l'utilisation d'un outil électrique dans un endroit humide, brancher l'outil dans une prise ou sur un circuit d'alimentation dotés d'un disjoncteur de fuite à la terre (GFCI). *L'utilisation de ce type de disjoncteur réduit les risques de choc électrique.*

3) Sécurité personnelle

a) Être vigilant, surveiller le travail effectué et faire preuve de jugement lorsqu'un outil électrique est utilisé. Ne pas utiliser d'outil électrique en cas de fatigue ou sous l'influence de drogues, d'alcool ou de médicaments. *Un simple moment d'inattention en utilisant un outil électrique peut entraîner des blessures corporelles graves.*

b) Utiliser des équipements de protection individuelle. Toujours porter une protection oculaire. *L'utilisation d'équipements de protection comme un masque antipoussière, des chaussures antidérapantes, un casque de sécurité ou des protecteurs auditifs lorsque la situation le requiert réduira les risques de blessures corporelles.*

c) Empêcher les démarrages intempestifs. S'assurer que l'interrupteur se trouve à la position d'arrêt avant de relier l'outil à une source d'alimentation et/ou d'insérer un bloc-piles, de ramasser ou de transporter l'outil. *Transporter un outil électrique alors que le doigt repose sur l'interrupteur ou brancher un outil électrique dont l'interrupteur est à la position de marche risque de provoquer un accident.*

d) Retirer toute clé de réglage ou clé standard avant de démarrer l'outil. *Une clé standard ou une clé de réglage attachée à une partie pivotante peut causer des blessures.*

e) Ne pas trop tendre les bras. Conserver son équilibre en tout temps. *Cela permet de mieux maîtriser l'outil électrique dans les situations imprévues.*

f) S'habiller de manière appropriée. Ne pas porter de vêtements amples ni de bijoux. Garder les cheveux,

les vêtements et les gants à l'écart des pièces mobiles. *Les vêtements amples, les bijoux ou les cheveux longs risquent de rester coincés dans les pièces mobiles.*

- g) Si des composants sont fournis pour le raccordement de dispositifs de dépoussiérage et de ramassage, s'assurer que ceux-ci sont bien raccordés et utilisés.** *L'utilisation d'un dispositif de dépoussiérage peut réduire les dangers engendrés par les poussières.*
- 4) Utilisation et entretien d'un outil électrique**
- a) Ne pas forcer un outil électrique. Utiliser l'outil électrique approprié à l'application.** *L'outil électrique approprié effectuera un meilleur travail, de façon plus sûre et à la vitesse pour laquelle il a été conçu.*
- b) Ne pas utiliser un outil électrique dont l'interrupteur est défectueux.** *Tout outil électrique dont l'interrupteur est défectueux est dangereux et doit être réparé.*
- c) Débrancher la fiche du secteur ou le bloc-piles de l'outil électrique avant de faire tout réglage ou changement d'accessoire, ou avant de ranger l'outil électrique.** *Ces mesures préventives réduisent les risques de démarrage accidentel de l'outil électrique.*
- d) Ranger les outils électriques hors de la portée des enfants, et ne permettre à aucune personne n'étant pas familière avec un outil électrique (ou son manuel d'instruction) d'utiliser ce dernier.** *Les outils électriques deviennent dangereux entre les mains d'utilisateurs inexpérimentés.*
- e) Entretien des outils électriques. Vérifier les pièces mobiles pour s'assurer qu'elles sont bien alignées et tournent librement, qu'elles sont en bon état et ne sont affectées par aucun trouble susceptible de nuire au bon fonctionnement de l'outil électrique. En cas de dommage, faire réparer l'outil électrique avant toute nouvelle utilisation.** *Beaucoup d'accidents sont causés par des outils électriques mal entretenus.*
- f) S'assurer que les outils de coupe sont aiguisés et propres.** *Les outils de coupe bien entretenus et affûtés sont moins susceptibles de se coincer et sont plus faciles à contrôler.*
- g) Utiliser l'outil électrique, les accessoires, les forets, etc. conformément aux présentes**

directives en tenant compte des conditions de travail et du travail à effectuer. *L'utilisation d'un outil électrique pour toute opération autre que celle pour laquelle il a été conçu est dangereuse.*

- 5) Utilisation et entretien du bloc-piles**
- a) Ne recharger l'outil qu'au moyen du chargeur précisé par le fabricant.** *L'utilisation d'un chargeur qui convient à un type de bloc-piles risque de provoquer un incendie s'il est utilisé avec un autre type de bloc-piles.*
- b) Utiliser les outils électriques uniquement avec les blocs-piles conçus à cet effet.** *L'utilisation de tout autre bloc-piles risque de causer des blessures ou un incendie.*
- c) Lorsque le bloc-piles n'est pas utilisé, le tenir éloigné des objets métalliques, notamment des trombones, de la monnaie, des clés, des clous, des vis, etc., qui peuvent établir une connexion entre les deux bornes.** *Le court-circuit des bornes du bloc-piles risque de provoquer des étincelles, des brûlures ou un incendie.*
- d) En cas d'utilisation abusive, le liquide peut gicler hors du bloc-piles, éviter tout contact. Si un contact accidentel se produit, laver à grande eau. Si le liquide entre en contact avec les yeux, obtenir des soins médicaux.** *Le liquide qui giclé hors du bloc-piles peut provoquer des irritations ou des brûlures.*
- 6) Réparation**
- a) Faire réparer l'outil électrique par un réparateur professionnel en n'utilisant que des pièces de rechange identiques.** *Cela permettra de maintenir une utilisation sécuritaire de l'outil électrique.*

Consignes de sécurité particulières

- **Saisir l'outil électrique par ses surfaces de prises isolées lorsque l'outil peut entrer en contact avec des fils cachés ou son cordon.** En cas de contact avec un fil sous tension, les pièces métalliques de l'outil seront sous tension et l'utilisateur subira des secousses électriques.

⚠ AVERTISSEMENT : TOUJOURS porter des lunettes de sécurité. Les lunettes de vue ne constituent PAS des lunettes de sécurité. Utiliser également un masque facial ou anti-poussière si l'opération de découpe génère de la poussière.
TOUJOURS PORTER UN ÉQUIPEMENT DE PROTECTION HOMOLOGUÉ :

- protection oculaire conforme à la norme ANSI Z87.1 (CAN/CSA Z94.3);
- protection auditive ANSI S12.6 (S3.19);
- protection des voies respiratoires conformes aux normes NIOSH/OSHA/MSHA.

⚠ AVERTISSEMENT : certains outils électriques, tels que les sableuses, les scies, les meules, les perceuses ou certains autres outils de construction, peuvent produire de la poussière contenant des produits chimiques reconnus par l'État de la Californie comme étant susceptibles d'entraîner le cancer, des malformations congénitales ou pouvant être nocifs pour le système reproductif. Parmi ces produits chimiques, on retrouve :

- le plomb dans les peintures à base de plomb,
- la silice cristalline dans les briques et le ciment et autres produits de maçonnerie,
- l'arsenic et le chrome dans le bois de sciage ayant subi un traitement chimique.

Le risque associé à de telles expositions varie selon la fréquence avec laquelle on effectue ces travaux. Pour réduire l'exposition à de tels produits, il faut travailler dans un endroit bien aéré et utiliser le matériel de sécurité approprié, tel un masque anti-poussières spécialement conçu pour filtrer les particules microscopiques.

Éviter tout contact prolongé avec la poussière soulevée par cet outil ou autres outils électriques. Porter des vêtements de protection et nettoyer les parties exposées du corps à l'eau savonneuse. S'assurer de bien se protéger afin d'éviter d'absorber par la bouche, les yeux ou la peau des produits chimiques nocifs.

⚠ AVERTISSEMENT : Cet outil peut produire et répandre de la poussière susceptible de causer des dommages sérieux et permanents au système respiratoire. Toujours utiliser un appareil respiratoire anti-poussières approprié approuvé par le NIOSH ou l'OSHA. Diriger les particules dans le sens opposé du visage et du corps.

- **Le ponçage de peintures à base de plomb n'est pas recommandé.** Se reporter à la section **Mesures de précaution concernant le ponçage de peinture** Précautions à prendre pour poncer les peintures pour plus d'informations quant au ponçage des peintures.
- Nettoyer l'outil régulièrement.

SYMBOLES

L'étiquette apposée sur votre outil pourrait comprendre les symboles suivants et leurs définitions sont indiqués ci-après :

V	volts
A	ampères
Hz	hertz
W	watts
min.....	minutes
~	courant alternatif
==	courant continue
non.....	régime à vide
☐	Construction classe II
⊕	borne de terre
⚠	symbole d'alerte à la sécurité
..fminrpm.....	révolutions ou alternance par minute

OPM .. oscillations par minute

- 👉 Lire le mode d'emploi avant l'utilisation
- ☎ Utiliser une protection respiratoire adéquate.
- 👁 Utiliser une protection oculaire adéquate.
- 👂 Utiliser une protection auditive adéquate.

⚠ AUTRES MESURES DE SÉCURITÉ IMPORTANTES

Ponçage de peinture à base de plomb

IL N'EST PAS RECOMMANDÉ de poncer de la peinture à base de plomb puisqu'il est difficile d'en maîtriser la poussière contaminée. Ce genre de ponçage présente de sérieux risques d'empoisonnement au plomb pour les femmes enceintes et les enfants. Puisqu'il est difficile de déterminer si la peinture renferme du plomb sans en faire une analyse chimique, il est conseillé de se conformer aux mesures suivantes lors du ponçage de tout type de peinture.

Sécurité personnelle

- Ne laisser aucun enfant ni aucune femme enceinte entrer dans la pièce où il y a ponçage de peinture jusqu'à ce que la pièce soit nettoyée.
- Toute personne entrant dans la pièce de travail devrait porter un masque ou un respirateur. L'utilisateur devrait en remplacer le filtre chaque jour ou dès qu'il éprouve de la difficulté à respirer.
- **NOTE :** Il faut seulement utiliser des masques conçus pour le travail en présence de poussières ou de vapeurs de plomb. Les masques ordinaires ne sont pas conçus à cet effet. Consulter le quincaillier pour choisir le masque approprié.

- **IL EST DÉCONSEILLÉ DE MANGER, DE BOIRE ET DE FUMER** dans la pièce de travail afin de ne pas ingérer de particules contaminées. L'utilisateur doit se laver et se nettoyer AVANT de manger, de boire ou de fumer. Il ne faut pas laisser dans la pièce de travail de la nourriture, des boissons ou des cigarettes car de la poussière pourrait se déposer sur ces articles.

Protection de l'environnement

- Il faut enlever la peinture de manière à produire un minimum de poussière.
- Il faut sceller la zone de travail à l'aide de feuilles de plastique d'une épaisseur minimale de 4 mils.
- Il faut poncer de façon à réduire la propagation de la poussière hors de la pièce de travail.

Nettoyage et déchets

- Il faut bien aspirer toutes les surfaces de la pièce de travail et les nettoyer à fond chaque jour pendant la durée des travaux. Il faut remplacer fréquemment le filtre de l'aspirateur.
- Ramasser les feuilles de plastique et les jeter avec la poussière et les autres débris dans des contenants étanches à placer avec les ordures ménagères pour l'enlèvement. Tenir les enfants et les femmes enceintes à l'écart de la zone de travail pendant les travaux de nettoyage.
- Il faut nettoyer à fond les jouets, les meubles et les ustensiles des enfants avant de les utiliser de nouveau.

DIRECTIVES DE SÉCURITÉ IMPORTANTES PROPRES AUX CHARGEURS DE BLOCS-PILES

CONSERVER CES INSTRUCTIONS

Ce guide d'utilisation contient des directives de sécurité importantes propres aux chargeurs de piles.

- Avant d'utiliser le chargeur, lire toute consigne et tout avertissement apposés sur le chargeur, le bloc-piles et le produit utilisant le bloc-piles.

⚠ AVERTISSEMENT : risques de chocs électriques. Débrancher le chargeur de la prise de courant alternatif avant tout entretien. Éliminer toute saleté ou graisse de la surface externe du chargeur à l'aide d'un chiffon ou d'une brosse non métallique douce. N'utiliser ni eau ni aucun nettoyant liquide.

⚠ AVERTISSEMENT : risques de chocs électriques. Ne laisser aucun liquide pénétrer dans le chargeur, des chocs électriques pourraient en résulter.

⚠ AVERTISSEMENT : risques de brûlures. Ne submerger le bloc-piles dans aucun liquide et le protéger de toute

infiltration de liquide. Ne jamais tenter d'ouvrir le bloc-piles pour quelque raison que ce soit. Si le boîtier plastique du bloc-piles est brisé ou fissuré, le retourner dans un centre de réparation pour y être recyclé.

⚠ MISE EN GARDE : risques de brûlures. Pour réduire tout risque de dommages corporels, ne recharger que des blocs-piles rechargeables BLACK+DECKER. Tout autre type de bloc-piles pourrait surchauffer et éclater posant ainsi des risques de dommages corporels et matériels.

⚠ MISE EN GARDE : sous certaines conditions, lorsque le chargeur est branché au bloc d'alimentation, des matériaux étrangers pourraient court-circuiter le chargeur.

⚠ AVERTISSEMENT :

- **NE PAS tenter de recharger un bloc-piles avec des chargeurs autres que ceux recommandés par le fabricant.** Le chargeur et son bloc-piles ont été conçus tout spécialement pour fonctionner ensemble.
- **Ces chargeurs n'ont pas été conçus pour une utilisation autre que recharger les blocs-piles rechargeables Black+Decker.** Toute autre utilisation comporte des risques d'incendie, de chocs électriques ou d'électrocution.
- **Protéger le chargeur de la pluie ou de la neige.**
- **Tirer sur la fiche plutôt que sur le cordon pour débrancher le chargeur.** Cela permet de réduire les risques d'endommager la fiche ou le cordon d'alimentation.
- **S'assurer que le cordon est protégé de manière à ce que personne ne marche, ni ne trébuche dessus, ou à ce qu'il ne soit, ni endommagé, ni soumis à aucune tension.**
- **Pour utiliser un chargeur à l'extérieur, le placer systématiquement dans un endroit sec.**
- **Si l'utilisation d'une rallonge est absolument nécessaire à l'extérieur, utiliser une rallonge adéquate pour l'extérieur.** Utiliser un cordon adéquat pour l'extérieur réduit les risques de chocs électriques.
- **Pour la sécurité de l'utilisateur, utiliser une rallonge de calibre adéquat (AWG, American Wire Gauge [calibrage américain normalisé des fils électriques]).** Plus le calibre est petit, et plus sa capacité est grande. Un calibre 16, par exemple, a une capacité supérieure à un calibre 18. Lorsque

plusieurs rallonges sont nécessaires pour raccorder l'appareil, s'assurer que chaque rallonge présente au moins le calibre de fil minimum.

Calibre de fil minimum recommandé pour rallonges

Calibre minimal des cordons de rallonge					
Tension	Longueur totale du cordon en pieds				
120V	0-25	26-50	51-100	101-150	
	(0-7,6m)	(7,6-15,2m)	(15,2-30,4m)	(30,4-45,7m)	
240V	0-50	51-100	101-200	201-300	
	(0-15,2m)	(15,2-30,4m)	(30,4-60,9m)	(60,9-91,4m)	
Intensité (A)					
Au moins	Au plus	Calibre moyen des fils (AWG)			
0	6	18	16	16	14
6	10	18	16	14	12
10	12	16	16	14	12
12	16	14	12	Non recommandé	

- **Ne pas mettre d'objet sur le chargeur ni mettre ce dernier sur une surface souple, ce qui pourrait causer l'obstruction des fentes de ventilation et, du fait, provoquer une chaleur interne excessive. Éloigner le chargeur de toute source de chaleur.**
La ventilation du chargeur se fait par les fentes pratiquées dans les parties supérieures et inférieures du boîtier.
- **Ne pas installer le chargeur sur un mur ni le fixer de manière permanente sur toute surface.** *Le chargeur est destiné à une utilisation sur une surface plane et stable (c.-à-d. un dessus de table ou d'établi).*
- **Ne pas faire fonctionner le chargeur si la fiche ou le cordon est endommagé;** *les remplacer immédiatement.*
- **Ne jamais se servir d'un chargeur qui a subi un choc violent, qui est tombé par terre ou qui est endommagé de quelque manière que ce soit.** *Le faire vérifier dans un centre de réparation autorisé.*
- **Ne pas démonter le chargeur;** *confier l'entretien ou la réparation de l'appareil à un centre de réparation autorisé. Le remontage non conforme du chargeur comporte des risques de choc électrique, d'électrocution ou d'incendie.*
- **Débrancher le chargeur avant de le nettoyer.** *Cela réduira le risque de choc électrique. Le risque ne sera pas éliminé en enlevant simplement le bloc-piles.*
- **NE JAMAIS relier deux chargeurs ensemble.**
- **Le chargeur est conçu pour être alimenté en courant domestique standard (120 V). Ne pas utiliser une tension supérieure pour le chargeur**

CONSERVER CES DIRECTIVES CONSIGNES DE SÉCURITÉ IMPORTANTES PROPRES AUX BLOCS-PILES

⚠ AVERTISSEMENT :

AVERTISSEMENT : lire toutes les instructions et toutes les consignes de sécurité propres au bloc-piles, au chargeur et à l'outil électrique. Tout manquement aux directives et consignes pose des risques de décharge électrique, d'incendie et/ou de blessure grave. Le bloc-piles n'est pas totalement chargé d'usine. Avant d'utiliser le bloc-piles et le chargeur, lire les consignes de sécurité ci-dessous. Puis suivre la procédure de charge indiquée.

Lire toutes les directives

- **NE JAMAIS forcer un bloc-piles dans le chargeur. NE modifier un bloc-piles en AUCUNE FAÇON pour le faire rentrer dans un chargeur incompatible, car le bloc-piles pourrait éclater et causer des dommages corporels graves.**
Consulter le tableau en fin de manuel pour connaître les compatibilités entre chargeurs et blocs-piles.
- **Ne pas incinérer le bloc-piles, même s'il est très endommagé ou complètement usé, car il peut exploser au contact de flammes.** Des vapeurs et des matières toxiques sont dégagées lorsque les blocs-piles sont incinérés.
- **Ne pas charger ou utiliser un bloc-piles dans un milieu déflagrant, en présence de liquides, de gaz ou de poussière inflammables.** Insérer ou retirer un bloc-piles du chargeur peut enflammer de la poussière ou des émanations.
- **Si le contenu de la pile entre en contact avec la peau, laver immédiatement la zone touchée au savon doux et à l'eau.** Si le liquide de la pile entre en contact avec les yeux, rincer l'oeil ouvert à l'eau pendant 15 minutes ou jusqu'à ce que l'irritation cesse. Si des soins médicaux sont nécessaires, l'électrolyte des piles au Lithium-Ion est composé d'un mélange de carbonates organiques liquides et de sels de lithium.
- **Le contenu des cellules de pile ouvertes peut provoquer une irritation respiratoire. Exposer la personne à de l'air frais.** Si les symptômes persistent, obtenir des soins médicaux.

⚠ **AVERTISSEMENT : risque de brûlure. Le liquide du bloc-piles peut s'enflammer s'il est exposé à des étincelles ou à une flamme.**

- **Charger les blocs-piles uniquement au moyen de chargeurs BLACK+DECKER.**
- **NE PAS éclabousser le bloc-piles ou l'immerger dans l'eau ou tout autre liquide.** Cela peut entraîner une défaillance prématurée de l'élément.
- **Ne pas ranger ni utiliser l'outil et le bloc-piles dans un endroit où la température peut atteindre ou**

dépasser les 40 °C (105 °F) (comme dans les remises extérieures ou les bâtiments métalliques en été).

⚠ AVERTISSEMENT : ne jamais ouvrir le bloc-piles pour quelque raison que ce soit. Si le boîtier du bloc-piles est fissuré ou endommagé, ne pas l'insérer dans un chargeur. Ne pas écraser, faire tomber ou endommager le bloc-piles. Ne pas utiliser un bloc-piles ou un chargeur qui a reçu un choc violent, qui est tombé, a été écrasé ou est endommagé de quelque manière que ce soit (p. ex. percé par un clou, frappé d'un coup de marteau, piétiné). Les blocs-piles endommagés doivent être envoyés au centre de réparation pour être recyclés.

⚠ AVERTISSEMENT : risque d'incendie. Ne pas ranger ou transporter les piles de manière à ce que des objets métalliques puissent entrer en contact avec les bornes exposées des piles. Par exemple, ne pas mettre un bloc-piles dans un tablier, une poche, une boîte à outils, une boîte de nécessaire de produit ou un tiroir contenant des objets tels que des clous, des vis ou des clés, car tout contact accidentel entre les bornes à découvert et un objet métallique conducteur comme une clé, une pièce de monnaie, un outil à main, etc. risque de provoquer un incendie. La Hazardous Material Regulations (réglementation sur les produits dangereux) du département américain des transports interdit en fait le transport des blocs-piles pour le commerce et dans les avions (c.-à-d. dans des valises et les bagages à main) À MOINS qu'ils ne soient bien protégés contre les courts-circuits. Pour le transport de piles individuelles, on doit donc s'assurer que les bornes sont protégées et bien isolées contre toute matière pouvant entrer en contact avec elles et provoquer un court-circuit.

REMARQUE : il ne faut pas laisser de piles au Lithium-Ion dans les bagages enregistrés.

RECOMMANDATIONS EN MATIÈRE DE RANGEMENT

1. Le meilleur endroit de rangement est celui qui est frais et sec, loin de toute lumière directe du soleil et protégé d'une température extrême (chaleur ou froid).
2. Un entreposage prolongé ne nuira pas au bloc-piles ou au chargeur.

PROCÉDURE DE CHARGE

Les chargeurs BLACK+DECKER sont conçus pour charger les blocs-piles BLACK+DECKER.

1. Brancher le chargeur dans une prise appropriée avant d'insérer le bloc-piles).
2. Insérer le bloc-piles dans le chargeur (Figure B).
3. Le voyant DEL vert clignotera indiquant ainsi que le bloc-piles est en cours de

charge.

4. La fin de la charge est indiquée par le voyant DEL vert qui demeure allumé. Le bloc-piles est chargé à plein et peut être utilisé à ce moment-ci ou laissé sur le chargeur.

Recharger les piles épuisées aussitôt que possible après leur utilisation pour prolonger leur durée de vie. Pour préserver le plus possible la durée de vie du bloc-piles, ne pas le décharger tout à fait. Il est recommandé de recharger le bloc-piles après chaque utilisation.

REMARQUES IMPORTANTES POUR LE CHARGEMENT

1. Pour augmenter la durée de vie du bloc-piles et optimiser son rendement, le charger à une température entre 18 et 24 °C (65 et 75 °F). NE PAS charger le bloc-piles à des températures inférieures à 4,5 °C (40 °F) ou supérieures à 40,5 °C (105 °F). Ces consignes sont importantes et permettent d'éviter d'endommager gravement le bloc-piles.
2. Le chargeur et le bloc-piles peuvent devenir chauds au toucher pendant la charge. Il s'agit d'un état normal et cela n'indique pas un problème. Pour faciliter le refroidissement du bloc-piles après son utilisation, éviter de mettre le chargeur ou le bloc piles dans un endroit chaud comme dans une remise métallique ou une remorque non isolée.
3. Si le bloc-piles ne se charge pas adéquatement, on doit :
 - a. vérifier le courant à la prise en branchant une lampe ou un autre appareil électrique;
 - b. vérifier si la prise est reliée à un interrupteur mural qui la met hors tension lorsque la lumière sont éteinte;
 - c. déplacer le chargeur et le bloc-piles dans un endroit où la température ambiante est entre 18 et 24 °C (65 et 75 °F);
 - d. si le problème persiste, apporter ou envoyer l'outil, le bloc-piles et le chargeur au centre de réparation de votre région.
4. Le bloc-piles doit être rechargé lorsqu'il n'arrive pas à produire suffisamment de puissance pour des travaux qui étaient facilement réalisés auparavant. NE PAS CONTINUER à utiliser le bloc-piles dans ces conditions. Suivre les procédures de charge. On peut également recharger à tout moment un bloc-piles partiellement déchargé sans nuire à son fonctionnement.
5. Tout corps étranger conducteur, tel que notamment la laine d'acier, le papier d'aluminium, ou toute accumulation de particules métalliques, doit être maintenu à distance des ouvertures du chargeur. Débrancher systématiquement celui-ci si aucun bloc-piles n'y est inséré.

Débrancher le chargeur avant tout nettoyage.

6. Ne pas congeler le chargeur, l'immerger ans l'eau ou dans tout autre liquide.

⚠ AVERTISSEMENT : risque de choc électrique. Ne jamais ouvrir le bloc-piles pour quelque raison que ce soit. Si le boîtier en plastique du bloc-piles est brisé ou fissuré, le retourner à un centre de réparation pour qu'il soit recyclé.

Recommandations de stockage

1. Le lieu idéal de rangement est un lieu frais et sec, à l'abri de toute lumière solaire directe et de toute température excessive (froide ou chaude).

2. Pour un stockage prolongé, il est recommandé d'entreposer le bloc-piles pleinement chargé dans un lieu frais et sec, hors du chargeur pour optimiser les résultats.

REMARQUE : ne pas insérer de bloc-piles dans un outil dont la gâchette et verrouillée en position de marche. Ne jamais bloquer l'interrupteur en position de MARCHÉ.

REMARQUE : les bloc-piles ne devraient pas être entreposés complètement déchargés. Il sera nécessaire de recharger le bloc-piles avant réutilisation.

PROCÉDURE DE CHARGE

Ces produits peuvent être utilisés avec les modèles de bloc-piles et de chargeurs énumérés dans le tableau ci-après.

Description	N° de catalogue
Bloc-piles au lithium-ion de 20 V max.**	LBXR20
Bloc-piles au lithium-ion de 20 V max.**	LBXR20BT
Bloc-piles au lithium-ion de type 1 de 20 V max.** 22 Wh	LB20
Chargeur rapide pour bloc-piles au lithium-ion de 2 A :	L2AFC
Chargeur rapide pour bloc-piles au lithium-ion de 2 A :	L2AFCBST
Chargeur de bloc-piles au lithium-ion de 20 V max.**	LCS20
Chargeur de bloc-piles au lithium-ion de 20 V max.**	LCS201
Bloc-piles au lithium-ion de 20 V max.**	LCS1620
Bloc-piles au lithium-ion de 20 V max.**	LCS200

Les chargeurs Black+Decker ont été conçus pour recharger les blocs-piles Black+Decker.

REMARQUE : pour optimiser les performances et la durée de vie des blocs-piles au lithium-ion :

- Recharger pleinement les blocs-piles avant toute utilisation initiale.
- Recharger les blocs-piles déchargés dès que possible après chaque utilisation.
- Ne pas décharger complètement les blocs-piles.

1. Branchez le chargeur dans la prise appropriée avant d'y insérer le bloc-piles.
2. Insérez le bloc-piles dans le chargeur.
3. Le voyant DEL vert clignotant indique que le bloc-piles est en cours de charge.
4. La fin de charge est indiquée par le voyant vert restant allumé de façon continue. Le bloc-piles est alors complètement chargé et peut être utilisé ou laissé dans le chargeur.

LAISSER LE BLOC-PILES DANS LE CHARGEUR

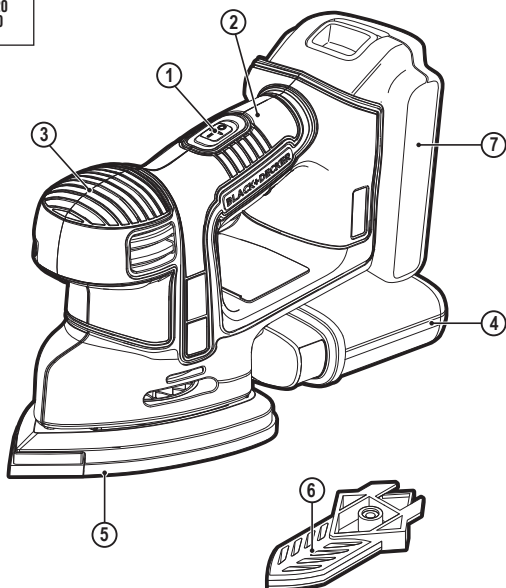
Le chargeur et son bloc-piles peuvent rester connectés, le voyant vert demeurant indéfiniment allumé. Le chargeur maintiendra le bloc-piles sain et pleinement chargé.

USAGE PRÉVU

Votre perceuse BLACK+DECKER BDCMS20 a été conçue pour poncer le bois, le métal, les plastiques et les surfaces peintes. Cet outil a été conçu pour l'usage domestique seulement.

DESCRIPTION FONCTIONNELLE

1. Interrupteur marche/arrêt
2. Poignée arrière
3. Poignée avant
4. Compartiment à poussière
5. Patin de ponçage
6. Accessoire en forme de doigt
7. Bloc-pile



Outils nécessaires : tournevis à tête cruciforme n° 1

MODE D'EMPLOI

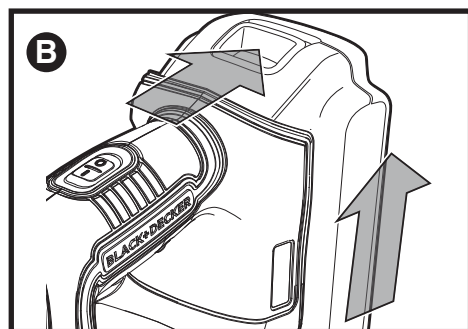
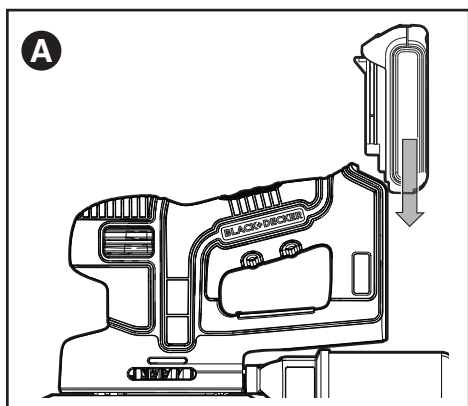
⚠ AVERTISSEMENT : pour réduire tout risque de dommages corporels graves, lire et suivre toutes les consignes importantes de sécurité et toutes les instructions avant d'utiliser l'outil.

INSTALLATION ET RETRAIT DU BLOC-PILES DE L'OUTIL

MISE EN GARDE : s'assurer que l'interrupteur est à l'arrêt avant d'installer ou de retirer le bloc-piles.

Installation du bloc-piles : Poussez à fond le bloc-piles (7) dans l'outil jusqu'à ce qu'un clic se fasse entendre (figure A). Assurez-vous que le bloc-piles est bien calé et complètement verrouillé en place.

Retrait du bloc-piles : Appuyez sur le bouton de libération du bloc-piles à l'arrière du bloc-piles puis tirez-le hors de l'outil (figure B).



UTILISATION

REMARQUE : ne pas poser les doigts sur la plaquette pendant l'utilisation. Déplacer la ponceuse en large mouvement de va-et-vient en laissant l'outil faire le travail. Il suffit d'exercer une pression légère pour poncer, polir ou frotter. Toute pression excessive ralentira l'outil et produira des résultats médiocres. Vérifier le travail souvent, l'outil

est capable de retirer rapidement des quantités importantes de matériau.

⚠ AVERTISSEMENT : **risques de chocs électriques.** Cet outil ne doit en aucun cas être utilisé à proximité d'eau.

⚠ MISE EN GARDE : pour réduire tout risque de dommages corporels, arrêter l'outil et retirer son bloc-piles avant tout réglage ou avant de retirer ou installer toute pièce ou tout accessoire.

MISE EN MARCHÉ ET ARRÊT

- Pour mettre l'outil en MARCHÉ, poussez l'interrupteur marche/arrêt (1) sur la position avant I.
- Pour ARRÊTER l'outil, poussez l'interrupteur marche/arrêt (1) sur la position arrière O.

INSTALLATION DE PAPIER ABRASIF (FIG. C)

- Maintenez l'outil avec la base abrasive dirigée vers le haut.
- Placez le papier abrasif (8) sur la base abrasive, en vous assurant que les orifices du papier s'alignent sur les orifices de la base.

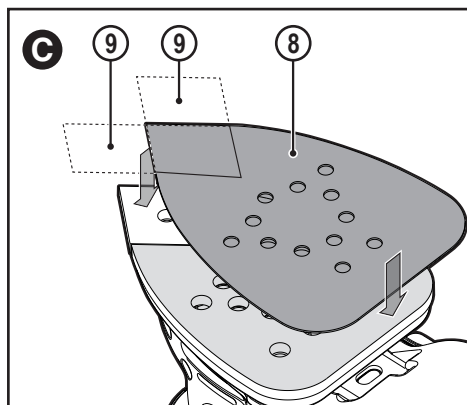
CONSEILS D'INSTALLATION DU PAPIER ABRASIF (FIG. C)

- Détacher les deux points supplémentaires en forme de losange (9) du papier abrasif (8).

Remarque : les pointes en forme de losange (10) peuvent être inversées ou changées lorsqu'elles sont usées.

- Lorsque l'avant de la pointe (9) est usé, détacher cette dernière du papier, l'inverser puis la réappliquer sur la base abrasive.
- Quand l'ensemble de la pointe est usé, la retirer de la base abrasive puis réinsérer une pointe neuve.

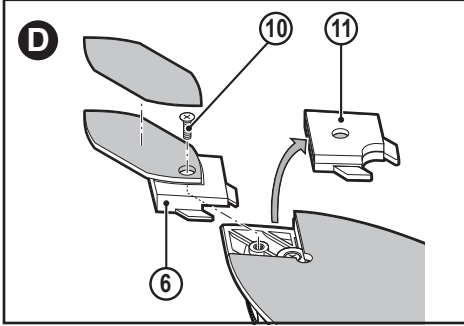
Remarque : pour optimiser l'aspiration des poussières, s'assurer d'utiliser le bon type de papier abrasif.



BANDE ÉTROITE (FIG. D - ACCESSOIRE EN OPTION)

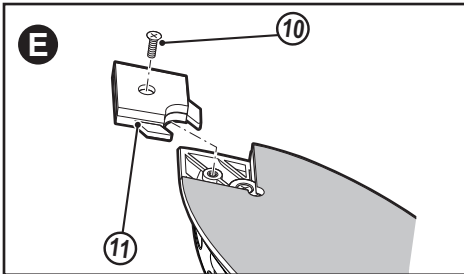
La bande étroite est utilisée pour effectuer des travaux de finition minutieux.

- Retirez la vis (10).
- Retirez la pointe en forme de losange (11) de la base.
- Installez la bande étroite (6) sur la base abrasive, comme illustré en figure D.
- Insérez et resserrez la vis.
- Alignez le papier abrasif approprié sur la bande étroite.



REPLACEMENT DE LA POINTE EN FORME DE LOSANGE (FIG. E)

- Changez la pointe en forme de losange (11).
- Réinsérez puis resserrez la vis (10).



INSTALLATION ET RETRAIT DU BAC À POUSSIÈRES (FIG. F)

⚠ MISE EN GARDE : pour réduire tout risque de dommages corporels, arrêter l'outil et retirer son bloc-piles avant tout réglage ou avant de retirer ou installer toute pièce ou tout accessoire.

⚠ MISE EN GARDE : risques pour les voies respiratoires. Ne jamais utiliser cet outil pour poncer le bois sans le bac à poussières correctement installé.

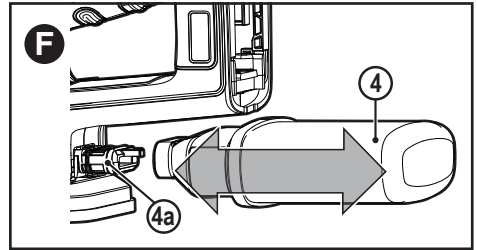
L'évacuation des poussières du ponçage pose des risques au système respiratoire.

⚠ AVERTISSEMENT : risques d'incendie. La poussière accumulée par le ponçage des enduits de certaines surfaces

(polyuréthane, huile de lin, etc.) peut prendre feu dans le bac à poussière de la ponceuse ou ailleurs et provoquer un incendie. Pour réduire ces risques, vider fréquemment le bac et se conformer strictement aux directives du manuel de la ponceuse et à celles du fabricant des enduits.

⚠ AVERTISSEMENT : risques d'incendie. Lors du travail sur des surfaces métalliques, ne pas utiliser le bac à poussières ou un aspirateur, car des étincelles seront produites. Porter une protection oculaire et un masque anti-poussières. Pour éviter tout risque d'incendie, ne pas utiliser la ponceuse sur des surfaces traitées au magnésium. Ne jamais utiliser la ponceuse pour des ponçages humides.

- Le bac à poussières (4) devrait être vidé toutes les 10 minutes de ponçage.
- Insérez le bac à poussières (4) sur le raccord (4a) et assurez-vous qu'il y est soigneusement verrouillé.
- Pour retirer le bac à poussières, tirez-le vers l'arrière, hors de l'extrémité de l'outil.



CONSEILS POUR UN USAGE OPTIMUM

⚠ AVERTISSEMENT : laisser l'outil fonctionner à son propre rythme. Ne pas le forcer.

- Ne pas placer les mains sur les orifices d'aération.
- Ne pas exercer de pression excessive sur l'outil.
- Vérifier régulièrement la condition du papier abrasif. Le changer le cas échéant.
- Poncer systématiquement dans le fil du bois.
- Pour poncer des couches fraîches de peinture avant d'en appliquer une nouvelle, utiliser un grain extra fin.
- Pour poncer des surfaces très inégales ou pour retirer des couches de peinture, utiliser un gros grain. Pour toute autre surface, commencer avec un grain moyen. Dans tous les cas, passer graduellement à un grain plus fin pour un fini lisse.

- Pour poncer des surfaces verticales, maintenir la poignée arrière (2) pour optimiser la prise et le contrôle.


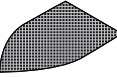





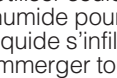
ACCESSOIRES

Une gamme d'accessoires Mouse^{MD} est disponible et vendue séparément.

La gamme offerte peut varier selon les détaillants. Remarque : utiliser exclusivement du papier abrasif avec une configuration de trous identique à celle de la base de la ponceuse. Les feuilles sans orifices ne permettront pas à la poussière d'être évacuée.

Les tampons crochet et boucle et les bases individuelles sont des pièces remplaçables. En cas d'usure, veuillez contacter votre centre de réparation local. Pour plus d'informations, veuillez appeler le 1-800-544-6986.

⚠ AVERTISSEMENT : l'usage d'un accessoire non recommandé avec cet outil peut présenter un danger.

Article	Description
	Bande étroite de précision. Pour les endroits étroits difficiles d'accès. La bande étroite de précision peut être utilisée pour le ponçage léger et pour poncer dans les coins. (Pièce numéro - X32214-XJ)
	Maille abrasive, grain 240. Pour la fini lisse et précis de large surface à poncer. (Pièce numéro - X39132-XJ)
	Maille abrasive, grain 120. Pour la fini moyen et précis de large surface à poncer. (Pièce numéro - X39127-XJ)
	Maille abrasive, grain 80. Pour la fini grossier et précis de large surface à poncer. (Pièce numéro - X39122-XJ)
	Papier abrasif de précision pour large surface, grain 240, avec deux pointes de remplacement. Pour la fini lisse et précis de large surface à poncer. (Pièce numéro - X31019-XJ)
	Papier abrasif de précision pour large surface, grain 120, avec deux pointes de remplacement. Pour la fini moyen et précis de large surface à poncer. (Pièce numéro - X31009-XJ)
	Papier abrasif de précision pour large surface, grain 60, avec deux pointes de remplacement. Pour la fini grossier et précis de large surface à poncer. (Pièce numéro - X31039-XJ)
	Papier abrasif en bande étroite de précision, grain 120. Pour la fini moyen du ponçage de précision. (Pièce numéro - X3277-XJ)

ENTRETIEN

Utiliser seulement du savon doux et un chiffon humide pour nettoyer l'outil. Ne laisser aucun liquide s'infiltrer dans l'outil et ne jamais immerger tout composant de l'outil.

IMPORTANT : Pour assurer la SÉCURITÉ D'EMPLOI et la FIABILITÉ de l'outil, en confier les réparations, l'entretien et les réglages au personnel d'un centre de service ou d'un atelier d'entretien autorisé n'utilisant que des pièces de rechange identiques.

INFORMATION SURE LES RÉPARATIONS

Tous les centres de réparation BLACK+DECKER sont dotés de personnel qualifié en matière d'outillage électrique; ils sont donc en mesure d'offrir à leur clientèle un service efficace et fiable. Que ce soit pour un avis technique, une réparation ou des pièces de rechange authentiques installées en usine, communiquer avec l'établissement BLACK+DECKER le plus près de chez vous. Pour trouver l'établissement de réparation de votre région, composer le numéro suivant : **1-800-544-6986** ou consulter le site **www.blackanddecker.com**

ACCESSOIRES

Une gamme d'accessoires Mouse® est offerte et vendue séparément. La gamme offerte peut varier selon le détaillant. Remarque : utiliser uniquement le papier abrasif perforé conforme au motif de la semelle de la ponceuse. Le papier abrasif non perforé ne permettra pas l'aspiration de la poussière dans le compartiment à poussière.

Le tampon en Velcro^{mc} et les socles individuels sont des pièces remplaçables. Communiquer avec le centre de service de la région lorsque ces pièces sont usées. Pour obtenir de plus amples renseignements, composer le numéro suivant : **1 (800) 544-6986**.

⚠ AVERTISSEMENT : L'utilisation de tout accessoire non recommandé pour l'outil peut être dangereuse.

Les tampons décrits ci-dessous pourraient être offerts en trousse chez les détaillants revendant les produits Mouse®. Pour obtenir de plus amples renseignements, composer le numéro suivant : **1 (800) 544-6986**.

Le sceau SRPRC®

Le sceau SRPRC® (Société de recyclage des piles rechargeables du Canada)

apposé sur une pile au nickel-cadmium, à hydrure métallique de nickel ou au lithium-ion (ou un bloc-piles) indique que les coûts de recyclage de ces derniers en fin d'utilisation ont déjà été réglés par BLACK+DECKER. Dans certaines régions, la mise au rebut ou aux ordures municipales des piles au nickel-cadmium, à l'hydrure métallique de nickel ou au lithium-ion, est illégale ; le programme de l'Appel à Recycler® constitue donc une



DÉPANNAGE

PROBLÈME	CAUSE POSSIBLE	SOLUTION POSSIBLE
• Ne fonctionne	<ul style="list-style-type: none"> • Mauvaise installation du bloc-piles. • Bloc-piles non chargée. 	<ul style="list-style-type: none"> • Vérifier l'installation du bloc-piles. • Vérifier les exigences de charge pour le bloc-piles.
• Le bloc-piles ne se charge pas.	<ul style="list-style-type: none"> • Bloc-piles non insérée dans le chargeur. • Chargeur non branché. • Température ambiante trop chaude ou froide 	<ul style="list-style-type: none"> • Insérer le bloc-piles dans le chargeur de sorte que le voyant DEL vert apparaisse. • Brancher le chargeur dans une prise qui fonctionne. Se reporter à la rubrique « Remarques importantes de chargement » pour plus de renseignements. • Déplacer le chargeur et l'outil à une température ambiante de plus de 4.5 °C (40 °F) ou sous les 40.5 °C (105 °F). • Laisser le bloc-piles refroidir.
• L'appareil s'éteint soudainement.	<ul style="list-style-type: none"> • Le bloc-piles a atteint sa limite thermique maximale. • Bloc-piles épuisé. (Pour maximiser la durée de vie du bloc-piles, celui-ci est conçu pour s'éteindre soudainement lorsqu'il est épuisé.) 	<ul style="list-style-type: none"> • Placer dans le chargeur le temps d'une charge.

Pour de l'aide avec l'outil, consulter notre site Web www.blackanddecker.com pour l'emplacement du centre de réparation le plus près ou communiquer avec l'assistance BLACK+DECKER au 1-800-544-6986.

MATRICE D'UTILISATION/ACCESSOIRES

ACCESSOIRE

Papier abrasif grain moyen
 Papier abrasif grain fin
 Papier abrasif grain extra fin
 Pointes de ponçage de finition
 Laine à polir/décaper 1 OT
 Laine à polir fine 4 OT
 Tampon de mousse gris
 Tampon non tissé blanc
 Tampon non tissé rouge

UTILISATIONS RECOMMANDÉES

Retrait de peinture, vernis, rouille
 Lissage et fini des surfaces
 Ponçage entre les couches de peinture ou de vernis
 Coins/endroits difficiles d'accès
 Polissage des métaux/décapage du vernis ou de l'uréthane
 Polissage de finition, finition satinée de peinture/vernis/uréthane
 Application et retrait de produit à polir
 Récurage léger
 Récurage intense/retrait de la rouille

Les tampons décrits ci-dessus sont aussi disponibles en trousse auprès des revendeurs de produits Mouse^{MD}. Pour plus d'informations, appeler le 1-800-544-6986.

solution pratique et écologique. Appel à Recycler Canada, Inc., en collaboration avec BLACK+DECKER et d'autres utilisateurs de piles, a mis sur pied de programme aux États-Unis et au Canada pour faciliter la collecte des piles au nickel-cadmium, à l'hydrure métallique

de nickel ou au lithium-ion usagées. Aidez-nous à protéger l'environnement et à conserver nos ressources naturelles en renvoyant les piles au nickel-cadmium, à l'hydrure métallique de nickel ou au lithium-ion usagées à un centre de réparation autorisé BLACK+DECKER ou chez votre

détaillant afin qu'elles y soient recyclées. On peut en outre se renseigner auprès d'un centre de recyclage local pour connaître d'autres sites les acceptant. SRPRC® est une marque déposée de l'Appel à Recycler Canada, Inc.

Cet appareil numérique de la classe B est conforme à la norme NMB-003 du Canada. Cet appareil est conforme aux dispositions du paragraphe 15 des règlements de la FCC. Son fonctionnement est régi par les deux conditions suivantes : (1) Cet appareil ne peut pas causer d'interférence nuisible et (2) cet appareil doit accepter toutes les interférences reçues, y compris celles qui risquent d'en gêner le fonctionnement.

REMARQUE : ce matériel a été testé et a été déclaré conforme aux limites en vigueur concernant les dispositifs numériques de classe B, en vertu de la partie 15 de la réglementation FCC. Ces limites visent à assurer une protection raisonnable contre tout brouillage nuisible dans une installation résidentielle. Ce matériel produit, consomme et peut émettre une énergie de radiofréquence et, s'il n'est pas installé et utilisé conformément aux directives qui l'accompagnent, il peut entraîner un brouillage nuisible des communications radio. Cependant, nous ne garantissons pas l'absence de brouillage dans tous les types d'environnement. Si, après avoir effectué une vérification en mettant l'appareil hors tension puis sous tension, l'utilisateur s'aperçoit que ce matériel provoque un brouillage nuisible à la réception des signaux de radio ou de télévision, il lui faudra essayer de corriger ce brouillage en prenant une ou plusieurs des mesures ci-dessous :

- Réorienter ou repositionner l'antenne de réception.
- Éloigner le plus possible le matériel du récepteur.
- Brancher le matériel dans une prise électrique située sur un circuit différent de celui du récepteur.
- Consulter le distributeur ou un technicien radio/télévision expérimenté pour obtenir de l'aide.

Tout changement ou toute modification à cet appareil qui n'est pas expressément approuvé par l'institution responsable de la conformité peut faire annuler le droit de l'utilisateur d'utiliser ce matériel. Cet appareil numérique de la classe B est conforme à la norme NMB-003 du Canada.

GARANTIE LIMITÉE DE DEUX ANS

Black & Decker (É.-U.) Inc. garantit que le produit est exempt de défauts de matériau et de fabrication pendant deux(2) ans à partir de la date d'achat, à condition que le produit soit utilisé en milieu domestique. La présente garantie limitée ne couvre pas les défaillances provoquées par un abus, un dommage accidentel ou des réparations ou tentatives de réparations effectuées par toute autre personne que le personnel de Black+Decker et de ses centres de réparation agréés. Un produit défectueux qui remplit les conditions stipulées par la présente garantie sera remplacé ou réparé sans frais d'une des deux façons suivantes : La première façon consiste en un échange chez le détaillant où le produit a été acheté (à la condition que le magasin soit un détaillant participant). Tout retour doit se faire durant la période correspondant à la politique d'échange du détaillant. Une preuve d'achat peut être requise. Prière de vérifier la politique de retour du détaillant au sujet des délais impartis pour les retours ou les échanges. La deuxième option est d'apporter ou d'envoyer le produit (en port payé) à un centre de réparation agréé ou à un centre de réparation Black+Decker pour faire réparer ou échanger le produit, à la discrétion de Black+Decker. Une preuve d'achat peut être requise. Les centres de réparation de Black+Decker et les centres de réparation ou en ligne sur www.blackanddecker.com.

Cette garantie ne s'applique pas aux accessoires. Cette garantie accorde des droits légaux propres au propriétaire de l'outil. Ce dernier pourrait avoir d'autres droits selon l'État ou la province qu'il habite. Pour toute question, communiquer avec le directeur du centre de réparation Black+Decker le plus près. Ce produit n'est pas destiné à un usage commercial. L'usage commercial de ce produit annule par conséquent cette garantie. Toutes autres garanties, expresses ou implicites, sont déclinées par la présente.

Imported by / Importé par
Black & Decker Canada Inc.
100 Central Ave.
Brockville (Ontario) K6V 5W6

BLACK+ DECKER™

LIJADORA MOUSE DE 20v MAX*

MANUAL DE INSTRUCCIONES

CATÁLOGO N°
BDCMS20

Gracias por elegir BLACK+DECKER!

Visite www.BlackandDecker.com/NewOwner para registrar su nuevo producto.
LEA EL MANUAL ANTES DE DEVOLVER ESTE PRODUCTO POR CUALQUIER MOTIVO:

Si tiene una consulta o algún inconveniente con su producto BLACK+DECKER, visite <http://www.blackanddecker.com/instantanswers> para obtener respuestas instantáneas las 24 horas del día.

Si no encuentra la respuesta o no tiene acceso a Internet, llame al 1-800-544-6986 de lunes a viernes de 8 a. m. a 5 p. m. hora del Este para hablar con un agente.

Cuando llame, tenga a mano el número de catálogo.

**CONSERVE ESTE MANUAL PARA FUTURAS CONSULTAS.
SÓLO PARA USO DOMÉSTICO.**

*El voltaje inicial máximo de la batería (medido sin carga de trabajo) es de 20 voltios. El voltaje nominal es de 18.

INFORMACIÓN CLAVE QUE DEBE CONOCER:

- No presione hacia abajo —deje que la lijadora realice el trabajo.
- No se recomienda utilizar este producto en muros de mampostería de gran extensión.

PAUTAS DE SEGURIDAD - DEFINICIONES

Es importante que lea y comprenda este manual. La información que contiene se refiere a la protección de SU SEGURIDAD y la PREVENCIÓN DE PROBLEMAS. Los símbolos a continuación se utilizan para ayudarle a reconocer esta información.

⚠ PELIGRO: Indica una situación de peligro inminente que, de no evitarse, ocasionará la muerte o lesiones graves.

⚠ ADVERTENCIA: Indica una situación potencialmente peligrosa que, de no evitarse, podría ocasionar la muerte o lesiones graves.

⚠ ATENCIÓN: Indica una situación potencialmente peligrosa que, de no evitarse, puede ocasionar lesiones leves o moderadas.

AVISO: Si se usa sin el símbolo de alerta de seguridad indica una situación potencialmente peligrosa que, de no evitarse, puede ocasionar daño material.

ADVERTENCIAS GENERALES DE SEGURIDAD PARA HERRAMIENTAS ELÉCTRICAS

⚠️ ADVERTENCIA: Lea todas las advertencias de seguridad e instrucciones. El incumplimiento de las advertencias e instrucciones puede provocar descargas eléctricas, incendios o lesiones graves.

Conserve todas las advertencias e instrucciones para futuras consultas.

El término “herramienta eléctrica” incluido en las advertencias hace referencia a las herramientas eléctricas operadas con corriente (con cable eléctrico) o a las herramientas eléctricas operadas con baterías (inalámbricas).

1) Seguridad en el área de trabajo

a) **Mantenga el área de trabajo limpia y bien iluminada.** *Las áreas abarrotadas y oscuras propician accidentes.*

b) **No opere herramientas eléctricas en atmósferas explosivas, como ambientes donde se encuentran líquidos, gases o polvo inflamables.** *Las herramientas eléctricas originan chispas que pueden encender el polvo o los vapores.*

c) **Mantenga a los niños y espectadores alejados de la herramienta eléctrica en funcionamiento.** *Las distracciones pueden provocar la pérdida de control.*

2) Seguridad eléctrica

a) **Los enchufes de la herramienta eléctrica deben adaptarse al tomacorriente. Nunca modifique el enchufe de ninguna manera. No utilice ningún enchufe adaptador con herramientas eléctricas con conexión a tierra.** *Los enchufes no modificados y que se adaptan a los tomacorrientes reducirán el riesgo de descarga eléctrica.*

b) **Evite el contacto corporal con superficies puestas a tierra, como por ejemplo tuberías, radiadores, rangos y refrigeradores.** *Existe mayor riesgo de descarga eléctrica si su cuerpo está puesto a tierra.*

c) **No exponga las herramientas eléctricas a la lluvia o a condiciones de humedad.** *Si ingresa agua a una herramienta eléctrica, aumentará el riesgo de descarga eléctrica.*

d) **No maltrate al cable. Nunca utilice el cable para transportar, tirar o desenchufar la herramienta eléctrica. Mantenga el cable lejos del calor, aceite, bordes afilados o piezas móviles.** *Los cables dañados o enredados aumentan el riesgo de descarga eléctrica.*

e) **Al operar una herramienta eléctrica en el exterior, utilice un cable prolongador adecuado para tal uso.**

Utilice un cable adecuado para uso en exteriores a fin de reducir el riesgo de descarga eléctrica.

f) **Si el uso de una herramienta eléctrica en un lugar húmedo es imposible de evitar, utilice un suministro protegido con un interruptor de circuito por falla a tierra (GFCI).** *El uso de un GFCI reduce el riesgo de descargas eléctricas.*

3) Seguridad personal

a) **Permanezca alerta, controle lo que está haciendo y utilice el sentido común cuando emplee una herramienta eléctrica.** *No utilice una herramienta eléctrica si está cansado o bajo el efecto de drogas, alcohol o medicamentos. Un momento de descuido mientras se opera una herramienta eléctrica puede provocar lesiones personales graves.*

b) **Utilice equipos de protección personal. Siempre utilice protección para los ojos.** *En las condiciones adecuadas, el uso de equipos de protección, como máscaras para polvo, calzado de seguridad antideslizante, cascos o protección auditiva, reducirá las lesiones personales.*

c) **Evite el encendido por accidente. Asegúrese de que el interruptor esté en la posición de apagado antes de conectarlo a la fuente de energía o paquete de baterías, o antes de levantar o transportar la herramienta.** *Transportar herramientas eléctricas con el dedo apoyado en el interruptor o enchufar herramientas eléctricas con el interruptor en la posición de encendido puede propiciar accidentes.*

d) **Retire las clavijas de ajuste o llaves de tuercas antes de encender la herramienta eléctrica.** *Una llave de tuercas o una clavija de ajuste que se deje conectada a una pieza giratoria de la herramienta eléctrica pueden provocar lesiones personales.*

e) **No se estire. Conserve el equilibrio adecuado y manténgase parado correctamente en todo momento.** *Esto permite un mejor control de la herramienta eléctrica en situaciones inesperadas.*

f) **Use la vestimenta adecuada. No use ropas holgadas ni joyas. Mantenga el cabello, la ropa y los guantes alejados de las piezas en movimiento.** *Las ropas holgadas, las joyas o el cabello largo pueden quedar atrapados en las piezas en movimiento.*

g) **Si se suministran dispositivos para la conexión de accesorios con fines de recolección y extracción de polvo, asegúrese de que estén conectados y que se utilicen correctamente.** *El uso de dispositivos de recolección de polvo puede reducir*

los peligros relacionados con el polvo.

4) Uso y mantenimiento de la herramienta eléctrica

- a) No fuerce la herramienta eléctrica. Utilice la herramienta eléctrica correcta para el trabajo que realizará. *La herramienta eléctrica correcta hará el trabajo mejor y más seguro a la velocidad para la que fue diseñada.*
- b) No utilice la herramienta eléctrica si no puede encenderla o apagarla con el interruptor. *Toda herramienta eléctrica que no puede ser controlada mediante el interruptor es peligrosa y debe ser reparada.*
- c) Desconecte el enchufe de la fuente de energía y/o el paquete de baterías de la herramienta eléctrica antes de realizar ajustes, cambiar accesorios o almacenar herramientas eléctricas. *Estas medidas de seguridad preventivas reducen el riesgo de encender la herramienta eléctrica en forma accidental.*
- d) Guarde las herramientas eléctricas que no están en uso fuera del alcance de los niños y no permite que otras personas no familiarizadas con ella o con estas instrucciones operen la herramienta. *Las herramientas eléctricas son peligrosas en las manos de usuarios no entrenados.*
- e) Mantenimiento de las herramientas eléctricas. Controle que no haya piezas móviles mal alineadas o trabadas, piezas rotas y toda otra situación que pueda afectar el funcionamiento de las herramientas eléctricas. Si encuentra daños, haga reparar la herramienta eléctrica antes de utilizarla. *Se producen muchos accidentes a causa de las herramientas eléctricas que carecen de un mantenimiento adecuado.*
- f) Mantenga las herramientas de corte afiladas y limpias. *Las herramientas de corte con mantenimiento adecuado, con los bordes de corte afilados son menos propensas a trabarse y son más fáciles de controlar.*
- g) Utilice la herramienta eléctrica, los accesorios y las brocas de la herramienta, etc. de acuerdo con estas instrucciones y teniendo en cuenta las condiciones de trabajo y el trabajo que debe realizarse. *El uso de la herramienta eléctrica para operaciones diferentes de aquéllas para las que fue diseñada podría originar una situación peligrosa.*

5) Uso y mantenimiento de la herramienta con baterías

- a) Recargue solamente con el cargador

especificado por el fabricante. Un cargador adecuado para un tipo de paquete de baterías puede originar riesgo de incendio si se utiliza con otro paquete de baterías.

- b) Utilice herramientas eléctricas sólo con paquetes de baterías específicamente diseñados. El uso de cualquier otro paquete de baterías puede producir riesgo de incendio y lesiones.
 - c) Cuando no utilice el paquete de baterías, manténgalo lejos de otros objetos metálicos como sujetapapeles, monedas, llaves, clavos, tornillos u otros objetos metálicos pequeños que puedan realizar una conexión desde un terminal al otro. Los cortocircuitos en los terminales de la batería pueden provocar quemaduras o incendio.
 - d) En condiciones abusivas, el líquido puede ser expulsado de la batería. Evite su contacto. Si entra en contacto accidentalmente, enjuague con agua. Si el líquido entra en contacto con sus ojos, busque atención médica. El líquido expulsado de la batería puede provocar irritación o quemaduras.
- 6) Mantenimiento
- a) Haga que una persona de reparaciones calificada realice el mantenimiento de su herramienta eléctrica y utilice piezas de repuesto idénticas solamente. *Esto garantizará la seguridad de la herramienta eléctrica.*

NORMAS DE SEGURIDAD ESPECÍFICAS

- Sujete la herramienta eléctrica por las superficies aislantes cuando realice una operación en que la herramienta pueda hacer contacto con cables ocultos. Al hacer contacto con un cable "vivo", las partes metálicas de la herramienta se vuelven "vivas" y pueden originar un choque al operador.

⚠ ADVERTENCIA: USE SIEMPRE LENTES DE SEGURIDAD. Los anteojos de uso diario NO son lentes de seguridad. Utilice también máscaras faciales o para polvo si el corte produce polvillo. **UTILICE SIEMPRE EQUIPOS DE SEGURIDAD CERTIFICADOS:**

- Protección para los ojos según la norma ANSI Z87.1 (CAN/CSA Z94.3)
- Protección auditiva según la norma ANSI S12.6 (S3.19)
- Protección respiratoria según las normas NIOSH/OSHA/MSHA

⚠ ADVERTENCIA: parte del polvo producido por las herramientas

eléctricas al lijar, aserrar, esmerilar, taladrar y realizar otras actividades de la construcción, contiene productos químicos reconocidos por el Estado de California como causantes de cáncer, defectos de nacimiento u otros problemas reproductivos. Algunos de estos productos químicos son:

- el plomo de las pinturas de base plomo,
- la sílice cristalina de ladrillos, el cemento y otros productos de mampostería, y
- el arsénico y el cromo de la madera con tratamiento químico.

El riesgo derivado de estas exposiciones varía según la frecuencia con la que se realice este tipo de trabajo. Para reducir la exposición a estos productos químicos: trabaje en áreas bien ventiladas y trabaje con equipos de seguridad aprobados, como las máscaras para polvo especialmente diseñadas para filtrar las partículas microscópicas.

- **Evite el contacto prolongado con el polvo procedente del lijado, serrado, esmerilado y taladrado eléctricos, así como de otras actividades del sector de la construcción. Lleve ropa protectora y lave con agua y jabón las zonas expuestas.** Si permite que el polvo se introduzca en la boca u ojos o quede sobre la piel, puede favorecer la absorción de productos químicos peligrosos.

⚠ ADVERTENCIA: El uso de esta herramienta puede generar o dispersar polvo lo cual puede causar lesiones respiratorias serias y permanentes y otros tipos de lesión. Siempre use protección respiratoria aprobada por NIOSH/OSHA para la exposición al polvo. Dirija las partículas en dirección opuesta a su cara y cuerpo.





- **No se recomienda el lijado de pintura con base de plomo.** Ver **Precauciones para el lijado de pintura** para mayor información antes de lijar pintura.
- Limpie su herramienta periódicamente.

Uso de cables de extensión

Asegúrese que el cable de extensión esté en buenas condiciones antes de usarlo. Utilice siempre extensiones con el calibre adecuado con su herramienta – esto es, el calibre apropiado para diferentes longitudes del cable, con la capacidad suficiente para soportar la corriente que su herramienta necesita. El uso de un cable con calibre insuficiente causará una caída en el voltaje de la línea resultando en pérdida de potencia y sobrecalentamiento. Consulte la tabla que sigue para conocer los calibre del cable.

SÍMBOLOS

La etiqueta de su herramienta puede incluir los siguientes símbolos. Los símbolos y sus definiciones son los siguientes:

- V voltios
- A amperios
- Hz hertz
- W vatios
- min minutos
- ~ corriente alterna
- === corriente continua
- n_0 no velocidad sin carga
- ☐ Construcción de clase II
- ⊕ terminal a tierra
- OPM oscilaciones por minuto
- ⚠ simbolo de alerta de seguridad
- .../min or rpm ... revoluciones o reciprocidad por minuto
-  ... Lea el manual de instrucciones antes del uso
-  Use protección adecuada para las vías respiratorias
-  Use protección adecuada para los ojos
-  Use protección adecuada para los oídos

OTRAS ADVERTENCIAS E INSTRUCCIONES DE SEGURIDAD IMPORTANTES

Lijado

Lijado de pinturas con base de plomo

NO SE RECOMIENDA el lijado de pinturas con base de plomo debido a la dificultad para controlar el polvo contaminado. El mayor peligro de envenenamiento por plomo es para niños y mujeres embarazadas. Ya que es difícil identificar si una pintura contiene plomo o no sin efectuar un análisis químico, recomendamos que tenga en cuenta las siguientes precauciones cuando lije cualquier tipo de pintura:

Seguridad personal

- No permita que entren al área de trabajo niños ni mujeres embarazadas cuando lije pintura hasta que haya terminado de asear el lugar.
 - Se recomienda el uso de máscaras o respiradores para todas las personas que entren al área de trabajo. El filtro se debe reemplazar diariamente o cuando el usuario tenga dificultad para respirar.
- NOTA:** Sólo deben utilizarse mascararas adecuadas para trabajo con polvo y vapores de pintura. Las mascararas ordinarias para pintura no ofrecen esta protección. Vea a su distribuidor de herramienta local para conseguir la máscara adecuada.
- NO COMA, BEBA O FUME en la zona de trabajo para evitar ingerir partículas

de pintura contaminadas. Los usuarios deberán lavarse y limpiarse ANTES de comer, beber o fumar. No deben dejarse artículos para comer beber o fumar en el área de trabajo donde el polvo se asentaría en ellos.

Seguridad ambiental

- La pintura debe removerse de tal manera que se minimice la cantidad generada de polvo.
- Se deben sellar las áreas en que se remueve pintura con láminas de plástico de 4 mils. de espesor.
- El lijado debe hacerse en tal forma que se reduzca el desalojo de pintura fuera de la zona de trabajo.

limpieza y desecho

- Todas las superficies en el área de trabajo deben ser aspiradas y limpiadas a conciencia diariamente el tiempo que dure el proyecto de lijado. Las bolsas filtro de las aspiradoras deben cambiarse frecuentemente.
- Las láminas de plástico deben recogerse y desecharse con cualquier resto de pintura. Deben depositarse en receptáculos sellados y deben desecharse a través de los procedimientos de recolección de basura normales. Durante la limpieza, niños y mujeres embarazadas deben permanecer alejados de la zona de trabajo inmediata.
- Todo tipo de juguetes, mobiliario lavable y utensilios usados por niños deben lavarse a conciencia antes de volver a utilizarse.

INSRUCCIONES DE SEGURIDAD IMPORTANTES PARA CARGADORES DE BATERÍAS

GUARDE ESTAS INSTRUCCIONES:

Este manual contiene instrucciones de seguridad importantes para cargadores de baterías.

- Antes de usar el cargador, lea todas las instrucciones y advertencias que se encuentren en el cargador, en la batería y en el producto que usa la batería.

⚠️ ADVERTENCIA: Riesgo de descarga eléctrica. Desconecte el cargador de la toma de corriente alterna antes de limpiarlo. Para limpiar la suciedad y grasa del exterior del cargador puede usarse un paño o cepillo suave no metálico. No use agua ni soluciones limpiadoras.

⚠️ ADVERTENCIA: Riesgo de descarga eléctrica. No permita que ningún líquido entre en el cargador. Podrían provocarse descargas eléctricas.

⚠️ ADVERTENCIA: Riesgo de quemaduras. No sumerja la batería en ningún líquido ni permita que se

introduzca ningún líquido en la misma. No intente nunca abrir la batería por ningún motivo. Si la caja protectora de plástico de la batería se rompe o se raja, devuélvala a un centro de servicio para su reciclaje.

⚠️ ADVERTENCIA: Riesgo de quemaduras.

Para reducir el riesgo de lesiones, cargue solo baterías recargables BLACK+DECKER. Otros tipos de baterías pueden calentarse en exceso y explotar provocando lesiones corporales y daños materiales.

⚠️ ADVERTENCIA: Bajo ciertas condiciones, cuando el cargador está enchufado a una toma de corriente, algunas materias extrañas pueden provocar un cortocircuito en el cargador.

⚠️ ADVERTENCIA:

- **NO intente cargar la batería con otros cargadores que no sean los especificados por el fabricante.** El cargador y la batería están diseñados específicamente para funcionar juntos.
- **Estos cargadores están diseñados exclusivamente para la carga de baterías recargables Black+Decker indicadas.** Cualquier otro uso puede provocar riesgo de incendio, descarga eléctrica o electrocución.
- **No exponga el cargador a la lluvia ni a la nieve.**
- **Tire del enchufe y no del cable al desconectar el cargador.** De esta manera se disminuirá el riesgo de dañar el enchufe y el cable.
- **Asegúrese de que el cable esté ubicado de modo que no lo pise nadie, ni se tropiece con él, y que no esté sujeto a daños o tensiones.**
- **Al utilizar un cargador en el exterior, hágalo siempre en un lugar seco.**
- **Si es absolutamente necesario utilizar un alargador al aire libre, use un alargador apropiado para uso en exteriores.** La utilización de un alargador adecuado para uso en exteriores reduce el riesgo de descarga eléctrica.
- **Los hilos del alargador deben ser de un calibre apropiado (AWG o American Wire Gauge) para su seguridad.** Cuanto más pequeño sea el número del calibre del hilo, mayor será la capacidad del cable, es decir el calibre 16 tiene más capacidad que el calibre 18. Cuando utilice más de un alargador para completar el largo total, asegúrese de que los hilos de cada alargador individual tengan el calibre mínimo.

Calibre mínimo recomendado para alargadores

Volts	Calibre mínimo para cables de extensión			
	Longitud total del cable en pies			
120V	0-25	26-50	51-100	101-150
	(0-7,6m)	(7,6-15,2m)	(15,2-30,4m)	(30,4-45,7m)
240V	0-50	51-100	101-200	201-300
	(0-15,2m)	(15,2-30,4m)	(30,4-60,9m)	(60,9-91,4m)
Amperaje				
Más de		No más de		American Wire Gage
0	- 6	18	16	16 14
6	- 10	18	16	14 12
10	- 12	16	16	14 12
12	- 16	14	12	No se recomienda

- **No coloque objetos en la parte superior del cargador ni coloque el cargador en una superficie blanda que pueda bloquear las ranuras de ventilación y provocar un calor interno excesivo. Coloque el cargador en una posición alejada de cualquier fuente de calor.** El cargador se ventila a través de ranuras en la parte superior e inferior de la cubierta.
- **No monte el cargador en la pared ni lo instale en forma permanente sobre ninguna superficie.** El cargador está diseñado para ser utilizado sobre una superficie plana y estable (p. ej., un banco o una mesa).
- **No opere el cargador con cables o enchufes dañados: reemplácelos de inmediato.**
- **No opere el cargador si éste ha recibido un golpe fuerte, se ha caído, o se ha dañado de cualquier otra manera. Llévelo a un centro de mantenimiento autorizado.**
- **No desarme el cargador; llévelo a un centro de mantenimiento autorizado cuando se requiera mantenimiento o una reparación. El armado incorrecto puede implicar un riesgo de descarga eléctrica, electrocución o incendio.**
- **Antes de limpiarlo, desconecte el cargador del tomacorriente.** Esto reducirá el riesgo de descarga eléctrica. Quitar el paquete de baterías no reducirá este riesgo.
- **NUNCA intente conectar 2 cargadores juntos.**
- **El cargador está diseñado para operar con corriente eléctrica doméstica estándar (120 voltios). No intente utilizarlo con otro voltaje.**

CONSERVE ESTAS INSTRUCCIONES

INSTRUCCIONES DE SEGURIDAD IMPORTANTES PARA BATERÍAS

⚠ ADVERTENCIA: ADVERTENCIA: Lea todas las advertencias de seguridad y todas las instrucciones para la batería, el cargador y la herramienta eléctrica. El incumplimiento de las advertencias e instrucciones podría provocar descarga

eléctrica, incendio y/o lesiones graves. La batería no viene completamente cargada de fábrica. Antes de utilizar la batería y el cargador, lea las instrucciones de seguridad a continuación. Luego siga los procedimientos de carga descritos.

Lea todas las instrucciones

- **No fuerce NUNCA la batería en el cargador. NO modifique la batería de ningún modo para que entre en un cargador no compatible, ya que ésta puede romperse y causar graves lesiones corporales.** Consulte la tabla al final de este manual para información sobre compatibilidad entre baterías y cargadores.
- **No incinere el paquete de baterías, aun si tiene daños importantes o está completamente desgastado. El paquete de baterías puede explotar en el fuego. Cuando se queman paquetes de baterías, se generan vapores y materiales tóxicos.**
- **No cargue ni use la batería en atmósferas explosivas, como ambientes en los que hay líquidos, gases o polvo inflamables. Insertar o retirar la batería del cargador puede encender el polvo o los vapores.**
- **Si el contenido de las baterías entra en contacto con la piel, lave el área de inmediato con agua y jabón suave. Si el líquido de la batería entra en contacto con los ojos, enjuague con agua manteniendo los ojos abiertos durante 15 minutos o hasta que la irritación cese. Si se necesita atención médica, el electrolito de las baterías de Lithium-Ion contiene una mezcla de carbonatos orgánicos líquidos y sales de litio.**
- **El contenido de las células de la batería abierta puede generar irritación respiratoria. Respire aire fresco. Si los síntomas persisten, busque atención médica.**

⚠ ADVERTENCIA: Peligro de quemaduras. El líquido de la batería puede encenderse si se expone a chispas o llamas.

- **Cargue los paquetes de baterías sólo con cargadores de BLACK+DECKER.**
- **NO salpique o sumerja en agua u otros líquidos. Esto puede causar una falla prematura de las células.**
- **No almacene ni utilice la herramienta y el paquete de baterías en lugares en los que la temperatura pueda alcanzar o superar los 40 °C (105 °F) (como en toldos al aire libre o construcciones de metal en verano).**

⚠ ADVERTENCIA: Nunca intente abrir el paquete de baterías por ningún motivo. Si la caja del paquete de baterías está agrietada o dañada, no la introduzca en el cargador. No comprima, deje caer ni dañe

el paquete de baterías. No utilice un paquete de baterías o un cargador que haya recibido un golpe fuerte, se haya caído, esté agotado o dañado de alguna forma (por ejemplo, perforado con un clavo, golpeado con un martillo, pisado). Los paquetes de baterías dañados deben devolverse al centro de mantenimiento para su reciclado.

⚠️ ADVERTENCIA: Riesgo de incendio. No guarde o transporte la batería de ninguna manera que permita que los terminales expuestos de la batería entren en contacto con objetos metálicos. Por ejemplo, no coloque la batería en delantales, bolsillos, cajas de herramientas, cajas de juegos de productos, cajones, etc. con clavos, llaves, tornillos sueltos, etc.

Transportar baterías puede provocar incendios si los terminales de la batería entran en contacto accidentalmente con materiales conductores como llaves, monedas, herramientas de mano u objetos similares. Las Normas para Materiales Peligrosos del Departamento de Transporte de los EE.UU. (HMR) concretamente prohíben transportar baterías comercialmente o en aviones (es decir, empacadas en maletas y equipaje de mano) A MENOS que estén debidamente protegidas de cortocircuitos. Por lo tanto, cuando transporte baterías individuales, asegúrese de que los terminales de la batería estén protegidos y bien aislados de materiales que puedan hacer contacto y causar un cortocircuito.

NOTA: Las baterías de iones de Lithium-Ion no deben colocarse dentro del equipaje registrado.

NOTAS IMPORTANTES SOBRE LA CARGA

1. Obtendrá una duración más prolongada y un mejor rendimiento si el paquete de baterías se carga cuando la temperatura ambiente está entre 18 °C y 24 °C (65 °F y 75 °F). NO cargue el paquete de batería con una temperatura ambiental por debajo de +4,5 °C (+40 °F) o por encima de +40,5 °C (+105 °F). Esto es importante y evitará daños graves en el paquete de baterías.

2. El cargador y el paquete de baterías pueden estar calientes al tacto durante la carga. Esto es una condición normal y no indica un problema. Para facilitar el enfriamiento del paquete de baterías después de su uso, evite colocar el cargador o el paquete de baterías en un ambiente cálido, como debajo de un toldo de metal o en un remolque sin aislamiento.

3. Si el paquete de baterías no se carga adecuadamente:

a. Revise el tomacorriente enchufando una lámpara u otro aparato

b. Verifique si el tomacorriente está

conectado a un interruptor que corta la energía cuando usted apaga las luces.

c. Mueva el cargador y el paquete de baterías a un lugar donde la temperatura ambiental sea de aproximadamente 18 °C a 24 °C (65 °F a 75 °F).

d. Si los problemas de carga persisten, lleve la herramienta, el paquete de baterías y el cargador al centro de mantenimiento local.

4. Se debe recargar el paquete de baterías cuando no produce energía suficiente para tareas que previamente realizaba con facilidad. NO CONTINÚE utilizando la herramienta en estas condiciones. Siga el procedimiento de carga. También se puede cargar un paquete de baterías parcialmente usado cuando se desee, sin ningún efecto negativo sobre éstas.

5. Se deben mantener lejos de las cavidades del cargador los materiales extraños de naturaleza conductora, entre los que se incluyen la lana de acero, el papel de aluminio o cualquier acumulación de partículas metálicas. Éstos son sólo algunos ejemplos y no constituyen una lista taxativa. Siempre desenchufe el cargador del tomacorriente cuando no haya un paquete de baterías en la cavidad. Desenchufe el cargador antes de intentar limpiarlo.

6. No congele ni sumerja el cargador en agua ni en ningún otro líquido.

⚠️ ADVERTENCIA: Riesgo de descarga eléctrica. No permita que ningún líquido entre en el cargador. *Nunca intente abrir el paquete de baterías por ningún motivo. Si la caja protectora de plástico del paquete de baterías se rompe o agrieta, devuélvala a un centro de mantenimiento para su reciclado.*

Recomendaciones de almacenamiento

1. El mejor lugar de almacenamiento es uno que sea fresco y seco, que no esté expuesto directamente a la luz del sol ni a un exceso de frío o calor.

2. Para resultados óptimos durante períodos prolongados de almacenamiento, se recomienda guardar la batería totalmente cargada en un lugar fresco y seco fuera del cargador.

NOTA: No almacene la batería en una herramienta con el interruptor de gatillo en posición encendida. No use nunca cinta adhesiva para mantener el interruptor de gatillo en la posición de ENCENDIDO.

NOTA: Las baterías no deben almacenarse totalmente descargadas. La batería deberá recargarse antes de usarse.

Procedimiento de carga

Los cargadores Black+Decker están diseñados para cargar baterías Black+Decker.

Nota: Para garantizar un rendimiento y vida útil máximos de las baterías de iones de litio:

- **Cargue la batería totalmente antes de utilizarla por primera vez.**
 - **Recargue las baterías descargadas lo más pronto posible después de cada uso.**
 - **No descargue las baterías totalmente.**
1. Enchufe el cargador en una toma de corriente apropiada antes de insertar la batería.
 2. Introduzca la batería en el cargador.
 3. La luz verde LED destellará, lo cual indica que la batería se está cargando.
 4. La terminación de la carga está indicada por la luz verde LED que permanece encendida continuamente. La batería está totalmente cargada y podrá utilizarse en este momento o dejarse en el cargador.

PERMANENCIA DE LA BATERÍA EN EL CARGADOR

El cargador y la batería pueden dejarse conectados con la LED verde encendida indefinidamente. El cargador mantendrá la batería nueva y totalmente cargada.

USO PREVISTO

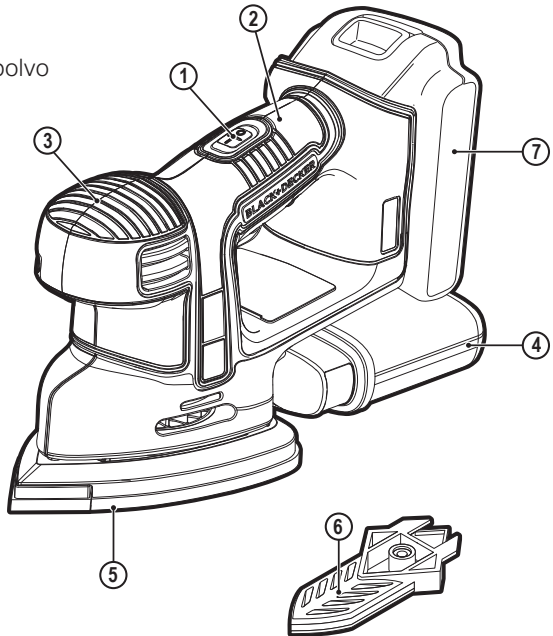
Su lijadora BLACK+DECKER BDCMS20 ha sido diseñada para lijar madera, metal, plásticos y superficies pintadas. Esta herramienta está destinada solamente al uso por particulares.

Estos productos utilizan las baterías y los cargadores indicados en el cuadro a continuación.

Descripción	N.º de catálogo
Batería de iones de litio de 20 V Máx**:	LBXR20
Batería de iones de litio de 20 V Máx**:	LBXR20BT
Batería de iones de litio Tipo 1 de 20 V Máx** y 22 Wh:	LB20
Cargador rápido de baterías de iones de litio de 2 amperios:	L2AFC
Cargador rápido de baterías de iones de litio de 2 amperios:	L2AFCBST
Cargador de baterías de iones de litio de 20 V Máx**:	LCS20
Cargador de baterías de iones de litio de 20 V Máx**:	LCS201
Cargador de baterías de iones de litio de 20 V Máx**:	LCS1620
Cargador de baterías de iones de litio de 20 V Máx**:	LCS200

DESCRIPCIÓN DE LAS FUNCIONES

1. Interruptor de encendido/apagado
2. Mango trasero
3. Mango delantero
4. Cartucho para recolección de polvo
5. Almohadilla de lijado
6. Aditamento para detalles
7. Batería



Herramientas necesarias:
destornillador de cabeza Phillips n.º 1

INSTRUCCIONES DE OPERACIÓN

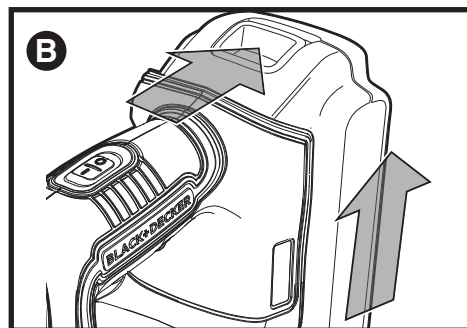
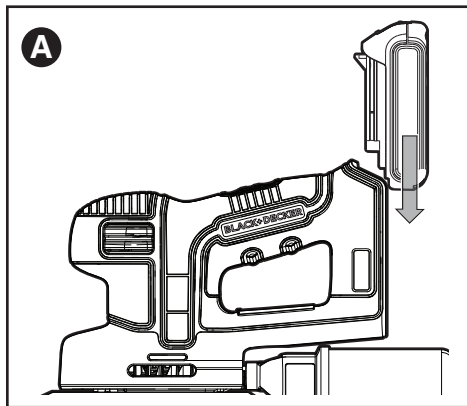
⚠ ADVERTENCIA: Para reducir el riesgo de lesiones corporales graves, lea y siga todas las advertencias e instrucciones de seguridad importantes antes de utilizar esta herramienta.

CÓMO INSTALAR Y SACAR LA BATERÍA DE LA HERRAMIENTA

⚠ ATENCIÓN: Asegúrese de que el interruptor esté apagado antes de instalar o retirar la batería.

Para instalar la batería: -Introduzca la batería (7) en la herramienta hasta que esté totalmente asentada y se oiga un clic (**figura A**). Compruebe que la batería esté bien asentada y totalmente asegurada en su sitio.

Para sacar la batería: Presione el botón de liberación de la batería en la parte de atrás de la misma y tire de la batería para sacarla de la herramienta (**figura B**).



FUNCIONAMIENTO

Nota: No apoye los dedos en la placa cuando esté usando la herramienta. Mueva la lijadora con desplazamientos de barrido amplios a lo largo de la

superficie, dejando que la herramienta haga el trabajo. Solo se requiere una presión ligera para lijar, pulir o restregar. Una presión excesiva ralentizará la herramienta y producirá resultados inferiores. Compruebe su trabajo a menudo, el producto puede retirar material rápidamente.

⚠ ADVERTENCIA: Riesgo de descarga eléctrica. Este producto no debería usarse cerca de agua en ninguna circunstancia.

⚠ ATENCIÓN: Para reducir el riesgo de lesiones, apague la herramienta y saque la batería antes de realizar ajustes o de extraer o instalar accesorios.

ENCENDIDO Y APAGADO

- Para encender la herramienta, presione el interruptor de encendido/apagado (1) hacia la posición delantera **I**.
- Para apagar la herramienta, presione el interruptor de encendido/apagado (1) hacia la posición trasera **O**.

INSTALACIÓN DE LAS HOJAS DE LIJADO (FIG. C)

- Sujete la herramienta con la base de lijado mirando hacia arriba.
- Coloque la hoja de papel de lija (8) en la base de lijado, asegurándose de que los orificios de la hoja se alineen con los orificios de la base.

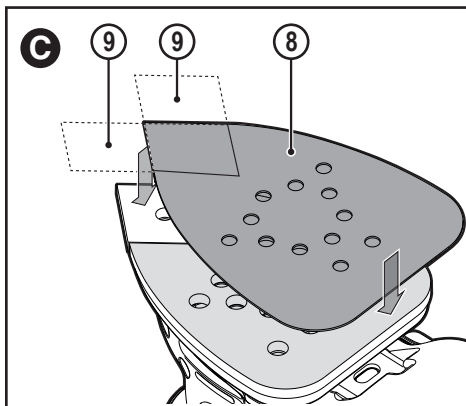
INSTALACIÓN DE LAS PUNTAS PARA LIJADO (FIG. C)

- Separe las dos puntas con forma de diamante adicionales (9) de la hoja de lijado (8).

Nota: Puede darse la vuelta a la punta con forma de diamante (10) y cambiarse cuando esté desgastada.

- Cuando la parte delantera de la punta (9) esté desgastada, sepárela de la hoja, dele la vuelta y presiónela de nuevo sobre la base de lijado.
- Cuando la punta entera se haya desgastado, retírela de la base de lijado y cámbiela por una punta nueva.

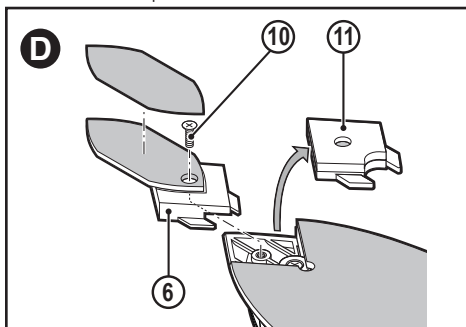
Nota: Para una recolección óptima del polvo, asegúrese de utilizar el tipo correcto de papel de lija.



ACCESORIO TIPO DEDO (FIG. D - ACCESORIO OPCIONAL)

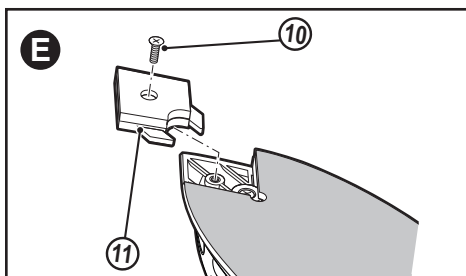
El accesorio tipo dedo se utiliza para lijado de detalles a precisión.

- Saque el tornillo (10).
- Saque de la base la punta de la almohadilla con forma de diamante (11).
- Instale el accesorio tipo dedo (6) sobre la base de lijado, como se muestra en la **Figura D**.
- Instale y ajuste el tornillo.
- Alinee la hoja de lijado apropiada con el accesorio tipo dedo.



CAMBIO DE LA PUNTA CON FORMA DE DIAMANTE (FIG. E)

- Cambie la punta con forma de diamante (11).
- Cambie y ajuste el tornillo (10).



INSTALACIÓN Y EXTRACCIÓN DEL DEPÓSITO PARA POLVO (FIG. F)

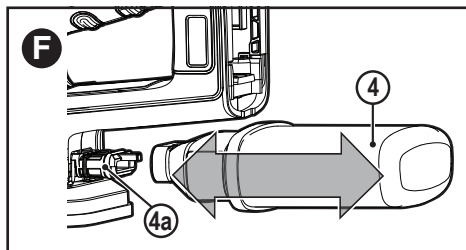
⚠ ATENCIÓN: Para reducir el riesgo de lesiones, apague la herramienta y saque la batería antes de realizar ajustes o de extraer o instalar accesorios.

⚠ ATENCIÓN: Peligro para las vías respiratorias. Nunca opere esta herramienta para **lijar madera** sin que el depósito para polvo esté en su lugar. El polvo que se produce al lijar puede crear un peligro de inhalación.

⚠ ADVERTENCIA: Peligro de incendio. El polvo acumulado que se produce al lijar los revestimientos de las superficies (poliuretano, aceite de lino, etc.) puede iniciar una combustión espontánea dentro del depósito para polvo de la lijadora o en algún otro lugar y ocasionar un incendio. Para reducir este riesgo, vacíe el depósito frecuentemente y siga estrictamente las instrucciones del manual de la lijadora y del fabricante del revestimiento.

⚠ ADVERTENCIA: Peligro de incendio. Al trabajar sobre superficies de metal, no utilice el depósito para polvo ni una aspiradora debido a que se originan chispas. Utilice gafas de seguridad y una máscara para polvo. Debido al riesgo de incendio, no utilice la lijadora para lijar superficies de magnesio. No la utilice para lijar superficies húmedas.

- El depósito para recolección de polvo (4) debe vaciarse después de cada 10 minutos de lijado.
- Deslice el depósito para polvo (4) en el conector (4a) y asegúrese de que esté ubicado firmemente.
- Para sacar el depósito para polvo, tire de él hacia atrás y lejos del extremo trasero de la herramienta.



CONSEJOS PARA UN USO ÓPTIMO

⚠ ADVERTENCIA: Deje que la herramienta funcione a su propio ritmo. No la sobrecargue.

- No coloque las manos sobre las ranuras de ventilación.


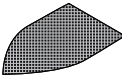
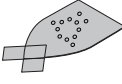
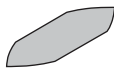
- No ejerza demasiada presión sobre la herramienta.
- Revise el estado de la hoja de lijado periódicamente. Reemplácela cuando sea necesario.
- Siempre lije con la veta de la madera.
- Cuando lije capas nuevas de pintura antes de aplicar otra capa, utilice grano extra fino.
- Sobre superficies muy disperejas o cuando retire capas de pintura, comience con un grano grueso. En otras superficies, comience con un grano mediano. En ambos casos, cambie gradualmente a un grano fino para un acabado liso.
- Al lijar sobre una superficie vertical, sostenga el mango trasero (2) para un mejor agarre y control.

ACCESORIOS

Una variedad de accesorios Mouse® están a su disposición por un costo adicional. Las listas pueden variar entre un comercio y otro. Nota: Utilice solamente papel de lija con orificios que tengan la misma configuración que los de la base de la lijadora. El papel de lija sin orificios no permitirá que el polvo entre al depósito.

La almohadilla con velcro y las bases individuales son piezas reemplazables. Si se desgastan, contacte con su centro de servicio local. Para obtener más ayuda llame al: 1-800-544-6986

⚠ ADVERTENCIA: El uso de cualquier accesorio no recomendado para utilizarse con esta herramienta podría ser peligroso.

Artículo	Descripción
	Accesorio tipo dedo para detalles. Para áreas pequeñas de difícil acceso. El accesorio tipo dedo para detalles puede utilizarse para lijado ligero o lijado en esquinas. (Pieza número - X3214-XJ)
	Malla para lijado de grano 240. Para un acabado fino para lijado de detalles grandes. (Pieza número - X39132-XJ) Malla para lijado de grano 120. Para un acabado medio para lijado de detalles grandes. (Pieza número - X39127-XJ) Malla para lijado de grano 80. Para un acabado grueso para lijado de detalles grandes. (Pieza número - X39122-XJ)
	Hoja de lijado para detalles grandes de grano 240 con dos puntas de repuesto. Para un acabado fino para lijado de detalles grandes. (Pieza número - X31019-XJ) Hoja de lijado para detalles grandes de grano 120 con dos puntas de repuesto. Para un acabado medio para lijado de detalles grandes. (Pieza número - X31009-XJ) Hoja de lijado para detalles grandes de grano 60 con dos puntas de repuesto. Para un acabado grueso para lijado de detalles grandes. (Pieza número - X31039-XJ)
	Hoja de lijado de accesorio tipo dedo para detalles de grano 120. Para un acabado medio para lijado de detalles. (Pieza número - X3277-XJ)

ACCESORIOS

Los accesorios que se recomiendan para la herramienta están disponibles en su distribuidor local o en el centro de servicio autorizado. Si necesita ayuda con respecto a los accesorios, llame al: **1-800-544-6986**.

⚠ ADVERTENCIA: El uso de accesorios no recomendados para utilizar con esta herramienta puede resultar peligroso.

REEMPLAZO DE LAS ETIQUETAS DE ADVERTENCIA

Si sus etiquetas de advertencia se vuelven ilegibles o faltan, llame al (888) 848-5175 para que se las reemplacen gratuitamente.

AMÉRICA LATINA: esta garantía no se aplica a los productos que se venden en América Latina. Para los productos que se venden en América Latina, debe consultar la información de la garantía específica del país que viene en el empaque, llamar a la compañía local o visitar el sitio Web a fin de obtener esa información.

INFORMACIÓN DE MANTENIMIENTO

Todos los Centros de servicio de BLACK+DECKER cuentan con personal altamente capacitado dispuesto a brindar a todos los clientes un servicio

eficiente y confiable en la reparación de herramientas eléctricas. Si necesita consejo técnico, reparaciones o piezas de repuesto originales de fábrica, pongase en contacto con el centro de servicio de BLACK+DECKER más cercano a su domicilio. Para ubicar su centro de servicio local, llame al **1-800-544-6986** o visite nuestro sitio www.blackanddecker.com.

El sello RBRC®

El sello RBRC®

(Rechargeable Battery Recycling Corporation) en las baterías (unidades de batería) de níquel cadmio, níquel e hidruro metálico o de iones de litio indica que el costo de reciclaje de estas baterías (o unidades de batería) al llegar al final de su vida de servicio ya ha sido pagado por BLACK+DECKER. En algunas áreas, es ilegal depositar baterías de níquel cadmio, níquel e hidruro metálico o de iones de litio gastadas en la basura o la corriente de residuos sólidos urbanos; el programa Call 2 Recycle® proporciona una alternativa ecológica.

Call 2 Recycle, Inc., en cooperación con BLACK+DECKER y otros usuarios de baterías, han establecido programas en los Estados Unidos y Canadá para facilitar la recolección de baterías de níquel cadmio, níquel e hidruro metálico o de iones de litio gastadas. Al llevar sus baterías de níquel cadmio, níquel e hidruro metálico y de iones de litio gastadas a un centro de servicio autorizado por BLACK+DECKER o al minorista local para que sean recicladas, ayuda a proteger el medio ambiente y a conservar recursos naturales. También puede comunicarse con el centro de reciclaje de su localidad para mayor información sobre dónde llevar sus baterías gastadas. RBRC® es una marca comercial registrada de Call 2 Recycle, Inc.

Este aparato digital Clase B cumple con la norma canadiense ICES-003.

Este mecanismo cumple con la parte 15 de las normas de la Comisión Federal de Comunicaciones de Estados Unidos (FCC). La operación está sujeta a las dos condiciones siguientes: (1) Este mecanismo posiblemente no cause interferencia perjudicial; y (2) este mecanismo puede aceptar cualquier interferencia recibida, incluso interferencia que podría provocar una operación no deseada.

NOTA: Este equipo ha sido probado y se encontró que cumple con los límites para dispositivo digital Clase B, según la parte 15 de las normas de la FCC.

Estos límites están diseñados para brindar protección razonable contra interferencia perjudicial en una instalación residencial. Este equipo genera, usa y puede irradiar energía en frecuencia de radio y, si no se instala y se usa de acuerdo con las instrucciones, puede provocar interferencia perjudicial en las comunicaciones de radio. Sin embargo, no hay garantía de que la interferencia no ocurra en una instalación en particular. Si este equipo provoca interferencia perjudicial en la recepción de radio o televisión, lo que se puede determinar al apagar y encender el equipo, el usuario debe tratar de corregir la interferencia mediante una o más de las siguientes medidas:

- Cambiar la orientación o la ubicación de la antena de recepción.
- Aumentar la separación entre el equipo y el receptor.
- Conectar el equipo a un tomacorriente sobre un circuito diferente de aquel al que está conectado el receptor.
- Consultar al vendedor o pedir la ayuda de un técnico en radio y televisión con experiencia.

Los cambios o las modificaciones que se le realicen a esta unidad sin aprobación expresa del tercero responsable del cumplimiento pueden anular la autorización del usuario para operar el equipo. Este aparato digital de la clase B se conforma con ICES-003 canadiense.



DETECCIÓN DE PROBLEMAS

Problema	Causa posible	Solución posible
<ul style="list-style-type: none"> • La herramienta no funcionará. 	<ul style="list-style-type: none"> • El paquete de baterías no está bien instalado. • El paquete de baterías no está cargado. 	<ul style="list-style-type: none"> • Controle la instalación del paquete de baterías. • Verifique los requisitos de carga del paquete de baterías.
<ul style="list-style-type: none"> • El paquete de baterías no carga. 	<ul style="list-style-type: none"> • El paquete de baterías no está insertado en el cargador. • El cargador no está enchufado. 	<ul style="list-style-type: none"> • Inserte el paquete de baterías en el cargador hasta (LED) que se encienda la luz verde • Enchufe el cargador en un tomacorriente que funcione. Consulte “Notas importantes sobre la carga” para conocer más detalles.
	<ul style="list-style-type: none"> • Temperatura ambiental. 	<ul style="list-style-type: none"> • Traslade el cargador y la batería a una temperatura ambiental que esté por encima de 40 °F (4.5 °C) o por debajo de 105 °F (+40.5 °C).
<ul style="list-style-type: none"> • La unidad se apaga repentinamente. 	<ul style="list-style-type: none"> • El paquete de baterías alcanzó • No tiene más carga. (Para maximizar la vida útil del paquete de baterías, este está diseñado para apagarse repentinamente cuando no tiene más carga). 	<ul style="list-style-type: none"> • Espere que el paquete de baterías el límite térmico máximo. se enfríe. • Colóquelo en el cargador para que se cargue.

Para conocer la ubicación del centro de mantenimiento más cercano a fin de recibir ayuda con su producto, visite nuestro sitio Web www.blackanddecker.com.mx o llame a la línea de ayuda BLACK+DECKER al **01 800 847 2309/01 800 847 2312**.

APLICACIÓN /MATRIZ DE ACCESORIOS

ACCESORIO

Papel de lija de grano mediano
 Papel de lija de grano fino
 Papel de lija de grano extra fino
 Puntas para lijado de detalles
 1 Lana para pulir / remover
 4 Lana para pulir fino
 almohadilla de esponja gris
 almohadilla blanca no tejida
 almohadilla roja no tejida

APLICACIONES / USOS RECOMENDADOS

Pintura, barniz, eliminación de óxido
 Acabado de superficies
 Lijado entre capas de pintura o barniz
 Esquinas / sitios de difícil acceso
 Pulir metales / remover barniz o uretano
 Pulido fino, acabado satín sobre pintura / barniz / uretano
 aplicar y remover pulimento
 restregado ligero
 restregado pesado / eliminación de óxido

Las almohadillas descritas más arriba pueden estar disponibles en kits donde se vendan los productos Mouse[®].
 Para más información llame al 1-800-544-6986.

GARANTÍA LIMITADA DE DOS AÑOS

Black & Decker (U.S.) Inc. garantiza que este producto está libre de defectos de material o mano de obra durante un período de dos (2) años desde la fecha de compra, siempre y cuando el producto se utilice en un entorno doméstico. Esta garantía limitada no cubre contra fallas debidas a mal uso, daño accidental o cuando se han realizado o intentado reparaciones por parte de cualquier otra persona ajena a Black+Decker y sus centros de mantenimiento autorizados. Un producto defectuoso que cumple con las condiciones de la garantía establecidas en el presente documento será reemplazado o reparado sin costo de una dos maneras:

La primera, que únicamente dará lugar a intercambios, consiste en devolver el producto al comerciante minorista donde fue comprado (siempre y cuando la tienda sea un comerciante minorista participante). Las devoluciones deben realizarse dentro del período establecido en la política para intercambios del comerciante minorista. Es posible que se requiera el comprobante de compra. Consulte al comerciante minorista sobre su política específica de devoluciones con respecto a los límites de tiempo para devoluciones o intercambios.

La segunda opción es llevar o enviar (pagado por adelantado) el producto a un centro de mantenimiento de propiedad o con autorización de Black+Decker para su reparación o reemplazo a discreción de Black+Decker. Es posible que se requiera un comprobante de compra. Los centros de mantenimiento de propiedad o con autorización de Black+Decker en línea en www.blackanddecker.com.

Esta garantía no se aplica a los accesorios. Esta garantía le otorga derechos legales específicos y es posible que tenga otros derechos que varían de un estado a otro. En caso de que tenga alguna pregunta, comuníquese con el gerente del centro de mantenimiento de Black+Decker más cercano a usted. Este producto no está diseñado para uso comercial y, en consecuencia, dicho uso comercial de este producto anulará la garantía. Por medio del presente documento, se declina la responsabilidad de todas las demás garantías, explícitas o implícitas.

AMÉRICA LATINA: Esta garantía no se

aplica a productos vendidos en América Latina. Para los productos que se venden en América Latina, consulte la información de garantía específica del país contenida en el empaque, llame a la compañía local o visite el sitio web para obtener dicha información.

**· GARANTÍA BLACK+DECKER · BLACK+DECKER WARRANTY
· SOLAMENTE PARA PROPOSITOS DE MEXICO**

Distributor Name · **Sello firma del distribuidor**

Date of purchase · **Fecha de compra**

Invoice No. · No. de factura

PRODUCT INFORMATION · IDENTIFICACIÓN DEL PRODUCTO

Cat. No. · **Catalogo ó Modelo**

Serial Number · No. de serie

Name · **Nombre**

Last Name · Apellido

Address · **Dirección**

City · **Ciudad**

State · Estado

Postal Code · **Código Postal**

Country · País

Telephone · **No. Teléfono**

2 AÑOS DE GARANTIA

Este producto cuenta con dos años de garantía a partir de la fecha de compra contra cualquier defecto de su funcionamiento, así como cualquier falla debido a materiales empleados para su fabricación ó mano de obra defectuosa.

Nuestra garantía incluye la reparación o reposición del producto y/o componentes sin cargo alguno para el cliente incluyendo la mano de obra, esta incluye los gastos de trasportación erogados para lograr cumplimiento de esta garantía en los domicilios diversos señalados.

Para hacer efectiva esta garantía deberá presentar su herramienta y esta póliza sellada por el establecimiento comercial donde se adquirió el producto.

Nos comprometemos a entregar el producto en un lapso no mayor a 30 días hábiles contados a partir de la fecha de recepción del mismo en nuestros talleres de servicio autorizados.

ESTA GARANTIA NO APLICA CUANDO:

El producto se hubiese utilizado en condiciones distintas a las normales.

El producto no hubiese sido operado de acuerdo con el instructivo de uso que se acompaña.

El producto hubiese sido alterado o reparado por personas no autorizadas por nosotros.

Importador: Black & Decker S.A. de .C.V

Bosque de Cidros Acceso Radiatas No.42

3ra.Seccion de Bosques de las lomas

C.P.05120, Mexico, D.F. Tel: (01 55) 5326 7100

SOLAMENTE PARA PROPOSITOS DE MEXICO

Grupo Realsa en herramientas, S.A. de C.V.

Súper Manzana 69 MZ.01
Lote 30
(Av. Torcasita)
Col. Puerto Juárez
Cancún, Quintana Roo
Tel. 01 998 884 72 27

Ferre Pat de Puebla, S.A. de C.V.

16 de Septiembre No. 6149
Col. El Cerrito
Puebla, Puebla
Tel. 01 222 264 12 12

Ferre Pat de Puebla, S.A. de C.V.

Ejército Mexicano No. 15
Col. Ejido 1ro. de Mayo
Boca del Río, Veracruz
Tel. 01 229 167 89 89

Servicio de Fabrica BLACK+DECKER, S.A. de C.V.

Lázaro Cardenas No. 18
Col. Obrera
Distrito Federal
Tel. 55 88 95 02

Representaciones Industriales Robles, S.A. de C.V.

Tezozomoc No. 89
Col. La Preciosa
Distrito Federal
Tel. 55 61 86 82

Gpo. Comercial de Htas. y Refacciones de Occidente, S.A. de C.V.

Av. La Paz No. 1779
Col. Americana, S. Juaréz
Guadalajara, Jalisco
Tel. 01 33 38 25 69 78

Herramientas y Equipos Profesionales

Av. Colón 2915 Ote.
Col. Francisco I. Madero
Monterrey, Nvo. León
Tel. 01 81 83 54 60 06

Htas. Portátiles de Chihuahua, S.A. de C.V.

Av. Universidad No. 2903
Col. Fracc. Universidad
Chihuahua, Chihuahua
Tel. 01 614 413 64 04

Fernando González Armenta

Bolivia No. 605
Col. Felipe Carrillo Puerto
Cd. Madero, Tamaulipas
Tel. 01 833 221 34 50

Perfiles y Herramientas de Morelia

Gertrudis Bocanegra No. 898
Col. Ventura Puente
Morelia, Michoacán
Tel. 01 443 313 85 50

Enrique Robles

Av. de la Solidaridad No. 12713
Col. La Pradera
Irapuato, Guanajuato
Tel. 01 462 626 67 39

Hernández Martínez Jeanette

Prolongación Corregidora
Nte. No. 1104
Col. Arboledas
Queretaro, Qro.
Tel. 01 442 245 25 80

PARA OTRAS LOCALIDADES LLAME AL 01 800 847 2309 o 01 800 847 2312.

BLACK & DECKER S.A. DE C.V.
BOSQUES DE CIDROS ACCESO RADIATAS NO. 42
COL. BOSQUES DE LAS LOMAS.
05120 MEXICO, D.F.
TEL. (01 55) 5326 7100
01 800 847 2309/01 800 847 2312