

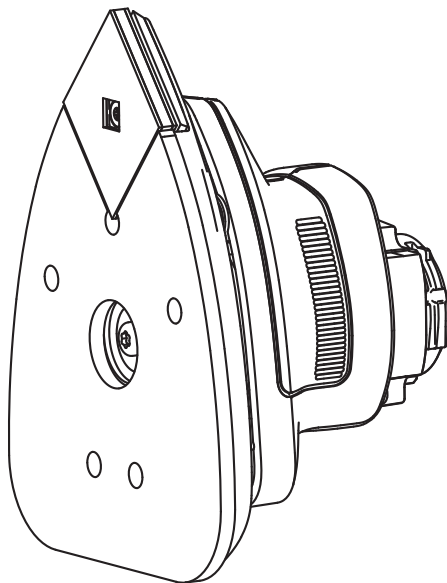
# BLACK+ DECKER™

**MATRIX™**

**SANDING  
ATTACHMENT**

**INSTRUCTION MANUAL**

**CATALOG NUMBER  
BDCMTS**



**Thank you for choosing BLACK+DECKER!**

**PLEASE READ BEFORE RETURNING THIS PRODUCT FOR ANY REASON.**

If you have a question or experience a problem with your BLACK+DECKER purchase, go to <http://www.blackanddecker.com/instantanswers>

If you can't find the answer or do not have access to the Internet, call 1-800-544-6986 from 8 a.m. to 5 p.m. EST Mon. - Fri. to speak with an agent.

Please have the catalog number available when you call.

**SAVE THIS MANUAL FOR FUTURE REFERENCE.**





VEA EL ESPAÑOL EN LA CONTRAPORTADA.

INSTRUCTIVO DE OPERACIÓN, CENTROS DE SERVICIO Y PÓLIZA DE GARANTÍA.

ADVERTENCIA: LÉASE ESTE INSTRUCTIVO ANTES DE USAR EL PRODUCTO.

To register your new product, visit  
[www.BlackandDecker.com/NewOwner](http://www.BlackandDecker.com/NewOwner)

## SYMBOL SIGNAL MEANING

-  **SAFETY ALERT SYMBOL:** Indicates **DANGER, WARNING, OR CAUTION.** May be used in conjunction with other symbols or pictographs.
-  **DANGER:** Indicates hazardous situation which, if not avoided, will result in death or serious injury.
-  **WARNING:** Indicates hazardous situation which, if not avoided, could result in death or serious injury.
-  **CAUTION:** Indicates a hazardous situation which, if not avoided, could result in minor or moderate injury or property damage.

 **WARNING:** Read all safety warnings and all instructions. *Failure to follow the warnings and instructions may result in electric shock, fire and/or serious injury.*


**Save all warnings and instructions for future reference.**

 **WARNING:** Read all safety warnings and all instructions provided with your Power Unit (BDCDMT112, BDCDMT120, or BDEDMT) before using this attachment. *Failure to follow the warnings and instructions may result in electric shock, fire and/or serious injury.*

## SPECIFIC SAFETY RULES

 **WARNING:** ALWAYS use safety glasses. Everyday eye glasses are NOT safety glasses. Also use face or dust mask if cutting operation is dusty. ALWAYS WEAR CERTIFIED SAFETY EQUIPMENT:

- ANSI Z87.1 eye protection (CAN/CPA Z94.3),
  - ANSI S12.6 (S3.19) hearing protection,
  - NOSH/OSHA respiratory protection.
- Sanding of lead-based paint is not recommended. See Sanding Lead Based Paint for additional information before sanding paint.
- Clean your tool out periodically.

 **WARNING:** Some dust created by power sanding, sawing, grinding, drilling, and other construction activities contains chemicals known to the state of California to cause cancer, birth defects or other reproductive harm. Some examples of these chemicals are:









- lead from lead-based paints,
- crystalline silica from bricks and cement and other masonry products, and
- arsenic and chromium from chemically-treated lumber.

Your risk from these exposures varies, depending on how often you do this type of work. To reduce your exposure to these chemicals: work in a well ventilated area, and work with approved safety equipment, such as those dust masks that are specially designed to filter out microscopic particles.

- Avoid prolonged contact with dust from power sanding, sawing, grinding, drilling, and other construction activities. Wear protective clothing and wash exposed areas with soap and water. Allowing dust to get into your mouth, eyes, or lay on the skin may promote absorption of harmful chemicals.

## SYMBOLS

The label on your tool may include the following symbols. The symbols and their definitions are as follows:

V.....volts	A.....amperes
Hz.....hertz	W.....watts
min .....minutes	~ or AC.....alternating current
— or DC..direct current	n <sub>0</sub> .....no load speed
 .....Class I Construction (grounded)	 .....earthing terminal
 .....Class II Construction (double insulated)	 .....safety alert symbol
 .....Read instruction manual before use	...../min or rpm...revolutions or reciprocation per minute
 .....Use proper eye protection	 .....Use proper respiratory protection
	 .....Use proper hearing protection

- When using an extension cord, be sure to use one heavy enough to carry the current your product will draw. An undersized cord will cause a drop in line voltage resulting in loss of power and overheating. The following table shows the correct size to use depending on cord length and nameplate ampere rating. If in doubt, use the next heavier gauge. The smaller the gauge number, the heavier the cord.

Volts	Minimum Gauge for Cord Sets				
	Total Length of Cord in Feet				
120V	0-25	26-50	51-100	101-150	
	(0-7,6m)	(7,6-15,2m)	(15,2-30,4m)	(30,4-45,7m)	
240V	0-50	51-100	101-200	201-300	
	(0-15,2m)	(15,2-30,4m)	(30,4-60,9m)	(60,9-91,4m)	
Ampere Rating		American Wire Gauge			
More Than	Not more Than				
0 - 6	18	16	16	14	14
6 - 10	18	16	14	12	12
10 - 12	16	16	14	12	12
12 - 16	14	12	Not Recommended		

## SAVE THESE INSTRUCTIONS

### ⚠ Safety Warnings and Instructions

- ALWAYS WEAR EYE AND RESPIRATORY PROTECTION.**
- Clean your tool out periodically.

### ⚠ OTHER IMPORTANT SAFETY WARNINGS AND INSTRUCTIONS

#### LEAD BASED PAINT

Sanding of lead based paint is NOT RECOMMENDED due to the difficulty of controlling the contaminated dust. The greatest danger of lead poisoning is to children and pregnant women.

Since it is difficult to identify whether or not a paint contains lead without a chemical analysis, we recommend the following precautions when sanding any paint:

#### PERSONAL SAFETY

- No children or pregnant women should enter the work area where the paint sanding is being done until all clean up is completed.
- A dust mask or respirator should be worn by all persons entering the work area. The filter should be replaced daily or whenever the wearer has difficulty breathing.  
**NOTE:** Only those dust masks suitable for working with lead paint dust and fumes should be used. Ordinary painting masks do not offer this protection. See your local hardware dealer for the proper (NIOSH approved) mask.
- NO EATING, DRINKING or SMOKING should be done in the work area to prevent ingesting contaminated paint particles. Workers should wash and clean up BEFORE eating, drinking or smoking. Articles of food, drink, or smoking should not be left in the work area where dust would settle on them.

#### ENVIRONMENTAL SAFETY

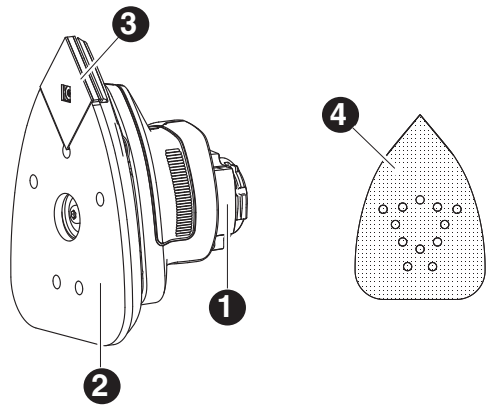
- Paint should be removed in such a manner as to minimize the amount of dust generated.
- Areas where paint removal is occurring should be sealed with plastic sheeting of 4 mils thickness.
- Sanding should be done in a manner to reduce tracking of paint dust outside the work area.

#### CLEANING AND DISPOSAL

- All surfaces in the work area should be vacuumed and thoroughly cleaned daily for the duration of the sanding project. Vacuum filter bags should be changed frequently.
- Plastic drop cloths should be gathered up and disposed of along with any dust chips or other removal debris. They should be placed in sealed refuse receptacles and disposed of through regular trash pick-up procedures. During clean up, children and pregnant women should be kept away from the immediate work area.
- All toys, washable furniture and utensils used by children should be washed thoroughly before being used again.

## FUNCTIONAL DESCRIPTION

1. Sander attachment
2. Sanding base
3. Sanding base tip
4. Sanding sheet



## OPERATING INSTRUCTIONS

**⚠ WARNING: Shock hazard.** Under no circumstances should this product be used near water.

**⚠ WARNING: Risk of lacerations or burns.** Do not touch work piece or accessory immediately after operating the tool. They can become very hot. Handle carefully. Always allow accessories and work piece to cool before handling.

**⚠ WARNING: To reduce the risk of injury,** turn off and remove battery from tool or disconnect plug from power source before making any adjustments or removing or installing attachments or accessories. Remove any accessory from the attachment before removing or installing the attachment.

**NOTE:** Refer to Power Unit instruction manual before operating this tool for all safety warnings and details on installing and removing attachments.

### SANDING

Your tool is equipped with a teardrop base which allows you to use it on large flat surfaces and tight spots or corners. The pad tips may wear unevenly, depending on use. The pads are designed to allow you to interchange and /or rotate the diamond tip.

- To switch the tool on, press the **variable speed switch**. The tool speed depends on how far you press the switch.
- To switch the tool off, release the variable speed switch.

**NOTE:** This attachment only operates in the forward direction, the forward/reverse slider of the Power Unit should not be able to be switched to reverse.

**NOTE:** Do not rest fingers on platen during use. Move it in long sweeping strokes across the surface, letting it do the work. Light pressure is all that is required for sanding. Excessive pressure will slow the tool and produce inferior results. Check your work often, product is capable of removing material rapidly. Excessive force will reduce the working efficiency and cause motor overload. Replacing the sanding sheet regularly will maintain optimum working efficiency.

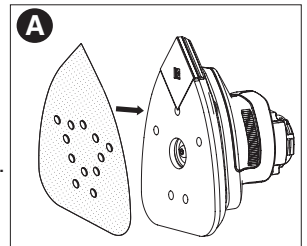
**NOTE:** Always ensure the workpiece is firmly held or clamped to prevent movement. Any movement of the material may affect the quality of the sanding finish.

### Attaching and removing sanding sheets (Figure A)

The sanding attachment uses pre-cut sanding sheets.

**⚠ WARNING: To reduce the risk of injury,** turn off and remove battery from tool or disconnect plug from power source before attaching or removing sanding sheets.

- Turn off and remove battery or disconnect tool from power source.
- To attach a sanding sheet, line it up with the sanding base as shown.
- Press the sheet firmly and evenly onto the sanding base.
- To remove the sheet, pull it off the sanding pad.



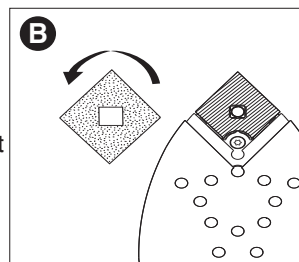
**NOTE:** Never use the sanding attachment without a sanding sheet or accessory in place. Use coarse grit paper to sand rough surfaces, medium grit for smooth surfaces, and fine grit for the finishing surfaces. If necessary, first make a test run on scrap material. Allowing the

sandpaper to wear away will damage the sanding pad.

### TIP OF THE SANDING BASE (FIGURE B)

- When the sanding base tip is worn, it can be reversed or replaced.
- Reverse or replace the worn part.

**⚠ WARNING: Fire hazard.** When working on metal surfaces, do not use a vacuum cleaner because sparks are generated. Wear safety glasses and a dustmask. Due to the danger of fire, do not use your sander to sand magnesium surfaces. Do not use for wet sanding.



### HINTS FOR OPTIMUM USE

- Do not exert too much pressure on the tool.
- Regularly check the condition of the sanding sheet. Replace when necessary.
- Always sand with the grain of the wood.
- When sanding new layers of paint before applying another layer, use extra fine grit.
- On very uneven surfaces, or when removing layers of paint, start with a coarse grit. On other surfaces, start with a medium grit. In both cases, gradually change to a fine grit for a smooth finish.
- Consult your retailer for more information on available accessories for sanding, polishing, stripping and scrubbing.

## TROUBLESHOOTING

<b><u>Problem</u></b>	<b><u>Possible Cause</u></b>	<b><u>Possible Solution</u></b>
• Unit will not start.	• Attachment is not secured.	• Make certain the attachment is fully pushed into the Power Unit.

For assistance with your product, visit our website [www.blackanddecker.com](http://www.blackanddecker.com) for the location of the service center nearest you or call the BLACK+DECKER help line at **1-800-544-6986**.

**NOTE:** Refer to Power Unit instruction manual for troubleshooting solutions regarding operation of the Power Unit.

### MAINTENANCE

Use only mild soap and damp cloth to clean the tool. Never let any liquid get inside the tool; never immerse any part of the tool into a liquid.

**IMPORTANT:** To assure product SAFETY and RELIABILITY, repairs, maintenance and adjustment (other than those listed in this manual) should be performed by authorized service centers or other qualified service personnel, always using identical replacement parts.

### ACCESSORIES

**⚠ WARNING:** The use of any accessory not recommended for use with this tool could be hazardous. Recommended accessories for use with your tool are available from your local dealer or authorized service center. If you need assistance regarding accessories, please call: 1-800-544-6986.

This device complies with part 15 of the FCC rules. Operation is subject to the following two conditions: (1) This device may not cause harmful interference, and (2) this device must accept any interference received, including interference that may cause undesired operation.

**NOTE:** This equipment has been tested and found to comply with the limits for a Class B digital device, pursuant to Part 15 of the FCC Rules. These limits are designed to provide reasonable protection against harmful interference in a residential installation. This equipment generates, uses and can radiate radio frequency energy and, if not installed and used in accordance with the instructions, may cause harmful interference to radio communications. However, there is no guarantee that interference will not occur in a particular installation.

If this equipment does cause harmful interference to radio or television reception, which can be determined by turning the equipment off and on, the user is encouraged to try to correct the interference by one or more of the following measures:

- Reorient or relocate the receiving antenna.
- Increase the separation between the equipment and receiver.
- Connect the equipment into an outlet on a circuit different from that to which the receiver is connected.
- Consult the dealer or an experienced radio/TV technician for help.

Changes or modifications to this unit not expressly approved by the party responsible for compliance could void the user's authority to operate the equipment. This Class B digital apparatus complies with Canadian ICES-003.

## SERVICE INFORMATION

All BLACK+DECKER Service Centers are staffed with trained personnel to provide customers with efficient and reliable power tool service. Whether you need technical advice, repair, or genuine factory replacement parts, contact the BLACK+DECKER location nearest you. To find your local service location, call: **1-800-544-6986** or visit **www.blackanddecker.com**

## FULL TWO-YEAR HOME USE WARRANTY

Black & Decker (U.S.) Inc. warrants this product for two years against any defects in material or workmanship. The defective product will be replaced or repaired at no charge in either of two ways. The first, which will result in exchanges only, is to return the product to the retailer from whom it was purchased (provided that the store is a participating retailer). Returns should be made within the time period of the retailer's policy for exchanges (usually 30 to 90 days after the sale). Proof of purchase may be required. Please check with the retailer for their specific return policy regarding returns that are beyond the time set for exchanges.

The second option is to take or send the product (prepaid) to a BLACK+DECKER owned or authorized Service Center for repair or replacement at our option. Proof of purchase may be required.

This warranty does not apply to accessories. This warranty gives you specific legal rights and you may have other rights which vary from state to state or province to province. Should you have any questions, contact the manager of your nearest BLACK+DECKER Service Center. This product is not intended for commercial use.

**FREE WARNING LABEL REPLACEMENT:** If your warning labels become illegible or are missing, call **1-800-544-6986** for a free replacement.

**LATIN AMERICA:** This warranty does not apply to products sold in Latin America. For products sold in Latin America, check country specific warranty information contained in the packaging, call the local company or see the website for warranty information.

Imported by:  
Black & Decker (U.S.) Inc.,  
701 E. Joppa Rd.  
Towson, MD 21286 U.S.A.



# BLACK+ DECKER™

**MATRIX™**

**MODULE DE  
PONCEUSE**

## MODE D'EMPLOI

**NUMERO DE CATALOGUE  
BDCMTS**

Merci d'avoir choisi BLACK+DECKER! Consulter le site Web [www.BlackandDecker.com/NewOwner](http://www.BlackandDecker.com/NewOwner) pour enregistrer votre nouveau produit. **À LIRE AVANT DE RETOURNER CE PRODUIT POUR QUELQUE RAISON QUE CE SOIT :**

Si des questions ou des problèmes surgissent après l'achat d'un produit BLACK+DECKER, consulter le site Web [www.blackanddecker.com/instantanswers](http://www.blackanddecker.com/instantanswers) pour obtenir des réponses instantanément 24 heures par jour. Si la réponse est introuvable ou en l'absence d'accès à l'Internet, composer le 1 800 544-6986 de 8 h à 17 h HNE, du lundi au vendredi, pour parler avec un agent. Prière d'avoir le numéro de catalogue sous la main lors de l'appel.

Pour l'achat d'un filtre de rechange composer le 1-888-678-7278  
**CONSERVER CE MODE D'EMPLOI POUR UN USAGE ULTÉRIEUR.**

Consulter le site Web [www.BlackandDecker.com/NewOwner](http://www.BlackandDecker.com/NewOwner) pour enregistrer votre nouveau produit.

## LIGNES DIRECTRICES EN MATIÈRE DE SÉCURITÉ - DÉFINITIONS

Il est important que vous lisiez et compreniez ce mode d'emploi. Les informations qu'il contient concernent VOTRE SÉCURITÉ et visent à ÉVITER TOUT PROBLÈME. Les symboles ci-dessous servent à vous aider à reconnaître cette information.

**⚠ DANGER :** Indique une situation dangereuse imminente qui, si elle n'est pas évitée, causera la mort ou des graves blessures.

**⚠ AVERTISSEMENT :** Indique une situation potentiellement dangereuse qui, si elle n'est pas évitée, pourrait causer la mort ou de graves blessures.

**⚠ MISE EN GARDE :** Indique une situation potentiellement dangereuse qui, si elle n'est pas évitée, pourrait causer des blessures mineures ou modérées.

**MISE EN GARDE :** Utilisé sans le symbole d'alerte à la sécurité, indique une situation potentiellement dangereuse qui, si elle n'est pas évitée, peut résulter en des dommages à la propriété.



**⚠ AVERTISSEMENT : Lire tous les avertissements de sécurité et toutes les directives.** Le non-respect des avertissements et des directives pourrait se solder par un choc électrique, un incendie et/ou une blessure grave.

**Conserver tous les avertissements et toutes les directives pour un usage ultérieur.**

**⚠ AVERTISSEMENT : Lire tous les avertissements de sécurité et toutes les directives fournies avec le bloc d'alimentation (BDCDMT112, BDCDMT120 ou BDEDMT) avant d'utiliser l'accessoire.** Le non-respect des avertissements et des directives peut entraîner des risques de décharge électrique, d'incendie ou de blessures graves.

## RÈGLES DE SÉCURITÉ SPÉCIFIQUES

**⚠ AVERTISSEMENT : TOUJOURS porter des lunettes de sécurité.** Les lunettes de vue ne constituent PAS des lunettes de sécurité. Utiliser également un masque facial ou anti-poussière si l'opération de découpe génère de la poussière.

**TOUJOURS PORTER UN ÉQUIPEMENT DE PROTECTION HOMOLOGUÉ :**

- protection oculaire conforme à la norme ANSI Z87.1 (CAN/CSA Z94.3);
  - protection auditive ANSI S12.6 (S3.19);
  - protection des voies respiratoires conformes aux normes NIOSH/OSHA/MSHA.
- **Le ponçage de peintures à base de plomb n'est pas recommandé.** Se reporter à la section **Mesures de précaution concernant le ponçage de peinture** Précautions à prendre pour poncer les peintures pour plus d'informations quant au ponçage des peintures.
- Nettoyer l'outil régulièrement.

**⚠ AVERTISSEMENT : certains outils électriques, tels que les sableuses, les scies, les meules, les perceuses ou certains autres outils de construction, peuvent produire de la poussière contenant des produits chimiques reconnus par l'État de la Californie comme étant susceptibles d'entraîner le cancer, des malformations congénitales ou pouvant être nocifs pour le système reproductif.** Parmi ces produits chimiques, on retrouve :

- le plomb dans les peintures à base de plomb,
- la silice cristalline dans les briques et le ciment et autres produits de maçonnerie,
- l'arsenic et le chrome dans le bois de sciage ayant subi un traitement chimique.

Le risque associé à de telles expositions varie selon la fréquence avec laquelle on effectue ces travaux. Pour réduire l'exposition à de tels produits, il faut travailler dans un endroit bien aéré et utiliser le matériel de sécurité approprié, tel un masque anti-poussières spécialement conçu pour filtrer les particules microscopiques.

- **Éviter tout contact prolongé avec la poussière soulevée par cet outil ou autres outils électriques.** Porter des vêtements de protection et nettoyer les parties exposées du corps à l'eau savonneuse. S'assurer de bien se protéger afin d'éviter d'absorber par la bouche, les yeux ou la peau des produits chimiques nocifs.

## SYMBOLES

- L'étiquette apposée sur votre outil pourrait comprendre les symboles suivants. Les symboles et leurs définitions sont indiqués ci-après :

V ..... volts

Hz ..... hertz

min ..... minutes

— ou DC .. courant continu

Ⓢ ..... Construction de classe I  
(mis à la terre)

Ⓜ ..... Construction de classe II

.../min ..... tours à la minute

👉 ..... Lire le mode d'emploi avant l'utilisation

👤 ..... Utiliser une protection respiratoire adéquate.

👁 ..... Utiliser une protection oculaire adéquate.

👂 ..... Utiliser une protection auditive adéquate.

A ..... ampères

W ..... watts

~ ou AC .. courant alternatif

n<sub>0</sub> ..... sous vide

Ⓜ ..... borne de mise à la minute

⚠ ..... symbole d'avertissement



S'assurer que le cordon de rallonge est en bon état avant de s'en servir. Toujours utiliser un cordon de calibre approprié à l'outil; à savoir, le calibre approprié selon différentes longueurs de rallonge et fournissant la tension nécessaire à l'outil. L'utilisation d'un cordon de calibre inférieur entraîne une baisse de tension et la surchauffe de l'outil. Consulter le tableau plus bas pour connaître le calibre approprié des rallonges.

Tension		Calibre minimal des cordons de rallonge			
		Longueur totale du cordon en pieds			
120V	0-25	26-50	51-100	101-150	
	(0-7,6m)	(7,6-15,2m)	(15,2-30,4m)	(30,4-45,7m)	
240V	0-50	51-100	101-200	201-300	
	(0-15,2m)	(15,2-30,4m)	(30,4-60,9m)	(60,9-91,4m)	
Intensité (A)		Calibre moyen des fils (AWG)			
Au moins	Au plus				
0	- 6	18	16	16	14
6	- 10	18	16	14	12
10	- 12	16	16	14	12
12	- 16	14	12	Non recommandé	

## CONSERVER CES DIRECTIVES

### ⚠ MESURES DE SÉCURITÉ

- **TOUJOURS PORTER DES LUNETTES DE SÉCURITÉ.**
- Nettoyer l'outil régulièrement.

### ⚠ AUTRES MESURES DE SÉCURITÉ IMPORTANTES

#### PEINTURE À BASE DE PLOMB

IL N'EST PAS RECOMMANDÉ de poncer de la peinture à base de plomb puisqu'il est difficile d'en maîtriser la poussière contaminée. Ce genre de ponçage présente de sérieux risques d'empoisonnement au plomb pour les femmes enceintes et les enfants.

Puisqu'il est difficile de déterminer si la peinture renferme du plomb sans en faire une analyse chimique, il est conseillé de se conformer aux mesures suivantes lors du ponçage de tout type de peinture.

#### SÉCURITÉ PERSONNELLE

- Ne laisser aucun enfant ni aucune femme enceinte entrer dans la pièce où il y a ponçage de peinture jusqu'à ce que la pièce soit nettoyée.
  - Toute personne qui entre dans l'aire de travail doit porter un masque anti-poussière ou un appareil respiratoire; le filtre doit être remplacé chaque jour ou lorsque la respiration devient difficile
- REMARQUE :** seuls les masques qui protègent contre les poussières et les émanations de plomb doivent être utilisés, car les masques ordinaires n'offrent pas la protection voulue. Consulter le quincaillier local pour obtenir un masque approuvé par le niosh (national institute of occupational health and safety).
- **IL EST DÉCONSEILLÉ DE MANGER, DE BOIRE ET DE FUMER** dans la pièce de travail afin de ne pas ingérer de particules contaminées. L'utilisateur doit se laver et se nettoyer AVANT de manger, de boire ou de fumer. Il ne faut pas laisser dans la pièce de travail de la nourriture, des boissons ou des cigarettes car de la poussière pourrait se déposer sur ces articles.

#### PROTECTION DE L'ENVIRONNEMENT

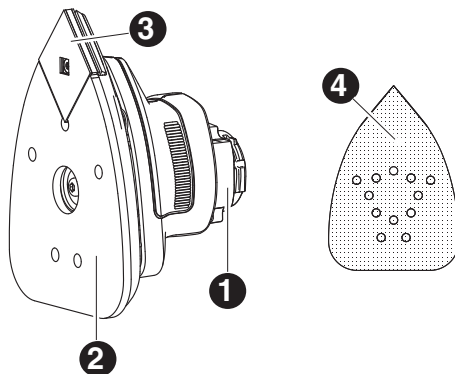
- Il faut enlever la peinture de manière à produire un minimum de poussière.
- Il faut sceller la zone de travail à l'aide de feuilles de plastique d'une épaisseur minimale de 4 mils.
- Il faut poncer de façon à réduire la propagation de la poussière hors de la pièce de travail.

#### NETTOYAGE ET DÉCHETS

- Il faut bien aspirer toutes les surfaces de la pièce de travail et les nettoyer à fond chaque jour pendant la durée des travaux. Il faut remplacer fréquemment le filtre de l'aspirateur.
- Ramasser les feuilles de plastique et les jeter avec la poussière et les autres débris dans des contenants étanches à placer avec les ordures ménagères pour l'enlèvement. Tenir les enfants et les femmes enceintes à l'écart de la zone de travail pendant les travaux de nettoyage.
- Il faut nettoyer à fond les jouets, les meubles et les ustensiles des enfants avant de les utiliser de nouveau.

## DESCRIPTION FONCTIONNELLE

1. Module de perceuse
2. Base de ponçage
3. Pointe de base de ponçage
4. Feuille de papier abrasif



## FONCTIONNEMENT

**⚠ MISE EN GARDE : Risque de choc électrique.** L'outil ne doit être utilisé près de l'eau en aucun temps.

**⚠ AVERTISSEMENT : Risque de lacérations ou de brûlures.** Ne pas toucher à la pièce ou à la lame immédiatement après avoir utilisé l'outil. En effet, elles peuvent devenir très chaudes. À manipuler avec précaution. Toujours laisser refroidir les accessoires et la pièce avant de les manipuler.

**⚠ AVERTISSEMENT : Pour réduire le risque de blessures,** éteindre l'outil et en retirer le bloc-piles ou débrancher la fiche de l'alimentation avant d'effectuer tout réglage ou de retirer ou d'installer tout module ou accessoire. Retirer tout accessoire du module avant le retrait ou l'installation du module.

**REMARQUE :** Consulter le mode d'emploi du bloc d'alimentation avant d'utiliser l'outil pour connaître tous les avertissements de sécurité et les détails au sujet de l'installation et du retrait des modules.

## PONÇAGE DE PRÉCISION

L'outil est doté d'une base en forme de goutte qui permet de l'utiliser autant sur de larges surfaces plates que dans des recoins ou endroits difficiles d'accès. Les pointes des bandes peuvent s'user inégalement, selon l'usage qu'on en fait. Les bandes sont conçues de manière à ce qu'on puisse substituer ou faire pivoter la pointe en forme de losange.

- Pour mettre l'outil en marche, appuyer sur la détente à vitesse variable. La vitesse de l'outil varie selon la pression qu'on exerce sur la détente.
- Pour éteindre l'outil, relâcher la détente à vitesse variable.

**REMARQUE :** Ce module ne fonctionne que vers l'avant. Le commutateur coulissant avant/arrière du bloc d'alimentation ne devrait pas être capable de commuter vers l'arrière.

**REMARQUE :** Ne pas poser les doigts sur la table porte-pièce en cours d'utilisation. Le déplacer en longs mouvements de va-et-vient le long de la surface en le laissant faire le travail. Il suffit d'exercer une légère pression pour poncer, polir et frotter. Un excès de pression ralentit l'outil et donne des résultats inférieurs. Surveiller souvent le travail; l'outil peut enlever rapidement le matériau. Une force excessive réduira l'efficacité de fonctionnement et entraînera une surcharge du moteur. Un remplacement régulier de la feuille de papier abrasif maintiendra une efficacité de travail optimale.

**REMARQUE :** Toujours s'assurer que la pièce est bien tenue ou serrée pour éviter son déplacement. Tout déplacement de la pièce peut compromettre la qualité du fini de ponçage.

## Retrait et fixation des feuilles de papier abrasif (Figure A)

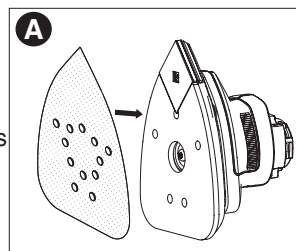
La tête de ponçage utilise des feuilles de papier abrasif prédécoupées.

**⚠ AVERTISSEMENT :** Pour réduire le risque de blessures, éteindre l'outil et en retirer le bloc-piles ou débrancher la fiche de l'alimentation avant de fixer ou de retirer des feuilles de papier abrasif.

- Éteindre l'outil et en retirer le bloc-piles ou débrancher la fiche de l'alimentation avant d'effectuer tout réglage ou de retirer ou d'installer tout module ou accessoire.

- Pour fixer la feuille de papier abrasif, l'aligner sur la base de ponçage comme dans l'illustration.
- Presser la feuille fermement et de manière homogène sur la base de ponçage.
- Pour retirer la feuille, tirer pour la détacher du patin de ponçage.

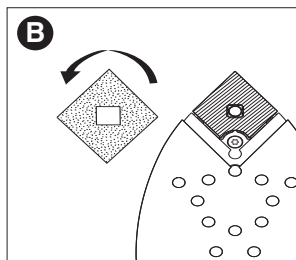
**REMARQUE :** Ne jamais utiliser la tête de ponçage si elle n'est pas munie d'une feuille de papier abrasif ou d'un accessoire. Utiliser du papier à grains grossiers pour poncer les surfaces rugueuses, du papier à grains moyens pour les surfaces lisses et du papier à grains fins pour la finition. Si nécessaire, effectuer d'abord un essai sur une pièce de chute. Laisser le papier abrasif s'user complètement endommagera le patin de ponçage.



### POINTE DE LA BASE ABRASIVE (FIGURE B)

- La base abrasive usée peut être inversée ou remplacée.
- Inverser ou remplacer la partie usée.

**⚠ AVERTISSEMENT : Danger d'incendie.** Pour le travail effectué sur des surfaces métalliques, ne pas utiliser le compartiment à poussière ou un aspirateur parce que des étincelles peuvent se produire. Porter des lunettes de sécurité et un masque anti-poussières. En raison du risque d'incendie, ne pas utiliser la ponceuse pour poncer des surfaces de magnésium. Ne pas utiliser pour ponçage à l'eau.



### CONSEILS POUR OPTIMISER L'UTILISATION

- Ne pas appliquer trop de pression sur l'outil.
- Vérifier régulièrement l'état de la feuille de papier abrasif. La remplacer au besoin.
- Toujours poncer dans le sens du grain de bois.
- Pour le ponçage de nouvelles couches de peinture avant d'appliquer une autre couche, utiliser un grain extra fin.
- Sur des surfaces très inégales ou pour enlever des couches de peinture, commencer avec un grain grossier. Sur d'autres surfaces, commencer par un grain moyen. Dans les deux cas, passer graduellement à un grain fin pour un fini lisse.
- Consulter le détaillant pour obtenir de plus amples renseignements sur les accessoires pour le ponçage, le polissage, le décapage et le lavage.

## DÉPANNAGE

### Problème

- L'appareil refuse de démarrer

### Cause possible

- Le module n'est pas solidement fixé.

### Solution possible

- S'assurer que le module est poussé entièrement dans le bloc d'alimentation.

Pour de l'aide avec l'outil, consulter notre site Web [www.blackanddecker.com](http://www.blackanddecker.com) pour l'emplacement du centre de réparation le plus près ou communiquer avec l'assistance BLACK+DECKER au **1-800-544-6986**.

**REMARQUE :** Consulter le mode d'emploi du bloc d'alimentation pour trouver des solutions de dépannage en cas de défaut de fonctionnement.

### ENTRETIEN

Nettoyer l'outil seulement à l'aide d'un savon doux et d'un linge humide. Ne laisser aucun liquide s'infiltrer dans l'outil et ne jamais immerger l'outil.

**IMPORTANT :** Pour assurer la SÉCURITÉ D'EMPLOI et la FIABILITÉ de l'outil, n'en confier la réparation, l'entretien et les rajustements qu'à un centre de service ou à un atelier d'entretien autorisé n'utilisant que des pièces de rechange identiques.

### ACCESSOIRES

**⚠ AVERTISSEMENT :** L'utilisation de tout accessoire non recommandé pour l'outil peut être dangereuse.

Les détaillants et le centre de service de la région vendent les accessoires recommandés pour l'outil. Pour trouver un accessoire, composer le **1 800 544-6986**.

Cet appareil est conforme aux dispositions du paragraphe 15 des règlements de la FCC. Son fonctionnement est régi par les deux conditions suivantes : (1) Cet appareil ne peut pas causer d'interférence nuisible et (2) cet appareil doit accepter toutes les interférences reçues, y compris celles qui risquent d'en gêner le fonctionnement.

**REMARQUE** : ce matériel a été testé et a été déclaré conforme aux limites en vigueur concernant les dispositifs numériques de classe B, en vertu de la partie 15 de la réglementation FCC. Ces limites visent à assurer une protection raisonnable contre tout brouillage nuisible dans une installation résidentielle. Ce matériel produit, consomme et peut émettre une énergie de radiofréquence et, s'il n'est pas installé et utilisé conformément aux directives qui l'accompagnent, il peut entraîner un brouillage nuisible des communications radio. Cependant, nous ne garantissons pas l'absence de brouillage dans tous les types d'environnement. Si, après avoir effectué une vérification en mettant l'appareil hors tension puis sous tension, l'utilisateur s'aperçoit que ce matériel provoque un brouillage nuisible à la réception des signaux de radio ou de télévision, il lui faudra essayer de corriger ce brouillage en prenant une ou plusieurs des mesures ci-dessous :

- Réorienter ou repositionner l'antenne de réception.
- Éloigner le plus possible le matériel du récepteur.
- Brancher le matériel dans une prise électrique située sur un circuit différent de celui du récepteur.
- Consulter le distributeur ou un technicien radio/télévision expérimenté pour obtenir de l'aide.

Tout changement ou toute modification à cet appareil qui n'est pas expressément approuvé par l'institution responsable de la conformité peut faire annuler le droit de l'utilisateur d'utiliser ce matériel. Cet appareil numérique de la classe B est conforme à la norme NMB-003 du Canada.

### INFORMATION SUR LES RÉPARATIONS

Tous les centres de réparation BLACK+DECKER sont dotés de personnel qualifié en matière d'outillage électrique; ils sont donc en mesure d'offrir à leur clientèle un service efficace et fiable. Que ce soit pour un avis technique, une réparation ou des pièces de rechange authentiques installées en usine, communiquer avec l'établissement BLACK+DECKER le plus près de chez vous. Pour trouver l'établissement de réparation de votre région, composer le numéro suivant : **1-800-544-6986** ou consulter le site [www.blackanddecker.com](http://www.blackanddecker.com)

### GARANTIE COMPLÈTE DE DEUX ANS POUR UNE UTILISATION DOMESTIQUE

Black & Decker (É.-U.) Inc. garantit ce produit pour une durée de deux ans contre tout défaut de matériau ou de fabrication. Le produit défectueux sera remplacé ou réparé sans frais de l'une des deux façons suivantes :

La première façon consiste en un simple échange chez le détaillant qui l'a vendu (pourvu qu'il s'agisse d'un détaillant participant). Tout retour doit se faire durant la période correspondant à la politique d'échange du détaillant (habituellement, de 30 à 90 jours après l'achat). Une preuve d'achat peut être requise. Vérifier auprès du détaillant pour connaître sa politique concernant les retours hors de la période définie pour les échanges.

La deuxième option est d'apporter ou d'envoyer le produit (transport payé d'avance) à un centre de réparation autorisé ou à un centre de réparation de BLACK+DECKER pour faire réparer ou échanger le produit, à notre discrétion. Une preuve d'achat peut être requise.

Cette garantie ne s'applique pas aux accessoires. Cette garantie vous accorde des droits légaux spécifiques et vous pourriez avoir d'autres droits qui varient d'un État ou d'une province à l'autre. Pour toute question, communiquer avec le directeur du centre de réparation BLACK+DECKER le plus près de chez vous. Ce produit n'est pas destiné à un usage commercial.

**REMPLACEMENT GRATUIT DES ÉTIQUETTES D'AVERTISSEMENT** : si les étiquettes d'avertissement deviennent illisibles ou sont manquantes, composer le **1-800-544-6986** pour en obtenir le remplacement gratuit.

**AMÉRIQUE LATINE** : cette garantie ne s'applique pas aux produits vendus en Amérique latine. Pour ceux-ci, veuillez consulter les informations relatives à la garantie spécifique présente dans l'emballage, appeler l'entreprise locale ou consulter le site Web pour les informations relatives à cette garantie.

Imported by / Importé par  
Black & Decker Canada Inc.  
100 Central Ave.  
Brockville (Ontario) K6V 5W6

# BLACK+ DECKER™

**MATRIX™**

**ADITAMENTO DE  
LIJADORA**

## MANUAL DE INSTRUCCIONES

CATÁLOGO N°  
**BDCMTS**

Gracias por elegir BLACK+DECKER!

Visite [www.BlackandDecker.com/NewOwner](http://www.BlackandDecker.com/NewOwner) para registrar su nuevo producto.  
**LEA EL MANUAL ANTES DE DEVOLVER ESTE PRODUCTO POR CUALQUIER MOTIVO:**

Si tiene una consulta o algún inconveniente con su producto BLACK+DECKER, visite <http://www.blackanddecker.com/instantanswers> para obtener respuestas instantáneas las 24 horas del día.

Si no encuentra la respuesta o no tiene acceso a Internet, llame al 1-800-544-6986 de lunes a viernes de 8 a. m. a 5 p. m. hora del Este para hablar con un agente.

Cuando llame, tenga a mano el número de catálogo.

Para comprar un filtro de repuesto llame al 1-888-678-7278.

**CONSERVE ESTE MANUAL PARA FUTURAS CONSULTAS.  
SÓLO PARA USO DOMÉSTICO.**

Visite [www.BlackandDecker.com/NewOwner](http://www.BlackandDecker.com/NewOwner)  
para registrar su nuevo producto.

## PAUTAS DE SEGURIDAD/DEFINICIONES

Es importante que lea y comprenda este manual. La información que contiene se relaciona con la protección de SU SEGURIDAD y la PREVENCIÓN DE PROBLEMAS. Los símbolos que siguen se utilizan para ayudarlo a reconocer esta información.

- ⚠ **PELIGRO:** indica una situación de peligro inminente que, si no se evita, provocará la muerte o lesiones graves.
- ⚠ **ADVERTENCIA:** indica una situación de peligro potencial que, si no se evita, provocará la muerte o lesiones graves.
- ⚠ **PRECAUCION:** indica una situación de peligro potencial que, si no se evita, provocará lesiones leves o moderadas.

**PRECAUCION:** utilizado sin el símbolo de alerta de seguridad indica una situación de peligro potencial que, si no se evita, puede provocar daños en la propiedad.

**⚠ ADVERTENCIA:** Lea todas las advertencias de seguridad e instrucciones. El incumplimiento de las advertencias e instrucciones puede provocar descargas eléctricas, incendios o lesiones graves.

Conserve todas las advertencias e instrucciones para futuras consultas.

**⚠ ADVERTENCIA:** Lea todas las advertencias de seguridad y todas las instrucciones que vienen con la unidad motriz (BDCDMT112, BDCDMT120 o BDEDMT) antes de utilizar este accesorio. El incumplimiento de las advertencias e instrucciones puede provocar una descarga eléctrica, un incendio y/o lesiones graves.

## NORMAS DE SEGURIDAD ESPECÍFICAS

**⚠ ADVERTENCIA:** USE SIEMPRE LENTES DE SEGURIDAD. Los anteojos de uso diario NO son lentes de seguridad. Utilice también máscaras faciales o para polvo si el corte produce polvillo. UTILICE SIEMPRE EQUIPOS DE SEGURIDAD

### CERTIFICADOS:

- Protección para los ojos según la norma ANSI Z87.1 (CAN/CSA Z94.3)
- Protección auditiva según la norma ANSI S12.6 (S3.19)
- Protección respiratoria según las normas NIOSH/OSHA/MSHA
- No se recomienda el lijado de pintura con base de plomo. Ver Precauciones para el lijado de pintura para mayor información antes de lijar pintura.
- Limpie su herramienta periódicamente.

**⚠ AVERTISSEMENT :** certains outils électriques, tels que les sableuses, les scies, les meules, les perceuses ou certains autres outils de construction, peuvent produire de la poussière contenant des produits chimiques reconnus par l'État de la Californie comme étant susceptibles d'entraîner le cancer, des malformations congénitales ou pouvant être nocifs pour le système reproductif. Parmi ces produits chimiques, on retrouve :

- le plomb dans les peintures à base de plomb,
- la silice cristalline dans les briques et le ciment et autres produits de maçonnerie,
- l'arsenic et le chrome dans le bois de sciage ayant subi un traitement chimique.

Le risque associé à de telles expositions varie selon la fréquence avec laquelle on effectue ces travaux. Pour réduire l'exposition à de tels produits, il faut travailler dans un endroit bien aéré et utiliser le matériel de sécurité approprié, tel un masque

anti-poussières spécialement conçu pour filtrer les particules microscopiques.

- Éviter tout contact prolongé avec la poussière soulevée par cet outil ou autres outils électriques. Porter des vêtements de protection et nettoyer les parties exposées du corps à l'eau savonneuse. S'assurer de bien se protéger afin d'éviter d'absorber par la bouche, les yeux ou la peau des produits chimiques nocifs.

## SÍMBOLOS

- La etiqueta de su herramienta puede incluir los siguientes símbolos. Los símbolos y sus definiciones son los siguientes:

V..... voltios

Hz..... hertz

min..... minutos

— o DC.... corriente directa

Ⓜ..... Construcción Clase I  
(mis à la terre)

Ⓜ..... Construcción de clase II

.../min..... revoluciones o minuto seguridad

📖 ..... Lea el manual de instrucciones antes del uso

👤..... Use protección adecuada para las vías respiratorias

👁..... Use protección adecuada para los ojos

👂..... Use protección adecuada para los oídos

A..... amperios

W..... vatios

~ o AC .... corriente alterna

n<sub>o</sub> ..... no velocidad sin carga

Ⓧ..... terminal a tierra

⚠ ..... simbolo de alerta

- Cuando use un alargador, asegúrese de usar uno de un calibre suficiente como para cargar con la corriente que requerirá su producto. Un alargador de menor calibre causará una caída en el voltaje de la línea lo que resultará en pérdida de potencia y sobrecalentamiento. El siguiente cuadro muestra el tamaño correcto a utilizar, dependiendo del largo del cable y el amperaje nominal. En caso de duda, utilice el de mayor calibre. Mientras menor el número del calibre, mayor la capacidad del cable.

Volts	Calibre mínimo para cables de extensión			
	Longitud total del cable en pies			
120V	0-25	26-50	51-100	101-150
	(0-7,6m)	(7,6-15,2m)	(15,2-30,4m)	(30,4-45,7m)
240V	0-50	51-100	101-200	201-300
	(0-15,2m)	(15,2-30,4m)	(30,4-60,9m)	(60,9-91,4m)
Amperaje				
Más de		No más de		American Wire Gage
0	- 6	18	16	16 14
6	- 10	18	16	14 12
10	- 12	16	16	14 12
12	- 16	14	12	No se recomienda

## CONSERVE ESTAS INSTRUCCIONES

### ⚠ ADVERTENCIAS E INSTRUCCIONES DE SEGURIDAD

- **UTILICE SIEMPRE PROTECCIÓN RESPIRATORIA Y VISUAL ADECUADA.**
- Limpie su herramienta periódicamente.

### ⚠ Otras advertencias e instrucciones de seguridad importantes

#### LIJADO DE PINTURAS CON BASE DE PLOMO

NO SE RECOMIENDA el lijado de pinturas con base de plomo debido a la dificultad para controlar el polvo contaminado. El mayor peligro de envenenamiento por plomo es para niños y mujeres embarazadas.

Ya que es difícil identificar si una pintura contiene plomo o no sin efectuar un análisis químico, recomendamos que tenga en cuenta las siguientes precauciones cuando lije cualquier tipo de pintura:

#### SEGURIDAD PERSONAL

- No permita que entren al área de trabajo niños ni mujeres embarazadas cuando lije pintura hasta que haya terminado de asear el lugar.
- Se recomienda el uso de máscaras o respiradores para todas las personas que entren al área de trabajo. El filtro se debe reemplazar diariamente o cuando el usuario tenga dificultad para respirar.
- **NOTA:** Sólo deben utilizarse mascarar adecuadas para trabajo con polvo y vapores de pintura. Las mascarar ordinarias para pintura no ofrecen esta protección. Vea a su distribuidor de herramienta local para conseguir la máscara adecuada.
- **NO COMA, BEBA O FUME** en la zona de trabajo para evitar ingerir partículas de pintura contaminadas. Los usuarios deberán lavarse y limpiarse ANTES de comer, beber o fumar. No deben dejarse artículos para comer beber o fumar en el área de trabajo donde el polvo se asentaría en ellos.

#### SEGURIDAD AMBIENTAL

- La pintura debe removerse de tal manera que se minimice la cantidad generada de polvo.
- Se deben sellar las áreas en que se remueve pintura con láminas de plástico de 4 mils. de espesor.
- El lijado debe hacerse en tal forma que se reduzca el desalojo de pintura fuera de la zona de trabajo.

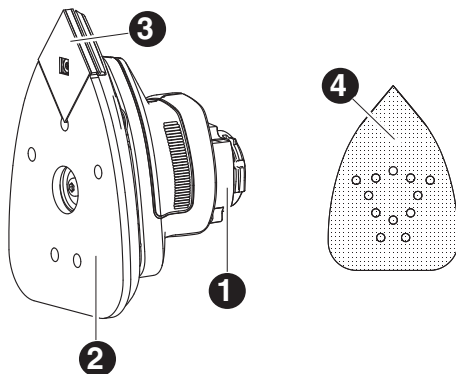
#### LIMPIEZA Y DESECHO

- Todas las superficies en el área de trabajo deben ser aspiradas y limpiadas a conciencia diariamente el tiempo que dure el proyecto de lijado. Las bolsas filtro de las aspiradoras deben cambiarse frecuentemente.
- Las láminas de plástico deben recogerse y desecharse con cualquier resto de pintura. Deben depositarse en receptáculos sellados y deben desecharse a través de los procedimientos de recolección de basura normales. Durante la limpieza, niños y mujeres embarazadas deben permanecer alejados de la zona de trabajo inmediata.
- Todo tipo de juguetes, mobiliario lavable y utensilios usados por niños deben lavarse a conciencia antes de volver a utilizarse.



## DESCRIPCIÓN DE LAS FUNCIONES

1. Aditamento de lijadora
2. Base para lijado
3. Punta para lijado
4. Hoja de lija



## OPERACIÓN

**⚠ PRECAUCIÓN: Riesgo de descarga eléctrica.** Bajo ninguna circunstancia utilice este producto cerca de agua.

**⚠ ADVERTENCIA:** Riesgo de laceraciones o quemaduras. No toque la pieza de trabajo ni la hoja inmediatamente después de hacer funcionar la herramienta. Pueden calentarse mucho. Manipúlelas con cuidado. Siempre espere a que los accesorios y la pieza de trabajo se enfríen antes de manipularlos.

**⚠ ADVERTENCIA:** Para reducir el riesgo de lesiones, apague la herramienta y quítele la batería o desconecte el enchufe de la fuente de alimentación antes de realizar cualquier ajuste o de quitar o instalar aditamentos o accesorios. Quite todo accesorio del aditamento antes de quitar o instalar el aditamento.

**NOTA:** Consulte el manual de instrucciones de la unidad motriz antes de utilizar esta herramienta para conocer todas las advertencias y detalles sobre la instalación y extracción de aditamentos.

### Lijado de detalle

Su herramienta viene equipada con una base en forma de lágrima para usar en superficies planas de gran tamaño y en sitios de difícil acceso o esquinas. Las puntas de almohadilla podrían desgastarse irregularmente, dependiendo del uso. Las almohadillas están diseñadas para poder intercambiar o girar la punta adiamantada.

- Para encender la herramienta, oprima el interruptor de velocidad variable. La velocidad de la herramienta depende de cuánto presione el interruptor.
- Para apagar la herramienta, suelte el interruptor de velocidad variable.

**NOTA:** Este aditamento funciona únicamente en la dirección de avance; no debiera ser posible cambiar a reversa el interruptor deslizante de avance/reversa de la unidad motriz.

**NOTA:** No apoye los dedos sobre la platina durante el uso. Haga movimientos grandes, barriendo la superficie, dejando que la lijadora haga el trabajo. Una presión ligera es todo lo que se requiere para lijar, pulir o tallar. La presión excesiva hará más lento el trabajo y producirá resultados con calidad inferior. Revise su trabajo con frecuencia. El producto es capaz de remover material rápidamente. El uso de fuerza excesiva reducirá la eficacia de trabajo y provocará que el motor se sobrecargue. El reemplazo periódico de la hoja de lija mantendrá una óptima eficacia de trabajo.

**NOTA:** Siempre asegúrese de que la pieza de trabajo esté firmemente sostenida o sujeta para evitar que se mueva. Cualquier movimiento del material puede afectar la calidad del acabado del lijado.

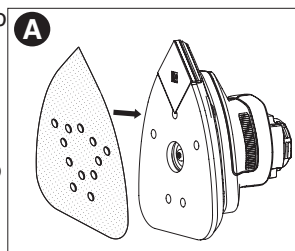
### Colocación y extracción de las hojas de lijado (Figura A)

**⚠ ADVERTENCIA:** Para reducir el riesgo de lesiones, apague la herramienta y quítele la batería o desconecte el enchufe de la fuente de alimentación antes de instalar o quitar hojas de lija.

- Apague la herramienta y quítele la batería o desconecte el enchufe de la fuente de alimentación antes de realizar cualquier ajuste o de quitar o instalar aditamentos o accesorios.

- Para colocar una hoja de lijado, alinéela con la base de lijado como se muestra.
- Presione la hoja firme y uniformemente sobre la base de lijado.
- Para quitar la hoja, sepárela de la almohadilla de lijado.

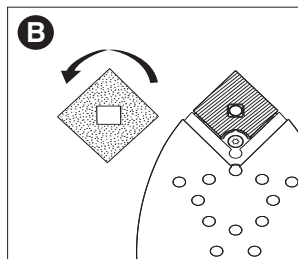
**NOTA:** Nunca utilice el cabezal de lijado sin una hoja de lijado o el accesorio en su lugar. Utilice papel de grano grueso para lijar superficies ásperas, grano medio para superficies suaves y grano fino para las superficies de acabado. Si es necesario, realice primero una aplicación de prueba sobre material desechable. Permitir que el papel de lija se desgaste por completo dañará la almohadilla de lijado.



### PUNTA DE LA BASE PARA LIJAR ( FIGURA B )

- Cuando la base para lijar está desgastada se puede poner al revés o reemplazar.
- Invierta o reemplace la parte desgastada.

⚠ **ADVERTENCIA: Riesgo de incendio.** Al trabajar sobre superficies de metal, no utilice el depósito de aserrín ni una aspiradora debido a que se originan chispas. Utilice gafas de seguridad y una máscara para polvo. Debido al riesgo de incendio, no utilice la lijadora para lijar superficies de magnesio. No utilice la herramienta para lijar superficies húmedas.



### CONSEJOS PARA UN USO ÓPTIMO

- No ejerza demasiada presión sobre la herramienta.
- Revise el estado del papel de lija periódicamente. Reemplácelo cuando sea necesario.
- Siempre lije con la veta de la madera.
- Cuando lije capas nuevas de pintura antes de aplicar otra capa, utilice grano extra fino.
- Sobre superficies muy disparejas o cuando retira capas de pintura, comience con un grano grueso. En otras superficies, comience con un grano mediano. En ambos casos, cambie gradualmente a un grano fino para un acabado liso.
- Consulte en la tienda minorista para obtener más información sobre los accesorios disponibles para lijar, pulir, decapar y fregar.

## DETECCIÓN DE PROBLEMAS

Problema	Causa posible	Solución posible
• La unidad no enciende.	• El accesorio no está asegurado.	• Asegúrese de empujar por completo el accesorio dentro de la unidad motriz.

Para recibir asistencia con su producto, visite nuestro sitio web [www.blackanddecker.com](http://www.blackanddecker.com) para conocer la ubicación del centro de mantenimiento más cercano o llame a la línea de ayuda de BLACK+DECKER al **1-800-544-6986**.

**NOTA:** Consulte el manual de instrucciones de la unidad motriz para conocer las soluciones a los problemas relacionados con la operación de la unidad motriz.

### MANTENIMIENTO

Utilice únicamente jabón suave y un trapo húmedo para limpiar la herramienta. Nunca permita que se introduzcan líquidos en la herramienta; nunca sumerja ninguna parte de la herramienta en ningún líquido. **IMPORTANTE:** Para garantizar la SEGURIDAD y la CONFIABILIDAD del producto, las reparaciones, el mantenimiento y los ajustes deberán efectuarse en centros de servicio autorizado u otras organizaciones de servicio calificado, que utilicen siempre refacciones idénticas.

### ACCESORIOS

⚠ **ADVERTENCIA:** El uso de accesorios no recomendados para utilizar con esta herramienta puede resultar peligroso.

Los accesorios que se recomiendan para la herramienta están disponibles en su distribuidor local o en el centro de servicio autorizado. Si necesita ayuda con respecto a los accesorios, llame al: **1-800-544-6986**.

Este mecanismo cumple con la parte 15 de las normas de la Comisión Federal de Comunicaciones de Estados Unidos (FCC). La operación está sujeta a las dos condiciones siguientes: (1) Este mecanismo posiblemente no cause interferencia perjudicial; y (2) este mecanismo puede aceptar cualquier interferencia recibida, incluso interferencia que podría provocar una operación no deseada.

**NOTA:** Este equipo ha sido probado y se encontró que cumple con los límites para dispositivo digital Clase B, según la parte 15 de las normas de la FCC. Estos límites están diseñados para brindar protección razonable contra interferencia perjudicial en una instalación residencial. Este equipo genera, usa y puede irradiar energía en frecuencia de radio y, si no se instala y se usa de acuerdo con las instrucciones, puede provocar interferencia perjudicial en las comunicaciones de radio. Sin embargo, no hay garantía de que la interferencia no ocurra en una instalación en particular. Si este equipo provoca interferencia perjudicial en la recepción de radio o televisión, lo que se puede determinar al apagar y encender el equipo, el usuario debe tratar de corregir la interferencia mediante una o más de las siguientes medidas:

- Cambiar la orientación o la ubicación de la antena de recepción.
- Aumentar la separación entre el equipo y el receptor.
- Conectar el equipo a un tomacorriente sobre un circuito diferente de aquel al que está conectado el receptor.
- Consultar al vendedor o pedir la ayuda de un técnico en radio y televisión con experiencia.

Los cambios o las modificaciones que se le realicen a esta unidad sin aprobación expresa del tercero responsable del cumplimiento pueden anular la autorización del usuario para operar el equipo. Este aparato digital de la clase B se conforma con ICES-003 canadiense.

## **INFORMACIÓN DE MANTENIMIENTO**

Todos los Centros de servicio de BLACK+DECKER cuentan con personal altamente capacitado dispuesto a brindar a todos los clientes un servicio eficiente y confiable en la reparación de herramientas eléctricas. Si necesita consejo técnico, reparaciones o piezas de repuesto originales de fábrica, póngase en contacto con el centro de servicio de BLACK+DECKER más cercano a su domicilio. Para ubicar su centro de servicio local, llame al **1-800-544-6986** o visite nuestro sitio [www.blackanddecker.com](http://www.blackanddecker.com).

## **GARANTÍA COMPLETA DE DOS AÑOS PARA USO EN EL HOGAR**

Black & Decker (Estados Unidos) Inc. ofrece una garantía de dos años por cualquier defecto del material o de fabricación de este producto. El producto defectuoso se reparará o reemplazará sin costo alguno de dos maneras.

La primera opción, el reemplazo, es devolver el producto al comercio donde se adquirió (siempre y cuando se trate de un comercio participante). Las devoluciones deben realizarse conforme a la política de devolución del comercio (generalmente, entre 30 y 90 días posteriores a la venta). Le pueden solicitar comprobante de compra. Consulte en el comercio acerca de la política especial sobre devoluciones una vez excedido el plazo establecido.

La segunda opción es llevar o enviar el producto (con flete pago) a un Centro de servicio propio o autorizado de BLACK+DECKER para su reparación o reemplazo según nuestro criterio. Le pueden solicitar el comprobante de compra. Esta garantía no se extiende a los accesorios.

Esta garantía le concede derechos legales específicos; usted puede tener otros derechos que pueden variar según el estado o la provincia. Si tiene alguna pregunta, comuníquese con el gerente del Centro de servicio de BLACK+DECKER de su zona. Este producto no está diseñado para uso comercial.

## **REEMPLAZO DE LAS ETIQUETAS DE ADVERTENCIA**

Si sus etiquetas de advertencia se vuelven ilegibles o faltan, llame al (888) 848-5175 para que se las reemplacen gratuitamente.

**AMÉRICA LATINA:** esta garantía no se aplica a los productos que se venden en América Latina. Para los productos que se venden en América Latina, debe consultar la información de la garantía específica del país que viene en el empaque, llamar a la compañía local o visitar el sitio Web a fin de obtener esa información.

**· GARANTÍA BLACK+DECKER · BLACK+DECKER WARRANTY  
· SOLAMENTE PARA PROPOSITOS DE MEXICO**

---

Distributor Name · **Sello firma del distribuidor**

---

Date of purchase · **Fecha de compra**

Invoice No. · **No. de factura**

---

**PRODUCT INFORMATION · IDENTIFICACIÓN DEL PRODUCTO**

Cat. No. · **Catalogo ó Modelo**

Serial Number · **No. de serie**

---

Name · **Nombre**

Last Name · **Apellido**

---

Address · **Dirección**

---

City · **Ciudad**

State · **Estado**

---

Postal Code · **Código Postal**

Country · **País**

---

Telephone · **No. Teléfono**

---

**ESTA GARANTIA NO APLICA CUANDO:**

El producto se hubiese utilizado en condiciones distintas a las normales.

El producto no hubiese sido operado de acuerdo con el instructivo de uso que se acompaña.

El producto hubiese sido alterado o reparado por personas no autorizadas por nosotros.

Importador: Black & Decker S.A. de .C.V

Bosque de Cidros Acceso Radiatas No.42

3ra.Seccion de Bosques de las lomas

C.P.05120, Mexico, D.F. Tel: (01 55) 5326 7100

## SOLAMENTE PARA PROPOSITOS DE MEXICO

### **Grupo Realsa en herramientas, S.A. de C.V.**

Súper Manzana 69 MZ.01 Lote 30  
(Av. Torcasita)  
Col. Puerto Juárez  
Cancún, Quintana Roo  
Tel. 01 998 884 72 27

### **Ferre Pat de Puebla, S.A. de C.V.**

16 de Septiembre No. 6149  
Col. El Cerrito  
Puebla, Puebla  
Tel. 01 222 264 12 12

### **Ferre Pat de Puebla, S.A. de C.V.**

Ejército Mexicano No. 15  
Col. Ejido 1ro. de Mayo  
Boca del Río, Veracruz  
Tel. 01 229 167 89 89

### **Servicio de Fabrica BLACK+DECKER, S.A. de C.V.**

Lázaro Cardenas No. 18  
Col. Obrera  
Distrito Federal  
Tel. 55 88 95 02

### **Representaciones Industriales Robles, S.A. de C.V.**

Tezozomoc No. 89  
Col. La Preciosa  
Distrito Federal  
Tel. 55 61 86 82

### **Gpo. Comercial de Htas. y Refacciones de Occidente, S.A. de C.V.**

Av. La Paz No. 1779  
Col. Americana, S. Juárez  
Guadalajara, Jalisco  
Tel. 01 33 38 25 69 78

### **Herramientas y Equipos Profesionales**

Av. Colón 2915 Ote.  
Col. Francisco I. Madero  
Monterrey, Nvo. León  
Tel. 01 81 83 54 60 06

### **Hts. Portátiles de Chihuahua, S.A. de C.V.**

Av. Universidad No. 2903  
Col. Fracc. Universidad  
Chihuahua, Chihuahua  
Tel. 01 614 413 64 04

### **Fernando González Armenta**

Bolivia No. 605  
Col. Felipe Carrillo Puerto  
Cd. Madero, Tamaulipas  
Tel. 01 833 221 34 50

### **Perfiles y Herramientas de Morelia**

Gertrudis Bocanegra No. 898  
Col. Ventura Puente  
Morelia, Michoacán  
Tel. 01 443 313 85 50

### **Enrique Robles**

Av. de la Solidaridad No. 12713  
Col. La Pradera  
Irapuato, Guanajuato  
Tel. 01 462 626 67 39

### **Hernández Martínez Jeanette**

Prolongación Corregidora Nte. No. 1104  
Col. Arboledas  
Querétaro, Qro.  
Tel. 01 442 245 25 80

**PARA OTRAS LOCALIDADES LLAME AL 01 800 847 2309 o 01 800 847 2312.**

BLACK & DECKER S.A. DE C.V.  
BOSQUES DE CIDROS ACCESO RADIATAS NO. 42  
COL. BOSQUES DE LAS LOMAS.  
05120 MÉXICO, D.F.  
TEL. (01 55) 5326 7100  
01 800 847 2309/01 800 847 2312