

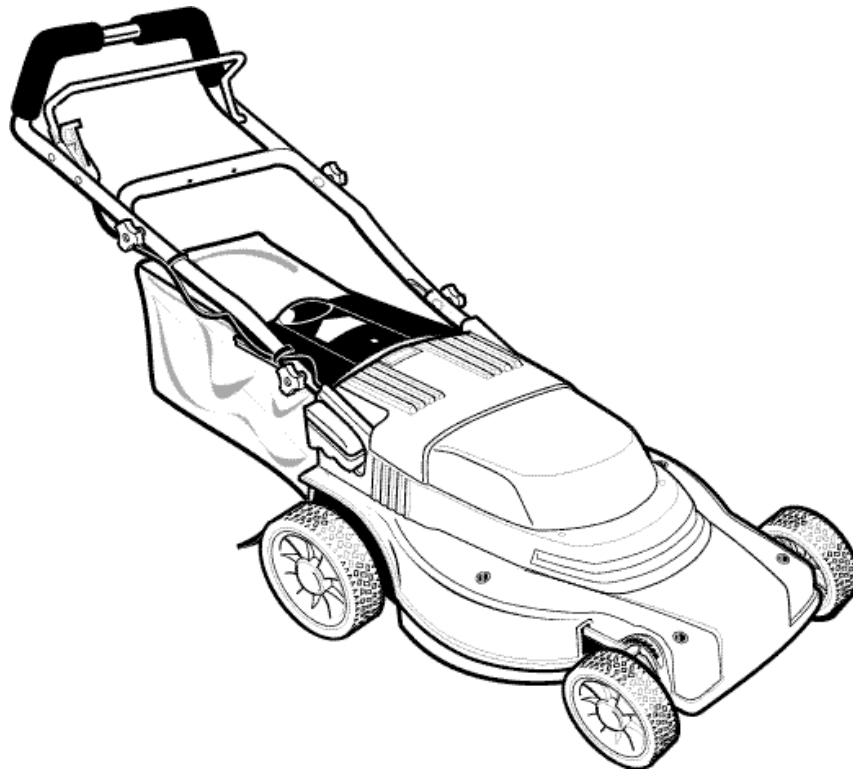


CMM1000

**19" (483mm) Cordless • Convertible •
Mulching Rear Bag Mower**

**Tondeuse-déchiqeteuse convertible sans fil à ensachage arrière de
483 mm (19 po)**

**Podadora inalámbrica convertible de 483 mm (19") con bolsa
trasera**



INSTRUCTION MANUAL GUIDE D'UTILISATION MANUAL DE INSTRUCCIONES

IMPORTANT SAFETY RULES



WARNING: When using Electric Tools, basic safety precautions should always be followed to reduce the risk of fire, electric shock, and personal injury, including the following.



WARNING: Some dust created by this product contains chemicals known to the State of California to cause cancer, birth defects or other reproductive harm. Some examples of these chemicals are:

- compounds in fertilizers
- compounds in insecticides, herbicides and pesticides
- arsenic and chromium from chemically treated lumber

To reduce your exposure to these chemicals, wear approved safety equipment such as dust masks that are specially designed to filter out microscopic particles.



WARNING: This product contains chemicals, including lead, known to the State of California to cause cancer, and birth defects or other reproductive harm. Wash hands after handling.

- **KNOW YOUR MOWER** - Read the Manual carefully. Be thoroughly familiar with the controls and the proper use of your mower.
- **AVOID DANGEROUS ENVIRONMENTS** - Don't use your mower in the rain or in damp or wet locations. Don't operate it in gaseous explosive atmospheres. Motors normally spark and the sparks might ignite fumes.
- **USE PROTECTIVE EQUIPMENT** - Wear safety spectacles or goggles while mowing (regular eyeglasses are not safety glasses). Use face or dust mask if operation is dusty. Safety spectacles are available at your B&D dealer.
- **STAY ALERT** - Watch what you are doing. Use common sense. Do not operate lawnmower when you are tired.
- **KEEP GUARDS AND SHIELDS IN PLACE** - and keep in working order.
- **GUARD AGAINST ELECTRIC SHOCK** - Repair or replace damaged cords immediately.
- **DANGER: KEEP AWAY FROM BLADE AREA** - Risk of cut - Keep hands and feet away from blade. Don't attempt to remove cut material or unclog chute when blade is moving.
- **DISCONNECT TOOL:** - Release bail handle to turn off mower, and after blade has stopped, remove safety key before making adjustments, before servicing, cleaning, transporting, lifting and when changing blade.
- **KEEP CHILDREN AWAY** - All visitors should be kept a safe distance from work area.
- **STORE IDLE LAWN MOWER INDOORS** - When not in use, tool should be stored indoors in a dry place, locked-up with safety key removed - out of reach of children.
- **DON'T FORCE THE MOWER** - It will do the job better and safest at the rate for which it was designed.
- **USE RIGHT TOOL** - Do not use tool for any job except that for which it is intended.
- **DRESS PROPERLY** - Do not wear loose clothing or jewellery. They can be caught in moving parts. Use of substantial rubber soled footwear is recommended.
- **DON'T ABUSE CORD** - Never carry charger by cord or yank it to disconnect from receptacle. Keep cord from heat, oil and sharp edges.
- **WARNING** - Do not charge outdoors or in wet or damp locations.
- **DON'T OVERREACH** - Keep proper footing and balance at all times.
- **MAINTAIN TOOLS WITH CARE** - Keep blade sharp and clean for best and safest performance. Follow instructions for changing accessories.
- **AVOID ACCIDENTAL STARTING** - Be sure switch lever and bail handle are not engaged when inserting safety key.
- **OBJECTS STRUCK BY THE LAWN MOWER BLADE** can cause severe injuries to persons. The lawn should always be carefully examined and cleared of all objects prior to each mowing.
- **USE IDENTICAL REPLACEMENT BLADES ONLY.**
- **WHEN SERVICING** - Use only identical replacement parts.
- **READ THIS INSTRUCTION MANUAL CAREFULLY.** Be thoroughly familiar with the controls and the proper use of the equipment.
- **NEVER ALLOW CHILDREN TO OPERATE A POWER MOWER.**
- **KEEP THE AREA OF OPERATION CLEAR** of all persons, particularly small children and pets.
- **THOROUGHLY INSPECT THE AREA** where the equipment is to be used and remove all stones, sticks, wires, bones, and other foreign objects that could be thrown by the blade.
- **DO NOT OPERATE THE EQUIPMENT WHEN BAREFOOT OR WEARING OPEN SANDALS.** Always wear substantial footwear.
- **NEVER ATTEMPT TO MAKE A WHEEL HEIGHT ADJUSTMENT WHILE THE MOTOR IS RUNNING** or while the safety key is plugged in.
- **MOW ONLY IN DAYLIGHT OR IN GOOD ARTIFICIAL LIGHT.**
- **NEVER OPERATE THE EQUIPMENT IN WET GRASS.** Always be sure of your footing; keep a firm hold on the handle and walk; never run.
- **DO NOT PUT HANDS OR FEET NEAR OR UNDER ROTATING PARTS.** Keep clear of the discharge opening at all times.
- **RELEASE BAIL HANDLE TO TURN MOWER OFF** when crossing gravel drives, walks or roads.
- **IF THE MOWER STALLS,** be sure to release bail handle to turn mower off and wait for blade to stop, remove the safety key before attempting to unclog the chute or remove anything from under the deck.
- **AFTER STRIKING A FOREIGN OBJECT,** release bail handle to turn mower off and wait for blade to stop, remove the safety key, thoroughly inspect the mower for any damage and repair the damage before restarting and operating the mower.
- **IF THE EQUIPMENT SHOULD START TO VIBRATE ABNORMALLY** release bail handle, remove the safety key and check immediately for the cause. Vibration is generally a warning of trouble.
- **RELEASE BAIL HANDLE** to turn mower off and wait for blade to stop, remove the safety key whenever you leave the equipment, before unclogging the deck or chute, cleaning the mower, transporting the mower, lifting the mower and when making any repairs or inspections.
- **WHEN CLEANING, REPAIRING, OR INSPECTING,** make certain the blade and all moving parts have stopped.
- **SHUT THE MOTOR OFF REMOVE THE KEY AND WAIT UNTIL THE BLADE COMES TO A COMPLETE STOP** before removing the grass catcher.
- **MOW ACROSS THE FACE OF SLOPES; NEVER UP AND DOWN.** Exercise extreme caution when changing direction on slopes. Do not mow excessively steep slopes.
- **NEVER OPERATE THE MOWER** without proper guards, plates, or other safety protection devices in place.

SAVE THESE INSTRUCTIONS FOR FUTURE USE.



LOOK FOR THIS SYMBOL TO POINT OUT IMPORTANT SAFETY PRECAUTIONS. IT MEANS - ATTENTION!!! BECOME ALERT!!! YOUR SAFETY IS INVOLVED.

BATTERY OPERATION & CARE

⚠ CAUTION: USE ONLY BLACK & DECKER APPROVED REPLACEMENT BATTERIES - CONTACT YOUR LOCAL SERVICE CENTER OR 1-800-HOW-TO.

The battery in your cordless lawnmower is a 24-volt sealed lead acid system. There is no liquid contained within the battery and the mower can therefore be stored in any position without fear of leakage.

SPECIFIC CHARACTERISTICS

- For optimal performance the battery should be kept on constant charge when not in use.
- The battery prefers to be charged in a cool, dry place.
- The battery does not need to be fully discharged before recharging.
- 2 to 3 initial charging cycles may be required after purchase to achieve maximum run time capacity.
- The battery can be safely stored down to -40°C (-40°F).
- The battery is maintenance free.

PROPER CARE

- Off-season storage
 - i. In warmer climates to ensure optimal performance, it is recommended that the battery be maintained on constant charge.
 - ii. The mower may be stored with the charger disconnected if all of the following conditions are met.
 - the mower is fully charged before storing.
 - the average temperature of the storage location is below 10°C (50°F)
 - Storage duration is less than 6 months

SERVICE AND INSTALLATION

Your Black & Decker cordless mower is shipped with the battery system fully assembled and ready for use. When service or repair is required, it is recommended that you take your mower to an authorized Black & Decker Service Centre.

When servicing or replacing batteries, please note:

- At the end of normal service life, both batteries should be replaced at the same time. Mixing fresh and discharged batteries could increase internal cell pressure and cause battery rupture.
- When inserting batteries into this product, the proper polarity or direction must be observed. Reverse insertion of the batteries can result in leakage or explosion.

CHARGER SAFETY RULES

1. Plug charger directly into an electrical outlet. **DO NOT ABUSE THE CORD.** Never carry charger by cord. Do not disconnect the charger from the outlet or mower by pulling it by the cord.
2. **⚠ CAUTION:** To reduce the risk of fire, electrical shock, or personal injury do not attempt to use this charger with any other product. Likewise, do not attempt to charge the mower with any other charger.
3. Do not service mower with charger or safety key installed.
4. Do not operate a damaged charger. Replace damaged cords or charger immediately at an authorized Black & Decker service depot.
5. Always charge the mower in a dry area protected from the weather. Do not expose the mower or charger to rain. Do not charge in wet locations. Do not charge mower when temperature is above 40°C (104°F) or below 5°C (41°F).
6. Keep the mower and charger away from water, heat sources, (Such as radiators, heaters, stoves...etc.) flames, or chemicals. Be careful not to damage the charger cord, by keeping cord away from sharp edges.

⚠ WARNING: FIRE HAZARD

ALWAYS DISCONNECT THE CHARGER FROM THE POWER SUPPLY (WALL OUTLET) BEFORE REMOVING THE CHARGER CONNECTOR. UNDER CERTAIN CONDITIONS, WITH THE CHARGER PLUGGED IN TO THE POWER SUPPLY, THE EXPOSED CONNECTOR CAN BE SHORTED BY FOREIGN MATERIAL AND MAY CAUSE A FIRE. FOREIGN MATERIALS OF A CONDUCTIVE NATURE, SUCH AS, BUT NOT LIMITED TO, STEEL WOOL, ALUMINUM FOIL, OR ANY BUILD-UP OF METALLIC PARTICLES, SHOULD BE KEPT FROM THE CONNECTOR. ALWAYS UNPLUG CHARGER BEFORE ATTEMPTING TO CLEAN.

PLEASE REFER TO DIAGRAMS (A, B, C...) AND ITEM NUMBERS (1, 2, 3...) AS NOTED THROUGHOUT MANUAL.

UNPACKING

Your mower has been completely assembled at the factory except for the Grassbag.

To remove mower from carton

1. Remove the Grassbag frame and cardboard fillers.
2. Remove the mower from the carton and place all four wheels on the ground or floor.
3. Check the carton thoroughly and make sure there are no loose parts.

To Unfold Handle

Raise the handle section B-1 into place and secure by tightening the two lower knobs. B-2.
Remove safety key from handle.

⚠ WARNING: Sharp moving blade. For your own safety DO NOT use this mower without either the Grasscatcher, Mulch Insert, or optional discharge chute in operating position serious injury could result.

ASSEMBLING THE GRASSBAG (FIGURE S1, S2, S3, S4)

1. Shut mower off, wait until blade stops and remove Safety Key A-7.
2. Before starting to assemble the grassbag to the frame, check that the grassbag and frame are similar to figure S1.
3. Slide the grassbag onto the frame as shown in figure S2.
4. Assemble the top clips to the frame as shown in figure S3, then assemble the two side clips and the bottom clip last.
5. Completely assembled grasscatcher see figure S4.

CHARGING PROCEDURE

The charger on your mower is a specially designed 2-step charger.

Step 1: The recharge cycle is indicated by the illuminated red light (A-1).

Step 2: The maintenance cycle is indicated by the illuminated green light (A-2).
This cycle will maintain your mower in a fully charged condition.

1. Remove safety key A-7.
2. Plug the charger connector A-3 into the receptacle A-9 on the mower.
3. Insert the 120 volt plug A-4 of the charger A-5 into the wall receptacle.
4. The red light on the mower should come on indicating you have power and the battery is being charged. The red light should extinguish and the green light will come on when charging is complete (takes approximately 24 hours to charge a fully discharged mower).
5. It is recommended to leave the mower on constant charge for optimum performance during the mowing season.

HANDLE ADJUSTMENT

Your mower has a variable height handle adjustment feature. To adjust the handle position to suit your height preference, use the following procedure:

1. Remove both knobs C-1 on the middle part of the handlebars and remove the bolts C-2.
2. Slide the upper handle into one of the 3 adjustment positions C-3, aligning the holes in the upper and lower handles.
3. Insert the saddle bolts and install the knobs, tightening securely. The knobs should always be on the outside of the handles to avoid interference with the rear door and grass bag.

WHEEL HEIGHT ADJUSTMENT (1-3/4" TO 3-1/2")

1. Before making any adjustments, release bail handle to turn mower off, wait for blade to stop, and remove safety key.
2. Your mower features the Black & Decker one touch wheel height adjustment system. This system will adjust all four wheels at the same time.
3. To raise or lower the cutting height, place the palm of your hand on the palm rest D-1 and with your fingers, squeeze upward on the finger grip D-2 and hold.
4. While holding the finger grip up you can raise or lower the cutting height. The mower has seven blade height adjustment positions. Refer to the scale E-1 and pointer E-2 at the front of the mower. The pointer will indicate the height setting for cutting your lawn. This setting can be a reference for the next time you want to cut your lawn at the same height.
When you have the mower at the height you would like, hold it in place with your left hand on the lower right handle bar and release the finger grip with your right hand to lock the height adjust.

Note: To ensure that the deck is securely locked in one of the seven positions, press down on the palm rest after releasing the finger grip.

OPERATION

(REFER TO DIAGRAMS A THRU S-4 ON PAGES 19 THRU 22)

THROUGHOUT THE OPERATION SECTION OF THIS MANUAL REFERENCES SUCH AS A-9, G-3, ETC. WILL BE MADE. A-9 REFERS TO DIAGRAM A, BALLOON ITEM 9. ALL SIMILAR ILLUSTRATION REFERENCES CAN BE MADE THIS WAY.

KNOW YOUR MOWER

READ THIS OWNER'S MANUAL AND SAFETY RULES BEFORE OPERATING YOUR MOWER. See diagram F (on page 20) to familiarize yourself with the location of various controls and adjustments referenced below. Save this manual for future reference.

- F-1: Safety key
- F-2: Bail handle
- F-3: Switch lever
- F-4: Handle adjustment knobs
- F-5: Handle storage knobs
- F-6: Grassbag
- F-7: Cut height adjustment release
- F-8: Cut height indicator

SAFETY KEY

WARNING: SHARP MOVING BLADE.

In order to prevent accidental start-up or unauthorized use of your Cordless Mower, a removeable Safety Key A-7 has been incorporated into the design of your mower. The mower will be completely disabled when the Safety Key has been removed from the mower. With the Safety Key removed, you will have access to the charger receptacle A-9 and red A-1 and green A-2 charge indication lights. **NOTE: THE SAFETY KEY HAS A HOLE IN THE CENTRE TO ALLOW FOR STORAGE ON A NAIL, OUT OF THE REACH OF CHILDREN.**

 WARNING: ROTATING BLADES CAN CAUSE SERIOUS INJURY. TO PREVENT SERIOUS INJURY, REMOVE SAFETY KEY WHEN UNATTENDED, OR WHEN CHARGING, CLEANING, SERVICING, TRANSPORTING, LIFTING, OR STORING MOWER.

TO TURN MOWER ON

Insert Safety Key A-7 into the housing of the motor shroud A-8 and push down, until safety key is fully seated inside housing. The mower is now operational and can be started by activating the switch system.

 WARNING: SHARP MOVING BLADE. NEVER ATTEMPT TO OVERRIDE THE OPERATION OF THIS SWITCH AND KEY SYSTEM SERIOUS INJURY COULD RESULT.

ON-OFF SWITCH LEVER

Your mower is equipped with a special on-off switch system. To operate the system, first grasp the bail handle G-1 and pull it to the handlebar G-2. Then firmly push the switch lever G-3 forward until it snaps into the "on" position. The spring-loaded "snap-action" lever will relocate itself back into its original position. To turn the mower off, just release the bail handle.

Once the bail handle has returned to the original position it will activate the "Automatic Braking Mechanism". The motor is electrically braked and the mower blade will stop rotating in 3 seconds or less.

MEETS CPSC SAFETY REQUIREMENTS

Black and Decker Mowers conform to the safety standards of the American National Standards Institute, and the U.S. Consumer Product Safety Commission. The Blade turns when the motor is running.

BATTERY GAUGE

NOTE: BATTERY GAUGE IS NOT ACTIVE IN CHARGING MODE. GAUGE IS ACTIVATED ONLY WHEN MOWER IS RUNNING.

Your new Black & Decker Cordless Lawnmower has a gauge to provide you with information on your battery state of charge. While operating the mower, the gauge constantly senses and displays the battery condition as follows:

When the needle is pointing in the green area H-1, the battery is in a highly charged condition.

When the needle is pointing in the red area H-2, the battery charge is depleted.

Before using your new mower for the first time, it is recommended that the unit be charged overnight to ensure that the battery is fully charged. When you first start your mower, the battery gauge should point in the green area, indicating a fully charged battery.

As you use your mower, you will notice that the needle in the battery gauge drops slowly as the battery discharges.

NOTE: WHILE CUTTING GRASS WITH YOUR CORDLESS MOWER, IT IS NORMAL FOR THE BATTERY GAUGE NEEDLE TO FLUCTUATE SOMEWHAT AS THE CUTTING CONDITIONS CHANGE.

When your battery gauge needle points consistently in the red area, your battery is now discharged, even though the mower may still be capable of cutting grass. Continuing to operate your lawnmower with the battery in this discharged condition may reduce the life and performance of your batteries.

THE FOLLOWING SUGGESTIONS WILL HELP YOU TO OBTAIN OPTIMUM RUN TIME FROM YOUR CORDLESS MOWER:

- 1) Slow down in areas where the grass is especially long or thick.
- 2) When mulching, avoid cutting more than 1-1/2 inches off the length at any one time.
- 3) Avoid mowing when the grass is wet from rain or dew-soaked.
- 4) Cut your lawn frequently, especially during high growth periods.

NOTE: IT IS RECOMMENDED THAT YOUR MOWER BE RECHARGED AFTER USE, REGARDLESS OF THE POSITION OF THE BATTERY GAUGE NEEDLE. FREQUENT CHARGING WILL NOT HARM YOUR BATTERY, AND WILL ENSURE THAT THE BATTERY IS FULLY CHARGED AND READY FOR ITS NEXT USE.

SAFETY SHIELD AND REAR DOOR

This safety shield J-1 is designed to minimize the throwing of stones or other objects by the mower blade backward from under the mower deck. The shield, along with the rear door J-2, minimizes the possibility of accidental foot contact with the blade. **DO NOT** operate mower without the safety shield and rear door in place.

⚠ WARNING: Sharp moving blade. For your own safety **DO NOT** use this mower without either the grasscatcher or mulch insert in operating position serious injury could result.

⚠ WARNING: Sharp moving blade. Do not operate the lawnmower if the rear door is not closed under spring tension serious injury could result. Take your lawnmower to the nearest service centre or depot for repair.

REMOVING MULCH INSERT

To remove the Mulch Insert J-3 so that you can bag the grass or discharge with the optional discharge chute, follow the steps listed below:

1. Shut the mower off, wait until the blade stops and remove safety key A-7.
2. Raise the rear discharge door J-2 and hold it up.
3. Locate your hand in the handle pocket J-4 as shown, and lift and pull out the mulch insert J-3 completely.
4. The rear discharge door is spring loaded. When you release it the door will return to the closed position.

INSTALLING MULCH INSERT

1. Repeat steps 1 and 2 for removing mulch insert.
2. Slide the mulch insert J-3 into the discharge opening until it is firmly in contact with the deck.
3. Release rear door and ensure it is properly closed.

INSTALLING GRASS CATCHER

1. Reaching down between the lawnmower handles, raise the rear discharge door K-1 to a vertical position and hold the door up. Ensure that the mulch insert J-3 has been removed.
2. Pick up the grass catcher K-2 by the handle K-3 and place the grass catcher between the lawnmower handles as shown.
3. Position the grass catcher hanger hooks K-4 on the lawnmower as shown in Figure L. Release the rear discharge door.

⚠ WARNING: Sharp moving blade. Never operate the mower unless the hanger hooks on the grass catcher are seated properly on the lawnmower and the rear discharge door rests firmly against the top of the grass catcher serious injury could result.

MOWING TIPS

NOTE: ALWAYS INSPECT AREA WHERE MOWER IS TO BE USED AND REMOVE ALL STONES, STICKS, WIRE, BONES AND OTHER DEBRIS WHICH MIGHT BE THROWN BY THE ROTATING BLADE.

1. Mow across the face of slopes, never up-and-down. Exercise extreme caution when changing direction on slopes. Do not mow excessively steep slopes. Always maintain good footing.
2. Release bail handle to turn mower "OFF" when crossing any graveled area (stones can be thrown by the blade).
3. Set mower at highest cutting height when mowing in rough ground or in tall weed.
4. If a grass catcher is used during the fast growing season, the grass may tend to clog up at the discharge opening. Ensure the mower system is switched "OFF" and remove the safety key. Remove the catcher and shake the grass down to the back end of the bag. Also clean out any grass or debris which may be packed around the discharge opening. Replace the grass catcher.
5. If mower should start to vibrate abnormally, turn mower "OFF" and remove safety key. Check immediately for cause. Vibration is a warning of trouble. Do not operate mower until a service check has been made.
6. **ALWAYS TURN THE MOWER OFF AND REMOVE SAFETY KEY WHEN LEAVING IT UNATTENDED EVEN FOR A SHORT PERIOD OF TIME.**

MULCHING MOWING TIPS

Your mower was shipped from Black & Decker with the mulch insert installed.

While mulching, your new mower is designed to cut the grass clippings into small pieces and distribute them back into the lawn. Under normal conditions, the mulched grass will biodegrade quickly to provide nutrients to the lawn.

Please review the following recommendations for optimum mulching performance.

1. Avoid mowing when the grass is wet from rain or dew. Wet grass may form clumps which interfere with the mulching action and reduce run-time. The best time to mow grass is in the late afternoon when the grass is dry and the newly cut area will not be exposed to direct sunlight.
2. For best mulching performance, set the cutting height to remove about one third of the grass blade length, ideally no more than 1-1/2" at one time. If the lawn is overgrown, it may be necessary to increase the cut height to reduce the pushing effort and prevent overloading the motor. For extremely heavy mulching, it is advisable to first cut at a high cut height setting, and then re-cut to the final cut height. Otherwise, make narrower cuts and mow slowly.
3. For best performance, keep the mower housing free of built-up grass. From time to time turn off mower and wait for the blade to come to a complete stop. Then unplug the safety key and turn mower on its side. Using an object such as a stick, wipe out any accumulation of grass in the blade area. Be careful of the sharp edges of the blade. Clean often in wet, spring grass, and always after every use.
4. Certain types of grass or grass conditions may require that an area be mulched a second time to fully disperse the grass throughout the lawn. If cutting a second time, it is advisable to cut perpendicular (across) the first cut pattern. **DO NOT CHANGE CUT PATTERN IN ANY WAY THAT WOULD CAUSE MOWING DOWN A HILL.**
5. Change your cutting pattern from week to week. This will help prevent matting and graining of the lawn.

BLADE SHARPENING

KEEP BLADE SHARP FOR BEST MOWER PERFORMANCE. A DULL BLADE DOES NOT CUT GRASS CLEANLY OR MULCH PROPERLY.

WEAR PROPER EYE PROTECTION WHILE REMOVING, SHARPENING, AND INSTALLING BLADE. ENSURE THAT SAFETY KEY IS REMOVED.

Sharpening the blade twice during a mowing season is usually sufficient under normal circumstances. Sand causes the blade to dull quickly. If your lawn has sandy soil, more frequent sharpening may be required.

REPLACE BENT OR DAMAGED BLADE IMMEDIATELY.

WHEN SHARPENING THE BLADE:

1. Make sure blade remains balanced.
2. Sharpen blade at the original cutting angle.
3. Sharpen cutting edges on both ends of blade, removing equal amounts of material from both ends.

TO SHARPEN BLADE IN A VISE:

1. Be sure the switch lever is released, the blade has stopped and the safety key removed before removing the blade.
2. Remove blade from mower. See instructions for removing and attaching blade.
3. Secure blade M-1 in a vise M-2.
4. Wear safety glasses and be careful not to cut yourself.
5. Carefully file the cutting edges of the blade with a fine tooth file M-3 or sharpening stone.
6. Check balance of blade. See instructions for blade balancing.
7. Replace blade on mower and tighten securely. Refer to instructions below.

BLADE BALANCING

Check balance of blade by placing centre hole in blade N-1 over a nail or screwdriver shank N-2, clamped horizontally in a vise N-3. If either end of the blade rotates downward, file that end. Blade is properly balanced when neither end drops.

REMOVING AND ATTACHING BLADES

1. TURN MOWER OFF, WAIT FOR THE BLADE TO STOP, AND REMOVE SAFETY KEY.
2. Cut a piece of 2x4 wood P-1 (about 2 feet long) to keep blade from turning while removing blade nut.
3. Turn the mower on its side. Wear gloves. Position wood and remove nut as shown in Figure P.
4. With 3/4" (19mm) wrench P-2, remove blade nut P-3, by turning in direction of arrow.
5. Remove blade nut Q-1, square washer Q-2, insulator washer Q-3, and blade Q-4.
6. To re-assemble, first position the blade with the cutting edges towards the ground. ("Grass side" is stamped on the blade and should be visible when assembled correctly.) Assemble the components as shown in Figure Q.
Ensure that the edges of the insulator washer Q-3 hook over the edge of the blade. Align the flats on the insulator washer Q-3 with the flats on the shaft.
Position wood R-1 to keep shaft from turning and then securely tighten the blade nut in the direction shown by the arrow in Figure R.

LUBRICATION

No lubrication is necessary. Do not oil the wheels. They have plastic bearing surfaces which require no lubrication.

CLEANING

TURN OFF, LET THE BLADE COME TO A STOP AND THEN UNPLUG SAFETY KEY. Use only mild soap and a damp cloth to clean the mower. Clean out any clippings which may have accumulated on the underside of the deck. After several uses, check all exposed fasteners for tightness.

PREVENTING CORROSION

Fertilizers and other garden chemicals contain agents which greatly accelerate the corrosion of metals. If you mow in areas where fertilizers or chemicals have been used, the mower should be cleaned immediately afterward as follows: (1) Be sure the mower is turned off and safety key removed. (2) Wipe all exposed parts with a damp cloth.

⚠ CAUTION: DO NOT POUR OR SPRAY WATER ON THE MOWER IN AN ATTEMPT TO CLEAN IT.
Do not store the tool on or adjacent to fertilizers or chemicals. Such storage can cause rapid corrosion.

TRANSPORTING AND STORAGE

⚠ WARNING: Rotating blade can cause serious injury. Always turn mower off and remove the safety key before lifting, transporting or storing the mower. Store in a dry place. Based on seasonally consistent cutting schedules your mower will cut up to 19,000 square feet on a single charge. During the spring when the grass is lush it may cut less. During mid-summer when the grass is light and dry it will cut more. Then in the fall when the grass is wetter it may cut less.

HERE ARE SOME HELPFUL HINTS TO GET THE MOST FROM YOUR BLACK & DECKER CORDLESS POWER MOWER...AND KEEP YOUR LAWN LOOKING BEAUTIFUL

1. Lawns should first be mowed in the spring when the grass is about 2 1/2 to 3 inches high. Mowing too early restricts the grass root systems which renew themselves every spring. New grass should be clipped when it is about 2 1/2 inches high.
2. Do not remove too much grass blade surface at one time...never more than 1/3 of the leaf height during each cutting. Cutting too close "shocks" sensitive grass blades, resulting in a shallow root system and thus making it more difficult for your lawn to reach water in the soil.
3. Lawncare experts say that excessively close cutting is responsible for much of the difficulty experienced on many lawns. The depth and strength of the roots of grass are almost exactly proportional to its growth. Grasses of mature lawns often are seriously injured when mowed shorter than 1 1/2 inches, and a height of 1 1/2 to 2 inches is preferred on large lawns.
4. Mow your lawn when it is dry to avoid clumping of wet grass. If you have a choice, late afternoon is the ideal time for mowing, not only because the grass is dry, but also because the sensitive new cut area of the grass will not be exposed to intense sunlight.
5. Keep the mowing blade sharp for a nice clean cut. This improves the mower's performance and enhances the look of your lawn. A dull blade shatters and bruises the tips of the grass. This impairs the healthy growth of your lawn and increases susceptibility to turf diseases. If the grass tips are bruised it causes a brownish colour and gives your lawn an unhealthy appearance. A dull blade may also pull up young seedlings.
6. Try to mow your lawn at the same (consistent) cutting height. While there are times when you should vary the cutting height with the changing seasons, a consistent cutting height produces a healthier, lovelier lawn with generally fewer weeds. Mow more frequently during periods of fast growth. Frequent cutting ensures that the lower, less attractive portion of the grass will not show.
7. If your lawn has grown too long, (a vacation, for example, may interrupt your cutting schedule) mow at a cutting height one or two positions higher than normal. A second pass at "normal" cutting height a few days later will put your lawn back on schedule. Changing the cutting height is a simple matter with Black & Decker's One Touch Wheel Height Adjustment, which simultaneously adjusts all four wheels at once.
8. During the spring and fall, (or after an interruption to the cutting schedule) the grass will be longer and thicker. If the motor continually slows down while cutting, try setting the wheels for a higher cutting height. Excessive motor loading can result in uneven cutting, quicker discharge of the battery, and can cause the circuit breaker to trip, which stops the motor.
9. Three good ideas to enhance your lawn's appearance: Vary the mowing direction frequently; mow horizontally on hillsides; (this is also a good safety practice) and do not forget to overlap the mowing path on each pass.
10. Always mow grass so that clippings are discharged onto cut lawn. This will keep your lawn looking fresh by avoiding "Cut Grass" build-up which will eventually brown and appear ugly. This method also preserves your battery charge, ensuring you get the most from your Black & Decker Cordless Power Mower.
11. During the spring and fall seasons when the grass is longer and thicker, you can use your mower without it being fully recharged. (i.e. green charge indication light is on). This will enable you to perform short cutting tasks, but we don't recommend this be done frequently. The battery and mower perform much better if charged fully.

TROUBLE SHOOTING GUIDE

PROBLEM	SOLUTION
1. Mower doesn't run when switch lever is activated.	<p>A. Check to make sure safety key has been installed and is fully seated.</p> <p>B. Ensure bail handle and switch lever are in "off" position. Remove safety key, turn mower over and check that blade is free to turn.</p> <p>C. Has battery been fully charged? Plug in charger and wait for green light to come on.</p>
2. Motor stops while mowing.	<p>A. Ensure bail handle and switch lever are in "off" position. Remove Safety Key. Turn mower over and check that blade is free to turn.</p> <p>B. Raise cutting height of wheels to highest position and start mower.</p> <p>C. Has battery been fully charged? Plug in charger and wait for green light to come on.</p> <p>D. Circuit breaker may have tripped. It resets automatically. Re-set time could be as long as 1 minute. Slow down or raise cut height.</p>
3. Mower runs but cutting performance is unsatisfactory, or does not cut your entire lawn.	<p>A. Has battery been fully charged? (See Problem 1, Solution "C".)</p> <p>B. Ensure bail handle and switch lever are in "off" position. Remove Safety Key. Turn mower over and check: *Blade for sharpness *Deck and discharge chute for clogging.</p> <p>C. Wheel height adjustment may be set too low for grass condition. Raise cutting height.</p>
4. Mower is too hard to push.	<p>A. Raise cutting height to reduce deck drag on grass. Check each wheel for free rotation.</p>
5. Mower is abnormally noisy and vibrates.	<p>A. Ensure bail handle and switch lever are in "off" position. Remove Safety Key. Turn mower on side and check blade to ensure it has not been bent or damaged. If blade is damaged, replace with a Black & Decker replacement blade. If the underside of the deck is damaged return mower to a Black & Decker Authorized service depot.</p> <p>B. If there is no visible damage to the blade and the mower still vibrates, return the mower to an authorized Black & Decker service depot.</p>

NOTE

Should the red light remain on after charging the battery for 24 hours on initial charge, the mower can still be used. The battery may need to be "conditioned" requiring a few battery charge and discharge cycles before the green indicator light comes on.

THIS IS ONLY A GUIDE INTENDED TO ENABLE YOU TO PERFORM VISUAL CHECKS AND SIMPLE TESTS. SHOULD NONE OF THE SOLUTIONS PROVIDE SATISFACTION OR IMPROVE PERFORMANCE CALL 1-800-762-6672 TO SPEAK TO A CONSUMER SERVICE REPRESENTATIVE OR TAKE THIS MOWER TO THE CLOSEST AUTHORIZED BLACK & DECKER SERVICE CENTRE FOR SERVICING.

Important

To assure product SAFETY and RELIABILITY, repairs, maintenance and adjustment (including brush inspection and replacement) should be performed by BLACK & DECKER Service Centres or other qualified service organizations, always using Black & Decker replacement parts. When servicing use ONLY IDENTICAL REPLACEMENT PARTS.

Battery Recycling

This product contains a lead-acid battery, which must be recycled. Do not dispose with trash. Battery may be returned for recycling to a Black & Decker Service Center, or to any facility that recycles lead-acid batteries.

Accessories

⚠ CAUTION: Accessories are recommended for use with your mower. The use of any other accessory or attachment might be hazardous.

The accessories listed in this manual are available at extra cost from your Black & Decker Service Centre.

SD-1000	SIDE DISCHARGER CHUTE
MC-1000	REPLACEMENT GRASSBAG GRASSBAG
MB-1000	REPLACEMENT BLADE

SAVE THESE INSTRUCTIONS FOR FUTURE USE

Service Information

Black & Decker offers a full network of company-owned and authorized service locations throughout North America. All Black & Decker Service Centers are staffed with trained personnel to provide customers with efficient and reliable power tool service.

Whether you need technical advice, repair, or genuine factory replacement parts, contact the Black & Decker location nearest you.

To find your local service location, refer to the yellow page directory under

"Tools—Electric" or call: **1-800-54-HOW-TO.**

WARRANTIES

Full Two-Year Home Use Warranty

Black & Decker (U.S.) Inc. warrants this product for two years against any defects in material or workmanship. The defective product will be replaced or repaired at no charge in either of two ways:

The first, which will result in exchanges only, is to return the product to the retailer from whom it was purchased (provided that the store is a participating retailer). Returns should be made within the time period of the retailer's policy for exchanges (usually 30 to 90 days after the sale). Proof of purchase may be required. Please check with the retailer for their specific return policy regarding returns that are beyond the time set for exchanges. The second option is to take or send the product (prepaid) to a Black & Decker owned or authorized Service Center for repair or replacement at our option. Proof of purchase may be required. Black & Decker owned and authorized service centers are listed under "Tools-Electric" in the yellow pages of the phone directory.

This warranty does not apply to accessories. This warranty gives you specific legal rights and you may have other rights which vary from state to state. Should you have any questions, contact the manager of your nearest Black & Decker Service Center.

Deck Warranty

Lifetime Warranty for DECK only against any defects in material or workmanship.

This product is not intended for commercial use.

Imported by
Black & Decker (U.S.) Inc.,
701 E. Joppa Rd.
Towson, MD 21286 U.S.A.



See 'Tools-Electric'
- Yellow Pages -
for Service & Sales



IMPORTANTES MESURES DE SÉCURITÉ

FRANÇAIS

- ⚠ AVERTISSEMENT :** Lorsqu'on utilise un appareil électrique, il faut toujours respecter certaines règles de sécurité fondamentales afin de minimiser les risques d'incendies, de secousses électriques et de blessures, notamment les suivantes.
- ⚠ AVERTISSEMENT :** Le produit génère de la poussière qui peut renfermer des produits chimiques. Selon l'état de la Californie, ces produits chimiques peuvent causer le cancer ainsi que des malformations congénitales, et ils présentent d'autres dangers au système reproductif humain. Voici des exemples de tels produits chimiques :

- les composés d'engrais;
- les composés d'insecticides, d'herbicides et de pesticides;
- l'arsenic et le chrome provenant de bois traité.

Afin de minimiser les risques, porter de l'équipement de sécurité approuvé comme des masques antipoussières spécialement conçu pour filtrer les particules microscopiques.

- ⚠ AVERTISSEMENT :** Le produit renferme des produits chimiques, dont du plomb. Selon l'état de la Californie, ce produit chimique peut causer le cancer ainsi que des malformations congénitales, et il présente d'autres dangers au système reproductif humain. Se laver les mains après l'utilisation.

- **BIEN CONNAÎTRE LA TONDEUSE.** Lire attentivement le présent guide. Bien se familiariser avec les commandes et le fonctionnement de la tondeuse.
- **TENIR COMPTE DU MILIEU DE TRAVAIL.** Ne pas se servir de la tondeuse sous la pluie ni dans des endroits humides ou mouillés. Ne pas l'utiliser dans des endroits où l'atmosphère contient des vapeurs combustibles ou explosives. Les étincelles que produit le moteur en marche pourraient enflammer ces produits.
- **PORTER DU MATÉRIEL DE PROTECTION.** Porter de lunettes de sécurité pendant la tonte (des lunettes de correction de la vue standard ne sont pas des lunettes de sécurité). Utiliser un masque si le travail produit de la poussière. Les détaillants Black & Decker vendent des lunettes de sécurité.
- **DEMEURER VIGILANT.** Travailler avec vigilance et faire preuve de bon sens. Ne pas se servir de l'outil lorsqu'on est fatigué.
- **LAISSER LES PROTECTEURS ET LES ÉCRANS EN PLACE** et en bon état de fonctionnement.
- **ÉVITER LES RISQUES DE SECOUSSES ÉLECTRIQUES.** Réparer ou remplacer immédiatement les cordons endommagés.
- **DANGER - S'ÉLOIGNER DE LA LAME.** Risque de coupure - Éloigner les mains et les pieds de la lame. Ne pas tenter d'enlever des matières coupées ni de débloquent le couloir d'éjection lorsque la lame tourne.
- **DÉBRANCHER L'OUTIL.** Relâcher la poignée contour pour arrêter la tondeuse, attendre l'immobilisation de la lame et retirer la clé de sécurité avant de régler, entretenir, nettoyer, transporter, soulever la tondeuse ou changer une lame.
- **ÉLOIGNER LES ENFANTS.** Tous les visiteurs doivent être tenus à l'écart de l'aire de coupe.
- **RANGER LES OUTILS INUTILISÉS À L'INTÉRIEUR** dans un endroit sec, situé en hauteur ou fermé à clé, hors de la portée des enfants et retirer la clé de sécurité.
- **NE PAS FORCER LA TONDEUSE.** Afin d'obtenir un rendement sûr et efficace, utiliser l'outil à son rendement nominal.
- **UTILISER L'OUTIL APPROPRIÉ.** Se servir de l'outil selon l'usage prévu.
- **PORTER DES VÊTEMENTS APPROPRIÉS.** Éviter de porter des vêtements amples et des bijoux que peuvent être happés par les pièces en mouvement. Il est conseillé de porter des chaussures à semelle en caoutchouc.
- **NE PAS MANIPULER LE CORDON DE FAÇON ABUSIVE.** Ne pas transporter le chargeur par le cordon ni tirer sur ce dernier pour le débrancher de la prise. Éloigner le cordon des sources de chaleur, des flaques d'huile et des arêtes tranchantes.
- **AVERTISSEMENT :** Ne pas charger à l'extérieur ni dans des endroits humides ou mouillés.
- **NE PAS DÉPASSER SA PORTEE.** Toujours demeurer dans une position stable et garder son équilibre.
- **PRENDRE SOIN DES OUTILS.** Conserver les lames affûtées et propres pour qu'elles donnent un rendement supérieur et sûr. Suivre les directives relatives au remplacement des accessoires.
- **ÉVITER LES DÉMARRAGES ACCIDENTELS.** S'assurer que le levier de l'interrupteur et la poignée contour sont dégagés avant d'insérer la clé de sécurité.
- **LES OBJETS PROJÉTÉS PAR LA LAME DE LA TONDEUSE** peuvent causer des blessures. Surveiller la pelouse et enlever les objets sur l'herbe avant de tondre.
- **UTILISER SEULEMENT DES LAMES DE RECHANGES IDENTIQUES.**
- **LORS DE TRAVAUX D'ENTRETIEN,** n'utiliser que des pièces de rechange identiques.
- **LIRE ATTENTIVEMENT LE PRÉSENT GUIDE.** Bien se familiariser avec les commandes et le fonctionnement de la tondeuse.
- **NE LAISSER JAMAIS UN ENFANT UTILISER LA TONDEUSE.**
- **S'ASSURER QUE LE PLAN DE TRAVAIL EST VIDE,** s'assurer surtout qu'aucun enfant ni animal ne s'y trouve.
- **BIEN VÉRIFIER LA ZONE** où on utilise la tondeuse et enlever tous les cailloux, bâtons, fils, os ou autres corps étrangers qui pourraient être projetés par la lame en mouvement.
- **NE JAMAIS UTILISER LA TONDEUSE LORSQUE LES PIEDS SONT DECHAUSSÉS OU RECOUVERTS DE SANDALES.** Porter de robustes chaussures.
- **NE PAS TENTER DE MODIFIER LA HAUTEUR DES ROUES LORSQUE LE MOTEUR EST EN MARCHÉ** ni lorsque la clé de sécurité est insérée dans la tondeuse.
- **UTILISER SEULEMENT AU GRAND JOUR OU DANS UNE BONNE LUMIÈRE ARTIFICIELLE.**
- **NE JAMAIS TONDRÉ UNE PELOUSE MOUILLÉE.** Regarder où l'on marche. Bien tenir le guidon et marcher; ne jamais courir.
- **ÉLOIGNER LES MAINS ET LES PIEDS DES PIÈCES EN MOUVEMENT.** Se tenir à bonne distance de l'ouverture d'éjection en tout temps.
- **RELÂCHER LA POIGNÉE CONTOUR POUR ARRÊTER LA TONDEUSE** avant de traverser les entrées et les chemins.
- **LORSQUE LE MOTEUR CALE,** relâcher la poignée contour pour mettre la tondeuse hors tension, attendre l'immobilisation de la lame et retirer la clé de sécurité avant de débloquent le couloir d'éjection ou de retirer des objets coincés sous la tondeuse.
- **LORSQUE LA LAME DE LA TONDEUSE HEURTE UN OBJET SOLIDE,** relâcher la poignée contour, attendre l'immobilisation complète de la lame, retirer la clé de sécurité, s'assurer que la tondeuse n'a pas été endommagée et la réparer avant de l'utiliser de nouveau.
- **LORSQUE LA TONDEUSE COMMENCE À VIBRER DE FAÇON ANORMALE,** relâcher la poignée contour, retirer la clé de sécurité et rechercher immédiatement la cause des vibrations. Ces dernières sont habituellement un signe de dérangement.
- **RELÂCHER LA POIGNÉE CONTOUR** pour arrêter le moteur, attendre l'immobilisation de la lame et retirer la clé de sécurité lorsqu'on laisse la tondeuse sans surveillance, avant de débloquent le châssis ou le couloir d'éjection, de nettoyer, transporter ou soulever la tondeuse et avant toute réparation ou inspection.
- **LORSQU'ON NETTOIE, RÉPARE OU INSPECTE** la tondeuse, s'assurer que la lame et les pièces en mouvement sont immobilisées.
- **METTRE LE MOTEUR HORS TENSION, RETIRER LA CLÉ DE SÉCURITÉ ET ATTENDRE L'IMMOBILISATION COMPLÈTE DE LA LAME** avant de retirer le sac à herbe.
- **TONDRÉ EN TRAVERS DANS LE CAS D'UNE PENTE ET NON EN VA-ET-VIENT VERTICAL.** Faire attention lorsqu'on change de sens sur une pente. Ne pas tondre les pentes abruptes.
- **NE JAMAIS UTILISER LA TONDEUSE** sans les protecteurs, plaques ou autres dispositifs de sécurité appropriés en place.

CONSERVER CES MESURES À TITRE DE RÉFÉRENCE.



RECHERCHER CE SYMBOLE INDIQUANT LES MESURES DE SÉCURITÉ IMPORTANTES. IL SIGNIFIE : ATTENTION!!! FAIRE PREUVE DE VIGILANCE!!! LA SÉCURITÉ PERSONNELLE EST EN JEU.

UTILISATION ET ENTRETIEN DES PILES

⚠ MISE EN GARDE : UTILISER SEULEMENT DES PILES DE RECHANGE APPROUVÉES PAR BLACK & DECKER. COMMUNIQUER AVEC LE CENTRE DE SERVICE DE LA RÉGION OU COMPOSER LE 1 800 544-6986.

La pile de la tondeuse sans fil consiste en un système scellé au plomb de 24 volts. Elle ne renferme aucun liquide. Elle ne présente ainsi aucun risque de fuite pendant l'entreposage.

CARACTÉRISTIQUES PARTICULIÈRES

- Pour optimiser le rendement de la pile, celle-ci devrait continuellement rester sous chargement lorsqu'elle ne sert pas.
- Il est préférable de charger la pile dans un endroit frais et sec.
- Il n'est pas nécessaire de décharger complètement la pile avant de la recharger.
- Il peut être nécessaire de recharger la pile à 2 ou 3 reprises (après l'achat) avant que celle-ci n'atteigne son plein rendement.
- La température de rangement minimale est de -40 °C (-40 °F).
- La pile ne nécessite aucun entretien.

SOINS APPROPRIÉS

- Rangement pour l'hiver
 - i. Il est conseillé de laisser la pile sous charge dans les régions au climat tempéré afin d'en optimiser le rendement.
 - ii. On peut débrancher le chargeur de la tondeuse lorsque toutes les conditions suivantes sont remplies.
 - La tondeuse est complètement chargée avant l'entreposage.
 - La température ambiante de l'espace de rangement est inférieure à 10 °C (50 °F).
 - La durée d'entreposage est inférieure à 6 mois.

ENTRETIEN ET INSTALLATION

La tondeuse sans fil Black & Decker sort de l'usine avec un système de piles complètement assemblé et prêt à servir. Le cas échéant, en confier l'entretien ou les réparations à un centre de service autorisé Black & Decker.

Lorsqu'on voit à l'entretien ou au remplacement des piles, prendre note des points suivants.

- À la fin de leur durée utile, il faut remplacer simultanément les deux piles. Le mélange de piles fraîches et usées peut faire augmenter la pression interne des cellules et provoquer la rupture des piles.
- Au moment d'installer les piles dans le produit, il faut respecter la polarité indiquée. Une mauvaise installation peut en causer la fuite ou l'explosion.

MESURES RELATIVES AU CHARGEUR

1. Brancher le chargeur directement dans une prise. **NE PAS MANIPULER LE CORDON DE FAÇON ABUSIVE.** Ne jamais transporter le chargeur par le cordon, ni tirer sur ce dernier pour débrancher le chargeur de la prise ou de la tondeuse.
2. **⚠ MISE EN GARDE :** Ne jamais tenter d'utiliser le chargeur avec un autre produit afin de minimiser les risques d'incendies, de secousses électriques ou de blessures. De même, ne jamais charger la tondeuse avec un autre chargeur.
3. Ne pas effectuer l'entretien de la tondeuse lorsque la clé de sécurité ou le chargeur sont en place.
4. Ne pas utiliser un chargeur endommagé. Faire remplacer immédiatement les cordons ou chargeurs endommagés à un centre de service autorisé Black & Decker.
5. Toujours charger la tondeuse dans un endroit sec à l'abri des intempéries. Protéger la tondeuse et le chargeur de la pluie. Ne pas charger la tondeuse lorsque la température ambiante est supérieure à 40 °C (104 °F) ou inférieure à 5 °C (41 °F).
6. Éloigner la tondeuse et le chargeur des sources d'eau et de chaleur (comme des radiateurs, des dispositifs de chauffage et des fours), des flammes ou des produits chimiques. Prendre soin de ne pas endommager le cordon du chargeur en l'éloignant des arêtes tranchantes.

⚠ AVERTISSEMENT : RISQUES D'INCENDIE

TOUJOURS DÉBRANCHER LE CHARGEUR DE LA PRISE AVANT DE RETIRER LE CONNECTEUR DU CHARGEUR. DANS CERTAINES CONDITIONS, LORSQUE LE CHARGEUR EST BRANCHÉ DANS LA PRISE, LE CONNECTEUR À DÉCOUVERT PEUT ÊTRE COURT-CIRCUITÉ PAR DES CORPS ÉTRANGERS; CE QUI PRÉSENTE DES RISQUES D'INCENDIES. IL FAUT ÉLOIGNER DU CONNECTEUR LES CORPS ÉTRANGERS DE NATURE CONDUCTRICE, COMME LA LAINE D'ACIER ET LE PAPIER D'ALUMINIUM, AINSI QUE TOUTE ACCUMULATION DE PARTICULES MÉTALLIQUES. TOUJOURS DÉBRANCHER LE CHARGEUR AVANT DE LE NETTOYER.

PRIÈRE DE CONSULTER LES DIAGRAMMES (A, B, C . . .) ET LES NUMÉROS D'ARTICLES (1, 2, 3 . . .) COMME IL EST INDIQUÉ DE PAR LE GUIDE.

DÉBALLAGE

La tondeuse est complètement assemblée à sa sortie de l'usine; il ne reste qu'à y fixer le sac à herbe.

Faire ce qui suit pour sortir la tondeuse de l'emballage.

1. Sortir le cadre du sac à herbe et les morceaux de carton de l'emballage.
2. Sortir la tondeuse de l'emballage et la déposer sur les quatre roues sur le sol ou le plancher.
3. Bien vérifier l'emballage afin de s'assurer qu'il ne renferme aucune pièce détachée.

Faire ce qui suit pour déplier le guidon.

- Soulever la section B-1 du guidon en place et la fixer en serrant les deux boutons inférieurs (B-2).
- Retirer la clé de sécurité du guidon.

⚠ AVERTISSEMENT : Attention, organe de coupe mobile acéré ! Par mesure de sécurité personnelle, NE PAS utiliser la tondeuse lorsque le sac à herbe ou la plaque de déchiquetage ne sont pas en position de fonctionnement pour éviter tout risque de blessure grave.

ASSEMBLAGE DU SAC À HERBE (FIG. S1, S2, S3 ET S4)

1. Mettre la tondeuse hors tension, attendre l'immobilisation de la lame et retirer la clé de sécurité (A-7).
2. Avant de monter le sac sur le cadre, vérifier le sac et le cadre pour s'assurer qu'ils correspondent à ceux illustrés à la figure S1.
3. Faire glisser le sac sur le cadre de la façon illustrée à la figure S2.
4. Commencer par fixer les pinces supérieures (fig. S3), puis les deux pinces latérales et, enfin, la pince inférieure.
5. Voir le sac complètement assemblé à la figure S4.

CHARGEMENT

Le chargeur a été conçu spécialement pour fonctionner en deux étapes.

Étape 1 : Le témoin rouge s'allume pour indiquer le cycle de chargement (A-1).

Étape 2 : Le témoin vert s'allume pour indiquer le mode d'entretien de la charge (A-2). Ce dernier cycle maintient la tondeuse dans une condition de charge complète.

1. Retirer la clé de sécurité (A-7).
2. Brancher le connecteur du chargeur (A-3) dans la prise de la tondeuse (A-9).
3. Insérer la fiche de 120 volts (A-4) du chargeur (A-5) dans la prise murale.
4. Le témoin rouge de la tondeuse s'allume indiquant le chargement de la pile. Le témoin rouge s'éteint et le témoin vert s'allume lorsque la pile est chargée. (La charge complète de la pile à plat prend environ 24 heures.)
5. Il est conseillé de laisser la tondeuse sous charge.

RÉGLAGE DU GUIDON

La tondeuse comporte un dispositif de réglage du guidon. Faire ce qui suit pour régler la position du guidon à la hauteur voulue.

1. Retirer les deux boutons (C-1) de la section centrale des barres du guidon, puis enlever les deux boulons à tête arrondie (C-2).
2. Faire glisser la partie supérieure du guidon dans l'une des trois positions (C-3) en alignant les trous de la partie supérieure du guidon sur ceux de la partie inférieure.
3. Insérer les boulons à tête arrondie, puis installer les boutons et bien serrer. Les boutons devraient toujours se trouver du côté extérieur du guidon afin de ne pas nuire au fonctionnement de couloir d'éjection et du sac à herbe arrière.

RÉGLAGE DE LA HAUTEUR DES ROUES (De 44 mm à 88 mm (1 3/4 po - 3 1/2 po))

1. Avant de régler l'appareil, relâcher la poignée contour afin de mettre le moteur hors tension, attendre l'immobilisation complète de la lame et retirer la clé de sécurité.
2. La tondeuse est dotée du système monotouche de réglage de la hauteur des roues de Black & Decker. Ce système permet de régler simultanément la hauteur des quatre roues.
3. Pour modifier la hauteur des roues, il suffit de déposer la paume de la main contre l'appuie-paume (D-1) et de se servir de ses doigts pour écraser le levier (D-2) vers le haut, puis de le maintenir dans cette position.
4. Tout en retenant le levier écrasé, modifier la hauteur de coupe. La tondeuse comporte sept positions de coupe. Voir l'échelle (E-1) et l'indicateur (E-2) à l'avant de la tondeuse. L'indicateur montre le réglage de la hauteur. Ce réglage sert de référence la prochaine fois qu'on veut couper le gazon à la même hauteur. Lorsque la tondeuse est à la hauteur voulue, il suffit de la retenir en place en plaçant la main gauche sur la barre inférieure droite du guidon et de relâcher la prise des doigts à l'aide de la main droite afin de bloquer l'outil à cette hauteur.

Note : Afin de s'assurer que le tablier est bien bloqué dans l'une des sept positions, abaisser l'appuie-paume après avoir relâché le levier.

FUNCTIONNEMENT

(SE REPORTER AUX DIAGRAMMES A À S-4 AUX PAGES 19 À 22)

DANS LA SECTION FONCTIONNEMENT DU PRÉSENT MANUEL, ON FERA RÉFÉRENCE À DES CODES COMME A-9, G-3, ETC. A-9 INDIQUE LE DIAGRAMME A, INFOBULLE 9. TOUTE AUTRE RÉFÉRENCE ILLUSTRATIVE SUIT CETTE NOMENCLATURE.

BIEN CONNAÎTRE LA TONDEUSE.

LIRE LE GUIDE D'UTILISATION ET LES MESURES DE SÉCURITÉ AVANT D'UTILISER LA TONDEUSE. Voir la figure F afin (à la page 20) de se familiariser avec l'emplacement des diverses commandes et des dispositifs de réglage mentionnés plus bas. Conserver le présent guide à titre de référence.

- F-1 : Clé de sécurité
- F-2 : Poignée contour
- F-3 : Interrupteur à levier
- F-4 : Boutons de réglage du guidon
- F-5 : Boutons de rangement du guidon
- F-6 : Sac à herbe
- F-7 : Dispositif de dégagement de la hauteur de coupe
- F-8 : Indicateur de la hauteur de coupe

CLÉ DE SÉCURITÉ

⚠ MISE EN GARDE : ATTENTION, ORGANE DE COUPE MOBILE ACERÉ !

Afin de prévenir le démarrage accidentel de la tondeuse sans fil ou d'empêcher qu'on s'en serve sans permission, la conception de la tondeuse comporte une clé de sécurité amovible (A-7). La tondeuse ne peut pas fonctionner sans la clé. Sans la clé, on peut utiliser la prise de la tondeuse (A-9) et les témoins de charge rouge (A-1) et vert (A-2).

NOTE : LA CLÉ DE SÉCURITÉ EST DOTÉE D'UN TROU PERMETTANT DE L'ACCROCHER SUR UN CLOU, HORS DE LA PORTÉE DES ENFANTS.



AVERTISSEMENT : UNE LAME EN ROTATION PEUT CAUSER DE SÉRIEUSES BLESSURES. POUR ÉVITER TOUT RISQUE DE BLESSURE GRAVE, TOUJOURS RETIRER LA CLÉ DE SÉCURITÉ DE LA TONDEUSE AVANT DE LA LAISSER SANS SURVEILLANCE, DE LA CHARGER, LA NETTOYER, L'ENTREtenir, LA TRANSPORTER OU DE LA RANGER.

DÉMARRAGE DU MOTEUR

Insérer la clé de sécurité (A-7) dans le bâti du moteur (A-8) et l'enfoncer jusqu'à ce qu'elle repose bien à fond dans le châssis. La tondeuse peut alors servir à l'aide de l'interrupteur.



AVERTISSEMENT : ATTENTION, ORGANE DE COUPE MOBILE ACÉRÉ ! NE JAMAIS TENTER DE DÉSACTIVER CET INTERRUPTEUR OU LE SYSTÈME À CLÉ DE SÉCURITÉ POUR ÉVITER TOUT RISQUE DE BLESSURE GRAVE.

INTERRUPTEUR À LEVIER

La tondeuse est munie d'un interrupteur particulier. Pour l'actionner, il faut saisir la poignée contour (G-1) et l'écraser contre le guidon (G-2). Il faut ensuite pousser fermement l'interrupteur à levier (G-3) vers l'avant jusqu'à ce qu'il s'enclenche en position de marche. Le levier à ressort retourne à sa position initiale. Pour arrêter la tondeuse, il suffit de relâcher la poignée contour.

Lorsque la poignée contour retourne dans sa position initiale, le mécanisme de freinage automatique est actionné. Le système électrique de la tondeuse fait arrêter le moteur et la lame de la tondeuse arrête de tourner en moins de 3 secondes.

CONFORMITÉ AUX NORMES DE L'ORGANISME CPSC

Les tondeuses Black & Decker sont conformes aux normes des organismes américains *American National Standards Institute* et *U.S. Consumer Product Safety Commission*. La lame tourne lorsque le moteur tourne.

INDICATEUR DE L'ÉTAT DE LA PILE

NOTE : L'INDICATEUR NE FONCTIONNE PAS EN MODE DE CHARGEMENT. IL EST ACTIONNÉ LORSQUE LE MOTEUR FONCTIONNE.

La tondeuse Black & Decker comporte un indicateur indiquant l'état de la charge de la pile. Lorsqu'on se sert de la tondeuse, l'indicateur signale continuellement l'état de la pile comme suit.

Lorsque l'aiguille pointe dans la zone verte (H-1), la pile est complètement chargée.

Lorsque l'aiguille pointe dans la zone rouge (H-2), la pile est déchargée.

Avant la première utilisation de la tondeuse, il est conseillé de charger l'appareil pendant toute une nuit afin de s'assurer de la charge complète de la pile. Lorsqu'on met la tondeuse en marche pour la première fois, l'indicateur devrait pointer la zone verte afin de signaler que la pile est complètement chargée.

À mesure qu'on se sert de la tondeuse, on remarque le lent déplacement de l'indicateur alors que la pile se décharge.

NOTE : LORSQUE LA TONDEUSE SERT À COUPER LA PELOUSE, IL EST NORMAL DE VOIR L'INDICATEUR FLUCTUER SELON LES CONDITIONS DE COUPE QUI PRÉVALENT.

Lorsque l'indicateur pointe continuellement la zone rouge, cela signifie que la pile est à plat (même si on peut encore se servir de la tondeuse). Lorsqu'on continue d'utiliser la tondeuse avec une pile déchargée, on risque de minimiser la durée utile des piles et leur rendement.

VOICI DES SUGGESTIONS POUR OPTIMISER LA DURÉE DE FONCTIONNEMENT DE LA TONDEUSE SANS FIL.

1. Ralentir aux endroits où l'herbe est haute et épaisse.
2. Lors du déchiquetage, éviter de couper plus de 37 mm (1 1/2 po) à la fois.
3. Éviter de tondre l'herbe lorsque celle-ci est imbibée de pluie ou de rosée.
4. Couper l'herbe souvent, surtout pendant les périodes de pousse intenses.

NOTE : IL EST CONSEILLÉ DE RECHARGER LA TONDEUSE APRÈS CHAQUE UTILISATION, PEU IMPORTE LA POSITION DE L'INDICATEUR DE CHARGE DE LA PILE. LES CHARGEMENTS RÉPÉTITIFS NE NUISENT PAS AU FONCTIONNEMENT DE LA PILE. ON S'ASSURER DE LA SORTE QUE LA PILE EST COMPLÈTEMENT CHARGÉE ET PRÊTE POUR LA PROCHAINE UTILISATION.

ÉCRAN PROTECTEUR ET PORTE ARRIÈRE

L'écran protecteur (J-1) est conçu pour minimiser l'éjection vers l'arrière, par la lame, de cailloux ou d'autres objets. L'écran et la porte arrière (J-2) minimisent la possibilité de contact entre la lame et les pieds. NE PAS utiliser la tondeuse sans l'écran protecteur et la porte arrière en place.

⚠ AVERTISSEMENT : Attention, organe de coupe mobile acéré ! Pour votre sécurité, NE PAS utiliser la tondeuse sans le sac à herbe ou la plaque de déchiquetage en position de fonctionnement pour éviter tout risque de blessure grave.

⚠ AVERTISSEMENT : Attention, organe de coupe mobile acéré ! Ne pas utiliser la tondeuse si la porte arrière n'est pas fermée et sous la tension du ressort pour éviter tout risque de blessure grave. Apporter la tondeuse chez le centre de service ou le dépositaire le plus proche pour toute réparation.

RETRAIT DE LA PLAQUE DE DÉCHIQUETAGE

Pour enlever la plaque de déchiquetage (J-3) (lorsqu'on préfère utiliser un sac à herbe ou projeter les brins d'herbe par le couloir d'éjection facultatif), il suffit de respecter les étapes suivantes.

1. Mettre la tondeuse hors tension, attendre l'immobilisation de la lame et retirer la clé de sécurité (A-7).
2. Soulever la porte arrière (J-2) et la retenir.
3. Placer la main dans la poignée (J-4) de la façon illustrée, puis soulever et tirer la plaque de déchiquetage (J-3).
4. La porte arrière est munie d'un ressort. Elle retourne automatiquement en place lorsqu'on la relâche.

INSTALLATION DE LA PLAQUE DE DÉCHIQUETAGE

1. Répéter les étapes 1 et 2 précédentes.
2. Faire glisser la plaque de déchiquetage (J-3) dans l'ouverture d'éjection jusqu'à ce qu'elle repose fermement contre le tablier.
3. Relâcher la porte arrière et s'assurer qu'elle est bien fermée.

INSTALLATION DU SAC À HERBE

1. Soulever la porte arrière (K-1) à la verticale en la faisant glisser entre les barres latérales du guidon et la maintenir dans cette position. S'assurer que la plaque de déchiquetage (J-3) a été retirée au préalable.
2. Soulever le sac à herbe (K-2) par sa poignée (K-3) et le placer entre les barres latérales du guidon de la façon illustrée.
3. Placer les crochets de suspension du sac (K-4) sur la tondeuse de la façon illustrée à la figure L. Relâcher la porte arrière.

⚠ AVERTISSEMENT : Attention, organe de coupe mobile acéré ! Ne jamais utiliser la tondeuse sans les crochets de suspension du sac à herbe correctement installés sur la tondeuse et la porte arrière fermée hermétiquement contre le dessus du sac pour éviter tout risque de blessure grave.

CONSEILS RELATIFS À LA TONTE

NOTE : TOUJOURS VÉRIFIER LA ZONE OÙ ON UTILISE LA TONDEUSE ET EN ENLEVER TOUS LES CAILLOUX, BÂTONS, FILS, OS OU AUTRES DÉBRIS QUI POURRAIENT ÊTRE PROJETÉS PAR LA LAME EN MOUVEMENT.

1. Tondre en travers dans le cas d'une pente et non en va-et-vient vertical. Faire attention lorsqu'on change de sens sur une pente. Ne pas tondre les pentes abruptes. Toujours garder son équilibre.
2. Relâcher la poignée contour pour traverser les zones recouvertes de gravier (celui-ci projeté pouvant causer des blessures).
3. Lorsque la surface est rugueuse ou l'herbe est haute, choisir la position de coupe la plus élevée.
4. Lorsqu'on utilise un sac à herbe pendant la saison de croissance rapide, celui-ci peut se bloquer à l'orifice d'évacuation. Mettre la tondeuse hors tension et retirer la clé de sécurité. Enlever le sac à herbe et le secouer de sorte que les brins d'herbe aillent au fond du sac. De plus, nettoyer l'orifice d'évacuation. Remettre le sac en place.
5. Lorsque la tondeuse commence à vibrer de façon anormale, mettre la tondeuse HORS TENSION et retirer la clé de sécurité. Rechercher immédiatement la cause des vibrations. Ces dernières sont habituellement un signe de dérangement. Ne pas utiliser la tondeuse avant de l'avoir vérifiée.
6. **TOUJOURS METTRE LA TONDEUSE HORS TENSION ET RETIRER LA CLÉ DE SÉCURITÉ AVANT DE LA LAISSER SANS SURVEILLANCE, MÊME POUR UNE PÉRIODE DE COURTE DURÉE.**

CONSEILS RELATIFS À LA DÉSINTÉGRATION DES BRINS D'HERBE

La tondeuse sort de l'usine avec la plaque de déchetage en place.

En mode de déchetage, la tondeuse coupe les brins d'herbe en petites pièces et les distribue sur la pelouse. Dans des conditions normales, l'herbe déchetée se décompose rapidement afin de nourrir la pelouse.

Prière de relire les recommandations suivantes afin d'optimiser le rendement du mode de déchetage.

1. Éviter de tondre l'herbe lorsqu'elle est mouillée par la pluie ou la rosée. Les brins d'herbe mouillés forment des touffes difficiles à déchetage et leur coupe réduit la durée de fonctionnement. Le meilleur moment pour tondre l'herbe consiste en la fin de l'après-midi alors que l'herbe est sèche et que la pelouse fraîchement tondue n'est pas exposée aux rayons directs du soleil.
2. Afin d'optimiser les résultats, régler la hauteur de coupe de la tondeuse de sorte que celle-ci ne coupe que le tiers de la hauteur des brins d'herbe (idéalement, pas plus de 37 mm (1 1/2 po) à la fois). Lorsque l'herbe est haute, il peut être nécessaire d'augmenter la hauteur de coupe afin de réduire les efforts et de prévenir la surcharge du moteur. Lorsque le déchetage est intense, il est préférable de couper d'abord l'herbe à une hauteur élevée, puis de repasser à la hauteur voulue. Sinon, faire des coupes étroites et lentes.
3. Afin d'optimiser le rendement, nettoyer toute accumulation d'herbe du tablier de la tondeuse. De temps en temps, arrêter la tondeuse et attendre l'immobilisation complète de la lame. Puis retirer la clé de sécurité et retourner la tondeuse sur le côté. Utiliser un objet comme un bâton pour enlever les accumulations de brins d'herbe autour de la lame. Prendre soin de ne pas se blesser sur les arêtes tranchantes de la lame. La nettoyer souvent lorsque l'herbe est mouillée au printemps et toujours la nettoyer après chaque utilisation.
4. Selon le type d'herbe et les conditions prévalant, il peut être nécessaire de passer la déchetageuse une deuxième fois sur une surface afin de désintégrer complètement les brins d'herbe. Pour la deuxième passe, tondre dans le sens perpendiculaire à celui de la première passe. **NE PAS TONDRE DE FAÇON PERPENDICULAIRE LORSQUE CELA NÉCESSITE LA TONTE DE L'HERBE DE HAUT EN BAS D'UNE PENTE.**
5. Modifier le plan de coupe d'une semaine à l'autre. Cette mesure prévient la formation d'une couche de brins d'herbe sur la pelouse.

AFFÛTAGE DE LA LAME

S'ASSURER QUE LA LAME EST TOUJOURS AFFÛTÉE AFIN D'OPTIMISER LE RENDEMENT DE LA TONDEUSE. UNE LAME ÉMOUSSÉE NE COUPE PAS L'HERBE UNIFORMÉMENT.

PORTER DES LUNETTES DE SÉCURITÉ LORSQU'ON RETIRE, INSTALLE OU AFFÛTE LA LAME. S'ASSURER DU RETRAIT DE LA CLÉ DE SÉCURITÉ.

Dans la plupart des cas, il suffit d'affûter la lame deux fois pendant la saison de coupe. Lorsque le sol est sablonneux, il est conseillé de l'affûter plus souvent puisque le sable émousse la lame.

REEMPLACER IMMÉDIATEMENT UNE LAME PLIÉE OU ENDOMMAGÉE.

AFFÛTAGE DE LA LAME

1. S'assurer que la lame est toujours équilibrée.
2. Affûter dans l'angle original de coupe de la lame.
3. Affûter les arêtes tranchantes des deux extrémités de la lame en retirant une quantité égale de matériau aux deux extrémités.

AFFÛTAGE D'UNE LAME DANS UN ÉTAU

1. S'assurer du dégagement du levier de l'interrupteur, de l'immobilité de la lame et du retrait de la clé de sécurité avant d'enlever la lame.
2. Enlever la lame de la tondeuse. Consulter les rubriques relatives au retrait et à l'installation de la lame.
3. Fixer la lame (M-1) dans un étau (M-2).
4. Porter des lunettes de sécurité et prendre soin de ne pas se couper.
5. Limer avec soin les arêtes tranchantes de la lame avec une lime à dents fines (M-3) ou une meule.
6. Vérifier l'équilibrage de la lame (consulter la rubrique appropriée).
7. Remettre la lame en place et bien la serrer. Voir les directives plus loin.

ÉQUILIBRAGE DE LA LAME

Vérifier l'équilibrage de la lame en accrochant cette dernière par son trou central (N-1) sur un clou ou un tournevis (N-2) retenu horizontalement dans un étau (N-3). Lorsqu'une extrémité de la lame s'abaisse, meuler ou limer cette extrémité. La lame est bien équilibrée lorsqu'aucun bout ne s'abaisse.

RETRAIT ET INSTALLATION DE LA LAME

1. METTRE LA TONDEUSE HORS TENSION, ATTENDRE L'IMMOBILISATION DE LA LAME ET RETIRER LA CLÉ DE SÉCURITÉ.
2. Utiliser un morceau de bois (2 X 4) d'environ 2 pi de long afin d'empêcher la lame de tourner lorsqu'on retire l'écrou de la lame.
3. Retourner la tondeuse sur le côté. Porter des gants. Installer le morceau de bois et retirer l'écrou de la manière illustrée à la figure P.
4. À l'aide d'une clé de 19 mm (3/4 po) (P-2), retirer l'écrou de la lame (P-3) en le faisant tourner dans le sens indiqué par la flèche.
5. Retirer l'écrou de la lame (Q-1), la rondelle carrée (Q-2), la rondelle d'étanchéité (Q-3) et la lame (Q-4).
6. Pour réinstaller la lame, la placer en s'assurant que les arêtes tranchantes se trouvent près du sol. (La lame porte la mention «Grass side» qui devrait être visible lorsque la lame est bien installée.) Examiner la figure Q pour l'installation des composants. S'assurer que les rebords de la rondelle d'étanchéité (Q-3) se fixe sur le rebord de la lame. Aligner les côtés plats de la rondelle d'étanchéité (Q-3) sur ceux de l'arbre. Replacer le morceau de bois (R-1) pour empêcher l'arbre de tourner et bien serrer l'écrou de la lame dans le sens indiqué par la flèche dans la figure R.

LUBRIFICATION

Ne pas lubrifier. Ne pas graisser les roues. Celles-ci comportent des roulements en plastique qui ne nécessitent aucune lubrification.

NETTOYAGE

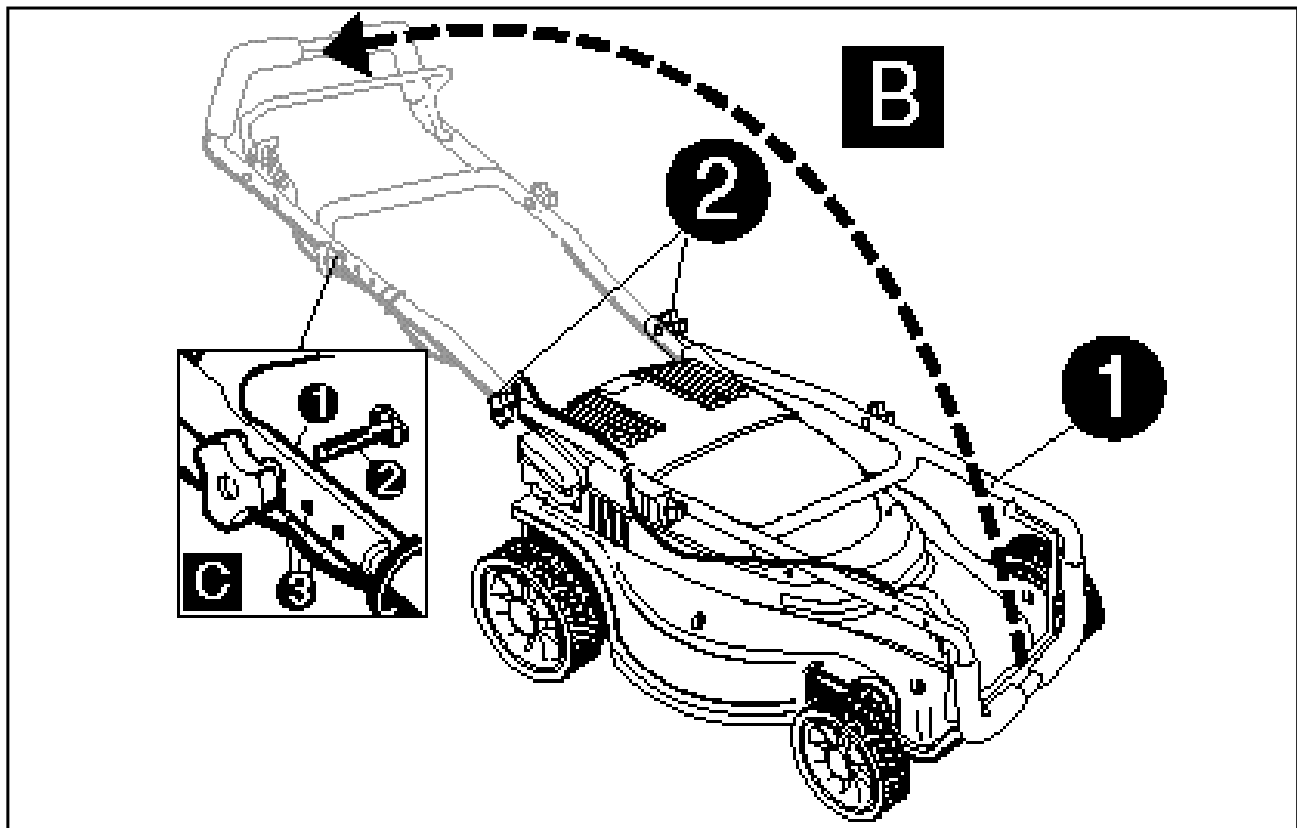
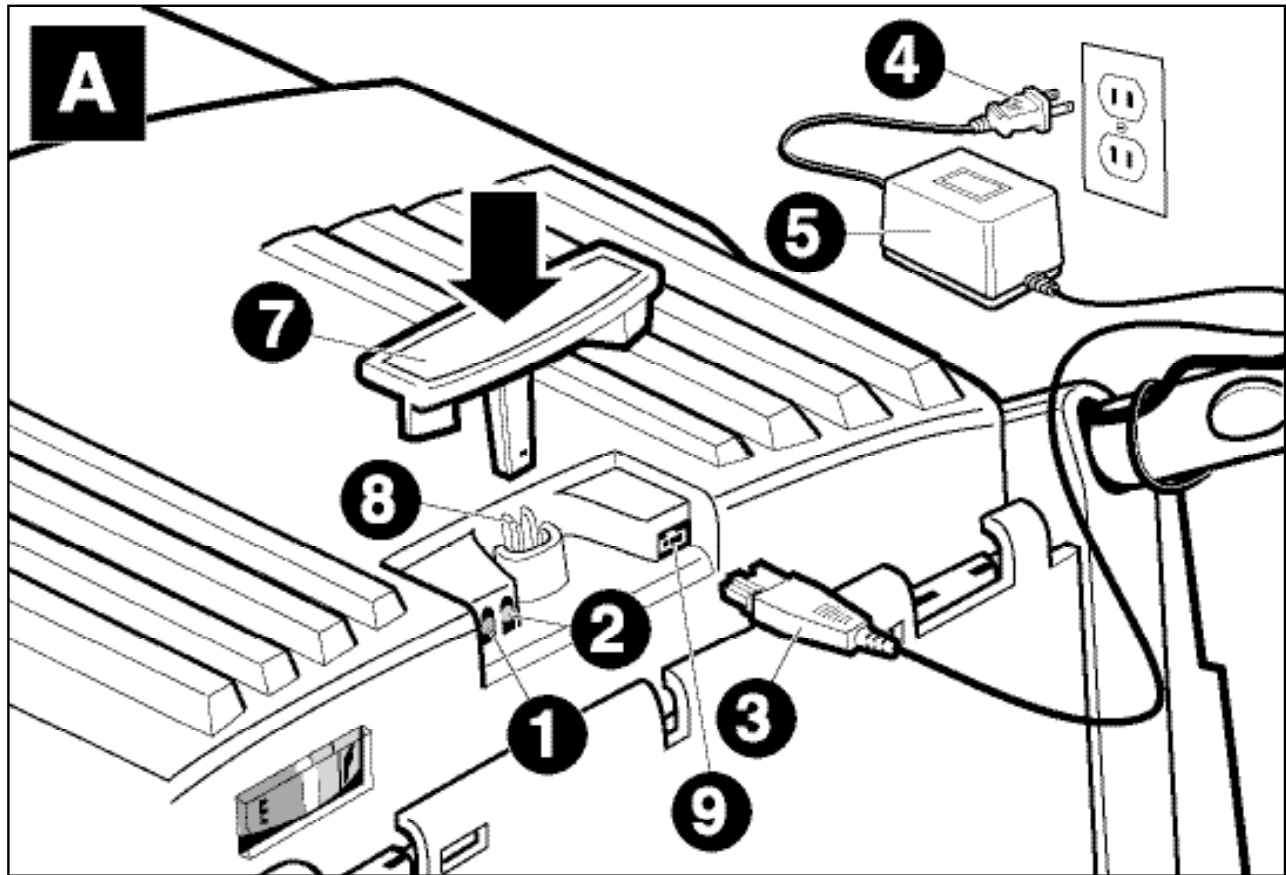
METTRE LA TONDEUSE HORS TENSION, ATTENDRE L'IMMOBILISATION DE LA LAME ET RETIRER LA CLÉ DE SÉCURITÉ. Utiliser seulement un chiffon humide et du savon doux pour nettoyer la tondeuse. Enlever tous les brins d'herbe qui se sont accumulés sous le tablier. Après plusieurs utilisations, s'assurer que tous les boulons et écrous sont bien serrés.

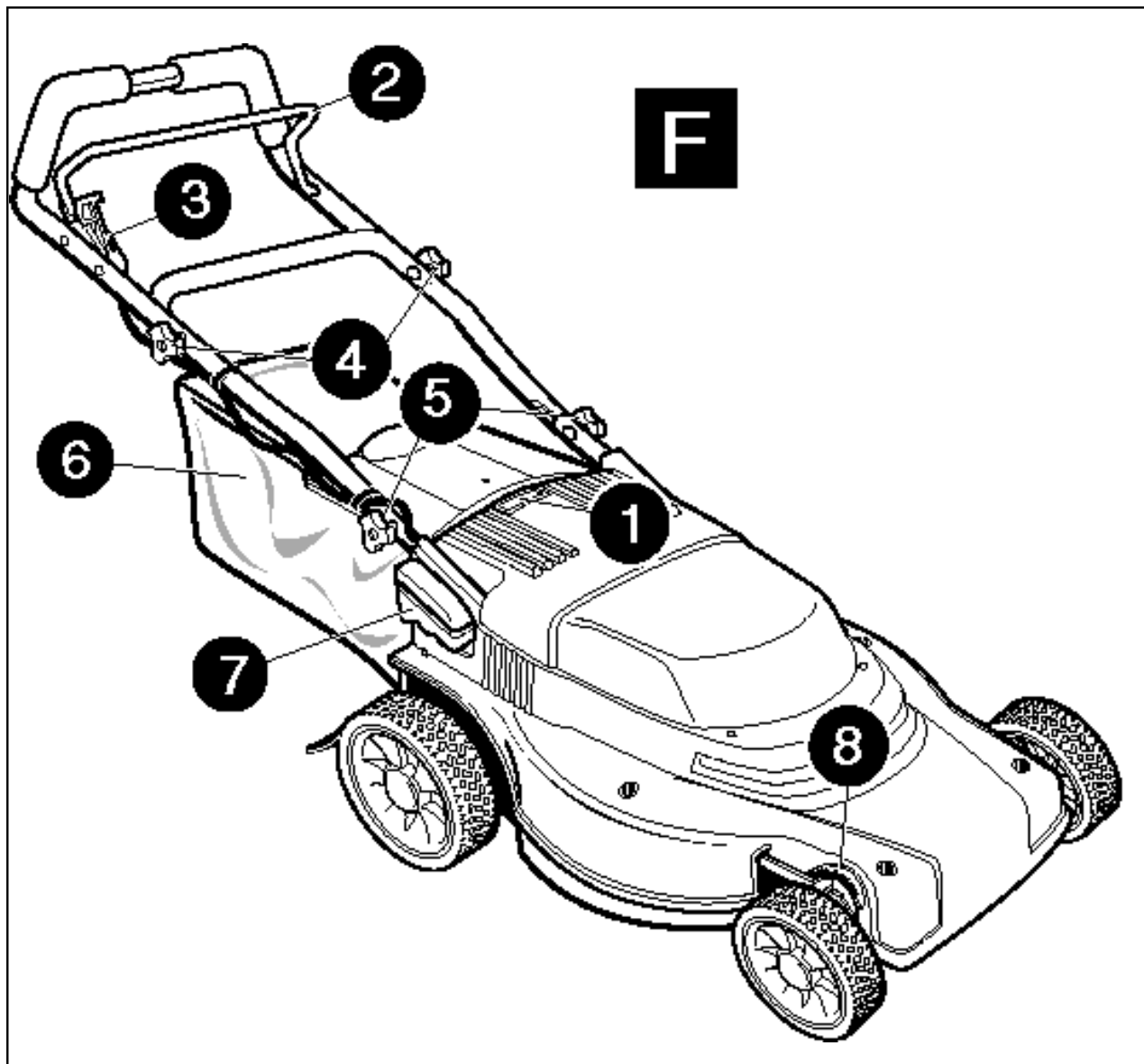
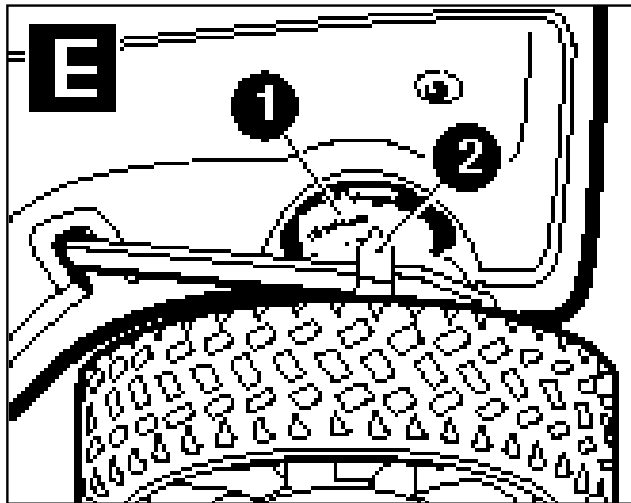
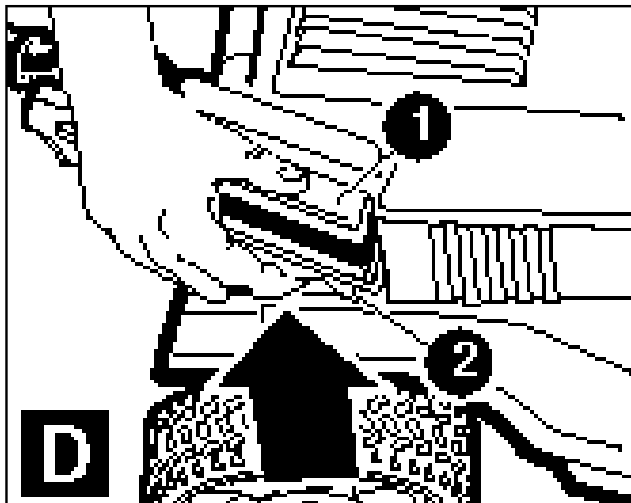
PRÉVENTION DE LA CORROSION

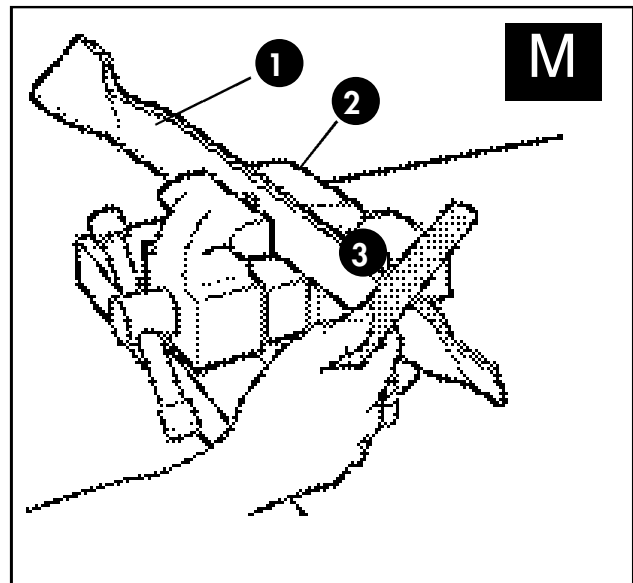
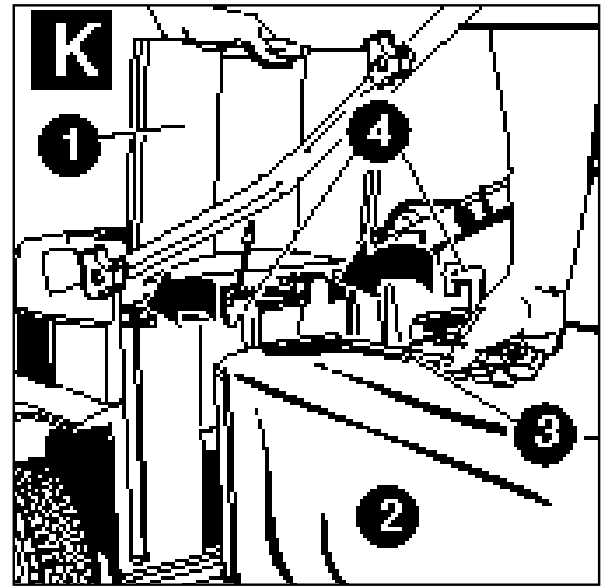
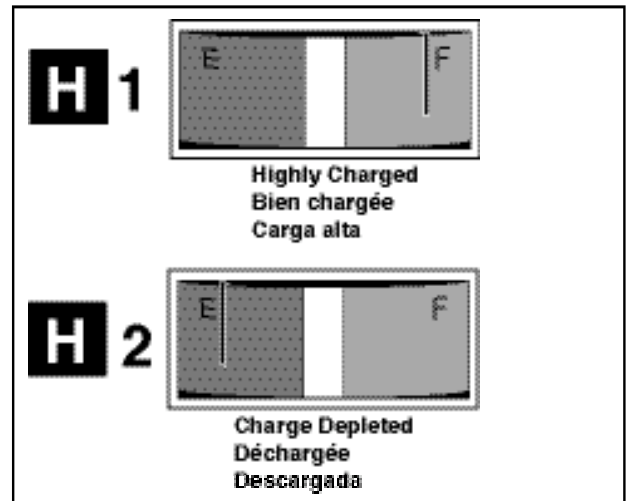
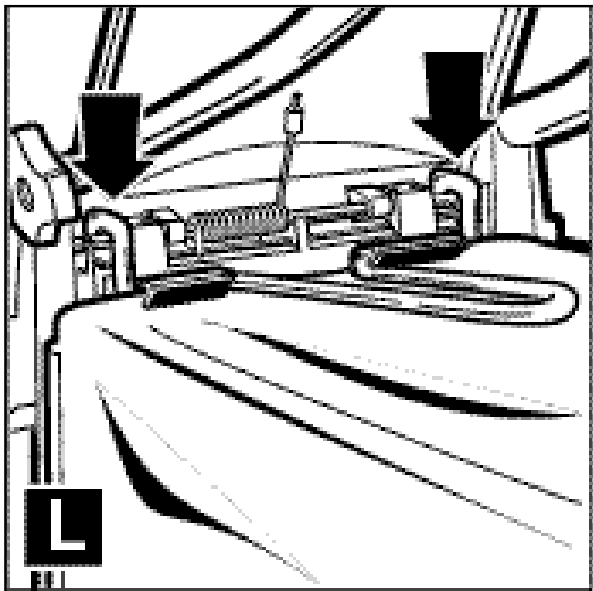
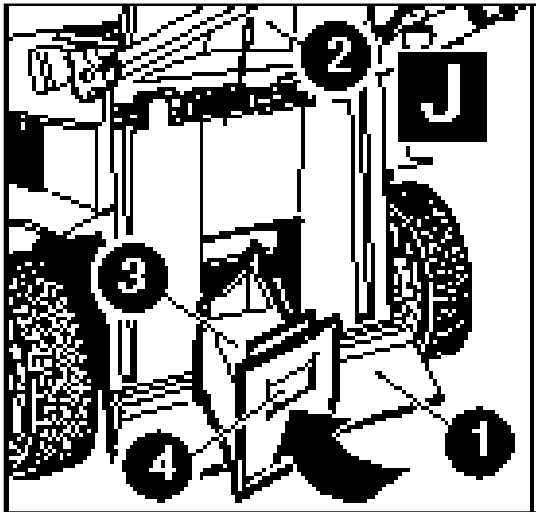
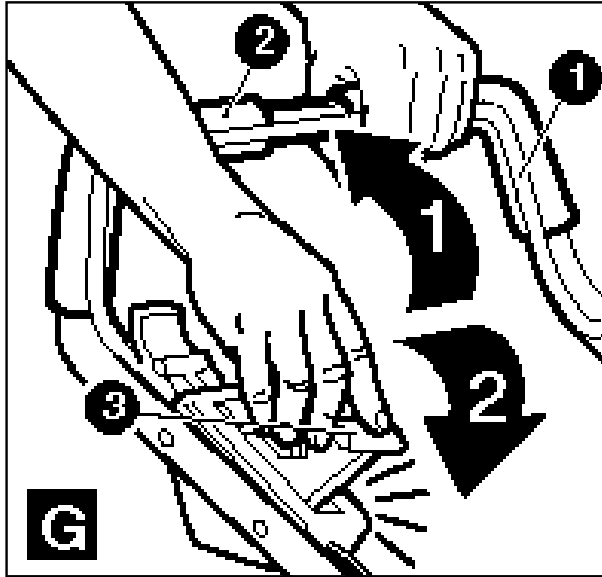
Les produits fertilisants et autres produits de jardinage renferment des agents qui accélèrent grandement le processus de la corrosion des métaux. Lorsqu'on utilise la tondeuse à des endroits où des produits fertilisants ou chimiques ont été répandus, nettoyer immédiatement la tondeuse de la façon suivante : (1) s'assurer que la tondeuse est hors tension et que la clé de sécurité est enlevée, et (2) essuyer toutes les pièces exposées avec un chiffon humide.

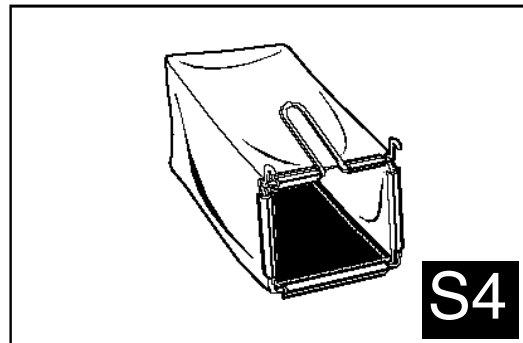
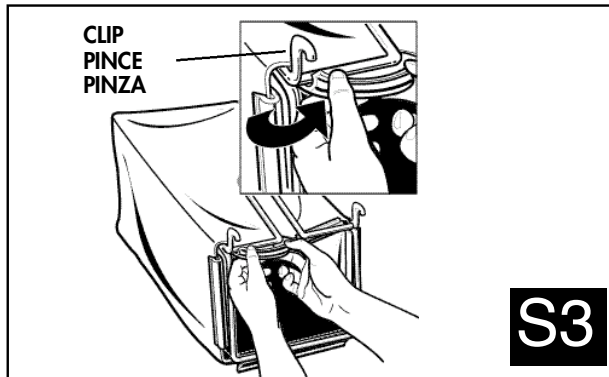
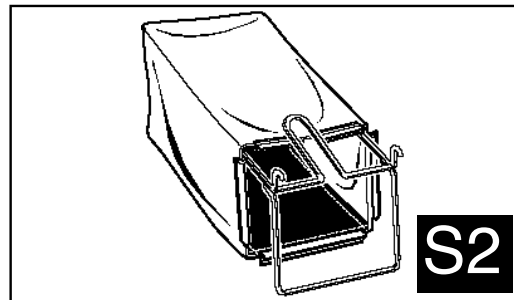
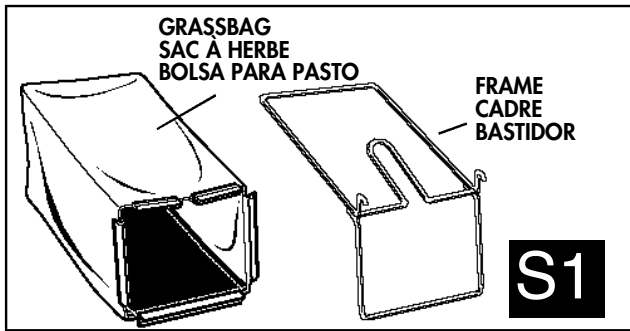
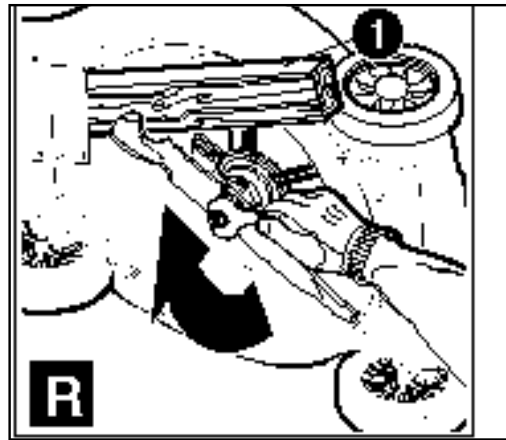
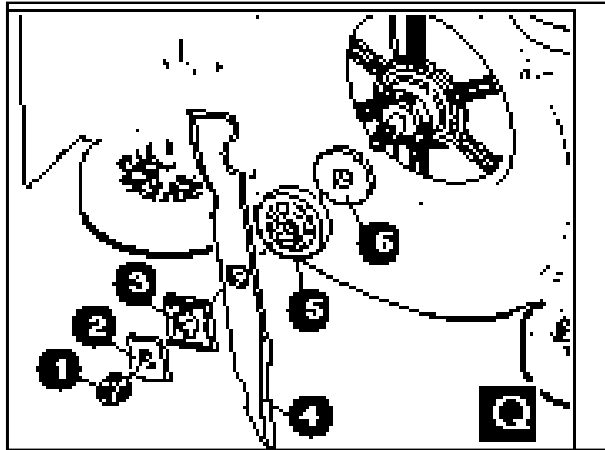
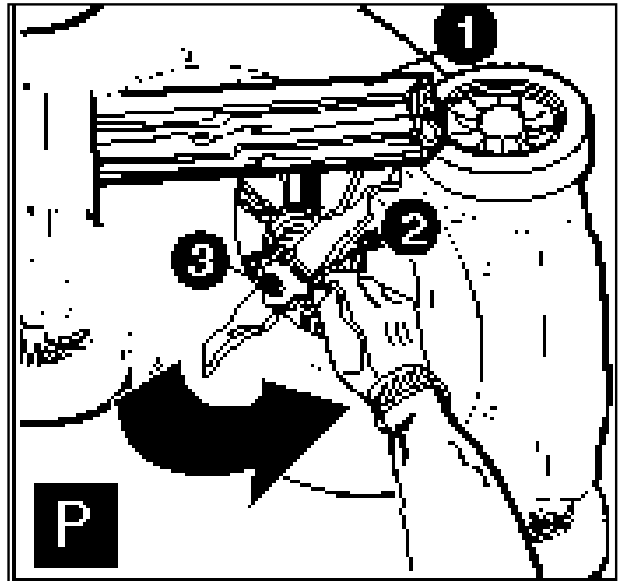
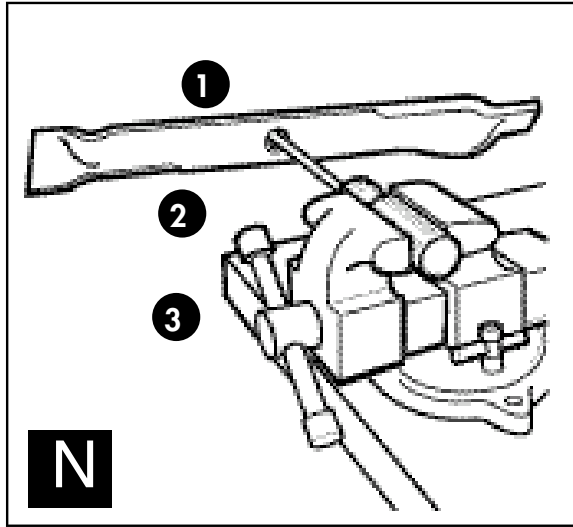
ATTENTION : NE PAS ARROSER LA TONDEUSE NI VERSER DE L'EAU SUR CELLE-CI DANS LE BUT DE LA NETTOYER.

Ne pas ranger la tondeuse sur des produits fertilisants ou chimiques, ni près de ceux-ci car il peut en entraîner la corrosion rapide.









RANGEMENT

⚠ AVERTISSEMENT : Une lame en rotation peut causer de sérieuses blessures. Toujours arrêter la tondeuse et retirer la clé de sécurité avant de soulever, transporter ou ranger la tondeuse. La ranger dans un endroit sec. En se basant sur des coupes saisonnières régulières, votre tondeuse coupera jusqu'à 1765 mètres carré (19.000 pieds carré) sans être rechargée. Au printemps, alors que l'herbe est dense, il se peut que la surface de coupe diminue. À l'inverse au milieu de l'été, alors que l'herbe est plus rare, cette surface augmentera. En automne, lorsque l'herbe est humide, elle diminuera.

POUR TIRER LE MEILLEUR PARTI DE LA TONDEUSE SANS FIL BLACK & DECKER...ET DE LA PELOUSE.

1. L'herbe doit d'abord être taillée au printemps quand sa hauteur varie entre 2,5 à 3 po. Une taille précoce peut être préjudiciable au système de renouvellement printanier des racines. L'extrémité des nouvelles pousses devrait être taillée quand celles-ci atteignent une hauteur de 2,5 po.
2. Ne pas couper en profondeur d'un seul coup...pas plus d'un tiers de la hauteur du brin à chaque passage. Le fait de couper trop court peut grandement nuire aux parties fragiles de l'herbe. Il en résulte un système de racines superficielles qui atteignent difficilement l'eau du sol.
3. Les experts en pelouse disent que des coupes continuellement trop courtes causent la plupart des problèmes rencontrés. La profondeur et la vigueur des racines sont presque exactement proportionnelles à celles de la partie hors terre. L'herbe des pelouses mûres est souvent endommagée sérieusement lorsqu'on la taille à moins de 1,5 po. Il vaut mieux tailler à une hauteur variant entre 1,5 à 2 po les pelouses de grande étendue.
4. Tailler la pelouse quand l'herbe est sèche pour éviter l'agglutination d'herbe humide. Lorsque c'est possible, tailler l'herbe à la fin de l'après-midi, non seulement à cause de la sécheresse de l'herbe mais également pour éviter d'exposer au soleil les parties sensibles de l'herbe fraîchement coupée.
5. Maintenir la lame de la tondeuse bien affûtée pour assurer une coupe nette. Une lame émoussée brise les brins d'herbe, nuit à la santé de la pelouse et en augmente les risques de maladie. Une lame émoussée meurtrit la pointe des brins d'herbe et leur donne une apparence brune. Elle peut également arracher les jeunes pousses.
6. Même s'il faut parfois modifier la hauteur de coupe (lors de changements de saison), s'efforcer de toujours tailler le gazon à la même hauteur. Il faudra le faire plus souvent pendant les périodes de croissance rapide. La récompense en sera une pelouse belle et en santé avec seulement quelques rares mauvaises herbes. Des coupes fréquentes évitent de montrer la partie basse de la pelouse, qui en est la partie la moins attrayante.
7. Lorsque la pelouse a trop poussé (des vacances, par exemple, peuvent interrompre le plan de coupe), tailler à une ou deux positions plus hautes que la normale. Une deuxième passe à hauteur normale quelques jours plus tard rétablira le plan de coupe. La hauteur de coupe dans ces situations se change simplement grâce au réglage monotouche de la hauteur de coupe de Black & Decker.
8. Au printemps et en automne (ou après une interruption du plan de coupe), l'herbe est longue et dense. Lorsque le moteur ralentit continuellement pendant la tonte, régler les roues à une hauteur de coupe supérieure. La surcharge du moteur entraîne une tonte inégale et une décharge rapide de l'ensemble de piles ou le déclenchement du disjoncteur, ce qui arrête le moteur.
9. Enfin, voici trois bonnes idées pour rehausser l'apparence de la pelouse : varier souvent le sens de la coupe, tailler horizontalement le dessus des monticules (il s'agit également d'une bonne mesure de sécurité) et ne pas oublier de chevaucher la partie déjà tondue à chaque passe.
10. Toujours tondre de sorte que les brins d'herbe soient projetés sur la partie tondue de la pelouse. On évite ainsi les accumulations de brins d'herbe qui brunissent éventuellement. Cette mesure préserve également la durée de l'ensemble de piles afin d'optimiser le rendement de la tondeuse électrique sans fil Black & Decker.
11. Au printemps et en automne, lorsque l'herbe est longue et dense, on peut utiliser la tondeuse même si elle n'est pas complètement rechargée (lorsque le témoin vert n'est pas allumé). On peut ainsi effectuer des coupes de courte durée, mais il n'est pas conseillé de le faire. La pile et la tondeuse fonctionnent mieux lorsque la pile est complètement chargée.

LISTE DE VÉRIFICATION DES PROBLÈMES

<u>PROBLÈME</u>	<u>SOLUTION</u>
1. Impossibilité de démarrer	<p>A. S'assurer que la clé de sécurité est insérée.</p> <p>B. S'assurer que la poignée contour et l'interrupteur à levier sont en position hors tension. Retirer la clé de sécurité, retourner la tondeuse et vérifier si la lame tourne librement.</p> <p>C. L'ensemble de piles est-il complètement chargé? Brancher le chargeur et s'assurer que le témoin vert est allumé.</p>
2. Arrêt du moteur pendant la tonte	<p>A. S'assurer que la poignée contour et l'interrupteur à levier sont en position hors tension. Retirer la clé de sécurité, retourner la tondeuse et vérifier si la lame tourne librement.</p> <p>B. Régler la tondeuse à la hauteur maximale et faire démarrer la tondeuse.</p> <p>C. L'ensemble de piles est-il complètement chargé? Brancher le chargeur et s'assurer que le témoin vert est allumé.</p> <p>D. Le disjoncteur peut s'être déclenché. Le régler de nouveau; cela peut prendre une minute. Ralentir la coupe ou élever la hauteur de coupe.</p>
3. Tonte inégale ou incomplète	<p>A. L'ensemble de piles est-il complètement chargé? (Voir la solution C au problème n° 1.)</p> <p>B. S'assurer que la poignée contour et l'interrupteur à levier sont en position hors tension. Retirer la clé de sécurité, retourner la tondeuse et vérifier si :</p> <ul style="list-style-type: none"> • la lame est émoussée; • le tablier et le couloir d'éjection sont bloqués. <p>C. La hauteur des roues est inférieure à celle requise pour tondre la pelouse. Régler et essayer de nouveau.</p>
4. Tondeuse difficile à manier	<p>A. Augmenter la hauteur de coupe de façon à réduire la friction du tablier contre l'herbe. Vérifier si chaque roue tourne librement.</p>
5. Tondeuse bruyante et vibrations	<p>A. S'assurer que la poignée contour et l'interrupteur à levier sont en position hors tension. Retirer la clé de sécurité, retourner la tondeuse et vérifier si la lame est pliée ou endommagée. Le cas échéant, la remplacer par une nouvelle lame Black & Decker. Lorsque l'intérieur du tablier est endommagé, retourner la tondeuse à un atelier d'entretien autorisé Black & Decker.</p> <p>B. Lorsque la lame ne semble pas endommagée et que la tondeuse vibre toujours, la retourner à un atelier d'entretien autorisé Black & Decker.</p>

NOTE

Lorsque le témoin rouge reste allumé au bout de 24 heures de chargement lors de la première charge, on peut utiliser la tondeuse. Il peut être nécessaire de charger et de décharger la pile à quelques reprises avant que s'allume le témoin vert.

LA PRÉSENTE LISTE NE SERT QU'À VÉRIFIER CERTAINS PROBLÈMES ET À EFFECTUER DE SIMPLES ESSAIS. LORSQU'AUCUNE DES SOLUTIONS PROPOSÉES NE CONVIENT, CONFIER L'ENTRETIEN DE LA TONDEUSE AU CENTRE DE SERVICE BLACK & DECKER AUTORISÉ DE LA RÉGION.

Important

Pour assurer la SÉCURITÉ D'EMPLOI et la FIABILITÉ de l'outil, n'en confier la réparation et les rajustements (y compris l'inspection et le remplacement des balais) qu'à un centre de service BLACK & DECKER ou à un atelier d'entretien autorisé n'utilisant que les seules pièces de rechange BLACK & DECKER. Utiliser SEULEMENT DES PIÈCES DE RECHANGE IDENTIQUES.

Récupération des piles

Le produit renferme une pile au plomb-acide qui doit être recyclée. Ne pas la jeter avec les rebus. Il faut retourner la pile à un centre de service Black & Decker pour qu'elle y soit recyclée ou il faut la retourner à tout centre de récupération des piles au plomb-acide.

Accessoires

▲ MISE EN GARDE : Voici la liste des accessoires recommandés pour la tondeuse. L'utilisation de tout autre accessoire peut être dangereuse.

Les accessoires inscrits dans le présent guide sont vendus séparément aux centres de service Black & Decker.

SD-1000	COULOIR D'ÉJECTION LATÉRAL
MC-1000	SAC À HERBE DE RECHANGE
MB-1000	LAME DE RECHANGE

CONSERVER CES MESURES À TITRE DE RÉFÉRENCE.

Renseignements relatifs au service

Black & Decker exploite un réseau complet de centres de service et d'ateliers d'entretien autorisés par toute l'Amérique du Nord. Le personnel de tous les centres de service Black & Decker a reçu la formation voulue pour assurer l'entretien efficace et fiable des outils électriques.

Pour obtenir des renseignements d'ordre technique, des conseils relatifs aux réparations ou des pièces de rechange d'origine, communiquer avec le centre de service Black & Decker de la région.

On peut trouver l'adresse du centre de service de la région dans l'annuaire des Pages jaunes à la rubrique «Outils électriques» ou en composant le numéro suivant : **1 800 544-6986**.

GARANTIES

Garantie complète de deux ans pour utilisation domestique

Black & Decker garantit le produit pour une période de deux ans contre les vices de matière ou de fabrication. Le produit défectueux sera réparé ou remplacé sans frais conformément à l'une des conditions suivantes.

Pour échanger l'outil, il suffit de le retourner au détaillant (si le détaillant participe au programme d'échange rapide Black & Decker). Le retour doit être effectué dans les délais impartis par la politique de retour du détaillant (habituellement entre 30 et 90 jours suivant la date d'achat). Le détaillant peut exiger une preuve d'achat. Prière de vérifier la politique de retour du détaillant au-delà des délais impartis.

On peut également retourner l'outil (port payé) à un centre de service Black & Decker ou à tout autre atelier d'entretien accrédité pour y être remplacé ou réparé, à notre gré. On peut exiger une preuve d'achat. Les adresses des centres de service Black & Decker se trouvent à la rubrique «Outils électriques» des Pages Jaunes.

La présente garantie ne vaut pas pour les accessoires. Les modalités de la présente garantie donnent des droits légaux spécifiques. L'utilisateur peut également se prévaloir d'autres droits selon l'état ou la province qu'il habite. Pour obtenir de plus amples renseignements, communiquer avec le directeur du centre de service Black & Decker de la région.

Garantie du châssis

Le châssis est garanti à vie seulement contre les vices de matière ou de fabrication.

Le produit n'est pas conçu pour une utilisation commerciale.

Importé par
Black & Decker Canada Inc.
100 Central Ave.
Brockville (Ontario) K6V 5W6

Voir la rubrique "Outils électriques"
des Pages jaunes
pour le service et les ventes.



REGLAS DE SEGURIDAD IMPORTANTES

⚠ ADVERTENCIA: Es indispensable sujetarse a ciertas precauciones básicas de seguridad con la finalidad de reducir el peligro de incendio, choque eléctrico y lesiones personales, en todas las ocasiones en que se utilicen herramientas eléctricas. Entre estas precauciones se incluyen las siguientes:

⚠ ADVERTENCIA: Parte del polvo originado por este producto contiene químicos que en el Estado de California se consideran como causantes de cáncer, defectos congénitos u otros daños reproductivos. Algunos ejemplos de estos químicos son:

- compuestos en fertilizantes
- compuestos en insecticidas, herbicidas y pesticidas
- arsénico y cromo de madera tratada químicamente

Para reducir su exposición a estos químicos, utilice equipo de seguridad aprobado como máscaras contra polvo diseñadas específicamente para filtrar partículas microscópicas.

⚠ ADVERTENCIA: Este producto contiene químicos, incluyendo plomo, que en el Estado de California se consideran como causantes de cáncer y defectos congénitos u otros daños reproductivos. Lave sus manos después de manejarlo.

- **CONOZCA SU PODADORA.** Lea el manual cuidadosamente. Familiarícese con los controles y el uso apropiado de su unidad.
- **EVITE AMBIENTES PELIGROSOS.** No utilice su podadora bajo la lluvia o en lugares inundados o húmedos, ni en atmósferas gaseosas o explosivas. Los motores de estas herramientas producen chispas normalmente, que pueden provocar la ignición de gases explosivos.
- **EMPLEE EQUIPO DE PROTECCION.** Utilice anteojos de seguridad cuando pade (los anteojos normales no son de seguridad). Utilice una máscara para polvo si la operación que realiza lo produce. Los anteojos de seguridad están a su disposición con su distribuidor Black & Decker.
- **ESTE ALERTA.** Concéntrese en lo que hace. Utilice el sentido común. No opere la podadora cuando esté cansado.
- **CONSERVE LAS GUARDAS Y LOS PROTECTORES EN SU LUGAR** y funcionando correctamente.
- **PROTEJASE CONTRA EL CHOQUE ELECTRICO.** Repare o reemplace inmediatamente el cable si está dañado.
- **PELIGRO: ALEJESE DE LA ZONA DE LA CUCHILLA.** - Riesgo de corte -Conserve las manos y los pies lejos de la cuchilla. No intente remover el material cortado o destapar el depósito cuando la cuchilla esté en movimiento.
- **DESCONECTE LA PODADORA.** Libere el mango en arco para apagar la podadora y, después de que la cuchilla se haya detenido, quite la llave de seguridad cuando la unidad no esté en uso, antes de hacer ajustes, servicio, limpieza, transportar, levantar y al cambiar la hoja.
- **CONSERVE APARTADOS A LOS NIÑOS.** Todos los visitantes deben estar alejados del área de trabajo.
- **GUARDE LA PODADORA BAJO TECHO.** La podadora debe guardarse en un lugar seco y con cerrojo, sin la llave de seguridad cuando no se use, fuera del alcance de los niños.
- **NO FUERCE LA PODADORA.** Esta cumplirá su función mejor y con más seguridad bajo las especificaciones para las que se diseñó.
- **EMPLEE LA HERRAMIENTA ADECUADA.** No emplee la podadora en una tarea para la que no se diseñó.
- **VISTASE DE LA MANERA ADECUADA.** No use ropas o artículos de joyería flojos, pues podrían quedar atrapados por las partes móviles de las herramientas. Se recomienda el empleo de calzado con suela antiderrapante de buen espesor.
- **NO ABUSE DEL CORDON ELECTRICO.** Nunca tire del cargador por el cordón eléctrico, ni tire de éste para desconectarlo de la toma de corriente. Conserve el cable alejado de calor, aceite y bordes afilados.
- **ADVERTENCIA.** No recargue a la intemperie ni en lugares mojados o inundados.
- **NO SE SOBREETIENDA.** Conserve siempre bien apoyados los pies para no perder el equilibrio.
- **CUIDE SUS HERRAMIENTAS.** Conserve la cuchilla afilada y limpia para que funcione mejor y con mayor seguridad. Siga las instrucciones para el cambio de accesorios.
- **EVITE EL ENCENDIDO ACCIDENTAL.** Asegúrese que la palanca del interruptor y el mango en arco no estén enganchados antes de colocar la llave de seguridad.
- **LOS OBJETOS GOLPEADOS POR LA CUCHILLA DE LA PODADORA** pueden causar lesiones de gravedad a las personas. La podadora debe examinarse siempre y deben eliminarse todos los objetos de la zona de la cuchilla antes de cada uso.
- **SOLAMENTE UTILICE CUCHILLAS DE REPUESTO IDENTICAS.**
- **CUANDO LE EFECTUE SERVICIO** utilice únicamente partes de repuesto idénticas.
- **LEA CUIDADOSAMENTE ESTE MANUAL DE INSTRUCCIONES.** Familiarícese con los controles y el uso apropiado de este equipo.
- **NUNCA PERMITA QUE UN NIÑO OPERE UNA PODADORA ELECTRICA.**
- **CONSERVE EL AREA DE OPERACION LIBRE** de personas, particularmente de niños y mascotas.
- **REVISE CUIDADOSAMENTE EL AREA** en que va a utilizar el equipo y elimine todas las piedras, palos, alambres, huesos y otros objetos extraños que puedan ser lanzados por la podadora.
- **NO OPERE EL EQUIPO SI ESTA DESCALZO O USA SANDALIAS.** Utilice siempre calzado que lo proteja.
- **NUNCA INTENTE AJUSTAR LA ALTURA DE LAS RUEDAS CON EL MOTOR EN FUNCIONAMIENTO** o mientras la llave de seguridad esté conectada.
- **PODE UNICAMENTE A LA LUZ DEL DIA O CON BUENA ILUMINACION ARTIFICIAL.**
- **NUNCA UTILICE ESTE EQUIPO EN CESPED MOJADO.** Asegúrese de apoyar bien sus pies; sujete el mango con firmeza y camine, nunca corra.
- **NO COLOQUE LAS MANOS O LOS PIES CERCA O DEBAJO DE LAS PARTES GIRATORIAS.** Alejese siempre de la abertura de descarga.
- **SUELTE EL MANGO EN ARCO PARA APAGAR LA PODADORA** cuando atraviere senderos de grava, aceras, etc.
- **EN CASO QUE LA PODADORA SE ATASQUE,** asegúrese de soltar el mango para apagarla y espere a que la cuchilla se detenga, saque la llave de seguridad antes de intentar desbloquear la salida de descarga o quitar cualquier objeto de debajo de la cubierta.
- **DESPUES DE GOLPEAR UN OBJETO EXTRAÑO,** suelte mango para apagar la podadora y espere a que la cuchilla se detenga, saque la llave de seguridad, revise cuidadosamente la podadora en busca de cualquier daño y repárelo si es que existe antes de encender la máquina de nuevo y volver a operarla.
- **SI EL EQUIPO EMPIEZA A VIBRAR DE MANERA ANORMAL** suelte el mango, saque la llave de seguridad y busque la causa inmediatamente. Las vibraciones normalmente son advertencia de problemas.
- **SUELTE EL MANGO** para apagar la podadora y espere a que se detenga la cuchilla, saque la llave de seguridad siempre que deje el equipo, antes de destapar la cubierta o salida del material, limpiar, transportar o levantar la cortadora, y siempre que haga inspección o reparaciones.
- **CUANDO REPARE, LIMPIE O INSPECCIONE,** asegúrese que la cuchilla y otras partes móviles se han detenido.
- **APAGUE EL MOTOR. RETIRE LA LLAVE Y ESPERE A QUE LA CUCHILLA SE DETENGA COMPLETAMENTE** antes de quitar la bolsa para pasto.
- **PODE A TRAVES DE LAS PENDIENTES; NUNCA HACIA ARRIBA Y HACIA ABAJO.** Tenga precaución extrema cuando cambie de dirección en las pendientes. No pade en pendientes muy pronunciadas.
- **NUNCA OPERE LA PODADORA** sin las guardas, placas u otros dispositivos de seguridad en su sitio.

CONSERVE ESTAS INSTRUCCIONES PARA REFERENCIAS FUTURAS.



BUSQUE ESTE SIMBOLO QUE SEÑALA PRECAUCIONES DE SEGURIDAD IMPORTANTES. SIGNIFICA - ¡¡¡ATENCIÓN!!! ¡¡¡ESTE ALERTA!!! SU SEGURIDAD ESTA INVOLUCRADA.

OPERACION Y CUIDADOS A LA BATERIA

⚠ PRECAUCION: UTILICE UNICAMENTE BATERIAS DE REPUESTO APROBADAS POR BLACK & DECKER. COMUNIQUESE CON EL CENTRO DE SERVICIO DE SU LOCALIDAD O LLAME AL (55)5326-7100.

La batería de su podadora inalámbrica es un sistema de 24 volts de ácido de plomo sellado. No contiene ningún líquido, por lo tanto puede guardarse en cualquier posición si temor a que haya fugas.

CARACTERISTICAS ESPECIFICAS

- Para obtener el rendimiento óptimo, la batería debe permanecer en carga constante cuando no se utilice.
- Es preferible cargar la batería en un sitio fresco y seco.
- La batería no necesita descargarse completamente antes de recargarse.
- Pueden requerirse 2 o 3 ciclos de carga (después de la compra) para alcanzar la capacidad de corte máxima.
- La batería se puede guardar con seguridad hasta en temperaturas de -40°C (-40°F).
- La batería no necesita mantenimiento.

CUIDADOS APROPIADOS

- Almacenaje fuera de temporada
 - I. En climas cálidos, para asegurar el rendimiento óptimo, se recomienda que la batería se conserve en carga constante.
 - II. La podadora se puede guardar con el cargador desconectado si se encuentra bajo todas las siguientes condiciones.
 - la podadora está completamente cargada antes de guardarla.
 - la temperatura promedio en el lugar de guardado es inferior a 10°C (50°F)
 - el periodo de almacenaje será menor a 6 meses

SERVICIO E INSTALACION

Su podadora inalámbrica Black & Decker viene con el sistema de baterías completamente ensamblado y listo para usarse. Cuando requiera reparaciones o servicio, se recomienda que lleve la podadora a un centro de servicio autorizado Black & Decker.

Cuando haga servicio o reemplace las baterías tome en cuenta lo siguiente:

- Al final de su vida útil, ambas baterías deben reemplazarse simultáneamente. Mezclar una batería fresca con otra descargada pudiera aumentar la presión interna de las celdas y ocasionar que la batería se rompa.
- Cuando inserte las baterías en este producto debe observar la polaridad o dirección de ellas. Colocar las baterías de manera inversa puede ocasionar fugas o explosiones.

REGLAS DE SEGURIDAD PARA EL CARGADOR

1. Conecte el cargador directamente a una toma de corriente. **NO MALTRATE EL CABLE.** Nunca acarree el cargador por el cable. No desconecte el cargador de la toma de corriente o de la podadora tirando del cable.
2. **⚠ PRECAUCION:** No intente usar este cargador con ningún otro producto para evitar riesgos de choque eléctrico, incendio y lesiones personales. De la misma manera, no intente recargar su podadora con otro cargador.
3. No haga servicio a la podadora con el cargador o con la llave de seguridad instalados.
4. No opere un cargador dañado. Haga cambiar el cable o el cargador dañado inmediatamente por un centro de servicio autorizado Black & Decker.
5. Siempre cargue la podadora en un lugar seco protegido del mal tiempo. No exponga el cargador o la podadora a la lluvia. No cargue la podadora cuando la temperatura se superior a 40°C (104°F) o inferior a 5°C (41°F).
6. Aleje la podadora y el cargador de agua y fuentes de calor (radiadores, calentadores, estufas, etc.), flamas y productos químicos. Tenga cuidado de no dañar el cable del cargador, aléjelo de bordes cortantes.

⚠ ADVERTENCIA: PELIGRO DE INCENDIO

SIEMPRE DESCONECTE EL CARGADOR DE LA TOMA DE CORRIENTE (CONTACTO DE PARED) ANTES DE QUITAR EL CONECTOR. BAJO CIERTAS CONDICIONES, CON EL CARGADOR CONECTADO A LA TOMA DE CORRIENTE, EL CONECTOR AL QUEDAR EXPUESTO, PUEDE HACER CORTOCIRCUITO CON ALGUN MATERIAL EXTRAÑO Y PUEDE OCASIONAR UN INCENDIO. LOS MATERIALES EXTRAÑOS DE NATURALEZA CONDUCTORA, COMO, PERO NO LIMITADOS A ALAMBRE DE ACERO, PAPEL ALUMINIO, O CUALESQUIERA OTRAS PARTICULAS METALICAS, DEBEN CONSERVARSE ALEJADOS DEL CONECTOR. DESCONECTE SIEMPRE EL CARGADOR ANTES DE LIMPIARLO.

POR FAVOR CONSULTE LOS DIAGRAMAS (A, B, C...) Y LOS NUMEROS DE LAS PIEZAS (1, 2, 3...) COMO SE DESCRIBE A LO LARGO DEL MANUAL.

DESEMPACADO

Su podadora se ha ensamblado completamente en la fábrica, con excepción de la bolsa para pasto.

Para sacar la podadora de la caja:

1. Saque el bastidor de la bolsa para pasto y los rellenos de cartón.
2. Saque la podadora de la caja y coloque las cuatro ruedas sobre el piso.
3. Revise la caja y asegúrese que no haya piezas sueltas.

Para desplegar el mango

Levante la sección B-1 del mango hasta su posición y asegúrela apretando las dos perillas inferiores B-2. Quite la llave de seguridad del mango.

⚠ ADVERTENCIA: Hoja afilada en movimiento. Por su propia seguridad, NO utilice esta podadora sin la bolsa para pasto o sin el inserto de desbroce en posición de operación. Podría causar lesiones graves.

ENSAMBLAJE DE LA BOLSA PARA PASTO (FIGURAS S1, S2, S3, S4)

1. Apague la podadora, espere a que la cuchilla se detenga y retire la llave de seguridad A-7.
2. Antes de comenzar a ensamblar la bolsa para pasto en el bastidor, verifique que la bolsa y la estructura sean similares a la figura S1.
3. Deslice la bolsa para pasto en el bastidor como se muestra en la figura S2.
4. Ensamble las pinzas superiores a la estructura como se ilustra en la figura S3, a continuación ensamble las dos pinzas laterales y la pinza inferior al final.
5. Observe la figura S4 después de ensamblar completamente la bolsa para pasto

PROCEDIMIENTO DE CARGA

El cargador de su podadora es un cargador de 2 pasos especialmente diseñado.

Paso 1: El ciclo de recarga se indica al iluminarse la luz roja (A-1).

Paso 2: El ciclo de mantenimiento se indica al iluminarse la luz verde (A-2). Este ciclo conservará a su podadora condiciones de carga completa.

1. Quite la llave de seguridad A-7.
2. Inserte el conector del cargador A-3 en el receptáculo A-9 de la podadora.
3. Conecte la clavija para 120 volts A-4 del cargador A-5 a la toma de corriente de pared.
4. La luz roja de la podadora deberá encenderse indicando que hay corriente y que se está cargando la batería. La luz roja deberá apagarse y la luz verde se encenderá cuando se complete la carga (toma aproximadamente 24 horas cargar una batería completamente descargada).
5. Se recomienda dejar la podadora bajo carga.

AJUSTES AL MANGO

Su podadora cuenta con un sistema que le permite ajustar la altura del mango. Para ajustar la posición del mango para acomodarse a sus necesidades, utilice el siguiente procedimiento:

1. Quite las dos perillas C-1 de la parte media de las barras del mango y saque los dos tornillos C-2.
2. Deslice la parte superior del mango hacia cualquiera de las 3 posiciones de ajuste C-3, alineando los orificios de las partes inferior y superior del mango.
3. Inserte los tornillos e instale las perillas, apretando con firmeza. Las perillas deben quedar siempre en las partes exteriores del mango para evitar que interfieran con la puerta trasera y con la bolsa para pasto.

AJUSTE DE ALTURA DE LAS RUEDAS (44 mm a 88 mm [1-3/4" a 3-1/2"])

1. Antes de hacer cualquier ajuste, libere el mango para apagar la podadora, espere a que se detenga la cuchilla y quite la llave de seguridad.
2. Su podadora cuenta con el sistema de ajuste de altura de un toque de Black & Decker. Este sistema le permite ajustar la altura de las cuatro ruedas al mismo tiempo.
3. Para subir o bajar la altura de corte, coloque la palma de su mano en el apoyo D-1 y con sus dedos, oprima hacia arriba en la palanca D-2 y sujete.
4. Al mismo tiempo que sujeta la palanca con los dedos, puede subir o bajar la altura de corte. La podadora tiene siete posiciones para ajustar la altura de la cuchilla. Consulte la escala E-1 y el indicador E-2 en el frente de la podadora. El indicador mostrará la posición en la que cortará su césped. Este indicador le servirá como referencia para la siguiente vez que quiera podar el césped a la misma altura. Cuando haya ajustado la podadora a la altura que quiera, simplemente libere la palanca para asegurar el ajuste de altura.

Nota: Para confirmar que la cubierta esté asegurada en alguna de las siete posiciones, presiones hacia abajo en el apoyo después de liberar la palanca para los dedos.

OPERACION

(CONSULTE LOS DIAGRAMAS DESDE A HASTA S-4 DE LAS PÁGINAS 19 A 22)

EN LA SECCIÓN OPERACIÓN DE ESTE MANUAL, LAS REFERENCIAS SE REALIZARÁN COMO SIGUE: A-9, G-3, ETC. LA REFERENCIA A-9 REMITE AL GLOBO 9 DEL DIAGRAMA A. TODAS LAS REFERENCIAS GRÁFICAS SIMILARES SE PUEDEN REALIZAR DE ESTA FORMA.

CONOZCA SU PODADORA

LEA ESTE MANUAL DEL PROPIETARIO Y LAS REGLAS DE SEGURIDAD ANTES DE OPERAR SU PODADORA.

Consulte el diagrama F (en la página 20) para familiarizarse con la localización de varios controles y ajustes. Guarde este manual para referencias futuras.

- F-1: Llave de seguridad
- F-2: Mango en arco
- F-3: Palanca del interruptor
- F-4: Perillas de ajuste del mango
- F-5: Perillas para guardar el mango
- F-6: Bolsa para pasto
- F-7: Liberador del ajuste de altura de corte
- F-8: Indicador de altura de corte

LLAVE DE SEGURIDAD

 **ADVERTENCIA : HOJA AFILADA EN MOVIMIENTO.**

A fin de evitar el encendido accidental o no autorizado de su podadora inalámbrica, se ha incorporado una llave de seguridad A-7 en el diseño de ésta. La podadora quedará completamente inoperable cuando se quite la llave de seguridad. Una vez que haya quitado la llave de seguridad, tendrá acceso al receptáculo para el cargador A-9 y a las luces roja A-1 y verde A-2 de indicación de estado de carga (figura 1). **NOTA: LA LLAVE DE SEGURIDAD TIENE UN ORIFICIO EN EL CENTRO PARA PODER GUARDARLA EN UN CLAVO, FUERA DEL ALCANCE DE LOS NIÑOS.**



ADVERTENCIA: LAS HOJAS GIRATORIAS PUEDEN CAUSAR LESIONES GRAVES. PARA EVITAR CAUSAR LESIONES GRAVES, RETIRE LA LLAVE DE SEGURIDAD CUANDO SE APARTE DE LA HERRAMIENTA, O AL CARGAR, LIMPIAR, MANTENER, REPARAR, TRANSPORTAR, LEVANTAR O GUARDAR LA CORTADORA DE PASTO.

PARA ENCENDER LA PODADORA

Inserte la llave de seguridad en la carcasa de la cubierta del motor A-8 y empuje hacia abajo, hasta que la llave haya asentado completamente en el interior de la carcasa. La podadora es operacional ahora y puede encenderse activando la palanca del interruptor.



ADVERTENCIA: HOJA AFILADA EN MOVIMIENTO. NUNCA INTENTE INVALIDAR EL FUNCIONAMIENTO DE ESTE SISTEMA DE CONMUTADOR Y LLAVE. PODRÍA CAUSAR LESIONES GRAVES.

INTERRUPTOR DE ENCENDIDO Y APAGADO

Su podadora está equipada con un sistema de interruptor de encendido y apagado especial. Para operar el interruptor, tome el mango en arco G-1 y tire de éste hacia la barra del mango G-2. Empuje con firmeza la palanca del interruptor G-3 hacia adelante hasta que asiente en la posición de "encendido". La palanca con mecanismo de resorte se colocará automáticamente en su posición original. Para apagar la podadora, simplemente suelte el mango en arco.

Una vez que el mango haya regresado a su posición original, se activará el mecanismo de freno automático. El motor se frena eléctricamente y la cuchilla dejará de girar en 3 segundos o menos.

CUMPLE CON LOS REQUERIMIENTO DE SEGURIDAD DE LA CPSC

Las podadoras Black & Decker cumplen con los estándares de seguridad del American National Standards Institute, y de la U.S. Consumer Product Safety Commission. La cuchilla gira cuando el motor está en funcionamiento.

MEDIDOR DE BATERIA

NOTA: EL MEDIDOR DE LA BATERÍA NO SE ACTIVA EN EL MODO DE CARGA. EL MEDIDOR SE ACTIVA ÚNICAMENTE CUANDO LA PODADORA ESTÁ EN FUNCIONAMIENTO.

Su nueva podadora inalámbrica Black & Decker tiene un medidor para proporcionarle información sobre el estado de carga de su batería. Al operar la podadora, el medidor toma lectura y despliega la condición de la batería de la siguiente manera:

Cuando la aguja apunte a la zona verde H-1, la batería está en condición de carga alta.

Cuando la aguja apunte a la zona amarilla H-2, la batería está en condición de carga parcial.

Cuando la aguja apunte a la zona roja H-3, la batería estará descargada.

Antes de utilizar su podadora nueva por vez primera, le recomendamos cargar la unidad durante toda la noche para asegurarse que la batería esté completamente cargada. Cuando encienda la podadora, el indicador debe apuntar a la zona verde, señalando que la batería cuenta con carga completa.

Al usar la podadora, notará que la aguja del medidor bajará lentamente al descargarse la batería.

NOTA: AL PODAR EL PASTO CON SU PODADORA INALAMBRICA, SERA NORMAL QUE LA AGUJA DEL MEDIDOR FLUCTUE YA QUE LAS CONDICIONES DE CORTE CAMBIAN.

Cuando la aguja del medidor apunte consistentemente a la zona roja, su batería estará descargada, aún cuando la podadora sea capaz de podar. Si continúa operando la podadora con la batería en estas condiciones, reducirá la vida útil y el rendimiento de ésta.

LAS SIGUIENTES SUGERENCIAS LE AYUDARAN A OBTENER EL MAXIMO TIEMPO DE OPERACION CON SU PODADORA INALAMBRICA:

- 1) Baje la velocidad en áreas en las que el césped sea especialmente largo o grueso.
- 2) Cuando desbroce, evite cortar más de 37 mm (1-1/2") de la longitud en una sola pasada.
- 3) Evite podar cuando el césped esté mojado por la lluvia o por la brisa.
- 4) Corte el césped frecuentemente, especialmente durante los periodos de gran crecimiento.

NOTA: SE RECOMIENDA RECARGAR LA PODADORA DESPUES DE USARLA, SIN IMPORTAR LA POSICION DE LA AGUJA DEL MEDIDOR. LA CARGA FRECUENTE NO DAÑARA SU BATERIA, Y LE ASEGURARA QUE LA SIGUIENTE OCASION QUE DESEE USAR LA PODADORA LA BATERIA ESTE COMPLETAMENTE CARGADA.

ESCUDO DE SEGURIDAD Y PUERTA TRASERA

Este escudo de seguridad J-1 está diseñado para minimizar el lanzamiento de piedras u otros objetos por la cuchilla de la podadora hacia atrás por debajo de la cubierta. El escudo, junto con la puerta trasera J-2, minimizan la posibilidad de contacto accidental del pie con la cuchilla. NO opera la podadora sin que el escudo de seguridad y la puerta trasera estén en su sitio.

⚠️ ADVERTENCIA: Hoja afilada en movimiento. NO use esta cortadora sin el colector de pasto o accesorio para mantillo vegetal en la posición de operación, por su propia seguridad. Podría causar lesiones graves.

⚠️ ADVERTENCIA: Hoja afilada en movimiento. No opere la cortadora si la puerta trasera no está cerrada con la tensión del resorte. Podría causar lesiones graves. Lleve su cortadora al centro o estación de servicio más cercano para repararla.

PARA QUITAR EL INSERTO DE DESBROCE

Para quitar el inserto de desbroce J-3 para poder empacar el pasto o descargarlo por medio del canal de descarga opcional, siga los pasos enlistados a continuación:

1. Apague la podadora, espere a que se detenga la cuchilla y quite la llave de seguridad A-7.
2. Levante la puerta de descarga trasera J-2 y sujétela en esa posición.
3. Coloque su mano en el bolsillo del asa J-4 y levante y tire del inserto de desbroce J-3 por completo.
4. La puerta de descarga trasera funciona con un resorte. Cuando la suelte, regresará a su posición cerrada.

INSTALACIÓN DEL INSERTO DE DESBROCE

1. Repita los pasos 1 y 2 de la sección anterior.
2. Deslice el inserto de desbroce J-3 en la abertura de descarga hasta que esté en contacto firme con la cubierta.
3. Asegúrese de que la puerta trasera cierre apropiadamente.

INSTALACION DE LA BOLSA PARA PASTO

1. Levante la puerta de descarga posterior K-1, que se encuentra abajo, entre las barras del mango de la podadora, hasta una posición vertical y sujétela en esa posición. Asegúrese de haber quitado el inserto de desbroce J-3.
2. Levante la bolsa para pasto K-2 por el asa K-3 y colóquela entre las barras del mango de la podadora, como se ilustra.
3. Coloque los ganchos K-4 de la bolsa para pasto en la podadora como se observa en la figura L. Suelte la puerta de descarga trasera.

⚠️ ADVERTENCIA: Hoja afilada en movimiento. Nunca opere la cortadora si los ganchos de colgar del colector de pasto no están debidamente puestos en la cortadora y la puerta de descarga posterior no está firmemente apoyada contra la parte superior del colector de pasto. Podría causar lesiones graves.

RECOMENDACIONES PARA PODADO

NOTA: SIEMPRE INSPECCIONE EL AREA DONDE SE VA A UTILIZAR LA PODADORA Y ELIMINE TODAS LAS PIEDRAS, VARAS, ALAMBRES, HUESOS Y OTROS DESECHOS QUE PUEDAN SER ARROJADOS POR LA CUCHILLA GIRATORIA.

1. Poda en sentido perpendicular a las pendientes, nunca hacia arriba y hacia abajo. Tenga cuidado extremo cuando cambie de dirección en las pendientes. No poda pendientes demasiado pronunciadas. Apoye bien los pies.
2. Siempre libere el mango para apagar la podadora cuando atravesie zonas con grava (la cuchilla puede arrojar piedras).
3. Coloque la podadora en la posición de corte más alta cuando poda en tierra o donde haya hierbas altas.
4. Si utiliza un depósito para pasto durante la temporada de crecimiento rápido, el pasto puede tender a tapan el canal de descarga. Asegúrese de que el sistema esté apagado y quite la llave de seguridad. Quite la bolsa para pasto y haga que éste se vaya hacia el extremo de la bolsa. Limpie también el pasto y cualquier otro desecho que se haya acumulado alrededor del canal de descarga. Vuelva a colocar el depósito de pasto. Limpie a menudo cuando poda pasto húmedo, en primavera, y siempre después de cada uso.
5. Si la podadora vibra anormalmente, apáguela y quite la llave de seguridad. Busque la causa inmediatamente. Las vibraciones son aviso de problemas. No opere la podadora hasta que le hayan efectuado una revisión de servicio.
6. **SIEMPRE APAGUE LA PODADORA Y quite la llave de seguridad de la podadora cuando la deje desatendida, aun cuando sea por un periodo corto.**

RECOMENDACIONES PARA DESBROZAR

Su podadora viene de fábrica con el inserto para desbroce instalado.

Cuando desbroce, su nueva podadora está diseñada para recortar los trozos de pasto en pequeñas piezas y distribuirlos por todo el césped. Bajo condiciones normales, el pasto recortado se degradará rápidamente para proporcionarle nutrientes a su césped.

Para obtener el mejor funcionamiento, revise las siguientes recomendaciones para desbrozar.

1. Evite podar el césped cuando esté mojado debido a la lluvia o al rocío. El pasto húmedo tiende a formar grupos que interfieren con la acción de desbroce y reducen el tiempo de operación. La mejor hora para podar el césped es ya avanzada la tarde, cuando el pasto esté seco y el área recién cortada no quede expuesta a la luz directa del sol.
2. Para obtener mejores resultados, ajuste la altura de podado para que corte solamente el tercio superior, idealmente no más de 37 mm de una pasada. Si el césped está demasiado largo, será necesario ajustar la podadora. Puede ser necesario disminuir la altura de corte para reducir el esfuerzo de empuje y evitar sobrecargar el motor. Para desbrozar áreas muy pesadas, es recomendable hacer un primer corte a una altura elevada, y después recortar a la altura final deseada. De otra manera, haga cortes angostos y poda lentamente.
3. Para mejor rendimiento, conserve la carcasa de la podadora libre de pasto acumulado. Quite la llave de seguridad y gire la podadora de cabeza. Elimine el pasto acumulado en la zona de la cuchilla con un objeto similar a una vara. Tenga cuidado con los filos de la cuchilla. Si utiliza un depósito para pasto durante la temporada de crecimiento rápido, el pasto puede tender a tapan el canal de descarga. Apague el interruptor y quite la llave de seguridad. Quite la bolsa para pasto y haga que éste se vaya hacia el extremo de la bolsa. Limpie también el pasto y cualquier otro desecho que se haya acumulado alrededor del canal de descarga. Vuelva a colocar el depósito de pasto.
4. Ciertos tipos de césped y las condiciones del pasto pueden requerir que el área se desbroce por segunda ocasión para ocultar completamente los restos. Cuando efectúe el segundo corte, poda perpendicularmente al primer tramo. **NO PODE PERPENDICULARMENTE SI ESTO LE OBLIGA A CAMINAR A TRAVES DE UNA COLINA.**
5. Cambie su patrón de corte cada semana. Esto le ayudará a evitar maltratar su césped.

AFILADO DE LA CUCHILLA

CONSERVE AFILADA LA CUCHILLA PARA OBTENER MEJOR RENDIMIENTO DE LA PODADORA. UNA CUCHILLA DESAFILADA NO CORTA EL CESPED UNIFORMEMENTE.

UTILICE PROTECCION PARA LOS OJOS SIEMPRE QUE quite, AFILE O INSTALE LA CUCHILLA. ASEGURESE DE HABER QUITADO LA LLAVE DE SEGURIDAD.

En la mayoría de las zonas, la cuchilla debe afilarse dos veces durante la temporada de podado. En zonas con suelos arenosos, se puede requerir afilado más frecuentemente, ya que la arena acaba con el filo de la cuchilla más rápidamente.

REEMPLACE UNA CUCHILLA DOBLADA O DAÑADA INMEDIATAMENTE.

CUANDO AFILE LA CUCHILLA:

1. Asegúrese que la cuchilla quede balanceada.
2. Afile la cuchilla en el ángulo de corte original.
3. Afile los bordes en ambos extremos de la cuchilla, rebaje la misma cantidad de material en ambos extremos.

PARA AFILAR LA CUCHILLA EN UNA PRENSA:

1. Asegúrese de haber liberado la palanca del interruptor, de que la cuchilla se haya detenido y de quitar la llave de seguridad.
2. Saque la cuchilla de la podadora. Vea las instrucciones para la remoción y colocación de la cuchilla.
3. Asegure la cuchilla M-1 en una prensa M-2.
4. Use anteojos de seguridad y tenga cuidado de no cortarse.
5. Afile cuidadosamente los bordes cortantes de la cuchilla con una lima de dientes finos M-3 o con una piedra de afilar.
6. Verifique el balance de la cuchilla. Vea las instrucciones para balancear la cuchilla.
7. Vuelva a colocar la cuchilla en la podadora y apriete con firmeza. Consulte las instrucciones siguientes.

BALANCEO DE LA CUCHILLA

Verifique el balance de la cuchilla colocando la perforación central N-1 sobre un clavo o sobre el vástago de un destornillador N-2 sujetado en una prensa N-3. Si cualquiera de los extremos gira hacia abajo, afile ese extremo. La cuchilla está balanceada correctamente cuando ninguno de los extremos cae.

REMOCION E INSTALACION DE CUCHILLAS

1. APAGUE LA PODADORA, ESPERE A QUE LA CUCHILLA SE DETENGA Y quite LA LLAVE DE SEGURIDAD.
2. Corte una pieza de madera de 2 X 4 P-1 (aprox. 60 cm de longitud) para evitar que la cuchilla gire al aflojar la tuerca.
3. Coloque la podadora de lado, emplee guantes para protegerse las manos y quite la tuerca como se observa en la figura P.
4. Con una llave de 3/4" (19 mm) P-2, quite la tuerca de la cuchilla P-3, girando en dirección de la flecha.
5. Quite la tuerca de la cuchilla Q-1, la roldana cuadrada Q-2, la roldana espaciadora Q-3 y la cuchilla Q-4.
6. Para reensamblar, coloque primero la cuchilla con los filos hacia la tierra. (El "lado del pasto" está estampado en la cuchilla y debe ser visible cuando se ensambla de manera correcta.) Ensamble los componentes como se observa en la figura Q.
Asegúrese que los bordes de la roldana espaciadora Q-3 cuelguen sobre el borde de la cuchilla. Haga coincidir las partes planas de la roldana espaciadora Q-3 con las partes planas de la flecha.
Coloque la pieza de madera R-1 de manera que evite que la flecha gire y apriete la tuerca de la cuchilla con firmeza en la dirección que se muestra por la flecha de la figura R.

LUBRICACION

No se requiere lubricación. No aceite las ruedas. Tienen baleros con superficie plástica que no requiere lubricación.

LIMPIEZA

APAGUE LA PODADORA, ESPERE A QUE LA CUCHILLA SE DETENGA Y quite LA LLAVE DE SEGURIDAD. Solamente utilice jabón suave y un trapo húmedo para limpiar la podadora. Elimine los recortes que se puedan haber acumulado en el lado inferior de la cubierta. Revise que todas las tuercas y tornillos estén bien apretados.

EVITE LA CORROSION

Los fertilizantes y otros productos químicos de jardinería contienen agentes que aceleran en gran medida la corrosión de los metales. Si poda en un área donde se han utilizado fertilizantes o productos químicos, la podadora deberá limpiarse inmediatamente de la siguiente manera: (1) Asegúrese que la podadora esté apagada y que ha quitado la llave de seguridad. (2) Limpie todas las partes expuestas con un trapo húmedo.

⚠ PRECAUCION: NO ROCIE LA PODADORA NI LE VACIE AGUA EN UN INTENTO POR LIMPIARLA.

No guarde la herramienta cerca de fertilizantes u otros productos químicos, esto le puede ocasionar rápida corrosión.

GUARDADO

⚠ ADVERTENCIA: La hoja giratoria puede causar lesiones graves. Siempre apague la cortadora y retire la llave de seguridad antes de levantar, transportar o guardar la cortadora. Guárdela en un lugar seco. Dependiendo de la consistencia con que use la cortadora durante la temporada, su cortadora puede cortar hasta 1765 metros cuadrados (19.000 pies cuadrados) con una sola carga. En la primavera, cuando el pasto está en pleno crecimiento, puede que corte menos. En medio del verano cuando el pasto está más ligero y seco, cortará más. Luego, en el otoño, cuando el pasto está más mojado, puede que corte menos.

ESTAS SON ALGUNAS RECOMENDACIONES DE AYUDA PARA OBTENER EL MAXIMO DE SU PODADORA INALAMBRICA BLACK & DECKER Y CONSERVAR SU CESPED CON UNA APARIENCIA HERMOSA

1. El césped debe podarse primero en la primavera cuando el pasto tenga de 62 a 75 mm de longitud. Podar antes de tiempo restringe el sistema de raíces que se renueva cada primavera. El pasto nuevo debe podarse cuando tenga alrededor de 62 mm de altura.
2. No corte demasiada altura del pasto de una sola pasada... nunca más de 1/3 de la altura de la hoja. Cortar demasiado impactará las hojas de pasto sensibles, ocasionando un sistema de raíces débil y dificultando el acceso del pasto al agua en el suelo.
3. Los expertos en jardinería están de acuerdo al decir que el corte de una parte grande de las hojas de pasto es responsable de muchas de las dificultades experimentadas con muchos céspedes. La profundidad y la fuerza de las raíces del pasto es casi exactamente proporcional a su crecimiento. Las hojas de los céspedes maduros se ven gravemente lesionadas cuando se podan a menos de 37 mm, y se prefiere una longitud de 37 a 50 mm en céspedes grandes.
4. Poda su césped cuando esté seco para evitar la formación de bolas de pasto húmedo. Si puede elegir, las últimas horas de la tarde son el tiempo ideal para podar, no solamente porque el pasto estará seco, sino porque la zona recién descubierta de las hojas después de ser cortadas no quedaran expuestas a luz intensa del sol.
5. Conserve la cuchilla afilada para obtener un corte limpio. Esto mejorará el rendimiento de la podadora y la apariencia de su césped. Una cuchilla sin filo arruina las puntas de las hojas de pasto. Esto va contra el crecimiento saludable de su césped y aumenta la posibilidad de plagas. Si las puntas de las hojas de pasto están quemadas, tendrán un color terroso, y le darán a su césped una apariencia poco saludable. Una cuchilla sin filo también podrán tirar hacia arriba los germinados.
6. Trate de podar su césped a la misma altura (consistentemente). Aún cuando cambie la altura de corte en temporadas cambiantes, una altura de corte consistente produce un césped más saludable y con mejor apariencia con generalmente menos plantas. Poda frecuentemente durante los periodos de crecimiento rápido. El corte frecuente asegura que la parte inferior del pasto, menos atractiva, no se verá.
7. Si su césped ha crecido demasiado (las vacaciones, por ejemplo, pueden interrumpir su calendario de podado) corte a una altura una o dos posiciones más altas que lo normal. Una segunda pasada a la altura de corte "normal" unos cuantos días después devolverán su césped dentro del calendario.
8. Durante la primavera y el otoño, (o después de una interrupción a su calendario de podado) el pasto estará más grueso y más largo. Si el motor baja su velocidad continuamente durante el podado, trate ajustando las ruedas en una posición más alta. La carga excesiva al motor puede ocasionar un podado disperejo, y que la batería de su podadora se descargue, o que el interruptor de circuito se dispare, deteniendo al motor.
9. Tres buenas ideas para mejorar la apariencia de su césped: Varíe la dirección de podado con frecuencia; poda horizontalmente en las laderas de las pendientes (esto es también una práctica de seguridad); y no olvide hacer la segunda pasada en forma perpendicular (cuando lo haga).
10. Siempre poda el césped de manera que los recortes se descarguen en el césped podado. Esto conservará su césped con una apariencia fresca al evitar que los recortes se acumulen, los que eventualmente se pondrán café y se verán mal. Este método también preserva la carga de su batería, asegurando que usted obtenga el máximo de su podadora inalámbrica Black & Decker.
11. Durante las estaciones de primavera y otoño en que las hojas de pasto son más gruesa y largas, usted puede usar su podadora sin que la batería esté completamente cargada. (Por ejemplo, cuando la luz verde esté encendida). Esto le permitirá realizar pequeñas tareas de podado, pero no le recomendamos hacer esto con frecuencia, la batería y la podadora se desempeñan mucho mejor con carga completa.

GUIA PARA LA SOLUCION DE PROBLEMAS FRECUENTES

<u>PROBLEMA</u>	<u>SOLUCION</u>
1. La podadora no funciona cuando el interruptor está activado.	<p>A. Asegúrese de haber insertado la llave de seguridad y que esté bien asentada.</p> <p>B. Asegúrese de que el mango y la palanca del interruptor estén en posición de "apagado". Quite la llave de seguridad, voltee de cabeza la podadora y revise que la cuchilla esté libre para girar.</p> <p>C. ¿Se ha cargado completamente la batería? Conecte el cargador y espere a que aparezca la luz verde.</p>
2. El motor se detiene durante el podado.	<p>A. Asegúrese de que el mango y la palanca del interruptor estén en posición de "apagado". Quite la llave de seguridad, voltee de cabeza la podadora y revise que la cuchilla esté libre para girar.</p> <p>B. Eleve la altura de corte de las ruedas a la posición más alta y encienda la podadora.</p> <p>C. ¿Se ha cargado completamente la batería? Conecte el cargador y espere a que aparezca la luz verde.</p> <p>D. Se puede haber disparado el interruptor de circuito. El tiempo de restablecimiento puede ser hasta de 1 minuto. Baje la velocidad o eleve la altura de corte.</p>
3. La podadora funciona pero no lo hace de manera satisfactoria, o no poda su prado por completo.	<p>A. ¿Se ha cargado completamente la batería? Conecte el cargador y espere a que aparezca la luz verde.</p> <p>B. Asegúrese de que el mango y la palanca del interruptor estén en posición de "apagado". Quite la llave de seguridad, voltee de cabeza la podadora y revise: *Que la cuchilla tenga filo *Que la cubierta y el canal de descarga no estén atascados</p> <p>C. La altura de las ruedas puede estar muy baja para las condiciones del césped. Eleve la altura d corte.</p>
4. Es muy difícil empujar la podadora.	<p>A. Suba la altura de corte para reducir la fricción de la cubierta con el césped. Verifique que todas las ruedas giren libremente.</p>
5. La podadora hace mucho ruido y vibra.	<p>A. Asegúrese de que el mango y la palanca del interruptor estén en posición de "apagado". Quite la llave de seguridad. Coloque la podadora de lado y revise la cuchilla para asegurarse que no se ha dañado ni se ha doblado. Si la cuchilla se ha dañado, reemplácela con una cuchilla de repuesto Black & Decker. Si la parte inferior de la cubierta se ha dañado envíe la podadora a un centro de servicio autorizado Black & Decker.</p> <p>B. Si no hay daños visibles en la cuchilla y la podadora aún vibra, envíe la podadora a un centro de servicio autorizado Black & Decker.</p>

NOTA

Si la luz roja permanece encendida después de 24 horas de carga inicial, la podadora puede utilizarse. La batería puede necesitar ser "acondicionada" y puede requerir unos ciclos de carga y descarga antes que la luz indicadora verde se encienda.

ESTA ES SOLO UNA GUIA CON LA INTENCION DE PERMITIRLE REALIZAR REVISIONES VISUALES Y PRUEBAS SIMPLES. SI NINGUNA DE LAS SOLUCIONES SATISFACE SUS NECESIDADES O AUMENTA EL RENDIMIENTO, DEBE LLEVAR ESTA PODADORA AL CENTRO DE SERVICIO AUTORIZADO BLACK & DECKER MAS CERCANO PARA QUE LE EFECTUEN SERVICIO.

Importante

Para garantizar la SEGURIDAD y la CONFIABILIDAD, deberán hacerse reparaciones, mantenimiento y ajustes (incluyendo inspección y reemplazo de los carbones) de esta herramienta en los centros certificados de servicio Black & Decker u otras organizaciones autorizadas. Estas organizaciones prestan servicio a las herramientas Black & Decker y emplean siempre refacciones legítimas. Cuando haga el servicio UTILICE ÚNICAMENTE PARTES DE REPUESTO IDENTICAS.

Reciclado de baterías

Este producto contiene una batería de ácido de plomo que debe reciclarse. No la deseche con la basura. Debe devolver la batería a un centro de servicio Black & Decker para que la reciclen, o a cualquier otro establecimiento que se haga cargo de reciclar baterías de ácido de plomo.

Accesorios

⚠ PRECAUCION: Los accesorios se recomiendan para emplearse con su podadora. El empleo de cualquier otro accesorio o dispositivo puede ser peligroso. Los accesorios enlistados en este manual están a su disposición con costo extra en su Centro de Servicio Black & Decker.

SD1000	CANAL DE DESCARGA LATERAL
MC1000	BOLSA PARA PASTO DE REPUESTO
MB1000	CUCHILLA DE REPUESTO

CONSERVE ESTAS INSTRUCCIONES PARA REFERENCIAS FUTURAS

Información de servicio

Black & Decker ofrece una red completa de centros de servicio propiedad de la compañía y franquiciados a través de toda Norteamérica. Todos los centros de servicio Black & Decker cuentan con personal capacitado para proporcionar el servicio a herramientas más eficiente y confiable. Siempre que necesite consejo técnico, reparaciones o partes de repuesto genuinas, comuníquese con el centro Black & Decker más cercano a usted. Para encontrar su centro de servicio local, consulte la sección amarilla bajo "Herramientas eléctricas", o llame al: (55) 5326-7100

Garantía completa para uso doméstico por dos años

Black & Decker (U.S.) garantiza este producto por dos años completos contra cualquier falla originada por materiales o mano de obra defectuosos. El producto defectuoso será reemplazado o reparado sin cargo alguno en cualquiera de las siguientes dos maneras: La primera, que resulta únicamente en cambios, es regresar el producto al vendedor al que se compró (en la suposición que es un distribuidor participante). Las devoluciones deberán hacerse dentro del tiempo estipulado por la política de cambios del distribuidor (usualmente de 30 a 90 días después de la venta). Se puede requerir prueba de compra. Por favor verifique con el vendedor las políticas específicas de devolución relacionadas a las devoluciones en tiempo posterior al estipulado para cambios. La segunda opción es llevar o enviar el producto (con porte pagado) a los centros de servicio Black & Decker propios o autorizados, para que la reparemos o reemplacemos a nuestra opción. Se puede requerir prueba de compra. Los centros de servicio Black & Decker propios y autorizados están enlistados bajo "Herramientas eléctricas" en la sección amarilla del directorio telefónico. Esta garantía no se aplica a los accesorios. Esta garantía le otorga derechos legales específicos y usted pudiera tener otros derechos que varíen de estado a estado. Si tiene cualquier pregunta, comuníquese con el gerente del centro de servicio Black & Decker más cercano a usted.

Garantía en la cubierta

Garantía de por vida para la CUBIERTA únicamente contra cualquier defecto en el material o mano de obra.

Este producto no ha sido diseñado para uso comercial.

Para servicio y ventas consulte
"HERRAMIENTAS ELECTRICAS"
en la sección amarilla.



IMPORTADOR: BLACK & DECKER S.A. DE C.V.
BOSQUES DE CIDROS ACCESO RADIATAS NO. 42
BOSQUES DE LAS LOMAS, 05120 MEXICO, D.F.
(55) 5326-7100

ENGLISH

FRANÇAIS

ESPAÑOL

**Cat. No. CMM1000
Copyright © 2005 Black & Decker**

**Form No. 598968-00
JULY 2005**

Printed in Mexico

ESPAÑOL

FRANÇAIS

ENGLISH

ENGLISH

FRANÇAIS

ESPAÑOL

ESPAÑOL

FRANÇAIS

ENGLISH

ENGLISH

FRANÇAIS

ESPAÑOL

ENGLISH

FRANÇAIS

ESPAÑOL

ENGLISH

FRANÇAIS

ESPAÑOL

ESPAÑOL

FRANÇAIS

ENGLISH

ENGLISH

FRANÇAIS

ESPAÑOL

ENGLISH

FRANÇAIS

ESPAÑOL

ENGLISH

FRANÇAIS

ESPAÑOL

ENGLISH

FRANÇAIS

ESPAÑOL

ENGLISH

FRANÇAIS

ESPAÑOL

ESPAÑOL

FRANÇAIS

ENGLISH

ENGLISH

FRANÇAIS

ESPAÑOL