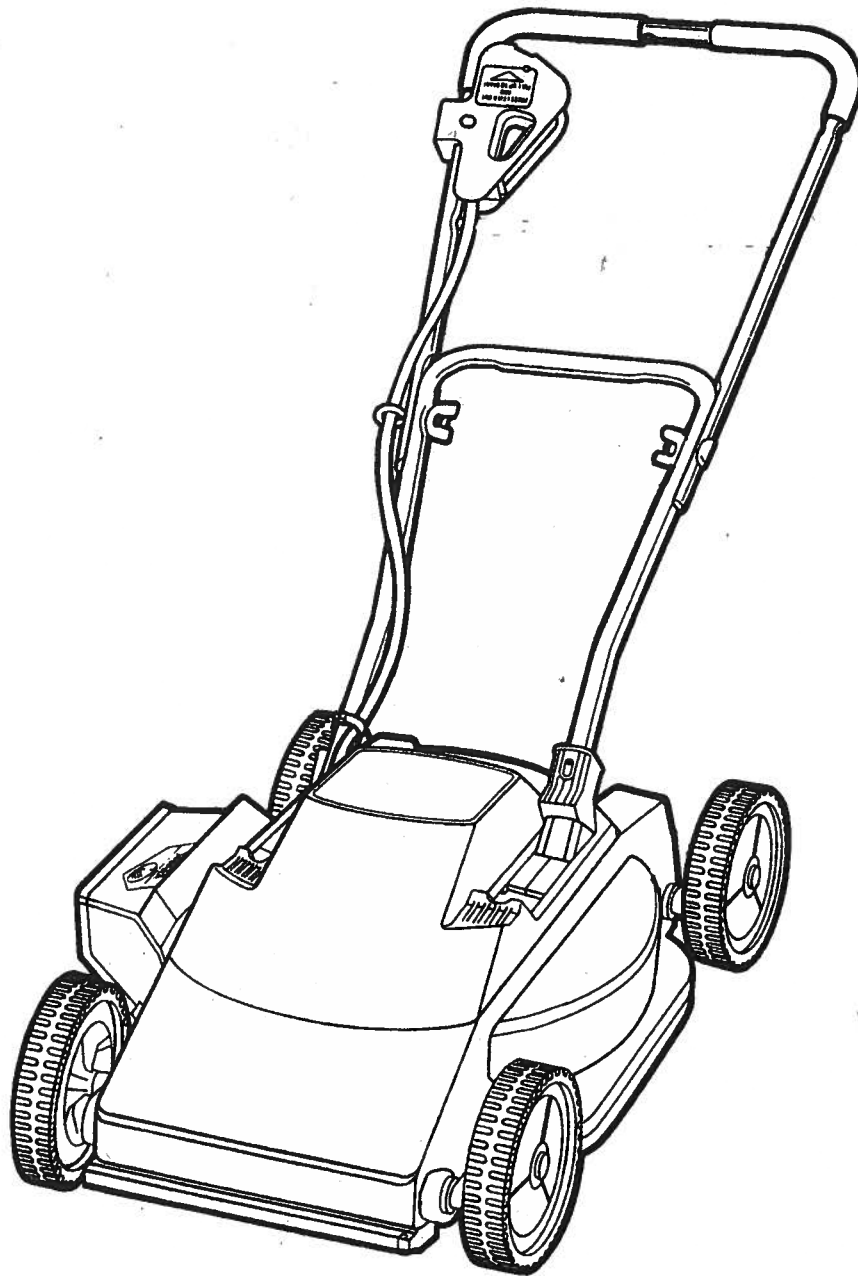


CMM625/CMM630

**18" Cordless Mulching
Mower**



Instruction Manual

IMPORTANT SAFETY RULES



WARNING: When using Electric Tools, basic safety precautions should always be followed to reduce the risk of fire, electric shock, and personal injury, including the following:

- **KNOW YOUR MOWER** - Read the Manual carefully. Be thoroughly familiar with the controls and the proper use of your mower.
- **AVOID DANGEROUS ENVIRONMENT** - Don't use your mower in the rain or in damp or wet locations. Don't operate it in gaseous explosive atmospheres. Motors normally spark and the sparks might ignite fumes.
- **USE PROTECTIVE EQUIPMENT** - Wear safety spectacles or goggles while mowing (regular eyeglasses are not safety glasses). Use face or dust mask if operation is dusty. Safety spectacles are available at your B&D dealer.
- **KEEP GUARDS AND SHIELDS IN PLACE** - and keep in working order.
- **GUARD AGAINST ELECTRIC SHOCK** - Repair or replace damaged cords immediately.
- **DANGER: KEEP AWAY FROM BLADE AREA** - Risk of cut - Keep hands and feet away from blade. Don't attempt to remove cut material or unclog chute when blade is moving.
- **DISCONNECT TOOL:** - Release switch lever to turn off mower, and after blade has stopped, remove safety key before making adjustments, before servicing, cleaning and when changing blade.
- **KEEP CHILDREN AWAY** - All visitors should be kept a safe distance from work area.
- **STORE IDLE LAWN MOWER INDOORS** - When not in use, tool should be stored indoors in a dry place, locked-up - out of reach of children.
- **DON'T FORCE THE MOWER** - It will do the job better and safest at the rate for which it was designed.
- **USE RIGHT TOOL** - Do not use tool for any job except that for which it is intended.
- **DRESS PROPERLY** - Do not wear loose clothing or jewellery. They can be caught in moving parts. Use of substantial rubber soled footwear is recommended.
- **DON'T ABUSE CORD** - Never carry charger by cord or yank it to disconnect from receptacle. Keep cord from heat, oil and sharp edges.
- **WARNING** - Do not charge outdoors or in wet or damp locations.
- **DON'T OVERREACH** - Keep proper footing and balance at all times.
- **MAINTAIN TOOLS WITH CARE** - Keep blade sharp and clean for best and safest performance. Follow instructions for changing accessories.
- **AVOID ACCIDENTAL STARTING** - Be sure switch is off when inserting safety key.
- **OBJECTS STRUCK BY THE LAWN MOWER BLADE** can cause severe injuries to persons. The lawn should always be carefully examined and cleared of all objects prior to each mowing.
- **USE IDENTICAL REPLACEMENT BLADES ONLY.**
- **WHEN SERVICING** - Use only identical replacement parts.
- **READ THIS INSTRUCTION MANUAL CAREFULLY.** Be thoroughly familiar with the controls and the proper use of the equipment.
- **NEVER ALLOW CHILDREN TO OPERATE A POWER MOWER.**
- **KEEP THE AREA OF OPERATION CLEAR** of all persons, particularly small children and pets.
- **THOROUGHLY INSPECT THE AREA** where the equipment is to be used and remove all stones, sticks, wires, bones, and other foreign objects that could be thrown by the blade.
- **DO NOT OPERATE THE EQUIPMENT WHEN BAREFOOT OR WEARING OPEN SANDALS.** Always wear substantial footwear.
- **NEVER ATTEMPT TO MAKE A WHEEL HEIGHT ADJUSTMENT WHILE THE MOTOR IS RUNNING** or while the safety key is plugged in.
- **MOW ONLY IN DAYLIGHT OR IN GOOD ARTIFICIAL LIGHT.**
- **NEVER OPERATE THE EQUIPMENT IN WET GRASS.** Always be sure of your footing; keep a firm hold on the handle and walk; never run.
- **DO NOT PUT HANDS OR FEET NEAR OR UNDER ROTATING PARTS.** Keep clear of the discharge opening at all times.
- **RELEASE SWITCH LEVER TO TURN MOWER OFF** when crossing gravel drives, walks or roads.
- **IF THE MOWER STALLS,** be sure to release switch lever to turn mower off and wait for blade to stop, remove the safety key before attempting to unclog the chute or remove anything from under the deck.
- **AFTER STRIKING A FOREIGN OBJECT,** release switch lever to turn mower off and wait for blade to stop, remove the safety key, thoroughly inspect the mower for any damage and repair the damage before restarting and operating the mower.
- **IF THE EQUIPMENT SHOULD START TO VIBRATE ABNORMALLY** release switch lever, remove the safety key and check immediately for the cause. Vibration is generally a warning of trouble.
- **RELEASE SWITCH LEVER** to turn mower off and wait for blade to stop, remove the safety key whenever you leave the equipment, before unclogging the deck or chute, or cleaning the mower housing, and when making any repairs or inspections.
- **WHEN CLEANING, REPAIRING, OR INSPECTING,** make certain the blade and all moving parts have stopped.
- **SHUT THE MOTOR OFF AND WAIT UNTIL THE BLADE COMES TO A COMPLETE STOP** before removing the grass catcher.
- **MOW ACROSS THE FACE OF SLOPES; NEVER UP AND DOWN.** Exercise extreme caution when changing direction on slopes. Do not mow excessively steep slopes.
- **NEVER OPERATE THE MOWER** without proper guards, plates, or other safety protection devices in place.



LOOK FOR THIS SYMBOL TO POINT OUT IMPORTANT SAFETY PRECAUTIONS. IT MEANS - ATTENTION!!! BECOME ALERT!!! YOUR SAFETY IS INVOLVED.

BATTERY OPERATION & CARE

The battery in your cordless lawnmower is a 12-volt sealed lead acid system. There is no liquid contained within the battery and can therefore be stored in any position without fear of leakage.

Specific Characteristics

- For optimal performance the battery should be kept on constant charge when not in use.
- The battery prefers to be charged in a cool, dry place.
- The battery does not need to be fully discharged before recharging.
- 2 to 3 charging cycles may be required (after initial purchase) to achieve maximum cutting capacity.
- The battery can be safely stored down to -40°C (-40°F).
- The battery is maintenance free.

Proper Care

- Off-season storage
 - i. In warmer climates to ensure optimal performance, it is recommended that the battery be maintained on constant charge.
 - ii. The mower may be stored with the charger disconnected if the following conditions are met.
 - the mower is fully charged before storing.
 - the average temperature of the storage location is below 10°C (50°F)
 - Storage duration is less than 6 months

CHARGING INSTRUCTIONS

The charger on your mower is a specially designed 2-step charger:

Step 1: The recharge cycle is indicated by the illuminated red light (Fig. 1).

Step 2: The maintenance cycle is indicated by the illuminated green light (Fig. 1).

CHARGER SAFETY RULES

1. Plug charger directly into an electrical outlet. **DO NOT ABUSE THE CORD.** Never carry charger by cord. Do not disconnect the charger from the outlet or mower by pulling it by the cord.
2. **CAUTION:** To reduce the risk of fire, electrical shock, or personal injury do not attempt to use this charger with any other product. Likewise, do not attempt to charge the mower with any other charger.
3. Maintain with care **ALWAYS** unplug the charger from the mower and make sure Safety Key has been removed before attempting any routine cleaning, inspection or maintenance.
4. Do not operate a damaged charger. Have damaged cords or charger replaced immediately by an authorized Black & Decker service depot.
5. Always charge the mower in a dry area protected from the weather. Do not expose the mower or charger to rain. Do not charge mower when temperature is above 40°C (104°F) or below 5°C (41°F).
6. Keep the mower and charger away from water, heat sources, (Such as radiators, heaters, stoves...etc.) flames, or chemicals. Be careful not to damage the charger cord, by keeping cord away from sharp edges

CAUTION

ALWAYS DISCONNECT THE CHARGER FROM THE POWER SUPPLY (WALL OUTLET) BEFORE REMOVING THE CHARGER CONNECTOR. UNDER CERTAIN CONDITIONS, WITH THE CHARGER PLUGGED IN TO THE POWER SUPPLY, THE EXPOSED CONNECTOR CAN BE SHORTED BY FOREIGN MATERIAL AND MAY CAUSE A FIRE. FOREIGN MATERIALS OF A CONDUCTIVE NATURE, SUCH AS, BUT NOT LIMITED TO, STEEL WOOL, ALUMINUM FOIL, OR ANY BUILD-UP OF METALLIC PARTICLES, SHOULD BE KEPT FROM THE CONNECTOR. ALWAYS UNPLUG CHARGER BEFORE ATTEMPTING TO CLEAN.

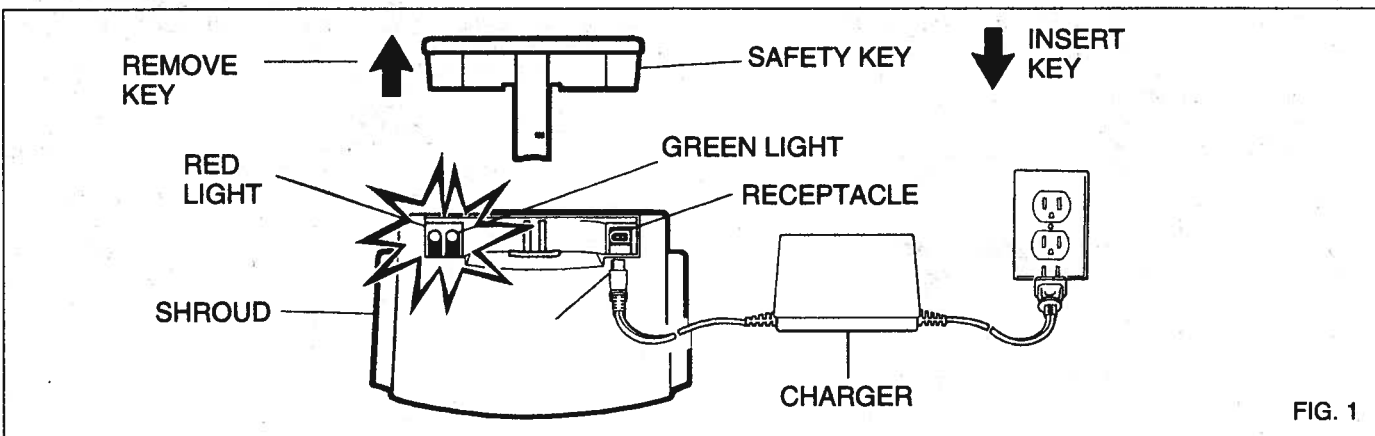


FIG. 1

CHARGING PROCEDURE

1. For normal charging, remove the safety key (if installed in the mower).
2. Plug the charger connector into the receptacle on the mower (See Fig. 1).
3. Insert the 120 volt plug of the charger into the wall receptacle.
4. The red light on the mower would come on indicating you have power and the battery is being charged. The red light should extinguish and the green light will come on when charging is complete (takes approximately 24 hours to charge a fully discharged mower).
5. It is recommended to leave the mower on charge.

ASSEMBLY

UNPACKING AND ASSEMBLY

Your mower carton contains:

- the mower and handle assembly.
- 1 box containing the charger
- CMM 625 wheels (two 7" and two 8")
- OR
- CMM 630 wheels (two 7" and two 14")
- 1 hardware bag containing:
 - 1 cord strap
 - 1 curved head bolt
 - 2 lock washers
 - 2 wingnuts
 - 4 axle bolts



Handle Bolt



Cable Strap



Wheel Bolt



Handle Wing Nut



Star Washer

NOTE:
Pictures in this manual may not resemble your mower exactly.

1. Remove mower and parts from carton.

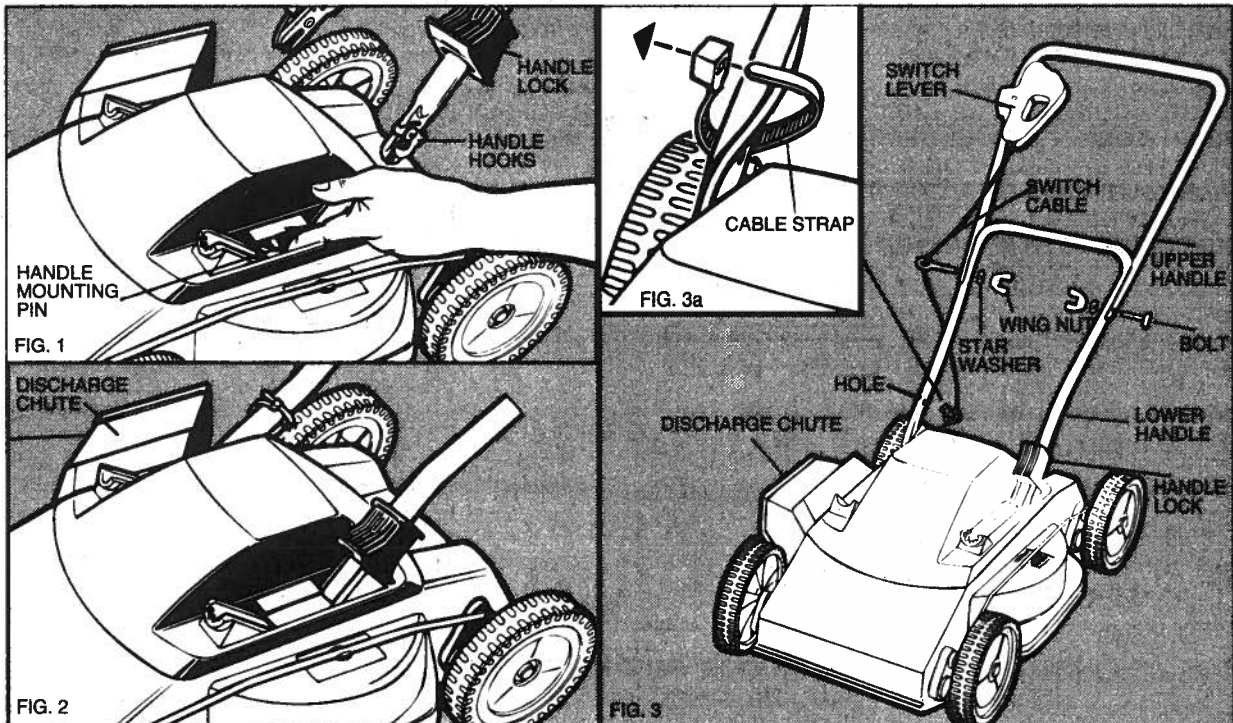


DO NOT INSERT THE SAFETY KEY INTO THE MOWER AT THIS STAGE.

BEFORE ATTACHING LOWER HANDLE TO LAWNMOWER DECK:

2. Ensure that the handle lock is on the opposite side of the discharge chute (See Fig. 1)
3. Attach lower handle to lawnmower deck. Insert the lower handle onto the handle mounting pins. Snap lower handle into place, and make sure it is secured. (See Fig. 2).
4. Assemble upper handle to lower handle. The switch lever should be on the same side as the discharge chute. Align holes in upper and lower handles, insert bolt in handle holes. Place star washer over bolt. Place wing nut on bolt and tighten securely. Repeat steps for other side of handle. (See Fig. 3).
5. Wrap the cable strap around the lower handles and the switch cable. (See Fig. 3a). Locate one end of the cable strap into the slot on the other end of the cable strap and feed through forming a loop. Before tightening the loop, align the cable strap with the hole in the lower handle. (See Fig. 3).

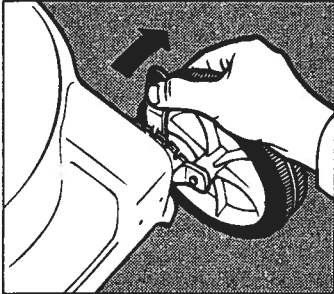
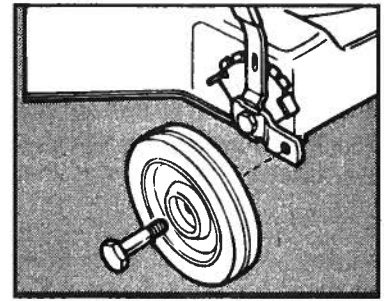
Now you can pull the cable strap tightly around the switch cable and lower handle.



Wheel Assembly (Fingertip Height Adjusting)

NOTE: Ensure that the larger wheels (8" on CMM625, 14" on CMM630) are assembled to the rear and small wheels (7") are assembled to the front of the lawnmower. For all wheel sizes, the open ribbed side of the wheel faces toward the lawnmower. **INCORRECT ASSEMBLY OF THE 14" WHEELS ON THE CMM630 MAY CAUSE THE WHEELS TO RUB ON THE TRAIL GUARD.**

- A) Insert axle bolt through hole in wheel.
- B) Thread axle bolt onto support arm and tighten with 3/4" wrench.
- C) Repeat for remaining 3 wheels.



Fingertip Cutting Height Adjustment

- A) Pull the locking lever towards the wheel.
- B) Rotate the locking lever to adjust cutting height.
- C) When adjustments are complete, ensure that all four wheels are set to the same position.

OPERATION

KNOW YOUR MOWER

READ THIS OWNER'S MANUAL AND SAFETY RULES BEFORE OPERATING YOUR MOWER. Compare the illustrations with your mower to familiarize yourself with the location of various controls and adjustments. Save this manual for future reference.

SAFETY KEY

In order to prevent accidental start-up or unauthorized use of your Cordless Mower, a removeable Safety Key has been incorporated into the design of your mower. The mower will be completely disabled when the Safety Key has been removed from the mower. With the Safety Key removed, you will have access to the receptacle and red and green charge indication lights. See (Fig. 1) **NOTE: THE SAFETY KEY HAS A HOLE IN THE CENTRE TO ALLOW FOR STORAGE ON A NAIL, OUT OF THE REACH OF CHILDREN.**

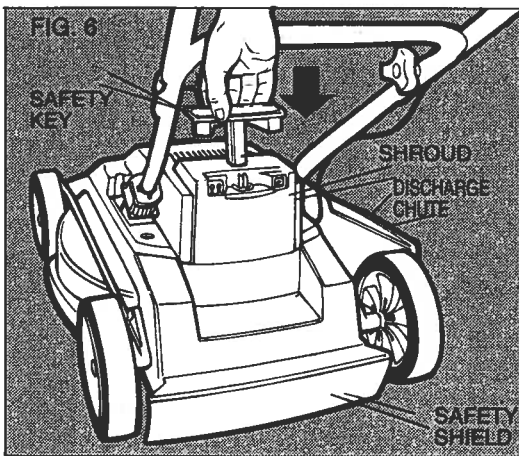


CAUTION

ALWAYS REMOVE SAFETY KEY FROM MOWER, WHEN LEAVING MOWER UNATTENDED, EVEN FOR A SHORT PERIOD OF TIME

TO TURN MOWER ON

Insert Safety Key into the housing of the motor shroud (Fig. 6) and push down, until safety key is fully seated inside housing. The mower is now operational and can be started by activating the switch lever. See (Fig. 7)



CAUTION: NEVER ATTEMPT TO OVERRIDE THE OPERATION OF THIS SWITCH.

MEETS CPSC SAFETY REQUIREMENTS

Black and Decker Mowers conform to the safety standards of the American National Standards Institute, and the U.S. Consumer Product Safety Commission. The Blade turns when the motor is running.

ON-OFF SWITCH LEVER

Remove the tie wrap from the switch lever area only when you are ready to cut your lawn the first time.

Your mower is equipped with a special on-off switch lever. The switch lever is recessed in the switch housing to prevent turning the mower "on" accidentally.

To operate the switch, insert your finger into the opening See (Fig. 7) and push the lever out so that you can grab it with your right hand. Pull the lever back against the mower handle and hold it in this position to keep the motor running.

To turn the mower off, just release the lever. The spring-loaded "snap-action" lever will relocate itself back into its original position inside the switch housing.

Once the switch lever has returned to the original position it will activate the "Automatic Braking Mechanism". The motor is electrically braked and the mower blade will stop rotating in 3 seconds or less.

SAFETY SHIELD & DISCHARGE CHUTE

This safety shield (Figure 6) is designed to minimize the throwing of stones or other objects by the mower blade backward from under the mower deck. The shield, along with the discharge chute minimize the possibility of accidental foot contact with the blade. DO NOT operate mower without the safety shield and discharge chute in place.

OPERATION

MULCHING MOWING TIPS

For best performance, keep the mower housing free of built-up grass. Clean after each use. See "CLEANING" in the maintenance section of this manual.

Avoid cutting the lawn when it is wet. Wet grass tends to form clumps and they interfere with the mulching action. For best results, adjust your lawn mower cutting height so that the lawn mower cuts off only the top one third (Fig. 10) of the grass blades. If the lawn is overgrown it will be necessary to adjust the mower. For extremely heavy mulching make narrower cuts and mow slowly.

Certain types of grass and grass conditions may require that an area be mulched a second time to completely hide the clippings. When doing a second cut, mow across or perpendicular to the first cut path. DO NOT MOW PERPENDICULAR TO THE FIRST PATH IF IT WOULD CAUSE MOWING ACROSS A HILL.

Change your cutting pattern from week to week. Mow north to south one week and east to west the next week. This will help prevent matting and graining of lawn.

MULCH PLATE INSTRUCTIONS

Your mower is capable of either side discharging, mulching or bagging. The mower is shipped with the mulch insert installed and is ready for mulching. To convert to side discharging or

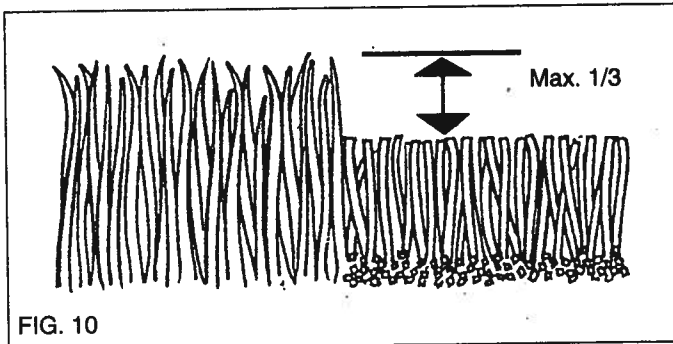


FIG. 10

bagging the mulch insert must be removed. First stop the mower and unplug the unit. Leave the mower upright. To remove the mulch insert you must pull the safety catch, which is located on the left-hand top side of the mulch insert, away from the mower by approx. 1/2" and then rotate the insert clockwise while withdrawing the insert from the back.

The mower is now ready for side discharging or bagging (with the addition of the optional grass bag).

Before installing the mulch plate release the safety switch, disconnect the power cord, be sure the blade has stopped rotating and then clean out the under side of the mower deck. Failure to do this could make it difficult to properly install the mulch plate. With the mower in the upright position and the mulch insert in your right hand raise the discharge chute with your left hand. With the tip of the mulch insert against the inside wall of the mower insert and slowly rotate counterclockwise until the safety catch of the insert snaps into place in the mower discharge opening. Check to see that the insert is in the proper position by attempting to remove the insert without releasing the safety catch. The insert should not come out.

IMPORTANT SAFETY INFORMATION

BEFORE STARTING YOUR MOWER BE SURE THE MULCH INSERT IS SECURELY LOCKED IN POSITION. (SEE MULCHING INSTRUCTIONS) IF YOUR MOWER CLOGS WHILE MOWING, STOP THE MOWER, UNPLUG THE SAFETY KEY, THEN TURN THE MOWER ON ITS SIDE OPPOSITE THE DISCHARGE CHUTE. WITH A STICK OR A BLUNT OBJECT CLEAN THE UNDERSIDE OF THE MOWER DECK.

Your lawnmower is equipped with a mulch plate which converts your lawnmower into a mulcher. With the mulch plate installed and the standard mulching blade (standard equipment installed at the factory) your mower will cut grass and convert it to mulch which will settle down deep in your lawn disappearing and nurturing the grass. When mulching there is no need to bag the clippings or rake the lawn... the clippings simply disappear. Your mower was shipped with the mulch plate installed. To remove the plate for side bagging or discharging as you mow, follow the steps listed below.

1. TURN OFF AND UNPLUG THE MOWER.
2. Raise the discharge chute cover and hold it up.

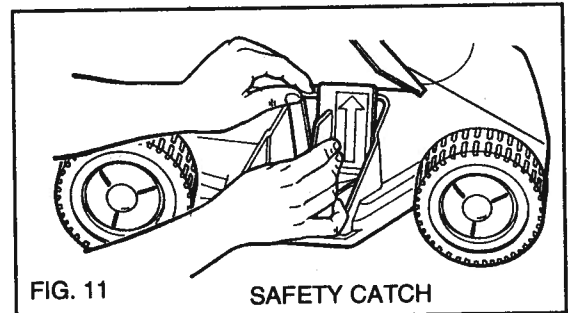


FIG. 11

SAFETY CATCH

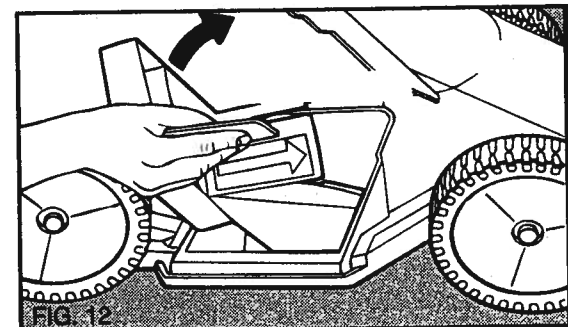


FIG. 12

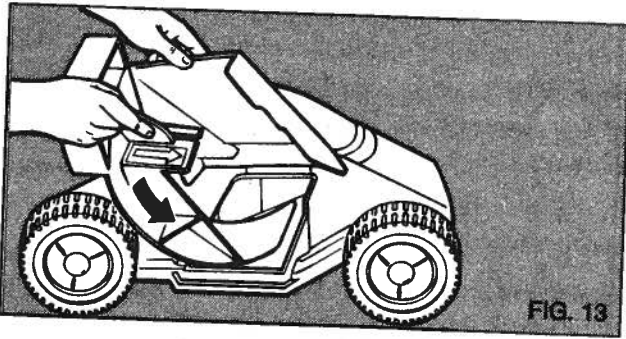


FIG. 13

3. Grasp the mulch plate handle, as shown in Figure 11, and lift the safety catch shown in Figure 11. Withdraw the mulch plate while rotating the plate clockwise.
4. Once the handle is raised to its full height, as shown in Figure 12, rotate it clockwise and pull it out of the mower.

You are now ready to cut without mulching.

In order to install the mulch plate simply reverse the steps listed above, rotating the plate counterclockwise as you insert it into the mower deck, as shown in Figure 13. When it is in as far as it will go, turn the handle counterclockwise until the locking tab snaps into place. These instructions are repeated on the mulch plate itself.

During moderate growth periods the mower can be used as a standard side discharge power mower by removing the mulch plate. The grass clippings are then distributed over the lawn returning natural nutrients. (Fig. 14)

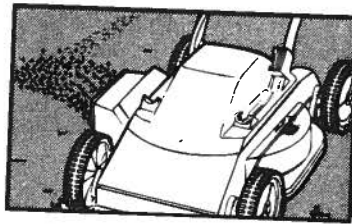


FIG. 14

During slow growth periods, the mower can be converted to a mulcher by inserting the mulch plate (Fig. 13). With the mulch plate in position, the deck becomes fully enclosed and creates the strong airflow required to evenly distribute the grass clippings across the cutting path (Fig. 15). A multi-pitch blade sets up a powerful vacuum action to draw grass up straight for the blade to cut. The extra suction then keeps the cuttings airborne inside the chamber, allowing the grass clippings to be cut and re-cut into fine particles or mulch (Fig. 16, 17).

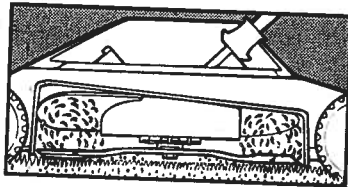


FIG. 15

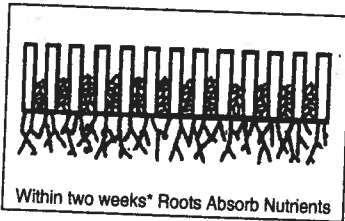


FIG. 16

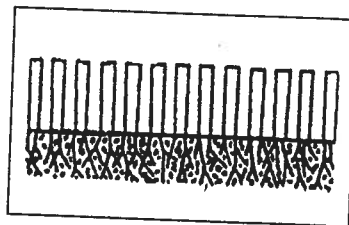


FIG. 17

*It is hard to put into actual days the time required for decomposition, primarily because this process varies greatly with environmental conditions such as temperature, amount of water present and whether or not the lawn has been treated with an insecticide or fungicide (which has killed off some of the micro organisms necessary to the process). Normally two weeks (14 days) is more than sufficient for the decomposition process.

MAINTENANCE

1. Be sure the switch lever is released, the Safety Key is removed, and that the blade has stopped rotating before doing any maintenance.
2. Maintain mower properly, frequently checking:
 - A. Handle mounting and assembly.
 - B. Blade Mounting and tightness.
 - C. Blade for damage and sharpness.
 - D. All nuts and bolts for tightness.
 - E. Deck for any damage or cracks.
3. Store mower indoors when not in use. Mower should be stored indoors in dry, locked-up place, with safety key removed and out of reach of children.
4. Use only identical Black & Decker Replacement Blades.
5. Use of accessory attachments other than those recommended by the product manufacturer may cause hazards.
6. A lawnmower should be repaired by a qualified service technician. We recommend you return the mower to the closest authorized Black & Decker service depot nearest you for repairs. Always use and insist on genuine factory replacement parts when servicing. Should your mower require service always bring the complete unit including mower, charger and safety key.

REMOVING AND ATTACHING BLADE

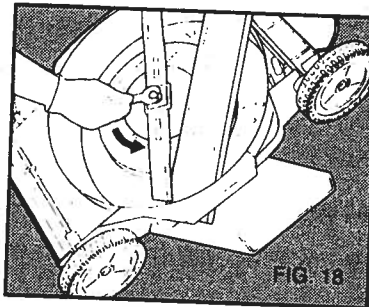


FIG. 18

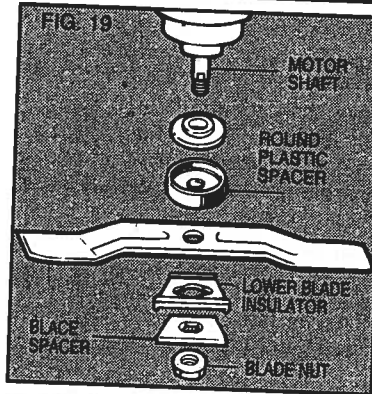


FIG. 19

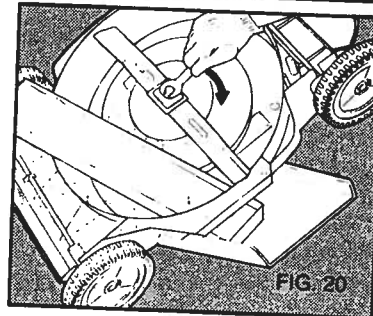


FIG. 20

1. REMOVE SAFETY KEY.
2. Wear gloves to protect hands and turn mower over to expose blade.
3. Use a piece of 2" x 4" wood (about 2 feet long) to jam the blade and keep from turning. See (Fig. 18) Remove blade nut as shown in Fig. 18.
4. Remove blade spacer, lower blade insulator and blade. See (Fig. 19).
5. To replace sharpened blade or to install a new blade, place the blade on the round plastic spacer, make sure cutting edges of the blade are closest to the ground. Place lower blade insulator over shoulder of the plastic spacer protruding thru the blade. Now place the square steel blade spacer on

the motor shaft aligning the inside flats with the shaft and engaging the outside edges with the plastic spacer. Tighten securely with the blade nut. Reposition the 2" x 4" piece of wood to keep the shaft and blade from turning. See (Fig. 20).

CAUTION

ALWAYS REPLACE A BENT OR DAMAGED BLADE. THE BLADE IS SHARPENED AND BALANCED BEFORE IT LEAVES THE FACTORY. HOWEVER, AFTER SEVERAL HOME SHARPENINGS AND REPEATED IMPACT FROM STRIKING SOLID OBJECTS IT MAY BECOME NECESSARY TO REPLACE THE BLADE. YOUR BLACK & DECKER AUTHORIZED SERVICE DEPOT CAN PROVIDE A NEW BLADE AT A REASONABLE COST.

BLADE SHARPENING

KEEP BLADE SHARP FOR BEST MOWER PERFORMANCE. A DULL BLADE DOES NOT CUT GRASS EVENLY AND DISCHARGES THE BATTERY QUICKLY. WEAR PROPER EYE PROTECTION

In most areas sharpening the blade twice during the mowing season should be sufficient. In areas having sandy soil, more frequent sharpenings are required, as sand dulls the blade faster.

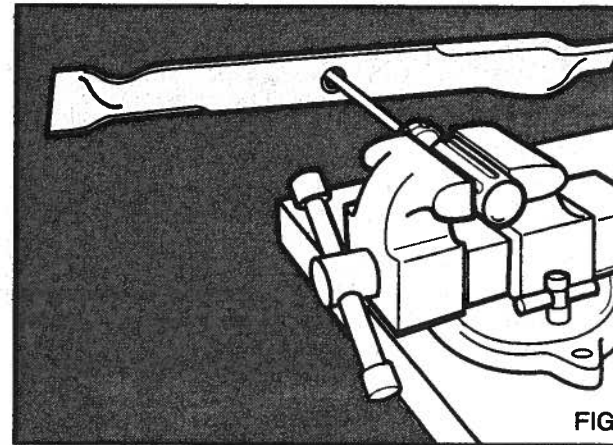
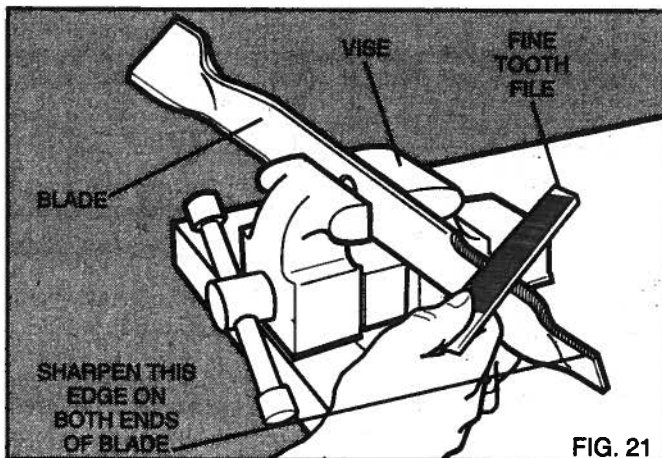
TO SHARPEN BLADE IN A VISE:

See Figure 21

1. REMOVE SAFETY KEY
2. Remove blade from mower. See instructions for removing and attaching blade.
3. Secure blade in a vise as shown in figure 21.
4. Wear safety glasses and be careful not to cut yourself.
5. Carefully file the cutting edges of the blade with a fine tooth file or sharpening stone.
6. Check balance of blade. See instructions for blade balancing.
7. Replace blade on mower and tighten securely.

BLADE BALANCING

Check balance of blade by placing centre hole in blade over a nail or screwdriver shank, clamped horizontally in a vise. If either end of the blade rotates downward, file that end. Blade is properly balanced when neither end drops. See (FIG. 22)



LUBRICATION

No lubrication is necessary. DO NOT oil the wheels. have plastic bearing surface which require no lubrication.

CLEANING

REMOVE SAFETY KEY!

Use mild soap and a damp cloth to clean the mower. Remove any clippings which may have accumulated on the underside of the deck. Check all nuts and bolts for tightness. If you mow an area where fertilizers or chemicals have been used, the mower should be cleaned more frequently. Follow cleaning instructions.



CAUTION

DO NOT SPRAY OR POUR WATER ON THE MOWER IN AN ATTEMPT TO CLEAN IT

Based on seasonally consistent cutting schedules your mower will cut up to 10,000 square feet on a single charge. During spring when the grass is lush it may cut less. During summer when the grass is light and dry it will cut more. In the fall when the grass is wetter it may cut less.

HERE ARE SOME HELPFUL HINTS TO GET THE MOST FROM YOUR BLACK & DECKER CORDLESS POWER MOWER...AND KEEP YOUR LAWN LOOKING BEAUTIFUL

1. Lawns should first be mowed in the spring when the grass is about 2 1/2 to 3 inches high. Mowing too early reduces the grass root systems which renew themselves in spring. New grass should be clipped when it is about 1/2 inches high.
2. Do not remove too much grass blade surface at a time...never more than 1/3 of the leaf height during cutting. Cutting too close "shocks" sensitive grass blades resulting in a shallow root system and thus making it difficult for your lawn to reach water in the soil.
3. Lawn care experts say that excessively close cutting is responsible for much of the difficulty experienced on many lawns. The depth and strength of the roots of a lawn are almost exactly proportional to its growth. Grass on mature lawns often are seriously injured when mowed shorter than 1 1/2 inches, and a height of 1 1/2

- inches is preferred on large lawns.
4. Mow your lawn when it is dry to avoid clumping of wet grass. If you have a choice, late afternoon is the ideal time for mowing, not only because the grass is dry, but also because the sensitive new cut area of the grass will not be exposed to intense sunlight.
 5. Keep the mowing blade sharp for a nice clean cut. This improves the mower's performance and enhances the look of your lawn. A dull blade shatters and bruises the tips of the grass. This impairs the healthy growth of your lawn and increases susceptibility to turf diseases. If the grass tips are bruised it causes a brownish colour and gives your lawn an unhealthy appearance. A dull blade may also pull up young seedlings.
 6. Try to mow your lawn at the same (consistent) cutting height. While there are times when you should vary the cutting height with the changing seasons, a consistent cutting height produces a healthier, lovelier lawn with generally fewer weeds. Mow more frequently during periods of fast growth. Frequent cutting ensures that the lower, less attractive portion of the grass will not show.
 7. If your lawn has grown too long, (a vacation, for example, may interrupt your cutting schedule) mow at a cutting height one or two positions higher than normal. A second pass at "normal" cutting height a few days later will put your lawn back on schedule.
 8. During the spring and fall, (or after an interruption to the cutting schedule) the grass will be longer and thicker. If the motor continually slows down while cutting, try setting the wheels for a higher cutting height. Excessive motor loading can result in uneven cutting, and quicker discharge of the battery or circuit breaker to trip, causing the motor to stop.
 9. Three good ideas to enhance your lawn's appearance: Vary the mowing direction frequently; mow horizontally on hillsides; (this is also a good safety practice) and do not forget to overlap the mowing path on each pass.
 10. Always mow grass so that clippings are discharged onto cut lawn. This will keep your lawn looking fresh by avoiding "Cut Grass" build-up which will eventually brown and appear ugly. This method also preserves your battery charge, ensuring you get the most from your Black & Decker Cordless Power Mower.
 11. During the spring and fall seasons when the grass is longer and thicker, you can use your mower without it being fully recharged. (i.e. green charge indication light is on). This will enable you to perform short cutting tasks, but we don't recommend this be done frequently, the battery and mower perform much better if charged fully.

TROUBLE SHOOTING GUIDE

PROBLEM

SOLUTION

1. Mower doesn't run when switch lever is actuated.	<p>A. Check to make sure safety key has been installed and is fully seated.</p> <p>B. Remove safety key, turn mower over and check that blade is free to turn.</p> <p>C. Has battery been fully charged? Plug in charger and wait for green light to come on.</p>
2. Motor stops while mowing.	<p>A. Remove Safety Key. Turn mower over and check that blade is free to turn.</p> <p>B. Raise cutting height of wheels to highest position and start mower.</p> <p>C. Has battery been fully charged? Plug in charger and wait for green light to come on.</p> <p>D. Circuit breaker may have tripped. Re-set time could be as long as 1 minute.</p>
3. Mower runs but cutting performance is unsatisfactory, or does not cut your entire lawn.	<p>A. Has battery been fully charged? (See Problem 1, Solution "C".)</p> <p>B. Remove Safety Key. Turn mower over and check: *Blade for sharpness *Deck and discharge chute for clogging.</p> <p>C. Wheel height adjustment may be set too low for grass condition. Raise cutting height.</p>
4. Mower is too hard to push.	<p>A. Raise cutting height to reduce deck drag on grass. Check each wheel for free rotation.</p>
5. Mower is abnormally noisy and vibrates.	<p>A. Remove Safety Key. Turn mower on side and check blade to ensure it has not been bent or damaged. If blade is damaged, replace with a Black & Decker replacement blade. If the underside of the deck is damaged return mower to a Black & Decker Authorized service depot.</p> <p>B. If there is no visible damage to the blade and the mower still vibrates, return the mower to an authorized Black & Decker service depot.</p>

NOTE

Should the red light remain on after charging the battery for 24 hours on initial charge, the mower can still be used. The battery may need to be "conditioned" requiring a few battery charge and discharge cycles before the green indicator light comes on.

THIS IS ONLY A GUIDE INTENDED TO ENABLE YOU TO PERFORM VISUAL CHECKS AND SIMPLE TESTS. SHOULD NONE OF THE SOLUTIONS PROVIDE SATISFACTION OR IMPROVE PERFORMANCE, YOU SHOULD TAKE THIS MOWER TO THE CLOSEST AUTHORIZED BLACK & DECKER SERVICE CENTRE FOR SERVICING.

ENGLISH
ENGLISH
ENGLISH

WARRANTY/GUARANTEES

Important

To assure product SAFETY and RELIABILITY, repairs, maintenance and adjustment (including brush inspection and replacement) should be performed by BLACK & DECKER Service Centres or other qualified service organizations, always using Black & Decker replacement parts. When servicing use ONLY IDENTICAL REPLACEMENT PARTS.

HOME USE WARRANTY FULL TWO-YEAR WARRANTY ON MOWER AND FULL FIVE-YEAR WARRANTY ON PLASTIC DECK

Black & Decker warrants (in non-commercial use) this entire mower for two years and the plastic deck (only) of the mower for five years against defects that are due to faulty materials or workmanship. Please return the mower to Black & Decker Service Centre or Authorized Service Depot for free replacement or repair at our option (proof of purchase may be required). This warranty gives you specific legal rights you may have other rights which vary from state to state or province to province. Should you have any questions, contact your nearest Black & Decker Service Centre.

30-Day No-Risk Try Out

If you are not completely satisfied with this product's performance, simply return to your place of purchase within 30 days for a full refund.

BATTERY RECYCLING

This product contains a lead-acid battery, which must be recycled. Do not dispose with trash. Battery may be returned for recycling to a Black & Decker Service Center, or to any facility that recycles lead-acid batteries.

THE CONSUMER 1-800 HELP LINE

For your assistance, Black & Decker has installed a toll-free number. Should you have any questions that are not explained in the Instruction Manual or experience any difficulties with your Black & Decker Lawnmower, please phone

1-800-762-6672 UNITED STATES AND CANADA

An operator is available to answer your call between 8:00 and 5:00 p.m.(EST) Monday through Friday (excluding holidays).

Accessories

UNITED STATES CONSUMERS – The following pertains to US residents:

- MC-001,LM-001GRASS CUTTING
- ASSEMBLY
- CB-650.....
- REPLACEMENT BLADE
- 72-000.....PROTECTOR
- SPECTACLES

A complete listing of service centres is included on the owner's registration card packed with your tool. If you need assistance in locating any accessory please contact:
Black & Decker (U.S.) Inc. Consumer Service Department
626 Hanover Pike P.O. Box 618 Hampstead, MD 21074-0618

CANADIAN CONSUMERS – The following pertains to Canadian residents:

- 57-120-04GRASS CUTTING
- ASSEMBLY

CAUTION: The above accessories are recommended for use with your mower. The use of any other accessory or attachment might be hazardous. The accessories listed in this manual are available at extra cost from your local dealer or Black & Decker Service Centre.

BEYOND WARRANTY SERVICE

FOR BEYOND WARRANTY SERVICE WE RECOMMEND THAT YOU USE OUR AUTHORIZED SERVICE DEPOTS AS THESE FACILITIES CARRY REPLACEMENT PARTS AND HAVE THE PROPER SERVICING AND TEST EQUIPMENT FOR MAJOR REPAIRS.

SAVE THESE INSTRUCTIONS FOR FUTURE USE