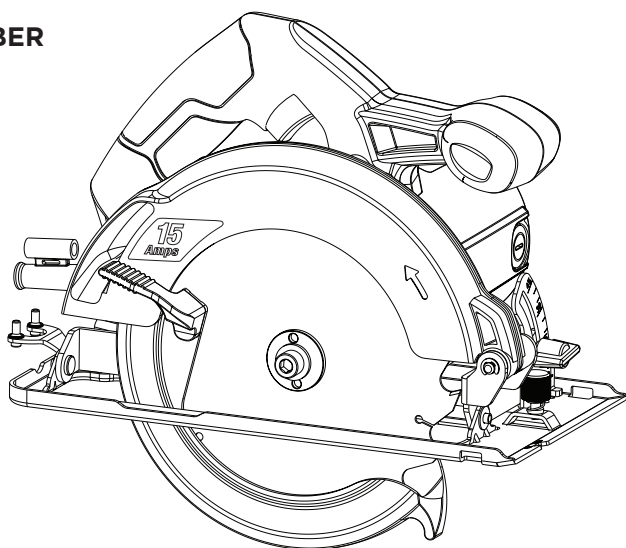


BLACK+ DECKER™

7-1/4" (184MM), 15 AMP CIRCULAR SAW

INSTRUCTION MANUAL

**CATALOG NUMBER
CS1015**



Thank you for choosing BLACK+DECKER!

PLEASE READ BEFORE RETURNING THIS PRODUCT FOR ANY REASON.

If you have a question or experience a problem with your BLACK+DECKER purchase, go to <http://www.blackanddecker.com/instantanswers>

If you can't find the answer or do not have access to the Internet, call 1-800-544-6986 from 8 a.m. to 5 p.m. EST Mon. - Fri. to speak with an agent.

Please have the catalog number available when you call.

SAVE THIS MANUAL FOR FUTURE REFERENCE.

VEA EL ESPAÑOL EN LA CONTRAPORTADA.

INSTRUCTIVO DE OPERACIÓN, CENTROS DE SERVICIO Y PÓLIZA DE GARANTÍA.

ADVERTENCIA: LÉASE ESTE INSTRUCTIVO ANTES DE USAR EL PRODUCTO.

To register your new product, visit
www.BlackandDecker.com/NewOwner

SAFETY GUIDELINES - DEFINITIONS

It is important for you to read and understand this manual. The information it contains relates to protecting YOUR SAFETY and PREVENTING PROBLEMS. The symbols below are used to help you recognize this information.

⚠ DANGER: Indicates an imminently hazardous situation which, if not avoided, will result in death or serious injury.

⚠ WARNING: Indicates a potentially hazardous situation which, if not avoided, could result in death or serious injury.

⚠ CAUTION: Indicates a potentially hazardous situation which, if not avoided, may result in minor or moderate injury.

NOTICE: Used without the safety alert symbol indicates potentially hazardous situation which, if not avoided, may result in property damage.

GENERAL POWER TOOL SAFETY WARNINGS

⚠ WARNING: Read all safety warnings and all instructions. Failure to follow the warnings and instructions may result in electric shock, fire and/or serious injury.

SAVE ALL WARNINGS AND

INSTRUCTIONS FOR FUTURE REFERENCE

The term "power tool" in the warnings refers to your mains-operated (corded) power tool or battery-operated (cordless) power tool.

1) WORK AREA SAFETY

- a) **Keep work area clean and well lit.** *littered or dark areas invite accidents.*
- b) **Do not operate power tools in explosive atmospheres, such as in the presence of flammable liquids, gases or dust.** *Power tools create sparks which may ignite the dust or fumes.*
- c) **Keep children and bystanders away while operating a power tool.** *Distractions can cause you to lose control.*

2) ELECTRICAL SAFETY

- a) **Power tool plugs must match the outlet. Never modify the plug in any way. Do not use any adapter plugs with earthed (grounded) power tools.** *Unmodified plugs and matching outlets will reduce risk of electric shock.*
- b) **Avoid body contact with earthed or grounded surfaces such as pipes, radiators, ranges and refrigerators.** *There is an increased risk of electric shock if your body is earthed or grounded.*
- c) **Do not expose power tools to rain or wet conditions.** *Water entering a power tool will increase the risk of electric shock.*
- d) **Do not abuse the cord. Never use the cord for carrying, pulling or unplugging the power tool. Keep**

cord away from heat, oil, sharp edges or moving parts. *Damaged or entangled cords increase the risk of electric shock.*

- e) **When operating a power tool outdoors, use an extension cord suitable for outdoor use.** *Use of a cord suitable for outdoor use reduces the risk of electric shock.*
 - f) **If operating a power tool in a damp location is unavoidable, use a ground fault circuit interrupter (GFCI) protected supply.** *Use of a GFCI reduces the risk of electric shock.*
- #### 3) PERSONAL SAFETY
- a) **Stay alert, watch what you are doing and use common sense when operating a power tool. Do not use a power tool while you are tired or under the influence of drugs, alcohol or medication.** *A moment of inattention while operating power tools may result in serious personal injury.*
 - b) **Use personal protective equipment. Always wear eye protection.** *Protective equipment such as dust mask, nonskid safety shoes, hard hat, or hearing protection used for appropriate conditions will reduce personal injuries.*
 - c) **Prevent unintentional starting.** **Ensure the switch is in the off position before connecting to power source and/ or battery pack, picking up or carrying the tool.** *Carrying power tools with your finger on the switch or energizing power tools that have the switch on invites accidents.*
 - d) **Remove any adjusting key or wrench before turning the power tool on.** *A wrench or a key left attached to a rotating part of the power tool may result in personal injury.*
 - e) **Do not overreach. Keep proper footing and balance at all times.**

This enables better control of the power tool in unexpected situations.

identical replacement parts. *This will ensure that the safety of the power tool is maintained.*

SAFETY INSTRUCTIONS FOR ALL SAWS

- ⚠ DANGER:** Keep hands away from cutting area and the blade. Keep your second hand on auxiliary handle or motor housing. If both hands are holding the saw, they cannot be cut by the blade.
- b) **Do not reach underneath the workpiece.** The guard cannot protect you from the blade below the workpiece.
 - c) **Adjust the cutting depth to the thickness of the workpiece.** Less than a full tooth of the blade teeth should be visible below the workpiece.
 - d) **Never hold piece being cut in your hands or across your leg. Secure the workpiece to a stable platform.** It is important to support the work properly to minimize body exposure, blade binding, or loss of control.
 - e) **Hold power tool by insulated gripping surfaces when performing an operation where the cutting tool may contact hidden wiring or its own cord.** Contact with a "live" wire will also make exposed metal parts of the power tool "live" and shock the operator.
 - f) **When ripping always use a rip fence or straight edge guide.** This improves the accuracy of cut and reduces the chance of blade binding.
 - g) **Always use blades with correct size and shape (diamond versus round) of arbour holes.** Blades that do not match the mounting hardware of the saw will run eccentrically, causing loss of control.
 - h) **Never use damaged or incorrect blade washers or bolt.** The blade washers and bolt were specially designed for your saw, for optimum performance and safety of operation.

CAUSES AND OPERATOR PREVENTION OF KICKBACK:

- Kickback is a sudden reaction to a pinched, bound or misaligned saw blade, causing an uncontrolled saw to lift up and out of the workpiece toward the operator.
- When the blade is pinched or bound tightly by the kerf closing down, the blade stalls and the motor reaction drives the unit rapidly back toward the operator.
- If the blade becomes twisted or misaligned in the cut, the teeth at the back edge of the blade can dig into the top surface of the wood causing the blade to climb out of the kerf and jump back toward the operator.

- f) **Dress properly. Do not wear loose clothing or jewelry. Keep your hair, clothing and gloves away from moving parts.** *Loose clothes, jewelry or long hair can be caught in moving parts.*
 - g) **If devices are provided for the connection of dust extraction and collection facilities, ensure these are connected and properly used.** *Use of dust collection can reduce dust-related hazards.*
- ### 4) POWER TOOL USE AND CARE
- a) **Do not force the power tool. Use the correct power tool for your application.** *The correct power tool will do the job better and safer at the rate for which it was designed.*
 - b) **Do not use the power tool if the switch does not turn it on and off.** *Any power tool that cannot be controlled with the switch is dangerous and must be repaired.*
 - c) **Disconnect the plug from the power source and/or the battery pack from the power tool before making any adjustments, changing accessories, or storing power tools.** *Such preventive safety measures reduce the risk of starting the power tool accidentally.*
 - d) **Store idle power tools out of the reach of children and do not allow persons unfamiliar with the power tool or these instructions to operate the power tool.** *Power tools are dangerous in the hands of untrained users.*
 - e) **Maintain power tools. Check for misalignment or binding of moving parts, breakage of parts and any other condition that may affect the power tool's operation. If damaged, have the power tool repaired before use.** *Many accidents are caused by poorly maintained power tools.*
 - f) **Keep cutting tools sharp and clean.** *Properly maintained cutting tools with sharp cutting edges are less likely to bind and are easier to control.*
 - g) **Use the power tool, accessories and tool bits, etc. in accordance with these instructions, taking into account the working conditions and the work to be performed.** *Use of the power tool for operations different from those intended could result in a hazardous situation.*
- ### 5) SERVICE
- a) **Have your power tool serviced by a qualified repair person using only**

Kickback is the result of saw misuse and/or incorrect operating procedures or conditions and can be avoided by taking proper precautions as given below:

- a) **Maintain a firm grip with both hands on the saw and position your arms to resist kickback forces. Position your body to either side of the blade, but not in line with the blade.** *Kickback could cause the saw to jump backwards, but kickback forces can be controlled by the operator, if proper precautions are taken.*
- b) **When blade is binding, or when interrupting a cut for any reason, release the trigger and hold the saw motionless in the material until the blade comes to a complete stop. Never attempt to remove the saw from the work or pull the saw backward while the blade is in motion or kickback may occur.** *Investigate and take corrective actions to eliminate the cause of blade binding.*
- c) **When restarting a saw in the workpiece, center the saw blade in the kerf and check that saw teeth are not engaged into the material.** *If saw blade is binding, it may walk up or kickback from the workpiece as the saw is restarted.*
- d) **Support large panels to minimize the risk of blade pinching and kickback.** *Large panels tend to sag under their own weight. Supports must be placed under the panel on both sides, near the line of cut and near the edge of the panel.*
- e) **Do not use dull or damaged blades.** *Unsharpened or improperly set blades produce narrow kerf causing excessive friction, blade binding and kickback.*
- f) **Blade depth and bevel adjusting locking levers must be tight and secure before making cut.** *If blade adjustment shifts while cutting, it may cause binding and kickback.*
- g) **Use extra caution when making a “plunge cut” into existing walls or other blind areas.** *The protruding blade may cut objects that can cause kickback.*

LOWER GUARD SAFETY INSTRUCTIONS

- a) **Check lower guard for proper closing before each use. Do not operate the saw if lower guard does not move freely and close instantly. Never clamp or tie the lower guard into the open position.** *If saw is accidentally dropped, lower guard may be bent. Raise the lower guard with the retracting handle and make sure it moves freely and does not touch the blade or any other part, in all angles and depths of cut.*
- b) **Check the operation of the lower guard spring. If the guard and the spring are not operating properly, they must be**

serviced before use. *Lower guard may operate sluggishly due to damaged parts, gummy deposits, or a buildup of debris.*

- c) **Lower guard should be retracted manually only for special cuts such as “plunge cuts” and “compound cuts.”** *Raise lower guard by retracting handle and as soon as blade enters the material, the lower guard must be released. For all other sawing, the lower guard should operate automatically.*
- d) **Always observe that the lower guard is covering the blade before placing saw down on bench or floor.** *An unprotected, coasting blade will cause the saw to walk backwards, cutting whatever is in its path. Be aware of the time it takes for the blade to stop after switch is released.*

ADDITIONAL SAFETY INSTRUCTIONS

- **Use clamps or another practical way to secure and support the workpiece to a stable platform.** *Holding the work by hand or against your body leaves it unstable and may lead to loss of control.*
- **Keep your body positioned to either side of the blade, but not in line with the saw blade.** *KICKBACK could cause the saw to jump backwards (see Causes and Operator Prevention of Kickback and KICKBACK).*
- **Avoid cutting nails. Inspect for and remove all nails from lumber before cutting.**
- **Always make sure nothing interferes with the movement of the lower blade guard.**
- **Accessories must be rated for at least the speed recommended on the tool warning label.** *Wheels and other accessories running over rated speed can fly apart and cause injury. Accessory ratings must always be above tool speed as shown on tool nameplate.*
- **Always make sure the saw is clean before using.**
- **Stop using this saw and have it properly serviced if any unusual noise or abnormal operation occurs.**
- **Always be sure all components are mounted properly and securely before using tool.**
- **Always handle the saw blade with care when mounting or removing it or when removing the diamond knockout.**
- **Always wait until the motor has reached full speed before starting a cut.**
- **Always keep handles dry, clean and free of oil and grease. Hold the tool firmly with both hands when in use.**
- **Always be alert at all times, especially during repetitive, monotonous operations.**

Always be sure of position of your hands relative to the blade.

- Stay clear of end pieces that may fall after cutting off. They may be hot, sharp and/or heavy. Serious personal injury may result.
- Replace or repair damaged cords.

Make sure your extension cord is in good condition. Use only 3-wire extension cords that have 3-prong grounding-type plugs and 3-pole receptacles that accept the tool's plug.

• An extension cord must have adequate wire size (AWG or American Wire Gauge) for safety.

The smaller the gauge number of the wire, the greater the capacity of the cable, that is 16 gauge has more capacity than 18 gauge.

An undersized cord will cause a drop in line voltage resulting in loss of power and overheating. When using more than one extension to make up the total length, be sure each individual extension contains at least the minimum wire size. The following table shows the correct size to use depending on cord length and nameplate ampere rating. If in doubt, use the next heavier gauge. The smaller the gauge number, the heavier the cord.

Volts	Minimum Gauge for Cord Sets			
	Total Length of Cord in Feet			
120V	0-25	26-50	51-100	101-150
	(0-7,6m)	(7,6-15,2m)	(15,2-30,4m)	(30,4-45,7m)
240V	0-50	51-100	101-200	201-300
	(0-15,2m)	(15,2-30,4m)	(30,4-60,9m)	(60,9-91,4m)
Ampere Rating		American Wire Gauge		
More Than	Not more Than			
0	-6	18	16	
6	-10	18	16	
10	-12	16	16	
12	-16	14	12	
			Not Recommended	

⚠ CAUTION: Blades coast after turn off. Serious personal injury may result.

⚠ WARNING: ALWAYS wear proper personal hearing protection that conforms to ANSI S12.6 (S3.19) during use. Under some conditions and duration of use, noise from this product may contribute to hearing loss.

⚠ WARNING: ALWAYS use proper eye protection. All users and bystanders must wear proper eye protection that conforms to ANSI Z87.1.

⚠ WARNING: ALWAYS USE SAFETY GLASSES. Everyday eyeglasses are NOT safety glasses. Also use face or dust mask if cutting operation is dusty.

ALWAYS wear certified safety equipment:

- ANSI Z87.1 eye protection (CAN/CSA Z94.3).
- ANSI S12.6 (S3.19) hearing protection.
- NIOSH/OSHA respiratory protection.

⚠ WARNING: Some dust created by

power sanding, sawing, grinding, drilling, and other construction activities contains chemicals known in the state of California to cause cancer, birth defects or other reproductive harm. Some examples of these chemicals are:

- Lead from lead-based paints, crystalline silica from bricks and cement and other masonry products, and arsenic and chromium from chemically-treated lumber (CCA).
- Your risk from these exposures varies, depending on how often you do this type of work. To reduce your exposure to these chemicals: work in a well ventilated area, and work with approved safety equipment, such as those dust masks that are specially designed to filter out microscopic particles.
- **Avoid prolonged contact with dust from power sanding, sawing, grinding, drilling, and other construction activities. Wear protective clothing and wash exposed areas with soap and water.** Allowing dust to get into your mouth, eyes, or lay on the skin may promote absorption of harmful chemicals.

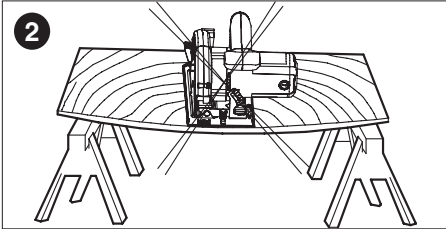
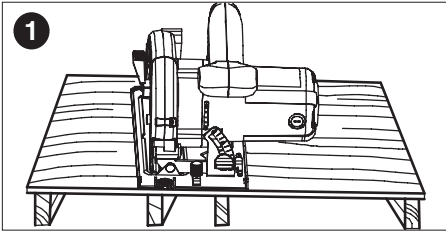
⚠ WARNING: Use of this tool can generate and/or disburse dust, which may cause serious and permanent respiratory or other injury. Always use NIOSH/OSHA approved respiratory protection appropriate for the dust exposure. Direct particles away from face and body. Always operate tool in well-ventilated area and provide for proper dust removal. Use dust collection system wherever possible.

• The label on your tool may include the following symbols. The symbols and their definitions are as follows:

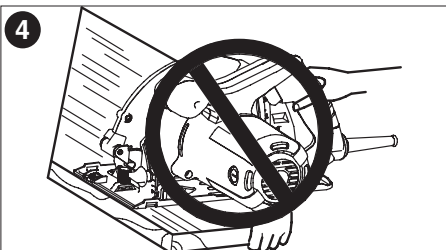
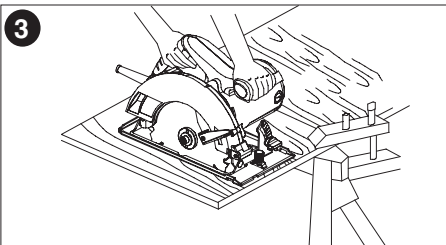
- V..... volts
- mW..... milliwatts
- nm..... wavelength in nonometers
- A..... amperes
- Hz..... hertz
- W..... watts
- min..... minutes
- ~ or AC..... alternating current
- or DC... direct current
- n_o..... no load speed
- Ⓛ..... Class I Construction (grounded)
- Ⓧ..... earthing terminal
- ⚠..... safety alert symbol
- Ⓛ..... Class II Construction (double insulated)
- .../min or rpm... revolutions or reciprocation per minute
- Ⓛ..... Use proper respiratory protection
- 📖..... Read instruction manual before use
- 👁..... Use proper eye protection
- 👂..... Use proper hearing protection

TO REDUCE THE RISK OF KICKBACK

- Keep a firm grip on saw with both hands at all times.
- Stay alert – exercise control.
- Support long overhanging materials. As the material is cut and weakens, it will sag, causing a pinched blade.
- Support large panels as shown (Fig. 1). Material supported only at the ends (Fig. 2) will lead to blade pinching.
- Avoid sawing overhead. Material can sag and will pinch blade.



- Insure that the material to be cut is clamped (figure 3) and solidly supported and balanced on a strong, stable and level work surface. Support the work so that the wide portion of the saw shoe is on the portion of the material that doesn't fall after the cut is made. Never hold cut off piece by hand (figure 4)



- Keep blades sharp and clean.
- Use fence or straight edge guide when ripping. Be careful as the cut off strip can sag or twist, closing the cut and pinching the blade, leading to KICKBACK.
- Don't force tool. Wood variables such as knots, hardness, toughness, wetness, pressure treated and freshly cut green lumber can heavily load the saw which can lead to stalling. Push the saw slower when this occurs.
- Don't remove saw from work during a cut while the blade is moving.
- Allow saw to reach full speed before blade contacts material to be cut. Starting the saw with the blade against the work or pushed forward into cut can lead to stalling or sudden backward movement of saw.
- Never attempt to lift saw when making a bevel cut. This leads to blade binding and stalling.
- Always secure work to prevent workpiece movement during cut.
- Do not try to force saw back on line if your cut begins to go off line. This can cause KICKBACK. Stop saw and allow blade to coast down to a stop. Withdraw from cut and start a new cut on the line.
- Set depth adjustment of saw such that one tooth of the blade projects below the workpiece as shown in (figure 7).
- Do not back up a rotating blade in the cut. Twisting the saw can cause the back edge of the blade to dig into the material, climb out of the work and run back toward the operator.
- Avoid cutting nails. Inspect for and remove all nails from lumber before cutting.

MOTOR

Be sure your power supply agrees with nameplate marking. 120 Volts AC means your tool will operate on standard 60 Hz household power. Do not operate AC tools on DC. A rating of 120 volts AC/DC means that your tool will operate on standard 60 Hz AC or DC power. This information is printed on the nameplate. Lower voltage will cause loss of power and can result in over-heating. All BLACK+DECKER tools are factory-tested; if this tool does not operate, check the power supply. This tool is AC only.

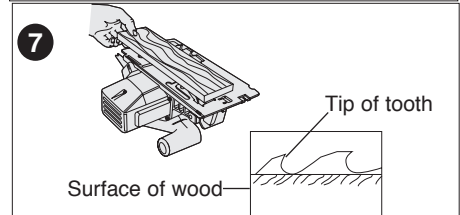
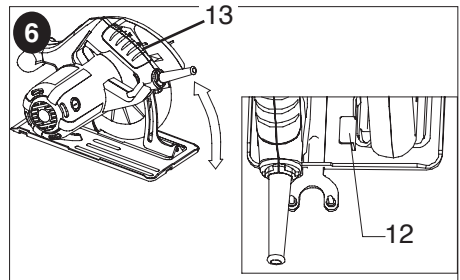
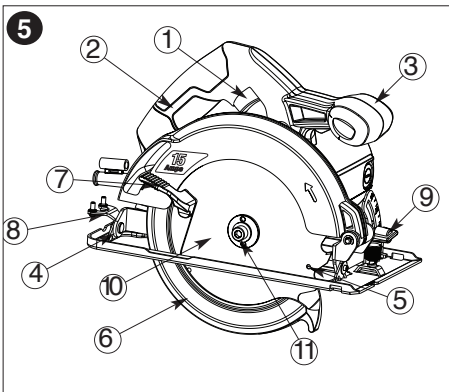
INTENDED USE

This circular saw is designed for wood cutting applications. **Do not** use water feed attachments with this saw. **Do not** use abrasive wheels or blades. **Do not** use under wet conditions or in presence of flammable liquids or gases.

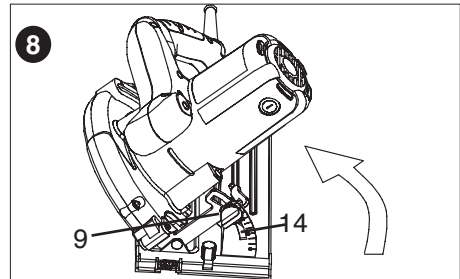
SAVE THESE INSTRUCTIONS

OVERVIEW (FIG. 5)

1. On/off switch
2. Main handle
3. Secondary handle
4. Shoe
5. Saw blade
6. Saw blade lower guard
7. Lower guard retracting lever
8. Saw blade spanner wrench
9. Bevel adjustment knob
10. Outer blade clamp washer
11. Blade retaining bolt
12. Depth adjustment lever
13. Depth scale
14. Bevel angle scale
15. Saw blade hex wrench



- Loosen the locking knob (9) to unlock the saw shoe.
- Move the saw shoe (4) into the desired position. The corresponding bevel angle can be read from the scale (14).
- Tighten the locking knob to lock the saw shoe in place.



ASSEMBLY / ADJUSTMENT SET-UP

⚠WARNING: Always unplug saw from power supply before any of the following operations.

ADJUSTING THE DEPTH OF CUT (FIG. 6 & 7)

The depth of cut should be set according to the thickness of the workpiece.

- Loosen the lever (12) to unlock the saw shoe.
- Move the saw shoe (4) into the desired position. The corresponding depth of cut can be read from the scale (13).
- Tighten the lever to lock the saw shoe in place.
- Set depth adjustment of saw such that one tooth of the blade projects below the workpiece as shown in **figure 7**.

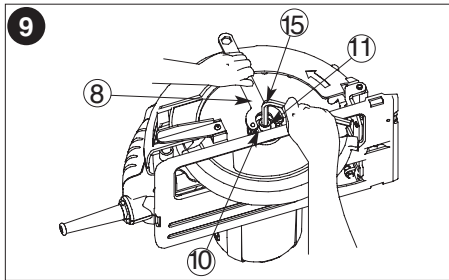
ADJUSTING THE BEVEL ANGLE (FIG. 8)

This tool can be set to bevel angles between 0° and 45°.

ATTACHING THE BLADE (FIG. 9 & 10)

- To prevent spindle rotation engage the protrusions of the spanner wrench (8) into the holes in the outer washer (10) as shown in figure 9.
- Loosen and remove the blade retaining screw (11) by turning the hex wrench (15) counter-clockwise.
- Remove the outer washer.
- Place the saw blade (5) onto the spindle shaft, (16), making sure that the arrow on the blade points in the same direction as the arrow on the upper guard of the tool.
- Fit the outer washer (10) on the spindle with the larger flat surface against the blade.
- Insert the blade retaining screw (11) into the hole in the spindle.

- Prevent spindle rotation by engaging the spanner wrench into the holes of the outer washer.
- Securely tighten the blade retaining screw by holding the spanner wrench and turning hex wrench clockwise to tighten the blade retaining screw.



- Use appropriate and required safety equipment (See Safety Rules).
 - Secure and maintain work area (See Safety Rules).
 - With plug inserted and guard closed, make sure switch turns saw on and off.
- ⚠ **WARNING:** It is important to support the work properly and to hold the saw firmly to prevent loss of control which could cause personal injury. **Figure 3** illustrates recommended hand position.

OPERATION

SWITCH

- To operate the tool, depress the trigger switch (1). The tool will continue to run as long as the trigger is depressed.
- To turn the tool off, release the trigger switch (1). There is no provision for locking the tool on, and the switch should never be locked on by any other means.

SAWING

- **⚠ WARNING:** To reduce the risk of serious personal injury, always hold the tool with both hands.
- Let the blade run freely for a few seconds before starting the cut.
- Apply only a gentle pressure to the tool while performing the cut.
- Work with the shoe pressed against the workpiece.

HINTS FOR OPTIMUM USE

- As some splintering along the line of cut on the top side of the workpiece cannot be avoided, cut on the side where splintering is acceptable.
- Where splintering is to be minimized, e.g. when cutting laminates, clamp a piece of plywood onto the top of the workpiece.

POCKET CUTTING (FIG.11)

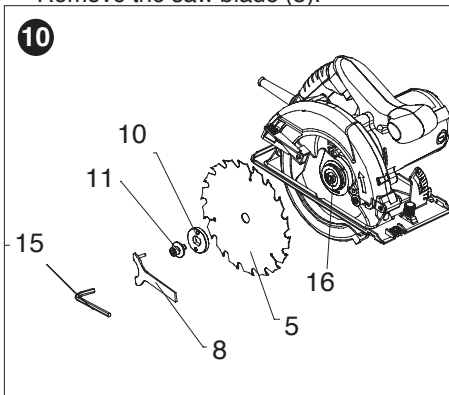
- **⚠ WARNING:** Never tie the blade guard in a raised position. Never move the saw backwards when pocket cutting. This may cause the unit to raise up off the work surface which could cause injury.

A pocket cut is one that is made in a floor, wall, or other flat surface.

- Adjust the saw foot plate so the blade cuts at desired depth.
- Tilt the saw forward and rest front of the foot plate on material to be cut.
- Using the retracting lever, retract lower

REMOVING THE BLADE

- To prevent spindle rotation, engage the protrusions of the spanner wrench (8) into the holes in the outer washer (10).
- Loosen and remove the blade retaining screw (11) by turning it counter-clockwise using the hex wrench (15).
- Remove the outer washer (10).
- Remove the saw blade (5).



- **⚠ WARNING:** To reduce the risk of serious personal injury, read, understand and follow all important safety warnings and instructions prior to using tool.

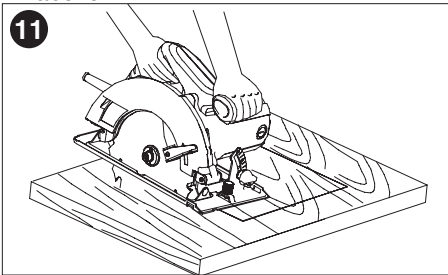
GENERAL CUTS (IMPORTANT: READ SAFETY WARNINGS AND INSTRUCTIONS.)

GUARD AGAINST KICKBACK

- With unit unplugged, follow all assembly, adjustment and set up instructions. Make sure lower guard operates. Select the proper blade for the material to be cut.
- Measure and mark work for cutting.
 - Support and secure work properly (See Safety Rules and Instructions).

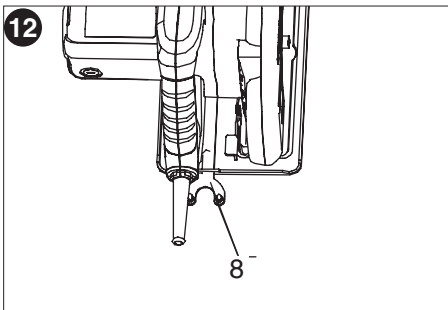
blade guard to an upward position. Lower rear of foot plate until blade teeth almost touch cutting line.

- Release the blade guard (its contact with the work will keep it in position to open freely as you start the cut). Remove hand from guard lever and firmly grip secondary handle (3), as shown in **figure 11**. Position your body and arm to allow you to resist kickback if it occurs.
- Make sure blade is not in contact with cutting surface before starting saw.
- Start the motor and gradually lower the saw until its foot plate rests flat on the material to be cut. Advance saw along the cutting line until cut is completed as shown in **figure 11**.
- Release trigger and allow blade to stop completely before withdrawing the blade from the material.
- When starting each new cut, repeat as above.



WRENCH STORAGE (FIG.12)

The spanner wrench (8) can be stored on the saw shoe as shown in **figure 12**.



MAINTENANCE

Use only mild soap and damp cloth to clean the tool. Never let any liquid get inside the tool; never immerse any part of the tool into a liquid.

IMPORTANT: To assure product SAFETY and RELIABILITY, repairs, maintenance and adjustment (other than those listed in this manual) should be performed by authorized service centers or other qualified service organizations, always using identical replacement parts.

LUBRICATION

BLACK+DECKER tools are properly lubricated at the factory and are ready for use.

ACCESSORIES

Rip fences and other accessories are available from BLACK+DECKER Service Centers. To find your local service location, call: **1-800-544-6986** or visit **www.blackanddecker.com**

Recommended accessories for use with your tool are available from your local retailer.

⚠ WARNING: The use of any accessory not recommended for use with this tool could be hazardous. Use only 7-1/4" (184mm) blades with 5/8" diameter arbor.

SERVICE INFORMATION

All BLACK+DECKER Service Centers are staffed with trained personnel to provide customers with efficient and reliable power tool service. Whether you need technical advice, repair, or genuine factory replacement parts, contact the BLACK+DECKER location nearest you. To find your local service location, call: **1-800-544-6986** or visit **www.blackanddecker.com**

FULL TWO-YEAR HOME USE WARRANTY

Black & Decker (U.S.) Inc. warrants this product for two years against any defects in material or workmanship. The defective product will be replaced or repaired at no charge in either of two ways.

The first, which will result in exchanges only, is to return the product to the retailer from whom it was purchased (provided that the store is a participating retailer). Returns should be made within the time period of the retailer's policy for exchanges (usually 30 to 90 days after

the sale). Proof of purchase may be required. Please check with the retailer for their specific return policy regarding returns that are beyond the time set for exchanges.

The second option is to take or send the product (prepaid) to a BLACK+DECKER owned or authorized Service Center for repair or replacement at our option. Proof of purchase may be required.

This warranty does not apply to accessories. This warranty gives you specific legal rights and you may have other rights which vary from state to state or province to province. Should you have any questions, contact the manager of your nearest BLACK+DECKER Service Center. This product is not intended for commercial use.

Free Warning Label Replacement: If your warning labels become illegible or are missing, call **1-800-544-6986** for a free replacement.

TROUBLESHOOTING

Problem

- Unit will not start.

Possible Cause

- Cord not plugged in.
- Circuit fuse is blown.
- Circuit breaker is tripped.
- Cord or switch is damaged.

Possible Solution

- Plug tool into a working outlet.
- Replace circuit fuse. (If the product repeatedly causes the circuit fuse to blow, discontinue use immediately and have it serviced at a BLACK+DECKER service center or authorized servicer.)
- Reset circuit breaker. (If the product repeatedly causes the circuit breaker to trip, discontinue use immediately and have it serviced at a BLACK+DECKER service center or authorized servicer.)
- Have cord or switch replaced at BLACK+DECKER Service Center or Authorized Servicer

For assistance with your product, visit our website www.blackanddecker.com for the location of the service center nearest you or call the BLACK+DECKER help line at **1-800-544-6986**.

Imported by
Black & Decker (U.S.) Inc.,
701 E. Joppa Rd.
Towson, MD 21286 U.S.A.



BLACK+ DECKER™

SCIE CIRCULAIRES 7-1/4" (184MM), 15 AMPÈRE

MODE D'EMPLOI

NUMERO DE CATALOGUE CS1015

Merci d'avoir choisi BLACK+DECKER! Consulter le site Web www.BlackandDecker.com/NewOwner pour enregistrer votre nouveau produit. **À LIRE AVANT DE RETOURNER CE PRODUIT POUR QUELQUE RAISON QUE CE SOIT :**

Si des questions ou des problèmes surgissent après l'achat d'un produit BLACK+DECKER, consulter le site Web www.blackanddecker.com/instantanswers pour obtenir des réponses instantanément 24 heures par jour. Si la réponse est introuvable ou en l'absence d'accès à l'Internet, composer le 1 800 544-6986 de 8 h à 17 h HNE, du lundi au vendredi, pour parler avec un agent. Prière d'avoir le numéro de catalogue sous la main lors de l'appel.


Pour l'achat d'un filtre de rechange composer le 1-888-678-7278
CONSERVER CE MODE D'EMPLOI POUR UN USAGE ULTÉRIEUR.


Consulter le site Web www.BlackandDecker.com/NewOwner pour enregistrer votre nouveau produit.

LIGNES DIRECTRICES EN MATIÈRE DE SÉCURITÉ - DÉFINITIONS

est important que vous lisiez et compreniez ce mode d'emploi. Les informations qu'il contient concernent VOTRE SÉCURITÉ et visent à ÉVITER TOUT PROBLÈME. Les symboles ci-dessous servent à vous aider à reconnaître cette information.

 **DANGER** : Indique une situation dangereuse imminente qui, si elle n'est pas évitée, causera la mort ou des graves blessures.

 **AVERTISSEMENT** : Indique une situation potentiellement dangereuse qui, si elle n'est pas évitée, pourrait causer la mort ou de graves blessures.

 **MISE EN GARDE** : Indique une situation potentiellement dangereuse qui, si elle n'est pas évitée, pourrait causer des blessures mineures ou modérées.

AVIS : Utilisé sans le symbole d'alerte à la sécurité, indique une situation potentiellement dangereuse qui, si elle n'est pas évitée, peut résulter en des dommages à la propriété.

Avertissements de sécurité généraux pour les outils électriques

⚠ AVERTISSEMENT! Lire tous les avertissements de sécurité et toutes les directives. Le non-respect des avertissements et des directives pourrait se solder par un choc électrique, un incendie et/ou une blessure grave.

Conserver tous les avertissements et toutes les directives pour un usage ultérieur.

Le terme «outil électrique» cité dans les avertissements se rapporte à votre outil électrique à alimentation sur secteur (avec fil) ou par piles (sans fil).

1) Sécurité du lieu de travail

- a) **Tenir la zone de travail propre et bien éclairée.** *Les endroits sombres sont souvent des causes d'accidents.*
- b) **Ne pas faire fonctionner d'outils électriques dans un milieu déflagrant, soit en présence de liquides inflammables, de gaz ou de poussière.** *Les outils électriques produisent des étincelles qui peuvent enflammer la poussière ou les vapeurs.*
- c) **Éloigner les enfants et les curieux au moment d'utiliser un outil électrique.** *Une distraction pourrait vous en faire perdre la maîtrise.*

2) Sécurité en matière d'électricité

- a) **Les fiches des outils électriques doivent correspondre à la prise. Ne jamais modifier la fiche en aucune façon. Ne jamais utiliser de fiche d'adaptation avec un outil électrique mis à la terre. Le risque de choc électrique sera réduit par l'utilisation de fiches non modifiées correspondant à la prise.**
- b) **Éviter tout contact physique avec des surfaces mises à la terre comme des tuyaux, des radiateurs, des cuisinières et des réfrigérateurs.** *Le risque de choc électrique est plus élevé si votre corps est mis à la terre.*
- c) **Ne pas exposer les outils électriques à la pluie ou à d'autres conditions où il pourrait être mouillé.** *La pénétration de l'eau dans un outil électrique augmente le risque de choc électrique.*
- d) **Ne pas utiliser abusivement le cordon d'alimentation. Ne jamais**

utiliser le cordon pour transporter, tirer ou débrancher un outil électrique. Tenir le cordon éloigné de la chaleur, de l'huile, des bords tranchants ou des pièces mobiles. *Les cordons endommagés ou emmêlés augmentent les risques de choc électrique.*

- e) **Pour l'utilisation d'un outil électrique à l'extérieur, se servir d'une rallonge convenant à une telle utilisation.** *L'utilisation d'une rallonge conçue pour l'extérieur réduit les risques de choc électrique.*
 - f) **S'il est impossible d'éviter l'utilisation d'un outil électrique dans un endroit humide, brancher l'outil dans une prise ou sur un circuit d'alimentation dotés d'un disjoncteur de fuite à la terre (GFCI).** *L'utilisation de ce type de disjoncteur réduit les risques de choc électrique.*
- ### 3) Sécurité personnelle
- a) **Être vigilant, surveiller le travail effectué et faire preuve de jugement lorsqu'un outil électrique est utilisé. Ne pas utiliser d'outil électrique en cas de fatigue ou sous l'influence de drogues, d'alcool ou de médicaments.** *Un simple moment d'inattention en utilisant un outil électrique peut entraîner des blessures corporelles graves.*
 - b) **Utiliser des équipements de protection individuelle. Toujours porter une protection oculaire.** *L'utilisation d'équipements de protection comme un masque antipoussière, des chaussures antidérapantes, un casque de sécurité ou des protecteurs auditifs lorsque la situation le requiert réduira les risques de blessures corporelles.*
 - c) **Empêcher les démarrages intempestifs. S'assurer que l'interrupteur se trouve à la position d'arrêt avant de relier l'outil à une source d'alimentation et/ou d'insérer un bloc-piles, de ramasser ou de transporter l'outil.** *Transporter un outil électrique alors que le doigt repose sur l'interrupteur ou brancher un outil électrique dont l'interrupteur est à la position de marche risque de provoquer un accident.*
 - d) **Retirer toute clé de réglage ou clé standard avant de démarrer l'outil.** *Une clé standard ou une clé de réglage attachée à une partie pivotante peut causer des blessures.*

- e) **Ne pas trop tendre les bras.** Conserver son équilibre en tout temps. Cela permet de mieux maîtriser l'outil électrique dans les situations imprévues.
- f) **S'habiller de manière appropriée.** Ne pas porter de vêtements amples ni de bijoux. Garder les cheveux, les vêtements et les gants à l'écart des pièces mobiles. Les vêtements amples, les bijoux ou les cheveux longs risquent de rester coincés dans les pièces mobiles.
- g) **Si des composants sont fournis pour le raccordement de dispositifs de dépoussiérage et de ramassage, s'assurer que ceux-ci sont bien raccordés et utilisés.** L'utilisation d'un dispositif de dépoussiérage peut réduire les dangers engendrés par les poussières.
- 4) **Utilisation et entretien d'un outil électrique**
- a) **Ne pas forcer un outil électrique.** Utiliser l'outil électrique approprié à l'application. L'outil électrique approprié effectuera un meilleur travail, de façon plus sûre et à la vitesse pour laquelle il a été conçu.
- b) **Ne pas utiliser un outil électrique dont l'interrupteur est défectueux.** Tout outil électrique dont l'interrupteur est défectueux est dangereux et doit être réparé.
- c) **Débrancher la fiche du secteur ou le bloc-piles de l'outil électrique avant de faire tout réglage ou changement d'accessoire, ou avant de ranger l'outil électrique.** Ces mesures préventives réduisent les risques de démarrage accidentel de l'outil électrique.
- d) **Ranger les outils électriques hors de la portée des enfants, et ne permettre à aucune personne n'étant pas familière avec un outil électrique (ou son manuel d'instruction) d'utiliser ce dernier.** Les outils électriques deviennent dangereux entre les mains d'utilisateurs inexpérimentés.
- e) **Entretenir les outils électriques.** Vérifier les pièces mobiles pour s'assurer qu'elles sont bien alignées et tournent librement, qu'elles sont en bon état et ne sont affectées par aucun trouble susceptible de nuire au bon fonctionnement de l'outil électrique. En cas de dommage, faire réparer l'outil électrique avant toute nouvelle utilisation. Beaucoup d'accidents sont causés par des outils électriques mal entretenus.
- f) **S'assurer que les outils de coupe sont aiguisés et propres.** Les outils de coupe bien entretenus et affûtés sont moins susceptibles de se coincer et sont plus faciles à contrôler.
- g) **Utiliser l'outil électrique, les accessoires, les forets, etc. conformément aux présentes directives en tenant compte des conditions de travail et du travail à effectuer.** L'utilisation d'un outil électrique pour toute opération autre que celle pour laquelle il a été conçu est dangereuse.
- 5) **Réparation**
- a) **Faire réparer l'outil électrique par un réparateur professionnel en n'utilisant que des pièces de rechange identiques.** Cela permettra de maintenir une utilisation sécuritaire de l'outil électrique.

CONSIGNES DE RÈGLES DE SÉCURITÉ POUR TOUTES LES SCIES

- ⚠ **DANGER!** Tenez les mains loin de la zone tranchante et de la lame. Tenez votre deuxième main sur la poignée auxiliaire ou sur le boîtier du moteur.
- a) **Si les deux mains tiennent la scie, elles ne peuvent pas être atteintes par la lame.**
- b) **Ne pas passer les mains sous la pièce.** Le dispositif de sécurité ne peut pas vous protéger de la lame sous la pièce.
- c) **Régler la profondeur de coupe à l'épaisseur de la pièce.** On devrait apercevoir une dent de lame incomplète des dents de la lame sous la pièce.
- d) **Ne jamais tenir la pièce dans ses mains ou la placer de travers sur ses jambes pour la couper.** Fixer la pièce à une plateforme stable. Il est important de soutenir la pièce correctement afin de minimiser l'exposition des parties du corps à la lame, de coincer celle-ci ou de perdre la maîtrise de l'outil.
- e) **Tenir l'outil électrique par sa surface de prise isolée dans une situation où l'outil de coupe peut entrer en contact avec un câblage dissimulé ou avec son propre cordon d'alimentation.** Tout contact avec un fil « sous tension » mettra également « sous tension » les pièces métalliques exposées de l'outil et donnera une décharge électrique à l'opérateur.
- f) **En cas de sciage en long, toujours utiliser un guide longitudinal ou à bord droit.** Le guide augmente la précision de la découpe et réduit les chances de grippage de lame.
- g) **Toujours utiliser des lames dont l'alésage est de taille et de forme appropriées (diamant contre circulaire).** Les lames qui ne correspondent pas au matériel

de montage de la scie tourneront de manière excentrée et entraîneront des pertes de maîtrise.

h) Ne jamais utiliser de rondelles ou d'écrous de lame endommagés ou incorrects. Les rondelles et les écrous de lame ont été spécifiquement conçus pour votre scie afin d'en optimiser les performances et la sécurité de fonctionnement.

CAUSES DE L'EFFET DE REBOND ET PRÉVENTION PAR L'OPÉRATEUR

- **L'effet de rebond est une réaction soudaine d'une lame de scie pincée, accrochée ou mal alignée, qui cause un saut vertical d'une scie non contrôlée hors de l'ouvrage et en direction de l'opérateur.**
- **Lorsque la lame est pincée ou accrochée par la fermeture du trait de scie, elle se bloque et la réaction du moteur renvoie rapidement l'unité en arrière et en direction de l'opérateur.**
- **Si la lame est tordue ou mal alignée dans la coupe, les dents situées sur l'arête arrière de la lame peuvent mordre la surface du bois et causer une montée de la lame hors du trait de scie et un bond de celle-ci vers l'opérateur.**

- **Un effet de rebond est le résultat d'une mauvaise utilisation de la scie ou de procédures ou de conditions de fonctionnement incorrectes.** Il peut être évité en prenant les précautions nécessaires telles que décrites ci-dessous :

a) Saisir fermement la scie avec les deux mains et positionner vos bras de sorte à résister aux forces du rebond. Positionner votre corps d'un côté ou l'autre de la lame de la scie et non dans sa trajectoire. Un effet de rebond pourrait provoquer un saut de la scie vers l'arrière. L'opérateur peut maîtriser les forces du rebond avec de telles mesures de précaution.

b) Lorsque la lame se bloque ou lors de l'interruption d'une découpe pour toute raison, relâcher la détente et tenir la scie immobile dans le matériau jusqu'à ce que la lame s'immobilise complètement. Ne jamais essayer de retirer la scie de la pièce ou de tirer la scie vers l'arrière pendant que la lame est en mouvement. Un effet de rebond pourrait se produire. Rechercher et prendre les actions correctives nécessaires pour éliminer les causes du grippage de la lame.

c) Lors du redémarrage d'une scie dans une pièce, centrer la lame dans le trait de scie et vérifier que les dents de scie ne sont pas engagées dans le matériau. Si la lame de la scie est bloquée, elle pourrait se déplacer

ou produire un rebond au redémarrage de la scie.

d) Soutenir les grands panneaux pour minimiser le risque de pincement de lame et d'effet de rebond. Les grands panneaux tendent à s'affaisser sous leur propre poids. Installer des pièces d'appui sous le panneau, des deux côtés, près de la ligne de coupe et du bord du panneau.

e) Ne pas utiliser de lames émoussées ou endommagées. Des lames non aiguisées ou incorrectement placées produisent un trait de scie étroit et entraînent des frottements excessifs, des grippages de lame et des effets de rebonds.

f) Les leviers de blocage de profondeur de lame et d'ajustement de biseau doivent être serrés et solidement fixés avant d'effectuer une coupe. Si le réglage de la lame se décale pendant la découpe, il peut causer un grippage et un effet de rebond.

g) Faire particulièrement attention lors de la réalisation d'une « découpe en plongée » dans des murs existants ou d'autres zones sans visibilité. La lame en saillie est susceptible de couper des objets pouvant causer des effets de rebonds.

DIRECTIVES DE SÉCURITÉ CONCERNANT LE PROTÈGE-LAME INFÉRIEUR

a) Vérifier, avant chaque utilisation, que le protège-lame inférieur se ferme bien. Ne pas utiliser la scie si le protège-lame inférieur ne se déplace pas librement ou ne ferme pas instantanément. Ne jamais fixer ou attacher le protège-lame inférieur en position ouverte. Si la scie tombe accidentellement, le protège-lame inférieur pourrait se plier. Relever le protège-lame inférieur à l'aide de la poignée de rétraction et s'assurer qu'il se déplace librement et ne touche pas la lame ou aucune autre pièce, et ce, à tous les angles et à toutes les profondeurs de coupe.

b) Vérifier le fonctionnement du ressort du protège-lame inférieur. Si le protège-lame et le ressort ne fonctionnent pas correctement, ils doivent être réparés avant utilisation. Le pare-main inférieur peut fonctionner lentement à cause de pièces endommagées, de dépôts collants ou d'accumulation de débris.

c) Le protège-lame inférieur ne doit être rétracté manuellement que pour des découpes spéciales telles « Découpes en plongée » et « Découpes combinées ». Relever le protège-lame inférieur avec la poignée de rétraction et le relâcher immédiatement une fois que la lame a mordu dans la pièce. Pour tout autre type de sciage, le protège-lame inférieur doit fonctionner automatiquement.

d) Toujours vérifier que le protège-lame inférieur recouvre la lame avant de poser la scie sur l'établi ou sur le sol. Une lame non

protégée et continuant de tourner fera déplacer la scie vers l'arrière, coupant ainsi tout ce qui se trouve dans son chemin. Prendre note du temps que prend la lame pour s'arrêter après que la détente soit relâchée.

DIRECTIVES DE SÉCURITÉ SUPPLÉMENTAIRES : SCIES CIRCULAIRES

• **Utiliser des pinces ou tout autre moyen pratique de soutenir et de fixer solidement la pièce sur une plate-forme stable.** Tenir la pièce avec la main ou contre son corps n'est pas suffisamment stable et risque de provoquer une perte de maîtrise de l'outil.

• **Il faut se tenir de l'un ou l'autre côté de la lame de la scie et non dans sans trajectoire.** L'EFFET DE REBOND risque de faire rebondir la scie vers l'arrière (consulter les rubriques « Causes de l'effet de rebond et prévention par l'opérateur » et « EFFET DE REBOND »).

• **Éviter de couper des clous. Inspecter le bois et retirer tous les clous qui s'y trouvent avant d'entamer la découpe.**

• **Toujours s'assurer que rien ne nuit au mouvement du pare-main inférieur.**

• **Le régime nominal (vitesse) des accessoires doit au minimum égaler la vitesse recommandée sur l'étiquette d'avertissement de l'outil.** Les meules et autres accessoires allant plus vite que le régime nominal peuvent être projetés et provoquer des blessures. Le régime nominal des accessoires doit toujours se situer au-dessus de la vitesse de l'outil, tel que l'indique la plaque signalétique de l'outil.

• **Toujours s'assurer que la scie est propre avant de l'utiliser.**

• **Cesser d'utiliser la scie et la faire réparer si un bruit inhabituel ou un fonctionnement anormal se produit.**

• **Toujours être certain que tous les composants sont montés adéquatement et solidement avant d'utiliser l'outil.**

• **Toujours manipuler soigneusement la lame de la scie au moment de la pose ou de la dépose ou lors de l'enlèvement du losange défonçable.**

• **Toujours attendre le plein régime du moteur avant d'amorcer une coupe.**

• **Toujours maintenir les poignées sèches, propres et exemptes d'huile et de graisse.** Tenir fermement l'outil à deux mains au moment de l'utiliser.

• **Toujours être vigilant, surtout durant les opérations répétitives et monotones.** Toujours être certain de la position de ses mains par rapport à la lame.

• **Se tenir à l'écart des extrémités de la pièce, car des morceaux pourraient tomber après la coupe.** Les morceaux peuvent être chauds, tranchants ou lourds. Il peut en résulter des blessures corporelles graves.

• **Remplacer ou réparer les cordons endommagés. S'assurer que la rallonge est en bon état.** Utiliser uniquement une rallonge à 3 fils pourvue d'une fiche de mise à la terre à 3 broches et d'une prise à 3 fentes correspondant à la fiche de l'outil.

• **Pour la sécurité de l'utilisateur, utiliser une rallonge de calibre adéquat (AWG ou American Wire Gauge [calibrage américain normalisé des fils]). Plus le numéro de calibre de fil est petit et plus sa capacité est grande, par exemple un calibre 16 a plus de capacité qu'un calibre 18.** Une rallonge de calibre inférieur causera une chute de tension de ligne et donc une perte de puissance et une surchauffe. Si plus d'une rallonge est utilisée pour obtenir la longueur totale, s'assurer que chaque rallonge présente au moins le calibre de fil minimum. Le tableau suivant indique le calibre approprié à utiliser selon la longueur de la rallonge et l'intensité nominale de la plaque signalétique. En cas de doute, utiliser le calibre suivant le plus gros. Plus le numéro de calibre est petit, plus le cordon est lourd.

⚠ **MISE EN GARDE :** Les lames continuent de fonctionner après l'arrêt de l'outil. Il peut en résulter des blessures corporelles graves.

⚠ **AVERTISSEMENT :** Toujours porter une protection auditive appropriée conformément à la norme ANSI S12.6 (S3.19) lors de l'utilisation du produit. Dans certaines conditions et selon la durée d'utilisation, le bruit émis par ce produit peut contribuer à une perte auditive.

⚠ **AVERTISSEMENT :** Toujours utiliser une protection oculaire adéquate. Tous les utilisateurs et toutes les personnes à proximité doivent porter une protection oculaire conforme à la norme ANSI Z87.1.

⚠ **AVERTISSEMENT :** TOUJOURS PORTER DES LUNETTES DE SÉCURITÉ. Les lunettes de vue ne constituent PAS des lunettes de sécurité. Utiliser également un masque protecteur ou antipoussières si l'opération de coupe génère de la poussière. TOUJOURS porter un équipement de sécurité homologué :

- protection oculaire conforme à la norme ANSI Z87.1 (CAN/CSA Z94.3);
- protection auditive conforme à la norme ANSI S12.6 (S3.19);
- protection des voies respiratoires conforme aux normes NIOSH/OSHA.

⚠ **AVERTISSEMENT :** Certaines poussières produites par les travaux de ponçage, de sciage, de meulage, de perçage et autres contiennent des produits chimiques reconnus par l'État de la Californie pour

causer le cancer, des anomalies congénitales ou d'autres problèmes liés aux fonctions reproductrices. Voici quelques exemples de ces produits chimiques :

• **Le plomb des peintures à base de plomb, la silice cristalline provenant des briques, du ciment et d'autres produits de maçonnerie ainsi que l'arsenic et le chrome issus du bois traité chimiquement.**

Les risques reliés à l'exposition à ces poussières varient selon la fréquence à laquelle l'utilisateur travaille avec ce type de matériau. Pour réduire l'exposition à ces produits chimiques, travailler dans un endroit bien aéré et porter un équipement de sécurité approuvé comme un masque antipoussières conçu spécialement pour filtrer les particules microscopiques.

• **Éviter le contact prolongé avec les poussières produites par les activités de ponçage, sciage, meulage, perçage et autres activités de construction.** Porter des vêtements de protection et laver les parties du corps exposées avec une solution d'eau et de savon. Le fait de laisser la poussière pénétrer dans la bouche et les yeux ou de la laisser reposer sur la peau peut promouvoir l'absorption de produits chimiques nocifs.

⚠ AVERTISSEMENT : L'utilisation de cet outil peut produire ou propulser des poussières qui pourraient causer des problèmes respiratoires graves et permanents ou d'autres problèmes médicaux. Toujours porter un appareil respiratoire approuvé par le NIOSH/OSHA pour se protéger de la poussière. Diriger les particules loin du visage et du corps. Toujours utiliser l'outil dans des endroits bien aérés et veiller à dépoussiérer correctement la zone de travail. Utiliser un système de dépoussiérage lorsque c'est possible.

PROTÉGEZ-VOUS DES EFFETS DE REBOUND

• **LES EFFETS DE REBOUND PEUVENT ÊTRE CAUSÉS** par pincements, torsions, accrochages ou blocages de scie durant une découpe. Si la lame est tordue ou mal alignée dans la coupe, les dents situées sur l'arête postérieure de la lame peuvent creuser dans la surface du bois et causer une escalade de la lame hors du trait de scie et un saut en direction de l'opérateur.

POUR RÉDUIRE LE RISQUE D'EFFET DE REBOUND

- Serrer fermement la scie avec les deux mains en tout temps.
- Rester attentif – conserver la maîtrise de l'outil.

- Soutenir les longs matériaux qui dépassent. Lorsque le matériau est coupé et fragilisé, il s'affaissera et entraînera un pincement de lame.
- Soutenir les grands panneaux comme il est illustré (fig. 1). Les pièces soutenues uniquement aux extrémités (fig. 2) provoqueront un pincement de lame.
- Éviter de scier au-dessus de votre tête. Les matériaux peuvent fléchir et pincer la lame.
- S'assurer que le matériau à découper est serré (figure 3), solidement soutenu et en équilibre sur une surface de travail solide, stable et mise à niveau. Soutenir la pièce de sorte que la plus large partie de la semelle de la scie soit sur la partie de la pièce qui ne tombe pas après réalisation de la coupe. Ne jamais tenir à la main la portion de la pièce qui sera coupée (figure 4)
- Garder les lames aiguisées et propres.
- Utiliser un guide longitudinal ou à règle droite lors de sciage en long. Faire attention, car la bande découpée peut s'affaisser ou se tordre, fermer ainsi le trait de scie, pincer la lame et provoquer un EFFET DE REBOUND.
- Ne pas forcer l'outil. Des paramètres du bois tels que nœuds, dureté, solidité, humidité, bois traité par pression et fraîchement coupé peuvent fortement charger la scie et provoquer un blocage. Pousser la scie plus lentement lorsque cela se produit.
- Ne pas retirer la scie de l'ouvrage pendant une opération de coupe lorsque la lame se déplace.
- Laisser la scie atteindre son plein régime avant de placer la lame en contact avec le matériau à couper. Un démarrage de la scie lorsque la lame est en contact avec la pièce ou dans le trait de coupe peut provoquer des blocages ou un mouvement soudain de la scie vers l'arrière.
- Ne jamais essayer de soulever la scie lors d'une opération de coupe biseautée. Cela provoque le grippage et le blocage de la lame.
- Fixer toujours votre ouvrage pour éviter tout mouvement durant la découpe.
- N'essayer pas de forcer la scie sur sa ligne si la coupe commence à dévier. Cela peut provoquer des EFFETS DE REBOUND. Arrêter la scie et laisser la lame ralentir et s'immobiliser. La retirer du trait de coupe et entamer une nouvelle coupe sur la ligne.
- Régler la profondeur de la scie de telle sorte qu'une seule dent de la lame dépasse de la surface inférieure de l'ouvrage (figure 7).
- Ne pas faire reculer une lame en rotation dans la coupe. Suite à une torsion de la scie, l'arête postérieure de la lame peut mordre dans le matériau, sortir de la pièce et se déplacer rapidement en direction de l'opérateur.
- Éviter de couper des clous. Inspecter le bois et retirer tous les clous qui s'y trouvent avant d'entamer la découpe.

MOTEUR

S'assurer que le bloc d'alimentation est compatible avec l'inscription de la plaque signalétique. Un régime de 120 volts c.a. signifie que votre outil fonctionnera sur une alimentation

domestique standard de 60 Hz. Ne pas faire fonctionner des outils à courant alternatif (c.a.) sur un courant continu (c.c.). Un régime nominal de 120 volts c.a./c.c. signifie que votre outil fonctionnera avec une alimentation standard 60 Hz c.a. ou c.c. Ce renseignement figure sur la plaque signalétique. Une plus faible tension entraînera une baisse de régime, ce qui peut entraîner une surchauffe. Tous les outils BLACK+DECKER sont testés en usine; si cet outil ne fonctionne pas, vérifier le bloc d'alimentation. Cet outil est à courant alternatif seulement.

UTILISATION PRÉVUE

Cette scie circulaire est conçue pour des applications de coupe de bois. Ne pas utiliser d'accessoires à l'eau avec cette scie. Ne pas utiliser de meules ou de lames abrasives. Ne pas utiliser dans des conditions humides ou en présence de liquides ou de gaz inflammables.

CONSERVER CES DIRECTIVES

- En cas d'utilisation d'une rallonge, s'assurer que les valeurs nominales de la rallonge utilisée correspondent bien à celles de l'outil alimenté. L'usage d'une rallonge de calibre insuffisant causera une chute de tension entraînant perte de puissance et surchauffe. Le tableau ci-dessous illustre les calibres à utiliser selon la longueur de rallonge et l'intensité nominale indiquée sur la plaque signalétique. En cas de doutes, utiliser le calibre suivant. Plus le calibre est petit, plus la rallonge peut supporter de courant.

Tension	Calibre minimal des cordons de rallonge			
	Longueur totale du cordon en pieds			
120V	0-25 (0-7,6m)	26-50 (7,6-15,2m)	51-100 (15,2-30,4m)	101-150 (30,4-45,7m)
240V	0-50 (0-15,2m)	51-100 (15,2-30,4m)	101-200 (30,4-60,9m)	201-300 (60,9-91,4m)
Intensité (A)	Calibre moyen des fils (AWG)			
Au moins	Au plus			
0 - 6	18	16	16	14
6 - 10	18	16	14	12
10 - 12	16	16	14	12
12 - 16	14	12	Non recommandé	

L'étiquette apposée sur votre outil peut comprendre les symboles suivants.

- V volts
 mW milliwatts
 nm longueur d'onde en nanomètres
 A ampères
 Hz hertz
 W watts
 min minutes
 ~ ou AC courant alternatif
 = = = ou DC .. courant continu
 n_o sous vide
 ⚡ Construction de classe I (mis à la terre)

- ⏻ borne de mise à la minute
 Ⓜ Construction de classe II
 ⚠ symbole d'avertissement
 .../min tours à la minute
 📖 Lire le mode d'emploi avant l'utilisation
 🧐 Utiliser une protection respiratoire adéquate.
 👁 Utiliser une protection oculaire adéquate.
 🎧 Utiliser une protection auditive adéquate.

APERÇU GÉNÉRAL (FIG. 5)

- Interrupteur marche/arrêt
- Poignée principale
- Poignée secondaire
- Semelle
- Lame de scie
- Protège-lame de scie inférieur
- Levier d'escamotage du protège-lame inférieur
- Clé à écrous pour lame de scie
- Poignée de réglage de biseau
- Rondelle de fixation extérieure
- Boulon de fixation de la lame
- Levier de réglage de profondeur
- Échelle de profondeur
- Échelle à angle de biseau
- Clé hexagonale de la lame de la scie

CONFIGURATION DE L'ASSEMBLAGE ET DES REGLAGES

⚠ AVERTISSEMENT : toujours débrancher la scie de l'alimentation secteur avant chacune des opérations suivantes.

REGLAGE DE LA PROFONDEUR DE COUPE (FIG. 6 ET 7)

La profondeur de la coupe doit être réglée selon l'épaisseur de la pièce.

- Desserrer le levier (12) pour déverrouiller le sabot de la scie.
- Mettre le sabot de la scie (4) dans la position désirée. La profondeur de coupe correspondante peut être lue sur l'échelle (13).
- Serrer le levier pour maintenir le sabot de la scie en place.
- Régler l'ajustement de profondeur de la scie de telle sorte qu'une seule dent de la lame dépasse de la surface inférieure de l'ouvrage tel qu'illustré dans la **figure 7**.

RÉGLAGE DE L'ANGLE DE BISEAU (FIG. 8)

Cet outil peut être réglé sur des angles de biseau entre 0° et 45°.

- Desserrer le bouton de verrouillage (9) pour déverrouiller le sabot de la scie.
- Mettre le sabot de la scie (4) dans la position désirée. L'angle de biseau correspondant peut être lu sur l'échelle (14).
- Serrer le bouton de verrouillage pour maintenir le sabot de la scie en place.

FIXATION DE LA LAME (FIG. 9 ET 10)

- Pour empêcher la rotation de la broche, insérer les saillies de la clé à écrous (8) dans les trous de la rondelle externe (10) comme le montre la figure 9.
- Desserrer et retirer la vis de fixation (11) de la lame en tournant la clé hexagonale (15) dans le sens antihoraire.
- Retirer la rondelle externe.
- Placer la lame de la scie (5) sur l'arbre de la broche en s'assurant que la flèche de la lame pointe dans le même sens que la flèche située sur le protège-lame supérieur de l'outil.
- Enfiler la rondelle extérieure (10) sur la broche, la surface plus large reposant contre la lame.
- Enfiler la vis de fixation (11) de la lame dans le trou de la broche.
- Empêcher la rotation de la broche en insérant la clé à écrous dans les trous de la rondelle externe.
- Serrer solidement la vis de fixation de la lame. Pour ce faire, tenir la clé à écrous en position et tourner la clé hexagonale dans le sens horaire pour serrer la vis de fixation de la lame.

DÉPOSE DE LA LAME

- Pour empêcher la rotation de la broche, insérer les saillies de la clé à écrous (8) dans les trous de la rondelle externe (10).
- Desserrer et enlever la vis de fixation (11) de la lame en la tournant dans le sens antihoraire à l'aide de la clé hexagonale (15).
- Retirer la rondelle externe (10).
- Retirer la lame de scie (5).

⚠ AVERTISSEMENT : pour réduire le risque de blessure personnelle grave, lire, comprendre et suivre tous les avertissements de sécurité importants et toutes les directives avant d'utiliser l'outil.

DÉCOUPES GÉNÉRALES (IMPORTANT : LIRE LES AVERTISSEMENTS ET CONSIGNES DE SÉCURITÉ)

PROTÉGEZ-VOUS DES EFFETS DE REBOND

Sans brancher l'unité, suivre toutes les consignes d'assemblage, de réglage et de configuration.

S'assurer que le pare-main inférieur fonctionne. Sélectionner la lame appropriée au matériau à découper.

- Mesurer et marquer le bois à découper.
- Soutenir et fixer correctement l'ouvrage (voir Règles de sécurité et instructions).
- Utiliser le matériel de sécurité approprié et requis (voir Règles de sécurité).
- Sécuriser et entretenir la zone de travail (voir Règles de sécurité).
- Après avoir inséré la fiche et fermé le pare-main, s'assurer que l'interrupteur fonctionne.

⚠ AVERTISSEMENT : pour éviter toute blessure corporelle, soutenir correctement la pièce et tenir fermement la scie pour empêcher une perte de maîtrise de l'outil. La **Figure 3** illustre la position de main recommandée.

FONCTIONNEMENT

INTERRUPTEUR

- Pour faire fonctionner l'outil, enfoncer la détente (1). L'outil continuera de fonctionner tant que la détente sera enfoncée.
- Pour l'éteindre, relâcher simplement la détente (1). Il n'est pas possible de bloquer l'outil en positionnement de marche, et la détente ne doit jamais être bloquée par aucun moyen.

SCIAGE

⚠ AVERTISSEMENT : pour réduire le risque de blessure, toujours tenir l'outil des deux mains.

- Laisser la lame fonctionner librement quelques secondes avant de commencer la coupe.
- Appuyer légèrement sur l'outil tout en effectuant la coupe.
- Travailler en appuyant le patin sur la pièce.

CONSEILS POUR UNE UTILISATION OPTIMALE

- Comme il est impossible d'éviter des éclats le long de la ligne de coupe sur la partie supérieure de l'ouvrage, couper sur le côté où les éclats sont tolérés.
- Lorsque les éclats doivent être limités, par exemple lors de la coupe de stratifiés, fixer une planche de contreplaqué sur la partie supérieure de l'ouvrage.

DÉCOUPE EN POCHE (FIG.11)

⚠AVERTISSEMENT : Ne jamais fixer le protège-lame en position élevée. Ne jamais déplacer la scie vers l'arrière lors de la coupe en poche, car elle peut alors se soulever de la pièce, ce qui risque de provoquer une blessure.

Une coupe en poche est une coupe effectuée dans un plancher, un mur ou toute autre surface plane.

- Régler la plaque d'assise de la scie de sorte que la lame coupe à la profondeur voulue.
- Incliner la scie vers l'avant et faire reposer la partie avant de la plaque d'assise sur la pièce à couper.
- Au moyen du levier d'escamotage, relever le pare-main inférieur. Abaisser l'arrière de la plaque d'assise jusqu'à ce que les dents de la lame touchent presque le trait de coupe.
- Relâcher le pare-main (son contact avec la pièce permettra de le maintenir en place et de l'ouvrir librement au moment d'amorcer la coupe). Cesser de tenir le levier du pare-main et saisir fermement la poignée auxiliaire (3) comme le montre la figure 11. Se placer le corps et la main de manière à pouvoir résister à tout effet de rebond si cela se produit.
- S'assurer que la lame ne touche pas la surface à couper avant le démarrage de la scie.
- Démarrer le moteur et abaisser lentement la scie jusqu'à ce que la plaque d'assise repose à plat contre la pièce à couper. Avancer la scie le long de la ligne de coupe jusqu'à ce que la coupe soit terminée.
- Relâcher la gâchette et attendre que la lame s'immobilise complètement, puis retirer la lame de la pièce.
- Lors de l'amorce d'une nouvelle coupe, répéter les étapes précédentes.

RANGEMENT DE LA CLÉ (FIG.12)

La clé de lame (8) peut être rangée dans le sabot de la scie comme illustré à la figure 12.

ENTRETIEN

N'utiliser qu'un détergent doux et un chiffon humide pour nettoyer l'outil. Ne jamais laisser de liquide pénétrer dans l'outil et n'immerger aucune partie de l'outil dans un liquide.

IMPORTANT : pour garantir la SÉCURITÉ et la FIABILITÉ du produit, les réparations, l'entretien et le réglage (autre que ceux énumérés dans ce mode d'emploi) doivent être réalisés par un centre de réparation autorisé ou tout autre centre de réparation professionnel, et les des pièces de rechange identiques doivent être utilisées.

LUBRIFICATION

Les outils BLACK+DECKER sont correctement graissés en usine et sont prêts à l'emploi.

ACCESSOIRES

Rip clôtures et autres accessoires sont disponibles à partir de centres de service BLACK+DECKER. Pour trouver l'établissement de réparation de votre région, composer le numéro suivant : **1-800-544-6986** ou consulter le site **www.blackanddecker.com**

Les accessoires recommandés pour être utilisés avec votre outil sont disponibles chez votre détaillant local.

⚠AVERTISSEMENT : l'utilisation de tout accessoire non recommandé avec l'outil pourrait s'avérer dangereuse. N'utiliser que des lames de 184 mm (7 1/4 po) avec un axe de 15 mm (5/8 po) de diamètre.

INFORMATION SUR LES RÉPARATIONS

Tous les centres de réparation BLACK+DECKER sont dotés de personnel qualifié en matière d'outillage électrique; ils sont donc en mesure d'offrir à leur clientèle un service efficace et fiable. Que ce soit pour un avis technique, une réparation ou des pièces de rechange authentiques installées en usine, communiquer avec l'établissement BLACK+DECKER le plus près de chez vous. Pour trouver l'établissement de réparation de votre région, composer le numéro suivant : **1-800-544-6986** ou consulter le site **www.blackanddecker.com**

GARANTIE COMPLÈTE DE DEUX ANS POUR UNE UTILISATION DOMESTIQUE

Black & Decker (É.-U.) Inc. garantit ce produit pour une durée de deux ans contre tout défaut de matériau ou de fabrication. Le produit défectueux sera remplacé ou réparé sans frais de l'une des deux façons suivantes :

La première façon consiste en un simple échange chez le détaillant qui l'a vendu (pourvu qu'il s'agisse d'un détaillant participant). Tout retour doit se faire durant la période correspondant à la politique d'échange du détaillant (habituellement, de 30 à 90 jours après l'achat). Une preuve d'achat peut être requise. Vérifier auprès du détaillant pour connaître sa politique concernant les retours hors de la période définie pour les échanges.

La deuxième option est d'apporter ou d'envoyer le produit (transport payé

d'avance) à un centre de réparation autorisé ou à un centre de réparation de BLACK+DECKER pour faire réparer ou échanger le produit, à notre discrétion. Une preuve d'achat peut être requise. Cette garantie ne s'applique pas aux accessoires. Cette garantie vous accorde des droits légaux spécifiques et vous pourriez avoir d'autres droits qui varient d'un État ou d'une province à l'autre. Pour toute question, communiquer avec le directeur du centre de réparation BLACK+DECKER le plus près de chez vous. Ce produit n'est pas destiné à un usage commercial.

REPLACEMENT GRATUIT DES ÉTIQUETTES D'AVERTISSEMENT : si les étiquettes d'avertissement deviennent illisibles ou sont manquantes, composer le **1-800-544-6986** pour en obtenir le remplacement gratuit.

DÉPANNAGE

Problème

- L'appareil refuse de démarrer.

Cause possible

- Cordon d'alimentation non branché.
- Le fusible du circuit est grillé.
- Le disjoncteur est déclenché.
- Le cordon d'alimentation ou la prise de courant est endommagé(e).

Solution possible

- Brancher l'outil dans une prise qui fonctionne.
- Remplacer le fusible du circuit. (Si le produit fait griller de façon répétée le fusible du circuit, arrêter immédiatement d'utiliser le produit et le faire réparer dans un centre de réparation BLACK+DECKER ou un centre de réparation autorisé.)
- Remettre le disjoncteur à zéro. (Si le produit fait déclencher de façon répétée le disjoncteur, arrêter immédiatement d'utiliser le produit et le faire réparer dans un centre de réparation BLACK+DECKER ou un centre de réparation autorisé.)
- Faire remplacer le cordon ou l'interrupteur au centre de réparation BLACK+DECKER ou à un centre de réparation autorisé.

Pour obtenir de l'aide avec l'outil, consulter notre site Web **www.blackanddecker.com** pour l'emplacement du centre de réparation le plus près ou communiquer avec l'assistance BLACK+DECKER au **1-800-544-6986**.

Imported by / Importé par
Black & Decker Canada Inc.
100 Central Ave.
Brockville (Ontario) K6V 5W6

BLACK+ DECKER™

SIERRAS CIRCULARES DE 184MM (7-1/4”), 15 AMPERIOS

MANUAL DE INSTRUCCIONES

CATÁLOGO N°
CS1015

Gracias por elegir BLACK+DECKER!

Visite www.BlackandDecker.com/NewOwner para registrar su nuevo producto.
LEA EL MANUAL ANTES DE DEVOLVER ESTE PRODUCTO POR CUALQUIER MOTIVO:

Si tiene una consulta o algún inconveniente con su producto BLACK+DECKER, visite <http://www.blackanddecker.com/instantanswers> para obtener respuestas instantáneas las 24 horas del día.

Si no encuentra la respuesta o no tiene acceso a Internet, llame al 1-800-544-6986 de lunes a viernes de 8 a. m. a 5 p. m. hora del Este para hablar con un agente.

Cuando llame, tenga a mano el número de catálogo.

Para comprar un filtro de repuesto llame al 1-888-678-7278.

**CONSERVE ESTE MANUAL PARA FUTURAS CONSULTAS.
SÓLO PARA USO DOMÉSTICO.**

Visite www.BlackandDecker.com/NewOwner
para registrar su nuevo producto.

PAUTAS DE SEGURIDAD/DEFINICIONES

Es importante que lea y comprenda este manual. La información que contiene se relaciona con la protección de SU SEGURIDAD y la PREVENCIÓN DE PROBLEMAS. Los símbolos que siguen se utilizan para ayudarlo a reconocer esta información.

⚠ PELIGRO: indica una situación de peligro inminente que, si no se evita, provocará la muerte o lesiones graves.

⚠ ADVERTENCIA: indica una situación de peligro potencial que, si no se evita, provocará la muerte o lesiones graves.

⚠ PRECAUCIÓN: indica una situación de peligro potencial que, si no se evita, provocará lesiones leves o moderadas.

PRECAUCIÓN: utilizado sin el símbolo de alerta de seguridad indica una situación de peligro potencial que, si no se evita, puede provocar daños en la propiedad.

Advertencias generales de seguridad para herramientas eléctricas

⚠️ ADVERTENCIA: Lea todas las advertencias de seguridad e instrucciones. El incumplimiento de las advertencias e instrucciones puede provocar descargas eléctricas, incendios o lesiones graves.

Conserve todas las advertencias e instrucciones para futuras consultas.

El término “herramienta eléctrica” incluido en las advertencias hace referencia a las herramientas eléctricas operadas con corriente (con cable eléctrico) o a las herramientas eléctricas operadas con baterías (inalámbricas).

1) Seguridad en el área de trabajo

- a) Mantenga el área de trabajo limpia y bien iluminada. *Las áreas abarrotadas y oscuras propician accidentes.*
- b) No opere herramientas eléctricas en atmósferas explosivas, como ambientes donde se encuentran líquidos, gases o polvo inflamables. *Las herramientas eléctricas originan chispas que pueden encender el polvo o los vapores.*
- c) Mantenga a los niños y espectadores alejados de la herramienta eléctrica en funcionamiento. *Las distracciones pueden provocar la pérdida de control.*

2) Seguridad eléctrica

- a) Los enchufes de la herramienta eléctrica deben adaptarse al tomacorriente. Nunca modifique el enchufe de ninguna manera. No utilice ningún enchufe adaptador con herramientas eléctricas con conexión a tierra. *Los enchufes no modificados y que se adaptan a los tomacorrientes reducirán el riesgo de descarga eléctrica.*
- b) Evite el contacto corporal con superficies puestas a tierra, como por ejemplo tuberías, radiadores, rangos y refrigeradores. *Existe mayor riesgo de descarga eléctrica si su cuerpo está puesto a tierra.*
- c) No exponga las herramientas eléctricas a la lluvia o a condiciones de humedad. *Si ingresa agua a una herramienta eléctrica, aumentará el riesgo de descarga eléctrica.*
- d) No maltrate al cable. Nunca utilice el cable para transportar, tirar

o desenchufar la herramienta eléctrica. Mantenga el cable lejos del calor, aceite, bordes afilados o piezas móviles. *Los cables dañados o enredados aumentan el riesgo de descarga eléctrica.*

- e) Al operar una herramienta eléctrica en el exterior, utilice un cable prolongador adecuado para tal uso. *Utilice un cable adecuado para uso en exteriores a fin de reducir el riesgo de descarga eléctrica.*
 - f) Si el uso de una herramienta eléctrica en un lugar húmedo es imposible de evitar, utilice un suministro protegido con un interruptor de circuito por falla a tierra (GFCI). *El uso de un GFCI reduce el riesgo de descargas eléctricas.*
- #### 3) Seguridad personal
- a) Permanezca alerta, controle lo que está haciendo y utilice el sentido común cuando emplee una herramienta eléctrica. *No utilice una herramienta eléctrica si está cansado o bajo el efecto de drogas, alcohol o medicamentos. Un momento de descuido mientras se opera una herramienta eléctrica puede provocar lesiones personales graves.*
 - b) Utilice equipos de protección personal. Siempre utilice protección para los ojos. *En las condiciones adecuadas, el uso de equipos de protección, como máscaras para polvo, calzado de seguridad antideslizante, cascos o protección auditiva, reducirá las lesiones personales.*
 - c) Evite el encendido por accidente. Asegúrese de que el interruptor esté en la posición de apagado antes de conectarlo a la fuente de energía o paquete de baterías, o antes de levantar o transportar la herramienta. *Transportar herramientas eléctricas con el dedo apoyado en el interruptor o enchufar herramientas eléctricas con el interruptor en la posición de encendido puede propiciar accidentes.*
 - d) Retire las clavijas de ajuste o llaves de tuercas antes de encender la herramienta eléctrica. *Una llave de tuercas o una clavija de ajuste que se deje conectada a una pieza giratoria de la herramienta eléctrica pueden provocar lesiones personales.*
 - e) No se estire. Conserve el equilibrio adecuado y manténgase parado correctamente en todo momento. *Esto permite un mejor control de la*

herramienta eléctrica en situaciones inesperadas.

- f) **Use la vestimenta adecuada. No use ropas holgadas ni joyas. Mantenga el cabello, la ropa y los guantes alejados de las piezas en movimiento.** *Las ropas holgadas, las joyas o el cabello largo pueden quedar atrapados en las piezas en movimiento.*
- g) **Si se suministran dispositivos para la conexión de accesorios con fines de recolección y extracción de polvo, asegúrese de que estén conectados y que se utilicen correctamente.** *El uso de dispositivos de recolección de polvo puede reducir los peligros relacionados con el polvo.*

4) Uso y mantenimiento de la herramienta eléctrica

- a) **No fuerce la herramienta eléctrica. Utilice la herramienta eléctrica correcta para el trabajo que realizará.** *La herramienta eléctrica correcta hará el trabajo mejor y más seguro a la velocidad para la que fue diseñada.*
- b) **No utilice la herramienta eléctrica si no puede encenderla o apagarla con el interruptor.** *Toda herramienta eléctrica que no puede ser controlada mediante el interruptor es peligrosa y debe ser reparada.*
- c) **Desconecte el enchufe de la fuente de energía y/o el paquete de baterías de la herramienta eléctrica antes de realizar ajustes, cambiar accesorios o almacenar herramientas eléctricas.** *Estas medidas de seguridad preventivas reducen el riesgo de encender la herramienta eléctrica en forma accidental.*
- d) **Guarde las herramientas eléctricas que no están en uso fuera del alcance de los niños y no permite que otras personas no familiarizadas con ella o con estas instrucciones operen la herramienta.** *Las herramientas eléctricas son peligrosas en las manos de usuarios no entrenados.*
- e) **Mantenimiento de las herramientas eléctricas.** *Controle que no haya piezas móviles mal alineadas o trabadas, piezas rotas y toda otra situación que pueda afectar el funcionamiento de las herramientas eléctricas. Si encuentra daños, haga reparar la herramienta eléctrica antes de utilizarla. Se producen muchos accidentes a causa de las herramientas eléctricas que carecen de un mantenimiento adecuado.*

- f) **Mantenga las herramientas de corte afiladas y limpias.** *Las herramientas de corte con mantenimiento adecuado, con los bordes de corte afilados son menos propensas a trabarse y son más fáciles de controlar.*
- g) **Utilice la herramienta eléctrica, los accesorios y las brocas de la herramienta, etc. de acuerdo con estas instrucciones y teniendo en cuenta las condiciones de trabajo y el trabajo que debe realizarse.** *El uso de la herramienta eléctrica para operaciones diferentes de aquéllas para las que fue diseñada podría originar una situación peligrosa.*

5) Mantenimiento

- a) **Haga que una persona de reparaciones calificada realice el mantenimiento de su herramienta eléctrica y utilice piezas de repuesto idénticas solamente.** *Esto garantizará la seguridad de la herramienta eléctrica.*

INSTRUCCIONES DE SEGURIDAD PARA TODAS LAS SIERRAS

- ⚠ **PELIGRO!** : Mantenga las manos lejos del área de corte y de la hoja. Mantenga la otra mano sobre el mango auxiliar o la carcasa del motor. Si se sostiene la sierra con ambas manos, no hay riesgo de que la hoja las corte.
- a) **No introduzca ninguna parte del cuerpo debajo de la pieza de trabajo.** El protector no puede protegerle de la hoja por debajo de la pieza de trabajo.
- b) **Ajuste la profundidad de corte al espesor de la pieza de trabajo.** Menos de un diente completo de los dientes de la hoja debe quedar visible debajo de la pieza de trabajo.
- c) **Nunca sostenga la pieza que está cortando en sus manos o sobre su pierna. Asegure la pieza de trabajo a una plataforma estable.** Es importante sostener el trabajo correctamente para minimizar la exposición del cuerpo, el atascamiento de la hoja y la pérdida del control.
- d) **Sostenga la herramienta eléctrica por las superficies de agarre aisladas cuando realice una operación en la que la herramienta de corte pueda tocar cables eléctricos ocultos o su propio cable.** El contacto con un cable con corriente eléctrica también hará que las partes metálicas expuestas de la herramienta eléctrica tengan corriente y que el operador sufra una descarga eléctrica.
- e) **Cuando realiza cortes longitudinales, siempre utilice una guía para corte longitudinal (a favor de la veta) o una guía para bordes rectos.** Esto mejora la precisión del

corte y reduce la posibilidad de que la hoja se atasque.

- f) **Siempre utilice hojas con orificios para el eje del tamaño y la forma correctas (romboidal versus circular).** Las hojas que no coinciden con las piezas de montaje de la sierra funcionarán de forma excéntrica y provocarán pérdida del control.
- g) **Nunca utilice arandelas o pernos para hojas dañados o incorrectos.** Las arandelas y pernos para hoja se diseñaron especialmente para su sierra, para brindar óptimo rendimiento y seguridad durante el uso.

CAUSAS DEL RETROCESO Y SU PREVENCIÓN POR PARTE DEL OPERADOR

- El retroceso es una reacción repentina la hoja de la sierra a un pellizco, atascamiento o desalineación, que causa que la sierra sin control se levante y salga de la pieza de trabajo hacia el operador.
- Cuando el cierre del corte pellizca o atasca la hoja de manera ceñida, ésta se detiene y la reacción del motor impulsa la unidad hacia atrás con rapidez, hacia el operador.
- Si la hoja se tuerce o se desalinea en el corte, los dientes del borde posterior de la hoja pueden clavarse en la superficie de la madera, provocando que la hoja se salga del corte y retroceda de un salto hacia el operador.

El retroceso es el resultado de un mal uso de la sierra y/o de procedimientos o condiciones de funcionamiento incorrectos y se puede evitar tomando las precauciones apropiadas que se indican a continuación:

- a) **Sujete la sierra firmemente con ambas manos y ubique sus brazos para que resistan las fuerzas de retroceso.** Ubique su cuerpo a un lado u otro de la hoja, pero no en línea con ésta. El retroceso podría causar que la sierra salte hacia atrás, pero el operador puede controlar las fuerzas de retroceso, si se toman las debidas precauciones.
- b) **Cuando se está atascando la hoja o cuando se interrumpe un corte por alguna razón, suelte el gatillo y mantenga la sierra quieta en el material hasta que la hoja se detenga completamente.** Nunca intente retirar la sierra del trabajo o tirar de ella hacia atrás mientras la hoja esté en movimiento, o se producirá un retroceso. Investigue y tome las medidas correctivas para eliminar la causa del atascamiento de la hoja.
- c) **Cuando reinicie una sierra en el trabajo, centre la hoja de la sierra en el corte y verifique que los dientes de la misma no estén tocando el material.** Si la hoja está atascada, cuando se vuelve a arrancar la herramienta, la misma puede saltarse del

trabajo o producir un retroceso.

- d) **Apoye los paneles grandes para minimizar el riesgo de que la hoja se pellizque y se produzca el retroceso. Los paneles grandes tienden a combarse por su propio peso.** Se deben colocar soportes bajo el panel, a ambos lados, cerca de la línea de corte y cerca del borde del panel.
- e) **No utilice hojas sin filo o dañadas. Las hojas sin filo o mal trabadas producen cortes estrechos que provocan una fricción excesiva, atascamiento de la hoja y retroceso.**
- f) **Se deben apretar y asegurar las palancas de bloqueo de la regulación de profundidad y bisel de la hoja antes de comenzar a cortar.** Si la regulación de la hoja cambia mientras se está cortando, puede producirse atascamiento y retroceso.
- g) **Sea muy cuidadoso al realizar un "corte por penetración" en paredes existentes u otras zonas ciegas.** La hoja que sobresale puede cortar objetos que provoquen un retroceso.

INSTRUCCIONES DE SEGURIDAD PARA EL PROTECTOR INFERIOR

- a) **Verifique que el protector inferior cierre correctamente antes de cada uso. No opere la sierra si el protector inferior no se mueve libremente o no se cierra instantáneamente.** Nunca ate o asegure el protector inferior en la posición de abierto. Si la sierra se cae accidentalmente, el protector inferior se puede doblar. Levante el protector inferior con la agarradera retráctil y asegúrese de que se mueve libremente y de que no toca la hoja ni ninguna otra pieza, en todos los ángulos y profundidades de corte.
- b) **Verifique el funcionamiento y el estado del resorte del protector inferior. Si el protector y el resorte no funcionan correctamente, se les debe realizar mantenimiento antes de utilizar la herramienta.** El protector inferior puede funcionar con lentitud debido a piezas dañadas, depósitos gomosos o la acumulación de restos.
- c) **El protector inferior debe retraerse manualmente únicamente para cortes especiales como los "cortes por penetración" y los "cortes compuestos".** Levante el protector inferior por el mango retráctil y suéltelo en cuanto la hoja entre en el material. Para todo los demás tipos de aserrado, el protector inferior debe funcionar automáticamente.
- d) **Observe siempre que el protector inferior cubra la hoja antes de colocar la sierra sobre el banco o el piso.** Una hoja sin protección, que conserva su movimiento por inercia, puede provocar

que la sierra se deslice, cortando todo lo que encuentre a su paso. Conozca el tiempo requerido para que la hoja se detenga después de soltar el interruptor.

INSTRUCCIONES ADICIONALES DE SEGURIDAD

- **Utilice abrazaderas u otra forma práctica para asegurar y apoyar la pieza de trabajo en una plataforma estable.** Sostener la pieza de trabajo con la mano o contra su cuerpo provoca inestabilidad y puede llevar a la pérdida del control.
- **Mantenga el cuerpo a un lado de la hoja de la sierra, nunca en línea con la misma.** El RETROCESO podría despedir la sierra hacia atrás (vea Causas del retroceso y prevención por parte del operador y RETROCESO).
- **Evite cortar clavos. Inspeccione si hay clavos.** Retire todos los clavos de la madera antes de cortar.
- **Siempre asegúrese de que nada interfiera con el movimiento del protector inferior de la hoja.**
- **Los accesorios deben estar clasificados para la velocidad recomendada en la etiqueta de advertencia de la herramienta, como mínimo.** Los discos y otros accesorios que funcionen por encima de su velocidad nominal pueden desarmarse y provocar lesiones. Las clasificaciones de los accesorios siempre deben ser superiores a la velocidad de la herramienta que aparece en la placa de identificación de la misma.
- **Siempre asegúrese de que la sierra esté limpia antes de utilizarla.**
- **Si se produce un ruido inusual o un funcionamiento anormal, suspenda el uso de esta sierra y haga que la revisen debidamente.**
- **Siempre asegúrese de que todos los componentes estén montados correctamente y firmemente antes de utilizar la herramienta.**
- **Siempre manipule la hoja de la sierra con cuidado al montarla o retirarla, o al retirar el extractor de diamante.**
- **Siempre espere hasta que el motor haya alcanzado la velocidad máxima antes de iniciar un corte.**
- **Siempre mantenga los mangos secos, limpios y libres de aceite y grasa.** Sostenga la herramienta firmemente con ambas manos cuando esté en uso.
- **Siempre esté alerta en todo momento, especialmente durante operaciones repetitivas y monótonas.** Siempre asegúrese de la posición de sus manos con respecto a la hoja.
- **Manténgase alejado de los pedazos de los extremos que pueden caer después**

de cortarlos. Estos pueden estar calientes, filosos y/o ser pesados. Pueden producirse graves lesiones personales.

- **Reemplace o repare los cables dañados. Asegúrese de que el cable prolongador esté en buenas condiciones.** Utilice solamente cables prolongadores de 3 conductores que tengan enchufes a tierra de 3 patas y receptáculos tripolares que se adapten al enchufe de la herramienta.
- **Para garantizar la seguridad, un cable prolongador debe tener un tamaño de cable adecuado (AWG o Calibre de conductor de Estados Unidos). Cuanto más pequeño sea el número de calibre del conductor, mayor será la capacidad del cable; es decir, un calibre 16 tiene más capacidad que un calibre 18. Un cable de menor capacidad provocará una disminución en el voltaje de la línea, lo cual producirá una pérdida de potencia y sobrecalentamiento.** Cuando se utiliza más de una prolongación para lograr la longitud total, asegúrese de que cada prolongación tenga la medida mínima del conductor. La tabla siguiente muestra la capacidad correcta que debe utilizarse según la longitud del cable y el amperaje indicado en la placa de identificación. En caso de duda, utilice el calibre inmediatamente superior. Cuanto menor sea el número de calibre, más grueso será el cable.

⚠ATENCIÓN : Después de apagar la herramienta las hojas continúan moviéndose durante unos momentos. Pueden producirse graves lesiones personales.

⚠ADVERTENCIA: Durante el uso, siempre utilice protección individual para los oídos adecuada que cumpla con la norma ANSI S12.6 (S3.19). Bajo ciertas circunstancias y según el período de uso, el ruido producido por este producto puede contribuir a la pérdida de audición.

⚠ADVERTENCIA: Utilice siempre protección adecuada para los ojos. Todos los usuarios y las personas a su alrededor deben usar protección adecuada para los ojos que cumpla con la norma ANSI Z87.1.

⚠ADVERTENCIA: SIEMPRE USE LENTES DE SEGURIDAD. Los anteojos de uso diario NO son anteojos de seguridad. Utilice también caretas o máscaras contra el polvo si la operación de corte produce polvo. SIEMPRE utilice equipos de seguridad certificados:

- Protección para los ojos conforme a la norma ANSI Z87.1 (CAN/CSA Z94.3).
- Protección para los oídos conforme a la norma ANSI S12.6 (S3.19).
- Protección para las vías respiratorias conforme a las normas NIOSH/OSHA.

⚠ADVERTENCIA: Algunas partículas originadas al lijar, aserrar, amolar, taladrar y realizar otras actividades de construcción contienen productos químicos reconocidos en el Estado de California como causantes de cáncer, defectos de nacimiento u otros problemas reproductivos. Algunos ejemplos de estas sustancias químicas son:

- El plomo de las pinturas con base de plomo, la sílice cristalina de los ladrillos, el cemento y otros productos para mampostería, y el arsénico y el cromo de la madera con tratamiento químico (CCA).

El riesgo derivado de estas exposiciones varía según la frecuencia con la que se realice este tipo de trabajo. Para reducir la exposición a estos productos químicos, se recomienda trabajar en áreas bien ventiladas y usar equipos de seguridad aprobados, como las máscaras para polvo especialmente diseñadas para filtrar las partículas microscópicas.

- Evite el contacto durante tiempo prolongado con las partículas de polvo originadas al lijar, aserrar, esmerilar, taladrar y otras actividades de la construcción. Utilice indumentaria protectora y lave las áreas expuestas con agua y jabón. Evite que el polvo entre en la boca y en los ojos o se deposite en la piel, para impedir la absorción de productos químicos nocivos.

⚠ADVERTENCIA: El uso de esta herramienta puede generar o dispersar partículas de polvo capaces de ocasionar lesiones respiratorias permanentes y graves u otras lesiones. Para la exposición al polvo, siempre utilice protección respiratoria aprobada por NIOSH/OSHA. Aleje la cara y el cuerpo del contacto con las partículas. Siempre opere la herramienta en áreas con buena ventilación y procure eliminar el polvo adecuadamente. Utilice un sistema de recolección de polvo, donde sea posible.

PARA REDUCIR EL RIESGO DE RETROCESO

- Mantenga un agarre firme con ambas manos sobre la sierra, en todo momento.
- Manténgase alerta y en control.
- Apoye los materiales largos que sobresalgan. A medida que se corta el material, el mismo se debilita y se comba, y pellizca la hoja.
- Apoye los paneles grandes como se muestra (Fig. 1). El material que solo se apoya en los extremos (Fig. 2) provocará pellizcos de la hoja.
- Evite cortar en el aire. El material se combará y pellizcará la hoja.

- Asegúrese de que el material que se va a cortar esté sujeto con abrazaderas (Figura 3), sostenido sólidamente y equilibrado sobre una superficie de trabajo fuerte, estable y nivelada. Apoye el trabajo para que la sección más ancha de la zapata de la sierra esté sobre la sección del material que no caerá cuando se haga el corte. Nunca sostenga la pieza a cortar con la mano (Figura 4).
- Mantenga las hojas afiladas y limpias.
- Cuando realice cortes longitudinales (a favor de la veta) utilice una guía para corte longitudinal o para borde recto. Tenga cuidado, ya que la tira que corta puede combarse o torcerse, cerrando el corte y pellizcando la hoja, lo que provoca RETROCESO.
- No fuerce la herramienta. Las variables de la madera, como los nudos, la dureza, la resistencia y la humedad, y las maderas tratadas con presión o sin estacionar pueden sobrecargar la sierra, lo que puede provocar atascamiento. Cuando esto ocurre, empuje la sierra más lentamente.
- No retire la sierra del trabajo durante un corte mientras la hoja se mueva.
- Permita que la sierra alcance la velocidad máxima antes de poner la hoja en contacto con el material a cortar. Encender la sierra cuando la hoja está contra el trabajo o encajada en el corte puede provocar atascamiento o un movimiento repentino hacia atrás de la herramienta.
- Nunca intente retirar la sierra mientras realiza un corte en bisel. Esto provocará que la hoja se trabe y se atasque.
- Siempre asegure el trabajo para evitar que la pieza se mueva mientras corta.
- No trate de forzar la sierra hacia atrás por la línea de corte si esta comienza a desviarse. Esto puede provocar RETROCESO. Detenga la sierra y permita que la hoja continúe girando hasta detenerse. Retírela del corte e inicie un nuevo corte sobre la línea.
- Regule la profundidad de la sierra de manera que solo un diente de la hoja sobresalga bajo el trabajo, como se muestra en (Figura 7).
- No haga retroceder una hoja en movimiento en el corte. Torcer la sierra puede provocar que el borde posterior de la hoja se encaje en el material, salte del trabajo y retroceda hacia el operador.
- Evite cortar clavos. Inspeccione si hay clavos. Retire todos los clavos de la madera antes de cortar.

MOTOR

Asegúrese de que la fuente de energía concuerde con lo marcado en la placa de identificación. CA 120 voltios significa que su herramienta funcionará con la energía doméstica estándar de 60 Hz. No haga funcionar herramientas de CA con CC. Una clasificación de CA/CC de 120 voltios

significa que su herramienta funcionará con energía estándar de CA o CC de 60 Hz. Esta información está impresa en la placa de identificación. Un voltaje menor producirá pérdida de potencia y puede provocar sobrecalentamiento. Todas las herramientas BLACK+DECKER se prueban en fábrica. Si esta herramienta no funciona, revise el suministro eléctrico. Esta herramienta es solo para CA.

USO PREVISTO

Esta sierra circular está diseñada para aplicaciones de corte de madera. No utilice accesorios de alimentación de agua con esta sierra. No utilice hojas ni discos abrasivos. No la utilice en condiciones de humedad o en presencia de gases o líquidos inflamables.

CONSERVE ESTAS INSTRUCCIONES

- Cuando use un alargador, asegúrese de usar uno de un calibre suficiente como para cargar con la corriente que requerirá su producto. Un alargador de menor calibre causará una caída en el voltaje de la línea lo que resultará en pérdida de potencia y sobrecalentamiento. El siguiente cuadro muestra el tamaño correcto a utilizar, dependiendo del largo del cable y el amperaje nominal. En caso de duda, utilice el de mayor calibre. Mientras menor el número del calibre, mayor la capacidad del cable.

Calibre mínimo para cables de extensión				
Volts pies		Longitud total del cable en		
120V	0-25 (0-7,6m)	26-50 (7,6-15,2m)	51-100 (15,2-30,4m)	101-150 (30,4-45,7m)
240V	0-50 (0-15,2m)	51-100 (15,2-30,4m)	101-200 (30,4-60,9m)	201-300 (60,9-91,4m)
Amperaje				
Más de	No más de	American Wire Gage		
0 - 6	18	16	16	14
6 - 10	18	16	14	12
10 - 12	16	16	14	12
12 - 16	14	12	No se recomienda	

La etiqueta de su herramienta puede incluir los siguientes símbolos.

- V voltios
- mW milivatios
- nm longitud de ondas en nanómetros
- A amperios
- Hz hertz
- W vatios
- min minutos

- ~ o AC corriente alterna
- == DC corriente directa
- no no velocidad sin carga
- Ⓢ Construcción Clase I (mis à la terre)
- ⊕ terminal a tierra
- Ⓜ Construcción de clase II
- ⚠ simbolo de alerta
- .../min revoluciones o minuto seguridad
- 📖 Lea el manual de instrucciones antes del uso
- 👃 Use protección adecuada para las vías respiratorias
- 👁 Use protección adecuada para los ojos
- 👂 Use protección adecuada para los oídos

DESCRIPCIÓN GENERAL (FIG. 5)

1. Interruptor de encendido/apagado
2. Mango principal
3. Mango secundario
4. Zapata
5. Hoja de la sierra
6. Protector inferior de la hoja de la sierra
7. Palanca retráctil del protector inferior
8. Llave de tuercas para hoja de sierra
9. Perilla de regulación de bisel
10. Arandela exterior de la abrazadera de la hoja
11. Perno de retención de la hoja
12. Palanca de ajuste de profundidad
13. Escala de profundidad
14. Escala del ángulo de bisel
15. Llave hexagonal para hoja de la sierra

ENSAMBLADO/AJUSTE

⚠ ADVERTENCIA: Desconecte siempre la sierra de la fuente de energía antes de realizar cualquiera de las siguientes operaciones.

AJUSTE DE LA PROFUNDIDAD DE CORTE (FIG. 6 Y 7)

- La profundidad de corte debe fijarse en función del grosor de la pieza de trabajo.
- Afloje la palanca (12) para desbloquear la zapata de la sierra.
 - Mueva la zapata de la sierra (4) hasta la posición deseada. La profundidad de corte correspondiente puede leerse en la escala (13).
 - Apriete la palanca para bloquear la zapata de la sierra en el lugar.
 - Regule la profundidad de la sierra de manera que sólo un diente de la hoja

sobresalga bajo el trabajo, como se muestra en la **figura 7**.

AJUSTE DEL ÁNGULO DE BISELADO (FIG. 8)

Esta herramienta puede fijarse para biselar ángulos entre 0° y 45°.

- Afloje la perilla de bloqueo (9) para desbloquear la zapata de la sierra.
- Mueva la zapata de la sierra (4) hasta la posición deseada. El ángulo de biselado correspondiente puede leerse de la escala (14).
- Apriete la perilla para bloquear la zapata de la sierra en su lugar.

COLOCACIÓN DE LA HOJA (FIGS. 9 Y 10)

- Para evitar la rotación del eje, trabe las protuberancias de la llave de tuercas (8) en los orificios de la arandela exterior (10), como se muestra en la Figura 9.
- Gire la llave hexagonal (15) en sentido contrario a las agujas del reloj para aflojar y retirar el tornillo de fijación de la hoja (11).
- Retire la arandela exterior.
- Coloque la hoja de la sierra (5), sobre el eje (16), asegurándose de que la flecha de la hoja apunte en la misma dirección que la flecha del protector superior de la herramienta.
- Calce la arandela exterior (10) en el eje, con la superficie plana más grande contra la hoja.
- Inserte el tornillo de retención de la hoja (11) en el orificio del eje.
- Trabe la llave de tuercas en los orificios de la arandela exterior para evitar la rotación del eje.
- Asegure bien el tornillo de retención de la hoja. Para ello, sostenga la llave de tuercas y gire la llave hexagonal en el sentido de las agujas del reloj.

EXTRACCIÓN DE LA HOJA

- Para evitar la rotación del eje, trabe las protuberancias de la llave de tuercas (8) en los orificios de la arandela exterior (10).
- Afloje y retire el tornillo de retención de la hoja (11), girándolo en sentido contrario a las agujas del reloj con la llave hexagonal (15).
- Retire la arandela exterior (10).
- Retire la hoja de la sierra (5).

⚠ ADVERTENCIA: Para reducir el riesgo de lesiones personales graves, lea, comprenda y siga todas las advertencias de seguridad y las instrucciones antes de usar la

herramienta.

CORTES GENERALES (IMPORTANTE: LEA LAS INSTRUCCIONES Y LAS ADVERTENCIAS DE SEGURIDAD.)

PREVÉNGASE DE RETROCESOS

Con la unidad desenchufada, siga todas las instrucciones de montaje, regulación e instalación.

Asegúrese de que el protector inferior funciona. Seleccione la hoja correcta para el material a cortar.

- Mida y marque el trabajo para cortarlo.
- Sostenga y asegure correctamente el trabajo (consulte las Instrucciones y las Normas de seguridad).

- Utilice los equipos de seguridad apropiados y requeridos (consulte las Normas de seguridad).

- Afirme y sostenga el área de trabajo (consulte las Normas de seguridad).
- Mientras el enchufe está colocado y el protector está cerrado, asegúrese de que el interruptor encienda y apague la sierra.

⚠ ADVERTENCIA: Es importante apoyar bien la pieza sobre la que se trabaja y sostener la sierra firmemente para evitar la pérdida de control, que podría provocar lesiones personales. La **Figura 3** ilustra la postura recomendada para la mano.

FUNCIONAMIENTO

INTERRUPTOR

- Para usar la herramienta, presione el interruptor disparador (1). La unidad funcionará el tiempo que se mantenga oprimido el disparador.
- Para apagar la herramienta, suelte el interruptor disparador (1). No se previó un dispositivo para mantener la herramienta en marcha constante, y nunca se debe trabar el interruptor por ningún medio.

ASERRADO

⚠ ADVERTENCIA: Para reducir el riesgo de lesiones personales graves, siempre sostenga la herramienta con ambas manos.

- Deje que la hoja se mueva libremente algunos segundos antes de empezar a cortar.
- Aplique sólo presión ligera a la herramienta mientras realiza el corte.
- Trabaje con la zapata presionada contra la pieza de trabajo.

CONSEJOS PARA UN USO ÓPTIMO

- Dado que es imposible que no se formen astillas a lo largo de la línea de corte en la parte superior de la pieza de trabajo, corte en el lado donde es aceptable que haya astillas.
- En los casos donde la formación de

astillas debe minimizarse, como en el corte de laminados, sujete una pieza de madera contrachapada sobre la parte superior de la pieza de trabajo.

CORTE INTERNO (FIG.11)

⚠ADVERTENCIA: Nunca ate el protector de la hoja en una posición elevada. Nunca mueva la sierra hacia atrás cuando realice cortes internos. Esto puede ocasionar que la unidad se eleve de la superficie de trabajo y se produzcan lesiones.

Los cortes internos son los que se realizan en pisos, paredes u otras superficies planas.

- Ajuste la placa base de la sierra para que la hoja corte a la profundidad deseada.
- Incline la sierra hacia adelante y apoye el frente de la placa base sobre el material que va a cortar.
- Utilizando la palanca retráctil, retraiga el protector inferior de la hoja a una posición vertical. Baje la parte posterior de la placa base hasta que los dientes de la hoja apenas toquen la línea de corte.
- Suelte el protector de la hoja (el contacto de éste con la pieza de trabajo lo mantendrá en su lugar para que se abra libremente cuando comience a realizar el corte). Quite la mano de la palanca del protector y sujete firmemente el mango auxiliar (3), como se muestra en la Figura 11. Ubique su cuerpo y el brazo de modo que pueda resistir el retroceso de la hoja, en caso de que ocurriese.
- Antes de encender la sierra, asegúrese de que la hoja no esté en contacto con la superficie de corte.
- Arranque el motor y baje gradualmente la sierra hasta que la placa base se apoye completamente sobre el material que desea cortar. Avance la sierra a lo largo de la línea de corte hasta completar el mismo.
- Suelte el gatillo y deje que la sierra se detenga por completo antes de retirar la hoja del material.
- Cada vez que comience un nuevo corte, repita lo anterior.

ALMACENAMIENTO DE LA LLAVE (FIG.12)

La llave de la hoja (8) se puede almacenar en la zapata de la sierra como se muestra en la **figura 12**.

MANTENIMIENTO

Para limpiar la herramienta, sólo utilice jabón suave y un paño húmedo. Nunca permita que penetre líquido dentro de la herramienta ni sumerja ninguna de las piezas en un líquido.

IMPORTANTE: Para garantizar la **SEGURIDAD** y la **CONFIABILIDAD** del producto, las reparaciones, el mantenimiento y los ajustes (los que

no estén enumerados en este manual) deben ser realizados por los centros de mantenimiento autorizados u otras organizaciones de mantenimiento calificadas, y siempre deben utilizarse piezas de repuesto idénticas.

LUBRICACIÓN

Las herramientas BLACK+DECKER son lubricadas apropiadamente en fábrica y están listas para usar.

ACCESORIOS

Rip vallas y otros accesorios están disponibles en BLACK+DECKER Centros de Servicio. Para ubicar su centro de servicio local, llame al **(55)5326-7100** o visite nuestro sitio **www.blackanddecker.com**.

Los accesorios que se recomiendan para utilizar con su herramienta están disponibles en su comercio minorista local.

⚠ADVERTENCIA: El uso de accesorios no recomendados para utilizar con esta herramienta puede resultar peligroso. Utilice únicamente hojas de 184 mm (7 1/4") con orificio para portaherramienta de 15,9 mm (5/8").

INFORMACIÓN DE MANTENIMIENTO

Todos los Centros de mantenimiento de BLACK+DECKER cuentan con personal altamente capacitado dispuesto a brindar a todos los clientes un servicio eficiente y confiable en la reparación de herramientas eléctricas. Si necesita consejo técnico, reparaciones o piezas de repuesto originales de fábrica, póngase en contacto con el centro de mantenimiento de BLACK+DECKER más cercano a su domicilio. Para ubicar su centro de servicio local, llame al **(55)5326-7100** o visite nuestro sitio **www.blackanddecker.com**.

GARANTÍA COMPLETA DE DOS AÑOS PARA USO EN EL HOGAR

Black & Decker (Estados Unidos) Inc. ofrece una garantía de dos años por cualquier defecto del material o de fabricación de este producto. El producto defectuoso se reparará o reemplazará sin costo alguno de dos maneras.

La primera opción, el reemplazo, es devolver el producto al comercio donde se lo adquirió (siempre y cuando se trate de un comercio participante). Las devoluciones deben realizarse conforme a la política de devolución del comercio (generalmente, entre 30 y 90 días posteriores a la venta). Le pueden solicitar comprobante de compra. Consulte en el comercio acerca de la política especial sobre devoluciones una vez excedido el plazo establecido.

La segunda opción es llevar o enviar el

producto (con flete pago) a un Centro de mantenimiento propio o autorizado de BLACK+DECKER para su reparación o reemplazo según nuestro criterio. Le pueden solicitar el comprobante de compra.

Esta garantía no se extiende a los accesorios. Esta garantía le concede derechos legales específicos; usted puede tener otros derechos que pueden variar según el estado o la provincia. Si tiene alguna pregunta, comuníquese con el gerente del Centro de mantenimiento de BLACK+DECKER de su zona. Este producto no está diseñado para uso comercial.

REEMPLAZO GRATUITO DE LAS ETIQUETAS DE ADVERTENCIAS: si sus etiquetas de advertencia se tornan ilegibles

o faltan, llame al **(55)5326-7100** para que se le reemplacen gratuitamente.

DETECCIÓN DE PROBLEMAS

Problema	Causa posible	Solución posible
•La unidad no enciende.	<ul style="list-style-type: none">• Cable desenchufado.• Fusible quemado.• El interruptor automático está activado.• Interruptor o cable dañado.	<ul style="list-style-type: none">• Enchufe el cargador en un tomacorriente que funcione.• Reemplace el fusible quemado. (Si repetidamente el producto hace que el fusible del circuito se queme, deje de utilizarlo inmediatamente y haga que le realicen mantenimiento en un centro de mantenimiento BLACK+DECKER o en un centro de servicio autorizado.)• Reinicie el interruptor automático. (Si repetidamente el producto hace que el fusible del circuito se queme, deje de utilizarlo inmediatamente y haga que le realicen mantenimiento en un centro de mantenimiento BLACK+DECKER o en un centro de servicio autorizado.)• Haga reparar el cable o el interruptor en un centro de mantenimiento BLACK+DECKER o en un centro de mantenimiento autorizado.

Para conocer la ubicación del centro de mantenimiento más cercano a fin de recibir ayuda con su producto, visite nuestro sitio Web www.blackanddecker.com o llame a la línea de ayuda BLACK+DECKER al **55-5326-7100**

**· GARANTÍA BLACK+DECKER · BLACK+DECKER WARRANTY
· SOLAMENTE PARA PROPOSITOS DE MEXICO**

Distributor Name · *Sello firma del distribuidor*

Date of purchase · *Fecha de compra*

Invoice No. · No. de factura

PRODUCT INFORMATION · IDENTIFICACIÓN DEL PRODUCTO

Cat. No. · *Catalogo ó Modelo*

Serial Number · No. de serie

Name · *Nombre*

Last Name · Apellido

Address · *Dirección*

City · *Ciudad*

State · Estado

Postal Code · *Código Postal*

Country · País

Telephone · *No. Teléfono*

2 AÑOS DE GARANTIA

Este producto cuenta con dos años de garantía a partir de la fecha de compra contra cualquier defecto de su funcionamiento, así como cualquier falla debido a materiales empleados para su fabricación ó mano de obra defectuosa.

Nuestra garantía incluye la reparación o reposición del producto y/o componentes sin cargo alguno para el cliente incluyendo la mano de obra, esta incluye los gastos de trasportación erogados para lograr cumplimiento de esta garantía en los domicilios diversos señalados.

Para hacer efectiva esta garantía deberá presentar su herramienta y esta póliza sellada por el establecimiento comercial donde se adquirió el producto.

Nos comprometemos a entregar el producto en un lapso no mayor a 30 días hábiles contados a partir de la fecha de recepción del mismo en nuestros talleres de servicio autorizados.

ESTA GARANTIA NO APLICA CUANDO:

El producto se hubiese utilizado en condiciones distintas a las normales.

El producto no hubiese sido operado de acuerdo con el instructivo de uso que se acompaña.

El producto hubiese sido alterado o reparado por personas no autorizadas por nosotros.

Importador: Black & Decker S.A. de .C.V

Bosque de Cidros Acceso Radiatas No.42

3ra.Seccion de Bosques de las lomas

C.P.05120, Mexico, D.F. Tel: (01 55) 5326 7100

SOLAMENTE PARA PROPOSITOS DE MEXICO

**Grupo Realsa en herramientas,
S.A. de C.V.**
Súper Manzana 69 MZ.01 Lote 30
(Av. Torcasita)
Col. Puerto Juárez
Cancún, Quintana Roo
Tel. 01 998 884 72 27

Ferre Pat de Puebla, S.A. de C.V.
16 de Septiembre No. 6149
Col. El Cerrito
Puebla, Puebla
Tel. 01 222 264 12 12

Ferre Pat de Puebla, S.A. de C.V.
Ejército Mexicano No. 15
Col. Ejido 1ro. de Mayo
Boca del Río, Veracruz
Tel. 01 229 167 89 89

**Servicio de Fabrica BLACK+DECKER,
S.A. de C.V.**
Lázaro Cardenas No. 18
Col. Obrera
Distrito Federal
Tel. 55 88 95 02

**Representaciones Industriales Robles,
S.A. de C.V.**
Tezozomoc No. 89
Col. La Preciosa
Distrito Federal
Tel. 55 61 86 82

**Gpo. Comercial de Htas. y Refacciones
de Occidente, S.A. de C.V.**
Av. La Paz No. 1779
Col. Americana, S. Juaréz
Guadalajara, Jalisco
Tel. 01 33 38 25 69 78

Herramientas y Equipos Profesionales
Av. Colón 2915 Ote.
Col. Francisco I. Madero
Monterrey, Nvo. León
Tel. 01 81 83 54 60 06

**Htas. Portátiles de Chihuahua,
S.A. de C.V.**
Av. Universidad No. 2903
Col. Fracc. Universidad
Chihuahua, Chihuahua
Tel. 01 614 413 64 04

Fernando González Armenta
Bolivia No. 605
Col. Felipe Carrillo Puerto
Cd. Madero, Tamaulipas
Tel. 01 833 221 34 50

Perfiles y Herramientas de Morelia
Gertrudis Bocanegra No. 898
Col. Ventura Puente
Morelia, Michoacán
Tel. 01 443 313 85 50

Enrique Robles
Av. de la Solidaridad No. 12713
Col. La Pradera
Irapuato, Guanajuato
Tel. 01 462 626 67 39

Hernández Martínez Jeanette
Prolongación Corregidora Nte. No. 1104
Col. Arboledas
Queretaro, Qro.
Tel. 01 442 245 25 80

PARA OTRAS LOCALIDADES LLAME AL 01 800 847 2309 o 01 800 847 2312.

BLACK & DECKER S.A. DE C.V.
BOSQUES DE CIDROS ACCESO RADIATAS NO. 42
COL. BOSQUES DE LAS LOMAS.
05120 MÉXICO, D.F.
TEL. (01 55) 5326 7100
01 800 847 2309/01 800 847 2312