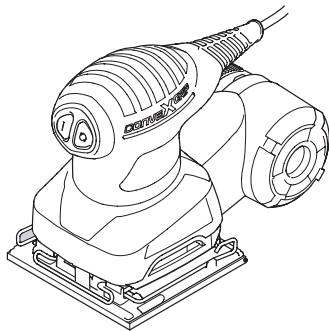


## Cyclone 1/4 Sheet Finish Sander

# INSTRUCTION MANUAL

Catalog Number CYFS2200QS



Thank you for choosing Black & Decker!  
Go to [www.BlackandDecker.com/NewOwner](http://www.BlackandDecker.com/NewOwner)  
to register your new product.

### PLEASE READ BEFORE RETURNING THIS PRODUCT FOR ANY REASON:

If you have a question or experience a problem with your Black & Decker purchase, go to [HTTP://WWW.BLACKANDDECKER.COM/INSTANTANSWERS](http://www.BlackandDecker.com/InstantAnswers) for instant answers 24 hours a day.

If you can't find the answer or do not have access to the internet, call 1-800-544-6986 from 8 a.m. to 5 p.m. EST Mon. -- Fri. to speak with an agent. Please have the catalog number available when you call.

### KEY INFORMATION YOU SHOULD KNOW:

- Regularly check wear on paper and replace worn paper.
- Do not push down—let the sander do the work.
- Extended drywall sanding is not recommended for this product.

### SAVE THIS INSTRUCTION MANUAL FOR FUTURE REFERENCE.

#### VEA EL ESPAÑOL EN LA CONTRAPORTADA.

INSTRUCTIVO DE OPERACIÓN, CENTROS DE SERVICIO Y PÓLIZA DE GARANTÍA.  
ADVERTENCIA: LEÁSE ESTE INSTRUCTIVO ANTES DE USAR EL PRODUCTO.

Catalog No. CYFS2200QS  
Copyright © 2010 Black & Decker

Form No. 90561929

MARCH 2010  
Printed in China

### General Safety Rules

**⚠ WARNING! Read all instructions.** Failure to follow all instructions listed below may result in electric shock, fire and/or serious injury. The term "power tool" in all of the warnings listed below refers to your mains-operated (corded) power tool or battery-operated (cordless) power tool.

**⚠ WARNING: To reduce the risk of injury, user must read instruction manual.**  
**SAVE THESE INSTRUCTIONS**

#### 1) WORK AREA SAFETY

- Keep work area clean and well lit.** Cluttered or dark areas invite accidents.
- Do not operate power tools in explosive atmospheres, such as in the presence of flammable liquids, gases or dust.** Power tools create sparks which may ignite the dust or fumes.
- Keep children and bystanders away while operating a power tool.** Distractions can cause you to lose control.

#### 2) ELECTRICAL SAFETY

- Power tool plugs must match the outlet. Never modify the plug in any way. Do not use any adapter plugs with earthed (grounded) power tools.** Unmodified plugs and matching outlets will reduce risk of electric shock.
- Avoid body contact with earthed or grounded surfaces such as pipes, radiators, ranges and refrigerators.** There is an increased risk of electric shock if your body is earthed or grounded.
- Do not expose power tools to rain or wet conditions.** Water entering a power tool will increase the risk of electric shock.
- Do not abuse the cord. Never use the cord for carrying, pulling or unplugging the power tool. Keep cord away from heat, oil, sharp edges or moving parts.** Damaged or entangled cords increase the risk of electric shock. Replace or repair damaged cords. Make sure your extension cord is in good condition. Use only 3-wire extension cords that have 3-prong grounding-type plugs and 3-pole receptacles that accept the tool's plug.
- When operating a power tool outdoors, use an extension cord suitable for outdoor use.** Use of a cord suitable for outdoor use reduces the risk of electric shock. When using an extension cord, be sure to use one heavy enough to carry the current your product will draw. An undersized cord will cause a drop in line voltage resulting in loss of power and overheating. The following table shows the correct size to use depending on cord length and nameplate ampere rating. If in doubt, use the next heavier gauge. The smaller the gauge number, the heavier the cord.

Volts	Minimum Gauge for Cord Sets			
	Total Length of Cord in Feet			
120V	0-25	26-50	51-100	101-150
	(0-7,6m)	(7,6-15,2m)	(15,2-30,4m)	(30,4-45,7m)
240V	0-50	51-100	101-200	201-300
	(0-15,2m)	(15,2-30,4m)	(30,4-60,9m)	(60,9-91,4m)
Ampere Rating		American Wire Gauge		
More Than	Not more Than			
0 - 6	18	16	16	14
6 - 10	18	16	14	12
10 - 12	16	16	14	12
12 - 16	14	12	Not Recommended	

#### 3) PERSONAL SAFETY

- Stay alert, watch what you are doing and use common sense when operating a power tool. Do not use a power tool while you are tired or under the influence of drugs, alcohol or medication.** A moment of inattention while operating power tool may result in serious personal injury.
- Use safety equipment. Always wear eye protection.** Safety equipment such as dust mask, non-skid safety shoes, hard hat, or hearing protection used for appropriate conditions will reduce personal injuries.
- Avoid accidental starting. Ensure the switch is in the off-position before plugging in.** Carrying power tools with your finger on the switch or plugging in power tools that have the switch on invites accidents.
- Remove any adjusting key or wrench before turning the power tool on.** A wrench

- or a key left attached to a rotating part of the power tool may result in personal injury.
- Do not overreach. Keep proper footing and balance at all times.** This enables better control of the power tool in unexpected situations.
  - Dress properly. Do not wear loose clothing or jewelry. Keep your hair, clothing and gloves away from moving parts.** Loose clothes, jewelry or long hair can be caught in moving parts. Air vents often cover moving parts and should also be avoided.
  - If devices are provided for the connection of dust extraction and collection facilities, ensure these are connected and properly used.** Use of these devices can reduce dust-related hazards.

#### 4) POWER TOOL USE AND CARE

- Do not force the power tool. Use the correct power tool for your application.** The correct power tool will do the job better and safer at the rate for which it was designed.
- Do not use the power tool if the switch does not turn it on and off.** Any power tool that cannot be controlled with the switch is dangerous and must be repaired.
- Disconnect the plug from the power source and/or the battery pack from the power tool before making any adjustments, changing accessories, or storing power tools.** Such preventive safety measures reduce the risk of starting the power tool accidentally.
- Store idle power tools out of the reach of children and do not allow persons unfamiliar with the power tool or these instructions to operate the power tool.** Power tools are dangerous in the hands of untrained users.
- Maintain power tools. Check for misalignment or binding of moving parts, breakage of parts and any other condition that may affect the power tools operation. If damaged, have the power tool repaired before use.** Many accidents are caused by poorly maintained power tools.
- Keep cutting tools sharp and clean.** Properly maintained cutting tools with sharp cutting edges are less likely to bind and are easier to control.
- Use the power tool, accessories and tool bits etc., in accordance with these instructions and in the manner intended for the particular type of power tool, taking into account the working conditions and the work to be performed.** Use of the power tool for operations different from those intended could result in a hazardous situation.

#### 5) SERVICE

- Have your power tool serviced by a qualified repair person using only identical replacement parts.** This will ensure that the safety of the power tool is maintained.
  - If the replacement of the supply cord is necessary, this has to be done by the manufacturer or his agent in order to avoid a safety hazard.**
- ⚠ WARNING: Some dust created by power sanding, sawing, grinding, drilling, and other construction activities contains chemicals known to cause cancer, birth defects or other reproductive harm. Some examples of these chemicals are:**
- lead from lead-based paints,
  - crystalline silica from bricks and cement and other masonry products,
  - arsenic and chromium from chemically-treated lumber (CCA).

Your risk from these exposures varies, depending on how often you do this type of work. To reduce your exposure to these chemicals: work in a well ventilated area, and work with approved safety equipment, such as those dust masks that are specially designed to filter out microscopic particles.

- **Avoid prolonged contact with dust from power sanding, sawing, grinding, drilling, and other construction activities. Wear protective clothing and wash exposed areas with soap and water.** Allowing dust to get into your mouth, eyes, or lay on the skin may promote absorption of harmful chemicals.

**⚠ WARNING: Use of this tool can generate and/or disburse dust, which may cause serious and permanent respiratory or other injury. Always use NIOSH/OSHA approved respiratory protection appropriate for the dust exposure. Direct particles away from face and body.**

**⚠ CAUTION: Wear appropriate personal hearing protection during use. Under some conditions and duration of use, noise from this product may contribute to hearing loss.**

The label on your tool may include the following symbols.

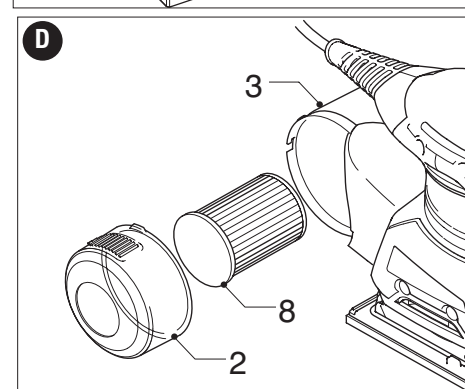
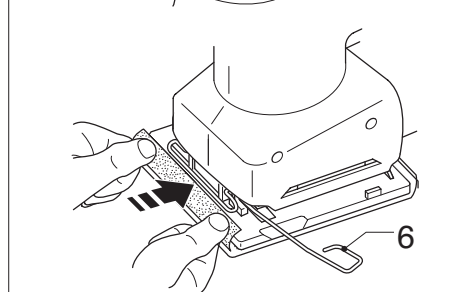
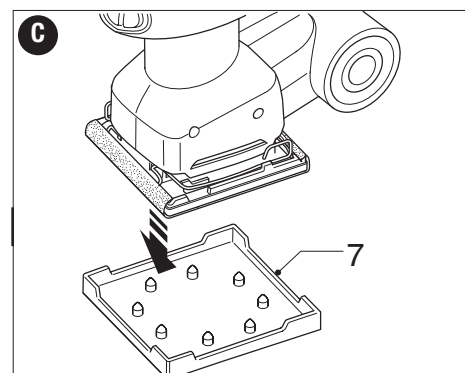
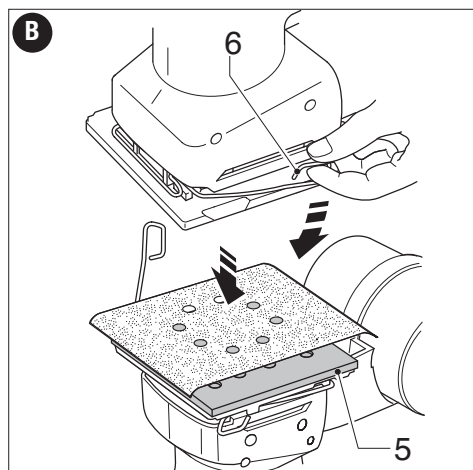
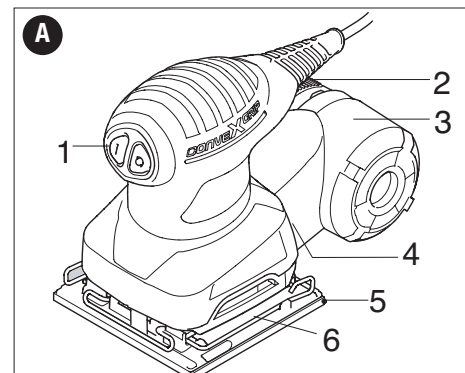
V .....	volts	A .....	amperes
Hz .....	hertz	W .....	watts
min .....	minutes	~ .....	alternating current
— — — .....	direct current	n <sub>o</sub> .....	no load speed
⊠ .....	Class II Construction	⊕ .....	earthing terminal
⚠ .....	safety alert symbol	.../min .....	revolutions or reciprocations per minute

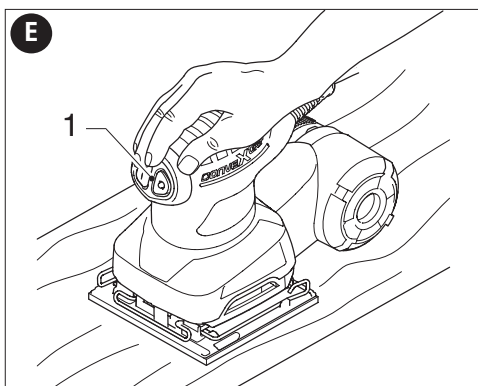
### Motor

Be sure your power supply agrees with nameplate marking. 120 Volts AC only means your tool will operate on standard 60 Hz household power. Do not operate AC tools on DC. A rating of 120 volts AC/DC means that your tool will operate on standard 60 Hz AC or DC power. This information is printed on the nameplate. Lower voltage will cause loss of power and can result in over-heating. All Black & Decker tools are factory-tested; if this tool does not operate, check the power supply.

### Features - Figure A

- On/off switch
- Dust canister cover
- Dust canister
- Dust extraction outlet
- Sanding base
- Paper clamp lever





## Sanding

### Lead based paint

Sanding of lead based paint is NOT RECOMMENDED due to the difficulty of controlling the contaminated dust. The greatest danger of lead poisoning is to children and pregnant women.

Since it is difficult to identify whether or not a paint contains lead without a chemical analysis, we recommend the following precautions when sanding any paint:

### Personal safety

- No children or pregnant women should enter the work area where the paint sanding is being done until all clean up is completed.
  - A dust mask or respirator should be worn by all persons entering the work area. The filter should be replaced daily or whenever the wearer has difficulty breathing.
- NOTE:** Only those dust masks suitable for working with lead paint dust and fumes should be used. Ordinary painting masks do not offer this protection. See your local hardware dealer for the proper (NIOSH approved) mask.
- NO EATING, DRINKING or SMOKING should be done in the work area to prevent ingesting contaminated paint particles. Workers should wash and clean up BEFORE eating, drinking or smoking. Articles of food, drink, or smoking should not be left in the work area where dust would settle on them.

### Environmental safety

- Paint should be removed in such a manner as to minimize the amount of dust generated.
- Areas where paint removal is occurring should be sealed with plastic sheeting of 4 mils thickness.
- Sanding should be done in a manner to reduce tracking of paint dust outside the work area.

### Cleaning and disposal

- All surfaces in the work area should be vacuumed and thoroughly cleaned daily for the duration of the sanding project. Vacuum filter bags should be changed frequently.
- Plastic drop cloths should be gathered up and disposed of along with any dust chips or other removal debris. They should be placed in sealed refuse receptacles and disposed of through regular trash pick-up procedures. During clean up, children and pregnant women should be kept away from the immediate work area.
- All toys, washable furniture and utensils used by children should be washed thoroughly before being used again.

## ASSEMBLY

**⚠WARNING:** To reduce the risk of injury, make sure that the tool is switched off and unplugged before performing any of the following assembly.

### Fitting sanding sheets (fig. B )

- Soften the sanding sheet by rubbing its non-abrasive side over the edge of a work table.
- Press the paper clamp levers (6) upwards to release them from the retaining grooves and open the paper clamps by pressing them down.
- Place the sheet onto the sanding base.
- Insert the edge of the sanding sheet into the front paper clamp as shown.
- Press the front paper clamp lever (6) downwards and locate it in the retaining groove.
- While keeping a slight tension on the sheet, insert the rear edge of the sheet into the rear paper clamp.
- Press the rear paper clamp lever (6) downwards and locate it in the retaining groove.

### Punching sanding sheets (fig. C)

The paper punch (7) is used for punching dust extraction holes in sanding sheets without pre-punched holes.

Fit a sanding sheet.

- Hold the tool in position right above the paper punch (7).
- Press the tool with the sanding base (5) down into the paper punch.
- Take the tool off the paper punch (7) and check whether the holes in the sanding sheet have been fully pierced.

### Fitting and removing the dust canister (fig. D)

- Fit the dust canister (3) over the dust extraction outlet (4).
- To remove the dust canister (3), pull the dust canister to the rear and off the outlet (4).

## OPERATION

**⚠WARNING:** To reduce the risk of injury, let the tool work at its own pace. Do not overload.

### Switching on and off (fig. E)

- To switch the tool on, press the part of the on/off switch (1) marked 'I'.
- To switch the tool off, press the part of the on/off switch (1) marked 'O'.

### Emptying the dust canister (fig. D)

- The dust canister should be emptied every 10 minutes.
- Pull the dust canister (3) to the rear and off the tool .
- Remove the cover (2) by twisting it counterclockwise.
- Hold dust canister with the filter (8) facing down and shake the canister (3) to empty the contents.
- Shake the cover (2) to empty the contents.
- Refit the cover (2) onto the dust canister (3), twisting it clockwise until it locks into place.
- Fit the dust canister (3) onto the tool.

### Cleaning the dust canister filter

**⚠Warning:** To reduce the risk of personal injury, do not use compressed air to clean the filter.

- NOTE:** Do not use a brush or sharp objects to clean the filter as these items can reduce the durability of the filter material. Do not wash the filter.
- The dust canister filter (8) is re-usable and should be cleaned regularly.
  - Empty the dust canister (3) as described above.
  - Pull the dust canister filter (8) off the dust canister (3).
  - Shake off the excess dust by tapping the filter (8) into a trash can.
  - Replace the dust canister filter (8).
  - Fit the cover (2).
  - Fit the dust canister (3) onto the tool.

### Hints for optimum use

- Do not place your hands over the ventilation slots.
- Do not exert too much pressure on the tool.
- Regularly check the condition of the sanding sheet. Replace when necessary.
- Always sand with the grain of the wood.
- When sanding new layers of paint before applying another layer, use extra fine grit.
- On very uneven surfaces, or when removing layers of paint, start with a coarse grit. On other surfaces, start with a medium grit. In both cases, gradually change to a fine grit for a smooth finish.

### Dust Collection

**⚠WARNING: Fire hazard.** Collected sanding dust from sanding surface coatings (polyurethane, linseed oil, etc.) can self-ignite in sander dust canister or elsewhere and cause fire. To reduce risk, empty canister frequently and strictly follow sander manual and coating manufacturer's instructions.

**⚠WARNING: Fire hazard.** When working on metal surfaces, do not use the dust canister or a vacuum cleaner because sparks are generated. Wear safety glasses and a dustmask. Due to the danger of fire, do not use your sander to sand magnesium surfaces. Do not use for wet sanding.

## TROUBLESHOOTING

### Problem

- Unit will not start.

### Possible Cause

- Cord not plugged in.
- Circuit fuse is blown.
- Circuit breaker is tripped.
- Cord or switch is damaged.

### Possible Solution

- Plug tool into a working outlet.
- Replace circuit fuse.  
(If the product repeatedly causes the circuit fuse to blow, discontinue use immediately and have it serviced at a Black & Decker service center or authorized servicer.)
- Reset circuit breaker.  
(If the product repeatedly causes the circuit breaker to trip, discontinue use immediately and have it serviced at a Black & Decker service center or authorized servicer.)
- Have cord or switch replaced at Black & Decker Service Center or Authorized Servicer.

For assistance with your product, visit our website [www.blackanddecker.com](http://www.blackanddecker.com) for the location of the service center nearest you or call the BLACK & DECKER help line at **1-800-544-6986**.

## Maintenance

Your tool has been designed to operate over a long period of time with a minimum of maintenance.

Continuous satisfactory operation depends upon proper tool care and regular cleaning.

- Clear the cooling vents and slots with a clean, dry paint brush.
- Clean the housing with a clean, damp cloth. Do not use solvents.

## Accessories

Recommended accessories for use with your tool are available at extra cost from your local dealer or authorized service center. If you need assistance in locating any accessory for your tool, please call 1-800-544-6986.

**⚠WARNING:** The use of any accessory not recommended for use with this tool could be hazardous.

## SERVICE INFORMATION

All Black & Decker Service Centers are staffed with trained personnel to provide customers with efficient and reliable power tool service. Whether you need technical advice, repair, or genuine factory replacement parts, contact the Black & Decker location nearest you. To find your local service location, refer to the yellow page directory under "Tools—Electric" or call: **1-800-544-6986** or visit [www.blackanddecker.com](http://www.blackanddecker.com)

## FULL TWO-YEAR HOME USE WARRANTY

Black & Decker (U.S.) Inc. warrants this product for two years against any defects in material or workmanship. The defective product will be replaced or repaired at no charge in either of two ways.

The first, which will result in exchanges only, is to return the product to the retailer from whom it was purchased (provided that the store is a participating retailer). Returns should be made within the time period of the retailer's policy for exchanges (usually 30 to 90 days after the sale). Proof of purchase may be required. Please check with the retailer for their specific return policy regarding returns that are beyond the time set for exchanges.

The second option is to take or send the product (prepaid) to a Black & Decker owned or authorized Service Center for repair or replacement at our option. Proof of purchase may be required. Black & Decker owned and authorized Service Centers are listed under "Tools-Electric" in the yellow pages of the phone directory.

This warranty does not apply to accessories. This warranty gives you specific legal rights and you may have other rights which vary from state to state or province to province. Should you have any questions, contact the manager of your nearest Black & Decker Service Center. This product is not intended for commercial use.

**FREE WARNING LABEL REPLACEMENT:** If your warning labels become illegible or are missing, call **1-800-544-6986** for a free replacement.

**LATIN AMERICA:** This warranty does not apply to products sold in Latin America. For products sold in Latin America, check country specific warranty information contained in the packaging, call the local company or see the website for warranty information.

Imported by  
Black & Decker (U.S.) Inc.,  
701 E. Joppa Rd.  
Towson, MD 21286 U.S.A.



See 'Tools-  
Electric'  
- Yellow Pages -  
for Service &  
Sales



# PONCEUSE DE FINITION CYCLONE À ¼ DE FEUILLE

## MODE D'EMPLOI

Numéro de catalogue CYFS2200QS

Merci d'avoir choisi Black & Decker!  
Consulter le site Web  
[www.BlackandDecker.com/NewOwner](http://www.BlackandDecker.com/NewOwner)  
pour enregistrer votre nouveau produit.

### À LIRE AVANT DE RETOURNER CE PRODUIT POUR QUELQUE RAISON QUE CE SOIT :

Si des questions ou des problèmes surgissent après l'achat d'un produit Black & Decker,  
consulter le site Web

[HTTP://WWW.BLACKANDDECKER.COM/INSTANTANSWERS](http://www.blackanddecker.com/instantanswers)  
pour obtenir des réponses instantanément 24 heures par jour.

Si la réponse est introuvable ou en l'absence d'accès à Internet, composer le  
1-800-544-6986 de 8 h à 17 h HNE, du lundi au vendredi, pour parler avec un agent.  
Prière d'avoir le numéro de catalogue sous la main lors de l'appel.

### VOICI DES RENSEIGNEMENTS IMPORTANTS QU'IL VOUS FAUT SAVOIR :

- Vérifier régulièrement l'usure du papier et le remplacer lorsqu'il est usé.
- Ne pas pousser l'outil vers le bas, le laisser effectuer le travail.
- Il n'est pas recommandé d'utiliser ce produit pour un ponçage prolongé de cloisons sèches.

### CONSERVER CE MODE D'EMPLOI POUR UN USAGE ULTÉRIEUR.

#### Règles de sécurité générales

**AVERTISSEMENT!** Lire toutes les directives. Tout manquement aux directives suivantes pose des risques de choc électrique, d'incendie et/ou de blessure grave. Le terme « outil électrique » dans tous les avertissements ci-après se rapporte à votre outil électrique à alimentation sur secteur (avec fil) ou par piles (sans fil).

**AVERTISSEMENT :** Afin de réduire le risque de blessures, l'utilisateur doit lire le mode d'emploi.

#### CONSERVER CES DIRECTIVES

##### 1) SÉCURITÉ DU LIEU DE TRAVAIL

- Tenir la zone de travail propre et bien éclairée.** Les endroits sombres sont souvent des causes d'accidents.
- Ne pas faire fonctionner d'outils électriques dans un milieu déflagrant, soit en présence de liquides inflammables, de gaz ou de poussière.** Les outils électriques produisent des étincelles qui peuvent enflammer la poussière ou les vapeurs.
- Éloigner les enfants et les curieux au moment d'utiliser un outil électrique.** Une distraction pourrait vous en faire perdre la maîtrise.

##### 2) SÉCURITÉ EN MATIÈRE D'ÉLECTRICITÉ

- Les fiches des outils électriques doivent correspondre à la prise. Ne jamais modifier la fiche en aucune façon.** Ne jamais utiliser de fiche d'adaptation avec un outil électrique mis à la terre. Le risque de choc électrique sera réduit par l'utilisation de fiches non modifiées correspondant à la prise.
- Éviter tout contact physique avec des surfaces mises à la terre comme des tuyaux, des radiateurs, des cuisinières et des réfrigérateurs.** Le risque de choc électrique est plus élevé si votre corps est mis à la terre.
- Ne pas exposer les outils électriques à la pluie ou à d'autres conditions où il pourrait être mouillé.** La pénétration de l'eau dans un outil électrique augmente le risque de choc électrique.
- Ne pas utiliser abusivement le cordon d'alimentation. Ne jamais utiliser le cordon pour transporter, tirer ou débrancher un outil électrique. Tenir le cordon éloigné de la chaleur, de l'huile, des bords tranchants ou des pièces mobiles.** Les cordons endommagés ou emmêlés augmentent les risques de choc électrique. Remplacer ou réparer les cordons endommagés. S'assurer que la rallonge est en bon état. Utiliser uniquement une rallonge à 3 fils pourvue d'une fiche de mise à la terre à 3 lames et une prise à 3 fentes correspondant à la fiche.
- Pour l'utilisation d'un outil électrique à l'extérieur, se servir d'une rallonge convenant à une telle utilisation.** L'utilisation d'une rallonge conçue pour l'extérieur réduit les risques de choc électrique. Lorsque qu'une rallonge électrique est utilisée, s'assurer d'en utiliser une de calibre suffisamment élevé pour assurer le transport du courant nécessaire au fonctionnement de votre appareil. Un cordon de calibre inférieur causera une chute de tension de ligne et donc une perte de puissance et une surchauffe. Le tableau suivant indique le calibre approprié à utiliser selon la longueur du cordon et l'intensité nominale de la plaque signalétique. En cas de doute, utiliser le calibre suivant le plus gros. Plus le numéro de calibre est petit, plus le cordon est lourd.

Volts	Minimum Gauge for Cord Sets			
	Total Length of Cord in Feet			
120V	0-25	26-50	51-100	101-150
	(0-7,6m)	(7,6-15,2m)	(15,2-30,4m)	(30,4-45,7m)
240V	0-50	51-100	101-200	201-300
	(0-15,2m)	(15,2-30,4m)	(30,4-60,9m)	(60,9-91,4m)
Ampere Rating		American Wire Gage		
More Than	Not more Than			
0	- 6	18	16	14
6	- 10	18	16	14
10	- 12	16	16	14
12	- 16	14	12	Not Recommended

##### 3) SÉCURITÉ PERSONNELLE

- Être vigilant, surveiller le travail effectué et faire preuve de jugement lorsqu'un outil électrique est utilisé. Ne pas utiliser d'outil électrique en cas de fatigue ou sous l'influence de drogues, d'alcool ou de médicaments.** Un moment d'inattention, durant l'utilisation d'un outil électrique, peut se solder par des blessures graves.
- Utiliser un équipement de sécurité. Toujours porter une protection oculaire.** L'utilisation d'un équipement de sécurité comme un masque anti-poussières, des chaussures antidérapantes, un casque de sécurité ou des protecteurs auditifs lorsque la situation le requiert réduira les risques de blessures corporelles.
- Attention de ne pas mettre en marche l'outil accidentellement. S'assurer que l'interrupteur est en position d'arrêt avant tout branchement.** Transporter un outil électrique alors que le doigt est sur l'interrupteur ou brancher un outil électrique alors que l'interrupteur est en position de marche risque de causer un accident.
- Retirer toute clé de réglage ou clé standard avant de démarrer l'outil.** Une clé standard ou une clé de réglage attachée à une partie pivotante peut causer des blessures.
- Ne pas trop tendre les bras. Conserver son équilibre en tout temps.** Cela permet de mieux maîtriser l'outil électrique dans les situations imprévues.

- S'habiller de manière appropriée. Ne pas porter de vêtements amples ni de bijoux. Maintenir cheveux, vêtements et gants éloignés des pièces mobiles.** Les vêtements amples, bijoux ou cheveux longs pourraient s'enchevêtrer dans les pièces mobiles. Se tenir éloigné des événements puisque ces derniers pourraient camoufler des pièces mobiles.
- Si des composants sont fournis pour le raccordement de dispositifs de dépoussiérage et de ramassage, s'assurer que ceux-ci sont bien raccordés et utilisés.** L'utilisation de ces dispositifs peut réduire les risques engendrés par les poussières.

##### 4) UTILISATION ET ENTRETIEN D'UN OUTIL ÉLECTRIQUE

- Ne pas forcer un outil électrique. Utiliser l'outil électrique approprié à l'application.** L'outil électrique approprié effectuera un meilleur travail, de façon plus sûre et à la vitesse pour laquelle il a été conçu.
- Ne pas utiliser un outil électrique dont l'interrupteur est défectueux.** Tout outil électrique dont l'interrupteur est défectueux est dangereux et doit être réparé.
- Débrancher la fiche du secteur ou le bloc-piles de l'outil électrique avant de faire tout réglage ou changement d'accessoire, ou avant de ranger l'outil électrique.** Ces mesures préventives réduisent les risques de démarrage accidentel de l'outil électrique.
- Ranger les outils électriques hors de la portée des enfants, et ne permettre à aucune personne n'étant pas familière avec un outil électrique (ou son manuel d'instruction) d'utiliser ce dernier.** Les outils électriques deviennent dangereux entre les mains d'utilisateurs inexpérimentés.
- Entretenir les outils électriques. Vérifier les pièces mobiles pour s'assurer qu'elles sont bien alignées et tournent librement, qu'elles sont en bon état et ne sont affectées par aucun trouble susceptible de nuire au bon fonctionnement de l'outil électrique.** En cas de dommage, faire réparer l'outil électrique avant toute nouvelle utilisation. Beaucoup d'accidents sont causés par des outils électriques mal entretenus.
- S'assurer que les outils de coupe sont aiguisés et propres.** Les outils de coupe bien entretenus et affûtés sont moins susceptibles de se coincer et sont plus faciles à contrôler.
- Utiliser l'outil électrique, les accessoires, les mèches, etc., conformément aux présentes directives et suivant la manière prévue pour ce type particulier d'outil électrique, en tenant compte des conditions de travail et du travail à effectuer.** L'utilisation d'un outil électrique pour toute opération autre que celle pour laquelle il a été conçu est dangereuse.

##### 5) RÉPARATION

- Faire réparer l'outil électrique par un réparateur professionnel en n'utilisant que des pièces de rechange identiques.** Cela permettra de maintenir une utilisation sécuritaire de l'outil électrique.
- S'il faut remplacer le cordon d'alimentation, ceci doit être fait par le fabricant ou son agent pour éviter tout risque d'accident.**

**AVERTISSEMENT :** Certaines poussières produites par les activités de ponçage, de sciage, de meulage, de perçage et autres activités de construction peuvent contenir des produits chimiques pouvant causer le cancer, des anomalies congénitales ou d'autres problèmes liés aux fonctions reproductrices. Voici quelques exemples de ces produits chimiques :

- le plomb contenu dans les peintures à base de plomb;
- la silice cristalline provenant de la brique, du ciment et d'autres produits de maçonnerie;
- l'arséniate de cuivre et de chrome provenant du bois traité chimiquement.

Les risques reliés à l'exposition à ces poussières varient selon la fréquence à laquelle l'utilisateur travaille avec ce type de matériaux. Afin de réduire votre exposition à ces produits chimiques : travailler dans un endroit bien ventilé et porter un équipement de sécurité approuvé comme un masque anti-poussières conçu spécialement pour filtrer les particules microscopiques.

- **Éviter le contact prolongé avec les poussières produites par les activités de ponçage, sciage, meulage, perçage et autres activités de construction. Porter des vêtements de protection et laver les parties du corps exposées avec une solution d'eau et de savon.** Le fait de laisser la poussière pénétrer dans la bouche et les yeux ou de la laisser reposer sur la peau, peut promouvoir l'absorption de produits chimiques nocifs.

**AVERTISSEMENT :** L'utilisation de cet outil peut produire ou propulser des poussières qui pourraient causer des problèmes respiratoires graves et permanents ou d'autres problèmes médicaux. Toujours porter un appareil respiratoire approuvé par la NIOSH/OSHA pour se protéger de la poussière. Diriger les particules loin du visage et du corps.

**MISE EN GARDE :** Porter un pare-main anti-bruit pendant l'utilisation. Dans certaines conditions et selon la durée d'utilisation, le bruit causé par ce produit peut contribuer à une perte auditive.

L'étiquette apposée sur votre outil peut comprendre les symboles suivants.

V .....	volts	A.....	ampères
Hz .....	hertz	W .....	watts
min.....	minutes	~ .....	courant alternatif
=== .....	courant continu	n0.....	vitesse à vide
☐ .....	Assemblage de classe II	⊕ .....	borne de terre
⚠ .....	symbole d'alerte à la sécurité	.../min .....	min ou alternances par minute

##### Moteur

S'assurer que le bloc d'alimentation est compatible avec l'inscription de la plaque signalétique. 120 volts c.a. signifie seulement que l'outil fonctionnera sur une alimentation domestique standard de 60 Hz. Ne pas faire fonctionner des outils à courant alternatif (c.a.) sur un courant continu (c.c.). Un régime nominal de 120 volts c.a./c.c. signifie que votre outil fonctionnera avec une alimentation standard 60 Hz c.a. ou c.c. Ce renseignement figure sur la plaque signalétique. Une plus faible tension entraînera une baisse de régime, ce qui peut entraîner une surchauffe. Tous les outils Black & Decker sont testés en usine; si cet outil ne fonctionne pas, vérifier le bloc d'alimentation.

##### Caractéristiques – Figure A

1. Interrupteur Marche/Arrêt
2. Couvercle du compartiment à poussière
3. Compartiment à poussière
4. Sortie de dispositif de dépoussiérage
5. Base de ponçage
6. Levier de pince à papier

##### Ponçage

###### Peinture à base de plomb

Le ponçage d'une peinture au plomb N'EST PAS RECOMMANDÉ en raison de la difficulté entourant le contrôle de la poussière contaminée. Le danger le plus important d'empoisonnement au plomb touche les enfants et les femmes enceintes.

Étant donné qu'il est difficile d'identifier si une peinture contient ou non du plomb sans une analyse chimique, nous vous recommandons de suivre les précautions suivantes lors du ponçage d'une peinture.

##### Sécurité personnelle

- Les enfants et les femmes enceintes ne devraient pas entrer dans une zone de travail où se fait le ponçage de la peinture avant que la zone n'ait été entièrement nettoyée.
- Toutes les personnes entrant dans la zone de travail doivent porter un masque antipoussières ou un respirateur. Le filtre doit être remplacé chaque jour ou dès que la personne qui le porte éprouve de la difficulté à respirer.  
**REMARQUE :** Seuls les masques qui conviennent pour le travail avec de la poussière et des émanations de peinture au plomb doivent être utilisés. Les masques pour peinture ordinaires n'offrent pas cette protection. Consulter la quincaillerie de votre région pour avoir un masque adéquat (approuvé par la NIOSH).

- Il faut éviter de MANGER, BOIRE et FUMER dans la zone de travail pour empêcher toute ingestion de particules de peinture contaminée. Les travailleurs doivent se laver les mains AVANT de manger, de boire ou de fumer. Ne pas laisser de nourriture, de breuvages ou d'articles de fumeur dans la zone de travail où ils risquent de recevoir de la poussière.

#### Respect de l'environnement

- La peinture doit être enlevée de façon à minimiser la quantité de poussière produite.
- Les zones où la peinture est enlevée doivent être scellées avec des feuilles de plastique d'une épaisseur de 4 mils.
- Le ponçage doit se faire de façon à réduire le repérage de la poussière de peinture à l'extérieur de la zone de travail.

#### Nettoyage et élimination

- Toutes les surfaces de la zone de travail doivent être nettoyées à fond à l'aide d'un aspirateur, et ce, chaque jour, pour la durée du projet de ponçage. Il faut changer régulièrement les sacs de filtre pour aspirateur.
- Les toiles de peinture en plastique doivent être rassemblées et mises au rebut avec les particules de poussière ou tout autre débris d'enlèvement. Il faut les placer dans des récipients à rebut étanches et les éliminer par la collecte des ordures ménagères. Pendant le nettoyage, les enfants et les femmes enceintes doivent éviter de se trouver dans la zone immédiate de travail.
- Tous les jouets, meubles lavables et les ustensiles utilisés par les enfants doivent être nettoyés à fond avant de les utiliser de nouveau.

#### Assemblage

**⚠AVERTISSEMENT : pour réduire les risques de blessures, vérifier que l’outil est éteint et débranché avant d’effectuer l’assemblage suivant.**

#### Ajustement des feuilles de papier abrasif (fig. B)

- Assouplir la feuille de papier abrasif en frottant le côté non abrasif sur le bord de la table de travail.
- Appuyer sur les leviers des pinces à papier vers le haut (6) pour les dégager des rainures de blocage et ouvrir les pinces à papier en appuyant dessus.
- Placer la feuille sur la base de ponçage.
- Insérer le bord de la feuille de papier dans la pince avant comme illustré.
- Appuyer sur le levier de la pince à papier avant (6) et le placer dans la rainure de blocage.
- Tout en maintenant une légère tension sur la feuille, insérer le bord arrière de la feuille dans la pince à papier arrière.
- Appuyer sur le levier de la pince à papier arrière (6) et le placer dans la rainure de blocage.

#### Perforation des feuilles de papier abrasif (fig. C)

Le perforateur à papier (7) est utilisé pour percer les trous d'extraction de la poussière dans le papier abrasif ne comportant pas de trous pré-perçés.

Placer une feuille de papier abrasif.

- Tenir l'outil en position jusque au-dessus du perforateur à papier (7).
- Appuyer l'outil avec la base de ponçage (5) dans le perforateur à papier.
- Dégager l'outil du perforateur à papier (7) et vérifier si les trous dans la feuille de papier abrasif ont été complètement perforés.

#### Mise en place et retrait du compartiment à poussière (fig. D)

- Ajuster le compartiment à poussière (3) sur la sortie du dispositif de dépoussiérage (4).
- Pour retirer le compartiment à poussière (3), le tirer vers l'arrière pour le dégager de la sortie (4).

### FONCTIONNEMENT

**⚠AVERTISSEMENT : pour réduire les risques de blessures, laisser l’outil travailler à sa propre vitesse. Ne pas le surcharger.**

#### Mise en marche et arrêt (fig. E)

- Pour allumer l'outil, appuyer sur la partie de l'interrupteur marche/arrêt (1) marquée "I".
- Pour éteindre l'outil, appuyer sur la partie de l'interrupteur marche/arrêt (1) marquée "O".

#### Vidage du compartiment à poussière (fig. D)

- Le compartiment à poussière doit être vidé toutes les 10 minutes.
- Tirer le compartiment à poussière (3) vers l'arrière et le dégager de l'outil.
- Retirer le couvercle (2) en le tournant dans le sens antihoraire.
- Tenir le compartiment à poussière avec le filtre (8) orienté vers le bas et secouer le compartiment à poussière (3) pour le vider.
- Secouer le couvercle (2) pour vider le contenu.
- Remettre le couvercle (2) sur le compartiment à poussière (3) et le tourner dans le sens horaire de manière à le verrouiller en place.
- Placer le compartiment à poussière (3) sur l'outil.

#### Nettoyage du filtre du compartiment à poussière

**⚠AVERTISSEMENT : pour réduire les risques de blessures, ne pas utiliser d’air comprimé pour nettoyer le filtre.**

- REMARQUE :** ne pas utiliser de brosse ou d'objets pointus pour nettoyer le filtre car ils pourraient réduire la durée de vie du matériau du filtre. Ne pas laver le filtre.
- Le filtre du compartiment à poussière (8) est réutilisable et doit être nettoyé régulièrement.
- Vider du compartiment à poussière (3) comme décrit ci-dessus.
- Sortir le filtre (8) du compartiment à poussière (3).
- Secouer l'excès de poussière en tapant le filtre (8) au-dessus d'une poubelle.
- Remettre en place le filtre du compartiment à poussière (8).
- Remettre le couvercle en place (2).
- Fixer le compartiment à poussière (3) sur l'outil.

#### Conseils pour une utilisation optimale

- Ne pas mettre les mains sur les fentes d'évent.
- Ne pas appliquer trop de pression sur l'outil.
- Vérifier régulièrement l'état de la feuille de papier abrasif. Le remplacer au besoin.
- Toujours poncer dans le sens du grain de bois.
- Pour le ponçage de nouvelles couches de peinture avant d'appliquer une autre couche, utiliser un grain extra fin.
- Sur des surfaces très inégales, ou pour enlever des couches de peinture, commencer avec un grain grossier. Sur d'autres surfaces, commencer par un grain moyen. Dans les deux cas, passer graduellement à un grain fin pour un fini lisse.

#### Dépoussiérage

**⚠AVERTISSEMENT : risque d’incendie.** Les poussières de ponçage issues des couches de protection (polyuréthane, huile de lin, etc.) peuvent s'enflammer spontanément dans le compartiment à poussière ou ailleurs et causer un incendie. Pour réduire les risques, vider fréquemment le compartiment à poussière et suivre strictement le mode d'emploi de la ponceuse ainsi que les directives du fabricant de l'enduit.

**⚠AVERTISSEMENT : risque d’incendie.** Pour le travail effectué sur des surfaces métalliques, ne pas utiliser le compartiment à poussière ou un aspirateur parce que des étincelles peuvent se produire. Porter des lunettes de sécurité et un masque antipous-sières. En raison du risque d'incendie, ne pas utiliser la ponceuse pour poncer des sur-faces de magnésium. Ne pas utiliser pour poncer une surface mouillée.

Problème	Cause possible	Solution possible
• L'appareil refuse de démarrer.	• Cordon d'alimentation non branché. <p>• Le fusible du circuit est grillé.</p>	• Brancher le chargeur dans une prise qui fonctionne. <p>• Remplacer le fusible du circuit. (Si le produit fait griller de façon répété le fusible du circuit, arrêter immédiatement d'utiliser le produit et le faire réparer dans un centre de réparation Black &amp; Decker ou un centre de réparation autorisé.)</p> <p>• Remettez à zéro le disjoncteur. (Si le produit fait déclencher de façon répétée le disjoncteur, arrêter immédiatement d'utiliser le produit et le faire réparer dans un centre de réparation Black &amp; Decker ou un centre de réparation autorisé.)</p> <p>• Faire remplacer le cordon ou l'interrupteur au centre de réparation Black &amp; Decker ou à un centre de réparation autorisé.</p>
	• Le disjoncteur s'est déclenché.	
	• Cordon d'alimentation ou interrupteur endommagé.	

Pour de l'aide sur l'outil, consulter notre site Web **www.blackanddecker.com** pour l'emplacement du centre de réparation le plus près ou communiquer avec l'assistance BLACK & DECKER au **1-800-544-6986**.

#### Entretien

L'outil a été conçu pour fonctionner longtemps avec un minimum d'entretien.

Un fonctionnement satisfaisant continu dépend du bon entretien et du nettoyage régulier de l'outil.

- Dégager les événements de refroidissement et les fentes au moyen d'un pinceau propre et sec.
- Nettoyer le boîtier avec un chiffon propre humecté. Ne pas utiliser de solvants.

#### Accessoires

Les accessoires recommandés pour être utilisés avec l'outil sont disponibles chez le distributeur ou le centre de réparation autorisé de votre région. Pour toute assistance en matière d'accessoire convenant à l'outil acheté, composer le numéro suivant : **1-800-544-6986**.

**⚠AVERTISSEMENT :** L'utilisation de tout accessoire non recommandé avec cet outil pourrait s'avérer dangereuse.

#### INFORMATION SUR LES RÉPARATIONS

Tous les centres de réparation Black & Decker sont dotés de personnel qualifié en matière d'outillage électrique; ils sont donc en mesure d'offrir à leur clientèle un service efficace et fiable. Que ce soit pour un avis technique, une réparation ou des pièces de rechange authentiques installées en usine, communiquer avec l'établissement Black & Decker le plus près de chez vous. Pour trouver l'établissement de réparation de votre région, consulter le répertoire des Pages jaunes à la rubrique « Outils électriques » ou composer le numéro suivant : **1-800-544-6986** ou consulter le site **www.blackanddecker.com**

#### GARANTIE COMPLÈTE DE DEUX ANS POUR UNE UTILISATION DOMESTIQUE


Black & Decker (É.-U.) Inc. garantit ce produit pour une durée de deux ans contre tout défaut de matériau ou de fabrication. Le produit défectueux sera remplacé ou réparé sans frais de l'une des deux façons suivantes :

La première façon consiste en un simple échange chez le détaillant qui l'a vendu (pourtvu qu'il s'agisse d'un détaillant participant). Tout retour doit se faire durant la période correspondant à la politique d'échange du détaillant (habituellement, de 30 à 90 jours après l'achat). Une preuve d'achat peut être requise. Vérifier auprès du détaillant pour connaître sa politique concernant les retours hors de la période définie pour les échanges.

La deuxième option est d'apporter ou d'envoyer le produit (transport payé d'avance) à un centre de réparation autorisé ou à un centre de réparation de Black & Decker pour faire réparer ou échanger le produit, à notre discrétion. Une preuve d'achat peut être requise. Les centres Black & Decker et les centres de service autorisés sont répertoriés dans les pages jaunes, sous la rubrique « Outils électriques ».

Cette garantie ne s'applique pas aux accessoires. Cette garantie vous accorde des droits légaux spécifiques et vous pourriez avoir d'autres droits qui varient d'un État ou d'une province à l'autre. Pour toute question, communiquer avec le directeur du centre de réparation Black & Decker le plus près de chez vous. Ce produit n'est pas destiné à un usage commercial.

**REMPACEMENT GRATUIT DES ÉTIQUETTES D'AVERTISSEMENT :** si les étiquettes d'avertissement deviennent illisibles ou sont manquantes, composer le **1-800-544-6986** pour en obtenir le remplacement gratuit.

<p>Imported by / Importé par Black &amp; Decker Canada Inc. 100 Central Ave. Brockville (Ontario) K6V 5W6</p>	<p><b>Voir la rubrique “Outils électriques” des Pages Jaunes pour le service et les ventes.</b></p>	
---	---	---

# LIJADORA PARA ACABADOS CYCLONE DE 1/4 DE HOJA

# MANUAL DE INSTRUCCIONES

## Número de catálogo CYFS2200QS

**Gracias por elegir Black & Decker!**  
**Visite [www.BlackandDecker.com/NewOwner](http://www.BlackandDecker.com/NewOwner)**  
**para registrar su nuevo producto.**

## LEA EL MANUAL ANTES DE DEVOLVER ESTE PRODUCTO POR CUALQUIER MOTIVO:

Si tiene una consulta o algún inconveniente con su producto Black & Decker, visite **HTTP://WWW.BLACKANDECKER.COM/INSTANTANSWERS** para obtener respuestas instantáneas las 24 horas del día.

Si no encuentra la respuesta o no tiene acceso a Internet, llame al 1-800-544-6986 de lunes a viernes de 8 a.m. a 5 p.m. hora del Este para hablar con un agente. Cuando llame, tenga a mano el número de catálogo.

## INFORMACIÓN CLAVE QUE USTED DEBE CONOCER:

- Compruebe periódicamente el desgaste del papel de lija y reemplace el papel de lija gastado.

- No presione hacia abajo, deje que la lijadora haga el trabajo.

- No se recomienda usar este producto para el lijado extendido en madera contrachapada.

### CONSERVE ESTE MANUAL PARA FUTURAS CONSULTAS.

### Normas generales de seguridad

**⚠ADVERTENCIA: Lea todas las instrucciones.** El incumplimiento de las instrucciones enumeradas debajo puede provocar descarga eléctrica, incendio o lesiones graves. El término “herramienta eléctrica” incluido en todas las advertencias enumeradas a continuación hace referencia a su herramienta eléctrica operada con corriente (alámbrica) o a su herramienta eléctrica operada con baterías (inalámbrica).

**⚠ADVERTENCIA:** Para reducir el riesgo de lesiones, el usuario debe leer el manual de instrucciones.

## CONSERVE ESTAS INSTRUCCIONES

#### 1) SEGURIDAD EN EL ÁREA DE TRABAJO

- a) Mantenga el área de trabajo limpia y bien iluminada.** Las áreas abarrotadas y oscuras propician accidentes.
- b) No opere herramientas eléctricas en atmósferas explosivas, como ambientes donde se encuentran líquidos, gases o polvo inflamables.** Las herramientas eléctricas originan chispas que pueden encender el polvo o los vapores.
- c) Mantenga a los niños y espectadores alejados de la herramienta eléctrica en funcionamiento.** Las distracciones pueden provocar la pérdida de control.

#### 2) SEGURIDAD ELÉCTRICA

- a) Los enchufes de la herramienta eléctrica deben adaptarse al tomacorriente. Nunca modifique el enchufe de ninguna manera. No utilice ningún enchufe adaptador con herramientas eléctricas con conexión a tierra.** Los enchufes no modificados y que se adaptan a los tomacorrientes reducirán el riesgo de descarga eléctrica.
- b) Evite el contacto corporal con superficies puestas a tierra, como por ejemplo tuberías, radiadores, rangos y refrigeradores.** Existe mayor riesgo de descarga eléctrica si su cuerpo está puesto a tierra.

**c) No exponga las herramientas eléctricas a la lluvia o a condiciones de humedad.** Si ingresa agua a una herramienta eléctrica, aumentará el riesgo de descarga eléctrica.

**d) No maltrate al cable. Nunca utilice el cable para transportar, tirar o desenchufar la herramienta eléctrica.** Mantenga el cable lejos del calor, aceite, bordes afilados o piezas móviles. Los cables dañados o enredados aumentan el riesgo de descarga eléctrica. Repare o reemplace los cables dañados. Asegúrese de que el cable prolongador esté en buenas condiciones. Utilice solamente cables prolongadores de 3 conductores que tengan enchufes a tierra de 3 patas y receptáculos de tripolares que se adapten al enchufe de la herramienta.

**e) Al operar una herramienta eléctrica en el exterior, utilice un cable prolongador adecuado para tal uso.** Utilice un cable adecuado para uso en exteriores a fin de reducir el riesgo de descarga eléctrica. Cuando utilice un cable prolongador, asegúrese de que tenga la capacidad para conducir la corriente que su producto exige. Un cable de menor capacidad provocará una disminución en el voltaje de la línea que producirá pérdida de potencia y sobrecalentamiento. La siguiente tabla muestra la medida correcta que debe utilizar según la longitud del cable y la capacidad nominal en amperios indicada en la placa. En caso de duda, utilice el calibre inmediatamente superior. Cuanto menor es el número de calibre, más grueso es el cable.

	Calibre mínimo para cables de extensión					
Volts	Longitud total del cable en pies		American Wire Gage			
120V	0-25 (0-7,6m)	26-50 (7,6-15,2m)	51-100 (15,2-30,4m)	101-150 (30,4-45,7m)		
240V	0-50 (0-15,2m)	51-100 (15,2-30,4m)	101-200 (30,4-60,9m)	201-300 (60,9-91,4m)		
<b>Amperaje</b>	Más de	No más de				
0	-	6	18	16	14	
6	-	10	18	16	12	
10	-	12	16	16	12	
12	-	16	14	12	No se recomienda	

### 3) SEGURIDAD PERSONAL

- a) Permanezca alerta, controle lo que está haciendo y utilice el sentido común cuando emplee una herramienta eléctrica. No utilice una herramienta eléctrica si está cansado o bajo el efecto de drogas, alcohol o medicamentos.** Un momento de descuido mientras se opera una herramienta eléctrica podría provocar daños personales graves.
- b) Use equipo de seguridad. Siempre utilice protección para los ojos.** El equipo de seguridad, como las máscaras para polvo, el calzado de seguridad antideslizante, los cascos o la protección auditiva utilizados para condiciones adecuadas reducirán las lesiones personales.
- c) Evite el encendido por accidente. Asegúrese de que el interruptor esté en la posición de apagado antes de enchufar la herramienta.** Transportar herramientas eléctricas con su dedo apoyado sobre el interruptor o enchufar herramientas eléctricas con el interruptor en posición de encendido puede propiciar accidentes.
- d) Retire las clavijas de ajuste o llaves de tuercas antes de encender la herramienta eléctrica.** Una llave de tuercas o una clavija de ajuste que se deje conectada a una pieza giratoria de la herramienta eléctrica pueden provocar lesiones personales.
- e) No se estire. Conserve el equilibrio adecuado y manténgase parado correctamente en todo momento.** Esto permite un mejor control de la herramienta eléctrica en situaciones inesperadas.
- f) Vístase apropiadamente. No use ropas holgadas ni joyas. Mantenga el cabello, las ropas y los guantes alejados de las piezas móviles. Las ropas holgadas, las joyas o el cabello largo pueden quedar atrapados en las piezas móviles.** Los orificios de ventilación suelen cubrir piezas móviles, por lo que también se deben evitar.
- g) Si se suministran dispositivos para la conexión de accesorios para la recolección y extracción de polvo, asegúrese de que estén conectados y se utilicen correctamente.** El uso de estos dispositivos puede reducir los peligros relacionados con el polvo.

#### 4) USO Y MANTENIMIENTO DE LA HERRAMIENTA ELÉCTRICA

- a) No fuerce la herramienta eléctrica. Utilice la herramienta eléctrica correcta para el trabajo que realizará.** La herramienta eléctrica correcta hará el trabajo mejor y más seguro a la velocidad para la que fue diseñada.
- b) No utilice la herramienta eléctrica si no puede encenderla o apagarla con el interruptor.** Toda herramienta eléctrica que no puede ser controlada mediante el interruptor es peligrosa y debe ser reparada.
- c) Desconecte el enchufe de la fuente de energía y/o el paquete de baterías de la herramienta eléctrica antes de realizar ajustes, cambiar accesorios o almacenar herramientas eléctricas.** Estas medidas de seguridad preventivas reducen el riesgo de encender la herramienta eléctrica en forma accidental.
- d) Guarde las herramientas eléctricas que no están en uso fuera del alcance de los niños y no permite que otras personas no familiarizadas con ella o con estas instrucciones operen la herramienta.** Las herramientas eléctricas son peligrosas en las manos de usuarios no entrenados.
- e) Mantenimiento de las herramientas eléctricas. Controle que no haya piezas móviles mal alineadas o trabadas, piezas rotas y toda otra situación que pueda afectar el funcionamiento de las herramientas eléctricas. Si encuentra daños, haga reparar la herramienta eléctrica antes de utilizarla.** Se producen muchos accidentes a causa de las herramientas eléctricas que carecen de un mantenimiento adecuado.
- f) Mantenga las herramientas de corte afiladas y limpias.** Las herramientas de corte con mantenimiento adecuado, con los bordes de corte afilados son menos propensas a trabarse y son más fáciles de controlar.
- g) Utilice la herramienta eléctrica, los accesorios y las brocas de la herramienta, etc. de acuerdo con estas instrucciones y de la forma prevista para el tipo de herramienta eléctrica en particular, teniendo en cuanta las condiciones de trabajo y el trabajo que debe realizarse.** El uso de la herramienta eléctrica para operaciones diferentes de aquéllas para las que fue diseñada puede provocar una situación peligrosa.

#### 5) MANTENIMIENTO

- a) Haga que una persona de reparaciones calificada realice el mantenimiento de su herramienta eléctrica y utilice piezas de repuesto idénticas solamente.** Esto garantizará la seguridad de la herramienta eléctrica.
- b) Si necesita un cable de alimentación de repuesto,** debe adquirirlo a través del fabricante o su agente para evitar un riesgo de seguridad.

**▲ADVERTENCIA: Algunas partículas originadas al lijar, aserrar, amolar, taladrar y realizar otras actividades de construcción contienen productos químicos que producen cáncer, defectos de nacimiento y otros problemas reproductivos. Algunos ejemplos de estos productos químicos son:**

- el plomo de las pinturas de base plomo,
- la sílice cristalina de ladrillos, cemento y otros productos de mampostería,
- el arsénico y el cromo de la madera con tratamiento químico (CCA).

El riesgo derivado de estas exposiciones varía según la frecuencia con la que se realice este tipo de trabajo. Para reducir la exposición a estos productos químicos: se recomienda trabajar en áreas bien ventiladas y usar equipos de seguridad aprobados, como las máscaras para polvo especialmente diseñadas para filtrar las partículas microscópicas.

- Evite el contacto prolongado con las partículas de polvo originadas al lijar, aserrar, esmerilar, taladrar y realizar demás actividades de la construcción. Use indumentaria protectora y lave las áreas expuestas con agua y jabón.** Evite que el polvo entre en la boca y en los ojos o se deposite en la piel, para impedir la absorción de productos químicos nocivos.

**▲ADVERTENCIA:** El uso de esta herramienta puede generar o dispersar partículas de polvo, que pueden causar lesiones respiratorias permanentes y graves u otras lesiones. Use siempre protección respiratoria aprobada por NIOSH/OSHA (Instituto Nacional de Salud y Seguridad Ocupacional de EE.UU./Administración de la Salud y Seguridad Ocupacional de EE.UU.) apropiada para la exposición al polvo. Aleje las partículas de la cara y el cuerpo.

**▲PRECAUCIÓN:** Utilice la protección auditiva apropiada mientras usa la herramienta. En ciertas condiciones y según el período de uso, el ruido provocado por este producto puede llevar a la pérdida de audición.

La etiqueta de su herramienta puede incluir los siguientes símbolos.

V.....voltios	A .....amperios
Hz.....hertz	W.....vatios
min.....minutos	~ .....corriente alternante
== .....corriente directa	no .....velocidad sin carga
<span>□</span> .....Construcción Clase II	<span>⊕</span> .....terminal a tierra
<span>▲</span> .....símbolo de alerta de seguridad	.../min ..... .revoluciones u oscilaciones por minuto

#### Motor

Asegúrese de que el suministro de energía concuerde con lo marcado en la placa. CA de 120 voltios solamente significa que su herramienta funcionará con la energía doméstica estándar de 60 Hz. No haga funcionar herramientas para corriente alterna (CA) con corriente directa (CD). Una capacidad nominal de 120 voltios CA/CD significa que su herramienta funcionará con energía estándar de 60 Hz CA o CD. Esta información está impresa en la placa. Un voltaje menor producirá pérdida de potencia y puede provocar sobrecalentamiento. Todas las herramientas Black & Decker se prueban en fábrica. Si esta herramienta no funciona, controle el suministro eléctrico.

#### Características - Figura A

- Interruptor de Encendido/Apagado
- Tapa del depósito de aserrín
- Depósito de aserrín
- Salida de extracción de polvo
- Base lijadora
- Palanca de la pieza para sujetar el papel

### Lijado de pintura de base plomo

**NO SE RECOMIENDA** lijar pintura de base plomo debido a la dificultad para controlar el polvo contaminado. El peligro mayor de envenenamiento por plomo es para los niños y las mujeres embarazadas.

Como es difícil identificar si una pintura contiene o no plomo sin realizar análisis químicos, recomendamos tomar las siguientes precauciones al lijar cualquier pintura:

#### Seguridad personal

- Ningún niño o mujer embarazada debe ingresar al área de trabajo donde se está lijando la pintura hasta que se haya terminado la limpieza final.
- Todas las personas que ingresan al área de trabajo deben usar una máscara para polvo o una mascarilla de respiración. El filtro se debe cambiar diariamente o toda vez que el usuario tenga dificultad para respirar.
- NOTA:** Sólo se deben usar aquellas máscaras para polvo apropiadas para trabajar con polvo y vapores de pintura de base plomo. Las máscaras comunes para pintar no ofrecen esta protección. Consulte a su comerciante local sobre la máscara apropiada (aprobada por NIOSH).
- NO SE DEBE COMER, BEBER O FUMAR** en el área de trabajo para evitar ingerir partículas de pintura contaminada. Los trabajadores se deben lavar y limpiar **ANTES** de comer, beber o fumar. No se deben dejar artículos para comer, beber o fumar en el área de trabajo donde se podría depositar polvo sobre ellos.

#### Seguridad ambiental

- La pintura debe ser retirada de forma tal de reducir al mínimo la cantidad de polvo generado.
- Las áreas donde se realiza remoción de pintura deben estar selladas con hojas de plástico de 4 milésimas de pulgada de espesor.
- El lijado se debería realizar de manera de reducir los vestigios de polvo de pintura fuera del área de trabajo.

#### Limpieza y eliminación

- Todas las superficies del área de trabajo deben ser limpiadas cuidadosamente y repasadas con aspiradora todos los días mientras dure el proyecto de lijado. Se deben cambiar con frecuencia las bolsas de filtro de la aspiradora.
- Las telas plásticas del piso se deben recoger y eliminar junto con cualquier resto de polvo u otros residuos del lijado. Deben colocarse en recipientes de desperdicios sellados y eliminarse por medio de los procedimientos normales de recolección de residuos. Durante la limpieza, los niños y las mujeres embarazadas deben mantenerse lejos del área de trabajo inmediata.
- Todos los juguetes, muebles lavables y utensilios utilizados por los niños deben ser lavados cuidadosamente antes de ser utilizados nuevamente.

## Ensamblaje

**Advertencia: Para reducir el riesgo de lesiones, asegúrese de que la herramienta esté apagada y desenchufada antes de realizar cualquiera de los siguientes ensamblajes.**

#### Montaje de las hojas de lija (fig. B )

- Ablande el papel de lija rozando el lado no abrasivo sobre el borde de una mesa de trabajo.
- Presione las palancas de la pieza para sujetar el papel (6) hacia arriba para liberarlas de las ranuras de retención y abra las piezas de sujeción del papel presionándolas hacia abajo.
- Coloque la hoja en la base para lijar.
- Inserte el borde de la hoja de lija en el frente de la pieza de sujeción del papel como se muestra.
- Presione la palanca de la pieza para sujetar el papel frontal (6) hacia abajo y colóquela en la ranura de retención.
- Mientras mantiene la hoja ligeramente tensionada, inserte el extremo posterior de la hoja en la pieza de sujeción del papel trasera.
- Presione la palanca de la pieza de sujeción del papel trasera (6) hacia abajo y colóquela en la ranura de retención.

#### Perforación de las hojas de lija (fig. C)

El punzón para papel (7) se utiliza para perforar orificios de extracción de polvo en las hojas de lija que no tienen orificios perforados previamente.

#### Colocación de una hoja de lija

- Sostenga la herramienta en lugar justo sobre el punzón para papel (7).
- Presione la herramienta con la base lijadora (5) hacia abajo en el punzón para el papel.
- Retire la herramienta del punzón para papel (7) y verifique si los orificios en la hoja de lija se perforaron por completo.

#### Colocación y retiro del depósito de aserrín (fig. D)

- Coloque el depósito de aserrín (3) sobre la salida de extracción de polvo (4).
- Para retirar el depósito de aserrín (3), tire el depósito hacia atrás y afuera de la salida (4).

## OPERACIÓN

**Advertencia: Para reducir el riesgo de lesiones, permita que la herramienta trabaje a su propio ritmo. No la sobrecargue.**

### Encendido y apagado (fig. E)

- Para encender la herramienta, oprima la parte del interruptor de encendido/apagado (1) marcada con la letra 'I'.
- Para apagar la herramienta, oprima la parte del interruptor de encendido/apagado (1) marcada con la letra 'O'.

#### Vaciado del depósito de aserrín (fig. D)

- El depósito de aserrín debe vaciarse cada 10 minutos.
- Tire el depósito de aserrín (3) hacia atrás y afuera de la herramienta.
- Retire la tapa (2) girándola en el sentido contrario a las agujas del reloj.
- Sostenga el depósito de aserrín con los filtros (8) hacia abajo y sacuda el depósito (3) para vaciar su contenido.
- Sacuda la tapa (2) para vaciar el contenido.
- Vuelva a colocar la tapa (2) sobre el depósito de aserrín (3), gírela en el sentido de las agujas del reloj hasta que se ajuste en su lugar.
- Coloque el depósito de aserrín (3) en la herramienta.

