



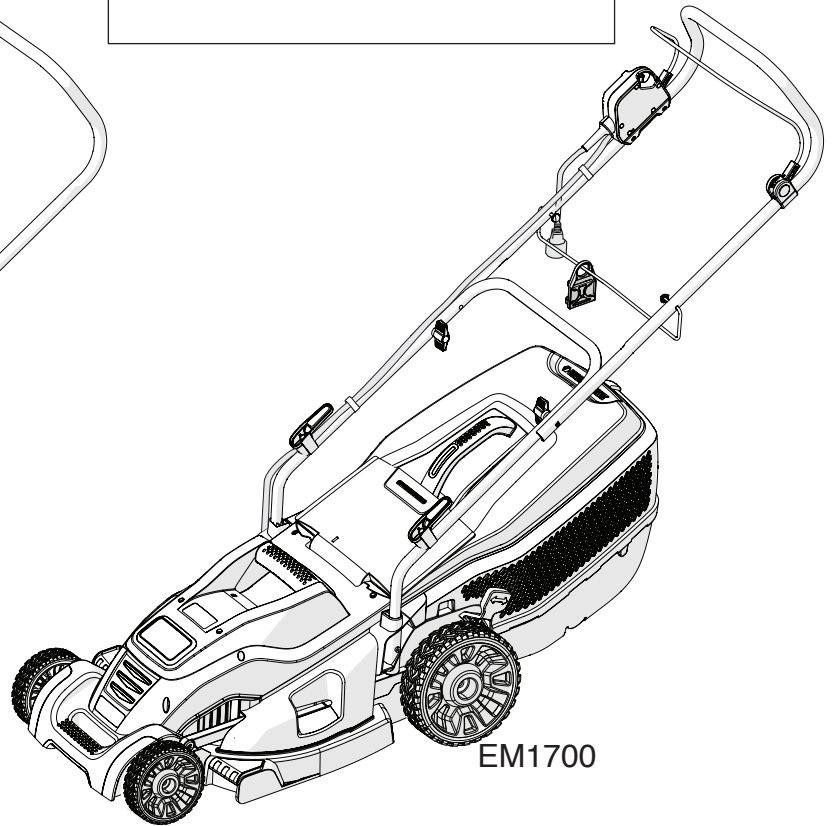
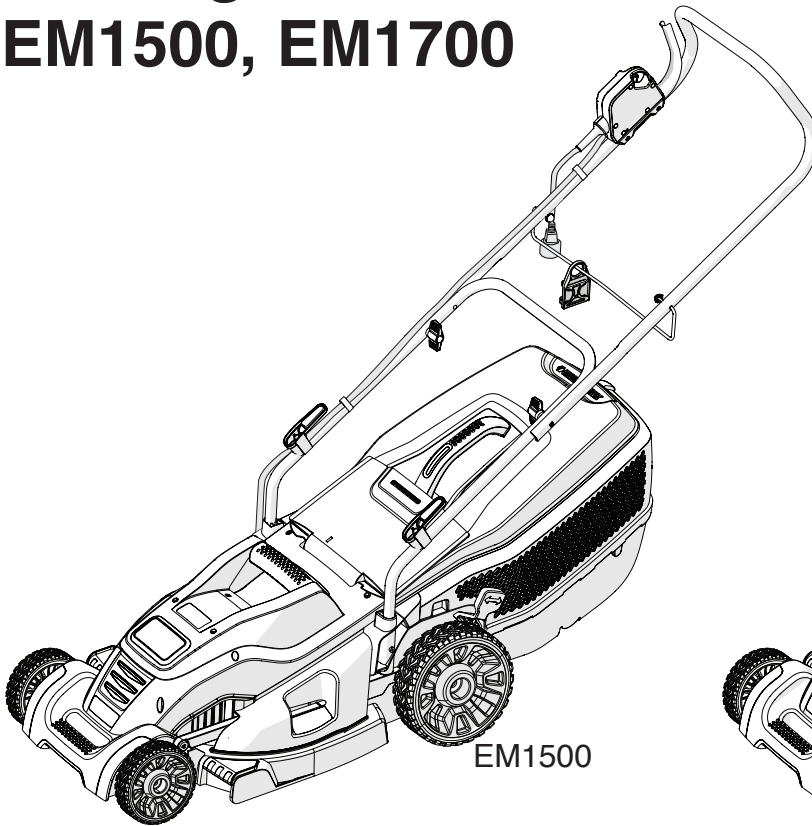
BLACK & DECKER®

15 INCH (381MM) / 17 INCH (432MM) CORDED MOWER

INSTRUCTION MANUAL

**Catalog Number
EM1500, EM1700**

Date Code:



KEY INFORMATION YOU SHOULD KNOW:

- Do not operate mower unless handle is locked into position.
- For best cutting results, keep blade sharpened and balanced.
- Inspect and thoroughly clean your mower after each use (a deck with caked grass will degrade performance).
- Make sure mowing area is clear of other persons or pets prior to starting and during operation.

Thank you for choosing Black & Decker!

Go to www.BlackandDecker.com/NewOwner to register your new product.

PLEASE READ BEFORE RETURNING THIS PRODUCT FOR ANY REASON:

If you have a question or experience a problem with your Black & Decker purchase, go to

[HTTP://WWW.BLACKANDDECKER.COM/INSTANTANSWERS](http://WWW.BLACKANDDECKER.COM/INSTANTANSWERS)

for instant answers 24 hours a day. If you can't find the answer or do not have access to the internet, call 1-800-544-6986 from 8 a.m. to 5 p.m. EST Mon. - Fri. to speak with an agent. Please have the catalog number available when you call.

VEA EL ESPAÑOL EN LA CONTRAPORTADA.

INSTRUCTIVO DE OPERACIÓN, CENTROS DE SERVICIO Y PÓLIZA DE GARANTÍA. **ADVERTENCIA:** LÉASE ESTE INSTRUCTIVO ANTES DE USAR EL PRODUCTO.

SAVE THIS INSTRUCTION MANUAL FOR FUTURE REFERENCE.

SAFETY GUIDELINES - DEFINITIONS

It is important for you to read and understand this manual. The information it contains relates to protecting YOUR SAFETY and PREVENTING PROBLEMS. The symbols below are used to help you recognize this information.



DANGER: Indicates an imminently hazardous situation which, if not avoided, will result in death or serious injury.



WARNING: Indicates a potentially hazardous situation which, if not avoided, could result in death or serious injury.



CAUTION: Indicates a potentially hazardous situation which, if not avoided, may result in minor or moderate injury.

NOTICE: Used without the safety alert symbol indicates potentially hazardous situation which, if not avoided, may result in property damage.

The following are explanations of important safety hazard pictorials on the mower.



1. User must read and understand the instruction manual.



2. To avoid the risk of serious injury do not mow up and down slopes. Always mow across slopes.



3. To avoid the risk of injury to bystanders keep all persons and pets at a safe distance from the mower while operating.



4. Rotating blades can cause serious injury. Keep hands and feet clear of mower deck and discharge opening at all times. Always be sure blade has stopped. Wait for the blade to stop rotating (approximately 3 seconds) after releasing bail handle or switch lever (2). Unplug mower before removing or replacing grass catcher, cleaning, servicing, transporting or lifting the mower.



5. Objects struck by mower blade can cause serious injury. Stay behind the handle when the motor is running. Always ensure persons and pets are clear of the discharge from the mower while operating. Always inspect mowing area before mowing and remove objects

that could be thrown by blade. Release bail handle (switch lever) (2) to turn mower off and wait for the blade to stop rotating (approximately 3 seconds) before crossing walk, roads, patio and gravel drives.

WARNING: IMPORTANT SAFETY WARNINGS AND INSTRUCTIONS

WARNING: When using electric lawn mowers, basic safety precautions should always be followed to reduce the risk of fire, electric shock, and personal injury, including the following:

READ ALL INSTRUCTIONS

TO REDUCE RISK OF INJURY:

- Before any use, be sure everyone using this tool reads and understands all safety instructions and other information contained in this manual.
- Save these instructions and review frequently prior to use and in instructing others.

DANGER: IMPORTANT SAFE PRACTICES FOR WALK-BEHIND MOWERS

This mower is capable of amputating hands and feet and throwing objects. Failure to observe the following safety instructions could result in serious injury or death.

GENERAL OPERATION

1. Read, understand, and follow all instructions on the mower and in the instruction manual before starting.
2. Do not put hands or feet near or under the mower. Keep clear of the discharge opening at all times.
3. Only allow responsible adults, who are familiar with the instructions, to operate this mower.
4. Clear the area where the mower is to be used of objects such as rocks, sticks, wire, toys, bones, etc., which could be thrown by the blade. Objects struck by the blade can cause severe injury to persons. Stay behind the handle when the motor is running.
5. Be sure the area surrounding the mower is clear of bystanders before operating. All bystanders and pets should be kept at a safe distance. Stop the mower if anyone enters the area surrounding the mower.
6. Do not operate mower barefooted or while wearing sandals. Always wear substantial footwear.
7. Do not pull mower backward unless absolutely necessary. Always look down and behind before and while moving backward.
8. Never direct discharged material toward anyone. Avoid discharging material against a wall or obstruction. Material may ricochet back toward the operator. Release bail handle (switch lever) (2) to turn mower off and stop the blade when crossing gravel surfaces.

9. Do not operate mower without the entire grass catcher, discharge guard, rear guard, or other safety protective devices in place and working. Periodically check all guards and safety protective devices to ensure they are in good working order and will operate properly and perform their intended function. Replace a damaged latch, guard or other safety device before further use.
10. Never leave a running mower unattended.
11. Always release the bail handle or switch lever (2) to stop the motor and wait until the blade comes to a complete stop and unplug the mower before cleaning the mower, removing the grass catcher, un-clogging the discharge guard, when leaving the mower, or before making any adjustments, repairs or inspections.
12. Operate mower only in daylight or good artificial light when objects in the path of the blade are clearly visible from the operating area of the mower.
13. Do not operate mower while under the influence of alcohol or drugs, or when you are tired or ill. Always stay alert, watch what you are doing, and use common sense.
14. Avoid dangerous environments. Never operate mower in damp or wet grass, never use mower in the rain. Always be sure of your footing; walk; never run.
15. Disengage the drive system, if so equipped, before starting the motor.
16. If the mower should start to vibrate abnormally, release the bail handle or switch lever (2), wait for the blade to stop and unplug mower, then check for the cause immediately. Vibration is generally a warning of trouble.
17. Always wear proper eye and respiratory protection when operating the mower.
18. The use of any accessory or attachment not recommended for use with this mower could be hazardous. Only use accessories approved by Black & Decker.
19. Never overreach while operating the mower. Always be sure to keep proper footing and balance at all times while operating the mower.

SLOPE OPERATION

Slopes are a major factor related to slip and fall accidents, which can result in severe injury. Operation on all slopes requires extra caution. If you feel uneasy on a slope, do not mow it.

1. Mow across the face of slopes; never up and down. Exercise extreme caution when changing direction on slopes.
2. Watch for holes, ruts, bumps, rocks, or other hidden objects. Uneven terrain could cause a slip and fall accident. Tall grass can hide obstacles.
3. Do not mow on wet grass or excessively steep slopes. Poor footing could cause a slip and fall accident.
4. Do not mow near drop-offs, ditches, or embankments. You could lose your footing or balance.

CHILDREN

Tragic accidents can occur if the operator is not alert to the presence of children. Children are often attracted to the mower and the mowing activity. Never assume that children will remain where you last saw them.

1. Keep children out of the mowing area and under the watchful care of a responsible adult other than the operator.
2. Be alert and turn mower off if a child enters the area.
3. Never allow children to operate the mower.
4. Use extra care when approaching blind corners, shrubs, trees, or other objects that may block your view of a child.

GENERAL SERVICE

1. Never operate mower in a closed area.
2. Keep all nuts and bolts tight to be sure the equipment is in safe working condition.
3. Never tamper with safety devices. Check their proper operation regularly.
4. Keep mower free of grass, leaves, or other debris build-up. Allow mower to cool before storing.
5. If you strike a foreign object, release bail handle or switch lever (2) to turn mower off, wait for the blade to stop and unplug mower, then inspect the mower. Repair, any damage, before starting and operating the mower.
6. Never make any adjustments or repairs with the motor running or while the mower is plugged in.
7. Always unplug mower before adjusting, cleaning, repairing, inspecting, transporting, storing or leaving the mower.
8. Check grass catcher components and the discharge guard frequently and

- when necessary replace with Black & Decker recommended parts only.
- Mower blades are sharp. Wrap the blade or wear gloves, and use extra caution when servicing them.
 - Maintain or replace safety and instruction labels, as necessary.

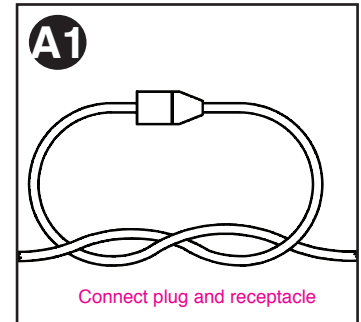
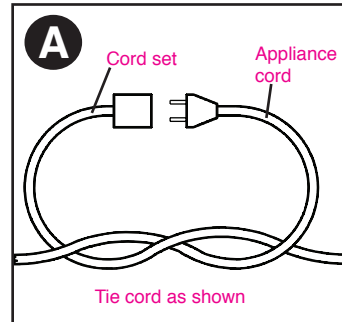
This device complies with Part 15 of the FCC Rules. Operation is subject to the following two conditions: (1) this device may not cause harmful interference, and (2) this device must accept any interference received, including interference that may cause undesired operation.

NOTE: This equipment has been tested and found to comply with the limits for Class B digital device, pursuant to part 15 of the FCC Rules. These limits are designed to provide reasonable protection against harmful interference in a residential installation. This equipment generates, uses and can radiate radio frequency energy and, if not installed and used in accordance with the instructions, may cause harmful interference to radio communications. However, there is no guarantee that interference will not occur in a particular installation. If this equipment does cause harmful interference to radio or television reception, which can be determined by turning the equipment off and on, the user is encouraged to try to correct the interference by one or more of the following measures:

- Reorient or relocate the receiving antenna.
- Increase the separation between the equipment and the receiver.
- Connect the equipment into an outlet on a circuit different from that to which the receiver is connected.
- Consult the dealer or an experienced radio/TV technician for help.

Changes or modifications to this unit not expressly approved by the party responsible for compliance could void the user's authority to operate the equipment. This Class B digital apparatus complies with Canadian ICES-003.

Volts	Minimum Gauge for Cord Sets			
	Total Length of Cord in Feet			
120V	0-25	26-50	51-100	101-150
	(0-7,6m)	(7,6-15,2m)	(15,2-30,4m)	(30,4-45,7m)
240V	0-50	51-100	101-200	201-300
	(0-15,2m)	(15,2-30,4m)	(30,4-60,9m)	(60,9-91,4m)
Ampere Rating				
More Than	Not more Than	American Wire Gauge		
0	- 6	18	16	16 14
6	- 10	18	16	14 12
10	- 12	16	16	14 12
12	- 16	14	12	Not Recommended



FOR ALL DOUBLE-INSULATED LAWN MOWERS

1. Replacement Parts

When servicing use only identical replacement parts.

2. Polarized Appliance Connections

To reduce the risk of electric shock, this appliance has a polarized plug (one blade is wider than the other) and will require the use of a polarized extension cord. The appliance plug will fit into a polarized extension cord only one way. If the plug does not fit fully into the extension cord, reverse the plug. If the plug still does not fit, obtain a correct polarized extension cord. A polarized extension cord will require the use of a polarized wall outlet. This plug will fit into the polarized wall outlet only one way. If the plug does not fit fully into the wall outlet, reverse the plug. If the plug still does not fit, contact a qualified electrician to install the proper wall outlet. Do not change the equipment plug, extension cord receptacle, or extension cord plug in any way.

⚠ WARNING: GENERAL SAFETY WARNINGS AND INSTRUCTIONS FOR ALL MOWERS

- THIS TOOL CAN BE DANGEROUS.** Follow all warnings and Safety Instructions in this manual. The operator is responsible for following warnings and instructions in this manual and on unit. Restrict use of this mower to persons who read, understand and follow warnings and instructions in this manual and on unit.
- Avoid Dangerous Environment** – Don't use lawn mowers in damp or wet locations.
- Don't Use In Rain.**
- Keep Children Away** – All visitors should be kept a safe distance from work area.
- Dress Properly** – Do not wear loose clothing or jewelry. They can be caught in moving parts. Use of rubber gloves and footwear is recommended when working outdoors.
- Use Safety Glasses** – Always use face or dust mask if operation is dusty.
- Use Right Appliance** – Do not use lawn mower for any job except that for which it is intended.
- Ground Fault Circuit Interrupter (GFCI) protection** should be provided on the circuit(s) or outlet(s) to be used for the lawn mower. Receptacles are available having built-in GFCI protection and may be used for this measure of safety.

⚠ **WARNING:** To prevent electric shock use only with an extension cord suitable for outdoor use, such as SW, SOW, STW, STOW, SJW, SJOW, SJTW, or SJTOW.

• USE OF EXTENSION CORDS

Make sure the extension cord is in good condition before using. Always use the proper size extension cords with the tool – that is, proper wire size for various lengths of cord and heavy enough to carry the current the tool will draw. Use of an undersized cord will cause a drop in line voltage resulting in loss of power and overheating. For proper size cords see chart below. To reduce the likelihood of disconnection of lawn mower cord from the cord set during operating:

- Make a knot as shown in Figures A and A1, or
- Use one of the plug-receptacle retaining straps or connectors described in this manual.

- Don't Abuse Cord** – Never pull lawn mower by cord or yank it to disconnect from receptacle. Keep cord from heat, oil, and sharp edges.
- Don't Force Lawn Mower** – It will do the job better and safer at the rate for which it was designed.
- Don't Overreach** – Keep proper footing and balance at all times.
- Stay Alert** – Watch what you are doing. Use common sense. Do not operate lawn mower when you are tired.
- Disconnect Lawn Mower** – Disconnect the lawn mower from the power supply when not in use, before servicing, when changing accessories such as blades, and the like.
- Store Idle Lawn Mower Indoors** – When not in use, lawn mower should be stored in an indoor dry and locked-up place – out of reach of children.
- Maintain Lawn Mower With Care** – Keep cutting edges sharp and clean for best and safest performance. Follow instructions for lubricating and changing accessories. Inspect lawn mower cord periodically and if damaged, have it repaired by an authorized service facility. Inspect extension cords periodically and replace if damaged. Keep handles dry, clean, and free from oil and grease.
- Keep guards in place and in working order.**
- Keep blades sharp.**
- Keep hands and feet away from cutting area.**
- Objects struck by the lawn mower blade can cause severe injuries to persons.** The lawn should always be carefully examined and cleared of all objects prior to each mowing.
- If lawn mower strikes a foreign object, follow these steps:**
 - Stop lawn mower. Release the switch
 - Unplug power cord.
 - Inspect for damage.
 - Repair any damage before restarting and operating the lawn mower.
- Use identical replacement blades only**

SAVE THESE INSTRUCTIONS

⚠ DANGER: ADDITIONAL WARNINGS FOR MOWERS

- CHECK FOR DAMAGED PARTS.** Before further use of the mower, a guard or other part that is damaged should be carefully checked to determine that it will operate properly and perform its intended function. Check for alignment of moving parts, binding of moving parts, breakage of parts, mounting, and any other conditions that may affect their operation. A guard or other part that is damaged should be properly repaired or replaced by an authorized service center unless otherwise indicated elsewhere in this manual.
- REPAIRS AND SERVICE.** Repairs, maintenance and any adjustments not specified in this manual should be performed by Black & Decker authorized service centers or other qualified service organizations, always using identical replacement parts.

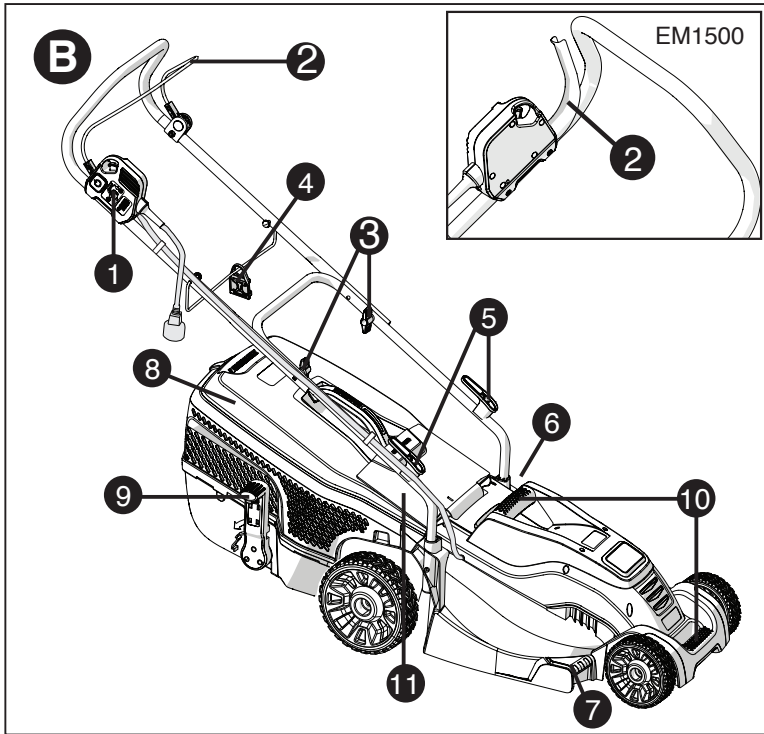
⚠ **WARNING:** Some dust created by this product contains chemicals known to the State of California to cause cancer, birth defects or other reproductive harm. Some examples of these chemicals are:

- compounds in fertilizers
- compounds in insecticides, herbicides and pesticides
- arsenic and chromium from chemically treated lumber

To reduce your exposure to these chemicals, wear approved safety equipment such as dust masks that are specially designed to filter out microscopic particles.

FUNCTIONAL DESCRIPTION (FIG. B)

- 1.) Switch box
- 2.) Bail Handle (EM1700), Switch lever (EM1500)
- 3.) Handle knobs
- 4.) Cable management system
- 5.) Cable holders
- 6.) Height adjustment lever (not shown)
- 7.) EdgeMax™
- 8.) Grass collection box
- 9.) Compact lever
- 10.) Carrying handles
- 11.) Clear rear flap



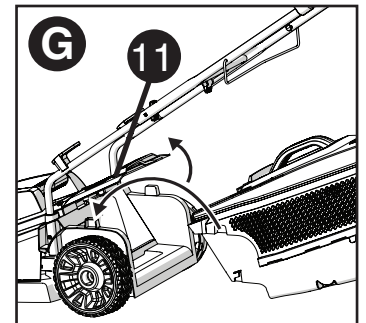
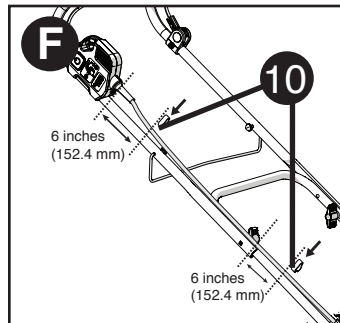
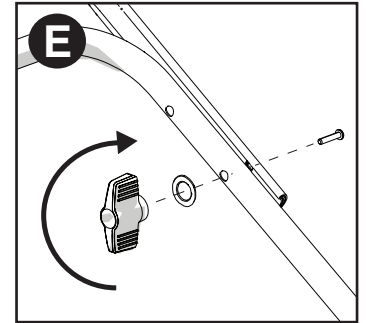
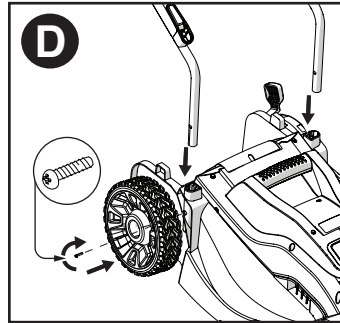
SECURING THE MOTOR CABLE (FIG. F)

The motor cable has to be fixed using the cable restraints.

- To clip the cable to the handle, snap a restraint clip (10) around the cable and upper handle about 6 inches (152.4mm) below the switch box (1).
- Snap the second restraint clip around the cable and lower handle about 6 inches (152.4mm) below the handle knob (3).

FITTING THE GRASS COLLECTION BOX (FIG. G)

- Lift the clear grass flap (11) and place the grass collection box (8) over the lugs.



ASSEMBLY

⚠WARNING: Before assembly, make sure that the appliance is switched off and unplugged.

ASSEMBLING THE GRASS COLLECTION BOX (FIG. C)

⚠WARNING: Under normal usage, the collection box assembly is subject to deterioration and wear and should, therefore, be frequently checked for replacement. Any replacement assembly should be checked for compliance with Black and Decker recommendations.

The grass box (8) requires assembly before use and comes in 5 pieces.

- Clip the handle (8a) into the lid (8b) of the grass box. The handle will only fit one way.
- Clip the 2 sides (8c) of the grass collection box together. Make sure that all clips and guides are aligned.
- Align the assembled sides onto the bottom (8d) of the grass collection box. Ensure that the 4 guides are aligned.
- Push the 2 parts together. Apply even force around all edges of the grass collection box securing the clips into position uniformly. Check that each clip is fastened together securely.
- Align the lid (8b) onto the assembled grass collection box. Ensure that the 10 guides are aligned.

NOTE: Take extra care when aligning the 2 clips at the rear of the grass collection box.

- Push down on the lid to secure all clips. Begin at the back and ensure that all clips are securely located.

FITTING THE LOWER HANDLE (FIG. D)

- Insert the ends of the lower handle into the corresponding holes in the mower.
- Press the handle down as far as it will go.
- Secure the handle using the screws.

ASSEMBLING THE UPPER HANDLE (FIG. E)

- Fit the upper handle part to the lower handle using the handle storage knobs (3), washers and screws as shown.

OPERATION

READ THIS INSTRUCTION MANUAL AND SAFETY RULES BEFORE OPERATING YOUR MOWER. See "Functional Description" to familiarize yourself with the location of various controls and adjustments. Save this manual for future reference.

⚠WARNING: ROTATING BLADES CAN CAUSE SERIOUS INJURY. TO PREVENT SERIOUS INJURY, UNPLUG MOWER WHEN UNATTENDED, CLEANING, SERVICING, TRANSPORTING, LIFTING, OR STORING MOWER.

⚠WARNING: Sharp moving blade. Do not operate the mower if the rear door is not closed under spring tension as serious injury could result. Take your mower to the nearest service center for repair.

⚠WARNING: Sharp moving blade. Never operate the mower unless the hanger hooks on the grass catcher are seated properly on the mower and the rear discharge door rests firmly against the top of the grass catcher as serious injury could result.

⚠WARNING: Do not operate mower without collection box (8) attached.

⚠WARNING: Let the appliance work at its own pace. Do not overload.

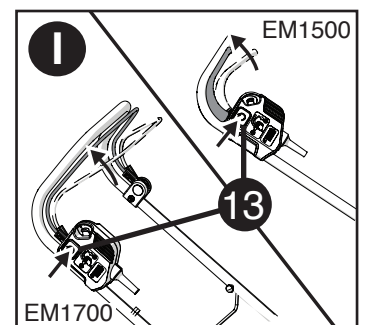
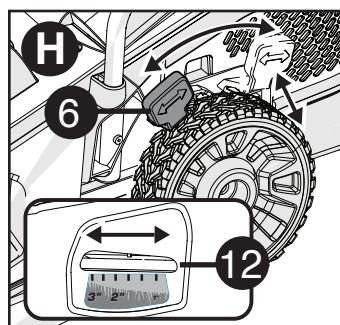
ADJUSTING THE HEIGHT OF CUT (FIG. H)

The height of cut is adjusted by the central height adjust mechanism, there are 6 positions to choose from.

To set the height of cut

- Pull the height adjustment lever (6) away from the body of the unit.
- Move the lever towards the rear of the appliance to lower the height of cut.
- Move the lever towards the front of the appliance to raise the height of cut.
- Push the height adjustment lever into one of the 6 height locations.

NOTE: The height of cut can be viewed on the height of cut gauge (12) on the side of the unit.



SWITCHING ON AND OFF (FIG. I)

⚠ DANGER: SHARP MOVING BLADE. NEVER ATTEMPT TO OVERRIDE THE OPERATION OF THE SWITCH AS SERIOUS INJURY COULD RESULT.

Switching on

- Push in and hold the lock-off button (13).
- Pull the bail handle (switch lever) (2) towards the handle.
- Release the lock-off button.

Switching off

- Release the bail handle (switch lever) (2).

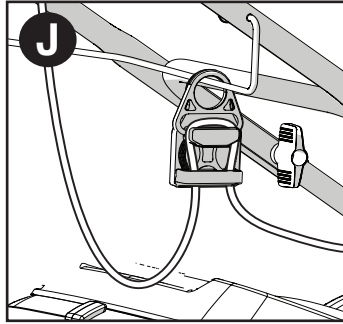
⚠ WARNING: Never attempt to lock a switch in the on position.

MOWING (FIG. J - K)

NOTE: ALWAYS INSPECT AREA WHERE MOWER IS TO BE USED AND REMOVE ALL STONES, STICKS, WIRE, BONES AND OTHER DEBRIS WHICH MIGHT BE THROWN BY THE ROTATING BLADE.

We recommend to use your mower as outlined in this section in order to achieve optimum results and to reduce the risk of cutting the main cable.

- Loop the mains cable through the cable management system (4) as shown (fig. J). Ensure you leave approximately 3 feet (100 cm) of cable between the switch-box (1) and the cable management system.
- Ensure that the cable management system can slide freely from one side to the other.



- Place the bulk of the cable on the lawn, close to the starting point (position 1 in fig. K).

- Switch the mower on as described above.

- Proceed as shown in fig. K.

- Move from position 1 to position 2.

- Turn right, stepping over the cable and proceed towards position 3. The cable management system will slide from one side to the other, ensuring the cable is kept away from the cutting blade.

- Turn left, stepping over the cable and move towards position 4. The cable will slide from one side of the handle to the other, ensuring the cable is kept away from the cutting blade.

- Repeat the above procedure as required.

⚠ WARNING: Do not work towards the cable as shown in fig. J1.

EDGEMAX™ (FIG. L)

EdgeMax™ (7) allows you to cut grass right up to the edge of a wall or fence (fig. L).

EdgeMax™ allows you to accurately cut grass right up to the edge of your lawn (fig. L1).

- With the lawnmower parallel with the edge of your lawn.
- Push the lawnmower along the edge of the lawn. Ensure that the EdgeMax™ is slightly over the edge of your lawn (fig. L1)

COMPACT&GO (FIG. M)

When the grass collection box is full, you can compact the grass in the collection box. You can determine how full the grass collection box is by looking through the clear grass flap (11).

- Release the bail handle or switch lever (2).
- Using your right foot, press the grass compaction lever (9) all the way down until it locks into place.

NOTE: The grass in the collection box is now compressed into the rear of the box. You may continue mowing until the grass collection box becomes full.

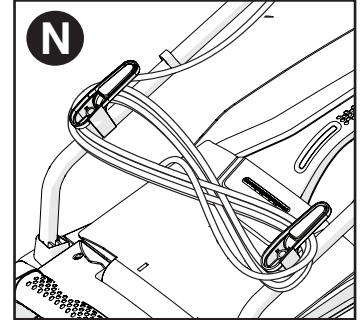
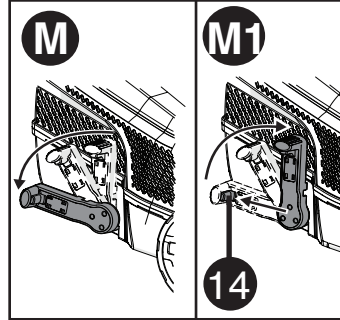
EMPTYING THE GRASS COLLECTION BOX (FIG. M1)

- Release the bail handle or switch lever (2) and unplug the mower.
- Remove the grass collection box (10).
- Empty the contents from the front of the box.
- Place the grass collection box on the ground and pull in and hold the grass compaction lever release button (14).
- Lift the grass compaction lever (9) into the vertical position and release the grass compaction lever release button.
- Empty the contents from the rear of the box.

CABLE STORAGE (FIG. N)

The cable holders (5) provide a safe and convenient way to store the cable when not in use.

- Wrap the cable around the cable holders in a figure eight pattern.



CARRYING THE MOWER

⚠ WARNING: Rotating blade can cause serious injury. Release bail handle or switch lever (2) to turn mower off and unplug mower before lifting, transporting, or storing the mower. Store in a dry place.

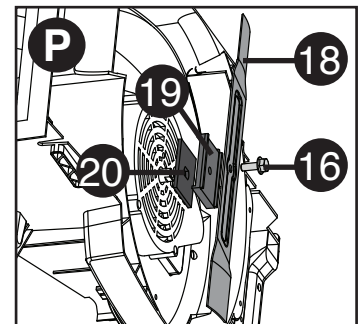
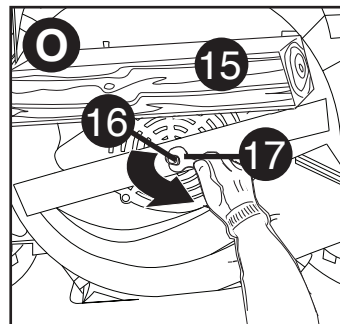
- The mower can be carried using the convenient carry handles (10).

REMOVING BLADE - (FIG. O - P)

⚠ WARNING: Ensure the blade has completely stopped and disconnect the mower from the power source.

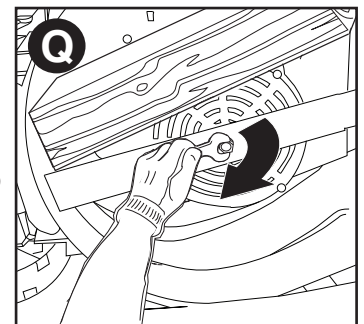
⚠ WARNING: Only use the specified replacement blade: EMB1500 (EM1500 mower) and EMB1700 (EM1700 mower)

- RELEASE BAIL HANDLE OR SWITCH LEVER (2) TO TURN MOWER OFF, WAIT FOR THE BLADE TO STOP, AND UNPLUG MOWER.
- Cut a piece of 2x4 wood (15) (about 1 foot long) (305 mm) to keep blade from turning while removing flange nut.
- Turn the appliance onto its side. Wear gloves and proper eye protection. Be careful of sharp edges of blade.
- Position piece of wood (15) to keep blade from turning as shown in figure O.
- Use a 9/16 inch wrench (17) to loosen and remove the blade bolt (16) by turning counterclockwise.
- Pull off blade (18), blade insulator (19), and spacer (20) as shown in Figure P. Examine all pieces for damage and replace if necessary.



INSTALLING BLADE (FIG. Q)

- Slide the blade onto bolt shaft with the lettering on the blade facing out, and place the blade bolt (16) onto the bolt shaft.
- Tighten the blade bolt as firmly as possible by hand.
- Position piece of wood (15) to keep blade from turning as shown in figure P. Install flange nut with the flange against the blade spacer and securely tighten.
- Use a 9/16 inch wrench to securely tighten the blade bolt by turning the wrench clockwise.



BLADE SHARPENING

KEEP BLADE SHARP FOR BEST MOWER PERFORMANCE. A DULL BLADE DOES NOT CUT GRASS CLEANLY OR MULCH PROPERLY. USE PROPER EYE PROTECTION WHILE REMOVING, SHARPENING, AND INSTALLING BLADE. ENSURE THAT THE MOWER IS UNPLUGGED.

Sharpening the blade twice during a mowing season is usually sufficient under normal circumstances. Sand causes the blade to dull quickly. If your lawn has sandy soil, more frequent sharpening may be required. REPLACE BENT OR DAMAGED BLADE IMMEDIATELY.

WHEN SHARPENING THE BLADE:

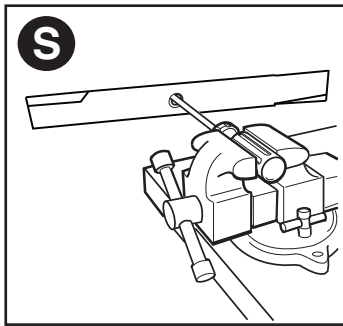
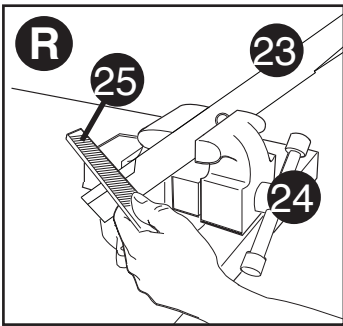
1. Make sure blade remains balanced.
2. Sharpen blade at the original cutting angle.
3. Sharpen cutting edges on both ends of blade, removing equal amounts of material from both ends.

TO SHARPEN BLADE IN A VISE (FIG. R):

1. Be sure the bail handle or switch lever (2) is released, the blade has stopped and the mower is unplugged.
2. Remove blade from mower. See instructions for removing and installing blade.
3. Secure blade (23) in a vise (24).
4. Wear proper eye protection and gloves and be careful not to cut yourself.
5. Carefully file the cutting edges of the blade with a fine tooth file (25) or sharpening stone, maintaining the original cutting edge.
6. Check balance of blade. See instructions for blade balancing.
7. Replace blade on mower and tighten securely.

BLADE BALANCING (FIG. S)

Check balance of blade (23) by placing center hole in blade over a nail or round shank screwdriver, clamped horizontally in a vise. If either end of the blade rotates downward, file that end. Blade is properly balanced when neither end drops.



LUBRICATION

No lubrication is necessary. Do not oil the wheels. They have plastic bearing surfaces which require no lubrication.

CLEANING

Release bail handle (switch lever) (2) to turn mower off, let the blade come to a stop and then unplug mower. Use only mild soap and a damp cloth to clean the mower. Clean out any clippings which may have accumulated on the underside of the deck. After several uses, check all exposed fasteners for tightness.

PREVENTING CORROSION

Fertilizers and other garden chemicals contain agents which greatly accelerate the corrosion of metals. If you mow in areas where fertilizers or chemicals have been used, the mower should be cleaned immediately afterward as follows: (1) Release bail handle (switch lever) (2) to turn mower off and unplug mower. Wipe all exposed parts with a damp cloth.

CAUTION: DO NOT POUR OR SPRAY WATER ON THE MOWER IN AN ATTEMPT TO CLEAN IT. Do not store the tool on or adjacent to fertilizers or chemicals. Such storage can cause rapid corrosion.

STORAGE POSITION

For more compact storing the mower can be stored in an upright position, with the handle folded over. Loosen the two lower knobs (5) and lower the upper handle section. Be careful not to pinch power cord. Tighten the two lower knobs.

CAUTION: Pinch point. To avoid being pinched, keep fingers away from area between handles when lowering.

HINTS FOR OPTIMUM USE

- If the grass is longer than approximately 4 inches (10 cm), make two cuts to obtain a better finish. First mow at maximum height of cut, then use a low or medium height of cut.
- In order to achieve optimum results, only mow dry grass.

MOWER OVERLOAD

To prevent damage due to overload conditions, do not try to cut too much grass at one time. Slow down your cutting pace, or raise the cut height.

MEETS CPSC SAFETY REQUIREMENTS

Black and Decker Mowers conform to the safety standards of the American National Standards Institute, and the U.S. Consumer Product Safety Commission. The Blade turns when the motor is running.

MAINTENANCE

IMPORTANT: To assure product SAFETY and RELIABILITY, repairs, maintenance and adjustment (including brush inspection and replacement) should be performed by BLACK & DECKER Service Centers or other qualified service organizations, always using Black & Decker replacement parts. When servicing use ONLY IDENTICAL REPLACEMENT PARTS.

ACCESSORIES

Recommended accessories for use with your mower are available from your local dealer or authorized service center. If you need assistance regarding accessories, please call: **1-800-544-6986**

WARNING: The use of any accessory not recommended for use with this tool could be hazardous.

Service Information

All Black & Decker Service Centers are staffed with trained personnel to provide customers with efficient and reliable power tool service. Whether you need technical advice, repair, or genuine factory replacement parts, contact the Black & Decker location nearest you. To find your local service location, call: **1-800-544-6986** or visit www.blackanddecker.com

Limited Two-Year Home Use Warranty

Black & Decker (U.S.) Inc. warrants this product for two years against any defects in material or workmanship. The defective product will be replaced or repaired at no charge in either of two ways.

The first, which will result in exchanges only, is to return the product to the retailer from whom it was purchased (provided that the store is a participating retailer). Returns should be made within the time period of the retailer's policy for exchanges (usually 30 to 90 days after the sale). Proof of purchase may be required. Please check with the retailer for their specific return policy regarding returns that are beyond the time set for exchanges.

The second option is to take or send the product (prepaid) to a Black & Decker owned or authorized Service Center for repair or replacement at our option. Proof of purchase may be required.

This warranty does not apply to accessories. This warranty gives you specific legal rights and you may have other rights which vary from state to state or province to province. Should you have any questions, contact the manager of your nearest Black & Decker Service Center. This product is not intended for commercial use.

FREE WARNING LABEL REPLACEMENT: If your warning labels become illegible or are missing, call **1-800-544-6986** for a free replacement.

LATIN AMERICA: This warranty does not apply to products sold in Latin America. For products sold in Latin America, check country specific warranty information contained in the packaging, call the local company or see the website for warranty information.

TROUBLESHOOTING

Problem	Possible Cause	Possible solution
• Machine fails to operate.	• Power turned off.	• Turn power on.
	• Fuse faulty/blown.	• Replace fuse.
• Machine functions intermittently.	• Grass too long.	• Increase the height of cut and move machine to shorter grass to start.
	• Thermal cut out activated.	• Allow motor to cool and increase height of cut.
	• Thermal cut out activated.	• Allow motor to cool and increase height of cut.
• Machine leaves ragged finish or motor labors.	• Height of cut too low.	• Increase height of cut.
	• Cutting blade blunt.	• Replace the blade.
	• Underside of machine clogged.	• Check underneath the machine and clear out as necessary (always wear heavy duty gloves).
	• Blade attached upside-down.	• Attach blade correctly.

Imported by
Black & Decker (U.S.) Inc.,
701 E. Joppa Rd.
Towson, MD 21286 U.S.A.





Tondeuse filaire de 381MM (15 po) / 432MM (17 po)

GUIDE D'UTILISATION

Modèle: EM1500, EM1700

Merci d'avoir choisi Black & Decker! Consulter le site Web www.BlackandDecker.com/NewOwner pour enregistrer votre nouveau produit.

À LIRE AVANT DE RETOURNER CE PRODUIT POUR QUELQUE RAISON QUE CE SOIT :

Si des questions ou des problèmes surgissent après l'achat d'un produit Black & Decker, consulter le site Web

[HTTP://WWW.BLACKANDDECKER.COM/INSTANTANSWERS](http://WWW.BLACKANDDECKER.COM/INSTANTANSWERS)

pour obtenir des réponses instantanément 24 heures par jour.




Si la réponse est introuvable ou en l'absence d'accès à l'Internet, composer le 1 800 544-6986 de 8 h à 17 h HNE, du lundi au vendredi, pour parler avec un agent. Prière d'avoir le numéro de catalogue sous la main lors de l'appel.

VOICI DES RENSEIGNEMENTS IMPORTANTS QU'IL VOUS FAUT CONNAÎTRE :

- Ne pas utiliser la tondeuse si la poignée n'est pas bloquée en position.
- Pour une meilleure coupe, maintenir la lame aiguisée et équilibrée.
- Examiner et nettoyer soigneusement la tondeuse après chaque utilisation (du gazon adhérent au châssis peut réduire le rendement).
- S'assurer que la surface à tondre est à l'écart de toute personne ou animal de compagnie avant de démarrer la tondeuse et en cours d'utilisation.

CONSERVER CE MANUEL POUR UN USAGE ULTÉRIEUR.

LIGNES DIRECTRICES EN MATIÈRE DE SÉCURITÉ - DÉFINITIONS Il est important que vous lisiez et compreniez ce mode d'emploi. Les informations qu'il contient concernent VOTRE SÉCURITÉ et visent à ÉVITER TOUT PROBLÈME. Les symboles ci-dessous servent à vous aider à reconnaître cette information.

-  **DANGER** : Indique une situation dangereuse imminente qui, si elle n'est pas évitée, causera la mort ou des graves blessures.
-  **AVERTISSEMENT** : Indique une situation potentiellement dangereuse qui, si elle n'est pas évitée, pourrait causer la mort ou de graves blessures.
-  **MISE EN GARDE** : Indique une situation potentiellement dangereuse qui, si elle n'est pas évitée, pourrait causer des blessures mineures ou modérées.
- AVIS** : Utilisé sans le symbole d'alerte à la sécurité, indique une situation potentiellement dangereuse qui, si elle n'est pas évitée, peut résulter en des dommages à la propriété.

Voici une explication des symboles de danger importants sur la tondeuse.

-  1. L'utilisateur doit lire et comprendre le mode d'emploi.
-  2. Pour réduire le risque de blessures graves, ne pas tondre les pentes de haut en bas ou de bas en haut. Toujours tondre les pentes en diagonale.
-  3. Pour éviter des blessures aux personnes et aux animaux à proximité, les garder à bonne distance de la tondeuse en cours de fonctionnement.
-  4. Des lames en mouvement (rotation) risquent de provoquer de graves blessures. Tenir les mains et les pieds éloignés du châssis et de l'ouverture de décharge de la tondeuse. Toujours s'assurer que la lame s'est arrêtée (attendre la fin de la rotation de la lame, soit environ 3 secondes après avoir relâché l'anse et retiré la clé de sûreté) avant de retirer et de replacer le collecteur d'herbe, de nettoyer, d'entretenir, de transporter ou de soulever la tondeuse.
-  5. Les objets percutés par la lame de la tondeuse peuvent provoquer de graves blessures. Se tenir derrière la poignée lorsque le moteur tourne. Toujours s'assurer que les personnes et les animaux de compagnie sont loin de la décharge de la tondeuse lors de son fonctionnement. Toujours inspecter la surface à tondre avant de commencer et retirer tout objet qui pourrait être projeté par la lame. Relâcher l'anse pour éteindre la tondeuse et attendre que la lame s'immobilise (environ 3 secondes) avant de traverser des allées, des routes, des patios et des allées gravellées.

⚠ AVERTISSEMENT : AVERTISSEMENTS DE SÉCURITÉ ET DIRECTIVES DE PREMIÈRE IMPORTANCE

⚠ **AVERTISSEMENT** : si des outils électriques de jardinage sont utilisés, des précautions de base en matière de sécurité doivent être suivies afin de réduire le risque d'incendie, de décharge électrique et de blessure corporelle, notamment les suivantes.

LIRE TOUTES CES DIRECTIVES

RÉDUCTION DES RISQUES ET DES BLESSURES :

- Avant tout usage, veiller à ce que tout utilisateur de cet outil lise et comprenne toutes les directives de sécurité ainsi que l'information comprise dans le présent manuel.

- Conserver ces directives et les examiner fréquemment avant d'utiliser l'appareil ou de donner des directives aux autres.

⚠ DANGER : MESURES DE SÉCURITÉ IMPORTANTES POUR TONDEUSE A CONDUCTEUR ACCOMPAGNANT

Cette tondeuse peut amputer les bras et les jambes et projeter des objets. Le non-respect des directives de sécurité ci-dessous peut provoquer de sérieuses blessures ou un décès.

UTILISATION GÉNÉRALE

1. Lire, comprendre et respecter les directives figurant sur la tondeuse et dans le mode d'emploi avant de commencer.
2. Ne pas approcher les mains ou les pieds de la tondeuse ou de sa partie inférieure. Toujours se tenir à l'écart de l'ouverture d'éjection.
3. Ne permettre qu'à des adultes responsables, familiers de ces directives, d'utiliser cette tondeuse.
4. Débarrasser la zone à tondre des objets tels les pierres, les tiges, les fils, les jouets, les os, etc., qui pourraient être projetés par la lame. Les objets percuteurs par la lame peuvent provoquer de graves blessures corporelles. Se tenir derrière la poignée lorsque le moteur tourne.
5. S'assurer qu'il n'y a personne à proximité de la tondeuse avant l'utilisation. Tenir les curieux et les animaux à une distance sûre. Arrêter la tondeuse si quelqu'un pénètre dans la zone de tonte.
6. Ne pas utiliser l'appareil avec les pieds nus ou des sandales. Toujours mettre des chaussures épaisses.
7. Ne pas tirer la tondeuse vers l'arrière sauf en cas d'absolue nécessité. Regarder vers le bas et derrière soi avant et pendant tout déplacement en marche arrière.
8. Ne jamais diriger l'éjection en direction d'une personne. Éviter d'éjecter les substances contre un mur ou un obstacle. Les substances pourraient ricocher vers l'opérateur. Dégager l'anse pour éteindre la tondeuse et arrêter la lame avant de traverser une surface gravelée.
9. Ne pas utiliser la tondeuse sans installer le collecteur d'herbe, la protection de l'éjecteur, la protection arrière ou toute autre protection de sécurité en place et qui fonctionne. Vérifier régulièrement toutes les protections et tous les dispositifs de sûreté pour s'assurer qu'ils sont en bon état de fonctionnement afin d'assurer un fonctionnement adéquat selon sa fonction prévue. Remplacer tout verrou, protection ou autre dispositif de sûreté endommagé avant l'utilisation.
10. Ne jamais laisser une tondeuse en marche sans surveillance.
11. Toujours dégager l'anse pour couper le moteur, attendre que la lame s'immobilise complètement et retirer la clé de sûreté avant de nettoyer la tondeuse, d'enlever le collecteur d'herbe ou de déboucher la protection de l'éjecteur, avant de laisser la tondeuse ou avant tout réglage, dépannage ou vérification.
12. N'utiliser la tondeuse qu'à la lumière du jour ou avec un bon éclairage artificiel lorsque les objets situés dans le champ de la lame sont clairement visibles à partir du point d'opération de la tondeuse.
13. Ne pas utiliser la tondeuse sous l'emprise de l'alcool ou de drogues ou en cas de fatigue ou de maladie. Demeurer vigilant, surveiller le travail effectué, et faire preuve de jugement.
14. Éviter les conditions environnementales dangereuses. Ne jamais utiliser la tondeuse dans des endroits humides ou mouillés et ne jamais l'utiliser sous la pluie. Toujours s'assurer d'avoir le pied sûr; marcher; ne jamais courir.
15. Désengager le système d'entraînement, le cas échéant, avant de démarrer le moteur.
16. Si la tondeuse commence à vibrer de façon anormale, relâcher la poignée de libération sous caution (levier de commande) (2), attendez que la lame s'arrête et débrancher la tondeuse, puis rechercher la cause immédiatement. Les vibrations sont généralement un avertissement de problèmes.
17. Toujours mettre une protection respiratoire et pour les yeux durant l'utilisation de la tondeuse.
18. L'utilisation de tout accessoire ou pièce non recommandés avec cette tondeuse s'avère dangereuse. N'utiliser que les accessoires approuvés par Black & Decker.
19. Ne jamais trop tendre les bras en utilisant la tondeuse. Toujours s'assurer de conserver son équilibre à tout moment au cours de l'utilisation de la tondeuse.

UTILISATION SUR UNE PENTE

Les pentes sont un facteur majeur de glissades et de chutes, qui peuvent entraîner de graves blessures. L'utilisation sur toutes les pentes demande une attention particulière. Ne pas tondre une pente sur laquelle on ne se sent pas à l'aise.

1. Tondre les pentes en diagonale, jamais de haut en bas. Être extrêmement prudent lors des virages sur les pentes.
2. Faire attention aux trous, ornières, rebonds, pierres ou autres objets cachés. Une surface inégale peut provoquer une glissade ou une chute. Une herbe haute peut cacher des obstacles.
3. Ne pas tondre une herbe mouillée ou des pentes excessivement escarpées. Un équilibre instable peut provoquer une glissade ou une chute.
4. Ne pas tondre près des falaises, des fossés ou des talus. Il y a un risque de perdre sa stabilité ou son équilibre.

ENFANTS

Des incidents tragiques peuvent survenir si l'opérateur n'est pas vigilant en présence d'enfants. Les enfants sont parfois attirés par la tondeuse et l'opération de tonte. Ne jamais supposer qu'un enfant est resté au dernier endroit où il a été vu.

1. Tenir les enfants à l'écart de la zone de tonte et sous la surveillance attentive d'un adulte responsable autre que l'opérateur.
2. Rester vigilant et arrêter la tondeuse si un enfant pénètre dans la zone.
3. Ne jamais laisser un enfant utiliser la tondeuse.
4. Être très prudent aux environs des virages, arbustes, arbres ou autres objets qui peuvent vous empêcher de voir un enfant.

RÉVISION GÉNÉRALE

1. Ne jamais utiliser la tondeuse dans un endroit clos.
2. Maintenir tous les écrous et les boulons serrés pour s'assurer que le matériel est en bon état de fonctionnement.
3. Ne jamais altérer le dispositif de sécurité. S'assurer régulièrement de son fonctionnement adéquat.
4. Éviter l'accumulation d'herbe, de feuilles et d'autres débris sur la tondeuse. Laisser la tondeuse refroidir avant de la stocker.
5. Si vous heurtez un objet, relâchez la poignée de libération sous caution (levier de commande) (2) pour éteindre la tondeuse, attendre que la lame s'arrête et de débrancher la tondeuse, puis inspecter la tondeuse. Réparation, des dommages, avant de démarrer et d'utiliser la tondeuse.
6. Ne jamais effectuer de réglages ou de réparations lorsque le moteur est en marche ni lorsque la tondeuse est branchée.
7. Débranchez toujours la tondeuse avant d'ajuster, le nettoyage, la réparation, l'inspection, le transport, le stockage ou laisser la tondeuse.
8. Vérifier fréquemment les composants du collecteur d'herbe et la protection de l'éjecteur et, au besoin, remplacer par les pièces recommandées par Black & Decker seulement.
9. Les lames de tondeuses sont tranchantes. Recouvrir la lame ou mettre des gants, et être très prudent lors de l'entretien.
10. Prendre soin ou remplacer les étiquettes et les directives de sécurité, au besoin.

Cet appareil est conforme aux dispositions du paragraphe 15 des règlements de la FCC. Son utilisation est sous réserve des deux conditions suivantes : (1) l'appareil ne doit provoquer aucun brouillage nuisible; (2) l'appareil doit accepter tout brouillage reçu, y compris un brouillage susceptible d'entraîner un fonctionnement indésirable.

REMARQUE : ce matériel a été testé et a été déclaré conforme aux limites en vigueur concernant les dispositifs numériques de classe B, en vertu de la partie 15 de la réglementation FCC. Ces limites visent à assurer une protection raisonnable contre tout brouillage nuisible dans une installation résidentielle. Ce matériel produit, consomme et peut émettre une énergie de radiofréquence et, s'il n'est pas installé et utilisé conformément aux directives qui l'accompagnent, il peut entraîner un brouillage nuisible des communications radio. Cependant, nous ne garantissons pas l'absence de brouillage dans tous les types d'environnement. Si, après avoir effectué une vérification en mettant l'appareil hors tension puis sous tension, l'utilisateur s'aperçoit que ce matériel provoque un brouillage nuisible à la réception des signaux de radio ou de télévision, il lui faudra essayer de corriger ce brouillage en prenant une ou plusieurs des mesures ci-dessous :

- Réorienter ou repositionner l'antenne de réception.
 - Éloigner le plus possible le matériel du récepteur.
 - Brancher le matériel dans une prise électrique située sur un circuit différent de celui du récepteur.
 - Consulter le distributeur ou un technicien radio/télévision expérimenté pour obtenir de l'aide.
- Tout changement ou toute modification à cet appareil qui n'est pas expressément approuvé par l'institution responsable de la conformité peut faire annuler le droit de l'utilisateur d'utiliser ce matériel. Cet appareil numérique de la classe B est conforme à la norme NMB-003 du Canada.

POUR TOUTES LES TONDEUSES À GAZON À DOUBLE ISOLATION

1. Pièces de rechange

Pour la réparation, utiliser uniquement des pièces de rechange identiques.

2. Connexions d'appareils à fiche polarisée

Pour réduire le risque de décharge électrique, cet appareil comporte une fiche polarisée (une broche est plus large que l'autre) et exigera l'utilisation d'une rallonge polarisée. La fiche de l'appareil ne se branchera que d'une seule façon dans une rallonge polarisée. Si la fiche ne s'insère pas totalement dans la rallonge, l'inverser. Si la fiche ne s'insère toujours pas, obtenir une rallonge polarisée appropriée. Une rallonge polarisée exigera l'utilisation d'une prise murale polarisée. Cette fiche ne se branchera que d'une seule façon dans une prise murale polarisée. Si la fiche ne s'insère pas totalement dans la prise murale, l'inverser. Si elle ne s'insère toujours pas dans la prise, demander à un électricien compétent d'installer une prise murale appropriée. Ne modifier en aucun cas la fiche de l'appareil, la prise ou la fiche de la rallonge.

⚠ AVERTISSEMENT : AVERTISSEMENTS ET DIRECTIVES DE SÉCURITÉ GÉNÉRALES POUR TOUS LES OUTILS

- **CET OUTIL PEUT ÊTRE DANGEREUX.** Respecter tous les avertissements et directives de sécurité contenues dans ce manuel. L'opérateur est responsable du respect des avertissements et directives de sécurité contenus dans ce manuel et indiqués sur la machine. Restreindre l'usage de cette tondeuse à des personnes capables de lire, de comprendre et de respecter les avertissements et directives de

sécurité contenus dans ce manuel et indiqués sur la machine.

- **Éviter tout environnement dangereux.** Ne pas utiliser de tondeuse à gazon dans un endroit humide ou mouillé.
- **Ne pas utiliser sous la pluie.**
- **Tenir les enfants à l'écart.** Tous les visiteurs doivent se trouver à une distance sûre de la zone de travail.
- **S'habiller de manière appropriée.** Ne pas porter de vêtements amples ni de bijoux. Ils peuvent se prendre dans les pièces mobiles. Lors de travaux à l'extérieur, il est recommandé de porter des gants en caoutchouc et des chaussures.
- **Porter des lunettes de sécurité.** Toujours utiliser un masque protecteur ou antipoussières si le travail dégage beaucoup de poussière.
- **Utiliser le bon appareil électrique.** Ne pas utiliser une tondeuse à gazon pour une autre application que celle pour laquelle elle a été prévue.
- Un disjoncteur de fuite de terre doit être installé pour protéger les circuits ou les prises utilisés pour la tondeuse à gazon. Des prises avec fonction de disjoncteur de fuite de terre intégrées sont aussi disponibles et peuvent être utilisées comme mesures de sécurité.

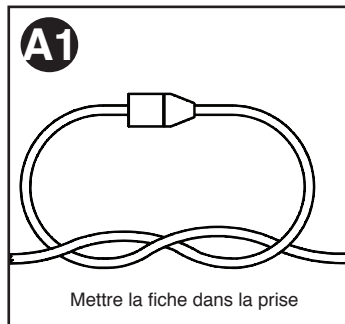
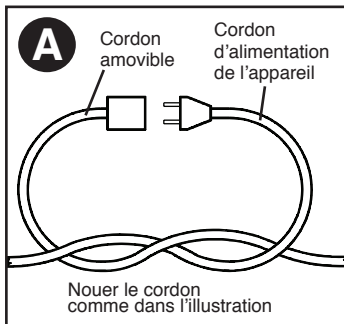
- **⚠ AVERTISSEMENT :** Pour éviter toute décharge électrique, utiliser uniquement avec une rallonge destinée à une utilisation à l'extérieur, comme les rallonges SW, SOW, STW, STOW, SJW, SJOW, SJTW, ou SJTOW.

UTILISATION DE RALLONGES

S'assurer que la rallonge est en bon état avant de l'utiliser. Toujours utiliser une rallonge de calibre approprié avec l'outil, c'est-à-dire un calibre de fil approprié pour des cordons de diverses longueurs et dont l'intensité est suffisante pour transporter le courant débité par l'outil. L'utilisation d'un cordon de calibre inférieur causera une chute de tension de ligne et donc une perte de puissance et une surchauffe. Pour connaître les cordons de bon calibre à utiliser, consulter le tableau suivant. Pour réduire la probabilité de déconnexion de la tondeuse à gazon cordon de l'ensemble du cordon pendant fonctionnement :

- Faire un nœud comme l'indiquent les figures A et A1 ou
- Utiliser l'une des courroies de fixation de la prise ou l'un des connecteurs décrits dans le présent manuel.

Calibre minimal des cordons de rallonge					
Tension		Longueur totale du cordon en pieds			
120V		0-25 (0-7,6m)	26-50 (7,6-15,2m)	51-100 (15,2-30,4m)	101-150 (30,4-45,7m)
240V		0-50 (0-15,2m)	51-100 (15,2-30,4m)	101-200 (30,4-60,9m)	201-300 (60,9-91,4m)
Intensité (A)		Calibre moyen des fils (AWG)			
Au moins	Au plus				
0	6	18	16	16	14
6	10	18	16	14	12
10	12	16	16	14	12
12	16	14	12	Non recommandé	



- **Ne pas utiliser le cordon de manière abusive.** Ne jamais tirer la tondeuse à gazon par son cordon ou tirer sur ce dernier pour le débrancher de la prise. Tenir le cordon éloigné de la chaleur, de l'huile et des bords tranchants.
- **Ne pas forcer la tondeuse à gazon.** Le travail sera mieux accompli et plus sécuritaire au rythme prévu pour l'appareil.
- **Ne pas trop tendre les bras.** Conserver son équilibre en tout temps.
- **Être vigilant.** Surveiller le travail effectué. Faire preuve de jugement. Ne pas utiliser la tondeuse à gazon si l'on est fatigué.
- **Débrancher la tondeuse à gazon.** Débrancher la tondeuse à gazon de la source d'alimentation lorsqu'elle n'est pas utilisée, avant d'effectuer une réparation et avant de changer les accessoires tels que les lames et autres.
- **Entreposer les tondeuses à gazon inutilisées à l'intérieur.** Lorsque les tondeuses à gazon ne sont pas utilisées, elles doivent être entreposées à l'intérieur, dans un endroit sec et dans un endroit verrouillé, hors de la portée des enfants.
- **Bien entretenir la tondeuse à gazon.** S'assurer que les lames de coupe sont aiguisées et propres afin d'optimiser sécurité et performance. Suivre les consignes de graissage et de changement d'accessoires. Inspecter régulièrement la tondeuse; en cas de dommages, la faire réparer par un centre de réparation autorisé. Inspecter régulièrement les rallonges et les remplacer si elles sont endommagées. Maintenir les poignées sèches, propres et exemptes d'huile et de graisse.
- **Maintenir les pare-mains en place et en état de fonctionnement.**
- **Maintenir les lames affûtées.**
- **Tenir les mains et les pieds éloignés de la zone de coupe.**

- **Les objets percutes par la lame de tondeuse à gazon peuvent provoquer de graves blessures corporelles.** Il faut toujours inspecter soigneusement la pelouse et éliminer tous les objets avant chaque tonte.
- **Si la tondeuse à gazon rencontre un objet étranger, suivre la démarche suivante :**
 - Arrêter la tondeuse à gazon. Relâcher l'interrupteur marche/arrêt.
 - Débrancher le cordon d'alimentation.
 - Rechercher tout signe de dommage.
 - Réparer tout dommage avant de démarrer et d'utiliser la tondeuse à gazon.
- **Utiliser seulement des pièces de rechange identiques.**

CONSERVER CES MESURES.

⚠ DANGER : AVERTISSEMENTS SUPPLÉMENTAIRES POUR TONDEUSES

- **VÉRIFIER QUE LES PIÈCES NE SONT PAS ENDOMMAGÉES.** Si un dispositif de protection, ou toute autre pièce, est endommagé, il faut faire examiner soigneusement l'outil, avant toute utilisation ultérieure, afin d'assurer un fonctionnement adéquat selon sa fonction prévue. Vérifier l'alignement des pièces mobiles, la présence de grippage des pièces mobiles et de rupture de pièces, l'assemblage et tout autre problème pouvant nuire au fonctionnement de l'outil. Un dispositif de protection endommagé, ou toute autre pièce endommagée, doit être réparé ou remplacé adéquatement par un centre de réparation autorisé à moins d'un avis contraire indiqué dans le présent mode d'emploi.
- **RÉPARATIONS ET ENTRETIEN.** Les réparations, l'entretien et tout réglage non précisés dans ce mode d'emploi devraient être effectués à un centre de réparation autorisé Black & Decker ou à tout autre centre de réparation professionnel. Utiliser toujours des pièces de rechange identiques.

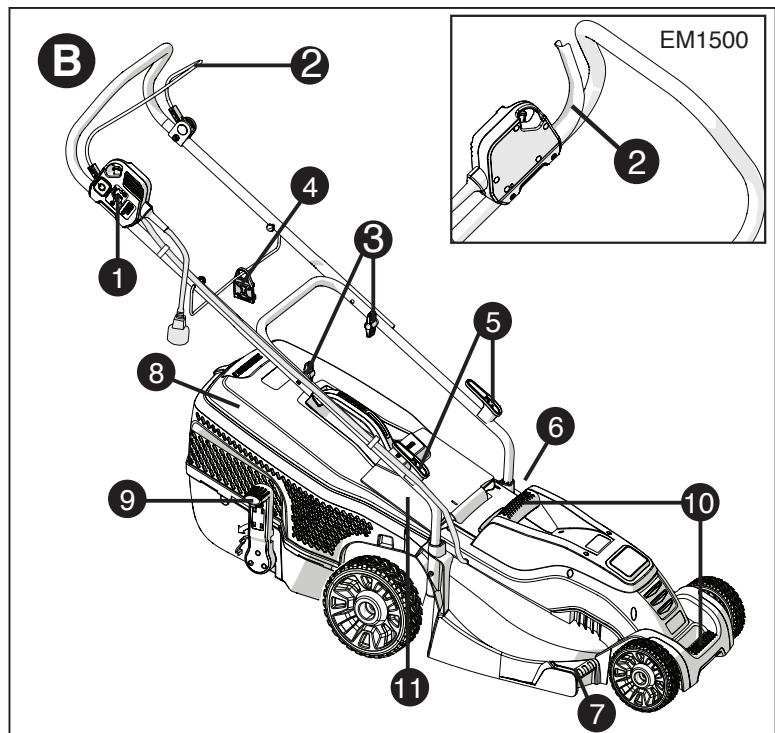
- **⚠ AVERTISSEMENT :** certaines poussières produites par ce produit contiennent des produits chimiques reconnus par l'État de la Californie comme pouvant causer le cancer, les anomalies congénitales et d'autres dangers pour la reproduction. Voici quelques exemples de ces produits chimiques :

- composés présents dans les engrais
- composés présents dans les insecticides, herbicides et pesticides
- arsenic et chrome provenant de bois traité chimiquement

Pour réduire votre exposition à ces produits chimiques, porter un équipement de sécurité approuvé comme un masque antipoussières conçu spécialement pour filtrer les particules microscopiques.

DESCRIPTION FONCTIONNELLE (FIG. B)

- Boîtier de commande
- Anse (EM1700), manette du manoccontacteur (EM1500)
- Boutons de rangement de la poignée
- Dispositif de rangement de câble
- Supports de rangement du câble
- Levier de réglage de hauteur (non représenté)
- EdgeMax™
- Bac de ramassage
- Compact levier
- Poignées
- Capot



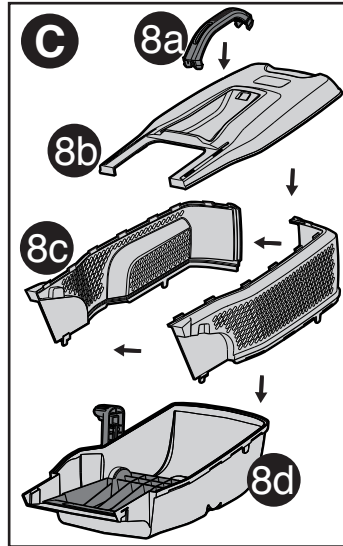
ASSEMBLAGE

AVERTISSEMENT : Avant l'assemblage, assurez-vous que l'outil est éteint et débranché.

INSTALLATION DU BAC DE RAMASSAGE (FIG. C)

AVERTISSEMENT : Dans des conditions d'usage normal, le module du collecteur d'herbe est susceptible de subir des détériorations et de s'user et devrait donc être inspecté fréquemment en vue d'un remplacement. Tout module de rechange devrait être vérifié pour en assurer la conformité aux recommandations de Black and Decker. Le bac de ramassage (8) doit être installé avant la mise en marche. Il se compose de 5 pièces.

- Accrochez la poignée (8a) dans le couvercle (8b) du bac de ramassage. La poignée ne peut être placée que dans un sens.
- Accrochez les 2 côtés (8c) du bac de ramassage. Assurez-vous que tous les clips et guides sont alignés.
- Alignez les côtés assemblés sur le bas (8d) du bac de ramassage. Assurez-vous que les 4 guides sont alignés.
- Poussez sur les deux parties.



Appuyez régulièrement sur les côtés du bac de ramassage pour enclencher correctement les clips. Vérifiez que chaque clip est fermement enclenché.

- Alignez le couvercle (8b) sur le bac de ramassage assemblé. Assurez-vous que les 10 guides sont alignés.

REMARQUE : Prenez un maximum de précautions en alignant les 2 clips à l'arrière du bac de ramassage.

- Appuyez sur le couvercle pour fixer tous les clips. Commencez par l'arrière et assurez-vous que tous les clips sont bien enclenchés.

INSTALLATION DU MONTANT DE POIGNÉE INFÉRIEUR (FIG. D)

- Insérez les extrémités du montant de poignée inférieure dans les trous correspondants sur la tondeuse.
- Appuyez vers le bas aussi loin que possible.
- Fixez la poignée avec les vis.

ASSEMBLAGE DU MONTANT DE POIGNÉE SUPÉRIEUR (FIG. E)

- Installez le montant de poignée supérieur sur le montant de poignée inférieure avec les boutons (3), les rondelles et les vis, comme indiqué.

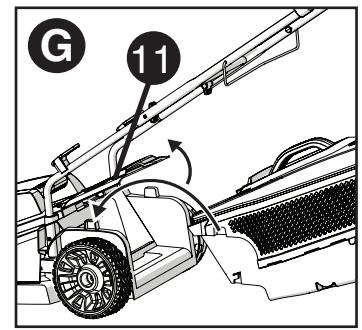
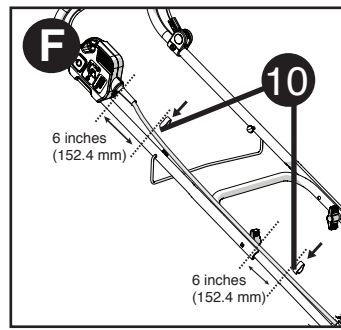
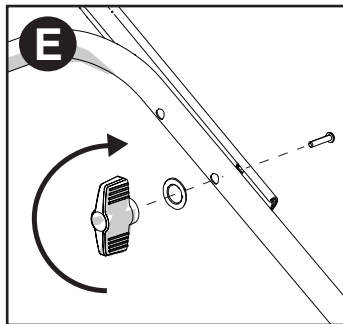
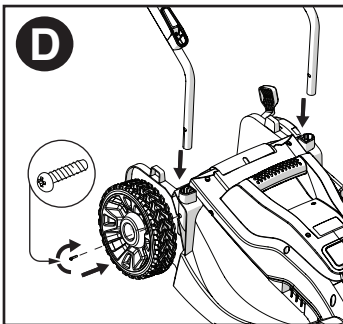
FIXATION DU CÂBLE DU MOTEUR (FIG. F)

Le câble du moteur doit être fixé en utilisant les fixations.

- Pour couper le câble de la poignée, casser un clip de retenue (10) autour du câble et poignée supérieure d'environ 152,4 mm (6 pouces) en dessous de la boîte de commutation (1).
- Aligner le second clip de retenue autour du câble et poignée inférieure d'environ 152,4 mm (6 pouces) en dessous du bouton de poignée (3).

MONTAGE DU BAC DE RAMASSAGE (FIG. G)

- Levez le capot (11) et placez le bac de ramassage (8) sur les tenons.



FONCTIONNEMENT

LIRE LE MODE D'EMPLOI ET LES RÈGLES DE SÉCURITÉ AVANT DE FAIRE FONCTIONNER LA TONDEUSE. Consulter la « Description fonctionnelle » pour se familiariser avec l'emplacement des divers réglages et commandes. Conserver ce mode d'emploi pour un usage ultérieur.

AVERTISSEMENT : DES LAMES EN MOUVEMENT (ROTATION) RISQUENT DE PROVOQUER DE GRAVES BLESSURES. POUR PRÉVENIR DE GRAVES BLESSURES, RETIRER LA CLÉ DE SÛRETÉ LORSQUE LA TONDEUSE EST SANS SURVEILLANCE OU LORS DE LA CHARGE, DU NETTOYAGE, DES RÉPARATIONS, DU TRANSPORT, DU SOULÈVEMENT OU DU RANGEMENT.

AVERTISSEMENT : lame mobile pointu. Ne pas utiliser la tondeuse si la porte arrière n'est pas fermée sous tension de ressort comme des blessures graves pourraient en résulter. Prenez votre tondeuse au centre de service le plus proche pour réparation.

AVERTISSEMENT : lame mobile pointu. Ne jamais utiliser la tondeuse si les crochets de suspension sur le bac de ramassage sont correctement sur la tondeuse et la porte de sortie arrière repose serein.

AVERTISSEMENT : Ne pas utiliser la tondeuse sans boîte de collecte fixé.

AVERTISSEMENT : Laissez la tondeuse fonctionner à sa propre vitesse. Ne la poussez pas au-delà de sa limite.

RÉGLAGE DE LA HAUTEUR DE COUPE (FIG. H)

La hauteur de coupe est ajustée avec le dispositif de réglage de hauteur. Sélectionnez une des 6 positions.

Pour régler la hauteur de coupe

- Tirez le levier de réglage de hauteur (6) en l'éloignant de la machine.
- Déplacez le levier vers l'arrière de la tondeuse pour abaisser la hauteur de coupe.
- Déplacez le levier vers l'avant de la tondeuse pour relever la hauteur de coupe.
- Poussez le levier de réglage de hauteur et sélectionnez une des 6 hauteurs.

REMARQUE : La hauteur de coupe est visible sur le témoin de hauteur de coupe (12) sur le côté de la tondeuse.

MISE EN MARCHÉ ET ARRÊT (FIG. I)

AVERTISSEMENT : LAME TRANCHANTE EN MOUVEMENT. NE JAMAIS ESSAYER DE NEUTRALISER LE FONCTIONNEMENT DU SYSTÈME DE CONTACT ET DE CLÉ DE SÛRETÉ. EN EFFET, UNE TELLE PRATIQUE POURRAIT SE SOLDER PAR DE GRAVES BLESSURES.

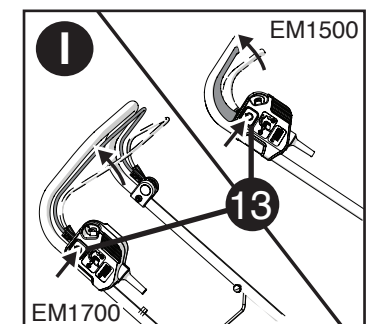
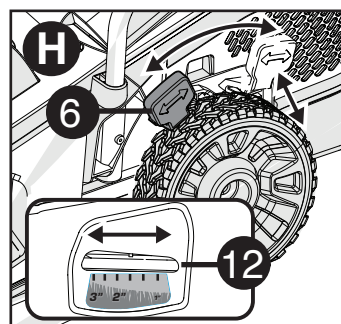
Démarrage

- Poussez et maintenez le bouton de déverrouillage (13).
- Tirez le déclencheur (2) vers la poignée.
- Relâchez le bouton de déblocage.

Arrêt

- Relâchez le déclencheur (2).

AVERTISSEMENT : N'essayez jamais de bloquer une commande en position marche.



TONTE (FIG. J - K)

NOTE: Toujours inspecter le secteur où la tondeuse doit être utilisée et enlever les pierres, des bâtons, des fils, des os et des débris autre, susceptible d'être projetés par la lame rotative. Nous vous recommandons d'utiliser votre tondeuse selon les instructions données dans cette section. Vous obtiendrez ainsi le meilleur résultat et réduirez le risque de couper le câble d'alimentation.

- Enroulez le câble électrique dans le dispositif de rangement de câble (4), comme indiqué (fig. J) en laissant environ 100 cm de câble entre le boîtier de commande (1) et le dispositif de rangement de câble.

- La fixation du câble doit pouvoir glisser librement d'un support à l'autre.
- Placez la longueur de câble sur la pelouse, près du point de départ (fig. K, position 1).
- Mettez l'appareil en marche, comme décrit ci-dessus.

- Travaillez comme indiqué fig. K.
- Passez de la position 1 à la position 2.

- Tournez vers la droite en évitant le câble, puis passez à la position 3. La fixation du câble glisse d'un côté de la poignée à l'autre en s'assurant que le câble est éloigné de la lame.
- Tournez vers la gauche en évitant le câble, puis passez à la position 4. La fixation du câble glisse d'un côté de la poignée à l'autre. Le câble doit resté éloigné de la lame.
- Recommencez ce processus, si nécessaire.

AVERTISSEMENT : Ne roulez pas sur le câble, comme sur l'exemple de la fig. K1.

EDGEMAX™ (FIG. L)

Le dispositif EdgeMax™ (7) permet de couper l'herbe sur le bord d'un mur ou d'une barrière (fig. L). Le dispositif EdgeMax™ permet de couper la bordure de votre pelouse avec précision (fig. L1).

- Placez la tondeuse en parallèle avec le bord de votre pelouse.
- Poussez la tondeuse le long du bord de la pelouse. Assurez-vous que le dispositif EdgeMax™ est légèrement au-dessus du bord de la pelouse (fig. L1)

COMPACT&GO (FIG. M)

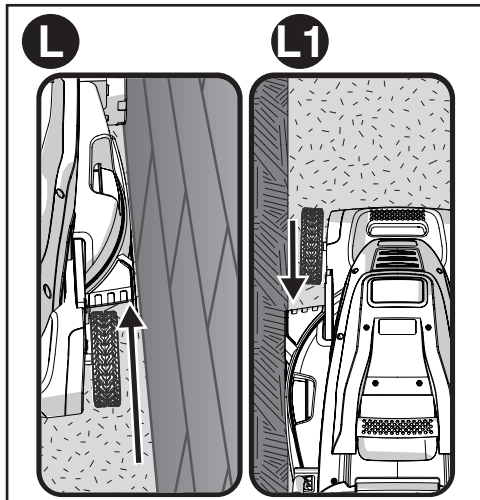
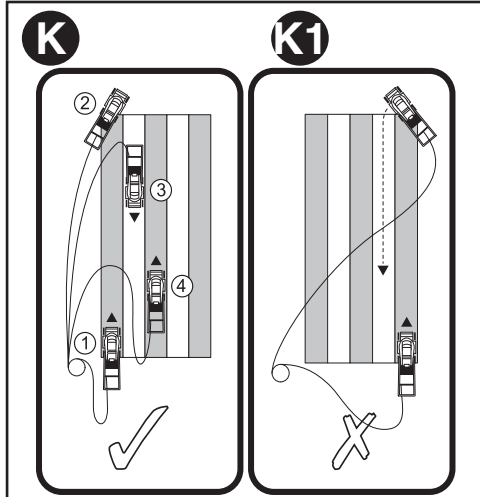
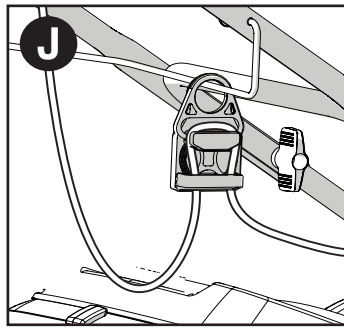
Quand le bac de ramassage est plein, vous pouvez compacter l'herbe dans le bac. Regardez dans le capot transparent (11) pour vérifier si le bac est plein.

- Relâchez le déclencheur (manette du manoccontacteur) (2).
- Avec le pied droit, appuyez sur le levier de compaction (9) jusqu'à ce qu'il s'enclenche.

REMARQUE : L'herbe dans le bac de ramassage est désormais compactée à l'arrière du bac. Vous pouvez continuer à tondre jusqu'à ce que le bac de ramassage soit plein.

VIDAGE DU SAC DE RAMASSAGE (FIG. M1)

- Relâchez le déclencheur (manette du manoccontacteur) (2).
- Retirez le bac de ramassage (10).
- Videz le bac par l'avant.
- Placez le bac de ramassage au sol. Poussez et maintenez le bouton de relâchement du levier de compaction (14).

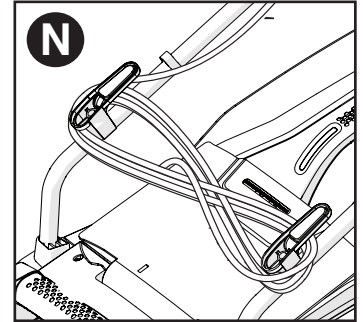
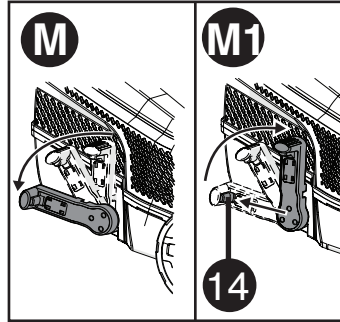


- Levez le levier de compaction (9) en position verticale et relâchez le bouton de relâchement de compaction.
- Videz le bac par l'arrière.

RANGEMENT DU CÂBLE (FIG. N)

Les supports de rangement de câble (5) permettent de ranger le câble quand il n'est pas utilisé.

- Enroulez (environ 8 tours) le câble autour des supports de rangement de câble (6).



TRANSPORT DE LA TONDEUSE

AVERTISSEMENT : Rotation lame peut causer des blessures graves. Relâchez la poignée de libération sous caution (manette du manoccontacteur) (2) pour éteindre la tondeuse et débranchez la tondeuse avant de le soulever, de transporter ou de ranger la tondeuse. Conserver dans un endroit sec.

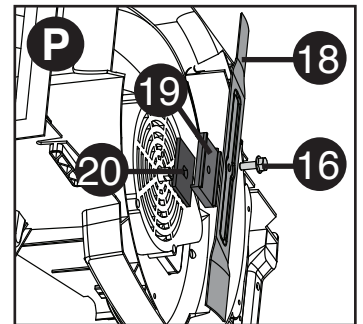
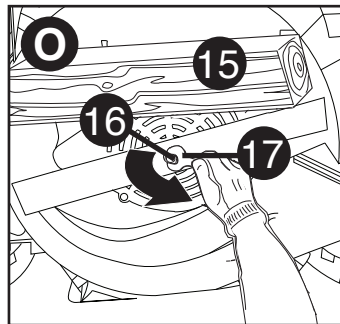
- Vous pouvez porter la tondeuse avec les poignées (12).

RETRAIT DE LA LAME (FIG. O - P)

AVERTISSEMENT : Attendez que la lame soit arrêtée, puis débranchez l'appareil du secteur.

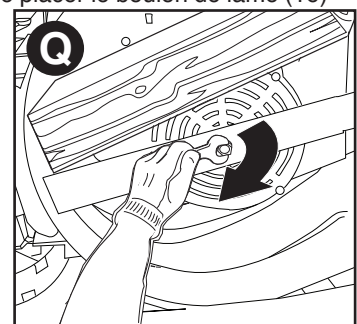
AVERTISSEMENT : N'utilisez que des lames de rechange prescrites par le fabricant. EMB1500 (EM1500 tondeuse) and EMB1700 (EM1700 tondeuse)

- RELÂCHER L'ANSE (MANETTE DU MANOCCONTACTEUR) (2) POUR ÉTEINDRE LA TONDEUSE, ATTENDRE QUE LA LAME S'IMMOBILISE ET RETIRER LA CLÉ DE SÛRETÉ ET LE BLOC-PILES.
- Coupez un morceau de bois 2x4 (15) (environ 1 pied de long) (305 mm) pour maintenir la lame de tourner tout en enlevant l'écrou de la bride.
- Mettez l'appareil sur le côté. Porter des gants et des lunettes de protection. Méfiez-vous des arêtes vives de la lame.
- Pièce de position de bois (15) pour maintenir la lame de tourner comme illustré à la figure O.
- Utilisez une clé de 9/16 po pour desserrer et retirer le boulon de lame (16) par turningcounterclockwise.
- Retirez la lame (17) et le boulon de lame.
- Enlever la lame (18), l'isolant de la lame (19) et la cale (20) comme l'indique la figure P. Examiner les défauts de toutes les pièces et les remplacer si nécessaire.



INSTALLATION DE LA LAME (FIG. Q)

- Extraire la lame sur l'arbre de vis et de placer le boulon de lame (16) sur l'arbre de pêne.
- Serrer la vis de la lame aussi fermement que possible à la main.
- Pièce de position de bois (15) pour maintenir la lame de tourner comme illustré à la figure P. écrou de la bride d'installation avec la bride contre l'entretoise de la lame et serrer.
- Utilisez un 9/16 po clé pour serrer la vis de la lame en tournant la clé dans le sens horaire.



AFFÛTAGE DE LA LAME

MAINTENIR LA LAME AIGUISÉE POUR OPTIMISER LE RENDEMENT DE LA TONDEUSE. UNE LAME ÉMOUSSÉE NE COUPE PAS NETTEMENT ET NE DÉCHIQUETTE PAS CORRECTEMENT.

UTILISER UNE PROTECTION OCULAIRE ADÉQUATE LORS DU RETRAIT, DE L’AFFÛTAGE ET DE L’INSTALLATION DE LA LAME, S’ASSURER QUE LA CLÉ DE SÛRETÉ ET LE BLOC-PILES SONT RETIRÉS.

Deux affûtages par saison sont normalement suffisants dans des conditions normales. Le sable émousse rapidement la lame. Si la pelouse pousse sur un sol sablonneux, des affûtages plus fréquents seront nécessaires.

REMPLENER IMMÉDIATEMENT UNE LAME TORDUE OU ENDOMMAGÉE.

LORS DE L’AFFÛTAGE DE LA LAME :

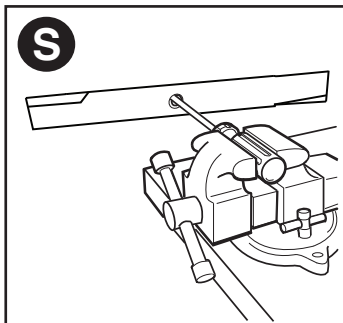
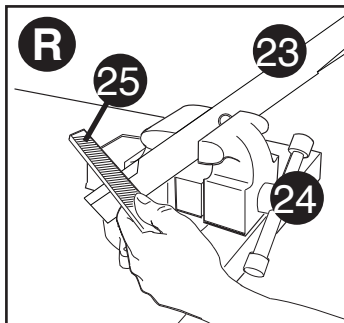
1. S’assurer que la lame reste équilibrée.
2. Affûter la lame suivant l’angle de coupe d’origine.
3. Affûter les arêtes coupantes des deux extrémités de la lame, retirer la même quantité de matière aux deux extrémités.

AFFÛTAGE DE LA LAME DANS UN ÉTAU (FIG. R) :

1. S’assurer que l’anse est dégagée et la lame complètement immobile. Retirer la clé de sûreté et le bloc-piles avant de retirer la lame.
2. Retirer la lame de la tondeuse. Consulter les instructions pour retirer et installer la lame.
3. Fixer solidement la lame (23) dans un étau (24).
4. Porter des lunettes de protection et des gants appropriés et faire attention de ne pas vous couper.
5. Limer soigneusement les arêtes coupantes de la lame avec une lime à dents fines (25) ou une pierre à affûter en conservant l’angle original de l’arête.
6. Vérifier l’équilibre de la lame. Consulter les directives pour équilibrer la lame.
7. Remettre la lame de la tondeuse et serrer solidement.

ÉQUILIBRAGE DE LA LAME (FIG. S)

Vérifier l’équilibre de la lame en enfilant le trou central de la lame (23) sur un clou ou un tournevis à tige ronde, fixé horizontalement dans un étau. Si l’une des extrémités de la lame pivote vers le bas, la limer. La lame est correctement en équilibre quand aucune extrémité ne penche vers le bas.



LUBRICATION

Aucun graissage n’est nécessaire. Ne pas huiler les roues. Elles comportent des surfaces d’appui en plastique qui n’exige aucun graissage.

NETTOYAGE

Relâcher l’anse pour éteindre la tondeuse, attendre que la lame s’immobilise puis retirer la clé de sûreté et le bloc-piles. Utiliser seulement un détergent doux et un chiffon humide pour nettoyer la tondeuse. Nettoyer toute trace d’herbe coupée qui se serait accumulée sous le châssis. Après plusieurs utilisations, inspecter toute la quincaillerie exposée et serrer au besoin. Bien garder le logement et les bornes de la pile de la tondeuse exempts de débris.

PRÉVENTION DE LA CORROSION

Les engrais et autres produits chimiques de jardin renferment des agents qui accélèrent la corrosion du métal. Si l’aire à tondre a reçu un épandage d’engrais ou de produits chimiques, nettoyer immédiatement la tondeuse après son utilisation comme suit : (1) relâcher l’anse pour éteindre la tondeuse et retirer la clé de sûreté et le bloc-piles. (2) Essuyer toutes les pièces exposées avec un chiffon humide.

⚠ MISE EN GARDE : NE PAS VERSER NI PULVÉRISER D’EAU SUR LA TONDEUSE POUR LA NETTOYER. Ne pas ranger l’outil sur des engrais ou des produits chimiques ou à proximité de ceux-ci. Un tel rangement risque de provoquer une corrosion rapide.

POSITION DE RANGEMENT

Pour économiser de l’espace, la tondeuse se range en position verticale, avec la poignée repliée comme dans l’illustration S. Il est également possible de charger la tondeuse en position verticale. Desserrer les deux boutons inférieurs (1) et abaisser la section de poignée (2) en place. Prendre soin de ne pas pincer le cordon d’alimentation. Serrer les deux boutons inférieurs et mettre la tondeuse à la verticale de façon à ce qu’elle repose sur sa poignée et ses roues arrière tandis que le côté de la lame est appuyé contre le mur.

⚠ MISE EN GARDE : point de pincement. Pour éviter de se pincer en abaissant les poignées, garder les doigts hors de la zone entre elles.

CONSEILS POUR UNE UTILISATION OPTIMALE

- Si la hauteur de l’herbe dépasse 10 cm, passez deux fois la tondeuse pour obtenir une meilleure coupe. Tondez d’abord à la hauteur maximum, puis à la hauteur moyenne ou à la hauteur minimum.
- Pour obtenir les meilleurs résultats, l’herbe doit être sèche.

SURCHARGE DE COUPE

Pour prévenir les dommages dus à des conditions de surcharge, ne pas essayer de couper l’herbe trop à la fois. Ralentissez votre rythme de coupe, ou augmentez la hauteur de coupe.

RENCONTRE CPSC EXIGENCES DE SÉCURITÉ

Black and Decker Tondeuse sont conformes aux normes de sécurité de l’American National Standards Institute, et de la commission de la sécurité des produits américains. La lame tourne lorsque le moteur est en marche.

ENTRETIEN

IMPORTANT : pour garantir la SÉCURITÉ et la FIABILITÉ du produit, les réparations, l’entretien et le réglage (y compris l’inspection et le remplacement du balai) doivent être réalisés par un centre de réparation BLACK & DECKER ou tout autre centre de réparation professionnel, et des pièces de rechange Black & Decker doivent toujours être utilisées. En cas de réparation, utiliser UNIQUEMENT DES PIÈCES DE RECHANGE IDENTIQUES.

ACCESSOIRES

Les accessoires recommandés pouvant être utilisés avec la tondeuse sont disponibles auprès de votre distributeur ou centre de réparation local autorisé. Pour tout renseignement concernant les accessoires, composer le : **1 800 544-6986**

⚠ AVERTISSEMENT : l’utilisation de tout accessoire non recommandé avec cet outil pourrait s’avérer dangereuse.

INFORMATION SUR LES RÉPARATIONS

Tous les centres de réparation Black & Decker sont dotés de personnel qualifié en matière d’outillage électrique; ils sont donc en mesure d’offrir à leur clientèle un service efficace et fiable. Que ce soit pour un avis technique, une réparation ou des pièces de rechange authentiques installées en usine, communiquer avec l’établissement Black & Decker le plus près de chez vous. Pour trouver l’établissement de réparation de votre région, consulter le site www.blackanddecker.com

GARANTIE COMPLÈTE DE DEUX ANS POUR UNE UTILISATION DOMESTIQUE

Black & Decker (É.-U.) Inc. garantit ce produit pour une durée de deux ans contre tout défaut de matériau ou de fabrication. Le produit défectueux sera remplacé ou réparé sans frais de l’une des deux façons suivantes : La première façon consiste en un simple échange chez le détaillant qui l’a vendu (pourvu qu’il s’agisse d’un détaillant participant). Tout retour doit se faire durant la période correspondant à la politique d’échange du détaillant (habituellement, de 30 à 90 jours après l’achat). Une preuve d’achat peut être requise. Vérifier auprès du détaillant pour connaître sa politique concernant les retours hors de la période définie pour les échanges. La deuxième option est d’apporter ou d’envoyer le produit (transport payé d’avance) à un centre de réparation autorisé ou à un centre de réparation de Black & Decker pour faire réparer ou échanger le produit, à notre discrétion. Une preuve d’achat peut être requise.

Cette garantie ne s’applique pas aux accessoires. Cette garantie vous accorde des droits légaux spécifiques et vous pourriez avoir d’autres droits qui varient d’un État ou d’une province à l’autre. Pour toute question, communiquer avec le directeur du centre de réparation Black & Decker le plus près de chez vous. Ce produit n’est pas destiné à un usage commercial.

REMPACEMENT GRATUIT DES ÉTIQUETTES

D’AVERTISSEMENT : si les étiquettes d’avertissement deviennent illisibles ou sont manquantes, composer le **1 800 544-6986** pour en obtenir le remplacement gratuit.

DÉPANNAGE

Problème	Cause possible	Solution possible
• Fonctionnement impossible.	• Absence d’alimentation. • Fusible grillé/défaillant. • Herbe trop longue.	• Mise sous tension. • Remplacer le fusible. • Augmenter la hauteur de coupe et déplacer la machine dans une zone où l’herbe est plus courte.
• Fonctionnement intermittent	• Détecteur de surchauffe activé. • Détecteur de surchauffe activé.	• Laisser le moteur refroidir et augmenter la hauteur de coupe. • Laisser le moteur refroidir et augmenter la hauteur de coupe.
• La machine ne coupe pas également ou le moteur surchauffe	• Hauteur de coupe trop faible. • Lame émoussée. • Blocage sous la machine. • Lame montée à l’envers.	• Augmenter la hauteur de coupe. • Remplacer la lame. • Vérifier le dessous de la machine et nettoyer (le port de gants épais est obligatoire). • Remonter la lame correctement.

Importé par
Black & Decker Canada Inc.
100 Central Ave.
Brockville (Ontario) K6V 5W6



Segadora con cable de 381MM (15 PULG.) / 432MM (17 PULG.)

MANUAL DE INSTRUCCIONES

Catálogo N°: EM1500, EM1700

Gracias por elegir Black & Decker!

Visite www.BlackandDecker.com/NewOwner para registrar su nuevo producto.

LEA EL MANUAL ANTES DE DEVOLVER ESTE PRODUCTO POR CUALQUIER MOTIVO:

Si tiene una consulta o algún inconveniente con su producto Black & Decker, visite [HTTP://WWW.BLACKANDDECKER.COM/INSTANTANSWERS](http://WWW.BLACKANDDECKER.COM/INSTANTANSWERS) para obtener respuestas instantáneas las 24 horas del día.

Si no encuentra la respuesta o no tiene acceso a Internet, llame al 1-800-544-6986 de lunes a viernes de 8 a.m. a 5 p.m. hora del Este para hablar con un agente. Cuando llame, tenga a mano el número de catálogo.

INFORMACIÓN CLAVE QUE DEBE CONOCER:

- No ponga en funcionamiento la podadora sin verificar que el mango esté trabado en su posición.
- Para obtener mejores resultados en el corte, mantenga las hojas afiladas y balanceadas.
- Examine y limpie minuciosamente la podadora después de utilizarla (una plataforma cubierta de bloques de césped afectará el rendimiento de la máquina).
- Antes de comenzar la tarea, asegúrese de despejar el área de trabajo y no permita el ingreso de personas o mascotas.

CONSERVE ESTE MANUAL PARA FUTURAS CONSULTAS.

PAUTAS DE SEGURIDAD/DEFINICIONES

Es importante que lea y comprenda este manual. La información que contiene se relaciona con la protección de SU SEGURIDAD y la PREVENCIÓN DE PROBLEMAS. Los símbolos que siguen se utilizan para ayudarlo a reconocer esta información.






⚠ PELIGRO: indica una situación de peligro inminente que, si no se evita, provocará la muerte o lesiones graves.

⚠ ADVERTENCIA: indica una situación de peligro potencial que, si no se evita, provocará la muerte o lesiones graves.

⚠ PRECAUCIÓN: indica una situación de peligro potencial que, si no se evita, provocará lesiones leves o moderadas.

AVISO: utilizado sin el símbolo de alerta de seguridad indica una situación de peligro potencial que, si no se evita, puede provocar daños en la propiedad.

A continuación se presentan explicaciones de las ilustraciones de importantes riesgos de seguridad correspondientes a la podadora.

-  1. El usuario debe leer y comprender el manual de instrucciones.
-  2. Para evitar el riesgo de lesiones graves no corte el césped subiéndolo y bajando pendientes. En pendientes, siempre corte el césped transversalmente.
-  3. Para evitar el riesgo de lesiones hacia las personas de alrededor, mantenga a todas las personas y las mascotas a una distancia segura de la podadora mientras esté en funcionamiento.
-  4. Las hojas giratorias pueden provocar lesiones graves. Mantenga las manos y los pies lejos de la plataforma y la abertura de descarga de la podadora en todo momento. Antes de retirar y volver a colocar el recolector de césped, limpiar, transportar, levantar o realizar el mantenimiento de la podadora, siempre asegúrese de que la hoja se haya detenido (espere hasta que la hoja deje de girar, aproximadamente 3 segundos, después de soltar la palanca del interruptor y retirar la llave de seguridad).
-  5. Los objetos golpeados por la hoja de la podadora pueden provocar lesiones graves. Manténgase detrás del mango

cuando el motor esté en funcionamiento. Siempre asegúrese de que las personas y las mascotas estén lejos de la descarga de la podadora mientras esté en funcionamiento. Siempre inspeccione el área de trabajo antes de cortar el césped y retire los objetos que podrían ser lanzados por la hoja. Antes de cruzar aceras, calles, patios y senderos de grava, suelte la palanca del interruptor para apagar la podadora y espere hasta que la hoja deje de girar (aproximadamente 3 segundos).

⚠ ADVERTENCIA: INSTRUCCIONES Y ADVERTENCIAS DE SEGURIDAD IMPORTANTES

⚠ ADVERTENCIA: Al utilizar herramientas eléctricas para el jardín, siempre se deben tomar precauciones básicas de seguridad para reducir el riesgo de incendios, descargas eléctricas y lesiones personales, incluidas las siguientes.

LEA TODAS LAS INSTRUCCIONES PARA REDUCIR EL RIESGO DE LESIONES:

- Antes de cada uso, asegúrese de que todos los que utilizan esta herramienta lean y comprendan todas las instrucciones de seguridad y el resto de la información incluida en este manual.
- Conserve estas instrucciones y revíselas con frecuencia antes del uso y al instruir a otras personas.

⚠ PELIGRO: PRÁCTICAS DE SEGURIDAD IMPORTANTES PARA PODADORAS DE EMPUJAR

Esta podadora puede amputar manos y pies, y lanzar objetos. El incumplimiento de las siguientes instrucciones de seguridad puede producir lesiones graves o la muerte.

OPERACIÓN GENERAL

1. Antes de hacerla arrancar, lea, comprenda y siga todas las instrucciones en la podadora y en el manual de instrucciones.
2. No ponga las manos ni los pies cerca o debajo de la podadora. Manténgase alejado de la abertura de descarga en todo momento.
3. Sólo permita que adultos responsables, familiarizados con las instrucciones, operen esta podadora.
4. Despeje el área donde se utilizará la podadora de objetos como piedras, palos, alambre, juguetes, huesos, etc., que la hoja podría lanzar. Los objetos golpeados por la hoja pueden causar graves lesiones a las personas. Manténgase detrás del mango cuando el motor esté en funcionamiento.
5. Asegúrese de que no haya personas en el área que rodea a la podadora antes de utilizarla. Todas las personas y mascotas en los alrededores deben mantenerse a una distancia segura. Detenga la podadora si alguien entra en el área que la rodea.
6. No opere la podadora descalzo o con sandalias. Siempre use calzado resistente.
7. No tire de la podadora hacia atrás a menos que sea absolutamente necesario. Siempre mire hacia abajo y hacia atrás antes y durante movimientos de retroceso.
8. Nunca descargue material en forma directa en la dirección donde hay personas. No descargue material contra una pared o contra algo que provoque una obstrucción. El material puede rebotar y golpear al operador. Al cruzar superficies de grava, suelte la palanca del interruptor para apagar la podadora y detener la hoja.
9. No opere la podadora si el recolector de césped completo, el protector de la descarga, el protector posterior u otros dispositivos de seguridad no están en su lugar y funcionando. Verifique periódicamente todos los protectores y dispositivos de seguridad para asegurarse de que estén en buenas condiciones, que funcionen correctamente y que cumplan con su función correspondiente. Reemplace un seguro, protector u otro dispositivo de seguridad dañado antes de un uso posterior.
10. Nunca deje funcionando una podadora sin supervisión.
11. Antes de limpiar la podadora, retire el recolector de césped, desatascar el protector de la descarga, alejarse de la podadora o antes de realizar cualquier ajuste, reparación o inspección, siempre suelte la palanca del interruptor para detener el motor y espere hasta que la hoja se detenga por completo para retirar la llave de seguridad.
12. Opere la podadora sólo con luz diurna o buena iluminación artificial para que los objetos en el trayecto de la hoja sean visibles claramente desde el área de funcionamiento de la podadora.
13. No opere la podadora bajo la influencia del alcohol o las drogas, ni cuando esté cansado o enfermo. Siempre manténgase alerta, ponga atención a lo que hace y use el sentido común.
14. Evite los entornos peligrosos. Nunca opere la podadora sobre césped húmedo o mojado; nunca use la podadora bajo la lluvia. Siempre asegúrese de tener los pies bien apoyados; camine, nunca corra.
15. Desconecte el sistema de accionamiento, de haberlo, antes de arrancar el motor.
16. Si el cortacésped comienza a vibrar de manera anormal, suelte la empuñadura de estribo (interruptor de palanca) (2), espere a que la hoja se detenga y desconecte segadora, a continuación, busque la causa inmediatamente. La vibración es generalmente una advertencia de algún problema.
17. Siempre use protección adecuada para los ojos y las vías respiratorias cuando opere la podadora.
18. El uso de accesorios o dispositivos no recomendados para utilizar con esta podadora puede ser peligroso. Sólo utilice accesorios aprobados por Black & Decker.
19. Nunca se estire demasiado mientras opera la podadora. Siempre asegúrese de tener los pies bien apoyados y de conservar el equilibrio en todo momento mientras opera la podadora.

OPERACIÓN EN PENDIENTES

Las pendientes son un factor importante en los accidentes de resbalamiento y caída, que pueden provocar lesiones graves. La operación en todas las pendientes requiere de cuidado adicional. Si se siente incómodo en una pendiente, no corte el césped en ella.

1. En las pendientes corte el césped transversalmente a la superficie; nunca subiéndolas y bajándolas. Sea extremadamente cuidadoso cuando cambie de dirección sobre pendientes.
2. Tenga cuidado con agujeros, surcos, bultos, piedras u otros objetos ocultos. Un terreno irregular puede provocar un accidente de resbalamiento y caída. El césped alto puede ocultar los obstáculos.
3. No corte el césped si éste está mojado o en pendientes demasiado pronunciadas. No tener los pies bien apoyados puede provocar un accidente de resbalamiento y caída.
4. No corte el césped cerca de barrancos, zanjas o terraplenes. Puede perder el apoyo de los pies o el equilibrio.

NIÑOS

Pueden producirse accidentes trágicos si el operador no está atento a la presencia de niños. Con frecuencia los niños se sienten atraídos por la podadora y la actividad de cortar el césped. Nunca dé por sentado que los niños permanecerán donde los vio por última vez.

1. Mantenga a los niños fuera del área de trabajo y bajo el cuidado atento de un adulto responsable que no sea el operador.

2. Esté atento y apague la podadora si un niño entra al área.
3. Nunca permita que los niños operen la podadora.
4. Tenga especial cuidado al acercarse a esquinas ciegas, arbustos, árboles u otros objetos que puedan bloquear su vista de un niño.

MANTENIMIENTO GENERAL

1. Nunca opere la podadora en un área cerrada.
2. Mantenga ajustados todos los pernos y tuercas para asegurarse de que el equipo esté en condiciones de trabajo seguras.
3. Nunca haga cambios indebidos en los dispositivos de seguridad. Verifique regularmente que funcionen correctamente.
4. Mantenga la podadora libre de césped, hojas u otras acumulaciones de residuos. Espere a que la podadora se enfríe antes de guardarla.
5. Si golpea un objeto extraño, suelte empuñadura de estribo (interruptor de palanca) (2) para apagar la podadora, espere que la hoja se detenga y desconecte cortadora, luego inspeccione la podadora. Reparación, cualquier daño, antes de arrancar y operarla..
6. Nunca realice ajustes o reparaciones con el motor en funcionamiento o con la llave de seguridad en la podadora.
7. Desenchufe siempre podadora antes de ajustar, limpiar, reparar, inspección, transporte, almacenamiento o salir de la corte.
8. Verifique frecuentemente los componentes del recolector de césped y el protector de la descarga, y cuando sea necesario reemplácelos sólo con piezas recomendadas por Black & Decker.
9. Las hojas de la podadora son filosas. Envuelva la hoja o use guantes, y tenga especial cuidado al realizar mantenimiento en ellas.
10. Cuide o reemplace las etiquetas de seguridad y de instrucciones, según sea necesario.

Este dispositivo cumple con la parte 15 de las normas de la Comisión Federal de Comunicaciones de los Estados Unidos (FCC). La operación está sujeta a las dos condiciones siguientes: (1) este dispositivo no puede causar interferencia perjudicial y (2) este mecanismo debe aceptar cualquier interferencia recibida, incluida la interferencia que puede provocar una operación no deseada.

NOTA: Este equipo ha sido probado y se encontró que cumple con los límites para dispositivo digital Clase B, según la parte 15 de las normas de la FCC. Estos límites están diseñados para brindar protección razonable contra interferencia perjudicial en una instalación residencial. Este equipo genera, usa y puede irradiar energía en frecuencia de radio y, si no se instala y se usa de acuerdo con las instrucciones, puede provocar interferencia perjudicial en las comunicaciones de radio. Sin embargo, no hay garantía de que la interferencia no ocurra en una instalación en particular. Si este equipo provoca interferencia perjudicial en la recepción de radio o televisión, lo que se puede determinar al apagar y encender el equipo, el usuario debe tratar de corregir la interferencia mediante una o más de las siguientes medidas:

- Cambiar la orientación o la ubicación de la antena de recepción.
- Aumentar la separación entre el equipo y el receptor.
- Conectar el equipo a un tomacorriente sobre un circuito diferente de aquel al que está conectado el receptor.
- Consultar al vendedor o pedir la ayuda de un técnico en radio y televisión con experiencia.

Los cambios o las modificaciones que se le realicen a esta unidad sin aprobación expresa del tercero responsable del cumplimiento pueden anular la autorización del usuario para operar el equipo. Este aparato digital de la clase B se conforma con ICES-003 canadiense.

PARA TODAS LAS CORTADORAS DE CÉSPED CON DOBLE AISLAMIENTO

1. Piezas de repuesto
- Al efectuar mantenimiento, únicamente utilice piezas de repuesto idénticas.
2. Conexiones polarizadas del aparato
- Para disminuir el riesgo de descargas eléctricas, este aparato posee un enchufe polarizado (una pata es más ancha que la otra) y requerirá el uso de un cable prolongador polarizado. El enchufe del aparato encajará en un cable prolongador polarizado de una sola manera. Si el enchufe no encaja por completo en el cable prolongador, voltéelo. Si aun así no encaja, obtenga un cable prolongador polarizado adecuado. Un cable prolongador polarizado requerirá el uso de un tomacorriente de pared polarizado. Este enchufe se ajustará en un tomacorriente de pared polarizado de una sola manera. Si el enchufe no encaja por completo en el tomacorriente de pared, voltéelo. Si aun así no encaja, recurra a un electricista calificado para que instale un tomacorriente de pared adecuado. No cambie el enchufe del equipo, el tomacorriente del cable prolongador ni el enchufe del cable prolongador de ninguna manera.

⚠️ ADVERTENCIA: INSTRUCCIONES Y ADVERTENCIAS GENERALES DE SEGURIDAD PARA TODAS LAS HERRAMIENTAS

- **ESTA HERRAMIENTA PUEDE SER PELIGROSA.** Respete todas las advertencias y las instrucciones de seguridad de este manual. El operador es responsable de respetar las advertencias e instrucciones de este manual y las que están en la unidad. Restrinja el uso de esta podadora a las personas que lean, comprendan y respeten las advertencias e instrucciones de este manual y las que están en la unidad.

- **Evite los entornos peligrosos:** No utilice podadoras de césped en lugares húmedos o mojados.
- **No utilice la unidad bajo la lluvia.**
- **Mantenga a los niños alejados:** Todos los visitantes deben mantenerse a una distancia segura del área de trabajo.
- **Use la vestimenta adecuada:** No use ropa holgada ni joyas. Pueden quedar atrapadas en las piezas móviles. Al trabajar al aire libre, se recomienda usar guantes de goma y calzado.
- **Use anteojos de seguridad:** Siempre use una careta o una máscara contra el polvo si la operación produce polvo.
- **Utilice el aparato correcto:** No utilice la podadora de césped para ningún trabajo salvo aquel para el cual se diseñó.
- Se debe contar con la protección de un interruptor de corte por falla a tierra (GFCI, por sus siglas en inglés) en el o los circuitos o tomacorrientes que se utilizarán para la cortadora de césped. Existen receptáculos disponibles con protección GFCI incorporada y pueden utilizarse para esta medida de seguridad.

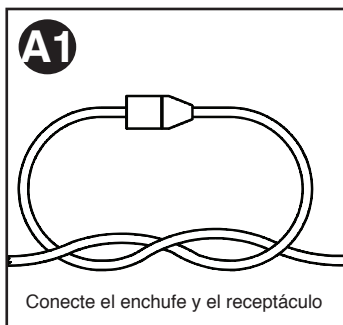
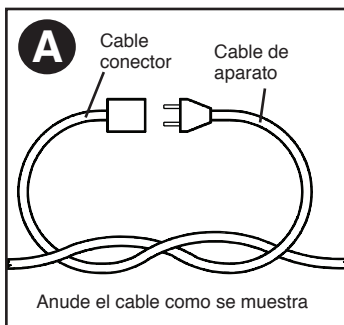
- **⚠️ ADVERTENCIA:** Para evitar la descarga eléctrica, únicamente utilice con un cable prolongador adecuado para uso en exteriores, como SW, SOW, STW, STOW, SJW, SJOW, SJTW o SJTOW.

USO DE CABLES PROLONGADORES

Antes de utilizar un cable prolongador, asegúrese de que esté en buenas condiciones. Siempre utilice cables prolongadores del tamaño adecuado para la herramienta; es decir, un tamaño de conductor adecuado para las diversas longitudes de cable y con la suficiente capacidad para conducir la corriente que utilizará la herramienta. El uso de un cable de menor capacidad provocará una caída del voltaje de línea que resultará en pérdida de potencia y sobrecalentamiento. Consulte la tabla a continuación para conocer las capacidades adecuadas de los cables. Para reducir la probabilidad de desconexión del cable de césped cortadora de césped del conjunto de cables durante la operación:

- haga un nudo como se muestra en las Figuras A y A1, o bien
- utilice una de las correas o conectores de retención para enchufe-receptáculo que se describen en este manual.

Calibre mínimo para cables de extensión					
Volts	Longitud total del cable en pies				
120V	0-25	26-50	51-100	101-150	
	(0-7,6m)	(7,6-15,2m)	(15,2-30,4m)	(30,4-45,7m)	
240V	0-50	51-100	101-200	201-300	
	(0-15,2m)	(15,2-30,4m)	(30,4-60,9m)	(60,9-91,4m)	
Amperaje					
Más de	No más de		American Wire Gage		
0 - 6	18	16	16	14	
6 - 10	18	16	14	12	
10 - 12	16	16	14	12	
12 - 16	14	12	No se recomienda		



- **No maltrate el cable:** nunca transporte la cortadora de césped sosteniéndola por el cable ni tire de éste para desconectarlo del receptáculo. Mantenga el cable alejado del calor, el aceite y los bordes afilados.
- **No fuerce la podadora de césped:** Funcionará mejor y en forma más segura si la utiliza a la velocidad para la que fue diseñada.
- **No se estire demasiado:** Conserve la estabilidad y el equilibrio adecuados en todo momento.
- **Manténgase alerta Fíjese en lo que está haciendo.** Use el sentido común. No utilice la podadora de césped si está cansado.
- **Desconecte la cortadora de césped:** desconecte la cortadora de césped del suministro de alimentación cuando no esté en uso, antes de realizarle mantenimiento, al cambiar accesorios como hojas y en otros casos similares.
- **Guarde la podadora de césped en desuso bajo techo:** Cuando no se utilice, la podadora de césped debe guardarse bajo techo en un lugar seco y bajo llave, lejos del alcance de los niños.
- **Realice el mantenimiento de la podadora de césped con cuidado:** Mantenga afilados y limpios los bordes de corte para obtener el mejor y más seguro rendimiento. Siga las instrucciones para lubricar y cambiar los accesorios. Inspeccione el cable de la cortadora de césped periódicamente y, en caso de detectar daños, haga que lo reparen en un centro de mantenimiento autorizado. Inspeccione periódicamente los cables prolongadores y reemplácelos si están dañados. Mantenga los mangos

- secos, limpios y sin restos de aceite ni grasa.
- **Mantenga los protectores en su lugar y en buenas condiciones.**
- **Mantenga afiladas las hojas.**
- **Mantenga las manos y los pies alejados del área de corte.**
- **Los objetos golpeados por la hoja de la podadora de césped pueden provocar lesiones graves a las personas.** Siempre debe examinar el césped cuidadosamente y remover todo objeto antes de cada poda.
- **Si la podadora de césped golpea un objeto extraño, siga los pasos a continuación:**
 - Detenga la podadora de césped. Suelte el interruptor.
 - Desenchufe el cable de alimentación.
 - Inspeccione si hay daños.
 - Repare cualquier daño antes de volver a arrancar y utilizar la podadora de césped.
- **Utilice únicamente hojas de repuesto idénticas.**

CONSERVE ESTAS INSTRUCCIONES

⚠️ ADVERTENCIA: ADVERTENCIAS ADICIONALES PARA PODADORAS

- **VERIFIQUE QUE NO HAYA PIEZAS DAÑADAS.** Antes de volver a usar la podadora, se debe controlar cualquier protección u otra pieza que esté averiada para determinar si funcionará correctamente y realizará la función para la que fue diseñada. Verifique la alineación de las piezas móviles o si éstas se traban, la rotura de piezas, el montaje y cualquier otra condición que pueda afectar su operación. Cualquier protección u otra pieza que esté dañada debe ser reparada correctamente o reemplazada por un centro de mantenimiento autorizado, a menos que este manual indique otra cosa.
- **MANTENIMIENTO Y REPARACIONES.** Las reparaciones, el mantenimiento y los ajustes que no estén especificados en este manual deben ser realizados por los centros de mantenimiento autorizados de Black & Decker o por otras organizaciones de mantenimiento calificadas, y siempre deben usarse piezas de repuesto idénticas.

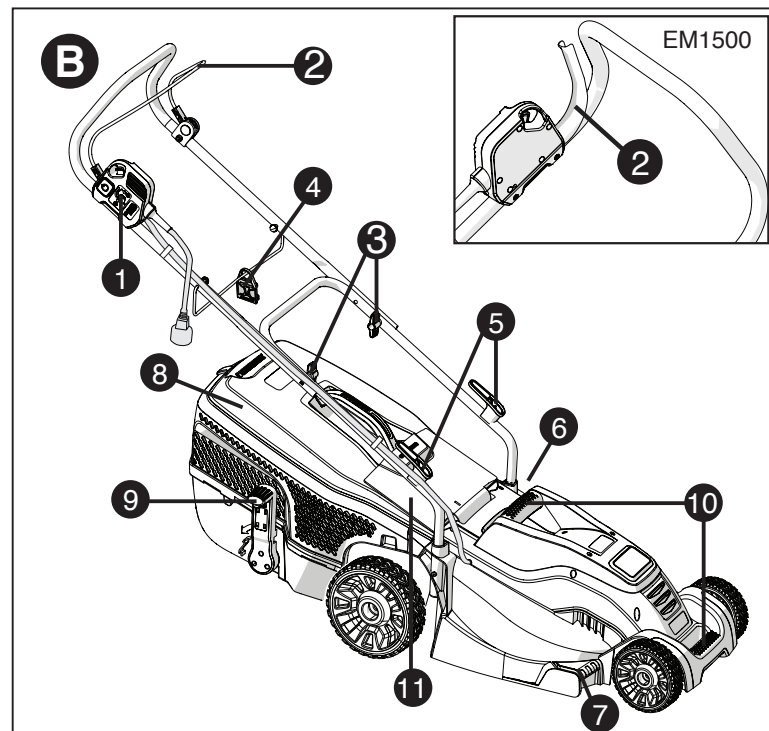
- **⚠️ ADVERTENCIA:** Parte del polvo generado por este producto contiene productos químicos reconocidos por el Estado de California como causantes de cáncer, defectos de nacimiento u otros problemas reproductivos. Algunos ejemplos de estos productos químicos son:

- compuestos en fertilizantes
- compuestos en insecticidas, herbicidas y pesticidas
- arsénico y cromo de madera con tratamiento químico

Para reducir su exposición a estos productos químicos, use equipo de seguridad aprobado, como máscaras para polvo que están diseñadas especialmente para filtrar las partículas microscópicas.

DESCRIPCIÓN DE LAS FUNCIONES (FIGURA B)

- 1.) Caja del interruptor
- 2.) Manija de seguridad (EM1700), interruptor de palanca (EM1500)
- 3.) Perillas de almacenamiento en el mango
- 4.) Gestión de cables inteligentes
- 5.) Soporte de almacenaje de los cables
- 6.) Ajuste de la altura (no se muestra)
- 7.) EdgeMax™
- 8.) Cajón de recolección de hierba
- 9.) Palanca compacto
- 10.) Asas de transporte
- 11.) Solapa de vaciado de la hierba



MONTAJE

⚠ ADVERTENCIA: Antes de proceder al montaje, compruebe que el aparato está apagado y desenchufado.

MONTAJE DEL CAJÓN DE RECOLECCIÓN DE HIERBA (FIG. C)

⚠ ADVERTENCIA: En condiciones normales de uso, el ensamblaje de la caja de recolección está sometido a deterioro y desgaste y, por tanto, debe revisarse con frecuencia para su reemplazo. Debe comprobarse el cumplimiento de todo ensamblaje de repuesto con las recomendaciones de Black and Decker.

Se requiere el montaje del cajón (8) para la hierba antes de su uso. Se compone de cinco piezas.

- Sujete la empuñadura (8a) con la tapa (8b) del cajón para la hierba. La empuñadura solo se ajustará hacia una dirección.
- Sujete los dos lados (8c) del cajón de recolección de hierba juntos. Asegúrese de que todas las sujeciones estén alineadas.
- Alinee los lados montados en la parte inferior (8d) del cajón de recolección de hierba. Asegúrese de que las 4 guías estén alineadas.
- Ajunte ambas partes. Aplique la misma fuerza alrededor de los bordes del cajón de recolección de hierba fijando las sujeciones en su posición de manera uniforme. Compruebe que cada sujeción está correctamente fijada.
- Alinee la tapa (8b) con el cajón de recolección de hierba montado. Asegúrese de que las 10 guías estén alineadas.

NOTA: Tenga mucho cuidado al alinear las dos sujeciones en la parte posterior del cajón de recolección de hierba.

- Presione la tapa para asegurar todas las sujeciones. Empiece por la parte posterior y asegúrese de que todas las sujeciones están bien ubicadas.

MONTAJE DE LA EMPUÑADURA INFERIOR (FIG. D)

- Inserte las terminaciones de la parte inferior de la empuñadura en los agujeros correspondientes del cortacésped.
- Presione la empuñadura hacia abajo hasta que encaje.
- Fije la empuñadura con los tornillos.

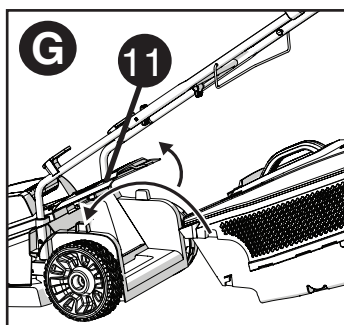
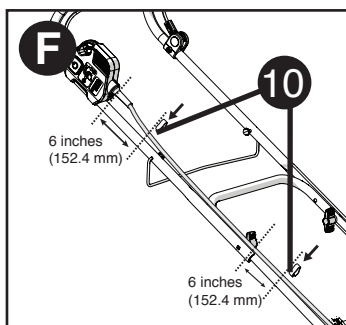
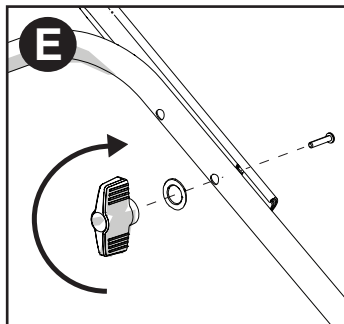
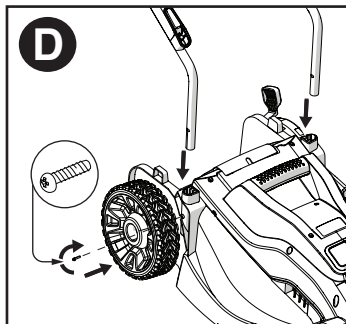
COLOCACIÓN DE LA EMPUÑADURA SUPERIOR (FIG. E)

- Ajuste la parte de la empuñadura superior en la empuñadura inferior mediante los reguladores (3), las arandelas y los tornillos como se muestra en la ilustración.

FIJACIÓN DEL CABLE DEL MOTOR (FIG. F)

El cable del motor debe colocarse por medio de fijaciones.

- Para sujetar el cable al mango, enganche un clip de retención (10) alrededor de la manija del cable y la parte superior de 152.4 mm (6 pulgadas) por debajo de la caja del interruptor (1).
- Coloque el segundo clip de sujeción alrededor del cable y mango inferior a 152.4 mm (6 pulgadas) por debajo de la perilla de palanca (3).



MONTAJE DEL CAJÓN DE RECOLECCIÓN DE HIERBA (FIG. G)

- Levante la solapa de vaciado de la hierba (11) y coloque el cajón de recolección de hierba (8) sobre los salientes.

FUNCIONAMIENTO

ANTES DE OPERAR LA PODADORA, LEA ESTE MANUAL DE INSTRUCCIONES Y LAS NORMAS DE SEGURIDAD. Consulte "Descripción de las funciones" para familiarizarse con la ubicación de los diversos controles y ajustes. Conserve este manual para futuras consultas.

⚠ ADVERTENCIA: Cuchillas rotatorias pueden causar lesiones graves. Para evitar lesiones graves, desconecte máquina desatendida, limpieza, el mantenimiento, el transporte, elevación, o guardar la segadora.

⚠ ADVERTENCIA: Hoja móvil filosa. Por su propia seguridad, NO utilice esta podadora sin el recolector de césped o la pieza para mantillo en su posición de funcionamiento, ya que pueden producirse lesiones graves.

⚠ ADVERTENCIA: Hoja móvil filosa. No opere la podadora si la puerta trasera no está cerrada bajo tensión de resorte, ya que pueden producirse lesiones graves. Lleve la podadora al centro de mantenimiento más cercano para reparación.

⚠ ADVERTENCIA: No opere la cortadora sin caja de colección adjunta.

⚠ ADVERTENCIA: Deje que el aparato funcione a su ritmo. No la sobrecargue.

AJUSTE DE LA ALTURA DEL CORTE (FIG. H)

La altura del corte se ajusta con el mecanismo de ajuste de altura central. Existen seis posiciones entre las que escoger.

Para establecer la altura del corte

- Tire la palanca de ajuste de altura (6) lejos del cuerpo de la unidad.
- Mueva la palanca hacia la parte posterior del aparato para reducir la altura de corte.
- Mueva la palanca hacia la parte frontal del aparato para aumentar la altura de corte.
- Empuje la palanca de ajuste de altura hacia una de las seis ubicaciones de altura.

NOTA: La altura de corte se puede ver en la altura del indicador de corte (12) en el lado de la unidad.

ENCENDIDO Y APAGADO (FIG. I)

⚠ PELIGRO: hoja en movimiento nítidas. Nunca intente anular el funcionamiento del interruptor Como pueden ocasionar heridas graves.

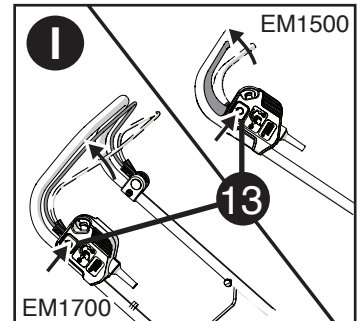
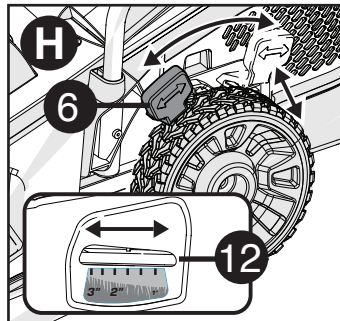
Encendido

- Empuje y mantenga el botón de desbloqueo (13).
- Tire el interruptor de encendido/apagado (interruptor de palanca) (2) hacia la empuñadura.
- Suelte el botón de desbloqueo.

Apagado

- Suelte el interruptor de encendido/apagado (interruptor de palanca) (2).

⚠ ADVERTENCIA: No intente nunca trabar un interruptor en la posición de encendido.

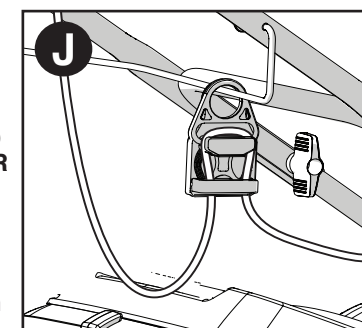


CORTAR (FIG. J - K)

NOTA: SIEMPRE INSPECCIONE EL ÁREA DONDE SEGADORA SE VA A UTILIZAR Y ELIMINAR TODAS LAS PIEDRAS, PALOS, CABLES, HUESOS Y RESTOS DE OTRO TIPO QUE PUEDAN SER LANZADOS POR LA CUCHILLA GIRATORIA.

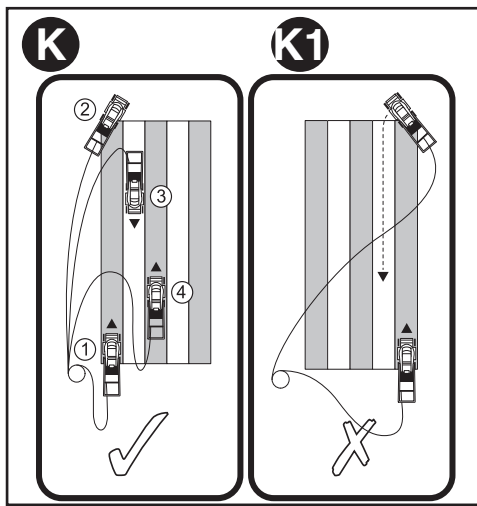
Es recomendable utilizar el cortacésped tal y como se describe en esta sección con el fin de obtener unos resultados óptimos y reducir el riesgo de que se produzca un corte en el cable de alimentación.

- Enganche el cable de alimentación a través del sistema de gestión de cables inteligentes(4) tal como se muestra en la ilustración (fig. J). Asegúrese de que deja aproximadamente 100 cm de cable entre la caja del interruptor(1) y la fijación de gestión de cables inteligentes.
- Asegúrese de que la fijación del cable se pueda deslizar libremente de una empuñadura a otra.
- Coloque el resto del cable de alimentación en el césped, cerca del



lugar por donde vaya a empezar a trabajar (posición 1 de la fig. J).

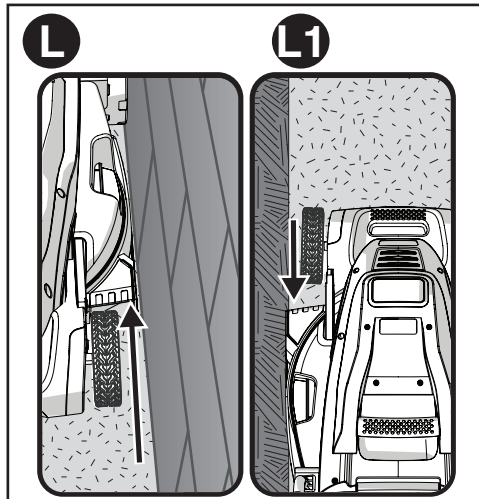
- Encienda el aparato según las instrucciones anteriores.
- Realice el procedimiento que se muestra en la fig. K.
- Muévase desde la posición 1 a la posición 2.
- Gire hacia la derecha sin pisar el cable y continúe hacia la posición 3. La fijación del cable se deslizará de un lado de la empuñadura al otro y asegurará que el cable quede fuera de la hoja de corte.
- Gire hacia la izquierda sin pisar el cable y muévase hacia la posición 4. La fijación del cable se deslizará de un lado de la empuñadura al otro y asegurará que el cable quede fuera de la hoja de corte.
- Repita el procedimiento anterior según lo necesite. Atención: No trabaje en dirección al cable, tal y como se muestra en la fig. K1.



EDGEMAX™ (FIG. L)

EdgeMax™ (7) le permite cortar el césped directamente hasta el borde de una pared o una valla (fig. L). EdgeMax™ le permite cortar el césped con exactitud hasta la valla (fig. L1).

- Con el cortacésped colocado en paralelo con el borde del césped.
- Empuje el cortacésped a lo largo del borde del césped. Asegúrese de que el EdgeMax™ está ligeramente por encima del borde del césped (fig. L1)



COMPACT&GO (FIG. M)

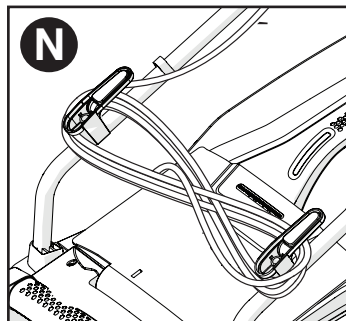
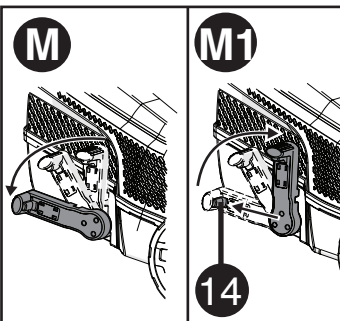
Cuando el cajón de recolección de hierba esté lleno, puede compactar la hierba en el cajón de recolección. Puede determinar cómo está de lleno el cajón de recolección de hierba mirando a través de la solapa de vaciado de hierba (11).

- Suelte el interruptor de encendido/apagado (interruptor de palanca) (2).
- Con el pie derecho, presione la palanca de compactación de hierba (9) hacia abajo hasta que quede fijada en su lugar.

NOTA: La hierba del cajón de recolección ahora está comprimida en la parte posterior del cajón. Puede continuar cortando el césped hasta que el cajón de recolección de hierba esté lleno.

VACIADO DEL CAJÓN DE RECOLECCIÓN DE HIERBA (FIG. M1)

- Suelte el interruptor de encendido/apagado (interruptor de palanca) (2).
- Extraiga el cajón de recolección de hierba (10).
- Vacíe el contenido del cajón por la parte frontal del cajón.
- Coloque el cajón de recolección de hierba en el suelo y mantenga pulsado el botón de apertura de la palanca de compactación de hierba (14).
- Levante la palanca de compactación de hierba (9) en posición vertical y deje el botón de apertura de la palanca.
- Vacíe el contenido por la parte posterior del cajón.



ALMACENAJE DE LOS CABLES (FIG. N)

Los soportes del cable (5) ofrecen una forma segura y adecuada de almacenamiento del cable cuando no se utiliza.

- Enrolle el cable alrededor de los soportes del cable formando un ocho.

TRANSPORTE DEL CORTACÉSPED

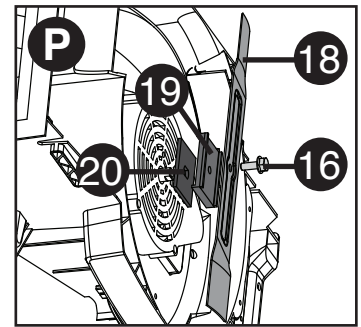
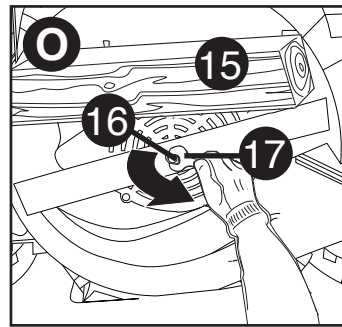
- ⚠ **ADVERTENCIA:** cuchilla giratoria puede causar lesiones graves. Manija de liberación bajo fianza (interruptor de palanca) (2) para apagar la podadora y desenchufe podadora antes de levantar, transportar o almacenar el cortacésped. Guárdelo en un lugar seco.
- Es posible transportar el cortacésped mediante las asas de transporte correspondientes (10).

RETIRO DE LA HOJA: (FIG. O - P)

- ⚠ **ADVERTENCIA:** Asegúrese de que la hoja se ha detenido completamente y desconecte el aparato de la toma de corriente.

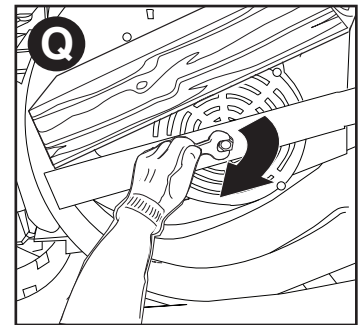
⚠ **ADVERTENCIA:** Utilice sólo la hoja de repuesto especificada: EMB1500 (EM1500 cortacésped) and EMB1700 (EM1700 cortacésped)

- **MANIJA DE LIBERACIÓN FIANZA (INTERRUPTOR DE PALANCA) (2) PARA APAGAR LA PODADORA, ESPERE QUE LA HOJA SE DETENGA Y DESENCHUFE LA PODADORA..**
- Cortar un trozo de madera de 2x4 (15) (aproximadamente 1 pie de largo) (305 mm) para mantener la cuchilla gire mientras se quita la tuerca de la brida.
- Apague el aparato hacia un lado. Use guantes y protección ocular adecuada. Tenga cuidado con los bordes afilados de la cuchilla.
- Posición trozo de madera (15) para mantener la cuchilla gire como se muestra en la figura N.
- Utilice una llave de 9/16 pulgada para aflojar y quitar el perno de la cuchilla (16) por turningcounterclockwise.
- Sacar la cuchilla (17) y el perno de la cuchilla.
- Quite la hoja (18), el aislador de la hoja (19) y el separador (20) como se muestra en la Figura P. Examine todas las piezas en busca de daños y reemplácelas si es necesario.



INSTALACIÓN DE LA HOJA: (FIG. Q)

- Deslice la cuchilla en el eje del tornillo y colocar el perno de la cuchilla (16) en el eje del tornillo.
- Apriete el perno de la cuchilla lo más firme posible con la mano.
- Posición trozo de madera (15) para mantener la cuchilla gire como se muestra en la figura O. Instale la tuerca brida con la brida contra el espaciador de cuchilla y apriete bien.
- Utilice un 9/16 pulgada llave para apretar firmemente el perno de la cuchilla girando la llave en sentido horario.



AFILADO DE LA HOJA

MANTENGA LA HOJA AFILADA PARA OBTENER EL MEJOR RENDIMIENTO DE LA PODADORA. UNA HOJA DESAFILADA NO PRODUCE UN CORTE LIMPIO DEL CÉSPED NI CORTES ADECUADOS PARA MANTILLO.

UTILICE PROTECCION EN LOS OJOS MIENTRAS SE QUITA, LA NITIDEZ Y INSTALAR LA HOJA. COMPRUEBE SI EL CORTACÉSPED ESTÁ DESENCHUFADO.

En circunstancias normales, generalmente es suficiente afilar la hoja dos veces durante una temporada de corte del césped. La arena hace que la hoja se desafilé rápidamente. Si su césped tiene un suelo arenoso, es probable que se requiera un afilado más frecuente. REEMPLACE DE INMEDIATO UNA HOJA DOBLADA O DANADA.

AL AFILAR LA HOJA:

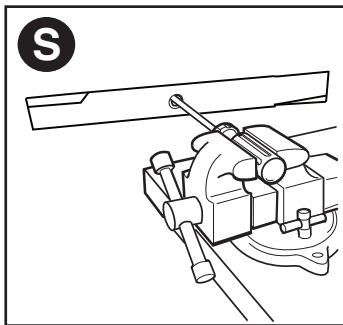
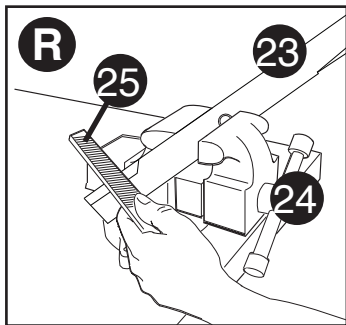
1. Asegúrese de que la hoja se mantenga simétrica.
2. Afile la hoja según el ángulo de corte original.
3. Afile los bordes de corte en ambos extremos de la hoja, retirando la misma cantidad de material en ambos extremos.

PARA AFILAR LA HOJA EN UNA PRENSA (FIG. R):

1. Asegúrese de soltar la palanca del interruptor (interruptor de palanca) (2), que la hoja se haya detenido y que la llave de seguridad y el paquete de baterías se hayan retirado antes de quitar la hoja.
2. Retire la hoja de la podadora. Consulte las instrucciones para retirar e instalar la hoja.
3. Asegure la hoja (23) en una prensa (24).
4. Use guantes y protección adecuada para los ojos, y tenga cuidado de no cortarse.
5. Lime cuidadosamente los bordes de corte de la hoja con una lima de dientes finos (25) o una piedra de afilar, manteniendo el borde de corte original.
6. Verifique la simetría de la hoja. Consulte las instrucciones para simetría de la hoja.
7. Vuelva a colocar la hoja en la podadora y ajústela firmemente.

SIMETRÍA DE LA HOJA (FIG. S)

Verifique la simetría de la hoja colocando el agujero central de la hoja (23) sobre un clavo o un destornillador de vástago redondo, sujeto horizontalmente en una prensa. Si alguno de los extremos de la hoja gira hacia abajo, lime ese extremo. La hoja tiene una simetría adecuada cuando ninguno de los extremos baja.



LUBRICACIÓN

No se necesita ningún tipo de lubricación. No aceite las ruedas. Tienen superficies plásticas en los rodamientos que no requieren lubricación alguna.

LIMPIEZA

Suelte la palanca del interruptor (interruptor de palanca) (2) para apagar la podadora, espere hasta que la hoja se detenga y luego retire la llave de seguridad y el paquete de baterías. Para limpiar la podadora, utilice únicamente jabón suave y un paño húmedo. Limpie todos los recortes de césped que podrían haberse acumulado por debajo de la plataforma. Después de varios usos, verifique el ajuste de todos los elementos de fijación expuestos. Asegúrese de que los terminales y el compartimiento de baterías de la podadora estén libres de residuos.

PREVENCIÓN DE LA CORROSIÓN

Los fertilizantes y otros productos químicos para el jardín contienen agentes que aceleran considerablemente la corrosión de los metales. Si corta el césped en áreas donde se han utilizado fertilizantes o productos químicos, se debe limpiar la podadora inmediatamente después del modo siguiente: (1) suelte la palanca del interruptor para apagar la podadora y retire la llave de seguridad y el paquete de baterías, (2) limpie todas las piezas expuestas con un paño húmedo.

⚠ PRECAUCIÓN: NO VIERTA NI ROCÍE AGUA SOBRE LA PODADORA PARA LIMPIARLA. No guarde la herramienta sobre o junto a fertilizantes o productos químicos. Dicho almacenamiento puede provocar una rápida corrosión.

POSICIÓN DE ALMACENAMIENTO

Para un almacenamiento más compacto, la podadora puede guardarse en posición vertical, con el mango plegado.

Afloje las dos perillas inferiores (5) y baje la sección del mango a su posición. Tenga cuidado de no pellizcar el cable de alimentación. Ajuste las dos perillas inferiores y ponga la podadora en posición vertical de modo que se apoye sobre el mango y las ruedas traseras y el lado de la hoja esté contra una pared.

⚠ PRECAUCIÓN: Punto de pliegue. Para evitar pellizcos, mantenga los dedos lejos del área entre los mangos al bajarlos.

CONSEJOS PARA UN USO ÓPTIMO

- Si la altura de la hierba es superior a 10 cm aproximadamente, realice dos cortes para obtener un resultado óptimo. El primer corte debe realizarse con la altura máxima y, a continuación, debe utilizar una altura de corte media o baja.
- Para obtener unos resultados óptimos, corte únicamente los.

SOBRECARGA SEGADORA

Para prevenir los daños debidos a condiciones de sobrecarga, no trate de cortar la hierba demasiado a la vez. Baje el ritmo de corte o aumente la altura de corte.

CUMPLE CON LOS REQUISITOS DE SEGURIDAD CPSC

Black and Decker Cortadoras se ajustan a las normas de seguridad del American National Standards Institute, y de la Comisión de Seguridad de Productos del Consumidor EE.UU.. La cuchilla gira cuando el motor está en marcha.

MANTENIMIENTO

IMPORTANTE: Para asegurar la SEGURIDAD y CONFIABILIDAD del producto, las reparaciones, el mantenimiento y el ajuste (incluida la inspección y reemplazo de los cepillos) deben realizarlos los centros de mantenimiento de BLACK & DECKER u otras organizaciones de mantenimiento calificadas, siempre utilizando piezas de repuesto de Black & Decker. Al realizar el mantenimiento utilice SOLO PIEZAS DE REPUESTO IDENTICAS.

ACCESORIOS

Los accesorios recomendados para uso con la podadora están disponibles en su distribuidor local o centro de mantenimiento autorizado. Si necesita asistencia en relación con los accesorios, llame al: **1-800-544-6986**

⚠ ADVERTENCIA: El uso de cualquier accesorio no recomendado para uso con esta herramienta puede resultar peligroso.

INFORMACIÓN DE MANTENIMIENTO

Todos los Centros de mantenimiento de Black & Decker cuentan con personal altamente capacitado dispuesto a brindar a todos los clientes un servicio eficiente y confiable en la reparación de herramientas eléctricas. Si necesita consejo técnico, reparaciones o piezas de repuesto originales de fábrica, póngase en contacto con el centro de mantenimiento de Black & Decker más cercano a su domicilio. Para ubicar su centro de servicio local, llame al (55)5326-7100 o visite nuestro sitio www.blackanddecker.com.

GARANTÍA COMPLETA DE DOS AÑOS PARA USO EN EL HOGAR

Black & Decker (Estados Unidos) Inc. ofrece una garantía de dos años por cualquier defecto del material o de fabricación de este producto. El producto defectuoso se reparará o reemplazará sin costo alguno de dos maneras.

La primera opción, el reemplazo, es devolver el producto al comercio donde se lo adquirió (siempre y cuando se trate de un comercio participante). Las devoluciones deben realizarse conforme a la política de devolución del comercio (generalmente, entre 30 y 90 días posteriores a la venta). Le pueden solicitar comprobante de compra. Consulte en el comercio acerca de la política especial sobre devoluciones una vez excedido el plazo establecido.

La segunda opción es llevar o enviar el producto (con flete pago) a un Centro de mantenimiento propio o autorizado de Black & Decker para su reparación o reemplazo según nuestro criterio. Le pueden solicitar el comprobante de compra.

Esta garantía no se extiende a los accesorios. Esta garantía le concede derechos legales específicos; usted puede tener otros derechos que pueden variar según el estado o la provincia. Si tiene alguna pregunta, comuníquese con el gerente del Centro de mantenimiento de Black & Decker de su zona. Este producto no está diseñado para uso comercial.

AMÉRICA LATINA: esta garantía no se aplica a los productos que se venden en América Latina. Para los productos que se venden en América Latina, debe consultar la información de la garantía específica del país que viene en el empaque, llamar a la compañía local o visitar el sitio Web a fin de obtener esa información.

· **GARANTÍA BLACK & DECKER · BLACK & DECKER WARRANTY**
· **SOLAMENTE PARA PROPOSITOS DE MEXICO**

Distributor Name · *Sello firma del distribuidor*

Date of purchase · *Fecha de compra* *Invoice No. · No. de factura*

PRODUCT INFORMATION · IDENTIFICACIÓN DEL PRODUCTO

Cat. No. · *Catalogo ó Modelo* *Serial Number · No. de serie*

Name · *Nombre* *Last Name · Apellido*

Address · *Dirección*

City · *Ciudad* *State · Estado*

Postal Code · *Código Postal* *Country · País*

Telephone · *No. Teléfono*

2 AÑOS DE GARANTIA

Este producto cuenta con dos años de garantía a partir de la fecha de compra contra cualquier defecto de su funcionamiento, así como cualquier falla debido a materiales empleados para su fabricación ó mano de obra defectuosa. Nuestra garantía incluye la reparación o reposición del producto y/o componentes sin cargo alguno para el cliente incluyendo la mano de obra, esta incluye los gastos de trasportación erogados para lograr cumplimiento de esta garantía en los domicilios diversos señalados. Para hacer efectiva esta garantía deberá presentar su herramienta y esta póliza sellada por el establecimiento comercial donde se adquirió el producto. Nos comprometemos a entregar el producto en un lapso no mayor a 30 días hábiles contados a partir de la fecha de recepción del mismo en nuestros talleres de servicio autorizados.

ESTA GARANTIA NO APLICA CUANDO:

El producto se hubiese utilizado en condiciones distintas a las normales.
El producto no hubiese sido operado de acuerdo con el instructivo de uso que se acompaña.

El producto hubiese sido alterado o reparado por personas no autorizadas por nosotros.

Importador: Black & Decker S.A. de C.V.
Bosque de Cidros Acceso Radiatas No.42
3ra.Seccion de Bosques de las lomas
C.P.05120, Mexico, D.F. Tel: (01 55) 5326 7100

SOLAMENTE PARA PROPOSITOS DE MEXICO

**Grupo Realsa en herramientas,
S.A. de C.V.**

Súper Manzana 69 MZ.01 Lote 30
(Av. Torcasita)
Col. Puerto Juárez
Cancún, Quintana Roo
Tel. 01 998 884 72 27

Ferre Pat de Puebla, S.A. de C.V.

16 de Septiembre No. 6149
Col. El Cerrito
Puebla, Puebla
Tel. 01 222 264 12 12

Ferre Pat de Puebla, S.A. de C.V.

Ejército Mexicano No. 15
Col. Ejido 1ro. de Mayo
Boca del Rio, Veracruz
Tel. 01 229 167 89 89

**Servicio de Fabrica Black & Decker,
S.A. de C.V.**

Lázaro Cardenas No. 18
Col. Obrera
Distrito Federal
Tel. 55 88 95 02

**Representaciones Industriales Robles,
S.A. de C.V.**

Tezozomoc No. 89
Col. La Preciosa
Distrito Federal
Tel. 55 61 86 82

**Gpo. Comercial de Htas. y Refacciones
de Occidente, S.A. de C.V.**

Av. La Paz No. 1779
Col. Americana, S. Juaréz
Guadalajara, Jalisco
Tel. 01 33 38 25 69 78

Herramientas y Equipos Profesionales

Av. Colón 2915 Ote.
Col. Francisco I. Madero
Monterrey, Nvo. León
Tel. 01 81 83 54 60 06

**Htas. Portátiles de Chihuahua,
S.A. de C.V.**

Av. Universidad No. 2903
Col. Fracc. Universidad
Chihuahua, Chihuahua
Tel. 01 614 413 64 04

Fernando González Armenta

Bolivia No. 605
Col. Felipe Carrillo Puerto
Cd. Madero, Tampico
Tel. 01 833 221 34 50

Perfiles y Herramientas de Morelia

Gertrudis Bocanegra No. 898
Col. Ventura Puente
Morelia, Michoacán
Tel. 01 443 313 85 50

Enrique Robles

Av. de la Solidaridad No. 12713
Col. La Pradera
Irapuato, Guanajuato
Tel. 01 462 626 67 39

Hernández Martínez Jeanette

Prolongación Corregidora Nte. No. 1104
Col. Arboledas
Querétaro, Qro.
Tel. 01 442 245 25 80

PARA OTRAS LOCALIDADES LLAME AL 01 800 847 2309 o 01 800 847 2312.

BLACK & DECKER S.A. DE C.V.
BOSQUES DE CIDROS ACCESO RADIATAS NO. 42
COL. BOSQUES DE LAS LOMAS.
05120 MÉXICO, D.F.
TEL. (01 55) 5326 7100
01 800 847 2309/01 800 847 2312

