

FIRESTORM[®]

OUTILS À HAUT RENDEMENT
HERRAMIENTAS DE ALTO RENDIMIENTO

BY BLACK & DECKER

18 & 24 VOLT JIG SAWS

INSTRUCTION MANUAL

Catalog Numbers FS1800JS, FS2400JS

THANK YOU FOR CHOOSING FIRESTORM! GO TO
WWW.FIRESTORMTOOLS.COM/PRODUCTREGISTRATION
TO REGISTER YOUR NEW PRODUCT.

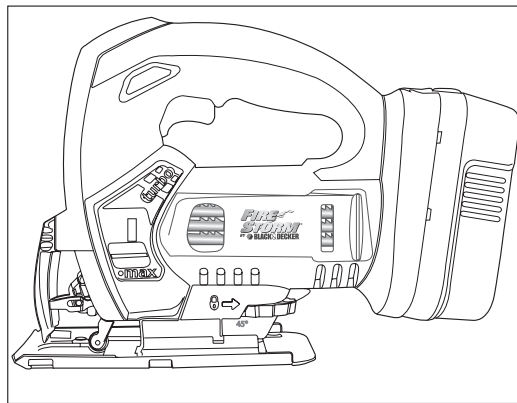
**BEFORE RETURNING THIS PRODUCT
FOR ANY REASON PLEASE CALL
1-800-544-6986**

BEFORE YOU CALL, HAVE THE CATALOG No. AND DATE CODE AVAILABLE. IN MOST CASES, A
BLACK & DECKER REPRESENTATIVE CAN RESOLVE THE PROBLEM OVER THE PHONE. IF
YOU HAVE A SUGGESTION OR COMMENT, GIVE US A CALL. YOUR FEEDBACK IS VITAL TO
BLACK & DECKER.

SAVE THIS MANUAL FOR FUTURE REFERENCE.

VEA EL ESPAÑOL EN LA
CONTRAPORTADA.

INSTRUCTIVO DE OPERACIÓN,
CENTROS DE SERVICIO Y PÓLIZA DE
GARANTÍA. ADVERTENCIA: LEASE
ESTE INSTRUCTIVO ANTES DE USAR
EL PRODUCTO.



Cat # FS1800JS, FS2400JS
Copyright © 2006 Black & Decker

Form # 5146961-02 REV. 1

(FEB. '06)
Printed in China

GENERAL SAFETY RULES - FOR ALL BATTERY OPERATED TOOLS

WARNING! READ AND UNDERSTAND ALL INSTRUCTIONS.
Failure to follow all instructions listed below, may result in electric shock, fire and/or serious
personal injury.

SAVE THESE INSTRUCTIONS

Work Area

- **Keep your work area clean and well lit.** Cluttered benches and dark areas invite accidents.
- **Do not operate power tools in explosive atmospheres, such as in the presence of flammable liquids, gases, or dust.** Power tools create sparks which may ignite the dust or fumes.
- **Keep bystanders, children, and visitors away while operating a power tool.** Distractions can cause you to lose control.

Electrical Safety

- **Do not abuse the cord.** Never use the cord to carry the tool. Keep cord away from heat, oil, sharp edges or moving parts. Replace damaged cords immediately. Damaged cords may create a fire.
- **A battery operated tool with integral batteries or a separate battery pack must be recharged only with the specified charger for the battery.** A charger that may be suitable for one type of battery may create a risk of fire when used with another battery.
- **Use battery operated tool only with specifically designated battery pack.** Use of any other batteries may create a risk of fire.

Personal Safety

- **Stay alert, watch what you are doing and use common sense when operating a power tool. Do not use tool while tired or under the influence of drugs, alcohol, or medication.** A moment of inattention while operating power tools may result in serious personal injury.
- **Dress properly. Do not wear loose clothing or jewelry. Contain long hair. Keep your hair, clothing, and gloves away from moving parts.** Loose clothing, jewelry, or long hair can be caught in moving parts. Air vents cover moving parts and should be avoided.
- **Avoid accidental starting. Be sure switch is in the locked or off position before inserting battery pack.** Carrying tools with your finger on the switch or inserting the battery pack into a tool with the switch on invites accidents.
- **Remove adjusting keys or wrenches before turning the tool on.** A wrench or key that is left attached to a rotating part of the tool may result in personal injury.
- **Do not overreach. Keep proper footing and balance at all times.** Proper footing and balance enables better control of the tool in unexpected situations.
- **Use safety equipment. Always wear eye protection.** Dust mask, non-skid safety shoes, hard hat, or hearing protection must be used for appropriate conditions.

Tool Use and Care

- **Use clamps or other practical way to secure and support the workpiece to a stable platform.** Holding the work by hand or against your body is unstable and may lead to loss of control.
- **Do not force tool. Use the correct tool for your application.** The correct tool will do the job better and safer at the rate for which it is designed.
- **Do not use tool if switch does not turn it on or off.** A tool that cannot be controlled with the switch is dangerous and must be repaired.
- **Disconnect battery pack from tool or place the switch in the locked or off position before making any adjustments, changing accessories, or storing the tool.** Such preventative safety measures reduce the risk of starting the tool accidentally.
- **Store idle tools out of reach of children and other untrained persons.** Tools are dangerous in the hands of untrained users.
- **When battery pack is not in use, keep it away from other metal objects like: paper clips, coins, keys, nails, screws or other small metal objects that can make a connection from one terminal to another.** Shorting the battery terminals together may cause sparks, burns, or a fire.
- **Maintain tools with care. Keep cutting tools sharp and clean.** Properly maintained tools, with sharp cutting edge are less likely to bind and are easier to control with sharp.
- **Check for misalignment or binding of moving parts, breakage of parts, and any other condition that may affect the tool's operation. If damaged, have the tool serviced before using.** Many accidents are caused by poorly maintained tools.

- **Use only accessories that are recommended by the manufacturer for your model.** Accessories that may be suitable for one tool may create a risk of injury when used on another tool.

Service

- **Tool service must be performed only by qualified repair personnel.** Service or maintenance performed by unqualified personnel could result in a risk of injury.
- **When servicing a tool, use only identical replacement parts. Follow instructions in the Maintenance section of this manual.** Use of unauthorized parts or failure to follow Maintenance Instructions may create a risk of electric shock or injury.

Specific Safety Rules

- **Hold tool by insulated gripping surfaces when performing an operation where the cutting tool may contact hidden wiring or its own cord.** Contact with a "live" wire will make exposed metal parts of the tool "live" and shock the operator.
- **When working on a ladder or on scaffolding be sure to lay the tool down on its side when not in use.** Some tools with large battery packs will stand upright but may be easily knocked over.
- **Keep hands away from cutting area.** Never reach underneath the material for any reason. Do not insert fingers or thumb into the vicinity of the reciprocating blade and blade clamp. Do not stabilize the saw by gripping the shoe.
- **Keep blades sharp.** Dull blades may cause the saw to swerve or stall under pressure.
- **When cutting pipe or conduit ensure that they are free from water, electrical wiring, etc.**
- **WARNING: Some dust created by power sanding, sawing, grinding, drilling, and other construction activities contains chemicals known to cause cancer, birth defects or other reproductive harm. Some examples of these chemicals are:**
 - lead from lead-based paints,
 - crystalline silica from bricks and cement and other masonry products, and
 - arsenic and chromium from chemically-treated lumber (CCA).

Your risk from these exposures varies, depending on how often you do this type of work. To reduce your exposure to these chemicals: work in a well ventilated area, and work with approved safety equipment, such as those dust masks that are specially designed to filter out microscopic particles.

- **Avoid prolonged contact with dust from power sanding, sawing, grinding, drilling, and other construction activities. Wear protective clothing and wash exposed areas with soap and water.** Allowing dust to get into your mouth, eyes, or lay on the skin may promote absorption of harmful chemicals.

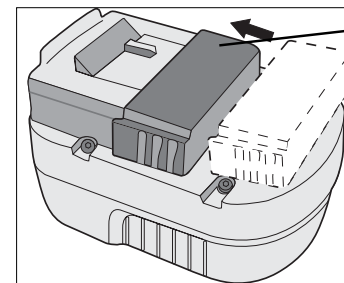
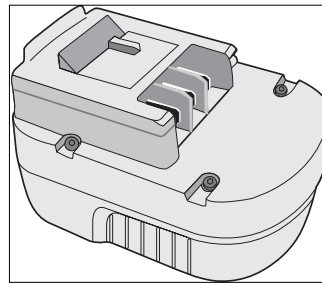
WARNING: Use of this tool can generate and/or disperse dust, which may cause serious and permanent respiratory or other injury. Always use NIOSH/OSHA approved respiratory protection appropriate for the dust exposure. Direct particles away from face and body.

The label on your tool may include the following symbols.

| | | | |
|-------------|-----------------------|----------------------|--|
| V | volts | A | amperes |
| Hz | hertz | W | watts |
| min | minutes | ~ | alternating current |
| — — — | direct current | n _o | no load speed |
| □ | Class II Construction | ⊕ | earthing terminal |
| ⚠ | safety alert symbol | .../min | revolutions or reciprocations per minute |

Battery Cap Information

Battery storage and carrying caps are provided for use whenever the battery is out of the tool or charger. Remove cap before placing battery in charger or tool.



Battery Cap
Capuchon du bloc-pile
Protector de la batería

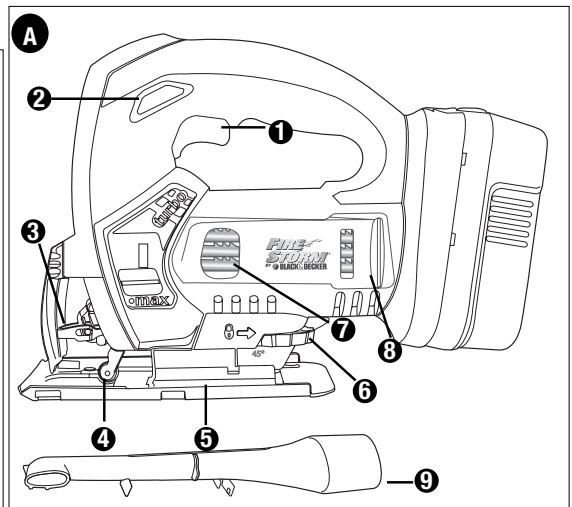
WARNING: Do not store or carry battery so that metal objects can contact exposed battery terminals. For example, do not place battery in aprons, pockets, tool boxes, product kit boxes, drawers, etc. with loose nails, screws, keys, etc. without battery cap. Transporting batteries can possibly cause fires if the battery terminals inadvertently come in contact with conductive materials such as keys, coins, hand tools and the like. The US Department of Transportation Hazardous Material Regulations (HMR) actually prohibit transporting batteries in commerce or on airplanes (i.e. packed in suitcases and carryon luggage) UNLESS they are properly protected from short circuits. So when transporting individual batteries, make sure that the battery terminals are protected and well insulated from materials that could contact them and cause a short circuit.

Features - Fig. A

1. Variable speed switch
2. Lock off button
3. Saw blade locking lever
4. Saw blade support roller
5. Shoe plate
6. Shoe plate locking knob
7. Saw blade
8. Saw blade storage compartment
9. Dust extraction adaptor

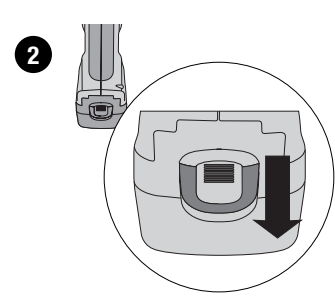
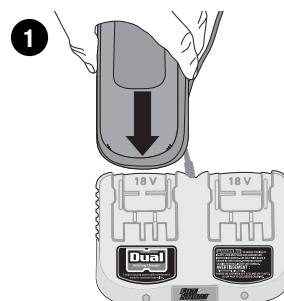
Composants - Fig. A

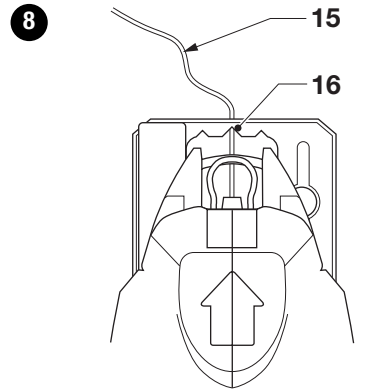
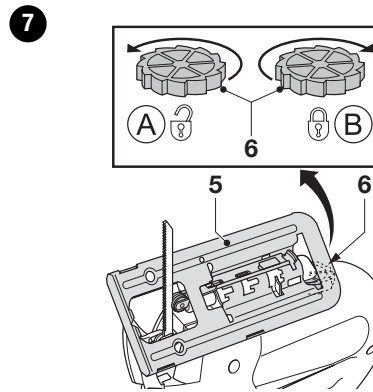
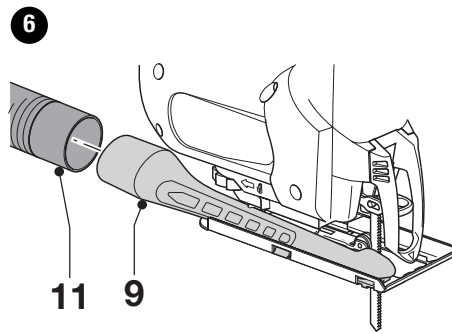
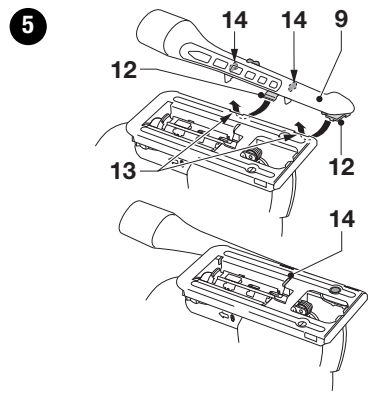
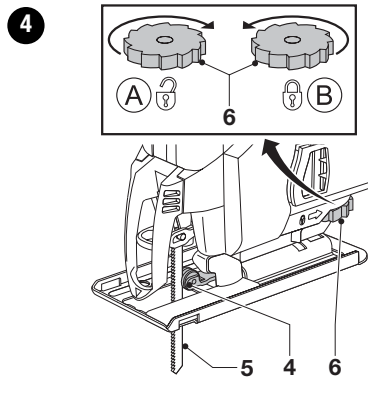
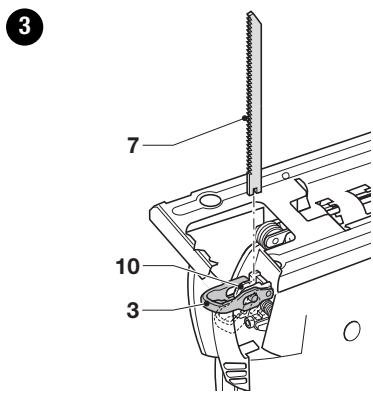
1. Interrupteur à vitesse variable
2. Bouton de verrouillage
3. Levier de verrouillage de la lame de scie
4. Galet de support de la lame de scie
5. Bouton de verrouillage de la plaque du patin
6. Bouton de verrouillage de la plaque du patin
7. Lame de scie
8. Compartiment de rangement de la lame
9. Adaptateur du tube d'aspiration



Características - Fig. A

1. Interruptor de velocidad variable
2. Botón de bloqueo
3. Palanca de bloqueo de la hoja de sierra
4. Rodillo de apoyo de la hoja
5. Platina
6. Perilla de bloqueo de la platina
7. Hoja de sierra
8. Compartimento de almacenaje de las hojas de sierra
9. Adaptador para la extracción de polvo





IMPORTANT SAFETY INSTRUCTIONS

- **SAVE THESE INSTRUCTIONS.**
- Before using charger, read and understand all instructions and cautionary markings on (1) charger, (2) battery pack, and (3) product using battery pack.
- ⚠ **DANGER:** 120 volts present at charging terminals. Do not probe with conductive objects. Danger of electric shock or electrocution.
- ⚠ **DANGER:** If battery pack case is cracked or damaged, do not insert into charger. Danger of electric shock or electrocution.
- ⚠ **DANGER:** Never attempt to open the battery pack for any reason. If the plastic housing of the battery pack breaks or cracks, return to a service center for recycling.
- ⚠ **WARNING:** Don't allow any liquid to get inside charger. Electric shock may result.
- ⚠ **CAUTION:** To reduce risk of injury, charge only Black & Decker rechargeable batteries. Other types of batteries may burst, causing personal injury and damage.
- To facilitate the cooling of the battery pack after use, avoid placing the charger or battery pack in a warm environment such as in a metal shed, or an uninsulated trailer.
- Do not expose charger to rain or snow.
- Use of an attachment not recommended or sold by Black & Decker may result in risk of fire, electric shock, or injury to persons.
- This charger is not intended for any uses other than charging Black & Decker rechargeable batteries. Any other uses may result in risk of fire, electric shock or electrocution.
- To reduce risk of damage to electric plug and cord, pull by plug rather than cord when disconnecting charger.
- Make sure cord is located so that it will not be stepped on, tripped over, or otherwise subjected to damage or stress.
- An extension cord should not be used unless absolutely necessary. Use of improper extension cord could result in risk of fire, electric shock, or electrocution. If an extension cord must be used, make sure:
 - That the pins on plug of extension cord are the same number, size and shape of those of plug on charger.
 - That extension cord is properly wired and in good electrical condition and the wire size is large enough for AC ampere rating of charger as specified below.

An extension cord must have adequate wire size (AWG or American Wire Gauge) for safety. The smaller the gauge number of the wire, the greater the capacity of the cable, that is, 16 gauge has more capacity than 18 gauge. When using more than one extension to make up the total length, be sure each individual extension contains at least the minimum wire size.

RECOMMENDED MINIMUM AWG SIZE FOR EXTENSION CORDS

| TOTAL EXTENSION CORD LENGTH (FEET) | 25 | 50 | 75 | 100 | 125 | 150 | 175 |
|------------------------------------|----|----|----|-----|-----|-----|-----|
| WIRE GAUGE | 18 | 18 | 16 | 16 | 14 | 14 | 12 |

- The charger is ventilated through slots in the housing. Do not place any object on top of charger or place the charger on a soft surface that might block the ventilation slots and result in excessive internal heat. Place the charger in a position away from any heat source.
- Do not operate charger with damaged cord or plug — have them replaced immediately.
- Do not operate charger if it has received a sharp blow, been dropped, or otherwise damaged in any way; take it to an authorized service center.
- Do not disassemble charger; take it to an authorized service center when service or repair is required. Incorrect reassembly may result in risk of electric shock, electrocution or fire.
- The charger is designed to operate on standard 120 VAC, 60Hz household electrical power. Do not attempt to use it on any other voltage.
- To reduce risk of electric shock, unplug charger from outlet before attempting any cleaning. Removing the battery pack will not reduce this risk.
- NEVER attempt to connect 2 chargers together.
- DO NOT store or use the tool and battery pack in locations where the temperature may reach or exceed 105°F (such as outside sheds or metal buildings in summer).
- A small leakage of liquid from the battery cells may occur under extreme usage, charging or temperature conditions. This does not indicate a failure. However, if the outer seal is broken and this leakage gets on your skin:
 - Wash quickly with soap and water.
 - Neutralize with a mild acid such as lemon juice or vinegar.
- If the battery liquid gets in your eyes, flush them with clean water for a minimum of 10 minutes and seek immediate medical attention. **MEDICAL NOTE:** The liquid is a 25-35% solution of potassium hydroxide.

SAVE THESE INSTRUCTIONS

INTRODUCTION

READ AND UNDERSTAND ALL OF THE INSTRUCTIONS IN THIS MANUAL BEFORE ATTEMPTING TO CHARGE THE BATTERY PACK FOR YOUR TOOL.

Your charger is designed to use standard 120 volt AC, 60 Hz power. Do not use DC or any other voltage. Charge time is 3 to 6 hours depending on battery pack type and condition.

CHARGING PROCEDURE

1. Plug the charger into an appropriate outlet.
2. Insert 1 or 2 batteries into the charger (Figure 1).

NOTE: Charge time is the same for multiple batteries. Be sure the battery is fully seated in the charger. The red "Charging Indicator" light will come on indicating that there is contact between the battery and charger. The light will stay on as long as the battery is in the charger and the charger is plugged into a working outlet. It **WILL NOT** flash, go out or change to a different color when the charging cycle is complete. Remove pack from the charger and place in tool. **NOTE:** To remove the battery from the tool, press down on the release button on the back of the battery (Figure 2) and pull out.

LEAVING THE BATTERY PACK IN THE CHARGER

The charger and battery pack can be left connected with the red light glowing indefinitely. The charger will keep the battery pack fresh and fully charged.

NOTE: A battery pack will slowly lose its charge when kept out of the charger. If the battery pack has not been kept on maintenance charge, it may need to be recharged before use. A battery pack may also slowly lose its charge if left in a charger that is not plugged into an appropriate AC source.

IMPORTANT CHARGING NOTES

1. Longest life and best performance can be obtained if the battery pack is charged when the air temperature is between 65°F and 75°F (18° - 24°C). DO NOT charge the battery pack in an air temperature below +40°F (+4.5°C), or above +105°F (+40.5°C). This is important and will prevent serious damage to the battery pack.
2. The charger and battery pack may become warm to touch while charging. This is a normal condition, and does not indicate a problem.
3. If the battery pack does not charge properly — (1) Check power at receptacle by plugging in a lamp or other appliance. (2) Check to see if receptacle is connected to a light switch which turns power off when you turn out the lights. (3) Move charger and battery pack to a location where the surrounding air temperature is approximately 65°F - 75°F (18° - 24°C). (4) If charging problems persist, take or send the tool, battery pack and charger to your local service center.
4. The battery pack should be recharged when it does not produce sufficient power on jobs which were easily done previously. DO NOT CONTINUE use under these conditions. Follow the charging procedures. You may also charge a partially used pack whenever you desire with no adverse affect on the battery pack.
5. Black & Decker battery packs that are labeled "NiMH" should only be used with chargers labeled "NiMH" or "NiCd/NiMH."
6. Under certain conditions, with the charger plugged into the power supply, the exposed charging contacts inside the charger can be shorted by foreign material. Foreign materials of a conductive nature such as, but not limited to, steel wool, aluminum foil, or any buildup of metallic particles should be kept away from charger cavities. Always unplug the charger from the power supply when there is no battery pack in the cavity. Unplug charger before attempting to clean.
7. Do not immerse charger in water or any other liquid.

ASSEMBLY

⚠ **WARNING:** Before attempting any of the following operations, make sure that the saw blade has stopped, and the battery is removed. Used saw blades can be hot.

Fitting the saw blade (fig. 3)

- Hold the saw blade (7) as shown, with teeth facing forward.
- Push the lever (3) downwards.
- Insert the shank of the saw blade into the blade holder (10) as far as it will go.
- Release the lever.
- Adjust the blade support roller as described below.

Adjusting the blade support roller (fig. 4)

After fitting the blade, you need to adjust the blade support roller (4).

- Turn the locking knob (6) in direction **A**.
- Slide the blade support roller against the rear of the blade. The blade must locate in the central recess of the roller.
- Turn the locking knob (6) in direction **B** to lock the shoe plate in place.

Connecting a vacuum cleaner to the tool (fig. 5 & 6)

- Align the dust extraction adaptor (9) with the saw shoe as shown.
- Insert the ribs (12) into the slots (13).
- Rotate the adaptor until it locks into position. Make sure that the ribs (14) are correctly seated.
- Connect the vacuum cleaner hose (11) (not supplied) to the adaptor. Dust extraction is not possible when making bevel cuts.

USE

⚠ **WARNING:** Never use the tool when the saw shoe is loose or removed.

Adjusting the shoe plate for bevel cuts (fig. 7)

- The shoe plate can be set to a left or right bevel angle of up to 45°.
- Turn the locking knob (6) in direction **A** to release the shoe plate (5).
- Pull the shoe plate (5) backwards and set it to the required angle. You can use the scale or a protractor to check the angle.
- Turn the locking knob (6) in direction **B** to lock the shoe plate in place.
- To reset the shoe plate for straight cuts:
 - Turn the locking knob (6) in direction **A** to release the shoe plate (5).
 - Pull the shoe plate backwards and set it to an angle of approximately 0°.
 - Push the shoe plate forward.
 - Turn the locking knob (6) in direction **B** to lock the shoe plate in place. Make sure that the shoe plate is supported by the guide ribs.

Switching On and Off

- To switch the tool on, press the lock off button (2) from either side, then squeeze the variable speed switch (1). The tool speed depends on how far you depress the switch.
- To switch the tool off, release the variable speed switch.

How to Use the Sightline® Feature (fig. 8)

- Use a pencil to mark the cutting line.
 - Position the jigsaw over the line (15).
- Viewing from directly above the jigsaw the line of cut can be easily followed. Should this view be restricted for any reason, the indent (16) can be used as an alternate cutting guide.

HINTS FOR OPTIMUM USE

General

- Use a high speed for wood, a medium speed for aluminum and PVC and a low speed for metals other than aluminum.

Sawing laminates

- As the saw blade cuts on the upward stroke, splintering may occur on the surface closest to the shoe plate.
- Use a fine-tooth saw blade.
- Saw from the back surface of the workpiece.
- To minimize splintering, clamp a piece of scrap wood or hardboard to both sides of the workpiece and saw through this sandwich.

Sawing metal

- Be aware that sawing metal takes much more time than sawing wood.
- Use a saw blade suitable for sawing metal.
- When cutting thin metal, clamp a piece of scrap wood to the back surface of the workpiece and cut through this sandwich.
- Spread a film of oil along the intended line of cut.

⚠ **CAUTION:** Do not use vacuum adapter when cutting metal. Metal filings will be hot and may cause a fire.

Troubleshooting

| Problem | Possible Cause | Possible Solution |
|----------------------------|---|---|
| • Unit will not start. | • Battery not installed properly. • Battery not charged. | • Check battery installation. • Check battery charging requirements. |
| • Battery will not charge. | • Battery not inserted into charger. • Charger not plugged in. | • Insert battery into charger until red LED appears. • Plug charger into a working outlet. Refer to "Important Charging Notes" for more details. |

• Surrounding air temperature too hot or too cold.

• Move charger and tool to a surrounding air temperature of above 40 degree F (4,5°C) or below 105 degree F (+40,5°C).

For assistance with your product, visit our website www.blackanddecker.com for the location of the service center nearest you or call the BLACK & DECKER help line at 1-800-544-6986.

Maintenance

Use only mild soap and damp cloth to clean the tool. Never let any liquid get inside the tool; never immerse any part of the tool into a liquid.

IMPORTANT: To assure product SAFETY and RELIABILITY, repairs, maintenance and adjustment (other than those listed in this manual) should be performed by authorized service centers or other qualified service organizations, always using identical replacement parts.

The RBRC™ Seal

The RBRC™ (Rechargeable Battery Recycling Corporation) Seal on the nickel-cadmium battery (or battery pack) indicates that the costs to recycle the battery (or battery pack) at the end of its useful life have already been paid by Black & Decker. In some areas, it is illegal to place spent nickel-cadmium batteries in the trash or municipal solid waste stream and the RBRC program provides an environmentally conscious alternative.

RBRC in cooperation with Black & Decker and other battery users, has established programs in the United States and Canada to facilitate the collection of spent nickel-cadmium batteries. Help protect our environment and conserve natural resources by returning the spent nickel-cadmium battery to an authorized Black & Decker service center or to your local retailer for recycling. You may also contact your local recycling center for information on where to drop off the spent battery, or call 1-800-8-BATTERY.



Accessories

Recommended accessories for use with your tool are available from your local dealer or authorized service center. If you need assistance regarding accessories, please call: 1-800-54-HOW-TO (544-6986).

WARNING: The use of any accessory not recommended for use with this tool could be hazardous.

Service Information

All Black & Decker Service Centers are staffed with trained personnel to provide customers with efficient and reliable power tool service. Whether you need technical advice, repair, or genuine factory replacement parts, contact the Black & Decker location nearest you. To find your local service location, refer to the yellow page directory under "Tools—Electric" or call: 1-800-544-6986 or visit www.blackanddecker.com

Full Two-Year Home Use Warranty

Black & Decker (U.S.) Inc. warrants this product for two years against any defects in material or workmanship. The defective product will be replaced or repaired at no charge in either of two ways.

The first, which will result in exchanges only, is to return the product to the retailer from whom it was purchased (provided that the store is a participating retailer). Returns should be made within the time period of the retailer's policy for exchanges (usually 30 to 90 days after the sale). Proof of purchase may be required. Please check with the retailer for their specific return policy regarding returns that are beyond the time set for exchanges.

The second option is to take or send the product (prepaid) to a Black & Decker owned or authorized Service Center for repair or replacement at our option. Proof of purchase may be required. Black & Decker owned and authorized Service Centers are listed under "Tools-Electric" in the yellow pages of the phone directory.

This warranty does not apply to accessories. This warranty gives you specific legal rights and you may have other rights which vary from state to state or province to province. Should you have any questions, contact the manager of your nearest Black & Decker Service Center. This product is not intended for commercial use.

Free warning label replacement: If your warning labels become illegible or are missing, call 1-800-544-6986 for a free replacement.

Special Warranty Note to Contractors:

FIRESTORM™ branded products are offered as high end consumer home use tools and carry a **HOME USE WARRANTY**. These tools are designed, manufactured and tested to meet or exceed the needs of the do-it-yourselfer in the execution of projects and repairs in and around the home. With proper use they will provide the home owner with step up power and performance well beyond their two year warranty. However, if you use tools for a living and use FIRESTORM™ branded products or any of Black & Decker's other Consumer Home Use tools **ON THE JOBSITE** you should know that they **CANNOT BE COVERED UNDER OUR WARRANTY**.

Imported by
Black & Decker (U.S.) Inc.,
701 E. Joppa Rd.
Towson, MD 21286 U.S.A.



See 'Tools-Electric'
— Yellow Pages —
for Service & Sales



FIRESTORM®

HIGH PERFORMANCE TOOLS

OUTILS À HAUT RENDEMENT
HERRAMIENTAS DE ALTO RENDIMIENTO

BY BLACK & DECKER

18 & 24 VOLT JIG SAWS

GUIDE D'UTILISATION

Numéros de catalogue FS1800JS, FS2400JS

MERCI D'AVOIR CHOISI FIRESTORM ! VISITEZ
WWW.FIRESTORMTOOLS.COM/PRODUCTREGISTRATION
POUR ENREGISTRER VOTRE NOUVEAU PRODUIT.

AVANT DE RETOURNER CE PRODUIT POUR QUELQUE
RAISON QUE CE SOIT, COMPOSER LE
1-800-544-6986

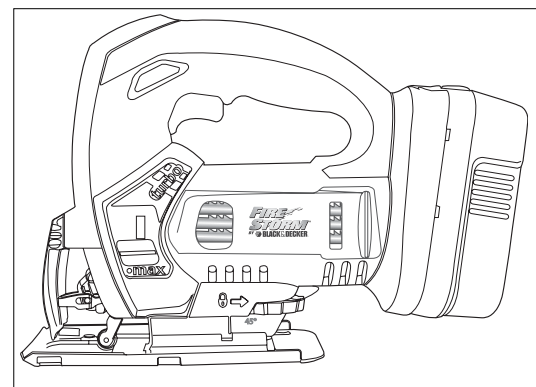
AVANT D'APPELER, AYEZ EN MAIN LE N° DE CATALOGUE ET LE CODE DE DATE. DANS LA PLUPART

DES CAS, UN REPRÉSENTANT DE BLACK & DECKER PEUT RÉSOUDRE LE PROBLÈME PAR

TÉLÉPHONE. SI VOUS AVEZ UNE SUGGESTION OU UN COMMENTAIRE, APPELEZ-NOUS. VOS

IMPRESSIONS SONT CRUCIALES POUR BLACK & DECKER.

CONSERVER CE MANUEL POUR UN USAGE ULTÉRIEUR.



⚠️ RÈGLES DE SÉCURITÉ CONCERNANT LES OUTILS À PILE – GÉNÉRALITÉS

⚠️ **AVERTISSEMENT! LIRE, COMPRENDRE ET SUIVRE TOUTES LES DIRECTIVES** précisées ci-dessous, y compris les consignes de sécurité, afin d'éviter les risques de choc électrique, d'incendie ou de blessure grave.

CONSERVER CES DIRECTIVES

Zone de travail

- **Garder la zone de travail propre et bien éclairée;** les établis encombrés et les endroits sombres sont propices aux accidents.
- **Ne pas utiliser les outils électriques dans une atmosphère explosive, comme à proximité de liquides, de gaz ou de poussières inflammables;** le moteur peut créer des étincelles et enflammer les vapeurs ou les poussières environnantes.
- **Tenir les enfants, les visiteurs ou toute autre personne éloignés lorsqu'on utilise un outil électrique;** les distractions peuvent faire perdre la maîtrise de ce dernier.

Mesures de sécurité relatives à l'électricité

- **Ne pas utiliser le cordon de manière abusive, ni transporter l'outil en le tenant par le cordon. On doit tenir le cordon éloigné des sources de chaleur, de l'huile, des bords tranchants ou des pièces mobiles. Remplacer immédiatement les cordons endommagés,** car ces derniers augmentent les risques d'incendie.
- **Un outil à piles intégrées ou à bloc-pile externe doit être rechargé seulement au moyen du chargeur approprié,** car un chargeur destiné à une pile particulière pourrait entraîner un risque d'incendie lorsqu'il est utilisé avec une autre.
- **N'utiliser l'outil à piles qu'avec le bloc-pile désigné,** car l'utilisation d'un autre type de piles peut entraîner un risque d'incendie.

Sécurité personnelle

- **Rester vigilant en tout temps et faire preuve de jugement lorsqu'on utilise un outil électrique; ne pas utiliser l'outil lorsqu'on est fatigué ou sous l'influence de drogues, d'alcool ou de médicaments,** car un moment d'inattention pourrait entraîner des blessures graves.
- **Porter des vêtements appropriés; ne pas porter de vêtements amples ni de bijoux. Couvrir ou attacher les cheveux longs. Garder les cheveux, les vêtements, les bijoux et les gants éloignés des pièces mobiles, car ceux-ci peuvent s'y coincer.** Se tenir éloigné des événements puisque ces derniers pourraient camoufler des pièces mobiles.
- **Éviter les démarrages accidentels; s'assurer que l'interrupteur est en position de verrouillage ou d'arrêt avant d'insérer un bloc-pile dans l'outil.** Ne pas transporter l'outil en laissant le doigt sur l'interrupteur ni y insérer un bloc-pile lorsque l'interrupteur est en position de marche, car cela pourrait causer un accident.
- **Retirer les clés de réglage avant de démarrer l'outil;** une clé laissée sur une pièce rotative pourrait entraîner des blessures.
- **Ne pas trop étendre les bras; les pieds doivent rester ancrés fermement** au sol afin de maintenir son équilibre en tout temps et de mieux maîtriser l'outil dans des situations imprévues.
- **Utiliser le matériel de sécurité approprié; toujours porter des lunettes de protection.** Porter un masque anti-poussières, des chaussures antidérapantes, un casque de sécurité ou des protecteurs auditifs lorsque la situation le requiert.

Utilisation et entretien de l'outil

- **Fixer et soutenir la pièce sur une plate-forme stable au moyen d'une butée fixe ou de tout autre dispositif semblable;** la pièce est instable lorsqu'on la retient manuellement ou qu'on l'appuie contre le corps, ce qui pourrait faire perdre la maîtrise de l'outil.
- **Ne pas forcer l'outil ni l'utiliser pour des travaux autres que ceux pour lesquels il a été conçu.** Pour obtenir de meilleurs résultats et prévenir les risques de blessure, laisser l'outil couper à la vitesse pour laquelle il a été conçu.
- **Ne pas utiliser l'outil lorsque l'interrupteur marche-arrêt ne fonctionne pas;** tout outil qui ne peut être commandé au moyen de l'interrupteur est dangereux et doit être réparé.
- **Débrancher le bloc-pile de l'outil ou mettre l'interrupteur en position de verrouillage ou d'arrêt avant d'effectuer un réglage, de changer les accessoires ou de ranger l'outil;** ces mesures de sécurité préventives réduisent les risques de démarrage accidentel.
- **Lorsqu'on n'utilise pas l'outil, le ranger hors de la portée des enfants ou des personnes non qualifiées;** les outils sont dangereux entre les mains de personnes inexpérimentées.
- **Lorsqu'on n'utilise pas le bloc-pile, le ranger à l'écart des objets métalliques tels que les trombones, les pièces de monnaie, les clés, les clous, les vis ou autres petits objets** susceptibles de conduire l'électricité entre les bornes et d'occasionner ainsi un court-circuit

- Tourner le bouton de verrouillage (6) vers la direction **A** afin de relâcher la plaque du patin (5).
 - Tirer la plaque du patin (5) vers l'arrière et la régler à l'angle voulu. Vérifier l'angle au moyen de l'échelle ou d'un rapporteur d'angle.
 - Tourner le bouton de verrouillage (6) vers la direction **B** afin de verrouiller solidement la plaque du patin.
- Pour remettre la plaque du patin dans sa position initiale en vue de réaliser une coupe droite :
- Tourner le bouton de verrouillage (6) vers la direction **A** afin de relâcher la plaque du patin (5).
 - Tirer la plaque du patin vers l'arrière et la régler à un angle d'environ 0°.
 - Pousser la plaque du patin vers l'avant.
 - Tourner le bouton de verrouillage (6) vers la direction **B** afin de verrouiller solidement la plaque du patin, en s'assurant qu'elle est bien soutenue par les nervures de guidage.

Mise en marche et arrêt de l'outil

- Para encender la herramienta, presione el botón de bloqueo (2) de cualquiera de los lados, luego presione el interruptor de velocidad variable (1). La velocidad de la herramienta depende de cuánto presione el interruptor.
- Para apagar la herramienta, suelte el interruptor de velocidad variable.

Utilisation du dispositif Sightline® (fig. 8)

- Marquer la ligne de coupe au moyen d'un crayon.
- Positionner la scie sur la ligne de coupe (15).

Vue directement du haut de la scie, la ligne de coupe est facile à suivre. Si celle-ci n'est pas bien visible, pour quelque raison que ce soit, on peut utiliser l'encoche (16) comme guide de coupe, le cas échéant.

CONSEILS PRATIQUES POUR UN USAGE OPTIMAL

Généralités

- Utiliser la vitesse élevée pour le bois, la vitesse moyenne pour l'aluminium et le PVC et la basse vitesse pour les métaux, sauf l'aluminium.

Coupe de lamellés

Lorsqu'on remonte la scie, on peut engendrer des éclats de bois sur la surface la plus près de la plaque du patin.

- Utiliser une lame à dents fines.
- Effectuer la coupe à partir de la surface arrière de la pièce.
- Afin de réduire au minimum les éclats de bois, fixer une retaille de bois ou un panneau dur de chaque côté de la pièce et couper à travers les trois pièces.

Coupe du métal

- Il ne faut pas oublier que la durée de coupe du métal est beaucoup plus longue que celle du bois.

- Utiliser une lame conçue pour la coupe du métal.
- Pour réaliser la coupe d'une tôle mince, fixer une retaille de bois à l'arrière de la pièce et couper à travers les deux pièces.
- Appliquer une mince couche d'huile le long de la ligne de coupe prévue.

⚠ **MISE EN GARDE : Ne pas utiliser l'adaptateur du tube d'aspiration pour couper le métal;** les débris métalliques sont chauds et peuvent causer un incendie.

Dépannage

Problème

- L'appareil refuse de démarrer.

Cause possible

- Mauvaise installation de la batterie.
- Pile non chargée.

Solution possible

- Vérifier l'installation de la batterie.
- Vérifier les exigences de charge pour la pile.
- Insérer la pile dans le chargeur de sorte que le voyant DEL rouge apparaisse.
- Brancher le chargeur dans une prise qui fonctionne. Se reporter à la rubrique « Remarques importantes de chargement » pour plus de renseignements.
- Déplacer le chargeur et l'outil à une température ambiante de plus de 4,5 °C (40 °F) ou sous les 40,5 °C (105 °F) 105 degree F (+40,5°C).

- La pile ne se charge pas.
- Pile non insérée dans le chargeur.

- Chargeur non branché.

- Température ambiante trop chaude ou froide.

Pour de l'aide avec l'outil, consulter notre site Web www.blackanddecker.com pour l'emplacement du centre de réparation le plus près ou communiquer avec l'assistance BLACK & DECKER au **1-800-544-6986**.

Entretien

Nettoyer l'outil au moyen d'un savon doux et d'un linge humide seulement. Ne jamais laisser de liquide s'infiltrer à l'intérieur de l'outil ni tremper ce dernier dans un liquide quelconque.

IMPORTANT : pour assurer la SÉCURITÉ et la FIABILITÉ de ce produit, toutes les opérations de réparation, d'entretien et de réglage doivent être effectuées dans un centre de service autorisé ou par du personnel qualifié; on ne doit utiliser que des pièces de rechange identiques.



Sceau RBRC^{MC}

Le sceau RBRC^{MC} de la Rechargeable Battery Recycling Corporation apposé sur la pile au nickel-cadmium (ou le bloc-pile) indique que les coûts de recyclage de ce dernier à la fin de sa vie utile ont déjà été payés par Black & Decker. En certains endroits, la mise au rebut ou aux ordures municipales des piles au nickel-cadmium est illégale; le programme de «RBRC» constitue donc une solution des plus pratiques et écologiques.

La «RBRC», en collaboration avec Black & Decker et d'autres utilisateurs de piles, a mis sur pied des programmes aux États-Unis et au Canada dans le but de faciliter la collecte des piles déchargées. Black & Decker encourage ses utilisateurs à participer à son programme de protection de l'environnement et de conservation des ressources naturelles en retournant les piles usagées à un centre de service Black & Decker ou chez un dépositaire local afin qu'elles puissent être recyclées. On peut en outre se renseigner auprès d'un centre de recyclage local pour connaître d'autres sites les acceptant, ou composer le **1 800 8-228-8379** pour obtenir de l'information sur le recyclage de ces piles dans sa région.

Accessoires

Les accessoires recommandés pour l'outil sont vendus chez les dépositaires locaux ou dans les centres de service autorisés. Pour obtenir de l'aide concernant un accessoire, composer le **1 800 544-6986**.

⚠ **AVERTISSEMENT :** l'usage d'un accessoire non recommandé peut présenter un danger.

Information sur les services

Black & Decker dispose d'un réseau complet composé de centres de service et de centres autorisés situés partout en Amérique du Nord. Tous les centres de service Black & Decker sont dotés de personnel qualifié en matière d'outillage électrique; ils sont donc en mesure d'offrir à leur clientèle un service efficace et fiable. Pour obtenir un conseil technique ou une pièce d'origine ou pour faire réparer un outil, on peut communiquer avec le centre Black & Decker le plus près. Pour obtenir le numéro de téléphone, consulter les pages jaunes sous la rubrique "Outils - électriques" ou composer le **1 800 544-6986 (1-800-54-HOW-TO)**.

Garantie complète de deux ans pour usage résidentiel

Black & Decker (U.S.) Inc. garantit ce produit pour une période de deux ans contre tout défaut de matériel ou de fabrication. Le produit défectueux sera remplacé ou réparé sans frais, suivant l'une des deux méthodes suivantes.

La première méthode consiste en un échange seulement. On doit retourner le produit au détaillant qui l'a vendu (pourvu qu'il s'agisse d'un détaillant participant), en respectant les délais stipulés dans sa politique relative aux échanges (normalement de 30 à 90 jours après la vente). Une preuve d'achat peut être requise. On doit vérifier la politique de retour du détaillant pour tout produit retourné après le délai prescrit pour les échanges.

La deuxième méthode consiste à apporter ou à envoyer le produit (prépayé) à un centre Black & Decker ou à un centre de service autorisé aux fins de réparation ou de remplacement, selon notre choix. Une preuve d'achat peut être requise. Les centres

Black & Decker et les centres de service autorisés sont répertoriés dans les pages jaunes sous la rubrique «Outils - électriques».

Cette garantie ne s'applique pas aux accessoires. Elle confère des droits légaux particuliers à l'acheteur, mais celui-ci pourrait aussi bénéficier d'autres droits variant d'un territoire à l'autre.

Toute question doit être adressée au gérant du centre Black & Decker le plus près.

Ce produit n'est pas destiné à un usage commercial.

Remplacement gratuit de l'étiquette d'avertissement : En cas de perte ou d'endommagement des étiquettes d'avertissement, composer le **1 800 544-6986** afin d'en obtenir de nouvelles sans frais.

Remarque à l'intention des entrepreneurs concernant la garantie spéciale

Les produits de marque FIRESTORM^{MC} sont des outils hauts de gamme destinés aux consommateurs et comportent une GARANTIE POUR USAGE RÉSIDENTIEL. Ces outils sont conçus, fabriqués et mis à l'essai en vue de répondre aux besoins du bricoleur, ou de les dépasser, lorsque ce dernier réalise des projets ou effectue des réparations à l'intérieur ou à l'extérieur de sa résidence. Utilisés correctement, ces outils procurent à l'utilisateur un rendement et une puissance supérieurs qui excèdent de loin la période de garantie de deux ans. Par contre, tout outil utilisé à des fins commerciales ou tout produit de marque FIRESTORM^{MC} ou tout autre produit Black & Decker destiné aux consommateurs et réservé à un usage résidentiel, utilisé dans le cadre d'une ACTIVITÉ RELIÉE AU TRAVAIL, N'EST PAS COUVERT PAR LA PRÉSENTE GARANTIE.

Imported by / Importé par
Black & Decker Canada Inc.
100 Central Ave.
Brockville (Ontario) K6V 5W6

Voir la rubrique "Outils électriques"
des Pages Jaunes
pour le service et les ventes.



18 & 24 VOLT JIG SAWS

MANUAL DE INSTRUCCIONES

Números de catálogo FS1800JS, FS2400JS

¡GRACIAS POR ELEGIR FIRESTORM! VAYA A
WWW.FIRESTORMTOOLS.COM/PRODUCTREGISTRATION
PARA REGISTRAR SU NUEVO PRODUCTO.

**ANTES DE DEVOLVER ESTE PRODUCTO POR
CUALQUIER MOTIVO, LLAME AL
(55)5326-7100**

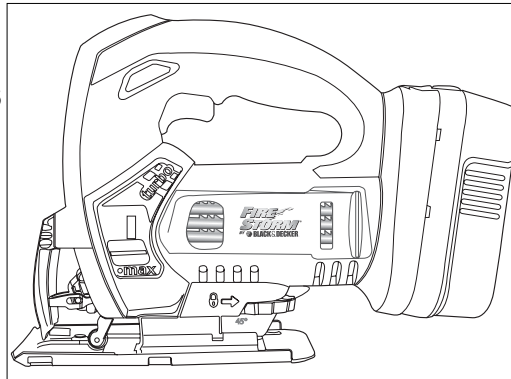
ANTES DE LLAMAR, TENGA EL NÚMERO DE CATÁLOGO Y EL CÓDIGO DE FECHA PREPARADOS. EN

LA MAYORÍA DE LOS CASOS, UN REPRESENTANTE DE BLACK & DECKER PUEDE RESOLVER EL

PROBLEMA POR TELÉFONO. SI DESEA REALIZAR UNA SUGERENCIA O COMENTARIO, LLÁMENOS.

SU OPINIÓN ES FUNDAMENTAL PARA BLACK & DECKER.

CONSERVE ESTE MANUAL PARA FUTURAS CONSULTAS.



⚠ NORMAS DE SEGURIDAD GENERAL – PARA TODA HERRAMIENTA OPERADA A BATERÍA

⚠ **AVERTISSEMENT :** LEA Y ASEGÚRESE DE COMPRENDER BIEN TODAS LAS INSTRUCCIONES. El incumplimiento de todas las instrucciones enumeradas más abajo puede resultar en descarga eléctrica, incendio y/o lesiones corporales serias.

GUARDE ESTAS INSTRUCCIONES

Area de trabajo

- **Mantenga su área de trabajo limpia y bien iluminada.** Los accidentes abundan en las mesas de trabajo desordenadas y áreas oscuras.
- **No opere máquinas herramienta en ambientes explosivos, tales como en presencia de líquidos, gases o polvos inflamables.** Las máquinas herramienta generan chispas que pueden inflamar el polvo o los gases.
- **No use máquinas herramienta en presencia de niños u otras personas.** Las distracciones pueden hacerle perder el control.

Seguridad electrica

- **No abuse del cable. Nunca levante las herramientas por el cable.** Mantenga el cable alejado de fuentes de calor, aceite, bordes afilados o piezas en movimiento. Reemplace de inmediato cualquier cable dañado. Los cables dañados pueden causar incendios.
- **Las herramientas operadas a batería que poseen baterías integradas o una unidad independiente de alimentación deben ser recargadas solamente con el cargador especificado para la batería.** Algunos cargadores pueden ser apropiados para un tipo de batería pero pueden crear riesgo de incendio cuando se utilizan con otra.
- **Sólo utilice la herramienta operada a batería con la unidad de alimentación específicamente designada para ella.** El uso de cualquier otra batería puede crear riesgo de incendio.

Seguridad personal

- **Manténgase alerta, ponga atención a su trabajo y use su sentido común cuando opere una máquina herramienta. No use la herramienta cuando esté cansado o bajo la influencia de drogas, alcohol o medicamentos.** Sólo hace falta un momento de distracción durante la operación de máquinas herramienta para causar lesiones corporales serias.
- **Vístase debidamente. No se ponga ropa suelta o joyas. Amárrese el pelo. Mantenga alejados de las piezas en movimiento su pelo, ropa y guantes.** Ropa suelta, joyas o pelo largo pueden quedar atrapados en piezas en movimiento. Las rejillas de ventilación cubren piezas en movimiento y deberían ser evitadas.

- Evite encender la herramienta en forma accidental.** Asegure que el conmutador esté bloqueado o apagado antes de insertar la unidad de alimentación. El sujetar la herramienta con el dedo en el conmutador o insertar la unidad de alimentación a una herramienta ya encendida, se presta para que ocurran accidentes.
- Quite toda llave de ajuste antes de encender la herramienta.** El dejar una llave puesta en una pieza rotante de la herramienta puede resultar en lesión corporal.
- No se sobreextienda. Mantenga siempre el equilibrio.** Si mantiene el equilibrio podrá tener mejor control de la herramienta en situaciones inesperadas.
- Use equipo de seguridad. Siempre use gafas de protección.** Se debe usar máscara antipolvo, calzado de seguridad antideslizante, casco de seguridad o protección auditiva, dependiendo de las condiciones que apliquen.

Uso y cuidados de la herramienta

- Use abrazaderas u otra manera práctica de fijar y sujetar la pieza de trabajo a una plataforma estable.** No sujete su trabajo en forma manual o contra su cuerpo pues no quedará estable y podrá perder el control.
- No fuerce la herramienta. Use la herramienta correcta para su aplicación.** La herramienta apropiada hará un trabajo mejor y más seguro para el propósito para el cual fue diseñada.
- No use la herramienta si el conmutador no funciona bien.** Cualquier herramienta que no puede ser controlada con el conmutador es peligrosa y debe ser reparada.
- Desconecte la unidad de alimentación de la herramienta o ponga el conmutador en la posición bloqueada o apagada antes de ajustar la herramienta, cambiar de accesorio o guardarla.** Tales medidas preventivas reducen el riesgo de encender la herramienta en forma accidental.
- Cuando no esté en uso, almacene su herramienta fuera del alcance de niños y otras personas no capacitadas en su funcionamiento.** Las herramientas son peligrosas en manos de personas no capacitadas.
- Cuando la unidad de alimentación no esté en uso, manténgala alejada de otros objetos metálicos tales como: sujetapapeles, monedas, llaves, clavos u otros objetos metálicos pequeños que podrían generar una conexión entre sus terminales.** Provocar un cortocircuito entre los terminales de la batería puede causar chispas, quemaduras o incendios.
- Cuide sus herramientas. Mantenga herramientas usadas para cortar afiladas y limpias.** Las herramientas afiladas tienen menos probabilidades de trabarse y son más fáciles de controlar si son debidamente mantenidas.
- Revise la herramienta para verificar que no esté mal alineada, que sus piezas móviles no estén trabadas o rotas y que no exista otra condición que pudiera afectar su operación.** Si está dañada, llévela a ser reparada antes de usarla. Muchos accidentes son causados por usar herramientas que no han sido bien mantenidas.
- Utilice sólo aquellos accesorios que hayan sido recomendados por el fabricante para su modelo.** Algunos accesorios pueden ser apropiados para una herramienta pero pueden crear un riesgo de lesión cuando se utilizan con otra.

Servicio

- El servicio a la herramienta sólo deber ser realizado por personal de reparación calificado.** Si el servicio o mantenimiento es realizado por personal no calificado, podría resultar en riesgo de lesión.
- Cuando se repare una herramienta, sólo se deben usar repuestos originales. Siga las instrucciones en la sección de mantenimiento de este manual.** El uso de repuestos no autorizados o el incumplimiento de las instrucciones de mantenimiento pueden crear un riesgo de descarga eléctrica o lesión.

⚠ Normas específicas de seguridad

- Sostenga la herramienta por sus superficies de empuñadura aisladas cuando realice una operación en la cual la herramienta para cortar pudiera entrar en contacto con instalaciones eléctricas ocultas o con su propio cable.** El contacto con un cable cargado, cargará a su vez las partes metálicas expuestas de la herramienta y dará un golpe de corriente al operador.
- Cuando trabaje desde una escalera o andamio, asegúrese de echar la herramienta sobre un costado cuando no esté en uso.** Algunas herramientas con unidades de alimentación grandes pueden ser colocadas en posición vertical pero pueden ser fácilmente botadas.
- Mantenga sus manos fuera del área de corte.** Nunca se incline por debajo del material por ningún motivo. Sujete la parte frontal de la sierra asíéndola por el área contorneada de agarre. No inserte los dedos o el pulgar cerca de la hoja de vaivén o el sujetador de la hoja. No establezca la sierra asíéndola por la platina.
- Mantenga las hojas afiladas.** Las hojas sin filo pueden hacer que la sierra se desvíe o se atasque al estar bajo presión.
- Al cortar un tubo o conducto portacables,** asegúrese de que estos no contienen agua o cables, etc.

- ⚠ ADVERTENCIA: Algunos tipos de polvo, como aquellos generados por el lijado, serruchado, pulido y taladrado mecánico y otras actividades de construcción, contienen químicos que se sabe causan cáncer, defectos de nacimiento y otros daños reproductivos. Algunos ejemplos de estos químicos son:**
 - plomo de algunas pinturas,
 - polvo de sílice proveniente de ladrillos y cemento y otros productos de albañilería, y
 - arsénico y cromo provenientes de maderas tratadas con químicos (arseniato de cobre cromado).

- Su riesgo de exposición a estos químicos varía, dependiendo de la frecuencia con la cual realiza usted este tipo de trabajo. Para reducir su exposición a estos químicos, trabaje en un lugar con buena ventilación y trabaje con equipo de seguridad aprobado, como máscaras antipolvo especialmente diseñadas para filtrar partículas microscópicas.
- Evite el contacto prolongado con polvo generado por el lijado, serruchado, pulido y taladrado mecánico y otras actividades de construcción. Vístase con ropa de protección y lave con agua y jabón las áreas de su cuerpo que hayan sido expuestas.** La penetración de polvo a la boca o los ojos o el contacto de este con la piel, puede promover la absorción de químicos dañinos.

- ⚠ ADVERTENCIA: El uso de esta herramienta puede generar y/o dispersar polvo, lo cual puede causar lesiones respiratorias o de otro tipo, serias y permanentes.** Siempre use protección respiratoria aprobada por NIOSH (Instituto Nacional de Seguridad y Salud en el Trabajo) u OSHA (Administración de Seguridad y Salud en el Trabajo) apropiada para la exposición al polvo. Dirija las partículas en dirección contraria a la cara y el cuerpo.

La etiqueta de su herramienta puede incluir los siguientes símbolos.

| | | | |
|------------|-----------------------------|---------------|--|
| V | volts | A..... | amperes |
| Hz | hertz | W | watts |
| min | minutos | ~ | corriente alterna |
| ==== | corriente directa | no | velocidadsin carga |
| ☐ | construcción clase II | ⊖ | terminales de conexión a tierra |
| ⚠ | símbolo de alerta seguridad | .../min | revoluciones o reciprocaciones porminuto |

INFORMACIÓN ACERCA DEL PROTECTOR DE LA BATERÍA

Se han incluido protectores para el almacenamiento y transporte de la batería. Estos deben ser usados cuando la batería no esté conectada a la herramienta ni en el cargador. Recuerde quitar el protector antes de poner la batería en el cargador o conectarla a la herramienta.

- ⚠ ADVERTENCIA:** No guarde ni lleve baterías, unidades de alimentación o pilas en un lugar donde sus terminales pudieran entrar en contacto con algún objeto metálico. Por ejemplo, no ponga baterías, unidades de alimentación o pilas dentro de un delantal o bolsillo, una caja de herramientas o de almacenamiento del producto, un cajón, etc., junto con clavos sueltos, tornillos, llaves, etc. si no están debidamente protegidas. El transporte de baterías, unidades de alimentación o pilas puede causar un incendio si sus terminales entran en contacto sin querer con materiales conductores como llaves, monedas, herramientas de mano y otros por el estilo. De hecho, el reglamento sobre materiales peligrosos (HMR) del Ministerio de Transporte de los Estados Unidos prohíbe el transporte de baterías, unidades de alimentación o pilas en cualquier tipo de transporte terrestre o aéreo (es decir, embaladas en maletas y maletines de mano) A NO SER que estén debidamente protegidas de hacer cortocircuito. Por lo tanto, cuando transporte baterías,

unidades de alimentación o pilas individuales, asegúrese que sus terminales estén protegidos y debidamente aislados de materiales que pudieran entrar en contacto con ellos y causar un cortocircuito.

⚠ INSTRUCCIONES IMPORTANTES DE SEGURIDAD

- GUARDE ESTAS INSTRUCCIONES.**
- Antes de emplear el cargador, lea todas las instrucciones y las marcas precautorias en (1) el cargador, (2) la batería y (3) el producto que utiliza la batería.
- ⚠ PELIGRO:** Corriente de 120 volts presente en las terminales de carga. No las una con objetos conductores. Peligro de choque eléctrico o electrocución.
- ⚠ PELIGRO:** Si la caja de la batería está estrellada o dañada, no la inserte en el cargador. Peligro de choque eléctrico o electrocución.
- ⚠ PELIGRO:** Nunca intente abrir la batería por ningún motivo. Si la carcaza de plástico se rompe o se estrella, llévela a un centro de servicio para que la reciclen.
- ⚠ ADVERTENCIA:** No permita que se introduzca ningún líquido en el cargador. Puede originarse un choque eléctrico.
- ⚠ PRECAUCION:** Cargue únicamente baterías recargables Black & Decker para evitar el riesgo de lesiones. Baterías de otros tipos pueden estallar, ocasionando lesiones personales y daños.
- Para facilitar el enfriamiento de la batería después de utilizarla, evite colocar el cargador o la batería en ambientes cálidos, como los de un cobertizo de lámina o un remolque sin aislamiento.
- No exponga el cargador a la lluvia o a la nieve.
- Estos cargadores no están diseñados para usos diferentes a la carga de las baterías recargables Black & Decker. Cualquier otro uso puede originar riesgos de incendio, choque eléctrico o electrocución.
- Para reducir los riesgos de daño a la clavija y el cordón eléctrico, cuando desconecte el cargador tire de la clavija, no del cordón.
- Asegúrese de que el cordón eléctrico esté colocado de tal manera que no lo pisen, enreden o le hagan alguna otra cosa que lo tense y le cause daño.
- Trate de no usar cordones de extensión a menos que sea absolutamente necesario. El uso de una extensión inadecuada puede ocasionar incendios, descargas eléctricas o electrocución. Si es necesario utilizar la extensión, asegúrese:
- Que las patas de la clavija de la extensión sean iguales en número, tamaño y forma a los de la clavija del cargador.
- Que los cables de la extensión estén en buenas condiciones eléctricas y que el calibre sea suficiente para soportar la corriente que el cargador necesita, como se describe a continuación.

Una extensión debe contar con alambre de calibre adecuado (AWG o American Wire Gauge) por seguridad. Mientras más pequeño sea el número del calibre del alambre, mayor será la capacidad del cable; por ejemplo, una cable de calibre 16 tiene mayor capacidad que otro de calibre 18. Cuando emplee más de una extensión para alcanzar la longitud total, asegúrese que cada extensión individual tenga por lo menos el calibre mínimo requerido.

| CALIBRE AWG MINIMO RECOMENDADO PARA LOS CORDONES DE EXTENSION LONGITUD TOTAL DEL CABLE DE EXTENSION (METROS) | | | | | | | |
|---|-----|------|------|------|------|------|------|
| | 7,6 | 15,2 | 22,8 | 30,4 | 38,1 | 45,7 | 53,3 |
| CALIBRE DEL ALAMBRE | | | | | | | |
| | 18 | 18 | 16 | 16 | 14 | 14 | 12 |

- El cargador se ventila a través de las ranuras de la cubierta. No coloque ningún objeto sobre el cargador o coloque éste en una superficie suave que pueda bloquear las ranuras de ventilación y ocasionen calor interno excesivo. Coloque el cargador en un lugar alejado de cualquier fuente de calor.
- No opere el cargador con el cordón o la clavija dañados — hágalos cambiar de inmediato.
- No utilice el cargador si ha recibido algún golpe, se ha caído o ha recibido algún otro daño, llévelo a un Centro de Servicio autorizado.
- No desarme el cargador, llévelo a un centro de servicio autorizado cuando requiera ser reparado. Ensamblarlo de modo incorrecto puede ocasionar descargas eléctricas, electrocución o incendios.
- El cargador está diseñado para funcionar con corriente doméstica estándar. No intente usarlo con otro voltaje
- Desconecte el cargador antes de intentar limpiarlo para reducir el riesgo de descargas eléctricas. Retirar la batería no reducirá este riesgo.
- NUNCA intente conectar 2 cargadores juntos.
- NO guarde ni utilice la herramienta o la batería en lugares en los que la temperatura pueda alcanzar o exceder los 40°C (105°F) (tales como cobertizos o construcciones de metal en el verano).
- NO incinere las baterías. Pueden explotar en un incendio. Las celdas de la batería pueden tener fugas pequeñas de líquido cuando han sido usadas o cargadas durante períodos demasiado largos, o bajo ciertas condiciones de temperatura. Esto no indica una falla. Sin embargo, si el sello externo ha sido roto y su piel entra en contacto con el líquido:
 - Lave rápidamente con jabón y agua.
 - Neutralice con un ácido suave como jugo de limón o vinagre.
 - Si el líquido de la batería le entra a los ojos, lávelos con agua limpia por al menos 10 minutos y hágase ver por un médico de inmediato. **NOTA MÉDICA:** El líquido es una solución de 25-35% de hidróxido de potasio.

CONSERVE ESTAS INSTRUCCIONES

INTRODUCCIÓN

LEA Y COMPRENDA TODAS LAS INSTRUCCIONES DE ESTE MANUAL ANTES DE INTENTAR CARGAR LA UNIDAD DE ALIMENTACIÓN DE SU HERRAMIENTA.

Su cargador fue diseñado para utilizar corriente alterna estándar de 120 voltios y 60 Hz. No utilice corriente directa ni cualquier otro voltaje. El tiempo de carga es entre 3 y 6 horas, dependiendo del tipo y las condiciones de la unidad de alimentación.

PROCEDIMIENTO DE CARGA

- Enchufe el cargador en una toma de corriente apropiada.
- Inserte 1 ó 2 baterías en el cargador (Figura 1).
 - NOTA:** El tiempo de carga es el mismo para cargar baterías múltiples. Asegúrese que la batería esté bien puesta en el cargador. La luz roja del "Indicador de carga" se encenderá para indicar que se ha hecho contacto entre la batería y el cargador. La luz se mantendrá encendida mientras la batería de corriente activa. **NO** destellará, ni se apagará o cambiará de color cuando el ciclo de carga se haya completado.
- Retire la batería del cargador y colóquela en la herramienta. **NOTA:** Para retirar la batería de la herramienta, oprima el botón de desbloqueo en la parte posterior de la batería (Figura 2) y tirela hacia afuera.

PERMANENCIA DE LA UNIDAD DE ALIMENTACIÓN EN EL CARGADOR

El cargador y la unidad de alimentación pueden dejarse conectados con la luz roja encendida indefinidamente. El cargador mantendrá la unidad de alimentación fresca y completamente cargada.

NOTA: La unidad de alimentación perderá su carga lentamente si se retira del cargador. Si no se ha dejado la unidad de alimentación en carga de mantenimiento, puede que sea necesario recargarla antes de usarla nuevamente. La unidad de alimentación también puede perder lentamente su carga si se deja en un cargador que no está enchufado en una toma de corriente alterna adecuada.

NOTAS IMPORTANTES SOBRE LA CARGA

- Se puede obtener mejor rendimiento y más larga vida si la batería se carga cuando la temperatura oscila entre 18° y 24°C (65°F - 75°). NO cargue la batería cuando la temperatura sea inferior a +4.5°C (+40°F), o superior a +40.5°C (+105°F). Esto es muy importante y le evitará serios daños a la batería.
- El cargador y la batería pueden sentirse calientes al tacto durante la carga. Esto es una condición normal y no indica ningún problema.
- Si la batería no carga apropiadamente — (1) Verifique la corriente en la toma conectando una lámpara u otro aparato eléctrico, (2) Verifique si la toma está conectada a un interruptor que corte la corriente cuando apaga las luces. (3) Lleve el cargador con la batería a un lugar en donde la temperatura del aire que los rodee esté entre 18° y 24°C (65°F - 75°F). (4) Si persisten los problemas de carga, lleve o envíe la herramienta, la batería y el cargador a su centro de servicio local.
- La batería debe recargarse cuando deja de producir suficiente potencia en trabajos que se hicieron fácilmente con anterioridad. NO CONTINUE usándola en estas condiciones. Siga los procedimientos de carga. Usted puede cargar una batería parcialmente usada cuando lo desee sin que ésta sufra efectos adversos.
- Las baterías Black& Decker que estén etiquetadas “NiMH” deberán utilizarse únicamente con cargadores que estén etiquetados como “NiMH” o “NiCd/NiMH”.
- Bajo ciertas condiciones, con el cargador conectado a la toma de corriente, los contactos de carga expuesto dentro del cargador pueden hacer contacto entre sí debido a algún material externo. Los materiales externos de naturaleza conductora tales como alambre de acero, papel aluminio o cualquier tipo de partícula metálica deben conservarse alejados de las cavidades del cargador. Desconecte siempre el cargador de la toma de corriente cuando no tenga cargando una batería. También desconéctelo antes de intentar limpiarlo.
- No sumerja el cargador en agua u otro líquido.

MONTAJE

⚠ **ADVERTENCIA:** Antes de intentar cualquiera de las siguientes operaciones, asegúrese de que la hoja de la sierra se haya detenido y de haber quitado la batería. Las hojas de la sierra que se utilizaron pueden estar calientes.

Colocación de la hoja de sierra (fig. 3)

- Sujete la hoja (7) según se ilustra, con los dientes hacia adelante.
- Empuje la palanca (3) hacia abajo.
- Inserte la espiga de la hoja en el portahoja (10) lo más adentro que pueda.
- Suelte la palanca.
- Ajuste el rodillo de apoyo de la hoja según se describe a continuación.

Ajuste del rodillo de apoyo de la hoja (fig. 4)

- Después de poner la hoja, es necesario ajustar el rodillo de apoyo de la hoja (4).
- Gire la perilla de bloqueo (6) en dirección **A**.
 - Deslice el rodillo de soporte de la hoja contra la parte posterior de la hoja. La hoja debe encajar en la ranura central del rodillo.
 - Gire la perilla de bloqueo (6) en dirección **B** para encajar la platina en su lugar.

Para conectar la aspiradora a la herramienta (fig. 5 & 6)

- Alinear el adaptador de extracción de polvo (9) con la platina de la sierra según se ilustra.
 - Insertar las nervaduras (12) en las ranuras (13).
 - Girar el adaptador hasta que encaja en posición. Asegurar que las nervaduras (14) se asientan correctamente.
 - Conectar la manguera de la aspiradora (11) (no suministrada) al adaptador.
- No es posible extraer el polvo cuando se realizan cortes de biselado.

USO

⚠ **ADVERTENCIA:** Nunca use la herramienta cuando la platina está aflojada o quitada.

Ajuste de la platina para cortes de biselado (fig. 7)

- Se puede fijar la platina para un ángulo de biselado hacia derecha o izquierda hasta 45°.
- Gire la perilla de bloqueo (6) en dirección **A** para liberar la platina (5).
 - Tire de la platina (5) hacia atrás y fijela al ángulo requerido. Usted puede usar la escala o un transportador para verificar el ángulo.
 - Gire la perilla de bloqueo (6) en dirección **B** para encajar la platina en su lugar.
- Para fijar de nuevo la platina para cortes rectos:
- Gire la perilla de bloqueo (6) en dirección **A** para liberar la platina (5).
 - Tire de la platina (6) hacia atrás y fijela al ángulo de aproximadamente 0°.
 - Empuje la platina hacia adelante.
 - Gire la perilla de bloqueo (6) en dirección **B** para encajar la platina en su lugar. Asegúrese de que la platina está apoyada por las nervaduras de guía.

Para prender y apagar la herramienta

- Para encender la herramienta, presione el botón de bloqueo (2) de cualquiera de los lados, luego presione el interruptor de velocidad variable (1). La velocidad de la herramienta depende de cuánto presione el interruptor.
- Para apagar la herramienta, suelte el interruptor de velocidad variable.

Cómo utilizar el dispositivo Sightline® (fig. 8)

- Use un lápiz para marcar la línea de corte.
- Posicione la sierra caladora encima de la línea (15).

Al poder ver la línea de corte directamente desde encima de la sierra, ésta puede seguirse fácilmente. Si esta vista queda restringida por alguna razón, se puede utilizar la muesca (16) como guía alternativa de corte.

SUGERENCIA PARA UN USO ÓPTIMO

General

- Use velocidad alta para madera, mediana para aluminio y PVC y baja para los demás metales que no sean aluminio.

Para aserrar laminados

- Como la hoja de sierra hace el corte en su trayectoria hacia arriba, puede que la superficie más cercana a la platina se astille.
- Use una hoja de dientes afinados.
 - Haga el aserrado desde la superficie posterior de la pieza de corte.
 - A fin de minimizar el astillado, afiance un resto de madera o madera prensada a ambos lados de la pieza de corte y proceda a aserrar a través de esta especie de "sandwich".

Aserrado en metal

- Para empezar, recuerde que aserrar metales toma mucho más tiempo que aserrar madera.
- Use una hoja apropiada para aserrar metales.
- En cortes de láminas delgadas, afiance un resto de madera a la parte posterior de la pieza y corte a través de esta especie de "sandwich".
- Esparza una película fina de aceite a lo largo de la línea de corte propuesta.

⚠ **ATENCIÓN:** No utilice el adaptador de aspiradora cuando corte en metal. Las limaduras de metal pueden estar calientes y pueden ocasionar un incendio.

Detección de problemas

Problema

- La unidad no enciende.

Causa posible

- La batería no está bien instalada.

- La batería no carga.

- La batería no carga.

- La batería no está insertada en el cargador.

- El cargador no está enchufado.

- Temperatura ambiental demasiado caliente o demasiado fría.

Solución posible

- Verifique la instalación de la batería.

- Verifique los requisitos de carga de la batería.

- Inserte la batería en el cargador hasta que se encienda la luz roja (LED).
 - Enchufe el cargador en un tomacorriente que funcione.
- Para conocer más detalles, consulte "Notas importantes sobre la carga".

- Mueva el cargador y la herramienta a un ambiente con una temperatura superior a 4,5 °C (40 °F) o inferior a 40,5 °C (105 °F).

Para conocer la ubicación del centro de mantenimiento más cercano a fin de recibir ayuda con su producto, visite nuestro sitio Web www.blackanddecker.com o llame a la línea de ayuda BLACK & DECKER al (55)5326-7100.

Mantenimiento

Utilice solamente jabón suave y agua para limpiar la herramienta. Nunca permita que ningún líquido se introduzca dentro de la misma; nunca sumerja ninguna parte de la herramienta dentro de algún líquido.

IMPORTANTE: Para garantizar la SEGURIDAD y la FIABILIDAD del producto, toda reparación, mantenimiento y ajuste, deberán ser realizados en los centros autorizados de servicio u otras organizaciones de servicio calificadas, utilizando siempre para ello accesorios originales.



El sello RBRC™

El sello RBRC™ (Rechargeable Battery Recycling Corporation o Corporación de Reciclaje de Baterías Recargables) en la batería (o unidad de alimentación) de níquel-cadmio indica que los costos de reciclaje de la batería (o unidad de alimentación), una vez que llegue al final de su vida útil, ya han sido pagados por Black & Decker. En algunas áreas es ilegal botar baterías de níquel-cadmio gastadas en la basura o corriente de residuos sólidos urbanos, y el programa RBRC ofrece una alternativa ecológica. RBRC, en colaboración con Black & Decker y otros usuarios de baterías, ha establecido programas en los EE.UU. y Canadá para facilitar la colección de baterías de níquel-cadmio gastadas.

Ayude a proteger nuestro medio ambiente y a conservar los recursos naturales devolviendo la batería de níquel-cadmio gastada a un centro de servicio Black & Decker autorizado o a su distribuidor local para que sea reciclada. También puede contactar a su centro local de reciclaje para mayor información sobre dónde ir a dejar la batería gastada, o llame al (55)5326-7100

Información de servicio

Black & Decker ofrece una red completa de centros de servicio y centros autorizados en toda Norteamérica. Todos los centros de servicio Black & Decker disponen de personal entrenado para dar un servicio eficiente y confiable a las herramientas eléctricas de sus clientes. De

necesitar orientación técnica, reparación o repuestos originales de fábrica, diríjase al centro Black & Decker local. Para hallar la ubicación del centro de servicio más cercano, busque en las páginas amarillas de la guía telefónica bajo "Herramientas—Eléctricas" o llame a: (55)5326-7100

Garantía completa de dos años para uso doméstico

Black & Decker (U.S.) Inc. garantiza este producto por dos años contra cualquier defecto en su material o fabricación. Existen dos opciones para reemplazar o reparar el producto defectuoso, sin costo.

La primera, la cual resultará sólo en un cambio, es devolver el producto al vendedor del cual fue comprado (siempre que sea un local participante). Las devoluciones deberán realizarse durante el plazo especificado en la política de devoluciones del vendedor (generalmente entre 30 y 90 días después de la fecha de compra). Puede que sea necesario presentar prueba de compra. Por favor averigüe cuál es la política del vendedor para devoluciones efectuadas más allá del plazo para cambios.

La segunda opción es llevar o enviar el producto (con franqueo pagado) a un Centro de Servicio autorizado o al Centro de Servicio Black & Decker para su reparación o reemplazo, a decisión nuestra. Puede que sea necesario presentar prueba de compra. Los Centros de Servicio autorizados y Centros de Servicio Black & Decker se encuentran en las páginas amarillas bajo "Herramientas eléctricas".

Esta garantía no aplica a los accesorios. Esta garantía le da derechos legales específicos además de los cuales puede tener otros, los cuales varían entre estados. Si tuviese alguna pregunta, contacte al gerente de su Centro de Servicio Black & Decker más cercano. Este producto no es para uso comercial.

Sustitución gratuita de las etiquetas de advertencia: Si sus etiquetas de advertencia se vuelven ilegibles o se pierden, llame al (55)5326-7100 para conseguir repuestos gratuitos.

Nota especial de GARANTÍA para Contratistas:

Los productos de marca FIRESTORM™ se ofrecen como herramientas de calidad superior para uso doméstico y llevan una GARANTÍA PARA USO DOMÉSTICO.

Estas herramientas son diseñadas, fabricadas y probadas para satisfacer o sobrepasar las necesidades del bricolero en la ejecución de proyectos y reparaciones en su casa y sus alrededores. El uso apropiado de esta herramienta le dará al dueño de casa una potencia y un desempeño superiores que durarán mucho más que la garantía de dos años. Sin embargo, si utiliza herramientas para su trabajo y usa productos de marca FIRESTORM™ o cualquiera de las herramientas para uso doméstico Black & Decker EN SU LUGAR DE TRABAJO, debería saber que NO PODRÁ SER CUBIERTO BAJO NUESTRA GARANTÍA.

Para reparación y servicio de sus herramientas eléctricas, favor de dirigirse al Centro de Servicio más cercano:

CULIACAN, SIN

Av. Nicolás Bravo #1063 Sur
(667) 7 12 42 11
Col. Industrial Bravo

GUADALAJARA, JAL

Av. La Paz #1779
(33) 3825 6978
Col. Americana Sector Juárez

MEXICO, D.F.

Eje Central Lázaro Cardenas
No. 18
(55) 5588 9377
Local D, Col. Obrera

MERIDA, YUC

Calle 63 #459-A
(999) 928 5038
Col. Centro

MONTERREY, N.L.

Av. Francisco I. Madero
No.831
(81) 8375 2313
Col. Centro

PUEBLA, PUE

17 Norte #205
(222) 246 3714
Col. Centro

QUERETARO, QRO

Av. Madero 139 Pte.
(442) 214 1660
Col. Centro

SAN LUIS POTOSI, SLP

Av. Universidad 1525
(444) 814 2383
Col. San Luis

TORREON, COAH

Blvd. Independencia, 96 Pte.
(871) 716 5265
Col. Centro

VERACRUZ, VER

Prolongación Díaz Mirón #4280
(229)921 7016
Col. Remes

VILLAHERMOSA, TAB

Constitución 516-A
(993) 312 5111
Col. Centro

Vea "Herramientas
eléctricas (Tools-Electric)"
– Páginas amarillas –
para Servicio y ventas



BLACK & DECKER S.A. DE C.V.
BOSQUES DE CIDROS ACCESO RADIATAS NO. 42
COL. BOSQUES DE LAS LOMAS.
05120 MÉXICO, D.F.
TEL. 55-5326-7100

Especificaciones

Cargador: 120 V AC, 60Hz, 25W
Salida: 2X, 21,75 VDC @ 210mA