

# FIRESTORM<sup>®</sup>

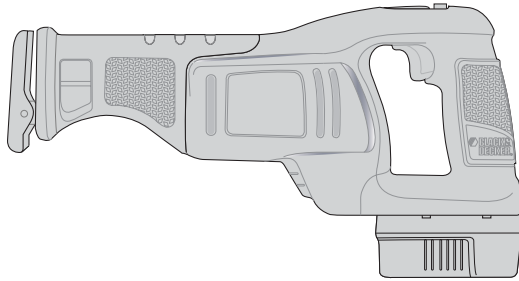
HIGH PERFORMANCE TOOLS

OUTILS À HAUT RENDEMENT  
HERRAMIENTAS DE ALTO RENDIMIENTO

BY BLACK & DECKER

## 18 & 24 Volt Cordless Reciprocating Saws

# INSTRUCTION MANUAL



CATALOG NUMBERS  
FS1800RS / FS2400RS

THANK YOU FOR CHOOSING FIRESTORM! GO TO  
[WWW.FIRESTORMTOOLS.COM/PRODUCTREGISTRATION](http://WWW.FIRESTORMTOOLS.COM/PRODUCTREGISTRATION)  
TO REGISTER YOUR NEW PRODUCT.

BEFORE RETURNING THIS PRODUCT  
FOR ANY REASON PLEASE CALL  
**1-800-544-6986**

BEFORE YOU CALL, HAVE THE CATALOG No. AND DATE CODE AVAILABLE. IN MOST CASES, A BLACK & DECKER REPRESENTATIVE CAN RESOLVE THE PROBLEM OVER THE PHONE. IF YOU HAVE A SUGGESTION OR COMMENT, GIVE US A CALL. YOUR FEEDBACK IS VITAL TO BLACK & DECKER.

## KEY INFORMATION YOU SHOULD KNOW:

- Keep shoe firmly against work surface.
- Charge battery for 9 hours before first use. For more information see "CHARGING THE POWER PACK".

### SAVE THIS MANUAL FOR FUTURE REFERENCE.

VEA EL ESPAÑOL EN LA CONTRAPORTADA.  
INSTRUCTIVO DE OPERACIÓN, CENTROS DE SERVICIO Y  
PÓLIZA DE GARANTÍA. ADVERTENCIA: LEÁSE ESTE  
INSTRUCTIVO ANTES DE USAR EL PRODUCTO.

CAT. NO. FS1800RS/FS2400RS FORM NO. 609746-08 REV. 1  
Copyright©2006 Black & Decker

Printed in China  
(MAR. '06)

## GENERAL SAFETY RULES - FOR ALL BATTERY OPERATED TOOLS

### WARNING! READ AND UNDERSTAND ALL INSTRUCTIONS.

Failure to follow all instructions listed below, may result in electric shock, fire and/or serious personal injury.

### SAVE THESE INSTRUCTIONS

#### Work Area

- **Keep your work area clean and well lit.** Cluttered benches and dark areas invite accidents.
- **Do not operate power tools in explosive atmospheres, such as in the presence of flammable liquids, gases, or dust.** Power tools create sparks which may ignite the dust or fumes.
- **Keep bystanders, children, and visitors away while operating a power tool.** Distractions can cause you to lose control.

#### Electrical Safety

- **Do not abuse the cord. Never use the cord to carry the tool. Keep cord away from heat, oil, sharp edges or moving parts. Replace damaged cords immediately.** Damaged cords may create a fire.
- **A battery operated tool with integral batteries or a separate battery pack must be recharged only with the specified charger for the battery.** A charger that may be suitable for one type of battery may create a risk of fire when used with another battery.
- **Use battery operated tool only with specifically designated battery pack.** Use of any other batteries may create a risk of fire.

#### Personal Safety

- **Stay alert, watch what you are doing and use common sense when operating a power tool. Do not use tool while tired or under the influence of drugs, alcohol, or medication.** A moment of inattention while operating power tools may result in serious personal injury.
- **Dress properly. Do not wear loose clothing or jewelry. Contain long hair. Keep your hair, clothing, and gloves away from moving parts.** Loose clothes, jewelry, or long hair can be caught in moving parts.
- **Avoid accidental starting. Be sure switch is in the locked or off position before inserting battery pack.** Carrying tools with your finger on the switch or inserting the battery pack into a tool with the switch on invites accidents.
- **Remove adjusting keys or wrenches before turning the tool on.** A wrench or a key that is left attached to a rotating part of the tool may result in personal injury.
- **Do not overreach. Keep proper footing and balance at all times.** Proper footing and balance enable better control of the tool in unexpected situations.
- **Use safety equipment. Always wear eye protection.** Dust mask, non-skid safety shoes, hard hat, or hearing protection must be used for appropriate conditions.

#### Tool Use and Care

- **Use clamps or other practical way to secure and support the workpiece to a stable platform.** Holding the work by hand or against your body is unstable and may lead to loss of control.
- **Do not force tool. Use the correct tool for your application.** The correct tool will do the job better and safer at the rate for which it is designed.
- **Do not use tool if switch does not turn it on or off.** A tool that cannot be controlled with the switch is dangerous and must be repaired.
- **Disconnect battery pack from tool or place the switch in the locked or off position before making any adjustments, changing accessories, or storing the tool.** Such preventive safety measures reduce the risk of starting the tool accidentally.
- **Store idle tools out of reach of children and other untrained persons.** Tools are dangerous in the hands of untrained users.
- **When battery pack is not in use, keep it away from other metal objects like: paper clips, coins, keys, nails, screws or other small metal objects that can make a connection from one terminal to another.** Shorting the battery terminals together may cause sparks, burns, or a fire.

- **Maintain tools with care. Keep cutting tools sharp and clean.** Properly maintained tools, with sharp cutting edge are less likely to bind and are easier to control.
- **Check for misalignment or binding of moving parts, breakage of parts, and any other condition that may affect the tool's operation. If damaged, have the tool serviced before using.** Many accidents are caused by poorly maintained tools.
- **Use only accessories that are recommended by the manufacturer for your model.** Accessories that may be suitable for one tool may create a risk of injury when used on another tool.

#### Service

- **Tool service must be performed only by qualified repair personnel.** Service or maintenance performed by unqualified personnel may result in a risk of injury.
- **When servicing a tool, use only identical replacement parts. Follow instructions in the Maintenance section of this manual.** Use of unauthorized parts or failure to follow Maintenance Instructions may create a risk of shock or injury.

#### SPECIFIC SAFETY RULES

- **Hold tool by insulated gripping surfaces when performing an operation where the cutting tool may contact hidden wiring or its own cord.** Contact with a "live" wire will make exposed metal parts of the tool "live" and shock the operator.
- **Use extra caution when cutting overhead and pay particular attention to overhead wires which may be hidden from view. Anticipate the path of falling branches and debris ahead of time.**
- **KEEP HANDS AWAY** from cutting area. Never reach underneath the material for any reason. Hold front of saw by grasping the contoured gripping area. Do not insert fingers or thumb into the vicinity of the reciprocating blade and blade clamp. Do not stabilize the saw by gripping the shoe.
- **KEEP BLADES SHARP.** Dull blades may cause the saw to swerve or stall under pressure.

**WARNING:** Some dust created by power sanding, sawing, grinding, drilling, and other construction activities contains chemicals known to cause cancer, birth defects or other reproductive harm. Some examples of these chemicals are:

- lead from lead-based paints,
- crystalline silica from bricks and cement and other masonry products, and
- arsenic and chromium from chemically-treated lumber (CCA).

Your risk from these exposures varies, depending on how often you do this type of work. To reduce your exposure to these chemicals: work in a well ventilated area, and work with approved safety equipment, such as those dust masks that are specially designed to filter out microscopic particles.

- **Avoid prolonged contact with dust from power sanding, sawing, grinding, drilling, and other construction activities. Wear protective clothing and wash exposed areas with soap and water.** Allowing dust to get into your mouth, eyes, or lay on the skin may promote absorption of harmful chemicals.

**WARNING:** Use of this tool can generate and/or disperse dust, which may cause serious and permanent respiratory or other injury. Always use NIOSH/OSHA approved respiratory protection appropriate for the dust exposure. Direct particles away from face and body.

**CAUTION:** Wear appropriate hearing protection during use. Under some conditions and duration of use, noise from this product may contribute to hearing loss.

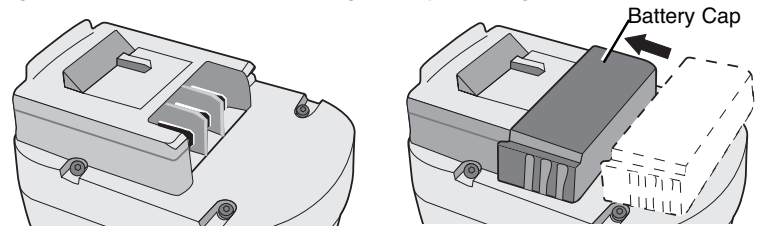
**WARNING:** Do not operate this tool for long periods of time. Vibration caused by the operating action of this tool may cause permanent injury to fingers, hands, and arms. Use gloves to provide extra cushion, take frequent rest periods, and limit daily time of use.

The label on your tool may include the following symbols.

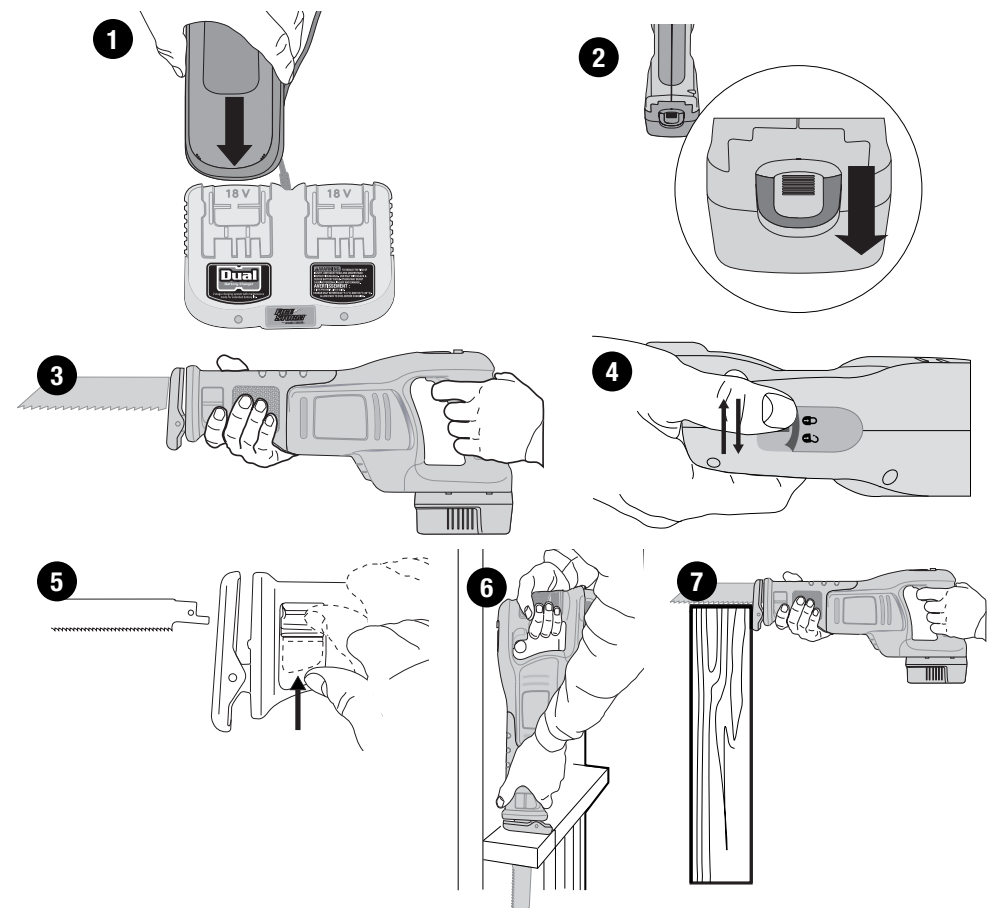
V .....	volts	A .....	amperes
Hz .....	hertz	W .....	watts
min .....	minutes	~ .....	alternating current
— — — .....	direct current	n <sub>o</sub> .....	no load speed
□ .....	Class II Construction	⊕ .....	earthing terminal
⚠ .....	safety alert symbol	.../min .....	revolutions or reciprocations per minute
🔒 .....	lock-on symbol	🔒 .....	lock-off symbol
🔑 .....	Quick Release lock-on symbol		

## BATTERY CAP INFORMATION

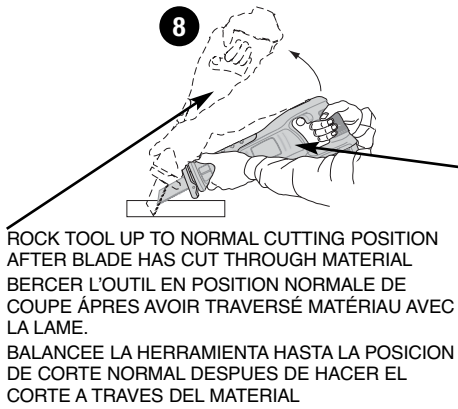
Battery storage and carrying caps are provided for use whenever the battery is out of the tool or charger. Remove cap before placing battery in charger or tool.



**WARNING:** Do not store or carry battery so that metal objects can contact exposed battery terminals. For example, do not place battery in aprons, pockets, tool boxes, product kit boxes, drawers, etc. with loose nails, screws, keys, etc. without battery cap. Transporting batteries can possibly cause fires if the battery terminals inadvertently come in contact with conductive materials such as keys, coins, hand tools and the like. The US Department of Transportation Hazardous Material Regulations (HMR) actually prohibit transporting batteries in commerce or on airplanes (i.e. packed in suitcases and carryon luggage) UNLESS they are properly protected from short circuits. So when transporting individual batteries, make sure that the battery terminals are protected and well insulated from materials that could contact them and cause a short circuit.







STARTING POSITION FOR POCKET CUTTING  
POSITION DE DÉPART POUR LES COUPES EN RETRAIT  
POSICION DE INICIO PARA EL CORTE DE BOLSILLO

ROCK TOOL UP TO NORMAL CUTTING POSITION  
AFTER BLADE HAS CUT THROUGH MATERIAL  
BERCER L'OUTIL EN POSITION NORMALE DE  
COUPE APRES AVOIR TRAVERSE MATÉRIAU AVEC  
LA LAME.  
BALANCEE LA HERRAMIENTA HASTA LA POSICION  
DE CORTE NORMAL DESPUES DE HACER EL  
CORTE A TRAVES DEL MATERIAL

## IMPORTANT SAFETY INSTRUCTIONS

- **SAVE THESE INSTRUCTIONS.**
- Before using charger, read and understand all instructions and cautionary markings on (1) charger, (2) battery pack, and (3) product using battery pack.
- ⚠ **DANGER:** 120 volts present at charging terminals. Do not probe with conductive objects. Danger of electric shock or electrocution.
- ⚠ **DANGER:** If battery pack case is cracked or damaged, do not insert into charger. Danger of electric shock or electrocution.
- ⚠ **DANGER:** Never attempt to open the battery pack for any reason. If the plastic housing of the battery pack breaks or cracks, return to a service center for recycling.
- ⚠ **WARNING:** Don't allow any liquid to get inside charger. Electric shock may result.
- ⚠ **CAUTION:** To reduce risk of injury, charge only Black & Decker rechargeable batteries. Other types of batteries may burst, causing personal injury and damage.
- To facilitate the cooling of the battery pack after use, avoid placing the charger or battery pack in a warm environment such as in a metal shed, or an uninsulated trailer.
- Do not expose charger to rain or snow.
- Use of an attachment not recommended or sold by Black & Decker may result in risk of fire, electric shock, or injury to persons.
- This charger is not intended for any uses other than charging Black & Decker rechargeable batteries. Any other uses may result in risk of fire, electric shock or electrocution.
- To reduce risk of damage to electric plug and cord, pull by plug rather than cord when disconnecting charger.
- Make sure cord is located so that it will not be stepped on, tripped over, or otherwise subjected to damage or stress.
- An extension cord should not be used unless absolutely necessary. Use of improper extension cord could result in risk of fire, electric shock, or electrocution. If an extension cord must be used, make sure:
  - That the pins on plug of extension cord are the same number, size and shape of those of plug on charger.
  - That extension cord is properly wired and in good electrical condition and the wire size is large enough for AC ampere rating of charger as specified below.

An extension cord must have adequate wire size (AWG or American Wire Gauge) for safety. The smaller the gauge number of the wire, the greater the capacity of the cable, that is, 16 gauge has more capacity than 18 gauge. When using more than one extension to make up the total length, be sure each individual extension contains at least the minimum wire size.

### RECOMMENDED MINIMUM AWG SIZE FOR EXTENSION CORDS

TOTAL EXTENSION CORD LENGTH (FEET)	25	50	75	100	125	150	175
WIRE GAUGE	18	18	16	16	14	14	12

- The charger is ventilated through slots in the housing. Do not place any object on top of charger or place the charger on a soft surface that might block the ventilation slots and result in excessive internal heat. Place the charger in a position away from any heat source.
- Do not operate charger with damaged cord or plug — have them replaced immediately.
- Do not operate charger if it has received a sharp blow, been dropped, or otherwise damaged in any way; take it to an authorized service center.
- Do not disassemble charger; take it to an authorized service center when service or repair is required. Incorrect reassembly may result in risk of electric shock, electrocution or fire.
- The charger is designed to operate on standard 120 VAC, 60Hz household electrical power. Do not attempt to use it on any other voltage.
- To reduce risk of electric shock, unplug charger from outlet before attempting any cleaning. Removing the battery pack will not reduce this risk.
- NEVER attempt to connect 2 chargers together.
- DO NOT store or use the tool and battery pack in locations where the temperature may reach or exceed 105°F (such as outside sheds or metal buildings in summer).
- A small leakage of liquid from the battery cells may occur under extreme usage, charging or temperature conditions. This does not indicate a failure. However, if the outer seal is broken and this leakage gets on your skin:
  - Wash quickly with soap and water.
  - Neutralize with a mild acid such as lemon juice or vinegar.
  - If the battery liquid gets in your eyes, flush them with clean water for a minimum of 10 minutes and seek immediate medical attention. **MEDICAL NOTE:** The liquid is a 25-35% solution of potassium hydroxide.

## SAVE THESE INSTRUCTIONS

### INTRODUCTION

#### READ AND UNDERSTAND ALL OF THE INSTRUCTIONS IN THIS MANUAL BEFORE ATTEMPTING TO CHARGE THE BATTERY PACK FOR YOUR TOOL.

Your charger is designed to use standard 120 volt AC, 60 Hz power. Do not use DC or any other voltage. Charge time is 3 to 6 hours depending on battery pack type and condition.

### CHARGING PROCEDURE

1. Plug the charger into an appropriate outlet.
2. Insert 1 or 2 batteries into the charger (Figure 1).

**NOTE:** Charge time is the same for multiple batteries. Be sure the battery is fully seated in the charger. The red "Charging Indicator" light will come on indicating that there is contact between the battery and charger. The light will stay on as long as the battery is in the charger and the charger is plugged into a working outlet. It **WILL NOT** flash, go out or change to a different color when the charging cycle is complete.

Remove pack from the charger and place in tool. **NOTE:** To remove the battery from the tool, press down on the release button on the back of the battery (Figure 2) and pull out.

### LEAVING THE BATTERY PACK IN THE CHARGER

The charger and battery pack can be left connected with the red light glowing indefinitely. The charger will keep the battery pack fresh and fully charged.

**NOTE:** A battery pack will slowly lose its charge when kept out of the charger. If the battery pack has not been kept on maintenance charge, it may need to be recharged before use. A battery pack may also slowly lose its charge if left in a charger that is not plugged into an appropriate AC source.

### IMPORTANT CHARGING NOTES

1. Longest life and best performance can be obtained if the battery pack is charged when the air temperature is between 65°F and 75°F (18° - 24°C). DO NOT charge the battery pack in an air temperature below +40°F (+4.5°C), or above +105°F (+40.5°C). This is important and will prevent serious damage to the battery pack.
2. The charger and battery pack may become warm to touch while charging. This is a normal condition, and does not indicate a problem.
3. If the battery pack does not charge properly — (1) Check power at receptacle by plugging in a lamp or other appliance. (2) Check to see if receptacle is connected to a light switch which turns power off when you turn out the lights. (3) Move charger and battery pack to a location where the surrounding air temperature is approximately 65°F - 75°F (18° - 24°C). (4) If charging problems persist, take or send the tool, battery pack and charger to your local service center.
4. The battery pack should be recharged when it does not produce sufficient power on jobs which were easily done previously. DO NOT CONTINUE use under these conditions. Follow the charging procedures. You may also charge a partially used pack whenever you desire with no adverse affect on the battery pack.

5. Black & Decker battery packs that are labeled "NiMH" should only be used with chargers labeled "NiMH" or "NiCd/NiMH."
6. Under certain conditions, with the charger plugged into the power supply, the exposed charging contacts inside the charger can be shorted by foreign material. Foreign materials of a conductive nature such as, but not limited to, steel wool, aluminum foil, or any buildup of metallic particles should be kept away from charger cavities. Always unplug the charger from the power supply when there is no battery pack in the cavity. Unplug charger before attempting to clean.
7. Do not immerse charger in water or any other liquid.

## OPERATION

⚠ **CAUTION:** Always wear eye protection while operating this power tool.

**NOTE:** Before cutting any type of material, be sure it is firmly anchored or clamped to prevent slipping.

- Place blade and shoe lightly against work to be cut.
- Switch on saw motor and allow it to obtain maximum speed before applying pressure.
- Always hold saw firmly with both hands while cutting as shown in Figure 3. Whenever possible, the saw shoe must be held firmly against the material being cut. This will prevent the saw from jumping or vibrating and minimize blade breakage.

### TRIGGER SWITCH (FIGURE 4)

Release lock-off by switching to the unlocked position shown in Fig. 4 from either side of the saw. Pull the trigger switch to turn the motor ON. Releasing the trigger turns the motor OFF.

**NOTE:** This tool has no provision to lock the switch in the ON position, and should never be locked in the ON position by any other means.

### BLADE CLAMP RELEASE LEVER (FIGURE 5)

⚠ **CAUTION: TURN OFF AND REMOVE BATTERY FROM TOOL.**

To install blade into saw:

1. Open blade clamp release lever to its full open position as shown in Figure 5.
2. Insert blade shank from the front.
3. Close blade clamp release lever.

To remove blade from saw:

1. Open blade clamp release lever to its full open position.
2. Remove blade.

### FLUSH CUTTING (FIGURE 6)

- The compact design of the reciprocating saw motor housing and pivoting shoe permit close cutting to floors, corners and other difficult areas.
- To maximize flush cutting capabilities, insert the blade shaft into the blade clamp with the teeth of the blade facing up.
- Turn the saw upside down so you are as close to the work surface as possible.

### WOOD CUTTING (FIGURE 7)

- Before cutting any type of wood, be sure the work piece is firmly anchored or clamped to prevent slipping.
- Place blade and shoe lightly against work to be cut.
- Switch on saw motor before applying pressure.
- Always hold saw firmly with both hands while cutting. Whenever possible, the shoe must be held firmly against the material being cut. This will prevent the saw from jumping or vibrating and minimize blade breakage.

### METAL CUTTING

- Use a finer blade for ferrous metals and a coarse blade for non-ferrous materials.
- In thin gauge sheet metals it is best to clamp wood to both sides of sheet. This will ensure a clean cut without excess vibration or tearing of metal.
- Avoid forcing cutting blade as this reduces blade life and causes costly blade breakage.

**NOTE:** You should spread a thin film of oil or other coolant along the line ahead of the saw cut for easier operation and longer blade life. For cutting aluminum, kerosene is preferred.

### POCKET CUTTING - WOOD ONLY (FIGURE 8)

- Measure the surface area to be cut and mark clearly with a pencil, chalk or scribe.
- Insert pocket cutting blade in blade clamp and tighten blade clamp securely.
- Tip the saw backward until the back edge of the shoe is resting on the work surface.
- Switch motor on, permitting blade to attain maximum speed.
- Grip handle steadily and begin a slow, deliberate upward swing with the handle of the saw.
- The blade will begin to feed into material. Always be sure blade is completely through material before continuing with pocket cut.

**NOTE:** In areas where blade visibility is limited, use the edge of the shoe as a guide.

### PROJECT TIPS

- Cut only with sharp blades; they cut cleaner, faster and put less strain on the motor while cutting.
- When cutting, always ensure that the shoe is resting against the workpiece. This will improve operator control and minimize vibration.
- For longer blade life, use bi-metal blades. These utilize a carbon steel back welded to high speed steel teeth making the blade more flexible and less prone to breaking.

### Troubleshooting

Problem	Possible Cause	Possible Solution
• Unit will not start.	• Battery not installed properly. • Battery not charged.	• Check battery installation. • Check battery charging requirements.
• Battery will not charge.	• Battery not inserted into charger. • Charger not plugged in.  • Surrounding air temperature too hot or too cold.	• Insert battery into charger until red LED appears. • Plug charger into a working outlet. Refer to "Important Charging Notes" for more details. • Move charger and tool to a surrounding air temperature of above 40 degree F (4,5°C) or below 105 degree F (+40,5°C).

For assistance with your product, visit our website [www.blackanddecker.com](http://www.blackanddecker.com) for the location of the service center nearest you or call the BLACK & DECKER help line at **1-800-544-6986**.

### MAINTENANCE

#### REMOVE BATTERY FROM SAW WHEN PERFORMING ANY CLEANING OR OTHER MAINTENANCE. WHEN SERVICING USE ONLY IDENTICAL REPLACEMENT PARTS.

- Avoid using solvents when cleaning plastic parts. Most plastics are susceptible to various types of commercial solvents and may be damaged by their use. Use clean cloths to remove dirt, carbon dust etc.
- When electric tools are used on fiberglass boats, sports cars, drywall etc., they are subject to accelerated wear and possible premature failure, as the fiberglass chips and grindings and drywall dust are highly abrasive to bearings, brushes, commutator, etc. During any use on fiberglass or drywall it is extremely important that the tool be cleaned frequently by blowing with an air jet.

### LUBRICATION

Your tool was properly lubricated before leaving the factory. Once every year take or send your tool to a Black & Decker service center, or authorized service station, for a complete cleaning, inspection and lubrication. Tools "out of service" for long periods should be relubricated before being put back to work.

**IMPORTANT:** To assure product SAFETY and RELIABILITY, repairs, maintenance and adjustment should be performed by authorized service centers or other qualified service organizations, always using identical replacement parts

### ACCESSORIES

The FS1800RS / FS2400RS FIRESTORM™ reciprocating saw will accept up to a 12 inch long blade. Always use the shortest blade suitable for your project. Longer blades are more likely to be bent or damaged during use. During operation some longer blades may vibrate or shake if the saw is not kept in contact with the workpiece.



Recommended accessories for use with your tool are available from your local dealer or authorized service center. If you need assistance regarding accessories, please call: **1-800-54-HOW-TO. (800-544-6986)**

**⚠ WARNING:** The use of any accessory not recommended for use with this tool could be hazardous.

#### THE RBRC™ SEAL

The RBRC™ (Rechargeable Battery Recycling Corporation) Seal on the nickel-cadmium battery (or battery pack) indicates that the costs to recycle the battery (or battery pack) at the end of its useful life have already been paid by Black & Decker. In some areas, it is illegal to place spent nickel-cadmium batteries in the trash or municipal solid waste stream and the RBRC program provides an environmentally conscious alternative.

RBRC in cooperation with Black & Decker and other battery users, has established programs in the United States and Canada to facilitate the collection of spent nickel-cadmium batteries. Help protect our environment and conserve natural resources by returning the spent nickel-cadmium battery to an authorized Black & Decker service center or to your local retailer for recycling. You may also contact your local recycling center for information on where to drop off the spent battery, or call **1-800-8-BATTERY**.



#### SERVICE INFORMATION

Black & Decker offers a full network of company-owned and authorized service locations throughout North America. All Black & Decker Service Centers are staffed with trained personnel to provide customers with efficient and reliable power tool service. Whether you need technical advice, repair, or genuine factory replacement parts, contact the Black & Decker location nearest you. To find your local service location, refer to the yellow page directory under "Tools—Electric" or call: **1-800-54-HOW TO (544-6986)**.

#### SPECIAL WARRANTY NOTE TO CONTRACTORS:

FIRESTORM™ branded products are offered as high end consumer home use tools and carry a **HOME USE WARRANTY**. These tools are designed, manufactured and tested to meet or exceed the needs of the do-it-yourselfer in the execution of projects and repairs in and around the home. With proper use they will provide the home owner with step up power and performance well beyond their two year warranty. However, if you use tools for a living and use FIRESTORM™ branded products or any of Black & Decker's other Consumer Home Use tools **ON THE JOBSITE** you should know that they **CANNOT BE COVERED UNDER OUR WARRANTY**.

#### FULL TWO-YEAR HOME USE WARRANTY

Black & Decker (U.S.) Inc. warrants this product for two years against any defects in material or workmanship. The defective product will be replaced or repaired at no charge in either of two ways.

The first, which will result in exchanges only, is to return the product to the retailer from whom it was purchased (provided that the store is a participating retailer). Returns should be made within the time period of the retailer's policy for exchanges (usually 30 to 90 days after the sale). Proof of purchase may be required. Please check with the retailer for their specific return policy regarding returns that are beyond the time set for exchanges.

The second option is to take or send the product (prepaid) to a Black & Decker owned or authorized Service Center for repair or replacement at our option. Proof of purchase may be required. Black & Decker owned and authorized Service Centers are listed under "Tools-Electric" in the yellow pages of the phone directory.

This warranty does not apply to accessories. This warranty gives you specific legal rights and you may have other rights which vary from state to state. Should you have any questions, contact the manager of your nearest Black & Decker Service Center.

Imported by  
Black & Decker (U.S.) Inc.,  
701 E. Joppa Rd.  
Towson, MD 21286 U.S.A.



See 'Tools-Electric'  
- Yellow Pages -  
for Service & Sales



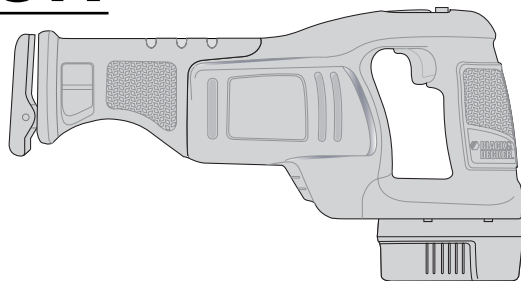
**FIRESTORM™**  
HIGH PERFORMANCE TOOLS

OUTILS À HAUT RENDEMENT  
HERRAMIENTAS DE ALTO RENDIMIENTO

BY BLACK & DECKER

Scie alternative sans fil de 18/24 volts

## GUIDE D'UTILISATION



Numéros de catalogue  
FS1800RS / FS2400RS

MERCI D'AVOIR CHOISI FIRESTORM ! VISITEZ  
[WWW.FIRESTORMTOOLS.COM/PRODUCTREGISTRATION](http://WWW.FIRESTORMTOOLS.COM/PRODUCTREGISTRATION)  
POUR ENREGISTRER VOTRE NOUVEAU PRODUIT.

AVANT DE RETOURNER CE PRODUIT POUR QUELQUE  
RAISON QUE CE SOIT, COMPOSER LE  
**1-800-544-6986**

AVANT D'APPELER, AYEZ EN MAIN LE N° DE CATALOGUE ET LE CODE DE DATE. DANS LA PLUPART  
DES CAS, UN REPRÉSENTANT DE BLACK & DECKER PEUT RÉSOUDRE LE PROBLÈME PAR  
TÉLÉPHONE. SI VOUS AVEZ UNE SUGGESTION OU UN COMMENTAIRE, APPELEZ-NOUS. VOS  
IMPRESSIONS SONT CRUCIALES POUR BLACK & DECKER.

### IMPORTANTS RENSEIGNEMENTS :

- Garder le patin fermement contre la surface de travail.
- Charger la pile pendant 9 heures avant d'utiliser l'outil pour la première fois. Pour obtenir plus d'information, visitez la section « CHARGEMENT DU BLOC-PILE ».

#### CONSERVER CE MANUEL POUR UN USAGE ULTÉRIEUR.

#### ⚠ RÈGLES DE SÉCURITÉ GÉNÉRALES CONCERNANT LES OUTILS À PILES

⚠ **AVERTISSEMENT :** LIRE, COMPRENDRE ET SUIVRE TOUTES LES DIRECTIVES précisées ci-dessous afin d'éviter les risques de choc électrique, d'incendie ou de blessure grave.

#### CONSERVER CES DIRECTIVES

#### Aire de travail

- **Garder l'aire de travail propre et bien éclairée;** les établis encombrés et les endroits sombres sont propices aux accidents.
- **Ne pas utiliser les outils électriques dans une atmosphère explosive, comme à proximité de liquides, de gaz ou de poussières inflammables;** le moteur peut créer des étincelles et enflammer les vapeurs ou les poussières environnantes.
- **Tenir les enfants, les visiteurs ou toute autre personne à l'écart lorsqu'on utilise un outil électrique;** les distractions peuvent faire perdre la maîtrise de ce dernier.

#### Mesures de sécurité – Électricité

- **Ne pas utiliser le cordon de manière abusive; on ne doit pas transporter l'outil en tenant par le cordon. On doit tenir le cordon à l'écart des sources de chaleur, de l'huile, des bords tranchants ou des pièces mobiles. Remplacer immédiatement les cordons endommagés,** car ces derniers peuvent causer un incendie.
- **Un outil à piles intégrées ou à bloc-pile externe doit être rechargé seulement au moyen du chargeur approprié,** car un chargeur destiné à une pile particulière peut entraîner un risque d'incendie lorsqu'il est utilisé avec une autre.
- **N'utiliser l'outil à piles qu'avec le bloc-pile désigné,** car l'utilisation d'un autre type de piles peut entraîner un risque d'incendie.

#### Sécurité personnelle

- **Rester vigilant en tout temps et faire preuve de jugement lorsqu'on utilise un outil électrique. Ne pas utiliser l'outil lorsqu'on est fatigué ou sous l'influence de drogues, d'alcool ou de médicaments,** car un moment d'inattention pourrait entraîner des blessures graves.
- **Porter des vêtements appropriés. Ne pas porter des vêtements amples ou des bijoux. Couvrir ou attacher les cheveux longs. Garder les cheveux, les vêtements, les bijoux et les gants éloignés des pièces mobiles,** car ceux-ci peuvent s'y coincer. Se tenir éloigné des événements puisque ces derniers pourraient camoufler des pièces mobiles.
- **Éviter les démarrages accidentels; s'assurer que l'interrupteur est en position de verrouillage ou d'arrêt avant d'insérer le bloc-pile dans l'outil. Ne pas transporter l'outil en laissant le doigt sur l'interrupteur ni y insérer le bloc-pile lorsque l'interrupteur est en position de marche,** car cela pourrait causer un accident.
- **Retirer les clés de réglage avant de démarrer l'outil. Une clé laissée sur une pièce rotative pourrait entraîner des blessures.**
- **Ne pas trop étendre les bras. Les pieds doivent rester ancrés fermement au sol afin de maintenir son équilibre en tout temps** et de mieux maîtriser l'outil dans des situations imprévues.
- **Utiliser le matériel de sécurité approprié; toujours porter des lunettes de protection. Porter un masque anti-poussières, des chaussures antidérapantes, un casque de sécurité ou des protecteurs auditifs lorsque la situation le requiert.**

#### Utilisation et entretien de l'outil

- **Fixer et soutenir la pièce sur une plate-forme stable au moyen d'une bride de serrage ou de tout autre dispositif semblable.** La pièce est instable lorsqu'on la retient manuellement ou qu'on l'appuie contre le corps, ce qui pourrait faire perdre la maîtrise de l'outil.
- **Ne pas forcer l'outil ni l'utiliser pour des travaux autres que ceux pour lesquels il a été conçu.** Pour obtenir de meilleurs résultats et prévenir les risques de blessure, laissez l'outil couper à la vitesse pour laquelle il a été conçu.
- **Ne pas utiliser l'outil lorsque l'interrupteur marche-arrêt ne fonctionne pas.** Un outil qui ne peut être commandé au moyen de l'interrupteur est dangereux et doit être réparé.
- **Debrancher le bloc-pile de l'outil ou mettre l'interrupteur en position de verrouillage ou d'arrêt avant d'effectuer un réglage, de changer les accessoires ou de ranger l'outil;** ces mesures de sécurité préventives réduisent les risques de démarrage accidentel.
- **Lorsqu'on n'utilise pas l'outil, le ranger hors de la portée des enfants ou des personnes non qualifiées.** Les outils sont dangereux entre les mains de personnes inexpérimentées.
- **Lorsqu'on n'utilise pas le bloc-pile, le ranger à l'écart des objets métalliques tels que les trombones, les pièces de monnaie, les clés, les clous, les vis ou autres petits objets susceptibles de conduire l'électricité entre les bornes et d'occasionner ainsi un court-circuit pouvant provoquer des étincelles, des brûlures ou un incendie.**
- **Bien entretenir l'outil; s'assurer qu'il est toujours bien propre et aiguisé.** Les outils bien entretenus et dont les bords sont bien tranchants sont moins susceptibles de rester coincés et sont plus faciles à maîtriser.
- **Vérifier les pièces mobiles afin de s'assurer qu'elles sont bien alignées et qu'elles ne restent pas coincées. Vérifier également les pièces afin de s'assurer qu'il n'y a aucun bris ni aucune autre condition susceptible de nuire au bon fonctionnement de l'outil. Faire réparer l'outil si ce dernier est endommagé avant de s'en servir à nouveau,** car les accidents sont souvent causés par des outils mal entretenus.
- **N'utiliser que les accessoires recommandés par le fabricant pour le modèle concerné.** Un accessoire destiné à un outil particulier peut être dangereux lorsqu'il est utilisé avec un autre.

#### ENTRETIEN

- **Confier l'entretien de l'outil seulement à du personnel qualifié.** Le non-respect de la présente directive présente des risques de blessures.
- **Lors de l'entretien de l'outil, utiliser seulement des pièces de rechange identiques.** Respecter les consignes relatives à l'entretien du présent guide d'utilisation. Il y a un risque de secousses électriques ou de blessures lorsqu'on utilise des pièces non autorisées ou lorsqu'on ne respecte pas les consignes relatives à l'entretien.

#### ⚠ Consignes de sécurité particulières

- **Tenir l'outil par les surfaces isolées prévues à cette fin lorsqu'il risque d'entrer en contact avec des fils cachés ou son propre cordon,** car de tels contacts peuvent mettre les pièces métalliques de l'outil sous tension, engendrant des risques de choc électrique.
- **Faire preuve d'une grande prudence en réalisant des coupes à bout de bras afin d'éviter les fils électriques aériens cachés. Anticiper la direction dans laquelle les branches coupées et les débris se détacheront et tomberont au sol.**
- **Garder les mains éloignées des zones de coupe. Ne pas mettre les mains sous la pièce pour quelque raison que ce soit. Saisir la section profilée à l'avant de l'outil. Ne pas mettre les doigts ou le pouce près de la lame à va-et-vient ni de sa bride de serrage. Ne pas stabiliser la scie en saisissant le patin.**
- **Maintenir les lames bien aiguisées en tout temps;** les lames usées peuvent faire dévier la scie ou faire caler le moteur lorsqu'on exerce une pression sur l'outil.
- **Saisir les surfaces isolées de l'outil lorsqu'on s'en sert là où il pourrait y avoir des fils sous tension et lorsqu'il pourrait entrer en contact avec son propre fil.** En cas de contact avec un fil sous tension, les composantes métalliques à découvert de l'outil deviendraient sous tension et l'utilisateur subirait des secousses électriques.
- **AVERTISSEMENT :** Certains outils électriques, tels que les sableuses, les scies, les meules, les perceuses ou certains autres outils de construction, peuvent produire de la poussière contenant des produits chimiques susceptibles d'entraîner le cancer, des malformations congénitales ou pouvant être nocifs pour le système reproductif. Parmi ces produits chimiques, on retrouve :
  - le plomb dans les peintures à base de plomb,
  - la silice cristalline dans les briques et le ciment et autres produits de maçonnerie,
  - l'arsenic et le chrome dans le bois de sciage ayant subi un traitement chimique (comme l'arséniate de cuivre et de chrome).

Le risque associé à de telles expositions varie selon la fréquence avec laquelle on effectue ces travaux. Pour réduire l'exposition à de tels produits, il faut travailler dans un endroit bien aéré et utiliser le matériel de sécurité approprié, tel un masque anti-poussières spécialement conçu pour filtrer les particules microscopiques.

- **Éviter tout contact prolongé avec la poussière soulevée par cet outil ou autres outils électriques. Porter des vêtements de protection et nettoyer les parties exposées du corps à l'eau savonneuse.** S'assurer de bien se protéger afin d'éviter d'absorber par la bouche, les yeux ou la peau des produits chimiques nocifs.
- **AVERTISSEMENT :** Cet outil peut produire et répandre de la poussière susceptible de causer des dommages sérieux et permanents au système respiratoire. Toujours utiliser un appareil respiratoire anti-poussières approprié approuvé par le NIOSH ou l'OSHA. Diriger les particules dans le sens opposé du visage et du corps.
- **MISE EN GARDE :** porter un dispositif de protection personnel anti-bruit approprié durant l'utilisation. Sous certaines conditions et pendant toute la durée de l'utilisation, le bruit émanant de ce produit pourrait contribuer à la perte d'audition.
- **AVERTISSEMENT :** Ne pas utiliser cet outil pendant des périodes prolongées. Les vibrations causées par l'action de fonctionnement de l'outil peuvent blesser en permanence les doigts, les mains et les bras. Porter des gants pour amortir les vibrations, faire des pauses fréquentes et limiter le temps d'utilisation quotidien de l'outil.

#### ⚠ MESURES DE SÉCURITÉ SPÉCIFIQUES

⚠ **L'étiquette de l'outil peut comporter les symboles suivants.**

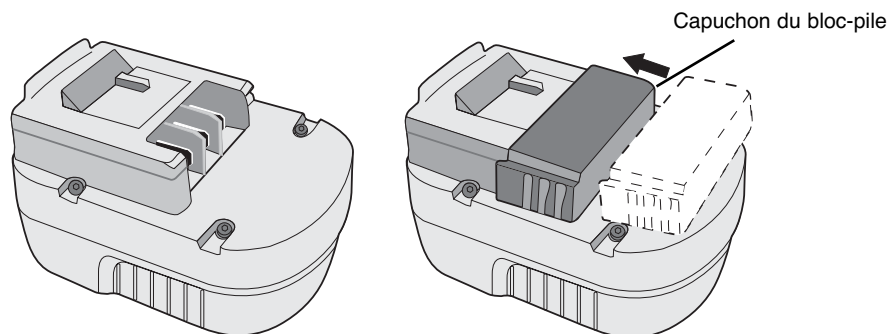
V .....volts A.....ampères



Hz .....	hertz	W .....	watts
min .....	minutes	~ .....	courant alternatif
==== .....	courant continu	no .....	sous vide
☐ .....	Construction de classe II	⊕ .....	borne de mise à la terre
⚠ .....	symbole d'avertissement	...../min .....	minute
🔒 .....	Symbole de verrouillage en position d'arrêt	.....tours ou courses	à la minute
🔒 .....	Symbole de verrouillage en position de marche		
🔓 .....	Symbole de déverrouillage rapide de la position de marche		

### Information concernant le capuchon du bloc-pile

Un capuchon est fourni avec le bloc-pile en vue d'être utilisé chaque fois qu'on retire ce dernier de l'outil ou du chargeur en vue de le ranger ou de le transporter; enlever le capuchon avant de remettre le bloc-pile dans le chargeur ou dans l'outil.



**AVERTISSEMENT** : S'assurer, au moment de ranger ou de transporter un bloc-pile ou une pile, qu'aucun objet métallique n'entre en contact avec leurs bornes à découvert de celui-ci. Par exemple, il faut éviter de placer un bloc-pile ou une pile sans capuchon dans un tablier, une poche, une boîte à outils ou un tiroir (etc.) contenant des objets tels que des clous, des vis ou des clés, car tout contact entre les bornes à découvert et un objet métallique comme une clé, une pièce de monnaie, un outil à main, etc. pourrait causer un incendie. En effet, les règlements américains Hazardous Material Regulations (HMR) du US Department of Transportation interdisent le transport d'un bloc-pile ou d'une pile dans tout moyen de transport commercial ou aérien (que ce soit dans une valise ou le bagage de cabine) SAUF s'ils sont bien protégés contre les courts-circuits. On doit donc s'assurer, lorsqu'on transporte un bloc-pile ou une pile séparément, de bien protéger et isoler les bornes contre tout matériau qui risque d'entrer en contact avec eux et de causer un court-circuit.

### MESURES DE SÉCURITÉ IMPORTANTES

- **CONSERVEZ CES DIRECTIVES.**
- Bien lire toutes les directives et tous les avertissements qui se trouvent sur (1) le chargeur, (2) l'ensemble de piles et (3) l'outil avant d'utiliser le chargeur.
- ⚠ **DANGER** : Les bornes du chargeur sont sous une tension de 120 volts. Ne pas les examiner avec un objet conducteur; cela présente des risques de secousses électriques.
- ⚠ **DANGER** : Ne pas placer dans le chargeur un ensemble de piles craqué ou endommagé; cela présente des risques de secousses électriques.
- ⚠ **MISE EN GARDE** : Ne jamais tenter d'ouvrir un ensemble de piles. Lorsque le boîtier en plastique craque ou se casse, en confier le recyclage à un centre de service.
- ⚠ **AVERTISSEMENT** : Ne laisser aucun liquide s'infiltrer dans le chargeur car cela représente des risques de secousses électriques.
- ⚠ **MISE EN GARDE** : Afin de réduire les risques de blessures, charger seulement des piles rechargeables Black & Decker. Tout autre type de piles peut exploser; ce qui présente des risques de blessures et de dommages.
- Pour faciliter le refroidissement de l'ensemble de piles après s'en être servi, éviter de placer le chargeur ou l'ensemble de piles dans un endroit chaud comme une remise en métal ou une remorque non isolée.
- Protéger le chargeur de la pluie ou de la neige.
- L'utilisation d'un accessoire non recommandé ni vendu par Black & Decker comporte des risques d'incendie, de secousses électriques ou de blessures.
- L'utilisation du chargeur pour tout ensemble de piles autres que les ensembles rechargeables Black & Decker comporte des risques d'incendie et de secousses électriques.
- Pour minimiser les risques de dommages au cordon et à sa fiche, débrancher l'appareil en tirant sur la fiche plutôt que sur le cordon.
- Placer le cordon de sorte qu'on ne puisse pas marcher ni s'accrocher dessus et qu'il ne soit pas autrement sujet aux dommages et aux contraintes.
- Ne pas utiliser de rallonge à moins que cela ne soit absolument nécessaire, car l'usage d'une rallonge ayant une puissance inadéquate pourrait causer des risques d'incendie, de choc électrique ou d'électrocution. Si une rallonge est nécessaire, s'assurer que :
  - les broches de la prise de la rallonge sont de mêmes nombre, taille et forme que celles de la prise du chargeur.
  - la rallonge est correctement câblée et en bonne condition, et que le calibre du fil est suffisant pour l'intensité nominale de courant alternatif du chargeur comme spécifié ci-dessous.

Pour la sécurité de l'utilisateur, utiliser une rallonge du calibre AWG approprié. Plus le calibre est petit, plus la capacité est grande; autrement dit, une rallonge de calibre 16 est plus puissante qu'une rallonge de calibre 18. Lorsqu'on utilise plusieurs rallonges pour obtenir la longueur voulue, s'assurer que chacune d'elles présente les valeurs minimales requises.

#### CALIBRE MINIMAL (AWG) RECOMMANDE DES RALLONGES

LONGUEUR TOTALE DE LA RALLONGE (EN METRES)	7,6	15,2	22,8	30,4	38,1	45,7	53,3
<b>CALIBRE AWG</b>	18	18	16	16	14	14	12

- La ventilation du chargeur se fait par les fentes sur le dessus et le dessous de l'appareil. Ne rien déposer sur le chargeur et ne pas déposer ce dernier sur une surface qui pourrait en bloquer les orifices car cela risque de provoquer la surchauffe de l'appareil. Éloigner le chargeur des sources de chaleur.
- Ne jamais se servir d'un chargeur dont le cordon ou la fiche sont endommagés. Les remplacer immédiatement.
- Ne jamais se servir d'un chargeur qui a encaissé un coup brusque, qui est tombé ou qui est endommagé. Le faire vérifier à un centre de service autorisé.
- Ne jamais démonter le chargeur. N'en confier la réparation ou l'entretien qu'à un centre de service autorisé. Le remontage non conforme du produit comporte des risques d'incendie ou de secousses électriques.
- Le chargeur est conçu pour fonctionner sur une alimentation domestique standard. Ne pas essayer de s'en servir sous toute autre tension.
- Pour minimiser les risques de secousses électriques, débrancher le chargeur avant de le nettoyer. Le risque n'est pas éliminé en enlevant l'ensemble de piles du chargeur.
- NE JAMAIS raccorder deux chargeurs l'un à l'autre.
- NE PAS ranger le produit dans un endroit où la température peut atteindre ou dépasser 40 °C (105 °F) (comme dans une remise métallique en été).
- Ne pas incinérer les piles, car elles peuvent exploser en présence de flammes. Les cellules peuvent subir une fuite légère par suite d'un usage extrême, du chargement ou d'une exposition à certaines températures; cela n'indique pas un problème. Cependant, si le scellant externe est percé et le liquide entre en contact avec la peau, on doit :
  - a. se laver rapidement la partie du corps touchée avec de l'eau savonneuse;
  - b. neutraliser l'effet au moyen d'un acide doux tel que du jus de citron ou du vinaigre;
  - c. si les yeux sont touchés, les rincer à fond avec de l'eau propre pendant au moins 10 minutes et consulter immédiatement un médecin.

**REMARQUE AUX FINS MÉDICALES** : ce liquide contient une solution composée de 25 à 35 % d'hydroxyde de potassium.

### CONSERVER CES MESURES

#### INTRODUCTION

#### LIRE ET COMPRENDRE TOUTES LES INSTRUCTIONS DE CE MANUEL AVANT DE TENTER DE RECHARGER LE BLOC-PILES DE VOTRE APPAREIL.

Ce Chargeur a été conçu pour fonctionner sur 120 volts de courant alternatif, à une puissance de 60 Hz. Ne pas utiliser sur courant continu (CC) ou tout autre voltage. La durée de charge peut prendre de 3 à 6 heures selon le type de bloc-piles et sa condition.

#### MÉTHODE DE CHARGEMENT

1. Brancher le chargeur dans la prise appropriée.

2. Insérer 1 ou 2 piles dans le chargeur (Fig. 1).

**REMARQUE** : La durée de charge est la même pour une ou plusieurs piles.

S'assurer que la pile est insérée à fond dans le chargeur. Le voyant rouge de charge s'allumera indiquant qu'il y a contact entre la pile et le chargeur. Le voyant restera allumé tant que la pile sera dans le chargeur et que le chargeur sera branché dans une prise alimentée en courant. **NE** clignotera pas, **NE** s'éteindra pas ou **NE** changera pas de couleur en fin du cycle de charge.

Sortir le bloc-piles du chargeur et le mettre dans l'outil. **REMARQUE** : Pour sortir le bloc-piles de l'outil, enfoncer le bouton de dégagement situé à l'arrière du bloc-piles (figure 2) et le retirer.

#### BLOC-PILES LAISSE DANS LE CHARGEUR

Le chargeur et son bloc-piles peuvent rester connectés avec le voyant rouge allumé indéfiniment. Le chargeur maintiendra la pile pleinement chargée.

**REMARQUE** : Un bloc-pile perdra graduellement sa charge s'il est laissé hors du chargeur. Si le bloc-pile n'a pas été maintenu en mode de maintenance de charge, il peut être nécessaire de le recharger avant chaque utilisation. Un bloc-pile peut aussi perdre sa charge graduellement s'il est laissé dans un chargeur qui n'est pas branché à une source de courant alternatif appropriée.

#### NOTES IMPORTANTES RELATIVES AU CHARGEMENT

1. Pour optimiser la durée et le rendement de l'ensemble de piles, il est préférable de le charger à des températures variant entre 18 °C et 24 °C (65 °F et 75 °F). NE PAS charger l'ensemble de piles lorsque la température ambiante est inférieure à 4,5 °C (40 °F) ou supérieure à 40,5 °C (105 °F). Cette mesure est importante et aide à prévenir les risques de graves dommages à l'ensemble de piles.
2. Pendant le chargement, l'ensemble de piles et le chargeur peuvent devenir chauds au toucher. Il s'agit d'une situation normale qui ne pose aucun problème.
3. Lorsque l'ensemble de piles n'est pas bien chargé, (1) vérifier l'alimentation de la prise en y branchant une lampe ou un autre appareil, (2) vérifier si la prise est reliée à un interrupteur pour l'éclairage qui met la prise hors circuit lorsqu'on éteint les lumières, (3) déplacer l'ensemble de piles et le chargeur dans une pièce où la température ambiante se situe entre 18 °C et 24 °C (65 °F et 75 °F), (4) si le problème persiste, il faut confier l'outil, l'ensemble de piles et le chargeur au centre de service de la région.
4. Il faut charger l'ensemble de piles lorsqu'il ne fournit plus la puissance nécessaire pour effectuer les tâches avec autant de facilité qu'auparavant. NE PLUS S'EN SERVIR dans ces conditions. Suivre les directives relatives au chargement. On peut également charger en tout temps un ensemble de piles chargé en partie.
5. Les ensembles de piles Black & Decker portant la mention «NiMH» devraient seulement être utilisés avec des chargeurs portant la mention «NiMH» ou «NiCd/NiMH».
6. Dans certaines conditions, lorsque le chargeur est branché, des corps étrangers peuvent court-circuiter les contacts de chargement à découvert. Il faut donc éloigner les creux de chargement du chargeur les corps étrangers de nature conductive, comme la laine d'acier, le papier d'aluminium ou tout autre accumulation de particules métalliques. Toujours débrancher le chargeur lorsqu'il n'y a pas d'ensemble de piles dans le chargeur et avant de le nettoyer.
7. Ne pas immerger le chargeur de pile dans l'eau ou tout autre liquide.

### FONCTIONNEMENT

**AVERTISSEMENT** : toujours porter des lunettes de protection lorsqu'on utilise l'outil.

**REMARQUE** : avant de procéder à la coupe, s'assurer que l'ouvrage soit fermement ancré ou fixé afin de l'empêcher de glisser.

- Déposer doucement la lame et le protège-lame sur le matériau à couper.
- Mettre le moteur en marche et le laisser atteindre sa vitesse maximale avant d'exercer de la pression sur la scie.
- Toujours saisir fermement la scie avec les deux mains durant la coupe (tel qu'illustré à la figure 3) et, dans la mesure du possible, tenir fermement le protège-lame contre l'ouvrage afin d'empêcher la scie de sauter ou de vibrer et d'éviter de la briser.

#### INTERRUPTEUR À GÂCHETTE (FIGURE 4)

Déverrouiller la scie en appuyant sur le bouton illustré à la figure 4, d'un côté ou de l'autre de la scie. Enfoncer l'interrupteur à gâchette pour mettre le moteur en MARCHE, et le relâcher pour l'ARRÊTER; en relâchant l'interrupteur à gâchette, on provoque l'enclenchement automatique du bouton de verrouillage. **REMARQUE** : cette scie ne peut pas être verrouillée en position «marche»; on ne doit donc jamais tenter de bloquer l'interrupteur en cette position par d'autres moyens.

#### LEVIER DE DÉGAGEMENT DE LA BRIDE DE SERRAGE (FIGURE 5)

##### MISE EN GARDE : ARRÊTER L'OUTIL ET RETIRER LA PILE.

*Installation de la lame :*

1. Ouvrir complètement le levier de dégagement de la bride de serrage, tel qu'illustré à la figure 5.
2. Insérer la tige de la lame dans la partie avant de la scie.
3. Fermer le levier de dégagement.

*Retrait de la lame :*

1. Ouvrir complètement le levier de dégagement de la bride de serrage.
2. Retirer la lame.

#### COUPE AU RAS (FIGURE 6)

- La forme compacte du carter du moteur et du protège-lame de la scie alternative permet d'effectuer des coupes près d'un plancher ou d'un coin, ou à tout autre endroit difficile à atteindre.
- Pour profiter au maximum de ces capacités, insérer l'arbre de la lame dans la bride de serrage de cette dernière, en s'assurant de diriger les dents de la lame vers le haut.
- Tourner la scie à l'envers de manière à ce qu'elle soit aussi près que possible de la surface de travail.

#### COUPE DU BOIS (FIGURE 7)

- Avant de procéder, s'assurer que l'ouvrage soit fermement ancré ou fixé afin de l'empêcher de glisser.
- Déposer doucement la lame et le protège-lame sur le matériau à couper.
- Mettre le moteur en marche avant d'exercer de la pression sur la scie.
- Toujours saisir fermement la scie avec les deux mains durant la coupe et, dans la mesure du possible, tenir fermement le protège-lame contre l'ouvrage afin d'empêcher la scie de sauter ou de vibrer et d'éviter de la briser.

#### COUPE DU MÉTAL

- Utiliser une lame à dents fines pour les métaux ferreux et une lame à grosses dents pour les métaux non ferreux.
- Lorsqu'on coupe de la tôle mince, il est préférable d'y fixer un morceau de bois de chaque côté afin d'assurer une coupe précise sans vibrations excessives et d'éviter de déchirer la tôle.
- Éviter de forcer la lame afin de prolonger sa durée de vie et de ne pas briser ce coûteux accessoire.

**REMARQUE** : appliquer une mince couche d'huile ou d'autre liquide de refroidissement le long de la ligne de coupe devant la scie pour faciliter le travail et prolonger la durée de vie de la lame; en présence d'aluminium, on recommande d'utiliser du kérosène.

#### COUPE EFFECTUÉE À PARTIR DE L'INTÉRIEUR DU MATÉRIAU - BOIS SEULEMENT (FIGURE 8)

- Mesurer la surface de coupe et marquer celle-ci clairement au moyen d'un crayon à mine, d'une craie ou d'une pointe à tracer.
- Insérer la lame prévue pour cette coupe dans la bride de serrage et serrer fermement cette dernière.
- Pencher la scie vers l'arrière jusqu'à ce que le dos du protège-lame repose sur la surface de travail.
- Mettre l'outil en marche et laisser la lame atteindre sa vitesse maximale.
- Saisir fermement la poignée et remonter lentement mais sûrement la scie jusqu'à ce que la lame coupe le matériau. Avant de faire avancer la scie le long de la ligne de coupe, s'assurer que la lame ait complètement pénétré le matériau.

**REMARQUE** : lorsqu'il est difficile de voir la lame, se guider au moyen du bord du protège-lame.

#### CONSEILS

- Utiliser seulement des lames aiguisées pour obtenir des coupes plus rapides et précises en évitant de forcer le moteur.
- Lorsqu'on effectue la coupe, toujours s'assurer que le patin repose contre l'ouvrage afin de mieux maîtriser ce dernier et de réduire autant que possible les vibrations.
- On peut se procurer des lames droites ou légèrement angulaires. Lorsqu'on utilise la première pour couper du bois, incliner légèrement la scie par rapport au plan de coupe pour obtenir une coupe supérieure.



- Pour prolonger la durée de vie de la scie, utiliser des lames bi-métalliques dotées d'un support en acier au carbone soudé aux dents en acier à haute vitesse, car elles sont plus souples et ont moins tendance à se briser.

#### Dépannage

Problème	Cause possible	Solution possible
<ul style="list-style-type: none"> <li>• L'appareil refuse de démarrer.</li> </ul>	<ul style="list-style-type: none"> <li>• Mauvaise installation de la batterie.</li> <li>• Pile non chargée.</li> </ul>	<ul style="list-style-type: none"> <li>• Vérifier l'installation de la batterie.</li> <li>• Vérifier les exigences de charge pour la pile.</li> </ul>
<ul style="list-style-type: none"> <li>• La pile ne se charge pas.</li> </ul>	<ul style="list-style-type: none"> <li>• Pile non insérée dans le chargeur.</li> <li>• Chargeur non branché.</li> <li>• Température ambiante trop chaude ou froide.</li> </ul>	<ul style="list-style-type: none"> <li>• Insérer la pile dans le chargeur de sorte que le voyant DEL rouge apparaisse.</li> <li>• Brancher le chargeur dans une prise qui fonctionne. Se reporter à la rubrique « Remarques importantes de chargement » pour plus de renseignements.</li> <li>• Déplacer le chargeur et l'outil à une température ambiante de plus de 4,5 °C (40 °F) ou sous les 40,5 °C (105 °F) 105 degree F (+40,5°C).</li> </ul>

Pour de l'aide avec l'outil, consulter notre site Web [www.blackanddecker.com](http://www.blackanddecker.com) pour l'emplacement du centre de réparation le plus près ou communiquer avec l'assistance BLACK & DECKER au 1-800-544-6986.

#### ENTRETIEN

##### RETIRER LA PILE AVANT D'EFFECTUER LE NETTOYAGE OU L'ENTRETIEN. N'UTILISER QUE DES PIÈCES DE RECHANGE IDENTIQUES.

- Éviter de nettoyer les pièces en plastique au moyen de solvants, lesquels peuvent endommager la plupart d'entre elles. Enlever la saleté, les poussières de charbon, etc. au moyen d'un linge propre.
- Les outils électriques utilisés sur les bateaux, voitures ou autres articles en fibre de verre ont tendance à s'user plus rapidement et peuvent faire l'objet d'une défaillance prématurée, car les éclats et la poudre de fibre de verre sont très abrasifs pour les coussinets, les brosses, les commutateurs, etc. Lorsqu'on utilise l'outil pour couper la fibre de verre, il est extrêmement important de le nettoyer fréquemment au moyen d'un jet d'air sous pression.

#### LUBRIFICATION

##### RETIRER LA PILE AVANT D'EFFECTUER LE NETTOYAGE OU L'ENTRETIEN.

L'outil a été lubrifié en usine et doit être retourné à un centre de service Black & Decker ou à un centre autorisé une fois l'an, pour un nettoyage, une inspection et une lubrification complets. Les outils qui ne sont pas utilisés pendant de longues périodes de temps doivent être lubrifiés avant leur utilisation.

**IMPORTANT** : pour assurer la SÉCURITÉ et la FIABILITÉ de cet outil, toutes les opérations de réparation, d'entretien et de réglage doivent être effectuées par un centre de service autorisé ou qualifié; seules des pièces de rechange identiques doivent être utilisées.

#### ACCESSOIRES

La scie alternative FIRESTORM<sup>MC</sup> FS1800RS / FS2400RS accepte les lames d'une longueur pouvant atteindre 30,4 cm (12 po).

Toujours utiliser la lame la plus courte possible pour la tâche à effectuer, car les lames plus longues ont tendance à se plier ou à s'endommager en cours d'utilisation, et certaines peuvent en outre vibrer ou osciller lorsque la scie n'est plus en contact avec l'ouvrage.

Les accessoires recommandés pour chaque outil sont vendus chez les dépositaires locaux ou les centres de service autorisés. Pour obtenir plus d'information sur les accessoires, composer le 1 800 544-6986.

**AVERTISSEMENT** : l'usage d'un accessoire non recommandé peut présenter un danger.

#### LE SCEAU RBRC<sup>MC\*</sup>

Le sceau RBRC<sup>MC</sup> de la pile au nickel-cadmium indique que Black & Decker défraie le coût du recyclage de la pile à la fin de sa durée utile. Le programme RBRC<sup>MC</sup> offre une solution de rechange pratique à la mise au rebut des piles au nickel-cadmium usées, que ce soit à la poubelle ou dans le système municipal car cette mise au rebut est illégale à certains endroits.

L'organisme RBRC en collaboration avec Black & Decker et d'autres utilisateurs de piles a mis sur pied des programmes aux États-Unis afin de faciliter la collecte des piles au nickel-cadmium usées. Pour aider à préserver l'environnement et à conserver les ressources naturelles, il suffit de retourner les piles au nickel-cadmium usées à un centre de service Black & Decker ou chez le détaillant de la région pour qu'elles soient recyclées. On peut également communiquer avec le centre de recyclage de la région afin de savoir où déposer les piles usées, ou composer le 1 (800) 822-8837.

\*RBRC<sup>MC</sup> est une marque de commerce de l'organisme américain Rechargeable Battery Recycling Corporation.



#### Renseignements relatifs au service

Black & Decker exploite un réseau complet de centres de service et d'ateliers d'entretien autorisés par toute l'Amérique du Nord. Le personnel de tous les centres de service Black & Decker a reçu la formation voulue pour assurer l'entretien efficace et fiable des outils électriques.

Pour obtenir des renseignements d'ordre technique, des conseils relatifs aux réparations ou des pièces de rechange d'origine, communiquer avec le centre de service Black & Decker de la région. On peut trouver l'adresse du centre de service de la région dans l'annuaire des Pages Jaunes à la rubrique «Outils électriques» ou en composant le numéro suivant : 1 (800) 544-6986.

#### Garantie complète de deux ans pour utilisation domestique

Black & Decker garantit le produit pour une période de deux ans contre les vices de matière ou de fabrication. Le produit défectueux sera réparé ou remplacé sans frais conformément à l'une des conditions suivantes.

Pour échanger l'outil, il suffit de le retourner au détaillant (si le détaillant participe au programme d'échange rapide Black & Decker). Le retour doit être effectué dans les délais impartis par la politique de retour du détaillant (habituellement entre 30 et 90 jours suivant la date d'achat). Le détaillant peut exiger une preuve d'achat. Prière de vérifier la politique de retour du détaillant au-delà des délais impartis.

On peut également retourner l'outil (port payé) à un centre de service Black & Decker ou à tout autre atelier d'entretien accrédité pour y être remplacé ou réparé, à notre gré. On peut exiger une preuve d'achat. Les adresses des centres de service Black & Decker se trouvent à la rubrique «Outils électriques» des Pages Jaunes.

La présente garantie ne vaut pas pour les accessoires. Les modalités de la présente garantie donnent des droits légaux spécifiques. L'utilisateur peut également se prévaloir d'autres droits selon l'état ou la province qu'il habite. Pour obtenir de plus amples renseignements, communiquer avec le directeur du centre de service Black & Decker de la région. Le produit n'est pas conçu pour un usage commercial.

#### REMARQUE À L'INTENTION DES ENTREPRENEURS CONCERNANT LA GARANTIE SPÉCIALE

Les produits de marque FIRESTORM<sup>MD</sup> sont des outils haut de gamme destinés aux consommateurs et comportent une garantie pour usage résidentiel seulement. Ces outils sont conçus, fabriqués et mis à l'essai en vue de répondre aux besoins du bricoleur, ou de les dépasser, lorsque ce dernier réalise des projets ou effectue des réparations à l'intérieur ou à l'extérieur de sa résidence. Utilisés correctement, ces outils procurent à l'utilisateur un rendement et une puissance supérieurs qui excèdent de loin la période de garantie de deux ans. Par contre, tout outil utilisé à des fins commerciales ou tout produit de marque FIRESTORM<sup>MD</sup> ou tout autre produit Black & Decker réservé à un usage résidentiel, utilisé dans le cadre d'une activité reliée au travail, n'est pas couvert par la présente garantie.

Imported by / Importé par  
Black & Decker Canada Inc.  
100 Central Ave.  
Brockville (Ontario) K6V 5W6

Voir la rubrique «Outils électriques»  
des Pages Jaunes  
pour le service et les ventes.



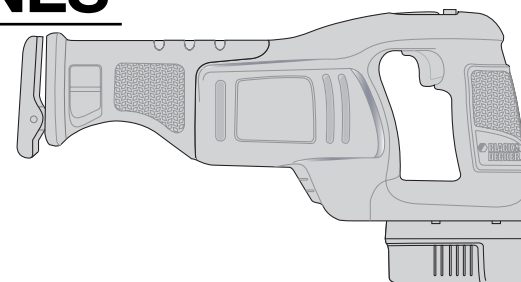
**FIRESTORM**<sup>®</sup>  
HIGH PERFORMANCE TOOLS

OUTILS À HAUT RENDEMENT  
HERRAMIENTAS DE ALTO RENDIMIENTO

BY BLACK & DECKER

## Sierra caladora inalámbrica de 18/24 Voltios

# MANUAL DE INSTRUCCIONES



Números de catálogo  
FS1800RS / FS2400RS

¡GRACIAS POR ELEGIR FIRESTORM! VAYA A

[WWW.FIRESTORMTOOLS.COM/PRODUCTREGISTRATION](http://WWW.FIRESTORMTOOLS.COM/PRODUCTREGISTRATION)

PARA REGISTRAR SU NUEVO PRODUCTO.

ANTES DE DEVOLVER ESTE PRODUCTO POR CUALQUIER MOTIVO, LLAME AL

**(55)5326-7100**

ANTES DE LLAMAR, TENGA EL NÚMERO DE CATÁLOGO Y EL CÓDIGO DE FECHA PREPARADOS. EN

LA MAYORÍA DE LOS CASOS, UN REPRESENTANTE DE BLACK & DECKER PUEDE RESOLVER EL

PROBLEMA POR TELÉFONO. SI DESEA REALIZAR UNA SUGERENCIA O COMENTARIO, LLÁMENOS.

SU OPINIÓN ES FUNDAMENTAL PARA BLACK & DECKER.

## INFORMACIÓN CLAVE QUE DEBE CONOCER:

• Conserve la zapata apoyada firmemente contra la superficie de trabajo.

• Cargue la batería por 9 horas antes de utilizar la herramienta por primera vez.

Para mayor información vea "CÓMO CARGAR LA UNIDAD DE ALIMENTACIÓN".

### CONSERVE ESTE MANUAL PARA FUTURAS CONSULTAS.

### ⚠️ NORMAS GENERALES DE SEGURIDAD – PARA TODAS LAS HERRAMIENTAS QUE FUNCIONAN CON BATERÍA

⚠️ **ADVERTENCIA!** LEA TODAS LAS INSTRUCCIONES HASTA COMPRENDERLAS. No ajustarse a las instrucciones siguientes puede ser causa de choque eléctrico, incendio o lesiones graves.

#### CONSERVE ESTAS INSTRUCCIONES

#### Área de trabajo

- Mantenga el área de trabajo limpia y bien iluminada. Las bancadas desordenadas y las zonas oscuras propician los accidentes.
- No opere herramientas eléctricas en atmósferas explosivas, como en presencia de líquidos, gases o polvos inflamables. Las herramientas eléctricas producen chispas que pueden originar la ignición del polvo o los vapores.
- Mientras opere una herramienta eléctrica, mantenga lejos a los observadores, niños y visitantes. Las distracciones pueden ocasionar que pierda el control.

#### Seguridad eléctrica

- No maltrate el cable. Nunca lleve la herramienta por el cable. Mantenga el cable alejado de las fuentes de calor, el aceite, las orillas afiladas o las piezas en movimiento. Cambie inmediatamente los cables dañados. Los cables dañados pueden provocar un incendio.
- Una herramienta que funciona con baterías integrales o con una batería separada sólo debe recargarse con el cargador de baterías especificado. Un cargador puede ser adecuado para un tipo de baterías y, sin embargo, crear riesgo de incendio cuando se usa con otras.
- Las herramientas que operan con baterías se deben utilizar sólo con baterías diseñadas especialmente. La utilización de otras baterías comporta riesgo de incendio.

#### Seguridad personal

- Al utilizar una herramienta eléctrica, esté atento, concéntrese en lo que hace y aplique el sentido común. No utilice la herramienta si se encuentra fatigado o bajo la influencia de drogas, alcohol o fármacos. Mientras se utilizan herramientas eléctricas, basta un instante de distracción para sufrir lesiones graves.
- Lleve ropa adecuada. No utilice ropa suelta ni joyas. Recójase el cabello largo. Mantenga el cabello, la ropa y los guantes apartados de las piezas en movimiento. Las partes móviles pueden atrapar las prendas de vestir sueltas, las joyas y el cabello. Los orificios de ventilación suelen cubrir piezas en movimiento, por lo que también se deben evitar.
- Evite puestas en marcha accidentales. Antes de insertar la batería asegúrese de que el interruptor esté en posición de bloqueo o apagado. Transportar herramientas con el dedo sobre el interruptor o insertar la batería en la herramienta con el interruptor encendido favorece los accidentes.
- Antes de poner en marcha la herramienta, retire las llaves de ajuste. Una llave que se deje en una pieza giratoria de la herramienta puede provocar lesiones.
- No ponga en peligro su estabilidad. Manténgase siempre bien apoyado y equilibrado. Un buen apoyo y equilibrio permiten controlar mejor la herramienta si se produce algún imprevisto.
- Utilice el equipo de seguridad. Lleve siempre lentes protectores. Cuando sea adecuado, también se debe usar mascarilla antipolvo, zapatos de suela antideslizante, casco o protectores auditivos.

#### Uso y cuidados de la herramienta

- Utilice abrazaderas u otro elemento adecuado para sujetar y apoyar la pieza de trabajo en una plataforma estable. Sujetar la pieza con la mano o contra el cuerpo es inestable y facilita la pérdida de control.
- No fuerce la herramienta. Emplee la herramienta correcta para cada aplicación. La herramienta correcta hace el trabajo mejor y más seguro dentro del rango para el que ha sido diseñada.
- No utilice la herramienta si el interruptor no la enciende y apaga. Cualquier herramienta que no pueda controlarse con el interruptor es peligrosa y se debe reparar.
- Desconecte la batería de la herramienta o ponga el interruptor en posición de bloqueo o de apagado antes de realizar ajustes, cambiar accesorios o guardar la herramienta. Estas medidas de seguridad preventiva reducen el riesgo de poner en marcha la herramienta accidentalmente.
- Cuando no las utilice, guarde las herramientas fuera del alcance de los niños o de cualquier persona no capacitada. Las herramientas son peligrosas en manos de usuarios no capacitados.
- Cuando la unidad de alimentación no esté en uso, manténgala alejada de otros objetos metálicos tales como: sujetapapeles, monedas, llaves, clavos u otros



- objetos metálicos pequeños que podrían generar una conexión entre sus terminales.** Provocar un cortocircuito entre los terminales de la batería puede causar chispas, quemaduras o incendios.
- Cuide las herramientas. Conserve las herramientas de corte afiladas y limpias.** Unas herramientas adecuadamente cuidadas y con los bordes de corte afilados se atascan menos y son más fáciles de controlar.
- Compruebe si las piezas móviles se desalinean o atascan, si hay alguna pieza rota o cualquier otra circunstancia que pueda afectar la operación de la herramienta. Si la herramienta está dañada, hágala reparar antes de usarla.** Muchos accidentes los provocan unas herramientas mal cuidadas.
- Utilice únicamente los accesorios recomendados por el fabricante para su modelo.** Un mismo accesorio puede ser adecuado para una herramienta, pero puede crear un riesgo de lesiones si se usa en otra.

## Servicio

- El servicio a la herramienta sólo debe realizarlo personal cualificado.** El servicio o mantenimiento realizados por personal no calificado puede dar como resultado un riesgo de lesiones.
- Al proceder al mantenimiento de una herramienta, utilice únicamente refacciones idénticas. Siga las instrucciones de la sección "Mantenimiento" de este manual.** La utilización de piezas no autorizadas o no respetar las instrucciones de mantenimiento, puede suponer un peligro de choque eléctrico o de lesiones.

## Normas específicas de seguridad

- Sujete la herramienta por sus empuñaduras aisladas si lleva a cabo una operación en que la herramienta pueda tocar cables eléctricos ocultos o su propio cable.** El contacto con un cable activo provocará que las piezas metálicas de la herramienta se carguen y que el operador reciba una descarga eléctrica.
- Sea en extremo cuidadoso al realizar cortes por encima de su cabeza y ponga especial atención a cables aéreos que pueden estar ocultos. Anticipe el trayecto de caída de las ramas y residuos por adelantado.**
- Mantenga sus manos fuera del área de corte.** Nunca se incline por debajo del material por ningún motivo. Sujete la parte frontal de la sierra asíéndola por el área contorneada de agarre. No inserte los dedos o el pulgar cerca de la hoja de vaivén o el sujetador de la hoja. No establezca la sierra asíéndola por la platina.
- Mantenga las hojas afiladas.** Las hojas sin filo pueden hacer que la sierra se desvíe o se atasque al estar bajo presión.
  - ADVERTENCIA: Parte del polvo generado al lijar, serrar, esmerilar y taladrar, así como al realizar otras actividades del sector de la construcción, contienen productos químicos que pueden producir cáncer, defectos congénitos u otras afecciones reproductivas.** Ejemplos de esas substancias químicas son:
    - plomo procedente de pinturas a base de plomo
    - óxido de silicio cristalino procedente de ladrillos, cemento y otros productos de mampostería, y
    - arsénico y cromo procedentes de madera tratada químicamente (CCA)
- El peligro derivado de estas exposiciones que usted enfrente varía en función de la frecuencia con que se realice este tipo de trabajo. Para reducir la exposición a esas sustancias químicas: trabaje en una zona bien ventilada y llevando equipos de seguridad aprobados, como mascarillas antipolvo especialmente diseñadas para filtrar partículas microscópicas.
- Evite el contacto prolongado con el polvo procedente del lijado, serrado, esmerilado y taladrado eléctricos, así como de otras actividades del sector de la construcción. Lleve ropa protectora y lave con agua y jabón las zonas expuestas. Si permite que el polvo se introduzca en la boca u ojos o quede sobre la piel, puede favorecer la absorción de productos químicos peligrosos.**
  - ADVERTENCIA: El uso de esta herramienta puede generar o dispersar polvo lo cual puede causar lesiones respiratorias serias y permanentes y otros tipos de lesión.** Siempre use protección respiratoria aprobada por NIOSH/OSHA para la exposición al polvo. Dirija las partículas en dirección opuesta a su cara y cuerpo.
  - PRECAUCIÓN: Utilice la protección auditiva apropiada durante el uso.** Bajo ciertas condiciones y según el período de uso, el ruido de este producto puede contribuir a la pérdida de audición.
  - ADVERTENCIA: No opere esta herramienta durante períodos largos de tiempo.** La vibración causada por la acción de operación de esta herramienta puede causar lesiones permanentes a los dedos, las manos y los brazos. Utilice guantes para una mayor amortiguación, tome descansos frecuentes y limite el tiempo de uso diario.

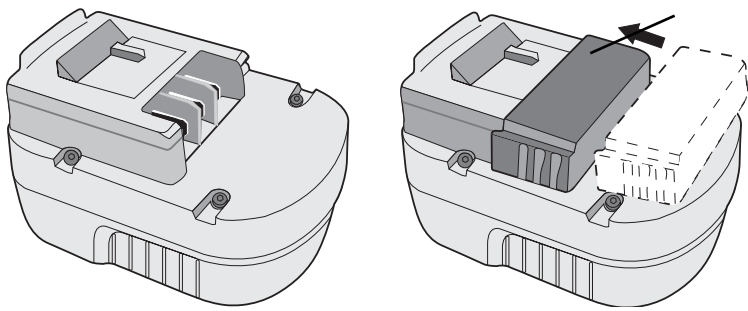
La etiqueta de su herramienta puede incluir los siguientes símbolos.

V .....	volts	A.....	amperes
Hz .....	hertz	W .....	watts
min.....	minutos	~ .....	corriente alterna
==== .....	corriente directa	no.....	velocidad sin carga
☐ .....	construcción clase II	⊕ .....	terminales de conexión a tierra
⚠ .....	símbolo de alerta seguridad	.../min .....	revoluciones o reciprocaciones por minuto
🔒 .....	Símbolo de seguro activado		
🔓 .....	Símbolo de seguro desactivado		
⚡ .....	Símbolo de desaseguramiento rápido		

## Información acerca del protector de la batería

Se han incluido protectores para el almacenaje y transporte de la batería. Estos deben ser usados cuando la batería no esté conectada a la herramienta ni en el cargador. Recuerde quitar el protector antes de poner la batería en el cargador o conectarla a la herramienta.

Protector de la batería



- ADVERTENCIA:** No guarde ni lleve baterías, unidades de alimentación o pilas en un lugar donde sus terminales pudieran entrar en contacto con algún objeto metálico. Por ejemplo, no ponga baterías, unidades de alimentación o pilas dentro de un delantal o bolsillo, una caja de herramientas o de almacenamiento del producto, un cajón, etc., junto con clavos sueltos, tornillos, llaves, etc. si no están debidamente protegidas. El transporte de baterías, unidades de alimentación o pilas puede causar un incendio si sus terminales entran en contacto sin querer con materiales conductores como llaves, monedas, herramientas de mano y otros por el estilo. De hecho, el reglamento sobre materiales peligrosos (HMR) del Ministerio de Transporte de los Estados Unidos prohíbe el transporte de baterías, unidades de alimentación o pilas en cualquier tipo de transporte terrestre o aéreo (es decir, embaladas en maletas y maletines de mano) A NO SER que estén debidamente protegidas de hacer cortocircuito. Por lo tanto, cuando transporte baterías, unidades de alimentación o pilas individuales, asegúrese que sus terminales estén protegidos y debidamente aislados de materiales que pudieran entrar en contacto con ellos y causar un cortocircuito.

## INSTRUCCIONES IMPORTANTES DE SEGURIDAD

- GUARDE ESTAS INSTRUCCIONES.**
- Antes de emplear el cargador, lea todas las instrucciones y las marcas precautorias en (1) el cargador, (2) la batería y (3) el producto que utiliza la batería.
- PELIGRO:** Corriente de 120 volts presente en las terminales de carga. No las una con objetos conductores. Peligro de choque eléctrico o electrocución.
- PELIGRO:** Si la caja de la batería está estrellada o dañada, no la inserte en el cargador. Peligro de choque eléctrico o electrocución.
- PELIGRO:** Nunca intente abrir la batería por ningún motivo. Si la carcasa de plástico se rompe o se estrella, llévela a un centro de servicio para que la reciclen.
- ADVERTENCIA:** No permita que se introduzca ningún líquido en el cargador. Puede originarse un choque eléctrico.
- PRECAUCION:** Cargue únicamente baterías recargables Black & Decker para evitar el

riesgo de lesiones. Baterías de otros tipos pueden estallar, ocasionando lesiones personales y daños.

- Para facilitar el enfriamiento de la batería después de utilizarla, evite colocar el cargador o la batería en ambientes cálidos, como los de un cobertizo de lámina o un remolque sin aislamiento.
- No esponga el cargador a la lluvia o a la nieve.
- Estos cargadores no están diseñados para usos diferentes a la carga de las baterías recargables Black & Decker. Cualquier otro uso puede originar riesgos de incendio, choque eléctrico o electrocución.
- Para reducir los riesgos de daño a la clavija y el cordón eléctrico, cuando desconecte el cargador tire de la clavija, no del cordón.
- Asegúrese de que el cordón eléctrico esté colocado de tal manera que no lo pisen, enreden o le hagan alguna otra cosa que lo tense y le cause daño.
- Trate de no usar cordones de extensión a menos que sea absolutamente necesario. El uso de una extensión inadecuada puede ocasionar incendios, descargas eléctricas o electrocución. Si es necesario utilizar la extensión, asegúrese:
- Que las patas de la clavija de la extensión sean iguales en número, tamaño y forma a los de la clavija del cargador.
- Que los cables de la extensión estén en buenas condiciones eléctricas y que el calibre sea suficiente para soportar la corriente que el cargador necesita, como se describe a continuación.

## CALIBRE AWG MINIMO RECOMENDADO PARA LOS CORDONES DE EXTENSION LONGITUD TOTAL DEL CABLE DE EXTENSION (METROS)

CALIBRE DEL ALAMBRE	7,6	15,2	22,8	30,4	38,1	45,7	53,3
18	18	16	16	14	14	12	

- El cargador se ventila a través de las ranuras de la cubierta. No coloque ningún objeto sobre el cargador o coloque éste en una superficie suave que pueda bloquear las ranuras de ventilación y ocasionen calor interno excesivo. Coloque el cargador en un lugar alejado de cualquier fuente de calor.
- No opere el cargador con el cordón o la clavija dañados — hágalos cambiar de inmediato.
- No utilice el cargador si ha recibido algún golpe, se ha caído o ha recibido algún otro daño, llévelo a un Centro de Servicio autorizado.
- No desarme el cargador, llévelo a un centro de servicio autorizado cuando requiera ser reparado. Ensamblarlo de modo incorrecto puede ocasionar descargas eléctricas, electrocución o incendios.
- El cargador está diseñado para funcionar con corriente doméstica estándar. No intente usarlo con otro voltaje
- Desconecte el cargador antes de intentar limpiarlo para reducir el riesgo de descargas eléctricas. Retirar la batería no reducirá este riesgo.
- NUNCA intente conectar 2 cargadores juntos.
- NO guarde ni utilice la herramienta o la batería en lugares en los que la temperatura pueda alcanzar o exceder los 40°C (105°F) (tales como cobertizos o construcciones de metal en el verano).
- NO incinere las baterías. Pueden explotar en un incendio. Las celdas de la batería pueden tener fugas pequeñas de líquido cuando han sido usadas o cargadas durante períodos demasiado largos, o bajo ciertas condiciones de temperatura. Esto no indica una falla. Sin embargo, si el selló externo ha sido roto y su piel entra en contacto con el líquido:
  - Lave rápidamente con jabón y agua.
  - Neutralice con un ácido suave como jugo de limón o vinagre.
  - Si el líquido de la batería le entra a los ojos, lávelos con agua limpia por al menos 10 minutos y hágase ver por un médico de inmediato. **NOTA MÉDICA:** El líquido es una solución de 25-35% de hidróxido de potasio.

## CONSERVE ESTAS INSTRUCCIONES

## INTRODUCCIÓN

### LEA Y COMPRENDA TODAS LAS INSTRUCCIONES DE ESTE MANUAL ANTES DE INTENTAR CARGAR LA UNIDAD DE ALIMENTACIÓN DE SU HERRAMIENTA.

Su cargador fue diseñado para utilizar corriente alterna estándar de 120 voltios y 60 Hz. No utilice corriente directa ni cualquier otro voltaje. El tiempo de carga es entre 3 y 6 horas, dependiendo del tipo y las condiciones de la unidad de alimentación.

## PROCEDIMIENTO DE CARGA

- Enchufe el cargador en una toma de corriente apropiada.
- Inserte 1 ó 2 baterías en el cargador (Figura 1).
  - NOTA:** El tiempo de carga es el mismo para cargar baterías múltiples. Asegúrese que la batería esté bien puesta en el cargador. La luz roja del "Indicador de carga" se encenderá para indicar que se ha hecho contacto entre la batería y el cargador. La luz se mantendrá encendida mientras la batería de corriente activa. **NO** destellará, ni se apagará o cambiará de color cuando el ciclo de carga se haya completado.

Retire la batería del cargador y colóquela en la herramienta. **NOTA:** Para retirar la batería de la herramienta, oprima el botón de desbloqueo en la parte posterior de la batería (Figura 2) y tírela hacia afuera.

## PERMANENCIA DE LA UNIDAD DE ALIMENTACIÓN EN EL CARGADOR

El cargador y la unidad de alimentación pueden dejarse conectados con la luz roja encendida indefinidamente. El cargador mantendrá la unidad de alimentación fresca y completamente cargada.

**NOTA:** La unidad de alimentación perderá su carga lentamente si se retira del cargador. Si no se ha dejado la unidad de alimentación en carga de mantenimiento, puede que sea necesario recargarla antes de usarla nuevamente. La unidad de alimentación también puede perder lentamente su carga si se deja en un cargador que no está enchufado en una toma de corriente alterna adecuada.

## NOTAS IMPORTANTES SOBRE LA CARGA

- Se puede obtener mejor rendimiento y más larga vida si la batería se carga cuando la temperatura oscila entre 18° y 24°C (65°F - 75°). NO cargue la batería cuando la temperatura sea inferior a +4.5°C (+40°F), o superior a +40.5°C (+105°F). Esto es muy importante y le evitará serios daños a la batería.
- El cargador y la batería pueden sentirse calientes al tacto durante la carga. Esto es una condición normal y no indica ningún problema.
- Si la batería no carga apropiadamente — (1) Verifique la corriente en la toma conectando una lámpara u otro aparato eléctrico, (2) Verifique si la toma está conectada a un interruptor que corte la corriente cuando apaga las luces. (3) Lleve el cargador con la batería a un lugar en donde la temperatura del aire que los rodee esté entre 18° y 24°C (65°F - 75°F). (4) Si persisten los problemas de carga, lleve o envíe la herramienta, la batería y el cargador a su centro de servicio local.
- La batería debe recargarse cuando deja de producir suficiente potencia en trabajos que se hicieron fácilmente con anterioridad. NO CONTINUE usándola en estas condiciones. Siga los procedimientos de carga. Usted puede cargar una batería parcialmente usada cuando lo desee sin que ésta sufra efectos adversos.
- Las baterías Black& Decker que estén etiquetadas "NiMH" deberán utilizarse únicamente con cargadores que estén etiquetados como "NiMH" o "NiCd/NiMH".
- Bajo ciertas condiciones, con el cargador conectado a la toma de corriente, los contactos de carga expuesto dentro del cargador pueden hacer contacto entre sí debido a algún material externo. Los materiales externos de naturaleza conductora tales como alambre de acero, papel aluminio o cualquier tipo de partícula metálica deben conservarse alejados de las cavidades del cargador. Desconecte siempre el cargador de la toma de corriente cuando no tenga cargando una batería. También desconéctelo antes de intentar limpiarlo.
- No sumerja el cargador en agua u otro líquido.

## OPERACIÓN

**ATENCIÓN:** Use siempre protección ocular mientras utiliza esta herramienta eléctrica.

**NOTA:** Antes de cortar cualquier material, asegúrese de que el material está firmemente anclado o prensado para impedir que se deslice.

- Coloque la hoja y la calza suavemente contra la pieza a cortar.
- Prenda el motor de la sierra y espere hasta que tenga velocidad máxima antes de aplicar presión.
- Siempre sujete la sierra firmemente con ambas manos mientras corta, según se ilustra en la Figura 1. Siempre que sea posible, se debe mantener la calza firmemente contra el material a cortar. Esto impedirá que la sierra salte o vibre y minimiza las roturas en la hoja.

## INTERRUPTOR DE DISPARO (FIGURA 2)

Libere el dispositivo de cierre y cámbielo a la posición no-cerrada de cualquiera de los lados de la sierra, como lo ilustra la Fig. 2. Apriete el interruptor de disparo para PRENDER el motor (ON). Soltar el interruptor para APAGAR el motor (OFF). **NOTA:** Esta herramienta no



tiene dispositivo para inmovilizar el interruptor en la posición PRENDIDA (ON), y nunca se debe inmovilizar en esta posición mediante algún otro medio.

### **PALANCA PARA LIBERAR LA HOJA DE SIERRA (FIGURA 3) ATENCIÓN: APAGUE LA HERRAMIENTA Y QUITE LAS BATERÍAS.**

#### **Para instalar la hoja en la sierra:**

1. Abrir la palanca de liberación del sujetador de la hoja de sierra a su máxima posición abierta como se ilustra en la Figura 3.
2. Insertar la espiga de la hoja por la parte delantera.
3. Cerrar la palanca de liberación del sujetador de la hoja.

#### **Para quitar la hoja de la sierra:**

1. Abrir la palanca de liberación del sujetador de la hoja a su máxima posición de abertura.
2. Quitar la hoja.

#### **CORTE ENRASANTE (FIGURA 4)**

- El diseño compacto de la cubierta del motor de la sierra alternativa y la calza pivotante permiten cortar prácticamente al ras de los pisos, esquinas y otras áreas difíciles.
- Para maximizar el corte enrasante, insertar la espiga de la hoja en el sujetador con los dientes de la hoja hacia arriba.
- Invertir la sierra para estar lo más cerca posible de la superficie que se va a trabajar.

#### **CORTE EN MADERA (FIGURA 5)**

- Antes de cortar cualquier tipo de madera, asegúrese de que la pieza esté firmemente anclada para impedir que se deslice.
- Coloque la hoja y la calza suavemente contra la pieza a cortar.
- Prenda el motor de la sierra antes de aplicar presión.
- Siempre sujete la sierra firmemente con ambas manos mientras corta. Siempre que sea posible, se debe mantener la calza firmemente contra el material a cortar. Esto impedirá que la sierra salte o vibre y minimiza las roturas en la hoja.

#### **CORTE EN METAL**

- Use una hoja más fina para metales ferrosos y una más gruesa para materiales no ferrosos.
- Para láminas de calibre delgado es mejor prensarlas con madera a ambos lados de la lámina. Esto asegurará un corte limpio, sin vibración excesiva o desgarre del metal.
- Evite forzar la hoja de corte ya que esto reduce la vida de la misma y ocasiona roturas costosas.

**NOTA:** Es conveniente extender una película delgada de aceite u otro fluido refrigerante a lo largo de la línea de corte para una operación más fácil, además de alargar la vida de la hoja. Para cortar aluminio, es preferible utilizar kerosene.

#### **CORTES TIPO BOLSILLO – MADERA SOLAMENTE (FIGURA 6)**

- Mida el área de la superficie a cortar y marque claramente con un lápiz, tiza o punta trazadora.
- Inserte la hoja para estos cortes en el sujetador y atornille bien.
- Incline la sierra hacia atrás hasta que el borde posterior de la calza descansa sobre la superficie a trabajar.
- Prenda el motor, y espere a que la hoja tenga la velocidad máxima.
- Agarre el mango con firmeza y comience un movimiento hacia arriba con el mango de la sierra, de manera deliberada y lenta.
- La hoja comenzará a penetrar el material. Asegúrese de que la hoja haya atravesado el material completamente antes de continuar con el corte tipo bolsillo.

**NOTA:** En áreas donde la visibilidad de la sierra es limitada, use el borde de la calza como guía.

#### **CONSEJOS**

- Corte solo con hojas afiladas; cortan más limpio, más rápido y significa menos tensión para el motor a la hora de cortar.
- Al cortar, asegúrese siempre de que la calza descansa contra la pieza a trabajar. Esto mejora el control del operador y minimiza la vibración.
- Para que las hojas de sierra duren más, use hojas bimetálicas. El dorso de la hoja en acero al carbono viene soldado a los dientes de acero de alta velocidad, lo cual la hace más flexible y menos propensa a romperse.

#### **Detección de problemas**

<b>Problema</b>	<b>Causa posible</b>	<b>Solución posible</b>
· La unidad no enciende.	· La batería no está bien instalada.  · La batería no carga.	· Verifique la instalación de la batería.  · Verifique los requisitos de carga de la batería.
· La batería no carga.	· La batería no está insertada en el cargador.  · El cargador no está enchufado.  · Temperatura ambiental demasiado caliente o demasiado fría.	· Inserte la batería en el cargador hasta que se encienda la luz roja (LED). · Enchufe el cargador en un tomacorriente que funcione. Para conocer más detalles, consulte "Notas importantes sobre la carga". · Mueva el cargador y la herramienta a un ambiente con una temperatura superior a 4,5 °C (40 °F) o inferior a 40,5 °C (105 °F).

Para conocer la ubicación del centro de mantenimiento más cercano a fin de recibir ayuda con su producto, visite nuestro sitio Web [www.blackanddecker.com](http://www.blackanddecker.com) o llame a la línea de ayuda BLACK & DECKER al **(55)5326-7100**.

#### **MANTENIMIENTO**

##### **QUITELAS BATERÍAS DE LA SIERRA AL EFECTUAR LIMPIEZA U OTRO TIPO DE MANTENIMIENTO. PARA SERVICIO USE ÚNICAMENTE REPUESTOS ORIGINALES.**

- Evite usar solventes cuando limpia las partes en plástico. La mayoría de los plásticos son susceptibles a varios tipos de solventes comerciales y pueden dañarse si se usan. Use paños limpios para quitar el sucio, polvo de carbono, etc.
- Cuando se usan herramientas eléctricas en fibra de vidrio, como barcos, carros de carreras, o en mampostería en seco "drywall", etc., las mismas están sujetas a desgaste acelerado y posiblemente falla prematura, ya que las astillas y las amoladuras de la fibra de vidrio y el polvo del "drywall" actúan en forma altamente abrasiva en los cojinetes, escobillas, barras colectoras, etc. Cuando se usa la herramienta en fibra de vidrio o mampostería seca, es extremadamente importante limpiar la herramienta frecuentemente mediante un dispositivo de chorro de aire.

#### **LUBRICACIÓN**

##### **QUITELAS BATERÍAS DE LA SIERRA AL EFECTUAR LIMPIEZA U OTRO TIPO DE MANTENIMIENTO**

La herramienta viene perfectamente lubricada desde fábrica. Lleve su herramienta a un centro de servicio Black & Decker o un centro de servicio autorizado para una limpieza y lubricación completa una vez por año. Las herramientas "fuera de servicio" por mucho tiempo, deberán relubrificarse antes de volverlas a utilizar.

**IMPORTANTE:** Para garantizar la SEGURIDAD y FIABILIDAD del producto, toda reparación, mantenimiento y ajuste debe efectuarse en los centros de servicio autorizados u otras organizaciones de servicio calificados, utilizando siempre para ello repuestos originales.

#### **ACCESORIOS**

La sierra alternativa FS1800RS / FS2400RS FIRESTORMTM acepta hojas de hasta 12 pulgadas de largo. Use siempre la hoja más corta indicada para su proyecto. Las hojas más largas son más susceptibles a doblarse o dañarse durante la operación. Algunas de las hojas más largas podrían vibrar o temblar si la sierra no se mantiene en contacto con la pieza que se está trabajando.

Los accesorios que se recomiendan usar con su herramienta están disponibles en su centro de servicio local o centro de servicio autorizado. Si necesita ayuda para obtener un accesorio, favor llamar al: **(55) 5326-7100**.

⚠ **ADVERTENCIA:** Puede ser peligroso usar cualquier accesorio no recomendado.

#### **EL SELLO RBRC™**

El sello RBRC™ en las baterías de níquel-cadmio indica que Black & Decker participa voluntariamente en un programa industrial para recolectar y reciclar estas baterías al término de su vida útil, cuando se retiran de servicio dentro de los Estados Unidos. El programa RBRC™ proporciona una conveniente alternativa para el depósito en los lotes de basura municipales de las baterías de níquel-cadmio desgastadas, hecho que es ilegal en algunas regiones.



Los pagos de Black & Decker a RBRC™ hacen más sencillo para usted deshacerse de sus baterías desgastadas con los distribuidores de baterías de níquel-cadmio de su localidad, o en los centros de servicio autorizado Black & Decker. También puede comunicarse al centro de reciclaje de su localidad para que le informen de los lugares a los que puede regresar las baterías desgastadas. La entrada de Black & Decker a este programa es parte de su compromiso para proteger nuestro medio ambiente y conservar los recursos naturales.

#### **INFORMACIÓN DE SERVICIO**

Black & Decker ofrece una red completa de centros de servicio propiedad de la compañía y franquiciados a través de toda Norteamérica. Todos los centros de servicio Black & Decker cuentan con personal capacitado para proporcionar el servicio a herramientas más eficiente y confiable.

Siempre que necesite consejo técnico, reparaciones o partes de repuesto genuinas, comuníquese con el centro Black & Decker más cercano a usted.

Para encontrar su centro de servicio local, consulte la sección amarilla bajo "Herramientas eléctricas", o llame al: **(55) 5326-7100**.

#### **GARANTÍA PARA USO DOMÉSTICO POR DOS AÑOS COMPLETOS**

Black & Decker (U.S.) garantiza este producto por dos años completos contra cualquier falla originada por materiales o mano de obra defectuosos. El producto defectuoso será reemplazado o reparado sin cargo alguno en cualquiera de las siguientes dos maneras:

La primera, que resulta únicamente en cambios, es regresar el producto al vendedor al que se compró (en la suposición que es un distribuidor participante). Las devoluciones deberán hacerse dentro del tiempo estipulado por la política de cambios del distribuidor (usualmente de 30 a 90 días después de la venta). Se puede requerir prueba de compra. Por favor verifique con el vendedor las políticas específicas de devolución relacionadas a las devoluciones en tiempo posterior al estipulado para cambios.

La segunda opción es llevar o enviar el producto (con porte pagado) a los centros de servicio Black & Decker propios o autorizados, para que la reparamos o reemplacemos a nuestra opción. Se puede requerir prueba de compra. Los centros de servicio Black & Decker propios y autorizados están enlistados bajo "Herramientas eléctricas" en la sección amarilla del directorio telefónico.

Esta garantía no se aplica a los accesorios. Esta garantía le otorga derechos legales específicos, y usted puede tener otros que varíen de estado a estado. Si tiene usted cualquier pregunta, comuníquese con el gerente del centro de servicio Black & Decker más cercano. Este producto no está destinado a uso comercial.

#### **Nota especial de GARANTÍA para Contratistas:**

Los productos de marca FIRESTORM™ se ofrecen como herramientas de calidad superior para uso doméstico y llevan una GARANTÍA PARA USO DOMÉSTICO.

Estas herramientas son diseñadas, fabricadas y probadas para satisfacer o sobrepasar las necesidades del bricolero en la ejecución de proyectos y reparaciones en su casa y sus alrededores. El uso apropiado de esta herramienta le dará al dueño de casa una potencia y un desempeño superiores que durarán mucho más que la garantía de dos años. Sin embargo, si utiliza herramientas para su trabajo y usa productos de marca FIRESTORM™ o cualquiera de las herramientas para uso doméstico Black & Decker EN SU LUGAR DE TRABAJO, debería saber que NO PODRÁ SER CUBIERTO BAJO NUESTRA GARANTÍA.

#### **ESPECIFICACIONES**

Cargador: 120 V AC, 60Hz, 25W Salida: 2X, 21,75 VDC @ 210mA

#### **Para reparación y servicio de sus herramientas eléctricas, favor de dirigirse al Centro de Servicio más cercano:**

##### **CULIACAN, SIN**

Av. Nicolás Bravo #1063 Sur  
(667) 7 12 42 11  
Col. Industrial Bravo

##### **GUADALAJARA, JAL**

Av. La Paz #1779  
(33) 3825 6978  
Col. Americana Sector Juarez

##### **MEXICO, D.F.**

Eje Central Lázaro Cardenas  
No. 18  
(55) 5588 9377  
Local D, Col. Obrera

##### **MERIDA, YUC**

Calle 63 #459-A  
(999) 928 5038  
Col. Centro

##### **MONTERREY, N.L.**

Av. Francisco I. Madero  
No.831  
(81) 8375 2313  
Col. Centro

##### **PUEBLA, PUE**

17 Norte #205  
(222) 246 3714  
Col. Centro

##### **QUERETARO, QRO**

Av. Madero 139 Pte.  
(442) 214 1660  
Col. Centro

##### **SAN LUIS POTOSI, SLP**

Av. Universidad 1525  
(444) 814 2383  
Col. San Luis

##### **TORREON, COAH**

Blvd. Independencia, 96 Pte.  
(871) 716 5265  
Col. Centro

##### **VERACRUZ, VER**

Prolongación Díaz Mirón #4280  
(229)921 7016  
Col. Remes

##### **VILLAHERMOSA, TAB**

Constitución 516-A  
(993) 312 5111  
Col. Centro

**PARA OTRAS LOCALIDADES LLAME AL: (55) 5326 7100**

**Vea "Herramientas eléctricas (Tools-Electric)" – Páginas amarillas – para Servicio y ventas**



BLACK & DECKER S.A. DE C.V.  
BOSQUES DE CIDROS ACCESO RADIATAS NO. 42  
COL. BOSQUES DE LAS LOMAS.  
05120 MÉXICO, D.F.  
TEL. 55-5326-7100