

**FIRESTORM**<sup>®</sup>  
HIGH PERFORMANCE TOOLS

OUTILS À HAUT RENDEMENT  
HERRAMIENTAS DE ALTO RENDIMIENTO

BY **BLACK & DECKER**

**3/8" (10MM) AND 1/2" (13MM)  
DRILLS AND HAMMER DRILLS**

# INSTRUCTION MANUAL

## Catalog Numbers

FS6000FD  
FS6500HD  
FS7000D  
FS8000HD



Catalog Number FS7000D Shown

THANK YOU FOR CHOOSING FIRESTORM! GO TO  
[WWW.FIRESTORMTOOLS.COM/PRODUCTREGISTRATION](http://WWW.FIRESTORMTOOLS.COM/PRODUCTREGISTRATION)  
TO REGISTER YOUR NEW PRODUCT.

**BEFORE RETURNING THIS PRODUCT  
FOR ANY REASON PLEASE CALL  
1-800-544-6986**

BEFORE YOU CALL, HAVE THE CATALOG No. AND DATE CODE AVAILABLE. IN MOST CASES, A  
**BLACK & DECKER** REPRESENTATIVE CAN RESOLVE THE PROBLEM OVER THE PHONE. IF YOU HAVE  
A SUGGESTION OR COMMENT, GIVE US A CALL. YOUR FEEDBACK IS VITAL TO BLACK & DECKER.

**SAVE THIS MANUAL FOR FUTURE REFERENCE.**

**VEA EL ESPAÑOL EN LA CONTRAPORTADA.**

INSTRUCTIVO DE OPERACIÓN, CENTROS DE SERVICIO Y PÓLIZA DE GARANTÍA.  
**ADVERTENCIA:** LÉASE ESTE INSTRUCTIVO ANTES DE USAR EL PRODUCTO.

## General Safety Rules

**⚠WARNING! Read all instructions.** Failure to follow all instructions listed below may result in electric shock, fire and/or serious injury. The term “power tool” in all of the warnings listed below refers to your mains-operated (corded) power tool or battery-operated (cordless) power tool.

### SAVE THESE INSTRUCTIONS

#### 1) Work area safety

- a) **Keep work area clean and well lit.** *Cluttered or dark areas invite accidents.*
- b) **Do not operate power tools in explosive atmospheres, such as in the presence of flammable liquids, gases or dust.** *Power tools create sparks which may ignite the dust or fumes.*
- c) **Keep children and bystanders away while operating a power tool.** *Distractions can cause you to lose control*

#### 2) Electrical safety

- a) **Power tool plugs must match the outlet. Never modify the plug in any way. Do not use any adapter plugs with earthed (grounded) power tools.** *Unmodified plugs and matching outlets will reduce risk of electric shock*
- b) **Avoid body contact with earthed or grounded surfaces such as pipes, radiators, ranges and refrigerators.** *There is an increased risk of electric shock if your body is earthed or grounded.*
- c) **Do not expose power tools to rain or wet conditions.** *Water entering a power tool will increase the risk of electric shock*
- d) **Do not abuse the cord. Never use the cord for carrying, pulling or unplugging the power tool. Keep cord away from heat, oil, sharp edges or moving parts.** *Damaged or entangled cords increase the risk of electric shock.*
- e) **When operating a power tool outdoors, use an extension cord suitable for outdoor use.** *Use of a cord suitable for outdoor use reduces the risk of electric shock.*

#### 3) Personal safety

- a) **Stay alert, watch what you are doing and use common sense when operating a power tool. Do not use a power tool while you are tired or under the influence of drugs, alcohol or medication.** *A moment of inattention while operating power tool may result in serious personal injury.*
- b) **Use safety equipment. Always wear eye protection.** *Safety equipment such as dust mask, non-skid safety shoes, hard hat, or hearing protection used for appropriate conditions will reduce personal injuries.*
- c) **Avoid accidental starting. Ensure the switch is in the off-position before plugging in.** *Carrying power tools with your finger on the switch or plugging in power tools that have the switch on invites accidents.*
- d) **Remove any adjusting key or wrench before turning the power tool on.** *A wrench or a key left attached to a rotating part of the power tool may result in personal injury.*
- e) **Do not overreach. Keep proper footing and balance at all times.** *This enables better control of the power tool in unexpected situations.*
- f) **Dress properly. Do not wear loose clothing or jewelry. Keep your hair, clothing and gloves away from moving parts.** *Loose clothes, jewelry or long hair can be caught in moving parts. Air vents often cover moving parts and should also be avoided.*
- g) **If devices are provided for the connection of dust extraction and collection facilities, ensure these are connected and properly used.** *Use of these devices can reduce dust-related hazards.*

#### 4) Power tool use and care

- a) **Do not force the power tool. Use the correct power tool for your application.** *The correct power tool will do the job better and safer at the rate for which it was designed.*

- b) **Do not use the power tool if the switch does not turn it on and off.** Any power tool that cannot be controlled with the switch is dangerous and must be repaired.
- c) **Disconnect the plug from the power source and/or the battery pack from the power tool before making any adjustments, changing accessories, or storing power tools.** Such preventive safety measures reduce the risk of starting the power tool accidentally.
- d) **Store idle power tools out of the reach of children and do not allow persons unfamiliar with the power tool or these instructions to operate the power tool.** Power tools are dangerous in the hands of untrained users.
- e) **Maintain power tools. Check for misalignment or binding of moving parts, breakage of parts and any other condition that may affect the power tools operation. If damaged, have the power tool repaired before use.** Many accidents are caused by poorly maintained power tools.
- f) **Keep cutting tools sharp and clean.** Properly maintained cutting tools with sharp cutting edges are less likely to bind and are easier to control.
- g) **Use the power tool, accessories and tool bits etc., in accordance with these instructions and in the manner intended for the particular type of power tool, taking into account the working conditions and the work to be performed.** Use of the power tool for operations different from those intended could result in a hazardous situation.

#### 5) Service

- a) **Have your power tool serviced by a qualified repair person using only identical replacement parts.** This will ensure that the safety of the power tool is maintained.

#### SPECIFIC SAFETY RULES

- a) **Hold tool by insulated gripping surfaces when performing an operation where the cutting tool may contact hidden wiring or its own cord.** Contact with a "live" wire will make exposed metal parts of the tool "live" and shock the operator.
- b) **Use clamps or another practical way to secure and support the work piece to a stable platform.** Holding the work by hand or against your body leaves it unstable and may lead to loss of control.
- c) **Wear ear protectors with impact drills.** Exposure to noise can cause hearing loss.
- d) **Use auxiliary handles supplied with the tool.** Loss of control can cause personal injury.
- e) **Hammer bits and tools get hot during operation.** Wear gloves when touching them.

**⚠ WARNING: ALWAYS use safety glasses. Everyday eye glasses are NOT safety glasses. Also use face or dust mask if cutting operation is dusty. ALWAYS WEAR CERTIFIED SAFETY EQUIPMENT:**

- ANSI Z87.1 eye protection (CAN/CSA Z94.3)
- ANSI S12.6 (S3.19) hearing protection
- NIOSH/OSHA/MSHA respiratory protection

**⚠ WARNING: Some dust created by power sanding, sawing, grinding, drilling, and other construction activities contains chemicals known to cause cancer, birth defects or other reproductive harm. Some examples of these chemicals are:**

- lead from lead-based paints,
- crystalline silica from bricks and cement and other masonry products, and
- arsenic and chromium from chemically-treated lumber (CCA).

Your risk from these exposures varies, depending on how often you do this type of work. To reduce your exposure to these chemicals: work in a well ventilated area, and work with approved safety equipment, such as those dust masks that are specially designed to filter out microscopic particles.

• **Avoid prolonged contact with dust from power sanding, sawing, grinding, drilling, and other construction activities. Wear protective clothing and wash exposed areas with soap and water.** Allowing dust to get into your mouth, eyes, or lay on the skin may promote absorption of harmful chemicals.

**⚠ WARNING: Use of this tool can generate and/or disperse dust, which may cause serious and permanent respiratory or other injury.** Always use NIOSH/OSHA approved respiratory protection appropriate for the dust exposure. Direct particles away from face and body.

The label on your tool may include the following symbols.

- |            |                       |                      |  |
|------------|-----------------------|----------------------|--|
| V .....    | volts                 | A.....               | amperes                                  |
| Hz .....   | hertz                 | W .....              | watts                                    |
| min.....   | minutes               | ~ .....              | alternating current                      |
| ==== ..... | direct current        | n <sub>0</sub> ..... | no load speed                            |
| □ .....    | Class II Construction | ⊕ .....              | earthing terminal                        |
| ⚠ .....    | safety alert symbol   | .../min .....        | revolutions or reciprocations per minute |
- bpm.....beats per minute

**Extension Cords**

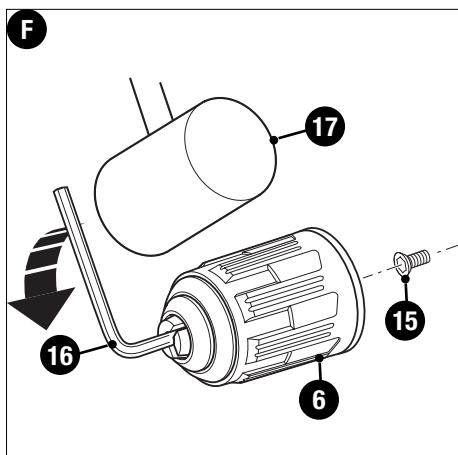
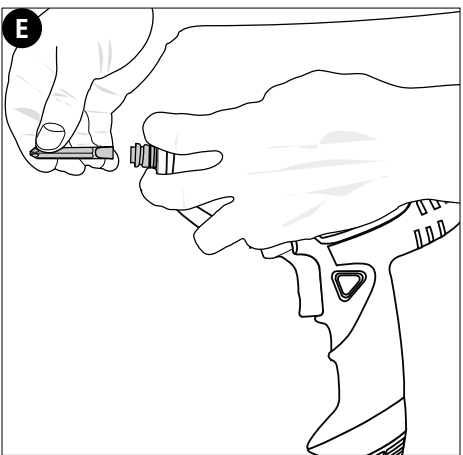
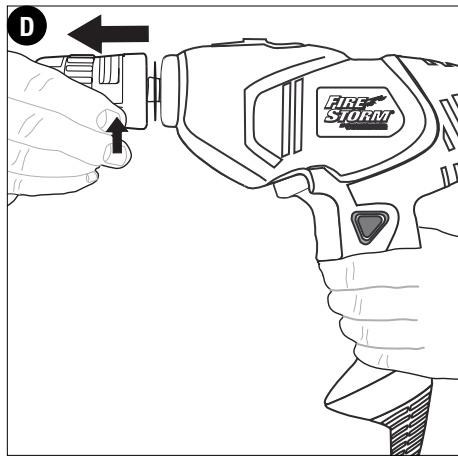
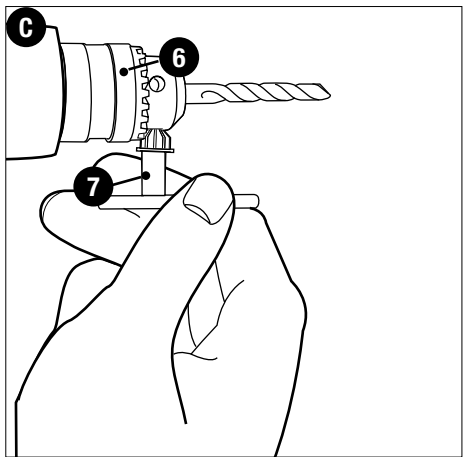
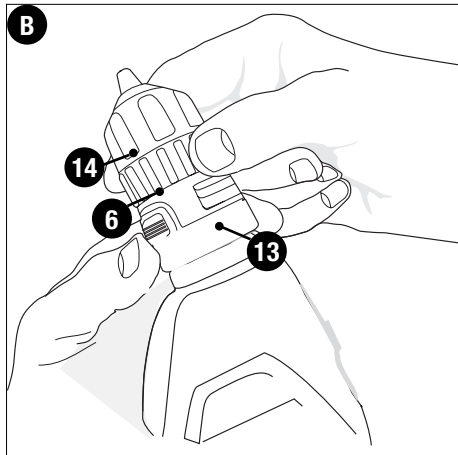
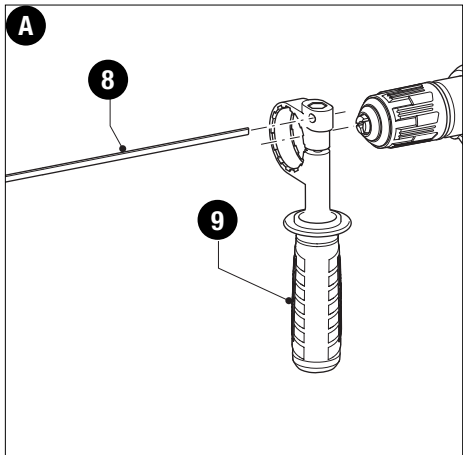
When using an extension cord, be sure to use one heavy enough to carry the current your product will draw. An undersized cord will cause a drop in line voltage resulting in loss of power and overheating. The following table shows the correct size to use depending on cord length and nameplate ampere rating. If in doubt, use the next heavier gage. The smaller the gage number, the heavier the cord.

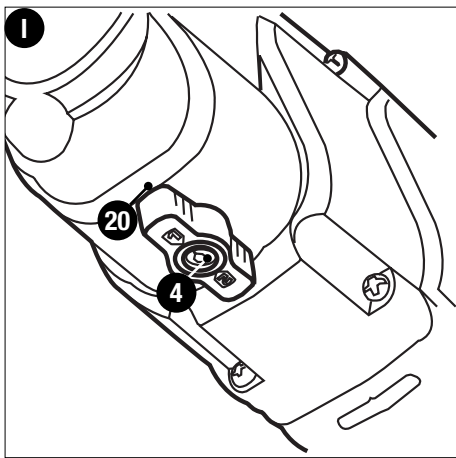
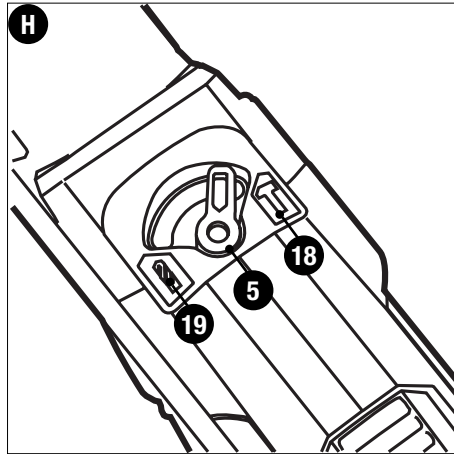
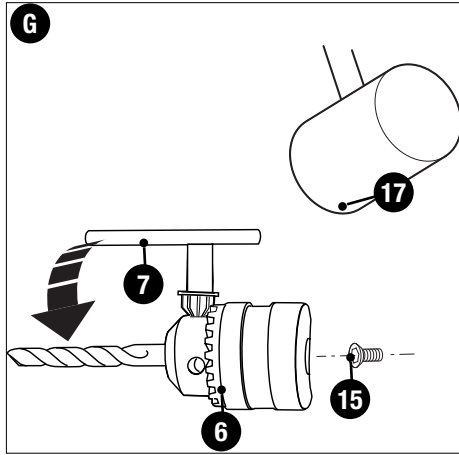
Volts	Minimum Gage for Cord Sets			
	Total Length of Cord in Feet			
120V	0-25	26-50	51-100	101-150
240V	0-50	51-100	101-200	201-300
Ampere Rating		American Wire Gage		
More Than	Not more Than			
0 - 6	18	16	16	14
6 - 10	18	16	14	12
10 - 12	16	16	14	12
12 - 16	14	12	Not Recommended	

**FUNCTIONAL DESCRIPTION**

1. Variable speed switch
2. Lock-on button
3. Forward/reverse slider
4. Two-gear selector
5. Drilling mode selector
6. Chuck
7. Chuck key
8. Depth stop
9. Side handle
10. Belt clip
11. Fast drive remov. chuck
12. Bit storage







### ⚠ Safety Warnings and Instructions: Drills

- ⚠ **WARNING: Shock hazard. When drilling or driving into walls, floors or wherever live electrical wires may be encountered, DO NOT TOUCH ANY METAL PARTS OF THE TOOL! Hold the tool only by the plastic handle(s) to prevent shock.**
- Do not lock the tool ON when drilling by hand. Refer to Operating Instructions-Switch.
- **Hold drill firmly with both hands to control the twisting action of the drill. If your drill is equipped with a side handle, always use the side handle.**
- ⚠ **WARNING:** Drill may stall (if overloaded or improperly used) causing a twist. Always expect the stall. Grip the drill firmly to control the twisting action and prevent loss of control which could cause personal injury. If a stall does occur, release the trigger immediately and determine the reason for the stall before re-starting.
- Always unplug the drill when attaching or removing accessories. When attaching accessories in the drill chuck, it is important to securely tighten the chuck using all three holes to prevent slippage. When using a keyless chuck, hand tighten firmly.

#### Motor

Be sure your power supply agrees with nameplate marking. 120 Volts AC only means your drill will operate on standard 60 Hz household power. Do not operate AC tools on DC. A rating of 120 volts AC/DC means that your tool will operate on standard 60 Hz AC or DC power. This information is printed on the nameplate. Lower voltage will cause loss of power and can result in over-heating. All Black & Decker tools are factory-tested; if this tool does not operate, check the power supply.

## Assembly

**⚠ WARNING:** To reduce the risk of injury, before assembly, make sure that the tool is switched off and unplugged.

### Attaching the side handle - FS6500HD, FS7000D, FS8000HD (fig. A)

If your drill is equipped with a side handle, it must be installed properly to control the drill

- Turn the grip counterclockwise until you can slide the side handle (9) onto the front of the tool as shown.
- Rotate the side handle into the desired position.
- Insert the depth stop (8) into the mounting hole as shown (FS6500HD, FS8000HD).
- Set the drilling depth as described under "Setting the Drilling Depth" (FS6500HD, FS8000HD).
- Tighten the side handle by turning the grip clockwise.

### Inserting a drill bit or other accessory (fig. B & C)

**⚠ WARNING:** Do not attempt to tighten drill bits (or any other accessory) by gripping the front part of the chuck and turning the tool on. *Damage to the chuck and personal injury may occur when changing accessories.*

**⚠ WARNING:** Always ensure the bit is secure before starting the tool. *A loose bit may eject from tool causing possible personal injury.*

#### Keyless chuck (FS6000FD with Fast Drive) (fig. B)

- Open the chuck (6) by grasping the rear half (13) with one hand and use your other hand to rotate the front sleeve (14) counterclockwise.
- Insert the accessory shaft into the chuck to about 3/4" (19 mm) depth, centered in the jaws.
- Tighten securely by holding the rear half of the chuck and rotating the front sleeve in the clockwise direction as viewed from the chuck end.

#### Keyless chuck with spindle lock (FS6500HD, FS8000HD)

This tool is equipped with a feature that automatically locks the spindle when the tool is not running. This feature is a normal condition which allows for tightening or loosening of the chuck with one hand while holding the drill with the other.

- Open the chuck (6) by turning the sleeve (13) counterclockwise.
- Insert the accessory shaft into the chuck to about 3/4" (19 mm) depth, centered in the jaws.
- Tighten securely by turning the sleeve clockwise as viewed from the chuck end.

#### Chuck and key (FS7000D) (fig. C)

- Open the chuck (6) by turning the collar counterclockwise (when viewed from the chuck end).
- Insert the accessory shaft into the chuck to about 3/4" (19 mm) depth, centered in the jaws.
- Tighten chuck collar by hand. Place chuck key (7) into each of the three holes and securely tighten in a clockwise direction.

**NOTE:** Tighten chuck with all three holes to prevent slippage.

### Removing and attaching the chuck (fig. D, E, F, G)

#### Fast Drive Bit Change System (FS6000FD)

A unique feature of the FS6000FD is the ability to remove the chuck quickly and easily. This allows for a drill bit to be in the keyless chuck, while another accessory such as a screwdriver bit, can be inserted into the Fast Drive hex shaft at the same time.

To remove the chuck:

1. Grasp the drill and depress the two orange buttons on the chuck collar as shown in **figure D**.
2. With the buttons depressed, pull straight out.

To replace the chuck:

1. Push the Fast Drive chuck straight on with a slight twisting motion until you hear it click into place.

To insert a screwdriver bit into the Fast Drive hex shaft, push the bit in until you hear it click into place. To remove the bit, hold the drill as shown in **figure E**. Push in evenly on the spring loaded disc with two fingers and pull the bit straight out.

#### Keyless chuck (FS6500HD, FS8000HD) (fig. F)

- Open the chuck (6) as far as possible.

- Remove the chuck retaining screw (15), located in the chuck, by turning it clockwise using a screwdriver (lefthand thread).
- Tighten an Allen key (16) of 1/4" or greater size (not supplied) into the chuck and strike it with a soft hammer (17) in a clockwise direction as shown
- Remove the Allen key.
- Remove the chuck by turning it counterclockwise.
- To attach the chuck, screw it onto the spindle and secure it with the chuck retaining screw.

#### Keyed chuck (FS7000D) (fig. G)

**NOTE:** Before attempting to remove chuck, shift the drill into the drilling mode (not hammer, if so equipped).

- Place chuck key (7) in any one of the three holes in the chuck (6).
- Using a soft hammer (17), strike the key in a clockwise direction. This will loosen the screw (15) inside the chuck.
- Open chuck jaws fully and remove the chuck retaining screw, located in the chuck, by turning it clockwise using a screwdriver (lefthand thread).
- Place key in chuck. Using a soft hammer (17), strike key sharply in a counterclockwise direction.
- Remove the chuck by turning it counterclockwise.
- To attach the chuck, screw it onto the spindle and secure it with the chuck retaining screw.

#### Belt clip (FS6000FD, FS7000D)

**⚠ WARNING:** When using the belt clip (10) to transport the tool, do not leave an accessory in the chuck.

### Operating Instructions

**⚠ WARNING:** To reduce the risk of serious personal injury, read, understand and follow all safety warnings and instructions prior to using tool.

**⚠ WARNING:** It is important to support the work properly and to hold the drill firmly to prevent loss of control which could cause personal injury. If you have any questions on how to properly operate tool, call: **1-800-544-6986**.

**⚠ WARNING:** Do not attempt to tighten drill bits (or any other accessory) by gripping the front part of the chuck and turning the tool on. Damage to the chuck and personal injury may occur when changing accessories.

**⚠ WARNING:** To reduce the risk of injury, always unplug drill from power supply before making any adjustments or changing accessories.

**⚠ WARNING:** To reduce the risk of injury, let the tool work at its own pace. Don't overload.

#### Selecting the direction of rotation (FS6000FD, FS6500HD)

For drilling and for tightening screws, use forward (clockwise) rotation. For loosening screws or removing a jammed drill bit, use reverse (counterclockwise) rotation.

Note: The direction of rotation is also depicted by an arrow on the drill housing.

**⚠ WARNING:** Never change the direction of rotation while the motor is running.

- To select forward rotation, push the forward/reverse slider (3) to the right (when viewed from the chuck end).
- To select reverse rotation, push the forward/reverse slider (3) to the left (when viewed from the chuck end).

#### Selecting the direction of rotation (FS7000D, FS8000HD)

For drilling and for tightening screws, use forward (clockwise) rotation. For loosening screws or removing a jammed drill bit, use reverse (counterclockwise) rotation.

**⚠ WARNING:** Never change the direction of rotation while the motor is running.

- To select forward rotation, push the forward/reverse slider (3) to the left (when viewed from the chuck end).
- To select reverse rotation, push the forward/reverse slider (3) to the right (when viewed from the chuck end).

Note: The direction of rotation is also depicted by an arrow on the drill housing.

**⚠ WARNING:** Never change the direction of rotation while the motor is running.

#### Selecting the drilling mode (FS6500HD, FS8000HD) (fig. H)

- For drilling in masonry, set the drilling mode selector (5) to the "hammer symbol" (18) position.



- For drilling in other materials and for screwdriving, set the drilling mode selector (5) to the “drill symbol” (19) position.

### Two-gear selector (FS8000HD) (fig. I)

- For drilling in steel and for screwdriving applications, turn the two-gear selector (4) into position 1 by aligning the number with the mark on the housing (20) (1st gear). Also when using larger diameter bits in wood turn the two gear selector into position 1.
- For drilling in materials other than steel and when using smaller diameter bits, turn the two-gear selector (4) into position 2 by aligning the number with mark on the housing (20) (2nd gear).

### Setting the drilling depth (FS6500HD, FS8000HD)

- Slacken the side handle (9) by turning the grip counterclockwise.
- Set the depth stop (8) to the desired position. The maximum drilling depth is equal to the distance between the tip of the drill bit and the front end of the depth stop.
- Tighten the side handle by turning the grip clockwise.

### Switching on and off

- To switch the tool on, press the variable speed switch (1). The tool speed depends on how far you press the switch.
- For continuous operation, press the lock-on button (2) and release the variable speed switch. This option is available only at full speed.
- To switch the tool off, release the variable speed switch. To switch the tool off when in continuous operation, press the variable speed switch once more and release it.

**⚠ WARNING:** The drill should only be locked ON when it is held stationary in a drill press stand or other means; NOT BY HAND! Never unplug the tool with the locking feature engaged. To do so will cause the tool to start immediately the next time it is plugged in.

### Drilling

- Always unplug the drill when attaching or removing accessories. When attaching accessories in the drill chuck, it is important to securely tighten the chuck using all three holes to prevent slippage. When using a keyless chuck, hand tighten firmly.
- Use sharp drill bits only.
- Support and secure work properly, as instructed in the Safety Instructions.
- Use appropriate and required safety equipment, as instructed in the safety instructions.
- Secure and maintain work area, as instructed in the safety instructions.
- Run the drill very slowly, using light pressure, until the hole is started enough to keep the drill bit from slipping out of it.
- Apply pressure in a straight line with the bit. Use enough pressure to keep the bit biting but not so much as to stall the motor or deflect the bit.
- **Hold the drill firmly with both hands to control its twisting action.**
- Drills (FS6500HD, FS7000D, FS8000HD) equipped with a side handle must be used.
- **DO NOT CLICK THE TRIGGER OF A STALLED DRILL OFF AND ON IN AN ATTEMPT TO START IT. DAMAGE TO THE DRILL CAN RESULT.**
- Minimize stalling on breakthrough by reducing pressure and slowly drilling through the last part of the hole.
- Keep the motor running while pulling the bit out of a drilled hole. This will help reduce jamming.

### Drilling In Wood

Holes in wood can be made with the same twist drill bits used for metal or with spade bits. These bits should be sharp and should be pulled out frequently when drilling to clear chips from the flutes.

### Drilling In Metal

Use a cutting lubricant when drilling metals. The exceptions are cast iron and brass which should be drilled dry. The cutting lubricants that work best are sulfurized cutting oil or lard oil.

### Drilling in Masonry (Shift drill into hammer mode if so equipped)

Use carbide tipped masonry bits. Refer to **Drilling** section. Keep even force on the drill but not so much that you crack the brittle material. A smooth, even flow of dust indicates the proper drilling rate.

**TROUBLESHOOTING****Problem**

- Unit will not start.

**Possible Cause**

- Cord not plugged in.
- Forward/reverse slider not fully depressed in desired direction.
- Circuit fuse is blown.
- Circuit breaker is tripped.
- Cord or switch is damaged.

**Possible Solution**

- Plug tool into a working outlet.
- Push slider completely to the left or right.
- Replace circuit fuse.  
(If the product repeatedly causes the circuit fuse to blow, discontinue use immediately and have it serviced at a Black & Decker service center or authorized servicer.)
- Reset circuit breaker.  
(If the product repeatedly causes the circuit breaker to trip, discontinue use immediately and have it serviced at a Black & Decker service center or authorized servicer.)
- Have cord or switch replaced at Black & Decker Service Center or Authorized Servicer.

For assistance with your product, visit our website **www.blackanddecker.com** for the location of the service center nearest you or call the BLACK & DECKER help line at **1-800-544-6986**.

**MAINTENANCE**

Use only mild soap and damp cloth to clean the tool. Never let any liquid get inside the tool; never immerse any part of the tool into a liquid.

**IMPORTANT:** To assure product SAFETY and RELIABILITY, repairs, maintenance and adjustment should be performed by authorized service centers or other qualified service personnel, always using identical replacement parts.

**ACCESSORIES**

Recommended accessories for use with your tool are available from your local dealer or authorized service center. If you need assistance regarding accessories, please call:

**1-800-544-6986.**

**⚠ WARNING:** The use of any accessory not recommended for use with this tool could be hazardous.

**SERVICE INFORMATION**

All Black & Decker Service Centers are staffed with trained personnel to provide customers with efficient and reliable power tool service. Whether you need technical advice, repair, or genuine factory replacement parts, contact the Black & Decker location nearest you. To find your local service location, refer to the yellow page directory under "Tools—Electric" or call: **1-800-544-6986** or visit **www.blackanddecker.com**

**FULL TWO-YEAR HOME USE WARRANTY**

Black & Decker (U.S.) Inc. warrants this product for two years against any defects in material or workmanship. The defective product will be replaced or repaired at no charge in either of two ways.

The first, which will result in exchanges only, is to return the product to the retailer from whom it was purchased (provided that the store is a participating retailer). Returns should be made within the time period of the retailer's policy for exchanges (usually 30 to 90 days after the sale). Proof of purchase may be required. Please check with the retailer for their

specific return policy regarding returns that are beyond the time set for exchanges.

The second option is to take or send the product (prepaid) to a Black & Decker owned or authorized Service Center for repair or replacement at our option. Proof of purchase may be required. Black & Decker owned and authorized Service Centers are listed under "Tools-Electric" in the yellow pages of the phone directory.

This warranty does not apply to accessories. This warranty gives you specific legal rights and you may have other rights which vary from state to state or province to province.

Should you have any questions, contact the manager of your nearest Black & Decker Service Center. This product is not intended for commercial use.

**FREE WARNING LABEL REPLACEMENT:** If your warning labels become illegible or are missing, call **1-800-544-6986** for a free replacement.

**SPECIAL WARRANTY NOTE TO CONTRACTORS:**

FIRESTORM™ branded products are offered as high end consumer home use tools and carry a **HOME USE WARRANTY**. These tools are designed, manufactured and tested to meet or exceed the needs of the do-it-yourselfer in the execution of projects and repairs in and around the home. With proper use they will provide the home owner with step up power and performance well beyond their two year warranty. However, if you use tools for a living and use FIRESTORM™ branded products or any of Black & Decker's other Consumer Home Use tools **ON THE JOBSITE** you should know that they **CANNOT BE COVERED UNDER OUR WARRANTY**.

**MAXIMUM RECOMMENDED CAPACITIES**

Cat. #	Type	Steel	Soft Wood	Hard Wood	Masonry
FS6000FD	3/8" Drill	3/8"(9.5mm) Twist Bit	1-1/4"(31.7mm)	1"(25.4mm)	N/A
FS6500HD	1/2" Hammer Drill	1/2"(12.7mm) Twist Bit	1"(25.4mm)	1/2"(12.7mm)	1/2"(12.7mm)
FS7000D	1/2" Drill	1/2"(12.7mm) Twist Bit	1-1/2"(38.1mm)	1-1/4"(31.7mm)	N/A
FS8000HD	1/2" Hammer Drill	1/2"(12.7mm) Twist Bit	1-1/2"(38.1mm)	1-1/4"(31.7mm)	1/2"(12.7mm)

Black & Decker (U.S.) Inc.,  
701 E. Joppa Rd.  
Towson, MD 21286 U.S.A.



See 'Tools-Electric'  
- Yellow Pages -  
for Service & Sales



**FIRESTORM**  
HIGH PERFORMANCE TOOLS

OUTILS À HAUT RENDEMENT  
HERRAMIENTAS DE ALTO RENDIMIENTO

BY **BLACK & DECKER**

**PERCEUSES ET MARTEAUX  
PERFORATEURS  
10 MM (3/8 PO) 13 MM (1/2 PO)**

## **GUIDE D'UTILISATION**

N° de catalogue

**FS6000FD  
FS6500HD  
FS7000D  
FS8000HD**



Numéro de catalogue  
FS7000D illustré

**MERCI D'AVOIR CHOISI FIRESTORM !**

**VISITEZ**

**[WWW.FIRESTORMTOOLS.COM/PRODUCTREGISTRATION](http://WWW.FIRESTORMTOOLS.COM/PRODUCTREGISTRATION)**

**POUR ENREGISTRER VOTRE NOUVEAU PRODUIT.**

**AVANT DE RETOURNER CE PRODUIT POUR  
QUELQUE RAISON QUE CE SOIT, COMPOSER LE**

**1-800-544-6986**

AVANT D'APPELER, AYEZ EN MAIN LE N° DE CATALOGUE ET LE CODE DE DATE. DANS LA PLUPART

DES CAS, UN REPRÉSENTANT DE BLACK & DECKER PEUT RÉSOUDRE LE PROBLÈME PAR

TÉLÉPHONE. SI VOUS AVEZ UNE SUGGESTION OU UN COMMENTAIRE, APPELEZ-NOUS. VOS

IMPRESSIONS SONT CRUCIALES POUR BLACK & DECKER.

**CONSERVER CE MANUEL POUR UN USAGE ULTERIEUR.**

## Règles de sécurité générales

**⚠️ AVERTISSEMENT! Lire toutes les directives.** Tout manquement aux directives suivantes pose des risques de choc électrique, d'incendie et/ou de blessure grave. Le terme « outil électrique » dans tous les avertissements ci-après se rapporte à votre outil électrique à alimentation sur secteur (avec fil) ou par piles (sans fil).

### CONSERVER CES DIRECTIVES

#### 1) Sécurité du lieu de travail

- a) **Tenir la zone de travail propre et bien éclairée.** *Les endroits sombres sont souvent des causes d'accidents.*
- b) **Ne pas faire fonctionner d'outils électriques dans un milieu déflagrant, soit en présence de liquides inflammables, de gaz ou de poussière.** *Les outils électriques produisent des étincelles qui peuvent enflammer la poussière ou les vapeurs.*
- c) **Éloigner les enfants et les curieux au moment d'utiliser un outil électrique.** *Une distraction pourrait vous en faire perdre la maîtrise.*

#### 2) Sécurité en matière d'électricité

- a) **Les fiches des outils électriques doivent correspondre à la prise. Ne jamais modifier la fiche en aucune façon.** *Ne jamais utiliser de fiche d'adaptation avec un outil électrique mis à la terre. Le risque de choc électrique sera réduit par l'utilisation de fiches non modifiées correspondant à la prise.*
- b) **Éviter tout contact physique avec des surfaces mises à la terre comme des tuyaux, des radiateurs, des cuisinières et des réfrigérateurs.** *Le risque de choc électrique est plus élevé si votre corps est mis à la terre.*
- c) **Ne pas exposer les outils électriques à la pluie ou à d'autres conditions où il pourrait être mouillé.** *La pénétration de l'eau dans un outil électrique augmente le risque de choc électrique.*
- d) **Ne pas utiliser abusivement le cordon d'alimentation. Ne jamais utiliser le cordon pour transporter, tirer ou débrancher un outil électrique. Tenir le cordon éloigné de la chaleur, de l'huile, des bords tranchants ou des pièces mobiles.** *Les cordons endommagés ou emmêlés augmentent les risques de choc électrique.*
- e) **Pour l'utilisation d'un outil électrique à l'extérieur, se servir d'une rallonge convenant à une telle utilisation.** *L'utilisation d'une rallonge conçue pour l'extérieur réduit les risques de choc électrique.*

#### 3) Sécurité personnelle

- a) **Être vigilant, surveiller le travail effectué et faire preuve de jugement lorsqu'un outil électrique est utilisé. Ne pas utiliser d'outil électrique en cas de fatigue ou sous l'influence de drogues, d'alcool ou de médicaments.** *Un moment d'inattention, durant l'utilisation d'un outil électrique, peut se solder par des blessures graves.*
- b) **Utiliser un équipement de sécurité. Toujours porter une protection oculaire.** *L'utilisation d'un équipement de sécurité comme un masque anti-poussières, des chaussures antidérapantes, un casque de sécurité ou des protecteurs auditifs lorsque la situation le requiert réduira les risques de blessures corporelles.*
- c) **Attention de ne pas mettre en marche l'outil accidentellement. S'assurer que l'interrupteur est en position d'arrêt avant tout branchement.** *Transporter un outil électrique alors que le doigt est sur l'interrupteur ou brancher un outil électrique alors que l'interrupteur est en position de marche risque de causer un accident.*
- d) **Retirer toute clé de réglage ou clé standard avant de démarrer l'outil.** *Une clé standard ou une clé de réglage attachée à une partie pivotante peut causer des blessures.*
- e) **Ne pas trop tendre les bras. Conserver son équilibre en tout temps.** *Cela permet de mieux maîtriser l'outil électrique dans les situations imprévues.*
- f) **S'habiller de manière appropriée. Ne pas porter de vêtements amples ni de bijoux. Maintenir cheveux, vêtements et gants éloignés des pièces mobiles.** *Les vêtements amples, bijoux ou cheveux longs pourraient s'enchevêtrer dans les pièces mobiles.*

g) **Si des composants sont fournis pour le raccordement de dispositifs de dépoussiérage et de ramassage, s'assurer que ceux-ci sont bien raccordés et utilisés.** *L'utilisation de ces dispositifs peut réduire les risques engendrés par les poussières.*

#### 4) Utilisation et entretien d'un outil électrique

- a) **Ne pas forcer un outil électrique. Utiliser l'outil électrique approprié à l'application.** *L'outil électrique approprié effectuera un meilleur travail, de façon plus sûre et à la vitesse pour laquelle il a été conçu.*
- b) **Ne pas utiliser un outil électrique dont l'interrupteur est défectueux.** *Tout outil électrique dont l'interrupteur est défectueux est dangereux et doit être réparé.*
- c) **Débrancher la fiche du secteur ou le bloc-piles de l'outil électrique avant de faire tout réglage ou changement d'accessoire, ou avant de ranger l'outil électrique.** *Ces mesures préventives réduisent les risques de démarrage accidentel de l'outil électrique.*
- d) **Ranger les outils électriques hors de la portée des enfants, et ne permettre à aucune personne n'étant pas familière avec un outil électrique (ou son manuel d'instruction) d'utiliser ce dernier.** *Les outils électriques deviennent dangereux entre les mains d'utilisateurs inexpérimentés.*
- e) **Entretenir les outils électriques. Vérifier les pièces mobiles pour s'assurer qu'elles sont bien alignées et tournent librement, qu'elles sont en bon état et ne sont affectées par aucun trouble susceptible de nuire au bon fonctionnement de l'outil électrique. En cas de dommage, faire réparer l'outil électrique avant toute nouvelle utilisation.** *Beaucoup d'accidents sont causés par des outils électriques mal entretenus.*
- f) **S'assurer que les outils de coupe sont aiguisés et propres.** *Les outils de coupe bien entretenus et affûtés sont moins susceptibles de se coincer et sont plus faciles à contrôler.*
- g) **Utiliser l'outil électrique, les accessoires, les mèches, etc., conformément aux présentes directives et suivant la manière prévue pour ce type particulier d'outil électrique, en tenant compte des conditions de travail et du travail à effectuer.** *L'utilisation d'un outil électrique pour toute opération autre que celle pour laquelle il a été conçu est dangereuse.*

#### 5) Réparation

- a) **Faire réparer l'outil électrique par un réparateur professionnel en n'utilisant que des pièces de rechange identiques.** *Cela permettra de maintenir une utilisation sécuritaire de l'outil électrique.*

### RÈGLES DE SÉCURITÉ SPÉCIFIQUES

- a) **Tenir l'outil par sa surface de prise isolée dans une situation où l'outil de coupe peut entrer en contact avec un câblage dissimulé ou avec son propre cordon d'alimentation.** *Tout contact avec un fil sous tension mettra sous tension les pièces métalliques de l'outil et électrocutera l'opérateur de l'outil.*
  - b) **Utiliser des brides de fixation ou un autre dispositif de fixation permettant de fixer solidement et de soutenir la pièce sur une plateforme stable.** *Tenir la pièce avec la main ou contre son corps la rend instable et risque de provoquer une perte de maîtrise de l'outil.*
  - c) **Porter des protecteurs auditifs si une perceuse à percussion est utilisée.** *Une exposition au bruit peut entraîner une perte auditive.*
  - d) **Utiliser les poignées auxiliaires fournies avec l'outil.** *Une perte de maîtrise de l'outil peut entraîner des blessures corporelles.*
  - e) **Les mèches à maçonnerie et les outils deviennent chauds en cours de fonctionnement.** *Pour les toucher, porter des gants.*
- △ **AVERTISSEMENT : TOUJOURS porter des lunettes de sécurité. Les lunettes de vue ne constituent PAS des lunettes de sécurité. Utiliser également un masque facial ou anti-poussière si l'opération de découpe génère de la poussière. TOUJOURS PORTER UN ÉQUIPEMENT DE PROTECTION HOMOLOGUÉ :**

- protection oculaire conforme à la norme ANSI Z87.1 (CAN/CSA Z94.3);
- protection auditive ANSI S12.6 (S3.19);
- protection des voies respiratoires conformes aux normes NIOSH/OSHA/MSHA.

**⚠ AVERTISSEMENT : certains outils électriques, tels que les sableuses, les scies, les meules, les perceuses ou certains autres outils de construction, peuvent produire de la poussière contenant des produits chimiques susceptibles d'entraîner le cancer, des malformations congénitales ou pouvant être nocifs pour le système reproductif. Parmi ces produits chimiques, on retrouve :**

- le plomb dans les peintures à base de plomb,
- la silice cristalline dans les briques et le ciment et autres produits de maçonnerie,
- l'arsenic et le chrome dans le bois de sciage ayant subi un traitement chimique (comme l'arséniate de cuivre et de chrome).

Le risque associé à de telles expositions varie selon la fréquence avec laquelle on effectue ces travaux. Pour réduire l'exposition à de tels produits, il faut travailler dans un endroit bien aéré et utiliser le matériel de sécurité approprié, tel un masque anti-poussières spécialement conçu pour filtrer les particules microscopiques.

• **Éviter tout contact prolongé avec la poussière soulevée par cet outil ou autres outils électriques. Porter des vêtements de protection et nettoyer les parties exposées du corps avec de l'eau savonneuse.** S'assurer de bien se protéger afin d'éviter d'absorber par la bouche, les yeux ou la peau des produits chimiques nocifs.

**⚠ AVERTISSEMENT : Cet outil peut produire et répandre de la poussière susceptible de causer des dommages sérieux et permanents au système respiratoire.** Toujours utiliser un appareil respiratoire anti-poussières approuvé par le NIOSH ou l'OSHA. Diriger les particules dans le sens opposé du visage et du corps.

L'étiquette de l'outil peut comporter les symboles suivants.

V .....	volts	A.....	ampères
Hz .....	hertz	W .....	watts
min.....	minutes	~ .....	courant alternatif
==== .....	courant continu	no .....	sous vide
☐ .....	construction de classe II	⊕ .....	borne de terre
⚠ .....	symbole d'avertissement	.../min .....	tours ou courses à la minute
coups/min.....		coups par minute	

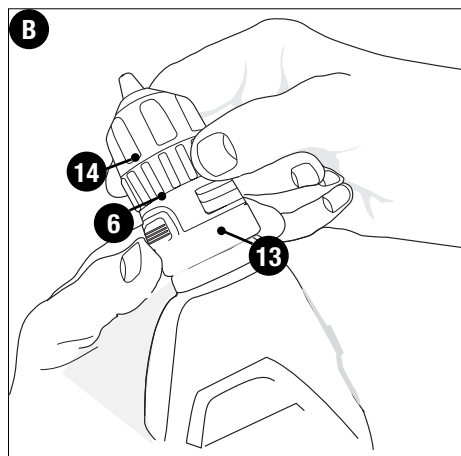
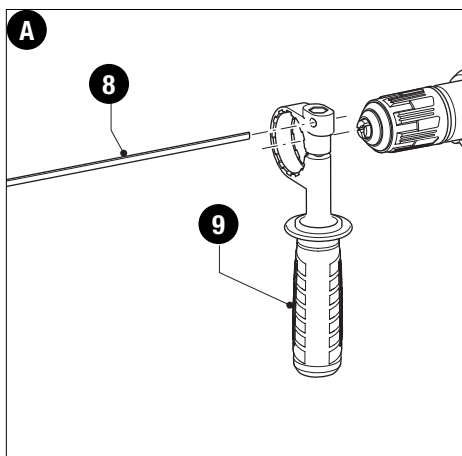
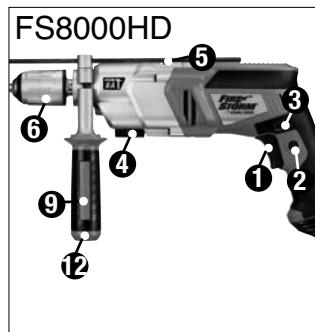
## Rallonges

L'utilisation d'une rallonge conçue pour l'extérieur réduit les risques de choc électrique. Lorsque qu'une rallonge électrique est utilisée, s'assurer d'en utiliser une de calibre suffisamment élevé pour assurer le transport du courant nécessaire au fonctionnement de votre appareil. Un cordon de calibre inférieur causera une chute de tension de ligne et donc une perte de puissance et une surchauffe. Le tableau suivant indique le calibre approprié à utiliser selon la longueur du cordon et l'intensité nominale de la plaque signalétique. En cas de doute, utiliser le calibre suivant le plus gros. Plus le numéro de calibre est petit, plus le cordon est lourd.

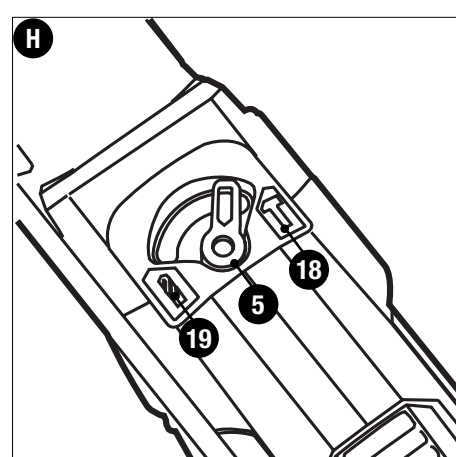
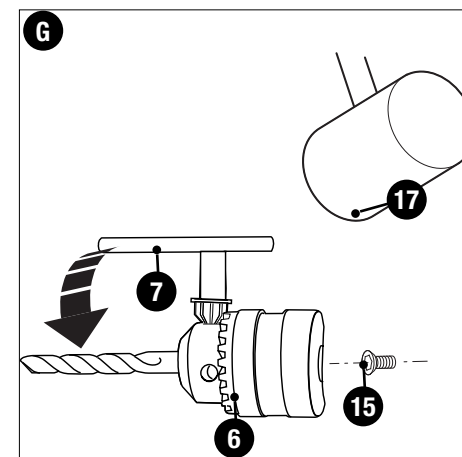
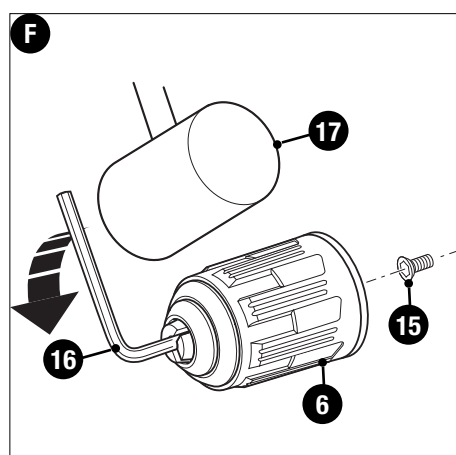
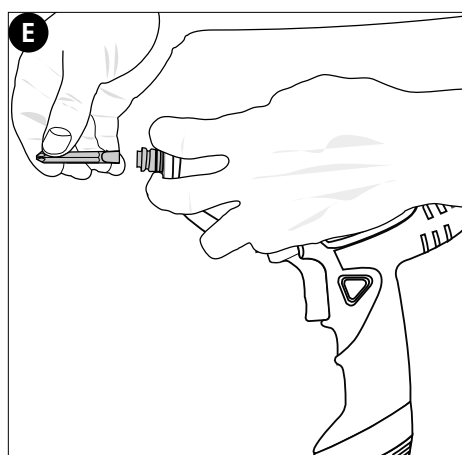
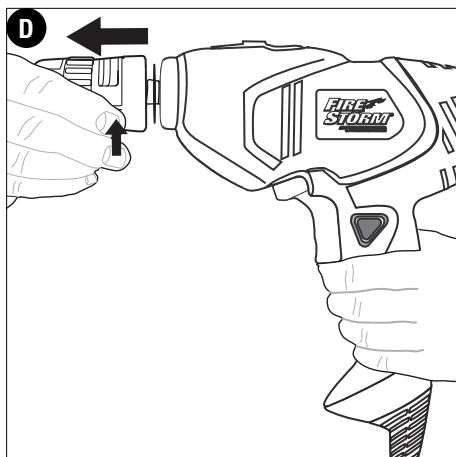
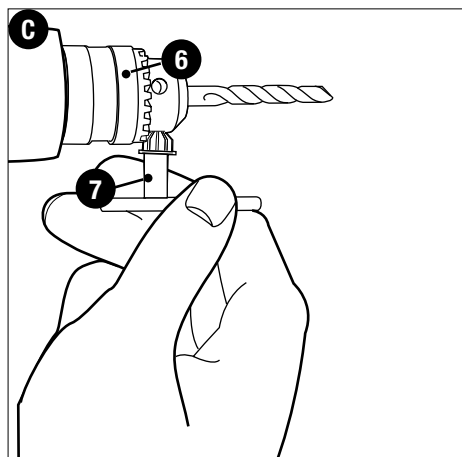
Calibre minimum pour les rallonges					
Volts	Longueur totale du cordon en pieds				
120 V	0-25	26-50	51-100	101-150	
240 V	0-50	51-100	101-200	201-300	
Intensité nominale					
Plus de	Pas plus de	Calibrage américain normalisé des fils (AWG)			
0	- 6	18	16	16	14
6	- 10	18	16	14	12
10	- 12	16	16	14	12
12	- 16	14	12	Non recommandé	

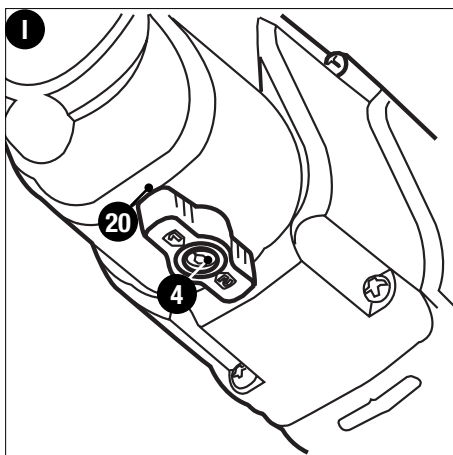
**DESCRIPTION  
FONCTIONNELLE**

1. Détection à vitesse variable
2. Bouton de verrouillage
3. Dispositif de glissement avant/arrière
4. Sélecteur à double marche
5. Sélecteur de mode de travail
6. Mandrin
7. Clé de mandrin
8. Butée de profondeur
9. Poignée latérale
10. Clip de ceinture
11. Mandrin amovible à entraînement rapide
12. Rangement des mèches









### ⚠ Avertissements de sécurité et directives : perceuses

⚠ **AVERTISSEMENT** : risque de choc électrique. Lors d'un perçage ou d'un vissage dans les murs, planchers ou tout autre endroit pouvant comporter des fils électriques sous tension, **NE PAS TOUCHER À UNE PARTIE MÉTALLIQUE DE L'OUTIL !** Tenir l'outil uniquement par la poignée en plastique pour prévenir tout choc électrique.

- Ne pas verrouiller l'outil en position de marche lors de perçage à la main. Se reporter au mode d'emploi : détente
- Tenir la perceuse fermement des deux mains pour contrôler la torsion de la perceuse. Si la perceuse est dotée d'une poignée latérale, toujours l'utiliser.
- ⚠ **AVERTISSEMENT** : la perceuse pourrait se bloquer (à cause d'une surcharge ou d'une mauvaise utilisation), produisant ainsi une torsion brusque. Il faut toujours prévoir l'éventualité d'un blocage. Saisir fermement la perceuse pour contrôler sa torsion et éviter d'en perdre la maîtrise ce qui pourrait entraîner des blessures corporelles. En cas de blocage, relâcher la détente immédiatement et déterminer la raison du blocage avant de redémarrer.
- Toujours débrancher la perceuse lors de l'insertion ou du retrait d'accessoires. Lors de l'insertion d'accessoires dans le mandrin de la perceuse, il est primordial de serrer solidement le mandrin en utilisant les trois trous pour prévenir tout glissement. Dans le cas d'un mandrin sans clé, serrer fermement à la main.

### Moteur

S'assurer que le bloc d'alimentation est compatible avec l'inscription de la plaque signalétique. L'inscription 120 volts c.a. seulement indique que l'outil fonctionnera sur une alimentation domestique standard de 60 Hz. Ne pas faire fonctionner des outils à courant alternatif (c.a.) sur un courant continu (c.c.). Un régime nominal de 120 volts c.a./c.c. signifie que l'outil fonctionnera avec une alimentation standard 60 Hz c.a. ou c.c. Ce renseignement figure sur la plaque signalétique. Une plus faible tension entraînera une baisse de régime, ce qui peut entraîner une surchauffe. Tous les outils Black & Decker sont testés en usine; si cet outil ne fonctionne pas, vérifier le bloc d'alimentation.

### Assemblage

⚠ **AVERTISSEMENT** : pour réduire le risque de blessures avant l'assemblage, s'assurer que l'outil est éteint et débranché.

### Fixation de la poignée latérale - FS6500HD, FS7000D, FS8000HD (fig. A)

Si la perceuse est dotée d'une poignée latérale, veuillez l'installer correctement pour bien maîtriser la perceuse.

- Tourner la poignée en sens antihoraire jusqu'à ce que la poignée latérale (9) se glisse en place à l'avant de l'outil comme indiqué.

- Pivoter la poignée latérale à la position désirée.
- Insérer la butée de profondeur (8) dans le trou réservé à cette fin comme indiqué (**modèle FS6500HD, FS8000HD**).
- Régler la butée de profondeur comme décrit sous la rubrique « Réglage de la profondeur de perçage (**modèle FS6500HD, FS8000HD**) ».
- Serrer la poignée latérale en la tournant en sens horaire.

### Insérer une mèche ou un autre accessoire (fig. B et C)

**⚠ AVERTISSEMENT : ne pas essayer de resserrer les mèches (ou tout autre accessoire) en saisissant la partie avant du mandrin et en mettant l'outil en marche.** Lors du changement d'accessoire, il y a risque d'endommager le mandrin et d'entraîner des blessures corporelles.

**⚠ AVERTISSEMENT : toujours s'assurer que la mèche est bien fixée avant de démarrer l'outil.** Une mèche desserrée peut être éjectée de l'outil et causer des blessures corporelles.

### Mandrin sans clé (modèle FS6000FD avec entraînement rapide) (fig. B)

- Ouvrir les mâchoires du mandrin (6) en saisissant la partie arrière (13) du mandrin d'une main et en utilisant la deuxième main pour tourner le manchon avant (14) en sens antihoraire.
- Insérer l'emmanchement de l'accessoire au centre des mâchoires du mandrin à une profondeur d'environ 19 mm (3/4 po).
- Saisir de nouveau la partie arrière du mandrin et tourner le manchon avant en sens horaire - si on se place à l'extrémité du mandrin - pour serrer solidement l'accessoire.

### Mandrin sans clé avec dispositif de verrouillage de la broche (FS6500HD, FS8000HD)

L'outil est doté d'une fonction qui bloque automatiquement la broche lorsque l'outil est au repos. Le blocage est normal et permet de serrer ou de desserrer le mandrin d'une seule main tout en tenant la perceuse avec l'autre main.

- Tourner le manchon (13) en sens antihoraire pour ouvrir les mâchoires du mandrin (6).
- Insérer l'emmanchement de l'accessoire au centre des mâchoires du mandrin à une profondeur d'environ 19 mm (3/4 po).
- Tourner le manchon en sens horaire - si on se place à l'extrémité du mandrin - pour serrer solidement l'accessoire.

### Mandrin et clé (modèle FS7000D) (fig. C)

- Tourner la bague en sens antihoraire (si on se place à l'extrémité du mandrin) pour ouvrir les mâchoires du mandrin (6).
- Insérer l'emmanchement de l'accessoire au centre des mâchoires du mandrin à une profondeur d'environ 19 mm (3/4 po).
- Puis serrer le mandrin à la main. Insérer la clé de mandrin (7) dans chacun des trois trous et serrer solidement en tournant en sens horaire.

**REMARQUE :** utiliser tous les trois trous du mandrin pour serrer et prévenir ainsi tout glissement de l'emmanchement.

### Retrait et fixation du mandrin (fig. D, E, F, G)

#### Système de changement de mèche pour modèle à entraînement rapide (modèle FS6000FD)

Le retrait rapide et aisé du mandrin est une caractéristique unique du modèle FS6000FD. Elle permet la présence d'une mèche dans le mandrin sans clé ainsi qu'un autre accessoire, comme un embout de tournevis, dans le trou hexagonale à entraînement rapide et ce, simultanément.

Retrait du mandrin :

1. Saisir la perceuse et enfoncer les deux boutons oranges sur la bague du mandrin comme indiqué à la **figure D**.
2. Maintenir les boutons enfoncés et tirer droit sur le mandrin.

Remplacement du mandrin :

1. Enfoncer bien droit le mandrin à entraînement rapide avec un léger mouvement de torsion jusqu'à ce qu'un déclic se fasse entendre (mandrin alors en position).

Pour insérer un embout de tournevis dans le trou hexagonale à entraînement rapide, enfoncer l'embout jusqu'à ce qu'un déclic se fasse entendre. Pour retirer l'embout, tenir la perceuse comme indiqué à la **figure E**. Enfoncer uniformément le disque à ressort avec deux doigts et tirer droit sur l'embout.

**Mandrin sans clé (modèles FS6500HD, FS8000HD) (fig. F)**

- Ouvrir autant que possible les mâchoires du mandrin (6).
- Dévisser en sens horaire avec un tournevis (filetage gauche) et retirer la vis de sûreté du mandrin (15) logée sur ce dernier.
- Insérer et serrer une clé Allen (16) de 6,35 mm (1/4 po) ou plus (clé non comprise) dans les mâchoires du mandrin et la frapper en sens horaire avec un marteau-caoutchouc (17) puis retirer la clé Allen.
- Retirer le mandrin en le tournant en sens antihoraire.
- Pour fixer un mandrin, le visser sur la broche et le fixer avec la vis de sûreté du mandrin.

**Mandrin à clé (modèle FS7000D) (fig. G)**

**REMARQUE** : permuter en mode perceuse (et non en mode marteau-perforateur, si l'outil en est doté) avant d'essayer de retirer le mandrin.

- Insérer la clé du mandrin (7) dans n'importe lequel des trois trous du mandrin (6).
- Frapper la clé avec un marteau-caoutchouc (17) en sens horaire. Cette action desserrera la vis (15) à l'intérieur du mandrin.
- Ouvrir complètement les mâchoires du mandrin et dévisser, avec un tournevis, en sens horaire (filetage gauche) la vis de sûreté du mandrin logée à l'intérieur.
- Insérer la clé dans le mandrin. Frapper d'un coup brusque la clé avec un marteau-caoutchouc (17) en sens antihoraire.
- Retirer le mandrin en le tournant en sens antihoraire.
- Pour fixer un mandrin, le visser sur la broche et le fixer avec la vis de sûreté du mandrin.

**Clip de ceinture (modèles FS6000FD, FS7000D)**

**⚠ AVERTISSEMENT** : lors de l'utilisation du clip de ceinture (10) pour le transport de l'outil, ne pas laisser d'accessoire dans le mandrin.

**Fonctionnement**

**⚠ AVERTISSEMENT** : pour réduire le risque de blessure personnelle grave, veuillez lire, assimiler et suivre tous les avertissements de sécurité et toutes les directives avant d'utiliser l'outil.

**⚠ AVERTISSEMENT** : pour éviter toute blessure corporelle, soutenir correctement la pièce et tenir fermement la perceuse pour empêcher une perte de maîtrise de l'outil. Pour toute question sur l'utilisation de l'outil, composer le : 1-800-544-6986.

**⚠ AVERTISSEMENT** : ne pas essayer de resserrer les mèches (ou tout autre accessoire) en saisissant la partie avant du mandrin et en mettant l'outil en marche. Lors du changement d'accessoires, il y a risque d'endommager le mandrin et d'entraîner des blessures corporelles.

**⚠ AVERTISSEMENT** : pour réduire le risque de blessures, toujours débrancher la perceuse avec d'effectuer quelque ajustement que ce soit ou de changer d'accessoires.

**⚠ AVERTISSEMENT** : pour réduire les risques de blessures, laisser l'outil travailler à sa propre vitesse. Ne pas le surcharger.

**Sélection du sens de rotation (modèles FS6000FD, FS6500HD)**

Pour percer et serrer des vis, utiliser la rotation avant (sens horaire). Pour desserrer des vis ou retirer une mèche de perceuse coincée, utiliser la rotation arrière (sens antihoraire). Remarque : le boîtier de la perceuse comporte également une illustration du sens de rotation.

**⚠ AVERTISSEMENT** : ne jamais permuter entre les directions de rotation avec le moteur de la perceuse en fonctionnement.

- Pour sélectionner la rotation avant, coulisser le dispositif de glissement avant/arrière (3) vers la droite (si on se place à l'extrémité du mandrin).
- Pour sélectionner la rotation arrière, coulisser le dispositif de glissement avant/arrière (3) vers la gauche (si on se place à l'extrémité du mandrin).

**Sélection du sens de rotation (modèles FS7000D, FS8000HD)**

Pour percer et serrer des vis, utiliser la rotation avant (sens horaire). Pour desserrer des vis ou retirer une mèche de perceuse coincée, utiliser la rotation arrière (sens antihoraire).

**⚠ AVERTISSEMENT** : ne jamais permuter entre les directions de rotation avec le moteur de la perceuse en fonctionnement.

- Pour sélectionner la rotation avant, coulisser le dispositif de glissement avant/arrière (3) vers la gauche (si on se place à l'extrémité du mandrin).

- Pour sélectionner la rotation arrière, coulisser le dispositif de glissement avant/arrière (3) vers la droite (si on se place à l'extrémité du mandrin).

Remarque : le boîtier de la perceuse comporte également une illustration du sens de rotation.

⚠ **AVERTISSEMENT** : ne jamais permuter entre les directions de rotation avec le moteur de la perceuse en fonctionnement.

### Sélection du mode perceuse (modèles FS6500HD, FS8000HD) (fig. H)

- Pour perforez de la maçonnerie, régler le sélecteur de mode de travail (5) sur le « symbole du marteau » (18).
- Pour le perçage d'autre matière et pour le vissage, régler le sélecteur de mode de travail (5) sur le « symbole de la perceuse » (19).

### Sélecteur à double marche (modèle FS8000HD) (fig. I)

- Pour tout travail de perçage d'acier et le vissage, régler le sélecteur à double marche (4) à la position 1 en alignant le nombre avec le repère sur le boîtier (20) (1e marche). Faire de même lors de l'utilisation de mèches de gros diamètre pour le perçage du bois.
- Pour le perçage d'autre matière que l'acier et lors de l'utilisation de mèches de diamètre plus petit, régler le sélecteur à double marche (4) à la position 2 en alignant le nombre avec le repère sur le boîtier (20) (2e marche).

### Réglage de la profondeur de perçage (modèles FS6500HD, FS8000HD)

- Donner du mou à la poignée latérale (9) en la tournant en sens antihoraire.
- Régler la butée de profondeur (8) à la position désirée. La profondeur maximale de perçage est équivalente à la distance entre la pointe de la mèche et l'extrémité avant de la butée de profondeur.
- Serrer la poignée latérale en la tournant en sens horaire.

### Mise en marche et arrêt

- Pour mettre la perceuse en marche, appuyer sur la détente à vitesse variable (1). La vitesse de l'outil varie selon la pression qu'on exerce sur la détente.
- Pour un fonctionnement continu, appuyer sur le bouton de verrouillage (2) et relâcher la détente à vitesse variable. L'option n'est disponible qu'à plein régime.
- Pour éteindre l'outil, relâcher la détente à vitesse variable. Pour mettre l'outil hors tension en mode de fonctionnement continu, appuyer sur la détente à vitesse variable une fois, puis la relâcher.

⚠ **AVERTISSEMENT** : verrouiller la perceuse en position de MARCHE uniquement si elle est fixe sur un socle de perceuse à colonne ou un autre dispositif de fixation. **NE JAMAIS LA VERROUILLER LORS D'UNE UTILISATION MANUELLE** ! Ne jamais débrancher l'outil avec le dispositif de verrouillage engagé. Le non-respect de cette mesure provoquera le démarrage immédiat de l'outil dès le prochain branchement.

### Perçage

- Toujours débrancher la perceuse lors de l'insertion ou du retrait d'accessoires. Lors de l'insertion d'accessoires dans le mandrin de la perceuse, il est primordial de serrer solidement le mandrin en utilisant les trois trous pour prévenir tout glissement. Dans le cas d'un mandrin sans clé, serrer fermement à la main.
- N'utiliser que des mèches bien aiguisées.
- Soutenir correctement et fixer solidement la pièce, tel qu'indiqué dans les directives de sécurité.
- Utiliser l'équipement de sécurité approprié, tel qu'indiqué dans les directives de sécurité.
- Protéger et entretenir la zone de travail, tel qu'indiqué dans les directives de sécurité.
- Faire tourner la perceuse très lentement, en utilisant peu de pression, jusqu'à ce que le trou soit suffisamment grand pour que la mèche ne glisse pas.
- Exercer une pression en ligne droite avec la mèche. Exercer suffisamment de pression pour faire mordre la mèche mais ne pas appuyer à l'excès pour éviter de caler le moteur ou de faire dévier la mèche.
- **Tenir fermement l'outil avec les deux mains afin de contrôler sa torsion.**
- Utiliser en tout temps la poignée latérale (modèles FS6500HD, FS7000D et FS8000HD) des outils qui en sont dotés.
- **NE PAS TENTER DE FAIRE DÉMARRER UNE PERCEUSE BLOQUÉE EN UTILISANT LE DÉCLENCHEUR. IL Y A RISQUE D'ENDOMMAGER L'OUTIL.**

- Éviter les blocages en réduisant la pression lors du perçage et percer lentement dans la dernière portion du trou.
- Ne pas arrêter le moteur lors du retrait de l'embout du trou percé. Cette pratique réduira ainsi les blocages.
- Branchement de la perceuse. S'assurer que la détente fonctionne.

### Perçage dans le bois

Il est possible d'utiliser les mèches hélicoïdales qui percent le métal ou des mèches à trois pointes. Ces mèches doivent être bien aiguisées et doivent être fréquemment retirées pour nettoyer les cannelures.

### Perçage dans le métal

Utiliser un lubrifiant de coupe pour percer les métaux. Seuls la fonte et le laiton doivent être percés à sec. Les meilleurs lubrifiants sont l'huile de coupe sulfurisée et l'huile de lard.

### Perçage de la maçonnerie (permuter l'outil en mode marteau-perforateur s'il en est doté)

Utiliser des mèches à maçonnerie à pointe carburée. Se reporter à la section sur le **perçage**. Conservez une bonne pression sur la perceuse, mais faites attention de ne pas faire craquer ce matériel cassant. Une évacuation continue de poussière indique que votre vitesse de perçage est adéquate.

## DÉPANNAGE

### Problème

- L'appareil refuse de démarrer.

### Cause possible

- Cordon d'alimentation non branché.
- Le dispositif de glissement avant/arrière n'est pas entièrement glissé dans la direction voulue.
- Le fusible du circuit est grillé.
- Le disjoncteur est déclenché.
- Le cordon d'alimentation ou l'interrupteur est endommagé.

### Solution possible

- Brancher l'outil dans une prise qui fonctionne.
- Coulisser le dispositif de complètement vers la gauche ou la droite.
- Remplacer le fusible du circuit. (Si le produit fait griller de façon répétée le fusible du circuit, arrêter immédiatement l'utilisation du produit et le faire réparer dans un centre de réparation Black & Decker ou un centre de réparation autorisé.)
- Remettre le disjoncteur à zéro. (Si le produit fait déclencher de façon répétée le disjoncteur, arrêter immédiatement l'utilisation du produit et le faire réparer dans un centre de réparation Black & Decker ou un centre de réparation autorisé.)
- Faire remplacer le cordon ou l'interrupteur au centre de réparation Black & Decker ou à un centre de réparation autorisé.

Pour obtenir de l'aide avec l'outil, consulter notre site Web [www.blackanddecker.com](http://www.blackanddecker.com) pour l'emplacement du centre de réparation le plus près ou communiquer avec l'assistance **BLACK & DECKER** au **1-800-544-6986**.

## ENTRETIEN

Nettoyer l'outil au moyen d'un savon doux et d'un linge humide seulement. Ne jamais laisser de liquide s'infiltrer à l'intérieur de l'outil ni tremper ce dernier dans un liquide quelconque.

**IMPORTANT** : pour assurer la **SÉCURITÉ** et la **FIABILITÉ** de ce produit, toutes les opérations de réparation, d'entretien et de réglage (autres que celles décrites aux présentes) doivent être effectuées dans un centre de service autorisé ou par du personnel qualifié; on ne doit utiliser que des pièces de rechange identiques.

## ACCESSOIRES

Les accessoires recommandés pour cet outil sont offerts au centre de service autorisé ou chez le dépositaire local; pour obtenir de plus amples renseignements sur ces accessoires, composer le 1 800 544-6986.

⚠ **AVERTISSEMENT** : il pourrait s'avérer dangereux d'utiliser des accessoires autres que ceux recommandés pour cet outil.

## INFORMATION SUR LES RÉPARATIONS

Tous les centres de réparation Black & Decker sont dotés de personnel qualifié en matière d'outillage électrique; ils sont donc en mesure d'offrir à leur clientèle un service efficace et fiable. Que ce soit pour un avis technique, une réparation ou des pièces de rechange authentiques installées en usine, communiquer avec l'établissement Black & Decker le plus près de chez vous. Pour trouver l'établissement de réparation de votre région, consulter le répertoire des Pages jaunes à la rubrique « Outils électriques » ou composer le numéro suivant : **1-800-544-6986** ou consulter le site [www.blackanddecker.com](http://www.blackanddecker.com)

## GARANTIE COMPLÈTE DE DEUX ANS POUR UNE UTILISATION DOMESTIQUE

Black & Decker (É.-U.) Inc. garantit ce produit pour une durée de deux ans contre tout défaut de matériau ou de fabrication. Le produit défectueux sera remplacé ou réparé sans frais de l'une des deux façons suivantes :

La première façon consiste en un simple échange chez le détaillant qui l'a vendu (pourvu qu'il s'agisse d'un détaillant participant). Tout retour doit se faire durant la période correspondant à la politique d'échange du détaillant (habituellement, de 30 à 90 jours après l'achat). Une preuve d'achat peut être requise. Vérifier auprès du détaillant pour connaître sa politique concernant les retours hors de la période définie pour les échanges.

La deuxième option est d'apporter ou d'envoyer le produit (transport payé d'avance) à un centre de réparation autorisé ou à un centre de réparation de Black & Decker pour faire réparer ou échanger le produit, à notre discrétion. Une preuve d'achat peut être requise. Les centres Black & Decker et les centres de service autorisés sont répertoriés dans les pages jaunes, sous la rubrique « Outils électriques ».

Cette garantie ne s'applique pas aux accessoires. Cette garantie vous accorde des droits légaux spécifiques et vous pourriez avoir d'autres droits qui varient d'un État ou d'une province à l'autre. Pour toute question, communiquer avec le directeur du centre de réparation Black & Decker le plus près de chez vous. Ce produit n'est pas destiné à un usage commercial.

**REMPLACEMENT GRATUIT DES ÉTIQUETTES D'AVERTISSEMENT** : si les étiquettes d'avertissement deviennent illisibles ou sont manquantes, composer le **1-800-544-6986** pour en obtenir le remplacement gratuit.

## REMARQUE À L'INTENTION DES ENTREPRENEURS CONCERNANT LA GARANTIE SPÉCIALE

Les produits de marque FIRESTORM<sup>MC</sup> sont des outils hauts de gamme destinés aux consommateurs et comportent une **GARANTIE POUR USAGE RÉSIDENTIEL**. Ces outils sont conçus, fabriqués et mis à l'essai en vue de répondre aux besoins du bricoleur, ou de les dépasser, lorsque ce dernier réalise des projets ou effectue des réparations à l'intérieur ou à l'extérieur de sa résidence. Utilisés correctement, ces outils procurent à l'utilisateur un rendement et une puissance supérieurs qui excèdent de loin la période de garantie de deux ans. Par contre, tout outil utilisé à des fins commerciales ou tout produit de marque FIRESTORM<sup>MC</sup> ou tout autre produit Black & Decker destiné aux consommateurs et réservé à un usage résidentiel, utilisé dans le cadre d'une **ACTIVITÉ RELIÉE AU TRAVAIL, N'EST PAS COUVERT PAR LA PRÉSENTE GARANTIE.**

Imported by / Importé par  
Black & Decker Canada Inc.  
100 Central Ave.  
Brockville (Ontario) K6V 5W6

Voir la rubrique "Outils électriques"  
des Pages Jaunes  
pour le service et les ventes.



## CAPACITÉS MAXIMALES RECOMMANDÉES

N° Cat.	Type	Acier	Bois tendre	Bois dur	Maçonnerie
FS6000FD	emmanchement de 9,5 mm (3/8 po)	mèche hélicoïdale de 9,5 mm (3/8 po)	31,7 mm (1-1/4 po)	25,4 mm (1 po)	S/O
FS6500HD	emmanchement de 12,7 mm (1/2 po) pour marteau-perforateur	mèche hélicoïdale de 12,7 mm (1/2 po)	25,4 mm (1 po)	12,7 mm (1/2 po)	12,7 mm (1/2 po)
FS7000HD	emmanchement de 12,7 mm (1/2 po)	mèche hélicoïdale de 12,7 mm (1/2 po)	38,1 mm (1-1/2 po)	31,7 mm (1-1/4 po)	S/O
FS8000HD	emmanchement de 12,7 mm (1/2 po) pour marteau-perforateur	mèche hélicoïdale de 12,7 mm (1/2 po)	38,1 mm (1-1/2 po)	31,7 mm (1-1/4 po)	12,7 mm (1/2 po)



**FIRESTORM**<sup>®</sup>  
HIGH PERFORMANCE TOOLS

OUTILS À HAUT RENDEMENT  
HERRAMIENTAS DE ALTO RENDIMIENTO

BY **BLACK & DECKER**

**TALADROS Y TALADROS DE PERCUSIÓN  
DE 10 MM (3/8") Y 13 MM (1/2")**

## **MANUAL DE INSTRUCCIONES**

Catálogo N°

**FS6000FD  
FS6500HD  
FS7000D  
FS8000HD**



Número de catálogo  
exhibido: FS7000D

**¡GRACIAS POR ELEGIR FIRESTORM!**

VAYA A

[WWW.FIRESTORMTOOLS.COM/PRODUCTREGISTRATION](http://WWW.FIRESTORMTOOLS.COM/PRODUCTREGISTRATION)

PARA REGISTRAR SU NUEVO PRODUCTO.

**ANTES DE DEVOLVER ESTE PRODUCTO POR  
CUALQUIER MOTIVO, LLAME AL**

**(55)5326-7100**

ANTES DE LLAMAR, TENGA EL NÚMERO DE CATÁLOGO Y EL CÓDIGO DE FECHA PREPARADOS. EN LA MAYORÍA DE LOS CASOS, UN REPRESENTANTE DE BLACK & DECKER PUEDE RESOLVER EL PROBLEMA POR TELÉFONO. SI DESEA REALIZAR UNA SUGERENCIA O COMENTARIO, LLÁMENOS. SU OPINIÓN ES FUNDAMENTAL PARA BLACK & DECKER.

**CONSERVE ESTE MANUAL PARA FUTURAS CONSULTAS.**

## Normas generales de seguridad

**⚠️ ADVERTENCIA:** Lea todas las instrucciones. El incumplimiento de las instrucciones enumeradas debajo puede provocar descarga eléctrica, incendio o lesiones graves. El término "herramienta eléctrica" incluido en todas las advertencias enumeradas a continuación hace referencia a su herramienta eléctrica operada con corriente (alámbrica) o a su herramienta eléctrica operada con baterías (inalámbrica).

### CONSERVE ESTAS INSTRUCCIONES

#### 1) Seguridad en el área de trabajo

- a) **Mantenga el área de trabajo limpia y bien iluminada.** *Las áreas abarrotadas y oscuras propician accidentes.*
- b) **No opere herramientas eléctricas en atmósferas explosivas, como ambientes donde se encuentran líquidos, gases o polvo inflamables.** *Las herramientas eléctricas originan chispas que pueden encender el polvo o los vapores.*
- c) **Mantenga a los niños y espectadores alejados de la herramienta eléctrica en funcionamiento.** *Las distracciones pueden provocar la pérdida de control.*

#### 2) Seguridad eléctrica

- a) **Los enchufes de la herramienta eléctrica deben adaptarse al tomacorriente. Nunca modifique el enchufe de ninguna manera. No utilice ningún enchufe adaptador con herramientas eléctricas con conexión a tierra.** *Los enchufes no modificados y que se adaptan a los tomacorrientes reducirán el riesgo de descarga eléctrica.*
- b) **Evite el contacto corporal con superficies puestas a tierra, como por ejemplo tuberías, radiadores, rangos y refrigeradores.** *Existe mayor riesgo de descarga eléctrica si su cuerpo está puesto a tierra.*
- c) **No exponga las herramientas eléctricas a la lluvia o a condiciones de humedad.** *Si ingresa agua a una herramienta eléctrica, aumentará el riesgo de descarga eléctrica.*
- d) **No maltrate al cable. Nunca utilice el cable para transportar, tirar o desenchufar la herramienta eléctrica. Mantenga el cable lejos del calor, aceite, bordes afilados o piezas móviles.** *Los cables dañados o enredados aumentan el riesgo de descarga eléctrica.*
- e) **Al operar una herramienta eléctrica en el exterior, utilice un cable prolongador adecuado para tal uso.** *Utilice un cable adecuado para uso en exteriores a fin de reducir el riesgo de descarga eléctrica.*

#### 3) Seguridad personal

- a) **Permanezca alerta, controle lo que está haciendo y utilice el sentido común cuando emplee una herramienta eléctrica. No utilice una herramienta eléctrica si está cansado o bajo el efecto de drogas, alcohol o medicamentos.** *Un momento de descuido mientras se opera una herramienta eléctrica podría provocar daños personales graves.*
- b) **Use equipo de seguridad. Siempre utilice protección para los ojos.** *El equipo de seguridad, como las máscaras para polvo, el calzado de seguridad antideslizante, los cascos o la protección auditiva utilizados para condiciones adecuadas reducirán las lesiones personales.*
- c) **Evite el encendido por accidente. Asegúrese de que el interruptor esté en la posición de apagado antes de enchufar la herramienta.** *Transportar herramientas eléctricas con su dedo apoyado sobre el interruptor o enchufar herramientas eléctricas con el interruptor en posición de encendido puede propiciar accidentes.*
- d) **Retire las clavijas de ajuste o llaves de tuercas antes de encender la herramienta eléctrica.** *Una llave de tuercas o una clavija de ajuste que se deje conectada a una pieza giratoria de la herramienta eléctrica pueden provocar lesiones personales.*
- e) **No se estire. Conserve el equilibrio adecuado y manténgase parado correctamente en todo momento.** *Esto permite un mejor control de la herramienta eléctrica en situaciones inesperadas.*
- f) **Vístase apropiadamente. No use ropas holgadas ni joyas. Mantenga el cabello, las ropas y los guantes alejados de las piezas móviles. Las ropas holgadas, las joyas o el cabello largo pueden quedar atrapados en las piezas móviles.** *Los orificios de ventilación suelen cubrir piezas móviles, por lo que también se deben evitar.*

**g) Si se suministran dispositivos para la conexión de accesorios para la recolección y extracción de polvo, asegúrese de que estén conectados y se utilicen correctamente. El uso de estos dispositivos puede reducir los peligros relacionados con el polvo.**

#### **4) Uso y mantenimiento de la herramienta eléctrica**

- a) No fuerce la herramienta eléctrica. Utilice la herramienta eléctrica correcta para el trabajo que realizará. La herramienta eléctrica correcta hará el trabajo mejor y más seguro a la velocidad para la que fue diseñada.**
- b) No utilice la herramienta eléctrica si no puede encenderla o apagarla con el interruptor. Toda herramienta eléctrica que no puede ser controlada mediante el interruptor es peligrosa y debe ser reparada.**
- c) Desconecte el enchufe de la fuente de energía y/o el paquete de baterías de la herramienta eléctrica antes de realizar ajustes, cambiar accesorios o almacenar herramientas eléctricas. Estas medidas de seguridad preventivas reducen el riesgo de encender la herramienta eléctrica en forma accidental.**
- d) Guarde las herramientas eléctricas que no están en uso fuera del alcance de los niños y no permite que otras personas no familiarizadas con ella o con estas instrucciones operen la herramienta. Las herramientas eléctricas son peligrosas en las manos de usuarios no entrenados.**
- e) Mantenimiento de las herramientas eléctricas. Controle que no haya piezas móviles mal alineadas o trabadas, piezas rotas y toda otra situación que pueda afectar el funcionamiento de las herramientas eléctricas. Si encuentra daños, haga reparar la herramienta eléctrica antes de utilizarla. Se producen muchos accidentes a causa de las herramientas eléctricas que carecen de un mantenimiento adecuado.**
- f) Mantenga las herramientas de corte afiladas y limpias. Las herramientas de corte con mantenimiento adecuado, con los bordes de corte afilados son menos propensas a trabarse y son más fáciles de controlar.**
- g) Utilice la herramienta eléctrica, los accesorios y las brocas de la herramienta, etc. de acuerdo con estas instrucciones y de la forma prevista para el tipo de herramienta eléctrica en particular, teniendo en cuenta las condiciones de trabajo y el trabajo que debe realizarse. El uso de la herramienta eléctrica para operaciones diferentes de aquéllas para las que fue diseñada puede provocar una situación peligrosa.**

#### **5) Mantenimiento**

- a) Haga que una persona de reparaciones calificada realice el mantenimiento de su herramienta eléctrica y utilice piezas de repuesto idénticas solamente. Esto garantizará la seguridad de la herramienta eléctrica.**

### **NORMAS DE SEGURIDAD ESPECÍFICAS**

- a) Cuando realice una operación donde la herramienta de corte pueda tocar cables eléctricos ocultos o su propio cable, sostenga la herramienta por las superficies de agarre aisladas. El contacto con un cable con "corriente eléctrica" hará que las partes metálicas expuestas de la herramienta tengan "corriente eléctrica" y el operador sufra una descarga eléctrica.**
- b) Utilice abrazaderas u otra forma práctica para asegurar y sostener la pieza de trabajo sobre una plataforma estable. Sostener el trabajo con la mano o contra el cuerpo no brinda la estabilidad requerida y puede llevar a la pérdida del control.**
- c) Utilice protectores auditivos con los taladros de impacto. La exposición al ruido puede ocasionar la pérdida de la audición.**
- d) Use los mangos auxiliares que se suministran con la herramienta. La pérdida del control podría ocasionar lesiones personales.**
- e) Las herramientas y las brocas para taladro de percusión se recalientan durante la operación. Use guantes al tocarlas.**
- ⚠ AVERTISSEMENT : USE SIEMPRE LENTES DE SEGURIDAD. Los anteojos de uso diario NO son lentes de seguridad. Utilice también máscaras faciales o para polvo si el corte produce polvillo. UTILICE SIEMPRE EQUIPOS DE SEGURIDAD CERTIFICADOS:**

- Protección para los ojos según la norma ANSI Z87.1 (CAN/CSA Z94.3)
- Protección auditiva según la norma ANSI S12.6 (S3.19)
- Protección respiratoria según las normas NIOSH/OSHA/MSHA

**⚠ AVERTISSEMENT : El polvo creado al lijar, aserrar, pulir, taladrar o realizar otras actividades de la construcción, contiene sustancias químicas que se sabe producen cáncer, defectos de nacimiento u otros defectos del sistema reproductor. Algunos ejemplos de esos productos químicos son:**

- El plomo de las pinturas a base de plomo,
- La sílice cristalina de los ladrillos, del cemento y de otros productos de albañilería,
- y
- El arsénico y el cromo de la madera tratada químicamente (CCA).

El riesgo que se corre a causa del contacto con esos productos varía según la frecuencia con que usted realice este tipo de trabajos. Con el fin de reducir su exposición a esas sustancias químicas, trabaje en un área bien ventilada y utilice un equipo de seguridad reglamentario, tal como una máscara contra el polvo especialmente diseñada para filtrar partículas microscópicas.

- **Evite el contacto prolongado con el polvo proveniente del lijado, aserrado, amolado y taladrado eléctrico y otras actividades de construcción. Use vestimenta protectora y lave todas las áreas expuestas con agua y jabón.** De entrar polvo en sus ojos, boca, o que este permanezca sobre su piel puede promover la absorción de químicos dañinos.

**⚠ AVERTISSEMENT :** El uso de esta herramienta puede generar y/o dispersar el polvo, el cual puede ocasionar lesión respiratoria u otro tipo de lesión grave y permanente. Utilice siempre protección respiratoria NIOSH/OSHA apropiada para la exposición al polvo. Dirija las partículas lejos de su cara o su cuerpo.

La etiqueta de su herramienta puede incluir los siguientes símbolos.

- |                      |                                 |               |                                |
|----------------------|---------------------------------|---------------|--------------------------------|
| V .....              | volts                           | BPM .....     | Golpes por minuto              |
| A .....              | amperes                         | Hz .....      | hertz                          |
| W .....              | watts                           | min .....     | minutos                        |
| ~ .....              | corriente alterna               | ----          | corriente directa              |
| n <sub>o</sub> ..... | velocidad sin carga             | ☐ .....       | construcción clase II          |
| ⊕ .....              | terminales de conexión a tierra | .../min ..... | revoluciones o reciprocaciones |
| ⚠ .....              | símbolo de alerta seguridad     |               |                                |

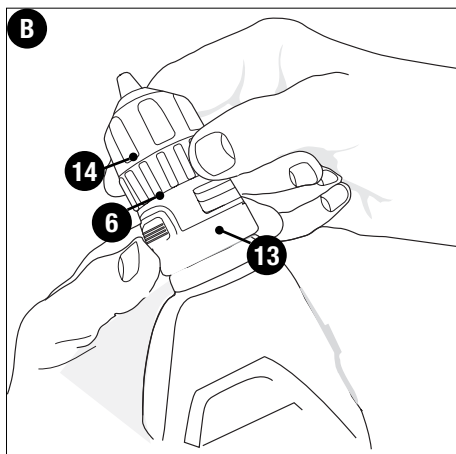
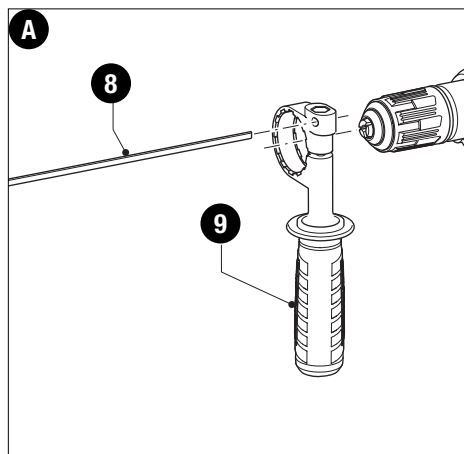
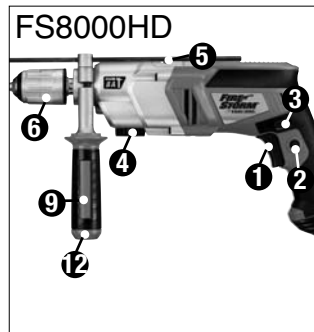
### Cables prolongadores

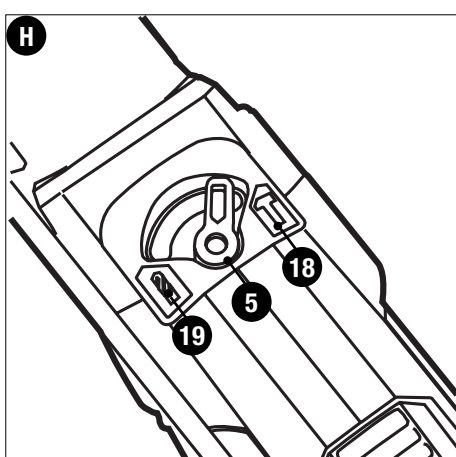
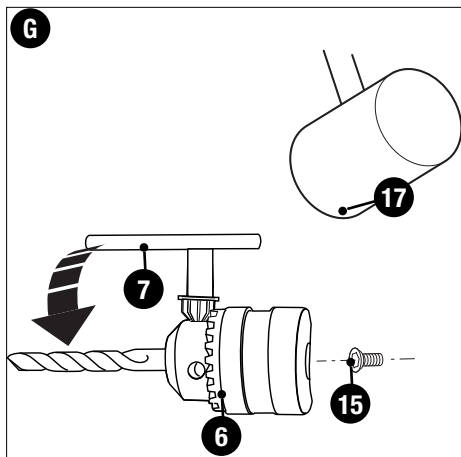
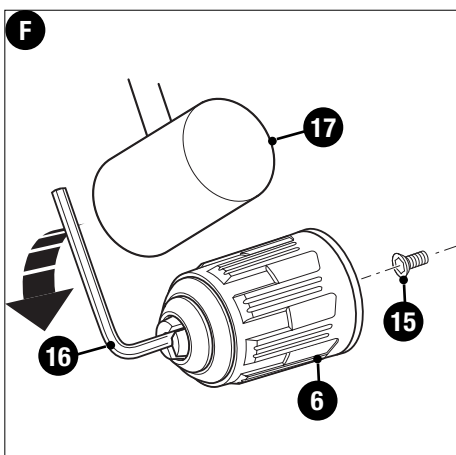
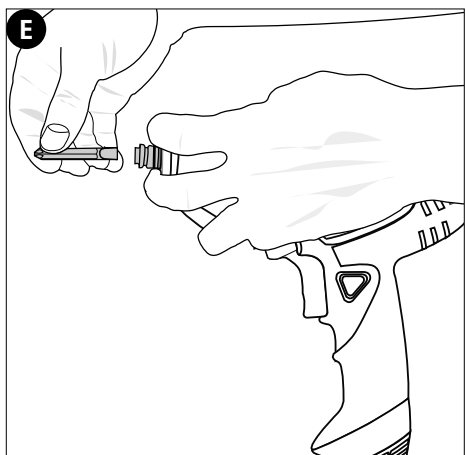
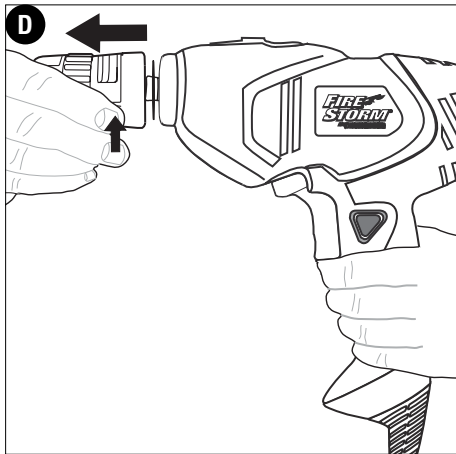
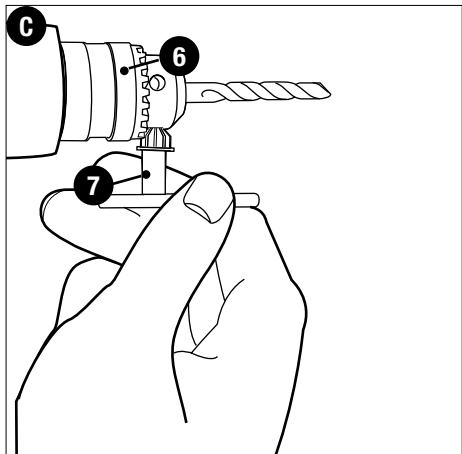
Utilice un cable adecuado para uso en exteriores a fin de reducir el riesgo de descarga eléctrica. Cuando utilice un cable prolongador, asegúrese de que tenga la capacidad para conducir la corriente que su producto exige. Un cable de menor capacidad provocará una disminución en el voltaje de la línea que producirá pérdida de potencia y sobrecalentamiento. La siguiente tabla muestra la medida correcta que debe utilizar según la longitud del cable y la capacidad nominal en amperios indicada en la placa. En caso de duda, utilice el calibre inmediatamente superior. Cuanto menor es el número de calibre, más grueso es el cable.

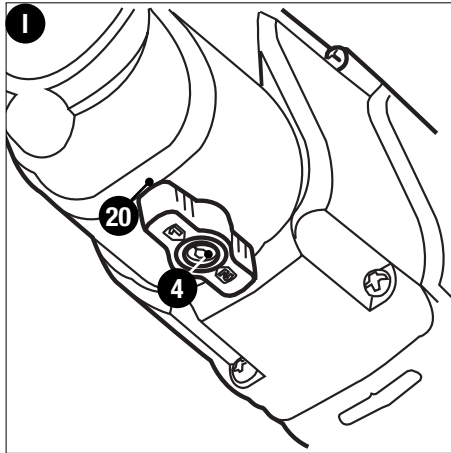
Calibre mínimo para cables prolongadores					
Voltios	Largo total del cable en pies				
120 V	0-25	26-50	51-100	101-150	
240 V	0-50	51-100	101-200	201-300	
Capacidad nominal en amperios					
Más de que	No más de que	Medida de conductor estadounidense			
0	- 6	18	16	16	14
6	- 10	18	16	14	12
10	- 12	16	16	14	12
12	- 16	14	12	No Recomendado	

## DESCRIPCIÓN DE LAS FUNCIONES

1. Interruptor de velocidad variable
2. Botón de bloqueo
3. Interruptor deslizable de avance y reversa
4. Selector de dos engranajes
5. Selector de modo de taladrado
6. Portabrocas
7. Llave de portabrocas
8. Tope de profundidad
9. Mango lateral
10. Sujetador para cinturón
11. Extracción Fast Drive Portabrocas
12. Almacenamiento de brocas







### ⚠ Instrucciones y advertencias de seguridad: Taladros

⚠ **ADVERTENCIA: Riesgo de descarga eléctrica. Cuando perforo o atornille en paredes, pisos o lugares en los que puede haber cables eléctricos con corriente, NO TOQUE LAS PARTES METÁLICAS DE LA HERRAMIENTA. Sujete la herramienta sólo mediante los mangos de plástico para evitar descargas eléctricas.**

- Cuando taladre manualmente, no bloquee la herramienta en la posición ON (de encendido). Consulte la sección Instrucciones de operación: Interruptor.
- **Sostenga el taladro firmemente con ambas manos para controlar su torsión. Si su equipo está equipado con un mango lateral, úselo siempre.**
- ⚠ **ADVERTENCIA:** El taladro se puede atascar (si se sobrecarga o se usa inadecuadamente) y provocar una torsión. Siempre espere el atascamiento. Sujete el taladro con firmeza para controlar la torsión y evitar la pérdida de control que podría ocasionar lesiones personales. En caso de que la herramienta se atasque, suelte el disparador inmediatamente y determine la causa del atascamiento antes de encenderla nuevamente.
- Cuando acople o retire accesorios del taladro, desenchúfelo siempre. Es importante que cuando acople accesorios al portabrocas del taladro asegure con firmeza el portabrocas mediante los tres orificios para evitar el deslizamiento de la broca. Cuando use un portabrocas sin llave, asegure manualmente con firmeza.

### Motor

Asegúrese de que el suministro de energía concuerde con lo marcado en la placa. CA de 120 voltios solamente significa que su herramienta funcionará con energía doméstica estándar de 60 Hz. No haga funcionar herramientas para corriente alterna (CA) con corriente directa (CD). Una capacidad nominal de CA/CD de 120 voltios significa que su herramienta funcionará con energía estándar de CA o CD de 60 Hz. Esta información está impresa en la placa. Un voltaje menor producirá pérdida de potencia y puede provocar sobrecalentamiento. Todas las herramientas Black & Decker se prueban en fábrica. Si esta herramienta no funciona, revise el suministro eléctrico.

### Ensamblaje

⚠ **ADVERTENCIA:** Para reducir el riesgo de lesión antes de ensamblar, asegúrese de que la herramienta esté apagada y desenchufada.

### Acoplamiento del mango lateral - FS6500HD, FS7000D, FS8000HD (fig. A)

Si su taladro está equipado con un mango lateral, se debe instalar adecuadamente para asegurar el control del taladro.

- Gire la agarradera en sentido contrario a las agujas del reloj hasta que pueda deslizar el mango lateral (9) en la parte delantera de la herramienta según se muestra.
- Rote el mango lateral a la posición deseada.
- Inserte el tope de seguridad (8) en el orificio de ensamblaje según se muestra (FS6500HD, FS8000HD).

- Ajuste el tope de seguridad como se describe en "Ajuste del tope de seguridad (FS6500HD, FS8000HD)".
- Para ajustar el mango lateral, gire la agarradera en el sentido de las agujas del reloj.

### Inserción de una broca u otro accesorio (figuras B y C)

- △ **ADVERTENCIA:** No tome la parte delantera del portabrocas y encienda la herramienta para ajustar las brocas (o cualquier otro accesorio). Cuando se cambian los accesorios, se pueden provocar daños al portabrocas y daños personales.
- △ **ADVERTENCIA:** Siempre asegúrese de que la broca esté fija antes de poner en funcionamiento la herramienta. Una broca floja puede ser expulsada de la herramienta y ocasionar lesiones personales.

#### Portabrocas sin llave (FS6000FD con sistema Fast Drive) (fig. B)

- Agarre la mitad posterior (13) con una mano, abra el portabrocas (6) y use la otra mano para girar el manguito frontal (14) en sentido contrario a las agujas del reloj.
- Introduzca el eje del accesorio en el portabrocas aproximadamente a 19 mm (3/4") de profundidad, centrado en las mordazas.
- Para asegurar el accesorio con firmeza, sostenga la mitad posterior del portabrocas y gire el manguito frontal en el sentido de las agujas del reloj visto desde el extremo del portabrocas.

#### Portabrocas sin llave con bloqueo del eje (FS6500HD, FS8000HD)

Esta herramienta está equipada con un mecanismo que bloquea el eje cuando la herramienta no está en funcionamiento. Este mecanismo es una condición normal que permite ajustar o aflojar el portabrocas con una sola mano mientras se sostiene el taladro con la otra.

- Para abrir el portabrocas (6), gire el manguito (13) en sentido contrario a las agujas del reloj.
- Introduzca el eje del accesorio en el portabrocas aproximadamente a 19 mm (3/4") de profundidad, centrado en las mordazas.
- Para asegurar firmemente, gire el manguito en el sentido de las agujas del reloj visto desde el extremo del portabrocas.

#### Portabrocas y llave (FS7000D) (fig. C)

- Para abrir el portabrocas (6), gire el anillo en sentido contrario a las agujas del reloj (visto desde el extremo del portabrocas).
  - Introduzca el eje del accesorio en el portabrocas aproximadamente a 19 mm (3/4") de profundidad, centrado en las mordazas.
  - Ajuste el anillo del portabrocas en forma manual. Coloque la llave del portabrocas (7) en cada uno de los tres orificios y ajuste con firmeza en el sentido de las agujas del reloj.
- NOTA:** Ajuste el portabrocas en los tres orificios para evitar el deslizamiento de la broca.

### Acoplamiento y extracción del portabrocas (fig. D, E, F, G)

#### Sistema de cambio de brocas Fast Drive (FS6000FD)

Una característica exclusiva del modelo **FS6000FD** es la capacidad para retirar el portabrocas en forma rápida y fácil. Este sistema permite dejar la broca en el portabrocas sin llave mientras se inserta otro accesorio, por ejemplo una broca para destornillador, en el eje hexagonal Fast Drive al mismo tiempo.

Para retirar el portabrocas:

1. Agarre el taladro y oprima los dos botones anaranjados en el anillo del portabrocas, como se muestra en la **figura D**.
2. Con los botones presionados, hale en forma recta hacia fuera.

Para volver a colocar el portabrocas:

1. Empuje el portabrocas Fast Drive en forma recta con un pequeño movimiento de torsión hasta que escuche que calza en su lugar.

Para insertar una broca para destornillador en el eje hexagonal Fast Drive, empuje la broca hacia adentro hasta que escuche que calza en su lugar. Para extraer la broca, sostenga el taladro como se muestra en la **figura E**. Presione el disco a resorte en forma uniforme con dos dedos y hale de la broca en forma recta hacia fuera.



**Portabrocas sin llave (FS6500HD, FS8000HD) (fig. F)**

- Abra el portabrocas (6) tanto como sea posible.
- Para quitar el tornillo de fijación para portabrocas (15), ubicado en el portabrocas, gírelo en el sentido de las agujas del reloj con un destornillador (rosca hacia la izquierda).
- Ajuste una llave Allen (16) de 6,35 mm (1/4") o de un tamaño mayor (no suministrada) en el portabrocas y golpéela con un martillo liviano (17) en el sentido de las agujas del reloj según se muestra.
- Retire la llave Allen.
- Para retirar el portabrocas, gírelo en sentido contrario a las agujas del reloj.
- Para acoplar el portabrocas, atorníllelo en el eje y asegúrelo con un tornillo de fijación para portabrocas.

**Portabrocas con llave (FS7000D) (fig. G)**

**NOTA:** Antes de intentar retirar el portabrocas, cambie al modo de taladrado (no lo deje en el modo de percusión, si viene equipado).

- Coloque la llave de portabrocas (7) en cualquiera de los tres agujeros del portabrocas (6).
- Con un martillo liviano (17), golpee la llave en el sentido de las agujas del reloj. Esto aflojará el tornillo (15) dentro del portabrocas.
- Para quitar el tornillo de fijación ubicado en el portabrocas, abra el portabrocas por completo y gire el tornillo en el sentido de las agujas del reloj con un destornillador (rosca hacia la izquierda).
- Coloque la llave en el portabrocas. Con un martillo liviano (17), golpee con fuerza la llave en sentido contrario a las agujas del reloj.
- Para retirar el portabrocas, gírelo en sentido contrario a las agujas del reloj.
- Para acoplar el portabrocas, atorníllelo en el eje y asegúrelo con un tornillo de fijación para portabrocas.

**Sujetador para cinturón (FS6000FD, FS7000D)**

**⚠ ADVERTENCIA:** Cuando use un sujetador para cinturón (10) para transportar la herramienta, no deje un accesorio en el portabrocas.

**Instrucciones de operación**

**⚠ ADVERTENCIA:** Para reducir el riesgo de lesiones personales graves, lea, comprenda y siga todas las instrucciones y las advertencias de seguridad antes de usar la herramienta.

**⚠ ADVERTENCIA:** Es importante apoyar bien la pieza sobre la que se trabaja y sostener el taladro firmemente para evitar la pérdida de control, que podría provocar lesiones personales. Si tiene dudas acerca de cómo hacer funcionar adecuadamente la herramienta, llame al: **(55)5326-7100**.

**⚠ ADVERTENCIA:** No tome la parte delantera del portabrocas y encienda la herramienta para ajustar las brocas (o cualquier otro accesorio). Cuando se cambian los accesorios, se pueden provocar daños al portabrocas y daños personales.

**⚠ ADVERTENCIA:** Antes de realizar ajustes o cambiar accesorios, desenchufe siempre el taladro de la fuente de energía para reducir el riesgo de lesiones.

**⚠ ADVERTENCIA:** Para reducir el riesgo de lesiones, permita que la herramienta trabaje a su propio ritmo. No la sobrecargue.

**Selección de la dirección de rotación (FS6000FD, FS6500HD)**

Para taladrar y ajustar tornillos, aplique la dirección de avance (rotación en el sentido de las agujas del reloj). Para aflojar tornillos y retirar una broca atascada, aplique la dirección reversa (rotación en sentido contrario a las agujas del reloj).

Nota: La dirección de rotación también se describe mediante una flecha en la cubierta del taladro.

**⚠ ADVERTENCIA:** Nunca cambie la dirección de rotación con el motor en funcionamiento.

- Para seleccionar la rotación de avance, empuje el interruptor deslizante de avance y reversa (3) hacia la derecha (visto desde el extremo del portabrocas).
- Para seleccionar la rotación reversa, empuje el interruptor deslizante de avance y reversa (3) hacia la izquierda (visto desde el extremo del portabrocas).

### Selección de la dirección de rotación (FS7000D, FS8000HD)

Para taladrar y ajustar tornillos, aplique la dirección de avance (rotación en el sentido de las agujas del reloj). Para aflojar tornillos y retirar una broca atascada, aplique la dirección reversa (rotación en sentido contrario a las agujas del reloj).

⚠ **ADVERTENCIA:** Nunca cambie la dirección de rotación con el motor en funcionamiento.

- Para seleccionar la rotación de avance, empuje el interruptor deslizable de avance y reversa (3) hacia la izquierda (visto desde el extremo del portabrocas).
- Para seleccionar la rotación reversa, empuje el interruptor deslizable de avance y reversa (3) hacia la derecha (visto desde el extremo del portabrocas).

Nota: La dirección de rotación también se describe mediante una flecha en la cubierta del taladro.

⚠ **ADVERTENCIA:** Nunca cambie la dirección de rotación con el motor en funcionamiento.

### Selección del modo de taladrado (FS6500HD, FS8000HD) (fig. H)

- Para perforar mampostería, ajuste el selector de modo de taladrado (5) en la posición del “símbolo de percusión” (18).
- Para perforar otros materiales y para atornillar, ajuste el selector de modo de taladrado (5) en la posición del “símbolo de taladrado” (19).

### Selector de dos engranajes (FS8000HD) (fig. I)

- Para perforar acero y para aplicaciones de atornillar, gire el selector de dos engranajes (4) a la posición 1 mediante la alineación del número con la marca en la cubierta (20) (primer engranaje). Cuando use brocas de diámetro más grande para perforar madera, también gire el selector de dos engranajes a la posición 1.
- Para perforar otros materiales que no sean acero y cuando use brocas de un diámetro más chico, gire el selector de dos engranajes (4) a la posición 2 mediante la alineación del número con la marca en la cubierta (20) (segundo engranaje).

### Ajuste de la profundidad de perforación (FS6500HD, FS8000HD)

- Gire la agarradera en sentido contrario a las agujas del reloj y afloje el mango lateral (9).
- Ajuste el tope de profundidad (8) en la posición deseada. La profundidad máxima de perforación es igual a la distancia entre la punta de la broca y el extremo frontal del tope de seguridad.
- Para ajustar el mango lateral, gire la agarradera en el sentido de las agujas del reloj.

### Encendido y apagado

- Para encender la herramienta, presione el interruptor de velocidad variable (1). La velocidad de la herramienta depende de cuánto presione el interruptor.
- Para que la herramienta funcione en forma continua, oprima el botón de bloqueo (2) y suelte el interruptor de velocidad variable. Esta opción sólo está disponible cuando se opera a máxima velocidad.
- Para apagar la herramienta, suelte el interruptor de velocidad variable. Para apagar la herramienta cuando está en funcionamiento continuo, oprima una vez más el interruptor de velocidad variable y suéltelo.

⚠ **ADVERTENCIA:** El taladro sólo puede ser bloqueado en la posición ON (de encendido) cuando está fijo en una base con prensa para taladro o algún otro dispositivo; **NUNCA CUANDO SE SOSTIENE CON LAS MANOS.** Nunca desenchufe la herramienta con el mecanismo de bloqueo activado. De hacerlo, la herramienta arrancará de inmediato la próxima vez que se la enchufe.

### Taladrado

- Cuando acople o retire accesorios del taladro, desenchúfelo siempre. Es importante que cuando acople accesorios al portabrocas del taladro asegure con firmeza el portabrocas mediante los tres orificios para evitar el deslizamiento de la broca. Cuando use un portabrocas sin llave, asegure manualmente con firmeza.
- Use solamente brocas para taladro afiladas.
- Sostenga y asegure el trabajo adecuadamente, según se indica en las instrucciones de seguridad.
- Utilice equipos de seguridad adecuados y necesarios, como se indica en las instrucciones de seguridad.

- Asegure y mantenga el área de trabajo, según se indica en las instrucciones de seguridad.
- Haga funcionar el taladro muy lentamente, con poca presión, hasta que el orificio producido sea tal que contenga la broca y evite que se deslice del mismo.
- Aplique presión en línea recta con la broca. Utilice presión suficiente para mantener la broca funcionando, pero no tanto como para ahogar el motor o ladear la broca.
- **Sostenga firmemente el taladro con las dos manos para controlar la torsión.**
- Se deben usar taladros (FS6500HD, FS7000D, FS8000HD) equipados con un mango lateral.
- **SI EL TALADRO SE ATASCÓ, NO INSISTA EN MOVER EL DISPARADOR DE ENCENDIDO Y APAGADO DEL TALADRO. ESTO PODRÍA DAÑAR EL TALADRO.**
- Para minimizar las posibilidades de atascamiento durante una perforación, disminuya la presión y taladre lentamente hasta la última parte del orificio.
- Mantenga el motor en funcionamiento mientras retira la broca de un orificio taladrado. Esto ayudará a reducir atascamientos.
- Enchufe el taladro. Asegúrese de que el interruptor encienda y apague el taladro.

### **Taladrado en madera**

Los orificios en madera se pueden realizar con las mismas brocas de taladro helicoidales que se usan para los metales o con brocas de pala. Estas brocas deben estar afiladas y se deben retirar con frecuencia mientras se taladra para limpiar las virutas de las ranuras.

### **Taladrado en metal**

Utilice un lubricante de corte cuando taladre metales. Las excepciones son el bronce y el hierro fundido que deben taladrarse en seco. Los lubricantes de corte que funcionan mejor son el aceite de corte sulfurizado o el aceite de grasa de cerdo.

### **Taladrado en mampostería (cambie al modo de percusión, si viene equipado)**

Utilice brocas para mampostería con puntas de carburo. Consulte la sección **Taladrado**. Mantenga una fuerza pareja sobre el taladro, pero que no sea tanta como para agrietar el material frágil. Un flujo de virutas uniforme y suave indica que se taladra a la velocidad adecuada.

## DETECCIÓN DE PROBLEMAS

### Problema

- La unidad no enciende.

### Causa posible

- Cable desenchufado.
- El interruptor deslizable de avance y reversa no está en la posición deseada.
- Fusible quemado.
- El interruptor automático está activado.
- El interruptor o el cable está dañado.

### Solución posible

- Enchufe la herramienta en un tomacorriente que funcione.
- Presione el interruptor deslizable de avance y reversa por completo hacia la izquierda o hacia la derecha.
- Reemplace el fusible quemado. (Si repetidamente el producto hace que el fusible del circuito se quemara, deje de utilizarlo inmediatamente y haga que le realicen mantenimiento en un centro de mantenimiento Black & Decker o en un centro de servicio autorizado.)
- Reinicie el interruptor automático. (Si repetidamente el producto hace que el fusible del circuito se active, deje de utilizarlo inmediatamente y haga que le realicen mantenimiento en un centro de mantenimiento Black & Decker o en un centro de servicio autorizado.)
- Haga que reemplacen el cable o el interruptor en un centro de mantenimiento Black & Decker o en un centro de mantenimiento autorizado.

Para conocer la ubicación del centro de mantenimiento más cercano a fin de recibir ayuda con su producto, visite nuestro sitio Web [www.blackanddecker.com](http://www.blackanddecker.com) o llame a la línea de ayuda de BLACK & DECKER al **(55)5326-7100**.

### **MANTENIMIENTO**

Utilice únicamente jabón suave y un trapo húmedo para limpiar la herramienta. Nunca permita que se introduzcan líquidos en la herramienta; nunca sumerja ninguna parte de la herramienta en ningún líquido.

**IMPORTANTE:** Para garantizar la SEGURIDAD y la CONFIABILIDAD del producto, la reparación, el mantenimiento y los ajustes deberán efectuarse en centros de servicio autorizado u otras organizaciones de servicio calificado, que utilicen siempre refacciones idénticas.

### **ACCESORIOS**

Los accesorios recomendados para emplearse con su herramienta, están a su disposición con el distribuidor o centro de servicio autorizado de su localidad. Si necesita ayuda en relación con los accesorios, por favor llame: **(55)5326-7100**

**⚠ ADVERTENCIA:** El uso de cualquier accesorio no recomendado para emplearse con esta herramienta puede ser peligroso.

### INFORMACIÓN DE MANTENIMIENTO

Todos los Centros de mantenimiento de Black & Decker cuentan con personal altamente capacitado dispuesto a brindar a todos los clientes un servicio eficiente y confiable en la reparación de herramientas eléctricas. Si necesita consejo técnico, reparaciones o piezas de repuesto originales de fábrica, póngase en contacto con el centro de mantenimiento de Black & Decker más cercano a su domicilio. Para ubicar su centro de servicio local, consulte la sección "Herramientas eléctricas" (Tools-Electric) de las páginas amarillas, llame al **(55)5326-7100** o visite nuestro sitio **www.blackanddecker.com**.

### GARANTÍA COMPLETA DE DOS AÑOS PARA USO EN EL HOGAR

Black & Decker (Estados Unidos) Inc. ofrece una garantía de dos años por cualquier defecto del material o de fabricación de este producto. El producto defectuoso se reparará o reemplazará sin costo alguno de dos maneras.

La primera opción, el reemplazo, es devolver el producto al comercio donde se lo adquirió (siempre y cuando se trate de un comercio participante). Las devoluciones deben realizarse conforme a la política de devolución del comercio (generalmente, entre 30 y 90 días posteriores a la venta). Le pueden solicitar comprobante de compra. Consulte en el comercio acerca de la política especial sobre devoluciones una vez excedido el plazo establecido.

La segunda opción es llevar o enviar el producto (con flete pago) a un Centro de mantenimiento propio o autorizado de Black & Decker para su reparación o reemplazo según nuestro criterio. Le pueden solicitar el comprobante de compra. Los Centros de mantenimiento autorizados y de propiedad de Black & Decker se detallan en la sección "Herramientas eléctricas" (Tools-Electric) de las páginas amarillas de la guía telefónica. Esta garantía no se extiende a los accesorios. Esta garantía le concede derechos legales específicos; usted puede tener otros derechos que pueden variar según el estado o la provincia. Si tiene alguna pregunta, comuníquese con el gerente del Centro de mantenimiento de Black & Decker de su zona. Este producto no está diseñado para uso comercial.

**REEMPLAZO GRATUITO DE LAS ETIQUETAS DE ADVERTENCIAS:** si sus etiquetas de advertencia se tornan ilegibles o faltan, llame al **(55)5326-7100** para que se le reemplacen gratuitamente.

### NOTA ESPECIAL DE GARANTÍA PARA CONTRATISTAS:

Los productos de marca FIRESTORM<sup>MC</sup> se ofrecen como herramientas de calidad superior para uso doméstico y llevan una GARANTÍA PARA USO DOMÉSTICO.

Estas herramientas son diseñadas, fabricadas y probadas para satisfacer o superar las necesidades del bricolero en la ejecución de proyectos y reparaciones en su casa y sus alrededores. El uso apropiado de esta herramienta le dará al dueño de casa una potencia y un desempeño superiores que durarán mucho más que la garantía de dos años. Sin embargo, si utiliza herramientas para su trabajo y usa productos de marca FIRESTORM<sup>MC</sup> o cualquiera de las herramientas para uso doméstico Black & Decker EN SU LUGAR DE TRABAJO, debería saber que NO PODRÁ SER CUBIERTO BAJO NUESTRA GARANTÍA.

## CAPACIDADES MÁXIMAS RECOMENDADAS

N° de catálogo	Tipo	Acero	Madera blanda	Madera dura	Mampostería
FS6000FD	Taladro de 9,5 mm (3/8")	Broca helicoidal de 9,5 mm (3/8")	31,7 mm (1 1/4")	25,4 mm (1")	N/C
FS6500HD	Taladro de percusión de 12,7 mm (1/2")	Broca helicoidal de 12,7 mm (1/2")	25,4 mm (1")	12,7 mm (1/2")	12,7 mm (1/2")
FS7000D	Taladro de 12,7 mm (1/2")	Broca helicoidal de 12,7 mm (1/2")	38,1 mm (1 1/2")	31,7 mm (1 1/4")	N/C
FS8000HD	Taladro de percusión de 12,7 mm (1/2")	Broca helicoidal de 12,7 mm (1/2")	38,1 mm (1 1/2")	31,7 mm (1 1/4")	12,7 mm (1/2")

**Para reparación y servicio de sus herramientas eléctricas, favor de dirigirse al Centro de Servicio más cercano:**

**CULIACAN, SIN**

Av. Nicolás Bravo #1063 Sur  
(667) 7 12 42 11  
Col. Industrial Bravo

**GUADALAJARA, JAL**

Av. La Paz #1779  
(33) 3825 6978  
Col. Americana Sector Juarez

**MEXICO, D.F.**

Eje Central Lázaro Cardenas  
No. 18  
(55) 5588 9377  
Local D, Col. Obrera

**MERIDA, YUC**

Calle 63 #459-A  
(999) 928 5038  
Col. Centro

**MONTERREY, N.L.**

Av. Francisco I. Madero  
No.831  
(81) 8375 2313  
Col. Centro

**PUEBLA, PUE**

17 Norte #205  
(222) 246 3714  
Col. Centro

**QUERETARO, QRO**

Av. Madero 139 Pte.  
(442) 214 1660  
Col. Centro

**SAN LUIS POTOSI, SLP**

Av. Universidad 1525  
(444) 814 2383  
Col. San Luis

**TORREON, COAH**

Blvd. Independencia, 96 Pte.  
(871) 716 5265  
Col. Centro

**VERACRUZ, VER**

Prolongación Díaz Mirón #4280  
(229)921 7016  
Col. Remes

**VILLAHERMOSA, TAB**

Constitución 516-A  
(993) 312 5111  
Col. Centro

**PARA OTRAS LOCALIDADES LLAME AL: (55) 5326 7100**

Vea "Herramientas  
eléctricas (Tools-Electric)"  
- Páginas amarillas -  
para Servicio y ventas



BLACK & DECKER S.A. DE C.V.  
BOSQUES DE CIDROS ACCESO RADIATAS NO. 42  
COL. BOSQUES DE LAS LOMAS.  
05120 MÉXICO, D.F.  
TEL. 55-5326-7100

**ESPECIFICACIONES**

**FS6000FD**

Tensión de alimentación: 120 V~ Potencia nominal: 446 W  
Frecuencia de operacion: 60 Hz Consumo de corriente: 6A

**FS6500HD**

Tensión de alimentación: 120 V~ Potencia nominal: 502 W  
Frecuencia de operacion: 60 Hz Consumo de corriente: 6,5A

**FS7000D**

Tensión de alimentación: 120 V~ Potencia nominal: 535 W  
Frecuencia de operacion: 60 Hz Consumo de corriente: 7A

**FS8000HD**

Tensión de alimentación: 120 V~ Potencia nominal: 558 W  
Frecuencia de operacion: 60 Hz Consumo de corriente: 8A



