



# 12, 14.4 & 18 Volt Cordless Drills

## INSTRUCTION MANUAL

Catalog Nos.  
FSD122K, FSD142K, FSD182K

BEFORE RETURNING THIS PRODUCT  
FOR ANY REASON PLEASE CALL

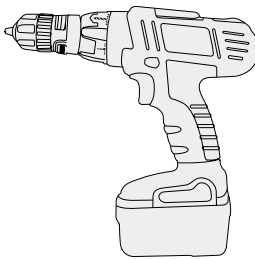
1-800-54-HOW-TO (544-6986)

IF YOU SHOULD EXPERIENCE A PROBLEM  
WITH YOUR BLACK & DECKER PRODUCT,  
CALL 1-800-54-HOW-TO (544-6986)

BEFORE YOU CALL, HAVE THE FOLLOWING INFORMATION AVAILABLE, CATALOG No., TYPE No., AND DATE CODE (e.g. 20000130M). IN MOST CASES, A BLACK & DECKER REPRESENTATIVE CAN RESOLVE YOUR PROBLEM OVER THE PHONE. IF YOU HAVE A SUGGESTION OR COMMENT, GIVE US A CALL. YOUR FEEDBACK IS VITAL TO BLACK & DECKER.

### KEY INFORMATION YOU SHOULD KNOW:

- Battery pack must be charged for at least 3 hours before initial use.



### SAVE THIS MANUAL FOR FUTURE REFERENCE.

VEA EL ESPAÑOL EN LA CONTRAPORTADA.

INSTRUCTIVO DE OPERACIÓN, CENTROS DE SERVICIO Y PÓLIZA DE GARANTÍA. **ADVERTENCIA:** LEASE ESTE INSTRUCTIVO ANTES DE USAR EL PRODUCTO.

Cat #'s FSD122K, FSD142K, FSD182K Form # 605975-00  
(AUG-01-2) Copyright © 2001 Black & Decker Printed in China

### General Safety Rules

**WARNING:** Read and understand all instructions. Failure to follow all instructions listed below may result in electric shock, fire and/or serious personal injury.

### SAVE THESE INSTRUCTIONS

#### Work Area

- **Keep your work area clean and well lit.** Cluttered benches and dark areas invite accidents.
- **Do not operate power tools in explosive atmospheres, such as in the presence of flammable liquids, gases, or dust.** Power tools create sparks which may ignite the dust or fumes. Use in well ventilated areas only.
- **Keep bystanders, children, and visitors away while operating a power tool.** Distractions can cause you to lose control.

#### Electrical Safety

- **Double insulated tools are equipped with a polarized plug (one blade is wider than the other.) This plug will fit in a polarized outlet only one way. If the plug does not fit fully in the outlet, reverse the plug. If it still does not fit, contact a qualified electrician to install a polarized outlet. Do not change the plug in any way.** Double insulation eliminates the need for the three wire grounded power cord and grounded power supply system.
- **Avoid body contact with grounded surfaces such as pipes, radiators, ranges and refrigerators.** There is an increased risk of electric shock if your body is grounded.
- **Don't expose power tools to rain or wet conditions.** Water entering a power tool will increase the risk of electric shock.
- **Do not abuse the cord. Never use the cord to carry the tools or pull the plug from an outlet. Keep cord away from heat, oil, sharp edges or moving parts. Replace damaged cords immediately.** Damaged cords increase the risk of electric shock.
- **When operating a power tool outside, use an outdoor extension cord marked "W-A" or "W."** These cords are rated for outdoor use and reduce the risk of electric shock.

#### Personal Safety

- **Stay alert, watch what you are doing and use common sense when operating a power tool. Do not use tool while tired or under the influence of drugs, alcohol, or medication.** A moment of inattention while operating power tools may result in serious personal injury.
- **Dress properly. Do not wear loose clothing or jewelry. Contain long hair. Keep your hair, clothing, and gloves away from moving parts.** Loose clothing, jewelry, or long hair can be caught in moving parts.
- **Avoid accidental starting. Be sure switch is off before plugging in.** Carrying tools with your finger on the switch or plugging in tools that have the switch on invites accidents.
- **Remove adjusting keys or wrenches before turning the tool on.** A wrench or key that is left attached to a rotating part of the tool may result in personal injury.
- **Do not overreach. Keep proper footing and balance at all times.** Proper footing and balance enables better control of the tool in unexpected situations.
- **Use safety equipment. Always wear eye protection.** Dust mask, non-skid safety shoes, hard hat, or hearing protection must be used for appropriate conditions.

#### Tool Use and Care

- **Use clamps or other practical way to secure and support the workpiece to a stable platform.** Holding the work by hand or against your body is unstable and may lead to loss of control.
- **Do not force tool. Use the correct tool for your application.** The correct tool will do the job better and safer at the rate for which it is designed.
- **Do not use tool if switch does not turn it on or off.** Any tool that cannot be controlled with the switch is dangerous and must be repaired.
- **Disconnect the plug from the power source before making any adjustments, changing accessories, or storing the tool.** Such preventative safety measures reduce the risk of starting the tool accidentally.
- **Store idle tools out of reach of children and other untrained persons.** Tools are dangerous in the hands of untrained users.
- **Maintain tools with care. Keep cutting tools sharp and clean.** Properly maintained tools, with sharp cutting edges are less likely to bind and are easier to control.

- **Check for misalignment or binding of moving parts, breakage of parts, and any other condition that may affect the tools operation. If damaged, have the tool serviced before using.** Many accidents are caused by poorly maintained tools.
- **Use only accessories that are recommended by the manufacturer for your model.** Accessories that may be suitable for one tool, may become hazardous when used on another tool.

#### Service

- **Tool service must be performed only by qualified repair personnel.** Service or maintenance performed by unqualified personnel could result in a risk of injury.
- **When servicing a tool, use only identical replacement parts. Follow instructions in the Maintenance section of this manual.** Use of unauthorized parts or failure to follow Maintenance Instructions may create a risk of electric shock or injury.

#### Specific Safety Rules

- **Hold tool by insulated gripping surfaces when performing an operation where the cutting tool may contact hidden wiring or its own cord.** Contact with a "live" wire will make exposed metal parts of the tool "live" and shock the operator.
- **When working on a ladder or on scaffolding be sure to lay the tool down on its side when not in use.** Some tools with large battery packs will stand upright but may be easily knocked over.

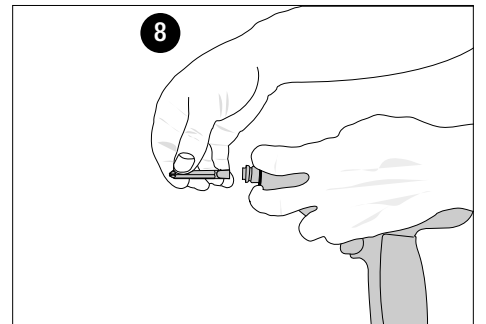
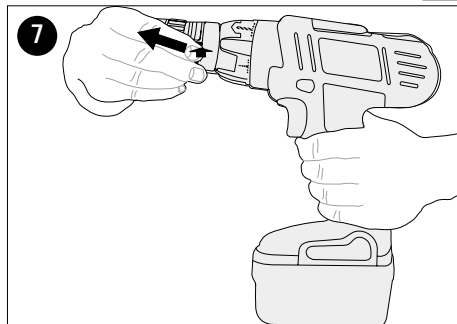
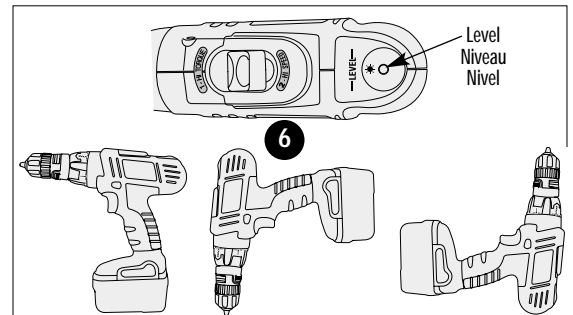
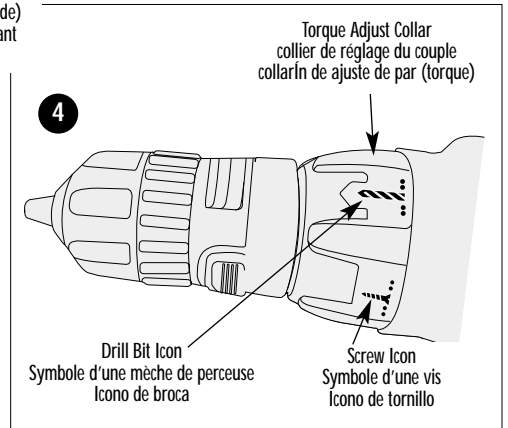
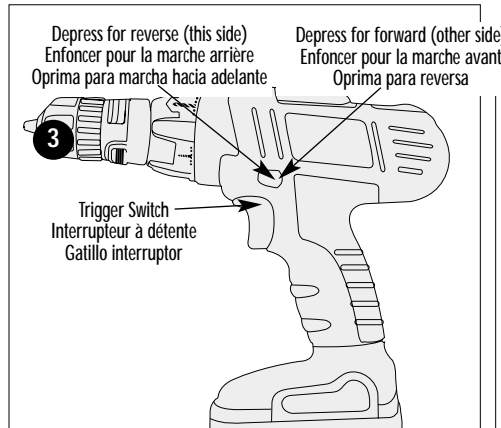
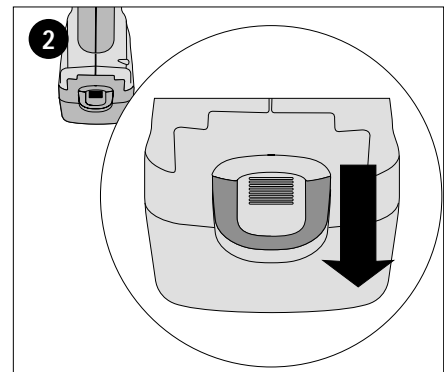
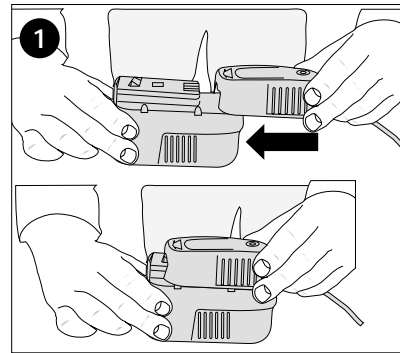
**WARNING:** Some dust created by power sanding, sawing, grinding, drilling, and other construction activities contains chemicals known to cause cancer, birth defects or other reproductive harm. Some examples of these chemicals are:

- lead from lead-based paints,
- crystalline silica from bricks and cement and other masonry products, and
- arsenic and chromium from chemically-treated lumber. (CCA)

Your risk from these exposures varies, depending on how often you do this type of work. To reduce your exposure to these chemicals: work in a well ventilated area, and work with approved safety equipment, such as those dust masks that are specially designed to filter out microscopic particles.

The label on your tool may include the following symbols.

V .....	volts	A .....	amperes
Hz .....	hertz	W .....	watts
min .....	minutes	~ .....	alternating current
— — — .....	direct current	n <sub>o</sub> .....	no load speed
□ .....	Class II Construction	⊕ .....	earthing terminal
⚠ .....	safety alert symbol	.../min .....	revolutions or reciprocations per minute



#### Charging the Battery

THE BATTERIES IN YOUR POWER PACK ARE NOT FULLY CHARGED AT THE FACTORY. BEFORE ATTEMPTING TO CHARGE THEM, THOROUGHLY READ ALL OF THE SAFETY INSTRUCTIONS.

The charger is designed to use standard household 120 volt 60 Hz power.

1. Plug the charger into any standard 120 Volt 60 Hz electrical outlet.
2. Slide the charger onto the battery pack as shown in Figure 1 and let it charge for at least 3 hours.
3. Remove pack from the charger and place in tool. **NOTE:** To remove the battery from the drill, press down on the release button on the back of the battery (Figure 2) and slide out.

#### Important Charging Notes

1. After normal usage, your power pack should be fully charged in 3 hours or less. If the power pack is run-down completely, it may take up to 6 hours to become fully charged. Your power pack was sent from the factory in an uncharged condition. Before attempting to use it, it must be charged for at least 3 hours.
2. DO NOT charge the batteries in an air temperature below +40°F or above +105°F. This is important and will prevent serious damage to the batteries.
3. While charging, the charger may hum and become warm to touch. This is a normal condition and does not indicate a problem.
4. If the batteries do not charge properly –
  - (1) Check current at receptacle by plugging in a lamp or other appliance.
  - (2) Check to see if the receptacle is connected to a light switch which turns power off

when you turn out the lights.

(3) Move charger and drill to a surrounding air temperature of +40°F to +105°F.

(4) If the receptacle and temperature are OK, and you do not get proper charging, take or send the tool and charger to your local Black & Decker service center. See "Tools Electric" in yellow pages.

- The battery should be recharged when it fails to produce sufficient power on the jobs which previously were done easily. DO NOT CONTINUE to use the drill with its battery in a depleted condition.
- To prolong battery life, avoid leaving the battery on charge for more than 2 days. Although overcharging is not a safety concern, it can significantly reduce overall battery life.
- Unplug your tool's battery charger from the power supply before disconnecting the charger from the battery. Under certain conditions, with the charger plugged in to the power supply, the exposed charging base can be shorted by foreign material and may create a fire hazard. Foreign materials of a conductive nature, such as but not limited to, steel wool, aluminum foil, or any build up of metallic particles should be kept away from the charging base. Unplug charger before attempting to clean.
- Do not use an inverter or generator to supply power to the charger.

## Operating Instructions

### TRIGGER SWITCH & REVERSING BUTTON - FIGURE 3

The drill is turned ON and OFF by pulling and releasing the trigger switch shown in Figure 3. The farther the trigger is depressed, the higher the speed of the drill. A forward/reverse control button determines the direction of the tool and also serves as a lock off button. To select forward rotation, release the trigger switch and depress the forward/reverse control button. To select reverse, depress the forward/reverse control button the opposite direction. The center position of the control button locks the tool in the off position. When changing the position of the control button, be sure the trigger is released.

### TORQUE CONTROL - FIGURE 4

To set the tool's torque, rotate the adjustable torque collar as required. There are 36 clutch settings in all. These are indicated by screw icons depicted on the torque collar. For light duty work when using small screws, set the collar to the smallest screw icon. Each click in a clockwise direction means an increase in the torque produced. The highest position is the drill mode and is indicated by a drill bit icon. In this position the clutch will not operate. This permits heavy duty drilling.

### DUAL RANGE GEARING - FIGURE 5 (FSD142K AND FSD182K ONLY)

The dual range feature of your drill allows you to shift gears for greater versatility. To select low speed, high torque setting (position 1), turn tool off and permit to stop. Push button forward towards the chuck. To select the high speed, low torque setting (position 2), turn tool off and permit to stop. Slide gear shifter back (away from chuck). NOTE: Do not change gears when tool is running. If you are having trouble changing gears, make sure that the dual range gear button is either completely pushed forward or completely pushed back.

### LEVEL - FIGURE 6

A unique leveling feature is built-in to your drill. To activate the level, depress the switch button slightly. NOTE: It is not necessary to turn the tool on to activate the level light. The light will illuminate when the drill is held LEVEL in the up, down and straight positions shown in Figure 6.

### KEYLESS CHUCK

To insert a drill bit or other accessory:

- Grasp the rear half of the chuck with one hand and use your other hand to rotate the front half in the counterclockwise direction, as viewed from the chuck end.
- Insert the bit or other accessory fully into the chuck, and tighten securely by holding the rear half of the chuck and rotating the front portion in the clockwise direction as viewed from the chuck end.

**⚠ WARNING:** Do not attempt to tighten drill bits (or any other accessory) by gripping the front part of the chuck and turning the tool on. Damage to the chuck and personal injury may occur when changing accessories.

### QUICK CONNECT™ BIT CHANGE SYSTEM- FIGURE 7

Another unique feature of your drill is the ability to remove the chuck quickly and easily. This allows for a drill bit to be in the keyless chuck, while another accessory such as a screwdriver bit, can be inserted into the Quick Connect™ hex shaft at the same time.

To remove the chuck:

- Grasp the drill and depress the two orange buttons on the chuck collar as shown in Figure 7.
- With the buttons depressed, pull straight out.

To replace the chuck:

- Push the quick connect chuck straight on with a slight twisting motion until you hear it click into place.

To insert a screwdriver bit into the Quick Connect™ hex shaft, push the bit in until you hear it click into place. To remove the bit, hold the drill as shown in figure 8. Push in evenly on the spring loaded disc with two fingers and pull the bit straight out.

### SCREW DRIVING

For driving fasteners, the reversing button should be pushed to the left. Use reverse (button pushed to the right) for removing fasteners. When moving from forward to reverse, or vice versa, always release the trigger switch first.

### ON BOARD BIT STORAGE

A magnetic bit storage slot is built-in to the area just above the battery. Up to two bits can be stored, one in the slot and one above it. **⚠ CAUTION:** When the battery is removed, the magnet is exposed in the cavity and can attract small metal objects if the drill is placed directly over them.

### DRILLING

- Use sharp drill bits only.
  - Support and secure work properly, as instructed in the Safety Instructions.
  - Use appropriate and required safety equipment, as instructed in the Safety Instructions.
  - Secure and maintain work area, as instructed in the Safety Instructions.
  - Run the drill very slowly, using light pressure, until the hole is started enough to keep the drill bit from slipping out of it.
  - Apply pressure in a straight line with the bit. Use enough pressure to keep the bit biting but not so much as to stall the motor or deflect the bit.
  - Hold the drill firmly with two hands to control its twisting action.**
  - DO NOT CLICK THE TRIGGER OF A STALLED DRILL OFF AND ON IN AN ATTEMPT TO START IT. DAMAGE TO THE DRILL CAN RESULT.**
  - Minimize stalling on breakthrough by reducing pressure and slowly drilling through the last part of the hole.
  - Keep the motor running while pulling the bit out of a drilled hole. This will help reduce jamming.
  - Use a cutting lubricant when drilling metals. The exceptions are cast iron and brass which should be drilled dry. The lubricants that work best are sulphurized cutting oil or lard oil.
  - When using twist drill bits to drill holes in wood, it will be necessary to pull the bits out frequently to clear chips from the flutes.
  - Make sure switch turns drill on and off.**
- ⚠ WARNING:** It is important to support the work properly and to hold the drill firmly to prevent loss of control which could cause personal injury. If you have any questions on how to properly operate tool, call: **1-800-54-HOW-TO (544-6986)**.

### DRILLING IN WOOD

Holes in wood can be made with the same twist drill bits used for metal or with spade bits. These bits should be sharp and should be pulled out frequently when drilling to clear chips from the flutes.

### DRILLING IN METAL

Use a cutting lubricant when drilling metals. The exceptions are cast iron and brass which should be drilled dry. The cutting lubricants that work best are sulfurized cutting oil or lard oil.

### DRILLING IN MASONRY

Use carbide tipped masonry bits. Refer to Drilling section. Keep even force on the drill but not so much that you crack the brittle material. A smooth, even flow of dust indicates the proper drilling rate.

## Maintenance

Use only mild soap and damp cloth to clean the tool. Never let any liquid get inside the tool; never immerse any part of the tool into a liquid.

An occasional application of a household oil to the Quick Connect™ hex shaft will help prevent rust.

**IMPORTANT:** To assure product SAFETY and RELIABILITY, repairs, maintenance and adjustment (other than those listed in this manual) should be performed by authorized service centers or other qualified service organizations, always using identical replacement parts.

## The RBRC™ Seal

The RBRC™ (Rechargeable Battery Recycling Corporation) Seal on the nickel-cadmium battery (or battery pack) indicates that the costs to recycle the battery (or battery pack) at the end of its useful life have already been paid by Black & Decker. In some areas, it is illegal to place spent nickel-cadmium batteries in the trash or municipal solid waste stream and the RBRC program provides an environmentally conscious alternative.



RBRC in cooperation with Black & Decker and other battery users, has established programs in the United States and Canada to facilitate the collection of spent nickel-cadmium batteries. Help protect our environment and conserve natural resources by returning the spent nickel-cadmium battery to an authorized Black & Decker service center or to your local retailer for recycling. You may also contact your local recycling center for information on where to drop off the spent battery, or call **1-800-8-BATTERY**.

## Accessories

Recommended accessories for use with your tool are available from your local dealer or authorized service center. If you need assistance regarding accessories, please call:

**1-800-54-HOW-TO (544-6986)**.

**⚠ WARNING:** The use of any accessory not recommended for use with this tool could be hazardous.

The following accessories should be used only in the sizes specified below:

**BITS, METAL DRILLING – Up to 3/8" (9.5mm); BITS, MASONRY DRILLING – Up to 3/8" (9.5mm); WOOD DRILLING – Up to 1/2" (12.7mm).**

## Service Information

All Black & Decker Service Centers are staffed with trained personnel to provide customers with efficient and reliable power tool service. Whether you need technical advice, repair, or genuine factory replacement parts, contact the Black & Decker location nearest you. To find your local service location, refer to the yellow page directory under "Tools—Electric" or call: **1-800-54-HOW TO. (544-6986)**

## Full Two-Year Home Use Warranty

Black & Decker (U.S.) Inc. warrants this product for two years against any defects in material or workmanship. The defective product will be replaced or repaired at no charge in either of two ways.

The first, which will result in exchanges only, is to return the product to the retailer from whom it was purchased (provided that the store is a participating retailer). Returns should be made within the time period of the retailer's policy for exchanges (usually 30 to 90 days after the sale). Proof of purchase may be required. Please check with the retailer for their specific return policy regarding returns that are beyond the time set for exchanges.

The second option is to take or send the product (prepaid) to a Black & Decker owned or authorized Service Center for repair or replacement at our option. Proof of purchase may be required. Black & Decker owned and authorized Service Centers are listed under "Tools-Electric" in the yellow pages of the phone directory.

This warranty does not apply to accessories. This warranty gives you specific legal rights and you may have other rights which vary from state to state. Should you have any questions, contact the manager of your nearest Black & Decker Service Center.

This product is not intended for commercial use.

## SPECIAL WARRANTY NOTE TO CONTRACTORS:

FIRESTORM™ branded products are offered as high end consumer home use tools and carry a **HOME USE WARRANTY**. These tools are designed, manufactured and tested to meet or exceed the needs of the do-it-yourselfer in the execution of projects and repairs in and around the home. With proper use they will provide the home owner with step up power and performance well beyond their two year warranty. However, if you use tools for a living and use FIRESTORM™ branded products or any of Black & Decker's other Consumer Home Use tools **ON THE JOBSITE** you should know that they **CANNOT BE COVERED UNDER OUR WARRANTY**.

Imported by  
Black & Decker (U.S.) Inc.,  
701 E. Joppa Rd.  
Towson, MD 21286 U.S.A.



See "Tools-Electric"  
– Yellow Pages –  
for Service & Sales



AVANT DE RETOURNER LE PRODUIT, PEU IMPORTE LA RAISON PRIÈRE DE COMPOSER  
1 800 544-6986

## RENSEIGNEMENTS IMPORTANTS

- Il faut charger l'ensemble de piles pendant trois heures avant de s'en servir

## IMPORTANTES MESURES DE SÉCURITÉ - POUR TOUS LES OUTILS ALIMENTÉS PAR PILES

**⚠ AVERTISSEMENT!** Lire et comprendre toutes les directives. Le non-respect de toutes les directives suivantes présente des risques de secousses électriques, d'incendie ou de blessures graves.

CONSERVER CES MESURES.

### ZONE DE TRAVAIL

- S'assurer que la zone de travail est propre et bien éclairée.** Des établis encombrés et des endroits sombres présentent des risques d'accidents.
- Ne pas utiliser des outils électriques en présence de vapeurs explosives (comme celles dégagées par des liquides, des gaz ou des poussières inflammables).** Les étincelles générées par le moteur des outils électriques peuvent enflammer les poussières ou les vapeurs.
- Éloigner les curieux, les enfants et les visiteurs de la zone de travail lorsqu'on utilise un outil électrique.** Une distraction peut entraîner la perte de maîtrise de l'outil.

### MESURES DE SÉCURITÉ RELATIVES À L'ÉLECTRICITÉ

- Manipuler le cordon avec soin. Ne jamais se servir du cordon afin de transporter l'outil ni tirer sur le cordon pour débrancher l'outil. Éloigner le cordon des sources de chaleur, des flaques d'huile, des arêtes tranchantes et des pièces mobiles. Remplacer immédiatement les cordons endommagés.** Les cordons endommagés augmentent les risques de secousses électriques.
- Il faut charger un outil à piles intégrées ou un ensemble de piles seulement dans le chargeur conçu à cet effet.** Un chargeur convenant pour un type de piles peut présenter un risque d'incendie lorsqu'on s'en sert avec un autre type de piles.
- Utiliser un outil alimenté par piles seulement avec la pile appropriée.** L'utilisation de toute autre pile présente des risques d'incendie.

### SÉCURITÉ PERSONNELLE

- Demeurer vigilant, prendre soin et faire preuve de jugement lorsqu'on utilise un outil électrique. Ne pas s'en servir lorsqu'on est fatigué ou affaibli par des drogues, de l'alcool ou des médicaments.** De graves blessures peuvent résulter d'un moment d'inattention lors de l'utilisation d'un outil électrique.
- Porter des vêtements appropriés. Éviter de porter des vêtements amples ou des bijoux. Recouvrir la chevelure si elle est longue. Éloigner les cheveux, les vêtements et les gants des pièces en mouvement** qui peuvent les happer.
- Éviter les démarrages accidentels. S'assurer que l'interrupteur est en position hors tension avant d'insérer la pile.** Afin d'éviter les risques de blessures, ne pas transporter l'outil avec le doigt sur l'interrupteur ni insérer la pile dans un outil dont l'interrupteur est en position sous tension.

• **Enlever les clés de réglage avant de mettre l'outil sous tension.** Une clé qui est laissée sur une pièce rotative de l'outil présente des risques de blessures.

• **Ne pas dépasser sa portée. Garder son équilibre en tout temps.** On s'assure d'une meilleure maîtrise de l'outil dans des situations imprévues grâce à une position stable et un bon équilibre.

• **Porter de l'équipement de sécurité. Toujours porter des lunettes de sécurité.** Dans certaines conditions, il faut porter des masques respiratoires, des chaussures antidérapantes, un casque de sécurité ou des protège-tympan.

#### UTILISATION ET ENTRETIEN DE L'OUTIL

• **Utiliser des pinces de serrage ou de tout autre moyen pratique afin de fixer et de soutenir la pièce à ouvrir sur une plate-forme stable.** La pièce est instable lorsqu'elle est retenue par la main ou le corps de l'utilisateur. Cela présente des risques de perte de maîtrise de l'outil.

• **Ne pas forcer l'outil. Utiliser l'outil approprié à la tâche.** L'outil approprié fonctionne mieux et sûrement lorsqu'on s'en sert à son rendement nominal.

• **Ne pas se servir de l'outil lorsque l'interrupteur est défectueux.** Le cas échéant, l'outil est dangereux et il faut le réparer.

• **Enlever la pile de l'outil ou placer celui-ci en position hors tension avant de le régler, d'en remplacer les accessoires ou de le ranger.** On minimise de la sorte le risque de démarrage accidentel de l'outil.

• **Ranger l'outil hors de portée des enfants et de toute autre personne qui n'en connaît pas le fonctionnement.** L'outil est dangereux entre les mains de ces personnes.

• **Lorsque la pile ne sert pas, l'éloigner de tout objet métallique (comme des trombones, des pièces de monnaie, des clés, des clous, des vis ou tout autre petit objets métalliques qui peut créer une connexion d'une borne à l'autre).** Lorsque les bornes sont court-circuitées, cela peut générer des étincelles, des brûlures ou un incendie.

• **Prendre soin des outils. S'assurer que les outils de coupe sont tranchants et propres.** Des outils bien entretenus à arêtes tranchantes ont moins tendance à se coincer et ils se maîtrisent mieux.

• **Vérifier l'alignement et les attaches des pièces mobiles, le degré d'usure des pièces ainsi que tout autre facteur susceptible de nuire au bon fonctionnement de l'outil. Faire réparer un outil endommagé avant de s'en servir.** Des outils mal entretenus sont la cause de nombreux accidents.

• **Utiliser seulement les accessoires recommandés par le fabricant.** Des accessoires qui conviennent à un outil peuvent présenter des risques avec un autre outil.

#### ENTRETIEN

• **Confier l'entretien de l'outil seulement à du personnel qualifié.** Le non-respect de la présente directive présente des risques de blessures.

• **Lors de l'entretien de l'outil, utiliser seulement des pièces de rechange identiques. Respecter les consignes relatives à l'entretien du présent guide d'utilisation.** Il y a risque de secousses électriques ou de blessures lorsqu'on utilise des pièces non autorisées ou lorsqu'on ne respecte pas les consignes relatives à l'entretien

#### MESURES DE SÉCURITÉ SPÉCIFIQUES

• **Saisir l'outil par ses surfaces de prises isolées lorsque l'outil peut entrer en contact avec des fils cachés.** En cas de contact avec un fil sous tension, les pièces métalliques de l'outil seront sous tension et l'utilisateur subira des secousses électriques.

• **Lorsqu'on est installé sur une échelle ou un échafaudage pour travailler, on doit déposer l'outil sur le côté lorsqu'on ne s'en sert plus.** Bien que certains outils munis d'un gros bloc-piles puissent être placés à la verticale, dans cette position, ils peuvent facilement être renversés.

L'étiquette de l'outil peut comporter les symboles suivants.

V .....	volts	A .....	ampères
Hz .....	hertz	W .....	watts
min .....	minutes	~ .....	courant alternatif
==== .....	courant continu	⓪ .....	sous vide
☐ .....	Construction de classe II	Ⓢ .....	borne de mise à la minute
⚠ .....	symbole d'avertissement	.../min .....	tours ou courses à la minute

#### CONSERVER CES MESURES.

#### CHARGEMENT DU BLOC-PILE

LE BLOC-PILE N'EST PAS COMPLÈTEMENT CHARGÉ EN USINE. IL IMPORTE DONC DE LIRE ATTENTIVEMENT TOUTES LES CONSIGNES DE SÉCURITÉ AVANT DE LE CHARGER.

Le chargeur est conçu pour être branché dans une prise résidentielle standard de 120 volts et de 60 Hz.

1. Brancher le chargeur dans une prise murale appropriée.
2. Faire glisser le bloc-pile dans le chargeur, tel qu'illustré à la figure 1, et le charger pendant 3 heures.
3. Retirer le bloc-pile du chargeur et l'insérer dans l'outil. REMARQUE : pour retirer le bloc-pile de la perceuse, appuyer sur le bouton de dégagement situé à l'arrière du bloc-pile (figure 2) et glisser ce dernier pour le dégager.

#### CONSEILS IMPORTANTS CONCERNANT LE CHARGEMENT

1. À la suite d'une utilisation normale, la perceuse devrait se charger complètement en 3 heures (ou moins). La perceuse n'est pas chargée au moment de quitter l'usine; on doit donc la charger pendant au moins 3 heures avant de l'utiliser.
2. Afin d'éviter d'endommager le bloc-pile, il est important de NE PAS le charger à des températures inférieures à +4,5 °C (+40 °F) ou supérieures à +40,5 °C (+105 °F).
3. Le chargeur peut émettre un bourdonnement ou devenir chaud au toucher durant le chargement. Cela est normal et n'indique pas la présence d'un problème.
4. Si le bloc-pile ne se charge pas normalement, il faut :
  - (1) vérifier l'alimentation de la prise en y enfichant une lampe ou un appareil,
  - (2) s'assurer que la prise n'est pas raccordée à un interrupteur qui coupe le courant lorsqu'on ferme les lumières,
  - (3) placer le chargeur et le la perceuse dans un endroit où la température ambiante est environ +4,5 °C (+40 °F) à +40,5 °C (+105 °F) ou, si le problème persiste,
  - (4) retourner l'outil et le chargeur au centre de service Black & Decker le plus près (les centres de service autorisés sont répertoriés dans les pages jaunes sous la rubrique «Outils - électriques»).

5. Le bloc-pile doit être rechargé lorsqu'il ne produit pas suffisamment de courant pour permettre à l'utilisateur de travailler normalement. On doit CESSER de l'utiliser dans de telles conditions.

6. On peut prolonger la durée du bloc-pile en évitant de le laisser dans le chargeur pendant plus de deux jours. Bien que la surcharge du bloc-pile ne soit pas un problème au niveau de la sécurité, cette pratique peut réduire de façon appréciable sa durée de vie.

7. Débrancher le chargeur de la source d'alimentation électrique avant de débrancher le bloc-pile du chargeur. Dans certaines conditions, lorsque le chargeur est enfiché, les raccords de charge à nu peuvent subir un court-circuit lorsqu'ils entrent en contact avec une matière étrangère et entraîner un risque d'incendie. Les matières conductives comme la laine d'acier, la feuille d'aluminium ou les particules métalliques, mais sans toutefois s'y limiter, doivent être tenues à l'écart des raccords de charge. Toujours débrancher le chargeur avant de le nettoyer.

#### Mode d'emploi

#### INTERRUPTEUR À GÂCHETTE ET BOUTON DE COMMANDE DE MARCHE ARRIÈRE – FIGURE 3

Enfoncer puis relâcher l'interrupteur à gâchette (fig. 3) pour démarrer et arrêter l'outil. Plus on enfonce l'interrupteur, plus la vitesse augmente.

Un bouton de commande de marche avant / arrière, qui sert aussi de bouton de verrouillage en position d'arrêt, détermine la direction de marche de l'outil. Pour sélectionner la position de marche avant, relâcher l'interrupteur à gâchette et enfoncer le bouton de commande.

Pour sélectionner la position de marche arrière, appuyer sur le même bouton pour choisir la direction opposée. La position centrale du bouton sert à verrouiller l'outil en position d'arrêt. On doit toujours relâcher la gâchette lorsqu'on change la position du bouton.

#### RÉGULATEUR DE COUPLE – FIGURE 4

Pour régler le couple de l'outil, tourner le collier de réglage de couple à la position voulue. Le collier comprend 36 positions d'embrayage; ces positions sont représentées par le symbole d'une vis sur le collier. Pour effectuer des travaux légers au moyen de petites vis, placer le collier au symbole représentant la plus petite vis. Le couple augmente chaque fois qu'on entend un déclic, lorsqu'on tourne le collier vers la droite. La vitesse la plus élevée, représentée par le symbole d'une mèche, est utilisée pour le mode perceuse. Le mécanisme d'embrayage ne fonctionne pas dans cette position, qu'on utilise pour percer des pièces épaisses.

#### BOUTON À DEUX VITESSES D'ENGRENAGE - FIGURE 5 (FSD142K, FSD182K)

Le bouton à deux vitesses d'engrenage permet de changer la vitesse d'engrenage, rendant ainsi l'outil encore plus polyvalent. Pour sélectionner la basse vitesse à couple élevé (position 1), arrêter l'outil et attendre qu'il s'arrête complètement, puis glisser le bouton vers l'avant en direction du mandrin. Pour sélectionner la haute vitesse à couple faible (position 2), arrêter l'outil et attendre qu'il s'arrête complètement, puis glisser le bouton vers l'arrière, dans la direction opposée du mandrin. **REMARQUE** : ne pas changer la vitesse d'engrenage lorsque l'outil est en marche. Si on éprouve de la difficulté à modifier cette dernière, s'assurer que le bouton est poussé complètement vers l'avant ou vers l'arrière, selon le cas.

#### NIVEAU – FIGURE 6

Un dispositif de mise à niveau unique est intégré à l'outil. Pour actionner le niveau, enfoncer légèrement l'interrupteur. **REMARQUE** : il n'est pas nécessaire de mettre l'outil en marche pour actionner le voyant du niveau. Le voyant s'allume lorsqu'on tient l'outil DE NIVEAU dans les positions droite, vers le haut et vers le bas, tel qu'illustré à la figure 6.

#### △ MANDRIN SANS CLÉ

Pour insérer une mèche ou tout autre accessoire, on doit :

1. saisir la partie arrière du mandrin d'une main et utiliser l'autre pour faire tourner la partie avant vers la gauche (lorsqu'on la regarde à partir de l'extrémité du mandrin);
2. insérer la mèche ou l'accessoire dans le mandrin et serrer fermement en saisissant la partie arrière du mandrin d'une main et en faisant tourner de l'autre la partie avant vers la droite (lorsqu'on la regarde à partir de l'extrémité du mandrin).

**AVERTISSEMENT** : ne pas tenter de serrer une mèche (ou tout autre accessoire) en saisissant la partie avant du mandrin et en mettant l'outil en marche; cela pourrait endommager le mandrin ou entraîner des blessures lorsqu'on change un accessoire.

#### MANDRIN À FIXATION RAPIDE QUICK CONNECT<sup>MC</sup> – FIGURE 7

La perceuse comprend également un dispositif qui permet de retirer le mandrin rapidement et facilement afin de pouvoir insérer une mèche de perceuse dans le mandrin sans clé et d'insérer en même temps un autre type d'accessoire, tel qu'une mèche de tournevis, dans la tige hexagonale Quick Connect<sup>MC</sup>.

Pour retirer le mandrin, on doit :

1. saisir la perceuse et enfoncer les deux boutons orange situés sur le collier du mandrin, tel qu'illustré à la figure 7;
2. sortir le mandrin en le tirant en ligne droite et en gardant les boutons enfoncés.

Pour remplacer le mandrin, il faut :

1. insérer le mandrin à fixation rapide en le poussant tout droit, puis en le tournant légèrement jusqu'à ce qu'il s'enclenche fermement.

Pour insérer une mèche de tournevis dans la tige hexagonale Quick Connect<sup>MC</sup>, la pousser jusqu'à ce qu'elle s'enclenche fermement. Pour la retirer, tenir la perceuse tel qu'illustré à la figure 8, puis pousser uniformément sur le disque à ressort avec deux doigts et sortir la mèche en la tirant en ligne droite.

#### MODE TOURNEVIS

Pour enfoncer des attaches, pousser le bouton de commande de marche arrière vers la gauche; pousser le bouton vers la droite pour les retirer. On doit toujours relâcher l'interrupteur à gâchette lorsqu'on change la position du bouton de la marche avant à la marche arrière, ou vice versa.

#### MODE PERÇAGE

• Utiliser des mèches aiguisées seulement.

• Bien soutenir et fixer la pièce, conformément aux consignes de sécurité.

• Utiliser le matériel de sécurité approprié, conformément aux consignes de sécurité.

• Garder la zone de travail propre et sécuritaire, conformément aux consignes de sécurité.

• Faire fonctionner la perceuse très lentement en exerçant une légère pression, jusqu'à ce que le trou soit suffisamment profond pour empêcher la mèche d'en sortir.

• Appliquer une pression en ligne droite au moyen de la mèche en exerçant juste assez de pression pour permettre à la mèche de mordre dans la pièce, en évitant de caler le moteur ou de faire dévier la mèche.

• Saisir fermement la perceuse des deux mains afin de maîtriser la torsion de cette dernière.

• **NE PAS ENFONCER ET RELÂCHER LA GÂCHETTE À PLUSIEURS REPRISES POUR ESSAYER DE REDÉMARRER LA PERCEUSE AFIN D'ÉVITER DE L'ENDOMMAGER.**

• Réduire les risques de calage au minimum en réduisant la pression lorsque la mèche perce le matériau et en perçant lentement la dernière section du trou.

• Maintenir le moteur en marche lorsqu'on retire la mèche du trou percé afin d'éviter qu'elle **△** reste coincée.

• Utiliser une huile de coupe pour percer des métaux, à l'exception de la fonte et du laiton, car ces derniers doivent être percés à sec. Les meilleurs lubrifiants sont l'huile sulfurée et l'huile de lard.

• Lorsqu'on utilise des mèches hélicoïdales pour percer des trous dans le bois, il faut sortir les mèches fréquemment pour enlever les copeaux restés coincés dans les cannelures.

• S'assurer que l'interrupteur peut mettre la perceuse en position de marche ou d'arrêt.

**AVERTISSEMENT** : il est important de bien immobiliser la pièce et de saisir fermement l'outil afin d'éviter de perdre la maîtrise, ce qui pourrait entraîner des blessures. Pour obtenir de plus amples renseignements sur le fonctionnement de cet outil, composer le **1 800 544-6986**.

#### PERÇAGE DU BOIS

On peut percer le bois au moyen des mèches hélicoïdales qu'on utilise pour le métal ou de mèches à vrille. On doit utiliser des mèches bien aiguisées et les sortir fréquemment pour enlever les copeaux restés coincés dans les cannelures.

#### PERÇAGE DU MÉTAL

Utiliser une huile de coupe lorsqu'on perce des métaux, à l'exception de la fonte et du laiton, car ces derniers doivent être percés à sec. Pour cette tâche, les meilleurs lubrifiants sont l'huile sulfurée et l'huile de lard.

#### PERÇAGE DE LA MAÇONNERIE

Utiliser des mèches à pointe carburée (voir la section « Mode perçage »). Maintenir une pression uniforme sur la perceuse, sans trop forcer pour éviter de fissurer les matériaux plus cassants. La vitesse choisie est appropriée lorsque la poussière est soulevée uniformément et régulièrement.

#### ENTRETIEN

N'utiliser que du savon doux et un chiffon humide pour nettoyer l'outil; ne jamais laisser de liquide pénétrer à l'intérieur de ce dernier et ne jamais l'immerger dans un liquide quelconque.

Une application occasionnelle d'huile domestique sur la tige hexagonale à fixation rapide Quick Connect<sup>MC</sup> aidera à prévenir la rouille.

**IMPORTANT** : pour assurer la SÉCURITÉ et la FIABILITÉ de cet outil, toutes les opérations de réparation, d'entretien et de réglage (autres que celles décrites aux présentes) doivent être effectuées par un centre de service autorisé ou qualifié; on ne doit utiliser que des pièces de rechange identiques.

#### SCEAU RBRC<sup>MC</sup>

Le sceau RBRC<sup>MC</sup> de la Rechargeable Battery Recycling Corporation apposé sur la pile au nickel-cadmium (ou le bloc-pile) indique que les coûts de recyclage de ce dernier à la fin de sa vie utile ont déjà été payés par Black & Decker. En certains endroits, la mise au rebut ou aux ordures municipales des piles au nickel-cadmium est illégale; le programme de «RBRC» constitue donc une solution des plus pratiques et écologiques.

La «RBRC», en collaboration avec Black & Decker et d'autres utilisateurs de piles, a mis sur



pie des programmes aux États-Unis et au Canada dans le but de faciliter la collecte des piles déchargées. Black & Decker encourage ses utilisateurs à participer à son programme de protection de l'environnement et de conservation des ressources naturelles en retournant les piles usagées à un centre de service autorisé Black & Decker ou chez un dépositaire local afin qu'elles puissent être recyclées. On peut en outre se renseigner auprès d'un centre de recyclage local pour connaître d'autres sites les acceptant, ou composer le 1 800 8-228-8379 pour obtenir de l'information sur le recyclage de ces piles dans sa région.

#### ACCESOIRES

Les accessoires recommandés pour chaque outil sont offerts chez les dépositaires locaux ou dans les centres de service autorisés. Pour obtenir plus d'information sur les accessoires, composer le 1 800 544-6986.

**⚠ AVERTISSEMENT** : l'usage d'un accessoire non recommandé peut présenter un danger. On ne doit utiliser que des accessoires ayant les dimensions précisées ci-dessous :  
MÈCHES À MÉTAL - jusqu'à 9,5 mm (3/8 po); MÈCHES À MAÇONNERIE - jusqu'à 9,5 mm (3/8 po); MÈCHES À BOIS - jusqu'à 12,7 mm (1/2 po)

#### INFORMATION SUR LES SERVICES

Tous les centres de service Black & Decker sont dotés de personnel qualifié en matière d'outillage électrique; ils sont donc en mesure d'offrir à leur clientèle un service efficace et fiable. Pour obtenir un conseil technique ou une pièce d'origine ou pour faire réparer un outil, on peut communiquer avec le centre Black & Decker le plus près. Pour obtenir le numéro de téléphone, consulter les pages jaunes sous la rubrique «Outils - électriques» ou composer le : 1 800 544-6986.

#### GARANTIE COMPLÈTE DE DEUX ANS POUR USAGE RÉSIDENTIEL

Black & Decker (U.S.) Inc. garantit ce produit pour une période de deux ans contre tout défaut de matériel ou de fabrication. Le produit défectueux sera réparé ou remplacé sans frais, suivant l'une des deux méthodes suivantes.

La première méthode consiste en un échange seulement. On doit retourner le produit au détaillant qui l'a vendu (pourvu qu'il s'agisse d'un détaillant participant), en respectant les délais stipulés dans sa politique relative aux échanges (normalement de 30 à 90 jours après la vente). Une preuve d'achat peut être requise. On doit vérifier la politique de retour du détaillant pour tout produit retourné après le délai prescrit pour les échanges.

La deuxième méthode consiste à apporter ou à envoyer le produit (prépayé) à un centre Black & Decker ou à un centre de service autorisé aux fins de réparation ou de remplacement, selon notre choix. Une preuve d'achat peut être requise. Les centres Black & Decker et les centres de service autorisés sont répertoriés dans les pages jaunes sous la rubrique «Outils - électriques».

Cette garantie ne s'applique pas aux accessoires. Elle confère des droits légaux particuliers à l'acheteur, mais celui-ci pourrait aussi bénéficier d'autres droits variant d'un territoire à l'autre. Toute question doit être adressée au gérant du centre Black & Decker le plus près.

Ce produit n'est pas destiné à un usage commercial.

#### REMARQUE À L'INTENTION DES ENTREPRENEURS CONCERNANT LA GARANTIE SPÉCIALE

Les produits de marque **FIRESTORM<sup>MC</sup>** sont des outils hauts de gamme destinés aux consommateurs et comportent une garantie pour usage résidentiel seulement. Ces outils sont conçus, fabriqués et mis à l'essai en vue de répondre aux besoins du bricoleur, ou de les dépasser, lorsque ce dernier réalise des projets ou effectue des réparations à l'intérieur ou à l'extérieur de sa résidence. Utilisés correctement, ces outils procurent à l'utilisateur un rendement et une puissance supérieurs qui excèdent de loin la période de garantie de deux ans. Par contre, tout outil utilisé à des fins commerciales ou tout produit de marque **FIRESTORM<sup>MC</sup>** ou tout autre produit Black & Decker réservé à un usage résidentiel, utilisé dans le cadre d'une activité reliée au travail, n'est pas couvert par la présente garantie.

Imported by / Importé par  
Black & Decker Canada Inc.  
100 Central Ave.  
Brockville (Ontario) K6V 5W6

Voir la rubrique "Outils électriques"  
des Pages Jaunes  
pour le service et les ventes.



ANTES DE DEVOLVER ESTE PRODUCTO POR CUALQUIER  
RAZON POR FAVOR LLAME

**326-7100**

#### INFORMACION CLAVE QUE DEBE SABER

- Cargue las baterías durante 3 horas antes de usar por vez primera.

#### REGLAS GENERALES DE SEGURIDAD - PARA TODAS LAS HERRAMIENTAS OPERADAS CON BATERÍAS

**⚠ ¡ADVERTENCIA!** LEA Y COMPRENDA TODAS LAS INSTRUCCIONES. No hacerlo puede originar riesgos de choque eléctrico, incendio y lesiones personales de gravedad.

#### CONSERVE ESTAS INSTRUCCIONES

##### ÁREA DE TRABAJO

- **Conserve su área de trabajo limpia y bien iluminada.** Las bancas amontonadas y las zonas oscuras propician los accidentes.
- **No opere herramientas eléctricas en atmósferas explosivas, como en presencia de líquidos, gases o polvos inflamables.** Las herramientas eléctricas producen chispas que pueden originar la ignición de los polvos o los vapores.
- **Conserve a observadores, niños y visitantes alejados mientras opera una herramienta eléctrica.** Las distracciones pueden ocasionar que pierda el control.

##### SEGURIDAD ELÉCTRICA

- **No maltrate el cable. Nunca utilice el cable para transportar la herramienta. Conserve el cable alejado de calor, aceite, bordes afilados o piezas móviles. Reemplace inmediatamente los cables dañados.** Los cables dañados pueden originar incendio.
- **Una herramienta de baterías con baterías integradas o por separado debe recargarse únicamente con el cargador especificado para esas baterías.** Un cargador que pueda adecuarse a un tipo de batería puede crear riesgos de incendio cuando se emplea con otra batería.
- **Utilice su herramienta de baterías únicamente con la batería especialmente diseñada para ella.** El empleo de otras baterías puede crear riesgos de incendio.

##### SEGURIDAD PERSONAL

- **Esté alerta, concéntrese en lo que está haciendo. Recorra al sentido común cuando opere una herramienta eléctrica.** No opere ninguna herramienta si se encuentra fatigado o bajo la influencia de drogas, alcohol o medicamentos. Un momento de desatención mientras se operan herramientas eléctricas puede ocasionar lesiones graves.
- **Vístase de manera adecuada. No tenga puestas ropas o artículos de joyería flojos. Cubra su cabello si lo tiene largo.** Conserve su cabello, sus ropas y guantes alejados de las piezas móviles. Las piezas de vestir flojas, las joyas y el cabello largo pueden resultar atrapados por las piezas móviles.
- **Evite el encendido accidental.** Asegúrese que el interruptor esté en posición de apagado antes de instalar la batería. Sostener una batería con el dedo en el interruptor o conectarla sin fijarse si el interruptor está en posición de encendido propicia los accidentes.
- **Retire las llaves de ajuste antes de encender la herramienta.** Una llave que se deja en una pieza giratoria puede ocasionar lesiones personales.
- **No se sobreexienda. Conserve siempre los pies bien apoyados, al igual que el equilibrio.** La posición correcta de los pies y el equilibrio permiten controlar mejor la herramienta en situaciones inesperadas.
- **Utilice equipo de seguridad. Siempre utilice protección en los ojos.** Se deben utilizar mascarillas contra polvo, zapatos antiderrapantes, casco o protectores para los oídos para tener las condiciones apropiadas.

##### USO Y CUIDADOS DE LA HERRAMIENTA

- **Utilice prensas u otros medios prácticos para asegurar y apoyar la pieza de trabajo en**

**una plataforma estable.** Sujetar las piezas con la mano o contra su cuerpo es inestable y puede originar la pérdida de control.

- **No fuerce la herramienta. utilice la herramienta adecuada para su aplicación.** La herramienta adecuada hará mejor el trabajo y de manera más segura bajo las especificaciones para las que se diseñó.
- **No utilice la herramienta si el interruptor no enciende y apaga.** Cualquier herramienta que no pueda controlarse por medio del interruptor es peligrosa y debe repararse.
- **Desconecte la batería de la herramienta o coloque el interruptor en posición de apagado antes de hacer cualquier ajuste, cambio de accesorios o de guardar la herramienta.** Tales medidas de seguridad preventivas reducirán el riesgo de que la herramienta se encienda accidentalmente.
- **Guarde las herramientas fuera del alcance de los niños y de otras personas no capacitadas.** Las herramientas son peligrosas en manos de personas no capacitadas.
- **Cuando no utilice la batería consérvela alejada de objetos metálicos como: clips, monedas, llaves, clavos, tornillos y otras piezas de metal que puedan establecer una conexión entre una terminal y otra.** Hacer corto en las terminales de la batería puede ocasionar chispas, quemaduras o incendios.
- **Cuide sus herramientas. Conserve las herramientas de corte afiladas y limpias.** Las herramientas que reciben un mantenimiento adecuado, con piezas de corte afiladas, difícilmente se atascan y son más fáciles de controlar.
- **Verifique la alineación de las piezas móviles, busque fracturas en las piezas y cualesquiera otras condiciones que puedan afectar la operación de las herramientas.** Si está dañada, lleve su herramienta a servicio antes de usarla de nuevo. Muchos accidentes se deben a herramientas con mantenimiento pobre.
- **Solamente use accesorios que el fabricante recomiende para su modelo de herramienta.** Los accesorios que estén diseñados para una herramienta, pueden volverse peligrosos cuando se emplean con otra.

#### SERVICIO

- **El servicio a las herramientas lo debe efectuar únicamente personal calificado.** El servicio o mantenimiento realizado por personal no calificado puede originar riesgos de lesiones.
- **Cuando efectúe servicio a una herramienta, utilice únicamente refacciones idénticas. Siga las instrucciones de la sección de Mantenimiento de este manual.** El empleo de piezas no autorizadas o no seguir las instrucciones de mantenimiento puede originar riesgos de choque eléctrico o lesiones.

#### REGLAS ESPECÍFICAS DE SEGURIDAD

- **Sujete la herramienta por las superficies aislantes cuando realice una operación en que la herramienta pueda hacer contacto con cableados ocultos.** Al hacer contacto con un cable "vivo", las partes metálicas de la herramienta se vuelven "vivas" y pueden originar un choque al operador.
- **Cuando trabaje en una escalera o una plataforma asegúrese de dejar la herramienta de lado cuando no la use.** Algunas herramientas con baterías grandes se paran sobre su base, pero se pueden volcar fácilmente.

La etiqueta de su herramienta puede incluir los siguientes símbolos.

V .....	volts	A .....	amperes
Hz .....	hertz	W .....	watts
min .....	minutos	~ .....	corriente alterna
==== .....	corriente directa	n <sub>o</sub> .....	velocidadsin carga
☐ .....	construcción clase II	⊕ .....	erminales de conexión a tierra
⚠ .....	símbolo de alerta seguridad	.../min .....	revoluciones o reciprocaciones porminuto

#### CONSERVE ESTAS INSTRUCCIONES

##### PARA CARGAR LA BATERÍA

EL GRUPO DE BATERÍAS NO ESTÁ COMPLETAMENTE CARGADO DE FÁBRICA. ANTES DE CARGAR LAS BATERÍAS, LEA A FONDO TODAS LAS INSTRUCCIONES DE SEGURIDAD.

El cargador está diseñado para corriente estándar casera de 120 voltios y 60 Hz.

1. Enchufe el cargador en un tomacorriente estándar de 120 Voltios 60 Hz
2. Deslice el cargador sobre el grupo de baterías como lo ilustra la Figura 1 y deje cargar por 3 horas.
3. Quite las baterías del cargador y colóquelas en la herramienta. NOTA: Para sacar la batería del taladro, oprima el botón de seguro en la parte posterior de la batería (Figura 2) deslizándolo hacia afuera.

##### NOTAS IMPORTANTES ACERCA DE LA CARGA

1. Después de uso normal, su taladro deberá estar completamente cargado en 3 horas o menos. El taladro fue enviado de fábrica sin cargar. Antes de comenzar a usarlo, debe cargarse durante mínimo 3 horas.
  2. NO cargue las baterías en temperaturas inferior a +40°F o superior a +105°F. Esto es importante y evitará serios daños a las baterías.
  3. El cargador y la batería puede emitir zumbidor o sentirse calientes al tacto durante la carga. Esto es una condición normal y no indica ningún problema.
  4. Si las baterías no cargan debidamente –
    - (1) Verifique la corriente en la toma enchufando una lámpara u otro aparato.
    - (2) Verifique si la toma está conectada a un interruptor que corte la corriente cuando apaga las luces.
    - (3) Lleve el cargador y el taladro a un lugar donde la temperatura del aire se encuentre entre +40°F y +105°F.
    - (4) Si el tomacorriente y la temperatura están en orden, y los problemas de la carga persisten, lleve o envíe la herramienta y el cargador a su centro de servicio Black & Decker local. Vea "Herramientas eléctricas" en las páginas amarillas.
  5. El taladro se debe recargar cuando éste no tiene suficiente potencia para realizar los trabajos que anteriormente se hacía con facilidad. NO CONTINUE usando el taladro con las baterías agotadas.
  6. Para prolongar la vida de las baterías, evite dejar cargando la herramienta por más de 2 días. Aunque el sobrecargar no es un problema de seguridad, puede reducir la vida de la batería de manera significativa.
  7. Desconecte el cargador de su herramienta de la corriente antes de desconectarlo de la batería. Bajo ciertas condiciones, con el cargador enchufado al tomacorriente, el enchufe de carga expuesto puede hacer cortacircuito con material extraño y crear un peligro de incendio. Cualquier material extraño de naturaleza conductiva, tal como lana de acero, papel de aluminio, o toda acumulación de partículas metálicas debe mantenerse alejado del enchufe de carga. Desenchufe el cargador antes de limpiar.
- Instrucciones de operación

##### INTERRUPTOR DE DISPARO & BOTÓN DE REVERSA - FIGURA 3

El taladro se PRENDE y APAGA al oprimir y soltar el interruptor de disparo según se ilustra en la Figura 3. Mientras más a fondo oprima el interruptor, mayor será la velocidad del taladro. El botón de control de marcha adelante/atrás determina la dirección en que gira la herramienta y también actúa como seguro. Para seleccionar la rotación hacia adelante, suelte el interruptor de disparo y oprima el botón de control. Para seleccionar la marcha atrás, oprima el botón de control en dirección contraria. La posición central del botón de control asegura la herramienta en posición apagado. Cuando cambie la posición del botón de control, asegúrese de que el interruptor de disparo se encuentre liberado.

##### CONTROL DE TORSIÓN - FIGURA 4

Para fijar la torsión de la herramienta, gire el collar de torsión de apriete según sea necesario. Hay 36 fijaciones de embrague en total. Estas se indican mediante iconos de tuerca dibujados en el collar de torsión de apriete. Para trabajos livianos que requieren tuercas pequeñas, fije el collar en el icono de la tuerca más pequeña. Cada "click" en dirección horaria significa un aumento en la torsión. La posición más alta es el modo taladro y se indica mediante un icono de broca. En esta posición el embrague no operará. Esto permite efectuar taladros de trabajo pesado.



## ENGRANAJE DE DOBLE ALCANCE - FIGURA 5 (FSD142K, FSD182K)

El dispositivo de doble alcance del taladro le permite cambiar los engranajes para mayor versatilidad. Para seleccionar la velocidad baja reglaje de mayor torsión (posición 1), apague la herramienta y deje que se detenga. Empuje el botón hacia el portabrocas. Para seleccionar velocidad baja, torsión y velocidad baja (posición 2) apague la herramienta y deje que se detenga. Deslice el cambiador de engranajes hacia atrás (lejos del portabroca).  
NOTA: No haga cambio de engranajes cuando la herramienta está funcionando. De tener problemas en cambiar los engranajes, asegúrese de que el botón de engranajes de doble alcance esté o completamente empujado hacia adelante o completamente empujado hacia atrás.

## NIVEL - FIGURA 6

El taladro viene incorporado con un dispositivo de nivelación único. Para activar el nivel, oprima levemente el botón interruptor. NOTA: No es necesario prender la herramienta para activar la luz del nivel. La luz iluminará cuando el taladro se mantenga en NIVEL en las posiciones arriba, abajo y recta, según se ilustra en la Figura 6.

## ▲ BROQUERO SIN LLAVE

Para insertar una broca u otro accesorio:

1. Agarre la mitad posterior del portabroca con una mano y use la otra para girar la mitad anterior en dirección antihoraria, visto desde el portabroca.
2. Inserte la broca u otro accesorio completamente en el portabroca, y apriete muy bien mientras sujeta la mitad posterior del portabroca y gira la porción frontal en dirección horaria, visto desde el portabroca.

**ADVERTENCIA:** No trate de apretar las brocas (u cualquier otro accesorio) agarrando la parte frontal del portabroca y prendiendo la herramienta. Esto podría dañar el portabrocas u ocasionar lesiones personales al hacer cambio de accesorios

## SISTEMA DE CAMBIO DE BROCA QUICK CONNECT™, - FIGURA 7

Otro dispositivo único de este taladro es la capacidad de quitar el portabroca en forma rápida y fácil. Esto permite que la broca se mantenga en el portabroca sin llave mientras que al mismo tiempo se inserta otro accesorio, una broca destornilladora p. ej., en la barra hexagonal Quick Connect™.

Para quitar el portabroca:

1. Tome el taladro y oprima lo dos botones color naranja que se encuentran en el collar del portabroca según se ilustra en la Figura 7.
2. Con los botones oprimidos, tire hacia afuera, en forma recta.

Para reponer el portabroca:

1. Empuje el portabroca Quick Connect en forma recta con un leve movimiento giratorio hasta que usted oiga "clic" y se asienta en su lugar.

Para insertar una broca destornilladora en la barra hexagonal Quick Connect™, empuje la broca hasta que usted oiga "clic" y se asienta en su lugar. Para quitar la broca, sujete el taladro según se ilustra en la Figura 8. Empuje hacia adentro uniformemente sobre el disco de resorte con dos dedos y saque la broca en forma recta hacia afuera.

## DES/ATORNILLADO TORNILLOS

Para atornillar sujetadores, se debe empujar el botón de reversa hacia la izquierda. Use el botón de reversa (empujado hacia la derecha) para quitar los sujetadores. Antes de mover el botón de adelante a reversa, o vice versa, suelte siempre el interruptor de gatillo primero.

## TALADRADO

- Use sólo brocas afiladas.
- Aseguro y apoye la pieza de trabajo adecuadamente, según se indica en las Instrucciones de seguridad.
- Use el equipo de seguridad apropiado requerido, según se indica en las Instrucciones de seguridad.
- Asegure y mantenga su área de trabajo según se indica en las Instrucciones de seguridad.
- Opere el taladro muy lentamente, presionando levemente, hasta que el hueco esté lo suficientemente definido para que la broca no se salga.
- Aplique presión alineada con la broca. Ejercer suficiente presión para que la broca permanezca en rotación, pero no demasiada con el fin de evitar que el motor se atasque o la broca se desvíe.
- Sujete firmemente el taladro para controlar la fuerza de torsión del taladro.
- **NO APRIETE EL INTERRUPTOR DE DISPARO EN LAS POSICIONES DE ENCENDIDO Y APAGADO CON EL FIN DE INTENTAR HACER FUNCIONAR LA BROCA ATORADA - ESTO PUEDE DAÑAR EL TALADRO**
- Minimice el atascamiento por atravesamiento mediante reducción de la presión y taladrado lento a través de la última parte del hueco.
- Mantenga el motor en funcionamiento al retirar la broca del interior de la perforación, de manera que evite su atascamiento.
- Use un lubricante para corte al taladrar metales. Las excepciones son el hierro colado y el latón, los cuales que deben perforarse en seco. Los lubricantes para corte que mejor funcionan son aceites sulfurizados para corte o manteca de cerdo.
- Cuando use brocas helicoidales para taladrar huecos en madera, será necesario sacar las brocas frecuentemente para retirar las virutas que se acumulan en sus ranuras.

- Asegúrese de que el interruptor prende y apaga el taladro.

▲ **ADVERTENCIA:** Es importante apoyar la pieza de trabajo adecuadamente y sujetar el taladro firmemente para evitar la pérdida de control que podría causar daño personal. Si tiene preguntas sobre como operar la herramienta adecuadamente, llame al: **326-7100**.

## TALADRADO EN MADERA

Los huecos en madera pueden efectuarse con las mismas brocas helicoidales usados para metal o con brocas de horquilla. Estas brocas deben ser afiladas y deben retirarse frecuentemente al taladrar para limpiar las virutas de las ranuras.

## TALADRADO EN METAL

Use un lubricante para corte al taladrar metales. Las excepciones son el hierro colado y el latón, los cuales que deben perforarse en seco. Los lubricantes para corte que mejor funcionan son aceites sulfurizados para corte o manteca de cerdo.

## TALADRADO EN ALBAÑILERÍA

Use brocas con puntas de carburo de tungsteno. Refiérase a la sección Taladrado. Ejercer una fuerza uniforme sobre el taladro, pero no tanto que se fracture el material quebradizo. Un flujo uniforme y suave de rebabas indica que se está taladrando a una velocidad adecuada.

## MANTENIMIENTO

Útilice solamente jabón suave y agua para limpiar la herramienta. Nunca permita que ningún líquido se introduzca dentro dentro de la misma; nunca sumerja ninguna parte de la herramienta dentro de ningún líquido.

Una aplicación ocasional de aceite casero a la barra hexagonal Quick Connect™ ayudará a prevenir el óxido".

**IMPORTANTE:** Para garantizar la SEGURIDAD y la FIABILIDAD del producto, las reparaciones, el mantenimiento y los ajustes (no enumerados en este manual), deberán ser realizados en los centros autorizados de servicio u otras organizaciones de servicio calificadas, utilizando siempre para ello accesorios originales.

## EL SELLO RBRC™

El sello RBRC™ (Rechargeable Battery Recycling Corporation) en las baterías de níquelcadmio, indica que el costo del reciclaje de la batería (o grupo de baterías), al final de su vida útil, ya ha sido pagado por Black & Decker. En algunas áreas es ilegal colocar las baterías de níquelcadmio desgastadas en la basura doméstica o en los basureros municipales y el programa RBRC™ proporciona una alternativa ambiental conveniente.

La RBCR, en cooperación con Black & Decker y otros usuarios de baterías, han establecido programas en los Estados Unidos para facilitar la recolección de baterías de níquelcadmio desgastadas. Al llevar sus baterías desgastadas de níquelcadmio a un centro de servicio autorizado Black & Decker o a su minorista local para el reciclaje de su batería, usted ayuda a proteger nuestro medio ambiente y a conservar nuestros recursos naturales. Usted puede comunicarse con el centro de reciclaje de su localidad para que le informen acerca de los lugares donde usted puede regresar las baterías desgastadas, o llame a 1-800-8-BATTERY.

## ACCESORIOS

Los accesorios que se recomiendan usar con su herramienta están disponibles donde su distribuidor o centro de servicio local. De necesitar asistencia para obtener un accesorio, favor llamar a: 1-800-54-HOW-TO (544-6986).

[symbol] **ADVERTENCIA:** Puede ser peligroso usar cualquier accesorio no recomendado.

Los accesorios siguientes deben usarse únicamente en los tamaños especificados a continuación:

BROÇAS, TALADRADO EN METAL – Hasta 3/8" (9.5mm); BROÇAS, TALADRADO EN ALBAÑILERÍA – Hasta 3/8" (9.5mm); TALADRADO EN MADERA – Hasta 1/2" (12.7mm).

## INFORMACIÓN ACERCA NUESTROS CENTROS DE SERVICIO

Todos los centros de servicio Black & Decker tienen personal entrenado para dar un servicio eficiente y confiable a las herramientas eléctricas de sus clientes. De necesitar orientación técnica, reparación, o repuestos originales de fábrica, diríjase al centro Black & Decker más cercano. Para hallar la ubicación del centro de servicio local, busque en las páginas amarillas de la guía telefónica bajo "Herramientas—Eléctricas" o llame a: **326-7100**

## GARANTÍA COMPLETA DE DOS AÑOS PARA USO DOMÉSTICO

Black & Decker (U.S.) Inc. garantiza este producto por dos años contra todo defect en material y fabricación. El producto defectuoso será reemplazado o reparado sin costo en algunas de las formas siguientes.

La primera, que resultará en intercambio solamente, será devolviendo el producto al distribuidor del cual fue comprado (siempre que la tienda sea un minorista participante). Las devoluciones deberán hacerse dentro del período que el minorista tiene por política de intercambio(generalemente de 30 a 90 días después de la venta). La prueba de compra podrá ser requerida. Favor infórmese con el minorista sobre la política específica de devolución en cuanto a devoluciones que hechos en fecha posterior al fijado para intercambios.

La segunda opción es llevar o enviar el producto (prepagado) a un centro de servicio Black & Decker o uno autorizado para reparaciones o reemplazo a nuestra discreción. La prueba de compra podrá ser requerida. Los centros de servicio Black & Decker o centros autorizado se anuncian bajo "Herramientas - Eléctricas" en las páginas amarillas de la guía telefónica.

Esta garantía no se aplica a los accesorios. Esta garantía le otorga a usted derechos legales específicos y otros derechos que pueden variar de estado en estado. Si tiene alguna pregunta, comuníquese con el gerente de su centro de servicio Black & Decker más cercano. Este producto no está destinado a uso comercial.

## NOTA ESPECIAL SOBRE GARANTÍA A LOS CONTRATISTAS:

Los productos de la marca FIRESTORM™ se ofrecen como herramientas para uso doméstico de alta calidad y vienen con garantía. Estas herramientas están diseñadas, fabricadas y probadas para llenar o exceder las necesidades de las personas que ejecutan proyectos o reparan objetos por su cuenta dentro de la casa. Con el suo adecuado brindan al dueño de casa un rendimiento y potencia mucho más allá de la garantía de dos años. Sin embargo, si usted utiliza herramientas para su sustento, y usa productos de marca FIRESTORM™ o cualquier otra herramienta casera de Black & Decker en el lugar de trabajo le informamos que en este caso las herramientas no están cubiertas bajo nuestra garantía.

## PARA REPARACION Y SERVICIO DE SUS HERRAMIENTAS ELECTRICAS FAVOR DE DIRIGIRSE AL CENTRO DE SERVICIO MAS CERCANO

CULIACAN  
Av. Nicolas Bravo #1063 Sur (91 671) 242 10

GAUDALAJARA  
Av. La Paz #1779 (91 3) 826 69 78

MEXICO  
Eje Lázaro Cárdenas No. 18 Local D, Col. Obrera 588-9377

MERIDA  
Calle 63 #459-A (91 99) 23 54 90

MONTERREY  
Av. Francisco I. Madero Pte. 1820-A (91 83) 72 11 25

PUEBLA  
17 Norte #205 (91 22) 46 37 14

QUERETARO  
Av. Madero 139 Pte. (91 42) 14 16 60

SAN LOUIS POTOSI  
Pedro Moreno #100 Centro (91 48) 14 25 67

TORREON  
Blvd. Independencia, 96 pte. (91 17) 16 52 65

VERACRUZ  
Prolongación Diaz Miron #4280 (91 29) 21 70 16

VILLAHERMOSA  
Constitucion 516-A (91 93) 12 53 17

## PARA OTRAS LOCALIDADES LLAME AL: 326 7100

### ESPECIFICACIONES

Cargador:  
INPUT: 120 V AC 60 HZ  
0.7 AMPS (NOM 0,7 A)  
OUTPUT: 0.8 AMPS DC  
(NOM 0,8 A)

Para servicio y ventas consulte  
"HERRAMIENTAS ELECTRICAS"  
en la sección amarilla.



IMPORTADO: BLACK & DECKER S.A. DE C.V.  
BOSQUES DE CIDROS ACCESO RADIATAS NO. 42  
COL. BOSQUES DE LAS LOMAS.  
05120 MÉXICO, D.F.  
TEL. 3-26-71-00

