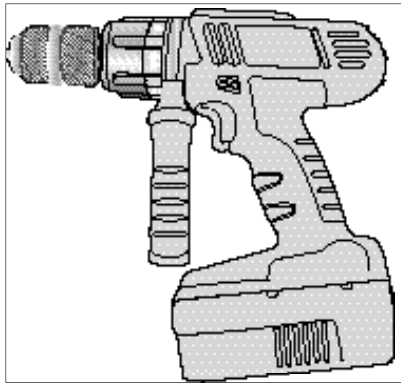




1/2"-13mm

24 Volt Cordless Hammer Drill

INSTRUCTION MANUAL



Cat. No. HPD2402

THANK YOU FOR CHOOSING BLACK & DECKER!
GO TO WWW.BLACKANDDECKER.COM/NEWOWNER
TO REGISTER YOUR NEW PRODUCT.

**BEFORE RETURNING THIS PRODUCT
FOR ANY REASON PLEASE CALL
1-800-544-6986**

BEFORE YOU CALL, HAVE THE CATALOG No. AND DATE CODE AVAILABLE. IN MOST CASES, A
BLACK & DECKER REPRESENTATIVE CAN RESOLVE THE PROBLEM OVER THE PHONE. IF YOU HAVE
A SUGGESTION OR COMMENT, GIVE US A CALL. YOUR FEEDBACK IS VITAL TO BLACK & DECKER.

**SAVE THIS MANUAL FOR FUTURE REFERENCE.
VEA EL ESPAÑOL EN LA CONTRAPORTADA.**

INSTRUCTIVO DE OPERACIÓN, CENTROS DE SERVICIO Y PÓLIZA
DE GARANTÍA. **ADVERTENCIA:** LÉASE ESTE INSTRUCTIVO ANTES
DE USAR EL PRODUCTO.

CAT. NO. HPD2402 FORM NO. 5146977-00 REV. 1 Copyright © 2006 Black & Decker (MAR-06) Printed in China

GENERAL SAFETY RULES - FOR ALL BATTERY OPERATED TOOLS

WARNING! READ AND UNDERSTAND ALL INSTRUCTIONS. Failure to follow all instructions listed below, may result in electric shock, fire and/or serious personal injury.

SAVE THESE INSTRUCTIONS

WORK AREA

- **Keep your work area clean and well lit.** Cluttered benches and dark areas invite accidents.
- **Do not operate power tools in explosive atmospheres, such as in the presence of flammable liquids, gases, or dust.** Power tools create sparks which may ignite the dust or fumes.
- **Keep bystanders, children, and visitors away while operating a power tool.** Distractions can cause you to lose control.

ELECTRICAL SAFETY

- **Do not abuse the cord. Never use the cord to carry the tool. Keep cord away from heat, oil, sharp edges or moving parts. Replace damaged cords immediately.** Damaged cords may create a fire.
- **A battery operated tool with integral batteries or a separate battery pack must be recharged only with the specified charger for the battery.** A charger that may be suitable for one type of battery may create a risk of fire when used with another battery.
- **Use battery operated tool only with specifically designated battery pack.** Use of any other batteries may create a risk of fire.

PERSONAL SAFETY

- **Stay alert, watch what you are doing and use common sense when operating a power tool. Do not use tool while tired or under the influence of drugs, alcohol, or medication.** A moment of inattention while operating power tools may result in serious personal injury.
- **Dress properly. Do not wear loose clothing or jewelry. Contain long hair. Keep your hair, clothing, and gloves away from moving parts.** Loose clothes, jewelry, or long hair can be caught in moving parts. Air vents cover moving parts and should be avoided.
- **Avoid accidental starting. Be sure switch is in the locked or off position before inserting battery pack.** Carrying tools with your finger on the switch or inserting the battery pack into a tool with the switch on invites accidents.
- **Remove adjusting keys or wrenches before turning the tool on.** A wrench or a key that is left attached to a rotating part of the tool may result in personal injury.
- **Do not overreach. Keep proper footing and balance at all times.** Proper footing and balance enable better control of the tool in unexpected situations.
- **Use safety equipment. Always wear eye protection.** Dust mask, non-skid safety shoes, hard hat, or hearing protection must be used for appropriate conditions.

TOOL USE AND CARE

- **Use clamps or other practical way to secure and support the workpiece to a stable platform.** Holding the work by hand or against your body is unstable and may lead to loss of control.
- **Do not force tool. Use the correct tool for your application.** The correct tool will do the job better and safer at the rate for which it is designed.
- **Do not use tool if switch does not turn it on or off.** A tool that cannot be controlled with the switch is dangerous and must be repaired.
- **Disconnect battery pack from tool or place the switch in the locked or off position before making any adjustments, changing accessories, or storing the tool.** Such preventative safety measures reduce the risk of starting the tool accidentally.
- **Store idle tools out of reach of children and other untrained persons.** Tools are dangerous in the hands of untrained users.
- **When battery pack is not in use, keep it away from other metal objects like: paper clips, coins, keys, nails, screws or other small metal objects that can make a connection from one terminal to another.** Shorting the battery terminals together may cause sparks, burns, or a fire.
- **Maintain tools with care. Keep cutting tools sharp and clean.** Properly maintained tools, with sharp cutting edge are less likely to bind and are easier to control.

- **Check for misalignment or binding of moving parts, breakage of parts, and any other condition that may affect the tool's operation. If damaged, have the tool serviced before using.** Many accidents are caused by poorly maintained tools.
- **Use only accessories that are recommended by the manufacturer for your model.** Accessories that may be suitable for one tool may create a risk of injury when used on another tool.

SERVICE

- **Tool service must be performed only by qualified repair personnel.** Service or maintenance performed by unqualified personnel may result in a risk of injury.
- **When servicing a tool, use only identical replacement parts. Follow instructions in the Maintenance section of this manual.** Use of unauthorized parts or failure to follow Maintenance Instructions may create a risk of shock or injury.

SPECIFIC SAFETY RULES

- **Hold tool by insulated gripping surfaces when performing an operation where the cutting tool may contact hidden wiring or its own cord.** Contact with a "live" wire will also make exposed metal parts of the tool "live" and shock the operator.
- **When working on a ladder or on scaffolding be sure to lay the tool down on its side when not in use.** Some tools with large battery packs will stand upright but may be easily knocked over.

WARNING: Some dust created by power sanding, sawing, grinding, drilling, and other construction activities contains chemicals known to cause cancer, birth defects or other reproductive harm. Some examples of these chemicals are:

- lead from lead-based paints,
- crystalline silica from bricks and cement and other masonry products, and
- arsenic and chromium from chemically-treated lumber (CCA).

Your risk from these exposures varies, depending on how often you do this type of work. To reduce your exposure to these chemicals: work in a well ventilated area, and work with approved safety equipment, such as those dust masks that are specially designed to filter out microscopic particles.

Avoid prolonged contact with dust from power sanding, sawing, grinding, drilling, and other construction activities. Wear protective clothing and wash exposed areas with soap and water. Allowing dust to get into your mouth, eyes, or lay on the skin may promote absorption of harmful chemicals.

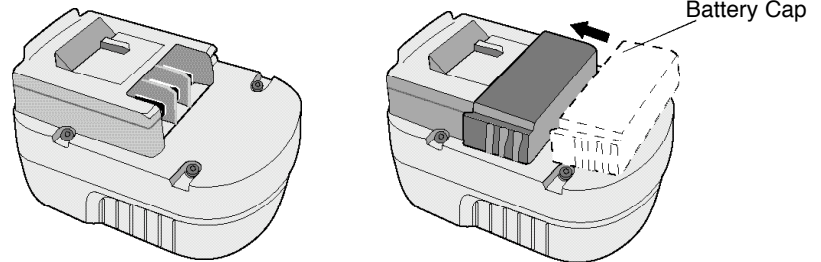
WARNING: Use of this tool can generate and/or disperse dust, which may cause serious and permanent respiratory or other injury. Always use NIOSH/OSHA approved respiratory protection appropriate for the dust exposure. Direct particles away from face and body.

The label on your tool may include the following symbols.

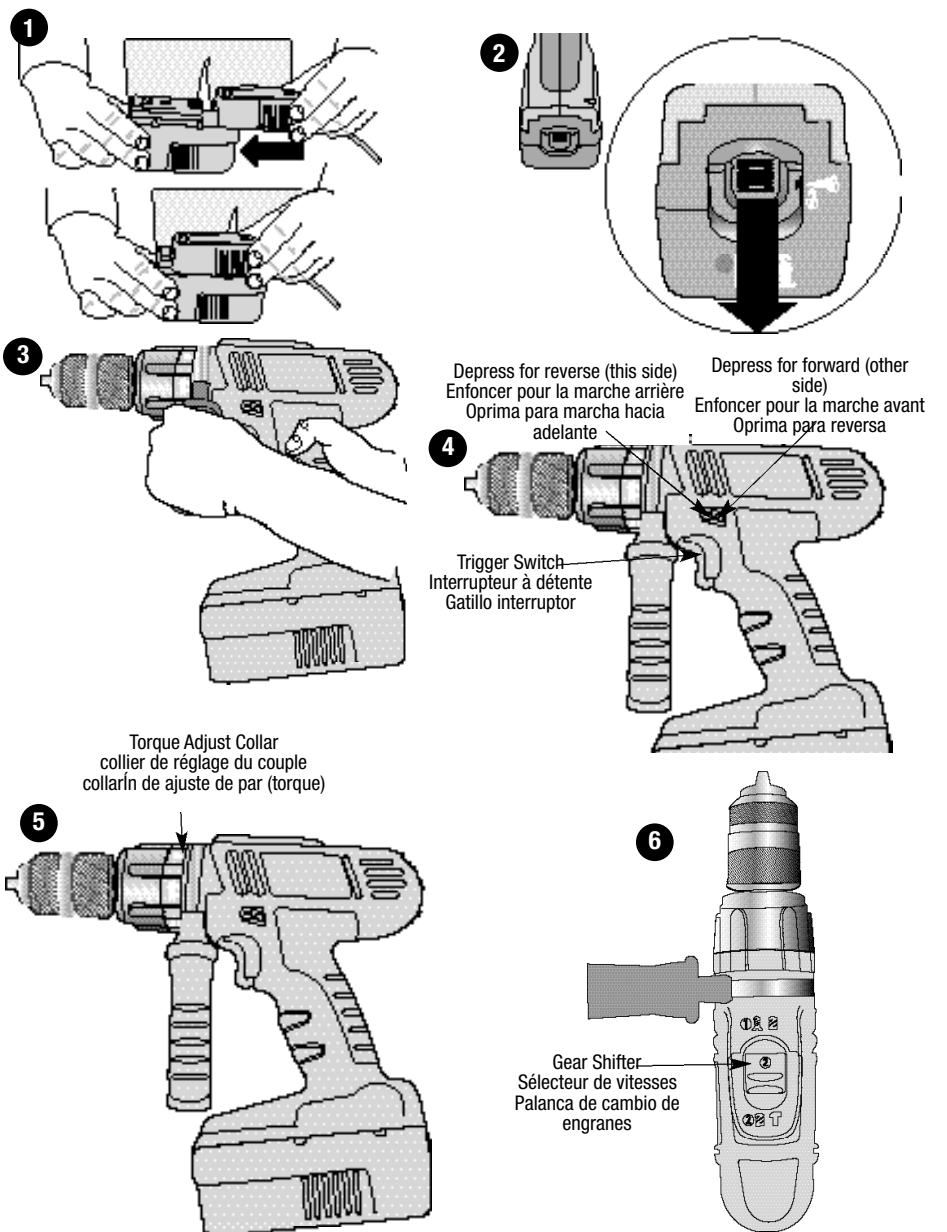
V	volts	A	amperes
Hz	hertz	W	watts
min	minutes	~	alternating current
—	direct current	n _o	no load speed
□	Class II Construction	⊕	earthing terminal
⚠	safety alert symbol	.../min	revolutions or reciprocations per minute

Battery Cap Information

Battery storage and carrying caps are provided for use whenever the battery is out of the tool or charger. Remove cap before placing battery in charger or tool.



WARNING: Do not store or carry battery so that metal objects can contact exposed battery terminals. For example, do not place battery in aprons, pockets, tool boxes, product kit boxes, drawers, etc. with loose nails, screws, keys, etc. without battery cap. Transporting batteries can possibly cause fires if the battery terminals inadvertently come in contact with conductive materials such as keys, coins, hand tools and the like. The US Department of Transportation Hazardous Material Regulations (HMR) actually prohibit transporting batteries in commerce or on airplanes (i.e. packed in suitcases and carryon luggage) UNLESS they are properly protected from short circuits. So when transporting individual batteries, make sure that the battery terminals are protected and well insulated from materials that could contact them and cause a short circuit.



⚠ Safety Warnings and Instructions: Charging

1. This manual contains important safety and operating instructions.
 2. Before using battery charger, read all instructions and cautionary markings on (1) battery charger, (2) battery, and (3) product using battery.
 3. ⚠ **CAUTION:** To reduce the risk of injury, charge only Black & Decker Power Packs. Other types of batteries may burst causing personal injury and damage.
 4. Do not expose charger to rain or snow.
 5. Use of an attachment not recommended or sold by Black & Decker may result in a risk of fire, electric shock, or injury to persons.
 6. To reduce risk of damage to electric plug and cord, pull by plug rather than cord when disconnecting charger.
 7. Make sure cord is located so that it will not be stepped on, tripped over, or otherwise subjected to damage or stress.
 8. An extension cord should not be used unless absolutely necessary. Use of improper extension cord could result in a risk of fire, electric shock or electrocution.
 - a. Two-wire cords can be used with 2-wire or 3-wire extension cords. Only round jacketed extension cords should be used, and we recommend that they be listed by Underwriters Laboratories (U.L.). If the extension is to be used outside, the cord must be suitable for outdoor use. Any cord marked for outdoor use can also be used for indoor work. The letters "W" or "WA" on the cord jacket indicate that the cord is suitable for outdoor use.
 - b. An extension cord must have adequate wire size (AWG or American Wire Gauge) for safety, and to prevent loss of power and overheating. The smaller the gauge number of the wire, the greater the capacity of the cable; that is, 16 gauge has more capacity than 18 gauge. When using more than one extension to make up the total length, be sure each extension contains at least the minimum wire size.
- | CHART FOR MINIMUM WIRE SIZE (AWG) OF EXTENSION CORDS | | | | | | |
|--|----|----|----|-----|-----|-----|
| NAMEPLATE RATING AMPS – 0 – 10.0 | | | | | | |
| Total Extension Cord Length (ft) | 25 | 50 | 75 | 100 | 125 | 150 |
| Wire Gauge | 18 | 18 | 16 | 16 | 14 | 14 |
9. Use only the supplied charger when charging your power pack. The use of any other charger could damage the power pack or create a hazardous condition.
 10. Use only one charger when charging.
 11. Do not attempt to open the charger or the drill. There are no customer serviceable parts inside. Return to any authorized Black & Decker service center.
 12. DO NOT incinerate the drill or battery packs even if they are severely damaged or completely worn out. The batteries can explode in a fire.
 13. A small leakage of liquid from the battery cells may occur under extreme usage, charging or temperature conditions. This does not indicate a failure. However, if the outer seal is broken and this leakage gets on your skin:
 - a. Wash quickly with soap and water.
 - b. Neutralize with a mild acid such as lemon juice or vinegar.
 - c. If the battery liquid gets in your eyes, flush them with clean water for a minimum of 10 minutes and seek immediate medical attention. **MEDICAL NOTE:** The liquid is a 25-35% solution of potassium hydroxide.

Charging the Power Pack

THE BATTERIES IN YOUR POWER PACK ARE NOT FULLY CHARGED AT THE FACTORY. BEFORE ATTEMPTING TO CHARGE THEM, THOROUGHLY READ ALL OF THE SAFETY INSTRUCTIONS.

The charger is designed to use standard household 120 volt 60 Hz power.

1. Plug the charger into any standard 120 Volt 60 Hz electrical outlet. **NOTE: Do not charge by means of an engine generator or DC power source. Use only 120V AC.**
2. Slide the charger onto the power pack as shown in **Figure 1** and let the power pack charge initially for **9 hours**. After the initial charge, under normal usage, your power pack should be fully charged in **3 to 6 hours**.
3. Unplug charger, and remove the power pack. **Place the power pack in the tool and be certain that it is inserted fully into the tool cavity until it "clicks" into place.** **NOTE:** To remove the power pack from the drill, press down on the release button on the back of the pack (**Figure 2**) and slide out.

Important Charging Notes

1. After normal usage, your power pack should be fully charged in 3 to 6 hours. If the power pack is run-down completely, it may take up to 6 hours to become fully charged. Your power pack was sent from the factory in an uncharged condition. Before attempting to use it, it must be charged for at least 9 hours.
2. DO NOT charge the power pack in an air temperature below +40°F (+4.5°C), or above +105°F (+40.5°C). This is important and will prevent serious damage to the power pack. Longest life and best performance can be obtained if power pack is charged when air temperature is about 75°F (24°C).
3. While charging, the charger may hum and become warm to touch. This is a normal condition and does not indicate a problem.
4. If the power pack does not charge properly—(1) Check current at receptacle by plugging in a lamp or other appliance. (2) Check to see if receptacle is connected to a light switch which turns power off when you turn out the lights. (3) Move charger and power pack to a surrounding air temperature of 40°F (+4.5°C) to 105°F (+40.5°C). (4) If the receptacle and temperature are OK, and you do not get proper charging, take or send the power pack and charger to your local Black & Decker service center. See Tools Electric in yellow pages.
5. The power pack should be recharged when it fails to produce sufficient power on jobs which were easily done previously. DO NOT CONTINUE using product with its power pack in a depleted condition.
6. To prolong power pack life, avoid leaving the power pack on charge for extended periods of time (over 30 days without use). Although overcharging is not a safety concern, it can significantly reduce overall power pack life.
7. The power pack will reach optimum performance after being cycled 5 times during normal usage. There is no need to run the batteries down completely before recharging. Normal usage is the best method of discharging and recharging the power pack.

Maintenance Stage

The trickle charge feature of the charger allows the power pack to remain in the charger and ready for use. With the charger connected to standard household current, the red charging indicator light will glow constantly. The charger will keep the power pack fully charged. A power pack will slowly lose its charge when kept out of the charger.

⚠ Safety Warnings and Instructions: Drills

1. As shown in **figure 3**, always hold drill firmly to control its twisting action. Make sure that the side handle is securely attached and hand tightened to the orange housing surface directly behind the torque adjust collar.
2. When attaching accessories in the drill chuck, hand tighten the keyless chuck firmly. ⚠ **WARNING:** Drill may stall (if overloaded or improperly used) causing a twist. Always expect the stall. Grip the drill firmly to control the twisting action (see **Fig. 3**) and prevent loss of control which could cause personal injury. If a stall does occur, release the trigger immediately and determine the reason for the stall before re-starting.


Operating Instructions

Trigger Switch & Reversing Button - Figure 4

The drill is turned ON and OFF by pulling and releasing the trigger switch shown in **Figure 4**. The farther the trigger is depressed, the higher the speed of the drill. A forward/reverse control button determines the direction of the tool and also serves as a lock off button. To select forward rotation, release the trigger switch and depress the forward/reverse control button. To select reverse, depress the forward/reverse control button the opposite direction. The center position of the control button locks the tool in the off position. When changing the position of the control button, be sure the trigger is released.

To rque Control - Figure 5

This tool is fitted with a collar to select the operating mode and to set the torque for tightening screws. Large screws and hard workpiece materials require a higher torque setting than small screws and soft workpiece materials.

- For drilling in wood, metal and plastics, set the collar to the drilling position symbol .
- For screwdriving, set the collar to the desired setting. If you do not yet know the appropriate setting, proceed as follows:
 - Set the collar to the lowest torque setting.
 - Tighten the first screw.
 - If the clutch ratchets before the desired result is achieved, increase the collar setting and continue tightening the screw. Repeat until you reach the correct setting. Use this setting for the remaining screws.

Dual Range Gearing - Figure 6

The dual range feature of your drill allows you to shift gears for greater versatility. To select position 1, turn tool off and permit to stop. Push button forward towards the chuck. Position 1 is for driving and removing screws and drilling in non-hammer mode. To select position 2, turn tool off and permit to stop. Slide gear shifter back (away from chuck). Position 2 is for drilling with hammer action. **NOTE:** Do not change gears when tool is running. If you are having trouble changing gears, make sure that the dual range gear button is either completely pushed forward or completely pushed back.

Keyless Chuck

To insert a drill bit or other accessory:

1. Grasp the rear half of the chuck with one hand and use your other hand to rotate the front half in the counterclockwise direction, as viewed from the chuck end.
2. Insert the bit or other accessory fully into the chuck, and tighten securely by holding the rear half of the chuck and rotating the front portion in the clockwise direction as viewed from the chuck end.

⚠ **WARNING:** Do not attempt to tighten drill bits (or any other accessory) by gripping the front part of the chuck and turning the tool on. Damage to the chuck and personal injury may occur when changing accessories.

Screw Driving

For driving fasteners, the reversing button should be pushed to the left. Use reverse (button pushed to the right) for removing fasteners. When moving from forward to reverse, or vice versa, always release the trigger switch first.

Drilling

- Use sharp drill bits only.
- Support and secure work properly, as instructed in the Safety Instructions.
- Use appropriate and required safety equipment, as instructed in the Safety Instructions.
- Secure and maintain work area, as instructed in the Safety Instructions.
- Run the drill very slowly, using light pressure, until the hole is started enough to keep the drill bit from slipping out of it.
- Apply pressure in a straight line with the bit. Use enough pressure to keep the bit biting but not so much as to stall the motor or deflect the bit.
- **Hold the drill firmly with two hands to control its twisting action.**
- DO NOT CLICK THE TRIGGER OF A STALLED DRILL OFF AND ON IN AN ATTEMPT TO START IT. DAMAGE TO THE DRILL CAN RESULT.
- Minimize stalling on breakthrough by reducing pressure and slowly drilling through the last part of the hole.
- Keep the motor running while pulling the bit out of a drilled hole. This will help reduce jamming.
- **Make sure switch turns drill on and off.**

⚠ **WARNING:** It is important to support the work properly and to hold the drill firmly to prevent loss of control which could cause personal injury. If you have any questions on how to properly operate tool, call: **1-800-54-HOW-TO (544-6986)**.

Drilling In Wood

Holes in wood can be made with the same twist drill bits used for metal or with spade bits. These bits should be sharp and should be pulled out frequently when drilling to clear chips from the flutes.

Drilling In Metal

Use a cutting lubricant when drilling metals. The exceptions are cast iron and brass which should be drilled dry. The cutting lubricants that work best are sulfurized cutting oil or lard oil.

Drilling in Masonry

Select position 2 for drilling with hammer action. Use carbide tipped masonry bits. Refer to Drilling section. Keep even force on the drill but not so much that you crack the brittle material. A smooth, even flow of dust indicates the proper drilling rate.

TROUBLESHOOTING		
Problem	Possible Cause	Possible Solution
• Unit will not start.	• Battery not installed properly. • Battery not charged.	• Check battery installation. • Check battery charging requirements.
• Battery will not charge.	• Battery not inserted into charger. • Charger not plugged in. • Surrounding air temperature too hot or too cold.	• Insert battery into charger until red LED appears. • Plug charger into a working outlet. Refer to "Important Charging Notes" for more details. • Check current at receptacle by plugging in a lamp or other appliance. • Check to see if receptacle is connected to a light switch which turns power off when you turn out the lights. • Move charger and tool to a surrounding air temperature of above 40 degree F (4, 5°C) or below 105 degree F (+40, 5°C).

For assistance with your product, visit our website www.blackanddecker.com for the location of the service center nearest you or call the BLACK & DECKER help line at **1-800-544-6986**.

Maintenance

Use only mild soap and damp cloth to clean the tool. Never let any liquid get inside the tool; never immerse any part of the tool into a liquid.

IMPORTANT: To assure product SAFETY and RELIABILITY, repairs, maintenance and adjustment (other than those listed in this manual) should be performed by authorized service centers or other qualified service personnel, always using identical replacement parts.

The RBRC™ Seal

The RBRC™ (Rechargeable Battery Recycling Corporation) Seal on the nickel-cadmium battery (or battery pack) indicates that the costs to recycle the battery (or battery pack) at the end of its useful life have already been paid by Black & Decker. In some areas, it is illegal to place spent nickel-cadmium batteries in the trash or municipal solid waste stream and the RBRC program provides an environmentally conscious alternative.

RBRC in cooperation with Black & Decker and other battery users, has established programs in the United States and Canada to facilitate the collection of spent nickel-cadmium batteries. Help protect our environment and conserve natural resources by returning the spent nickel-cadmium battery to an authorized Black & Decker service center or to your local retailer for recycling. You may also contact your local recycling center for information on where to drop off the spent battery, or call **1-800-8-BATTERY**.



Accessories

Recommended accessories for use with your tool are available from your local dealer or authorized service center. If you need assistance regarding accessories, please call: **1-800-54-HOW-TO (544-6986)**.

⚠ **WARNING:** The use of any accessory not recommended for use with this tool could be hazardous.

The following accessories should be used only in the sizes specified below:
BITS, METAL DRILLING – Up to 1/2"(12.7mm); BITS, MASONRY DRILLING – Up to 1/2"(12.7mm); WOOD DRILLING – Up to 1-1/2"(38.1mm) Soft Wood, 1-1/4"(31.7mm) Hard Wood.

Service Information

All Black & Decker Service Centers are staffed with trained personnel to provide customers with efficient and reliable power tool service. Whether you need technical advice, repair, or genuine factory replacement parts, contact the Black & Decker location nearest you. To find your local service location, refer to the yellow page directory under "Tools—Electric" or call: **1-800-544-6986 or visit www.blackanddecker.com**

Full Two-Year Home Use Warranty

Black & Decker (U.S.) Inc. warrants this product for two years against any defects in material or workmanship. The defective product will be replaced or repaired at no charge in either of two ways.

The first, which will result in exchanges only, is to return the product to the retailer from whom it was purchased (provided that the store is a participating retailer). Returns should be made within the time period of the retailer's policy for exchanges (usually 30 to 90 days after the sale). Proof of purchase may be required. Please check with the retailer for their specific return policy regarding returns that are beyond the time set for exchanges. The second option is to take or send the product (prepaid) to a Black & Decker owned or authorized Service Center for repair or replacement at our option. Proof of purchase may be required. Black & Decker owned and authorized Service Centers are listed under "Tools-Electric" in the yellow pages of the phone directory and on our website www.blackanddecker.com.

This warranty does not apply to accessories. This warranty gives you specific legal rights and you may have other rights which vary from state to state. Should you have any questions, contact the manager of your nearest Black & Decker Service Center. This product is not intended for commercial use.

FREE WARNING LABEL REPLACEMENT: If your warning labels become illegible or are missing, call 1-800-544-6986 for a free replacement.

Imported by
Black & Decker (U.S.) Inc.,
701 E. Joppa Rd.
Towson, MD 21286 U.S.A.



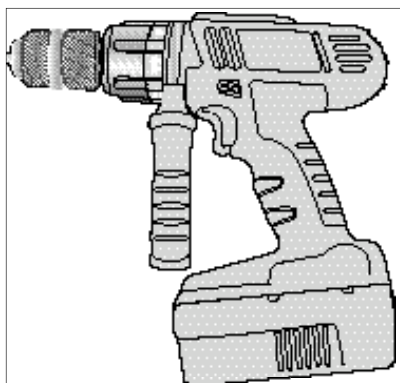
See 'Tools-Electric'
- Yellow Pages -
for Service & Sales



BLACK & DECKER

Marteau perforateur sans fil de 13 mm (1/2 po) de 24 volts

MODE D'EMPLOI



N° de catalogue
HPD2402

MERCI D'AVOIR CHOISI BLACK & DECKER !
VISITEZ WWW.BLACKANDDECKER.COM/NEWOWNER
POUR ENREGISTRER VOTRE NOUVEAU PRODUIT.

**AVANT DE RETOURNER CE PRODUIT POUR QUELQUE
RAISON QUE CE SOIT, COMPOSER LE
1-800-544-6986**

AVANT D'APPELER, AYEZ EN MAIN LE N° DE CATALOGUE ET LE CODE DE DATE. DANS LA PLUPART
DES CAS, UN REPRÉSENTANT DE BLACK & DECKER PEUT RÉSOUDRE LE PROBLÈME PAR
TÉLÉPHONE. SI VOUS AVEZ UNE SUGGESTION OU UN COMMENTAIRE, APPELEZ-NOUS. VOS
IMPRESSIONS SONT CRUCIALES POUR BLACK & DECKER.

CONSERVER CE MANUEL POUR UN USAGE ULTÉRIEUR.

IMPORTANTES MESURES DE SÉCURITÉ - POUR TOUS LES OUTILS ALIMENTÉS PAR PILES

AVERTISSEMENT! LIRE ET COMPRENDRE TOUTES LES DIRECTIVES. Le non-respect de toutes les directives suivantes présente des risques de secousses électriques, d'incendie ou de blessures graves.

CONSERVER CES MESURES.

ZONE DE TRAVAIL

- **S'assurer que la zone de travail est propre et bien éclairée.** Des établis encombrés et des endroits sombres présentent des risques d'accidents.
- **Ne pas utiliser des outils électriques en présence de vapeurs explosives (comme celles dégagées par des liquides, des gaz ou des poussières inflammables).** Les étincelles générées par le moteur des outils électriques peuvent enflammer les poussières ou les vapeurs.
- **Éloigner les curieux, les enfants et les visiteurs de la zone de travail lorsqu'on utilise un outil électrique.** Une distraction peut entraîner la perte de maîtrise de l'outil.

MESURES DE SÉCURITÉ RELATIVES À L'ÉLECTRICITÉ

- **Manipuler le cordon avec soin. Ne jamais se servir du cordon afin de transporter l'outil ni tirer sur le cordon pour débrancher l'outil. Éloigner le cordon des sources de chaleur, des flaques d'huile, des arêtes tranchantes et des pièces mobiles. Remplacer immédiatement les cordons endommagés.** Les cordons endommagés augmentent les risques de secousses électriques.
- **Il faut charger un outil à piles intégrées ou un ensemble de piles seulement dans le chargeur conçu à cet effet.** Un chargeur convenant pour un type de piles peut présenter un risque d'incendie lorsqu'on s'en sert avec un autre type de piles.
- **Utiliser un outil alimenté par piles seulement avec la pile appropriée.** L'utilisation de toute autre pile présente des risques d'incendie.

SÉCURITÉ PERSONNELLE

- **Demeurer vigilant, prendre soin et faire preuve de jugement lorsqu'on utilise un outil électrique. Ne pas s'en servir lorsqu'on est fatigué ou affaibli par des drogues, de l'alcool ou des médicaments.** De graves blessures peuvent résulter d'un moment d'inattention lors de l'utilisation d'un outil électrique.
- **Porter des vêtements appropriés. Éviter de porter des vêtements amples ou des bijoux. Recouvrir la chevelure si elle est longue. Éloigner les cheveux, les vêtements et les gants des pièces en mouvement qui peuvent les happer.**
- **Éviter les démarrages accidentels. S'assurer que l'interrupteur est en position hors tension avant d'insérer la pile.** Afin d'éviter les risques de blessures, ne pas transporter l'outil avec le doigt sur l'interrupteur ni insérer la pile dans un outil dont l'interrupteur est en position sous tension.

- **Enlever les clés de réglage avant de mettre l'outil sous tension.** Une clé qui est laissée sur une pièce rotative de l'outil présente des risques de blessures.
- **Ne pas dépasser sa portée. Garder son équilibre en tout temps.** On s'assure d'une meilleure maîtrise de l'outil dans des situations imprévues grâce à une position stable et un bon équilibre.
- **Porter de l'équipement de sécurité. Toujours porter des lunettes de sécurité.** Dans certaines conditions, il faut porter des masques respiratoires, des chaussures antidérapantes, un casque de sécurité ou des protège-tympans.

UTILISATION ET ENTRETIEN DE L'OUTIL

- **Utiliser des pinces de serrage ou de tout autre moyen pratique afin de fixer et de soutenir la pièce à ouvrir sur une plate-forme stable.** La pièce est instable lorsqu'elle est retenue par la main ou le corps de l'utilisateur. Cela présente des risques de perte de maîtrise de l'outil.
- **Ne pas forcer l'outil. Utiliser l'outil approprié à la tâche.** L'outil approprié fonctionne mieux et sûrement lorsqu'on s'en sert à son rendement nominal.
- **Ne pas se servir de l'outil lorsque l'interrupteur est défectueux.** Le cas échéant, l'outil est dangereux et il faut le réparer.
- **Enlever la pile de l'outil ou placer celui-ci en position hors tension avant de le régler, d'en remplacer les accessoires ou de le ranger.** On minimise de la sorte le risque de démarrage accidentel de l'outil.
- **Ranger l'outil hors de portée des enfants et de toute autre personne qui n'en connaît pas le fonctionnement.** L'outil est dangereux entre les mains de ces personnes.
- **Lorsque la pile ne sert pas, l'éloigner de tout objet métallique (comme des trombones, des pièces de monnaie, des clés, des clous, des vis ou tout autre petit objet métallique qui peut créer une connexion d'une borne à l'autre).** Lorsque les bornes sont court-circuitées, cela peut générer des étincelles, des brûlures ou un incendie.
- **Prendre soin des outils. S'assurer que les outils de coupe sont tranchants et propres.** Des outils bien entretenus à arêtes tranchantes ont moins tendance à se coincer et ils se maîtrisent mieux.
- **Vérifier l'alignement et les attaches des pièces mobiles, le degré d'usure des pièces ainsi que tout autre facteur susceptible de nuire au bon fonctionnement de l'outil. Faire réparer un outil endommagé avant de s'en servir.** Des outils mal entretenus sont la cause de nombreux accidents.
- **Utiliser seulement les accessoires recommandés par le fabricant.** Des accessoires qui conviennent à un outil peuvent présenter des risques avec un autre outil.

ENTRETIEN

- **Confier l'entretien de l'outil seulement à du personnel qualifié.** Le non-respect de la présente directive présente des risques de blessures.
- **Lors de l'entretien de l'outil, utiliser seulement des pièces de rechange identiques. Respecter les consignes relatives à l'entretien du présent guide d'utilisation.** Il y a un risque de secousses électriques ou de blessures lorsqu'on utilise des pièces non autorisées ou lorsqu'on ne respecte pas les consignes relatives à l'entretien.

MESURES DE SÉCURITÉ SPÉCIFIQUES

- **Saisir l'outil par ses surfaces de prises isolées lorsque l'outil peut entrer en contact avec des fils cachés.** En cas de contact avec un fil sous tension, les pièces métalliques de l'outil seront sous tension et l'utilisateur subira des secousses électriques.
- **Lorsqu'on est installé sur une échelle ou un échafaudage pour travailler, on doit déposer l'outil sur le côté lorsqu'on ne s'en sert plus.** Bien que certains outils munis d'un gros bloc-piles puissent être placés à la verticale, dans cette position, ils peuvent facilement être renversés.
- **AVERTISSEMENT : Certaines poussières produites par les activités de ponçage, de sciage, de meulage, de perçage et autres activités de construction peuvent contenir des produits chimiques pouvant causer le cancer, des anomalies congénitales ou d'autres problèmes liés aux fonctions reproductrices. Voici quelques exemples de ces produits chimiques :**

- le plomb contenu dans les peintures à base de plomb;
- la silice cristalline de la brique, du ciment et d'autres produits de maçonnerie; et
- l'arsenic de cuivre et de chrome provenant du bois traité chimiquement.

Les risques liés à l'exposition à ces poussières varient selon la fréquence à laquelle vous travaillez avec ce type de matériaux. Afin de réduire votre exposition à ces produits chimiques : travaillez dans un endroit bien ventilé et portez un équipement de sécurité approuvé comme un masque anti-poussières conçu spécialement pour filtrer les particules microscopiques.

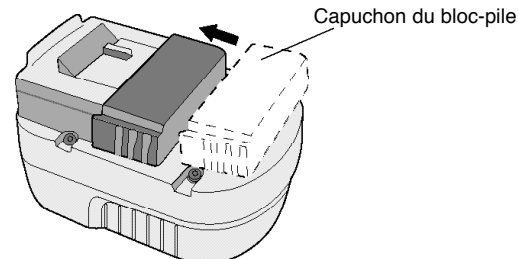
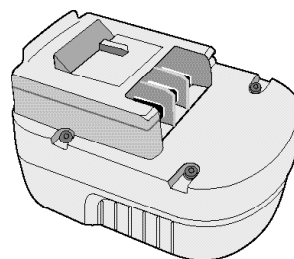
- **Éviter tout contact prolongé avec la poussière provenant du ponçage électrique, du sciage, du meulage, du perçage et d'autres activités de construction. Porter des vêtements protecteurs et laver au savon et à l'eau les parties du corps exposées.** Les poussières qui s'infiltrent dans la bouche et les yeux, ou qui se posent sur la peau peuvent favoriser l'absorption de produits chimiques nocifs.
- **AVERTISSEMENT : Cet outil peut produire et répandre de la poussière susceptible de causer des dommages sérieux et permanents au système respiratoire.** Toujours utiliser un appareil respiratoire anti-poussières approuvé par le NIOSH ou l'OSHA. Diriger les particules dans le sens opposé du visage et du corps.

L'étiquette de l'outil peut comporter les symboles suivants.

V	volts	A	ampères
Hz	hertz	W	watts
min	minutes	~	courant alternatif
====	courant continu	no	sous vide
☐	Construction de classe II	⊕	borne de mise à la minute
⚠	symbole d'avertissement	.../min	tours ou courses à la minute

INFORMATION CONCERNANT LE CAPUCHON DU BLOC-PILE

Un capuchon est fourni avec le bloc-pile en vue d'être utilisé chaque fois qu'on retire ce dernier de l'outil ou du chargeur en vue de le ranger ou de le transporter; enlever le capuchon avant de remettre le bloc-pile dans le chargeur ou dans l'outil.



- **AVERTISSEMENT :** S'assurer, au moment de ranger ou de transporter un bloc-pile ou une pile, qu'aucun objet métallique n'entre en contact avec leurs bornes à découvert de celui-ci. Par exemple, il faut éviter de placer un bloc-pile ou une pile sans capuchon dans un tablier, une poche, une boîte à outils ou un tiroir (etc.) contenant des objets tels que des clous, des vis ou des clés, car tout contact entre les bornes à découvert et un objet métallique comme une clé, une pièce de monnaie, un outil à main, etc. pourrait causer un incendie. En effet, les règlements américains Hazardous Material Regulations (HMR) du US Department of Transportation interdisent le transport d'un bloc-pile ou d'une pile dans tout moyen de transport commercial ou aéronef (que ce soit dans une valise ou le bagage de cabine) SAUF s'ils sont bien protégés contre les courts-circuits. On doit donc s'assurer, lorsqu'on transporte un bloc-pile ou une pile séparément, de bien protéger et isoler les bornes contre tout matériau qui risque d'entrer en contact avec eux et de causer un court-circuit.

Directives et consignes de sécurité concernant le chargement de la perceuse

- Le présent guide comprend d'importantes directives, dont un mode d'emploi et des consignes de sécurité.
- Avant d'utiliser le chargeur, lire toutes les directives et les étiquettes de mise en garde apposées sur (1) le chargeur, (2) la pile et (3) le produit utilisant la pile.
- MISE EN GARDE** : afin de réduire les risques de blessure, ne charger que des blocs-piles Black & Decker, car les autres peuvent éclater et entraîner des blessures ou des dommages matériels.
- Ne pas exposer le chargeur à la pluie ou à la neige.
- L'utilisation d'un accessoire n'étant ni recommandé ni vendu par Black & Decker peut entraîner des risques d'incendie, de choc électrique ou de blessure.
- Afin de réduire les risques de dommage à la fiche ou au cordon électrique, débrancher le chargeur en saisissant la fiche, non le cordon.
- S'assurer que le cordon est placé de manière à éviter qu'il ne subisse des dommages ou des contraintes ou que les personnes s'y prennent les pieds et trébuchent.
- Ne pas utiliser de rallonge à moins que cela ne soit absolument nécessaire, car l'usage d'une rallonge ayant une puissance inadéquate pourrait causer des risques d'incendie, de choc électrique ou d'électrocution.
- Bien qu'on puisse utiliser un cordon bifilaire avec une rallonge bifilaire ou trifilaire, on ne doit utiliser qu'une rallonge à cordon; on recommande que celle-ci soit approuvée par l'organisme américain Underwriters Laboratories (UL). Lorsqu'on utilise un outil électrique à l'extérieur, on ne doit utiliser que des rallonges conçues pour cet usage, comme celles de type W-A ou W. Toute rallonge conçue pour un usage extérieur peut aussi être employée à l'intérieur.
- Afin d'éviter une perte de puissance ou une surchauffe et d'assurer la sécurité de l'utilisateur, la rallonge doit être de calibre AWG approprié. Plus le calibre est petit, plus la capacité est grande; autrement dit, une rallonge de calibre 16 est plus puissante qu'une rallonge de calibre 18. Lorsqu'on utilise plusieurs rallonges pour obtenir la longueur voulue, s'assurer que chacune d'elles présente les valeurs minimales requises.

CALIBRE MINIMAL RECOMMANDÉ DES RALLONGES (INTENSITÉ NOMINALE DE 0,0 À 10,0 AMPÈRES)

Longueur totale de la rallonge (en pieds)	25	50	75	100	125	150
Calibre AWG	18	18	16	16	14	14

- Ne charger l'outil qu'au moyen du chargeur fourni, car l'usage de tout autre dispositif pourrait endommager l'outil ou engendrer une situation dangereuse.
- N'utiliser qu'un seul chargeur durant le chargement.
- Ne pas ouvrir le chargeur ni la perceuse; ces derniers ne contiennent aucune pièce pouvant être réparée par le client et doivent être retournés à un centre de service Black & Decker, le cas échéant.
- NE PAS incinérer la perceuse ou le bloc-pile, y compris ceux gravement endommagés ou complètement déchargés, car ils peuvent exploser en présence de flammes.
- Ne pas incinérer les piles, car elles peuvent exploser en présence de flammes. Les cellules peuvent subir une fuite légère par suite d'un usage extrême, du chargement ou d'une exposition à certaines températures; cela n'indique pas un problème. Cependant, si le scellant externe est percé et le liquide entre en contact avec la peau, on doit :
 - se laver rapidement la partie du corps touchée avec de l'eau savonneuse;
 - neutraliser l'effet au moyen d'un acide doux tel que du jus de citron ou du vinaigre;
 - si les yeux sont touchés, les rincer à fond avec de l'eau propre pendant au moins 10 minutes et consulter immédiatement un médecin.**REMARQUE AUX FINS MÉDICALES** : ce liquide contient une solution composée de 25 à 35 % d'hydroxyde de potassium.

CHARGEMENT DU BLOC-PILE

LE BLOC-PILE N'EST PAS COMPLÈTEMENT CHARGÉ EN USINE. IL IMPORTE DONC DE LIRE ATTENTIVEMENT TOUTES LES CONSIGNES DE SÉCURITÉ AVANT DE LE CHARGER.

Le chargeur est conçu pour être branché dans une prise résidentielle standard de 120 volts et de 60 Hz.

- Brancher le chargeur dans une prise murale appropriée. **REMARQUE : ne jamais utiliser une génératrice à moteur ni une source de courant continu (c.c.) pour alimenter le chargeur radio; n'utiliser qu'un circuit de 120 volts c.a.**
- Glisser le bloc-pile dans le chargeur, tel qu'illustré à la **figure 1**, et le charger pendant 9 heures. Après la charge initiale et à la suite d'une utilisation normale, le bloc-pile devrait se charger complètement en 3 à 6 heures.
- Débrancher le chargeur et retirer le bloc-pile. Mettre la pile dans l'outil en s'assurant de l'insérer complètement dans sa cavité jusqu'à ce que s'enclenche fermement. **REMARQUE** : pour retirer le bloc-pile de l'outil, appuyer sur le bouton de dégagement situé à l'arrière du bloc-pile (**figure 2**) et tirer sur ce dernier pour le dégager.

CONSEILS IMPORTANTS CONCERNANT LE CHARGEMENT

- À la suite d'une utilisation normale, le bloc-pile devrait prendre de 3 à 6 heures pour se charger complètement, et jusqu'à 6 heures s'il est complètement déchargé. Le bloc-pile n'est pas chargé au moment de quitter l'usine; on doit donc le charger pendant au moins 9 heures avant de l'utiliser.
- Afin d'éviter d'endommager le bloc-pile, il est important de NE PAS le charger à des températures inférieures à 4,5 °C (40 °F) ou supérieures à 40,5 °C (105 °F). Pour augmenter la durée de vie du bloc-pile et optimiser son rendement, le charger à une température d'environ 24°C (75 °F).
- Le chargeur peut émettre un bourdonnement ou devenir chaud au toucher durant le chargement. Cela est normal et n'indique pas la présence d'un problème.
- Si le bloc-pile ne se charge pas normalement, il faut : (1) vérifier l'alimentation de la prise en y enfichant une lampe ou un appareil, (2) s'assurer que la prise n'est pas raccordée à un interrupteur qui coupe le courant lorsqu'on éteint les lumières, (3) placer le chargeur et le bloc-pile dans un endroit où la température ambiante est environ 4,5 °C (40 °F) à 40,5 °C (105 °F) ou, si le problème persiste, (4) retourner le bloc-pile et le chargeur au centre de service Black & Decker le plus près (les centres de service autorisés sont répertoriés dans les pages jaunes sous la rubrique «Outils - électriques»).
- Le bloc-pile doit être rechargé lorsqu'il ne produit pas suffisamment de courant pour permettre à l'utilisateur de travailler normalement. On doit CESSER d'utiliser la perceuse dans de telles conditions.
- On peut prolonger la durée de vie du bloc-pile en évitant de le laisser dans le chargeur pendant de longues périodes (plus de 30 jours lorsqu'on ne l'utilise pas). Bien que la surcharge du bloc-pile ne soit pas un problème au niveau de la sécurité, cette pratique peut réduire de façon appréciable sa durée de vie.
- Le bloc-pile atteindra son rendement optimal après avoir terminé cinq cycles de charge et de décharge au cours d'une utilisation normale. Il n'est pas nécessaire de décharger complètement le bloc-pile avant de le recharger. Le meilleur moyen de charger et de décharger le bloc-pile est de l'utiliser normalement.

Directives et consignes de sécurité concernant la perceuse

- Saisir fermement la perceuse afin de maîtriser la torsion de cette dernière (**voir la figure 3**).
- Lorsqu'on utilise un mandrin sans clé, on doit le serrer fermement à la main. **AVERTISSEMENT** : La perceuse peut caler (à la suite d'une surcharge ou d'un mauvais usage) et causer un mouvement de torsion; on doit toujours prévoir un tel incident. Saisir la perceuse fermement afin de maîtriser la torsion de cette dernière (**fig. 3**) et d'éviter de perdre la maîtrise, ce qui pourrait entraîner des blessures. Si la perceuse cale, relâcher immédiatement la gâchette et en déterminer la cause avant de redémarrer l'outil.

Mode d'emploi

INTERRUPTEUR À GÂCHETTE ET BOUTON DE COMMANDE DE MARCHÉ ARRIÈRE – FIGURE 4

Enfoncer puis relâcher l'interrupteur à gâchette (**fig. 4**) pour démarrer et arrêter l'outil. Plus on enfonce l'interrupteur, plus la vitesse augmente. Un bouton de commande de marche avant / arrière, qui sert aussi de bouton de verrouillage en position d'arrêt, détermine la direction de marche de l'outil. Pour sélectionner la position de marche avant, relâcher l'interrupteur à gâchette et enfoncer le bouton de commande. Pour sélectionner la position de marche arrière, appuyer sur le même bouton pour choisir la direction opposée. La position centrale du bouton sert à verrouiller l'outil en position d'arrêt. On doit toujours relâcher la gâchette lorsqu'on change la position du bouton.

RÉGULATEUR DE COUPLE – FIGURE 5

L'outil est doté d'un collier qui permet de choisir le mode de fonctionnement et de serrer les vis selon le couple voulu. Le réglage des grosses vis et des matériaux durs doit être plus

élevé que celui des petites vis et des matériaux mous.

- Pour percer un trou dans le bois, le métal ou le plastique, régler le collier à la position de perçage indiquée par le symbole.
- Pour utiliser l'outil comme tournevis, régler le collier à la position voulue. Si on ne connaît pas encore la position correcte, procéder comme suit :
- Régler le collier à la plus basse position.
- Serrer la première vis.
- Si l'embrayage de l'outil se met à encliqueter avant que la vis ne soit bien ancrée, tourner le collier vers une position plus élevée et enfoncer complètement la vis. Continuer de tourner le collier jusqu'à la position voulue. Conserver ce réglage pour serrer les autres vis.

BOUTON À DEUX VITESSES D'ENGRENAGE - FIGURE 6

Le bouton à deux vitesses d'engrenage permet de changer la vitesse d'engrenage, rendant ainsi l'outil encore plus polyvalent. Pour sélectionner la basse vitesse à couple élevé (position 1), arrêter l'outil et attendre qu'il s'arrête complètement, puis glisser le bouton vers l'avant en direction du mandrin. Pour sélectionner la haute vitesse à couple faible (position 2), arrêter l'outil et attendre qu'il s'arrête complètement, puis glisser le bouton vers l'arrière, dans la direction opposée du mandrin. **REMARQUE** : ne pas changer la vitesse d'engrenage lorsque l'outil est en marche. Si on éprouve de la difficulté à modifier cette dernière, s'assurer que le bouton est poussé complètement vers l'avant ou vers l'arrière, selon le cas.

MANDRIN SANS CLÉ

Pour insérer une mèche ou tout autre accessoire, on doit :

- saisir la partie arrière du mandrin d'une main et utiliser l'autre pour faire tourner la partie avant vers la gauche (lorsqu'on la regarde à partir de l'extrémité du mandrin);
- insérer la mèche ou l'accessoire dans le mandrin et serrer fermement en saisissant la partie arrière du mandrin d'une main et en faisant tourner de l'autre la partie avant vers la droite (lorsqu'on la regarde à partir de l'extrémité du mandrin).

AVERTISSEMENT : ne pas tenter de serrer une mèche (ou tout autre accessoire) en saisissant la partie avant du mandrin et en mettant l'outil en marche; cela pourrait endommager le mandrin ou entraîner des blessures lorsqu'on change un accessoire.

MODE TOURNEVIS

Pour enfoncer des attaches, pousser le bouton de commande de marche arrière vers la gauche; pousser le bouton vers la droite pour les retirer. On doit toujours relâcher l'interrupteur à gâchette lorsqu'on change la position du bouton de la marche avant à la marche arrière, ou vice versa.

MODE PERÇAGE

- Utiliser des mèches aiguisées seulement.
- Bien soutenir et fixer la pièce, conformément aux consignes de sécurité.
- Utiliser le matériel de sécurité approprié, conformément aux consignes de sécurité.
- Garder la zone de travail propre et sécuritaire, conformément aux consignes de sécurité.
- Faire fonctionner la perceuse très lentement en exerçant une légère pression, jusqu'à ce que le trou soit suffisamment profond pour empêcher la mèche d'en sortir.
- Appliquer une pression en ligne droite au moyen de la mèche en exerçant juste assez de pression pour permettre à la mèche de mordre dans la pièce, en évitant de caler le moteur ou de faire dévier la mèche.
- Saisir fermement la perceuse des deux mains afin de maîtriser la torsion de cette dernière.**
- NE PAS ENFONCER ET RELÂCHER LA GÂCHETTE À PLUSIEURS REPRISES POUR ESSAYER DE REDÉMARRER LA PERCEUSE AFIN D'ÉVITER DE L'ENDOMMAGER.**
- Réduire les risques de calage au minimum en réduisant la pression lorsque la mèche perce le matériau et en perçant lentement la dernière section du trou.
- Maintenir le moteur en marche lorsqu'on retire la mèche du trou percé afin d'éviter qu'elle reste coincée.
- S'assurer que l'interrupteur peut mettre la perceuse en position de marche ou d'arrêt.**

AVERTISSEMENT : il est important de bien immobiliser la pièce et de saisir fermement l'outil afin d'éviter de perdre la maîtrise, ce qui pourrait entraîner des blessures. Pour obtenir de plus amples renseignements sur le fonctionnement de cet outil, composer le **1 800 544-6986**.

PERÇAGE DU BOIS

On peut percer le bois au moyen des mèches hélicoïdales qu'on utilise pour le métal ou de mèches à vrille. On doit utiliser des mèches bien aiguisées et les sortir fréquemment pour enlever les copeaux restés coincés dans les cannelures.

PERÇAGE DU MÉTAL

Utiliser une huile de coupe lorsqu'on perce des métaux, à l'exception de la fonte et du laiton, car ces derniers doivent être percés à sec. Pour cette tâche, les meilleurs lubrifiants sont l'huile sulfurée et l'huile de lard.

PERÇAGE DE LA MAÇONNERIE

Utiliser des mèches à pointe carburée (voir la section « Mode perçage »). Maintenir une pression uniforme sur la perceuse, sans trop forcer pour éviter de fissurer les matériaux plus cassants. La vitesse choisie est appropriée lorsque la poussière est soulevée uniformément et régulièrement.

DÉPANNAGE		
Problème	Cause possible	Solution possible
• L'appareil refuse de démarrer.	• Mauvaise installation de la batterie. • Pile non chargée.	• Vérifier l'installation de la batterie. • Vérifier les exigences de charge pour la pile.
• La pile ne se charge pas.	• Pile non insérée dans le chargeur. • Chargeur non branché. • Température ambiante trop chaude ou froide.	• Insérer la pile dans le chargeur de sorte que le voyant DEL rouge apparaisse. • Brancher le chargeur dans une prise qui fonctionne. Se reporter à la rubrique « Remarques importantes de chargement » pour plus de renseignements. • Vérifier le courant à la prise en branchant une lampe ou un autre appareil électrique. • Vérifier si la prise est reliée à un interrupteur qui coupe le courant au moment d'éteindre la lumière • Déplacer le chargeur et l'outil à une température ambiante de plus de 4,5 °C (40 °F) ou sous les 40,5 °C (105 °F) 105 degree F (+40,5°C).

Pour de l'aide avec l'outil, consulter notre site Web www.blackanddecker.com pour l'emplacement du centre de réparation le plus près ou communiquer avec l'assistance BLACK & DECKER au **1-800-544-6986**.

ENTRETIEN

N'utiliser que du savon doux et un chiffon humide pour nettoyer l'outil; ne jamais laisser de liquide pénétrer à l'intérieur de ce dernier et ne jamais l'immerger dans un liquide quelconque.

IMPORTANT : pour assurer la SÉCURITÉ et la FIABILITÉ de cet outil, toutes les opérations de réparation, d'entretien et de réglage (autres que celles décrites aux présentes) doivent être effectuées par un centre de service autorisé ou qualifié; on ne doit utiliser que des pièces de rechange identiques.

LE SCEAU RBRC^{mc}*

Le sceau RBRC^{mc} de la pile au nickel-cadmium indique que Black & Decker défraie le coût du recyclage de la pile à la fin de sa durée utile. Le programme RBRC^{mc} offre une solution de rechange pratique à la mise au rebut des piles au nickel-cadmium usées, que ce soit à la poubelle ou dans le système municipal car cette mise au rebut est illégale à certains endroits.



L'organisme RBRC en collaboration avec Black & Decker et d'autres utilisateurs de piles a mis sur pied des programmes aux États-Unis et au Canada afin de faciliter la collecte des piles au nickel-cadmium usées. Pour aider à préserver l'environnement et à conserver les ressources naturelles, il suffit de retourner les piles au nickel-cadmium usées à un centre de service Black & Decker ou chez le détaillant de la région pour qu'elles soient recyclées. On peut également communiquer avec le centre de recyclage de la région afin de savoir où déposer les piles usées, ou composer le **1 (800) 822-8837**.

*RBRC^{mc} est une marque de commerce de l'organisme américain Rechargeable Battery Recycling Corporation.

ACCESSOIRES

Les accessoires recommandés pour chaque outil sont offerts chez les dépositaires locaux ou dans les centres de service autorisés. Pour obtenir plus d'information sur les accessoires, composer le **1 800 544-6986**.

⚠ **AVERTISSEMENT** : l'usage d'un accessoire non recommandé peut présenter un danger.

On ne doit utiliser que des accessoires ayant les dimensions précisées ci-dessous :
MÈCHES À MÉTAL - jusqu'à 12,7 mm (1/2 po); MÈCHES À MAÇONNERIE - jusqu'à 12,7 mm (1/2 po); MÈCHES À BOIS - jusqu'à 38,1 mm (1-1/2 po)

INFORMATION SUR LES RÉPARATIONS

Tous les centres de réparation Black & Decker sont dotés de personnel qualifié en matière d'outillage électrique; ils sont donc en mesure d'offrir à leur clientèle un service efficace et fiable. Que ce soit pour un avis technique, une réparation ou des pièces de rechange authentiques installées en usine, communiquer avec l'établissement Black & Decker le plus près de chez vous. Pour trouver l'établissement de réparation de votre région, consulter le répertoire des Pages jaunes à la rubrique « Outils électriques » ou composer le numéro suivant : **1-800-544-6986** ou consulter le site www.blackanddecker.com

GARANTIE COMPLÈTE DE DEUX ANS POUR UNE UTILISATION DOMESTIQUE

Black & Decker (É.-U.) Inc. garantit ce produit pour une durée de deux ans contre tout défaut de matériau ou de fabrication. Le produit défectueux sera remplacé ou réparé sans frais de l'une des deux façons suivantes :

La première façon consiste en un simple échange chez le détaillant qui l'a vendu (pourvu qu'il s'agisse d'un détaillant participant). Tout retour doit se faire durant la période correspondant à la politique d'échange du détaillant (habituellement, de 30 à 90 jours après l'achat). Une preuve d'achat peut être requise. Vérifier auprès du détaillant pour connaître sa politique concernant les retours hors de la période définie pour les échanges.

La deuxième option est d'apporter ou d'envoyer le produit (transport payé d'avance) à un centre de réparation autorisé ou à un centre de réparation de Black & Decker pour faire réparer ou échanger le produit, à notre discrétion. Une preuve d'achat peut être requise. Les centres Black & Decker et les centres de service autorisés sont répertoriés dans les pages jaunes, sous la rubrique « Outils électriques ».

Cette garantie ne s'applique pas aux accessoires. Cette garantie vous accorde des droits légaux spécifiques et vous pourriez avoir d'autres droits qui varient d'un État ou d'une province à l'autre. Pour toute question, communiquer avec le directeur du centre de réparation Black & Decker le plus près de chez vous. Ce produit n'est pas destiné à un usage commercial.

REPLACEMENT GRATUIT DES ÉTIQUETTES D'AVERTISSEMENT : si les étiquettes d'avertissement deviennent illisibles ou sont manquantes, composer le **1-800-544-6986** pour en obtenir le remplacement gratuit.

Imported by / Importé par
Black & Decker Canada Inc.
100 Central Ave.
Brockville (Ontario) K6V 5W6

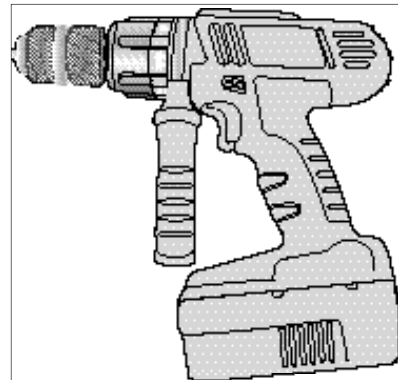
Voir la rubrique "Outils électriques"
des Pages Jaunes
pour le service et les ventes.



BLACK & DECKER®

Taladro percutor inalámbrico de 13 mm (1/2") de 24 voltios

MANUAL DE INSTRUCCIONES



Catálogo N°
HPD2402

¡GRACIAS POR ELEGIR BLACK & DECKER!

VAYA A WWW.BLACKANDDECKER.COM/NEWOWNER

PARA REGISTRAR SU NUEVO PRODUCTO.

ANTES DE DEVOLVER ESTE PRODUCTO POR CUALQUIER MOTIVO, LLAME AL

(55)5326-7100

ANTES DE LLAMAR, TENGA EL NÚMERO DE CATÁLOGO Y EL CÓDIGO DE FECHA PREPARADOS. EN

LA MAYORÍA DE LOS CASOS, UN REPRESENTANTE DE BLACK & DECKER PUEDE RESOLVER EL

PROBLEMA POR TELÉFONO. SI DESEA REALIZAR UNA SUGERENCIA O COMENTARIO, LLÁMENOS.

SU OPINIÓN ES FUNDAMENTAL PARA BLACK & DECKER.

CONSERVE ESTE MANUAL PARA FUTURAS CONSULTAS.

REGLAS GENERALES DE SEGURIDAD - PARA TODAS LAS HERRAMIENTAS OPERADAS CON BATERÍAS

⚠ **¡ADVERTENCIA! LEA Y COMPRENDA TODAS LAS INSTRUCCIONES.** No hacerlo puede originar riesgos de choque eléctrico, incendio y lesiones personales de gravedad.

CONSERVE ESTAS INSTRUCCIONES

ÁREA DE TRABAJO

- **Conserve su área de trabajo limpia y bien iluminada.** Las bancas amontonadas y las zonas oscuras propician los accidentes.
- **No opere herramientas eléctricas en atmósferas explosivas, como en presencia de líquidos, gases o polvos inflamables.** Las herramientas eléctricas producen chispas que pueden originar la ignición de los polvos o los vapores.
- **Conserve a observadores, niños y visitantes alejados mientras opera una herramienta eléctrica.** Las distracciones pueden ocasionar que pierda el control.

SEGURIDAD ELÉCTRICA

- **No maltrate el cable. Nunca utilice el cable para transportar la herramienta. Conserve el cable alejado de calor, aceite, bordes afilados o piezas móviles. Reemplace inmediatamente los cables dañados.** Los cables dañados pueden originar incendio.
- **Una herramienta de baterías con baterías integradas o por separado debe recargarse únicamente con el cargador especificado para esas baterías.** Un cargador que pueda adecuarse a un tipo de batería puede crear riesgos de incendio cuando se emplea con otra batería.
- **Utilice su herramienta de baterías únicamente con la batería especialmente diseñada para ella.** El empleo de otras baterías puede crear riesgos de incendio.

SEGURIDAD PERSONAL

- **Esté alerta, concéntrese en lo que está haciendo. Recurra al sentido común cuando opere una herramienta eléctrica.** No opere ninguna herramienta si se encuentra fatigado o bajo la influencia de drogas, alcohol o medicamentos. Un momento de desatención mientras se operan herramientas eléctricas puede ocasionar lesiones graves.
- **Vístase de manera adecuada. No tenga puestas ropas o artículos de joyería flojos. Cubra su cabello si lo tiene largo.** Conserve su cabello, sus ropas y guantes alejados de las piezas móviles. Las piezas de vestir flojas, las joyas y el cabello largo pueden resultar atrapados por las piezas móviles.
- **Evite el encendido accidental.** Asegúrese que el interruptor esté en posición de apagado antes de instalar la batería. Sostener una batería con el dedo en el interruptor o conectarla sin fijarse si el interruptor está en posición de encendido propicia los accidentes.
- **Retire las llaves de ajuste antes de encender la herramienta.** Una llave que se deja en una pieza giratoria puede ocasionar lesiones personales.
- **No se sobreextienda. Conserve siempre los pies bien apoyados, al igual que el equilibrio.** La posición correcta de los pies y el equilibrio permiten controlar mejor la herramienta en situaciones inesperadas.
- **Utilice equipo de seguridad. Siempre utilice protección en los ojos.** Se deben utilizar mascarillas contra polvo, zapatos antiderrapantes, casco o protectores para los oídos para tener las condiciones apropiadas.

USO Y CUIDADOS DE LA HERRAMIENTA

- **Utilice prensas u otros medios prácticos para asegurar y apoyar la pieza de trabajo en una plataforma estable.** Sujetar las piezas con la mano o contra su cuerpo es inestable y puede originar la pérdida de control.
- **No fuerce la herramienta. utilice la herramienta adecuada para su aplicación.** La herramienta adecuada hará mejor el trabajo y de manera más segura bajo las especificaciones para las que se diseñó.
- **No utilice la herramienta si el interruptor no enciende y apaga.** Cualquier herramienta que no pueda controlarse por medio del interruptor es peligrosa y debe repararse.
- **Desconecte la batería de la herramienta o coloque el interruptor en posición de apagado antes de hacer cualquier ajuste, cambio de accesorios o de guardar la herramienta.** Tales medidas de seguridad preventivas reducirán el riesgo de que la herramienta se encienda accidentalmente.
- **Guarde las herramientas fuera del alcance de los niños y de otras personas no capacitadas.** Las herramientas son peligrosas en manos de personas no capacitadas.

- Cuando no utilice la batería consérvela alejada de objetos metálicos como: clips, monedas, llaves, clavos, tornillos y otras piezas de metal que puedan establecer una conexión entre una terminal y otra. Hacer corto en las terminales de la batería puede ocasionar chispas, quemaduras o incendios.
- Cuides sus herramientas. Conserve las herramientas de corte afiladas y limpias. Las herramientas que reciben un mantenimiento adecuado, con piezas de corte afiladas, difícilmente se atascan y son más fáciles de controlar.
- Verifique la alineación de las piezas móviles, busque fracturas en las piezas y cualesquiera otras condiciones que puedan afectar la operación de las herramientas. Si está dañada, lleve su herramienta a servicio antes de usarla de nuevo. Muchos accidentes se deben a herramientas con mantenimiento pobre.
- Solamente use accesorios que el fabricante recomiende para su modelo de herramienta. Los accesorios que estén diseñados para una herramienta, pueden volverse peligrosos cuando se emplean con otra.

SERVICIO

- El servicio a las herramientas lo debe efectuar únicamente personal calificado. El servicio o mantenimiento realizado por personal no calificado puede originar riesgos de lesiones.
- Cuando efectúe servicio a una herramienta, utilice únicamente refacciones idénticas. Siga las instrucciones de la sección de Mantenimiento de este manual. El empleo de piezas no autorizadas o no seguir las instrucciones de mantenimiento puede originar riesgos de choque eléctrico o lesiones.

REGLAS ESPECÍFICAS DE SEGURIDAD

- Sujete la herramienta por las superficies aislantes cuando realice una operación en que la herramienta pueda hacer contacto con cableados ocultos. Al hacer contacto con un cable "vivo", las partes metálicas de la herramienta se vuelven "vivas" y pueden originar un choque al operador.
- Cuando trabaje en una escalera o una plataforma asegúrese de dejar la herramienta de lado cuando no la use. Algunas herramientas con baterías grandes se paran sobre su base, pero se pueden volcar fácilmente.
- AVERTISSEMENT : El polvo creado al lijar, aserrar, pulir, taladrar o realizar otras actividades de la construcción, contiene substancias químicas que se sabe producen cáncer, defectos de nacimiento u otros defectos del sistema reproductor. Algunos ejemplos de esos productos químicos son:
 - El plomo de las pinturas a base de plomo,
 - La sílice cristalina de los ladrillos, del cemento y de otros productos de albañilería, y
 - El arsénico y el cromo de la madera tratada químicamente (CCA).

El riesgo que se corre a causa del contacto con esos productos varía según la frecuencia con que usted realice este tipo de trabajos. Con el fin de reducir su exposición a esas substancias químicas, trabaje en un área bien ventilada y utilice un equipo de seguridad reglamentario, tal como una máscara contra el polvo especialmente diseñada para filtrar partículas microscópicas.

- Evite el contacto prolongado con el polvo proveniente del lijado, aserrado, amolado y taladrado eléctrico y otras actividades de construcción. Use vestimenta protectora y lave todas las áreas expuestas con agua y jabón. De entrar polvo en sus ojos, boca, o que este permanezca sobre su piel puede promover la absorción de químicos dañinos.

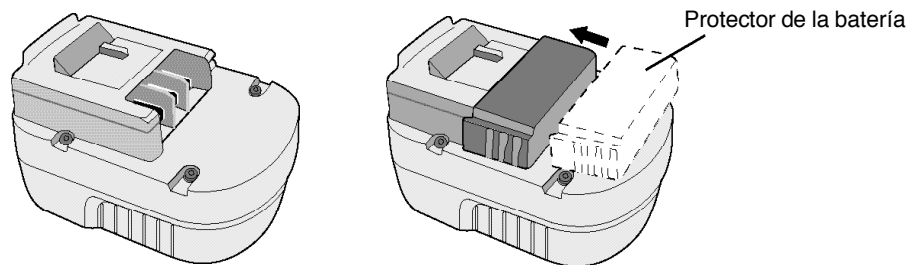
- AVERTISSEMENT : El uso de esta herramienta puede generar y/o dispersar el polvo, el cual puede ocasionar lesión respiratoria u otro tipo de lesión grave y permanente. Utilice siempre protección respiratoria NIOSH/OSHA apropiada para la exposición al polvo. Dirija las partículas lejos de su cara o su cuerpo.

La etiqueta de su herramienta puede incluir los siguientes símbolos.

V	volts	A.....	amperes
Hz	hertz	W	watts
min.....	minutos	~	corriente alterna
===	corriente directa	n _o	velocidad sin carga
☐	construcción clase II	⊕	terminales de conexión a tierra
⚠	símbolo de alerta seguridad/min	revoluciones o reciprocaciones por minuto

Información acerca del protector de la batería

Se han incluido protectores para el almacenaje y transporte de la batería. Estos deben ser usados cuando la batería no esté conectada a la herramienta ni en el cargador. Recuerde quitar el protector antes de poner la batería en el cargador o conectarla a la herramienta.



- **ADVERTENCIA:** No guarde ni lleve baterías, unidades de alimentación o pilas en un lugar donde sus terminales pudieran entrar en contacto con algún objeto metálico. Por ejemplo, no ponga baterías, unidades de alimentación o pilas dentro de un delantal o bolsillo, una caja de herramientas o de almacenamiento del producto, un cajón, etc., junto con clavos sueltos, tornillos, llaves, etc. si no están debidamente protegidas. El transporte de baterías, unidades de alimentación o pilas puede causar un incendio si sus terminales entran en contacto sin querer con materiales conductores como llaves, monedas, herramientas de mano y otros por el estilo. De hecho, el reglamento sobre materiales peligrosos (HMR) del Ministerio de Transporte de los Estados Unidos prohíbe el transporte de baterías, unidades de alimentación o pilas en cualquier tipo de transporte terrestre o aéreo (es decir, embaladas en maletas y maletines de mano) A NO SER que estén debidamente protegidas de hacer cortocircuito. Por lo tanto, cuando transporte baterías, unidades de alimentación o pilas individuales, asegúrese que sus terminales estén protegidos y debidamente aislados de materiales que pudieran entrar en contacto con ellos y causar un cortocircuito.

CONSERVE ESTAS INSTRUCCIONES

- **Advertencias e instrucciones de seguridad: Cómo cargar el taladro**

- Este manual contiene instrucciones de seguridad y operación importantes.
- Antes de usar el cargador de batería, lea todas las instrucciones y marcas de advertencia en (1) el cargador de la batería, (2) la batería y (3) el producto que utiliza la batería.
- **ATENCIÓN:** Para reducir el riesgo de lesión, sólo cargue unidades de alimentación Black & Decker. Otros tipos de baterías podrían reventarse y causar lesiones corporales y otros daños.
- No exponga el cargador a lluvia o nieve.
- El uso de un accesorio no recomendado o vendido por Black & Decker podría resultar en riesgo de incendio, descarga eléctrica o lesiones corporales.
- Para reducir el riesgo de daño al enchufe y cable de alimentación, jale del enchufe y no del cable cuando desconecte el cargador.
- Asegúrese que el cable no sea ubicado de manera que podría ser pisado, causar que alguien tropiece con él o ser expuesto a otro tipo de daños.
- No se debería usar un alargador a no ser que sea absolutamente necesario. El uso de un alargador incorrecto podría resultar en riesgo de incendio, descarga eléctrica o electrocución.
- Cables de dos hilos pueden ser usados con alargadores de 2 ó 3 hilos. Sólo se deben usar alargadores con revestimiento redondo y recomendamos que además se encuentren en la lista de Underwriters Laboratories (U.L.). Si el alargador será utilizado en la intemperie, el cable debe ser adecuado para uso exterior. Cualquier cable marcado para uso exterior es también adecuado para uso interior. Las letras "W" o "WA" en el revestimiento del cable indican que el cable puede ser usado en la intemperie.
- Los hilos del alargador deben ser de un calibre apropiado (AWG o American Wire Gauge) para su seguridad y para evitar la pérdida de potencia y sobrecalentamiento. Mientras

menor sea el calibre del hilo, mayor la capacidad del cable. Es decir, un hilo calibre 16 tiene mayor capacidad que uno de 18. Cuando se utilice más de un alargador para completar el largo total, asegúrese que los hilos de cada alargador tengan el calibre mínimo.

CALIBRE AWG MINIMO RECOMENDADO PARA LOS CORDONES DE EXTENSION	Longitud total del cable de extensión (metros)						
	7,6	15,2	22,8	30,4	38,1	45,7	53,3
Calibre del alambre	18	18	16	16	14	14	12

- Sólo use el cargador que viene con la herramienta cuando cargue su taladro. El uso de cualquier otro cargador podría dañar el taladro o crear una situación de peligro.
- Sólo use un cargador cuando lo cargue.
- No intente abrir el cargador o el taladro. No contienen piezas que puedan ser reparadas por el usuario. Devuelva a cualquier centro de servicio Black & Decker autorizado.
- NO incinere el taladro o las unidades de alimentación aunque se encuentren gravemente dañados o completamente gastados. Las baterías pueden explotar en un incendio.
- No incinere las baterías. Pueden explotar en un incendio. Las celdas de la batería pueden tener fugas pequeñas de líquido cuando han sido usadas o cargadas durante períodos demasiado largos, o bajo ciertas condiciones de temperatura. Esto no indica una falla. Sin embargo, si el sello externo ha sido roto y su piel entra en contacto con el líquido:
 - Lave rápidamente con jabón y agua.
 - Neutralice con un ácido suave como jugo de limón o vinagre.
 - Si el líquido de la batería le entra a los ojos, lávelos con agua limpia por al menos 10 minutos y hágase ver por un médico de inmediato.

NOTA MÉDICA: El líquido es una solución de 25-35% de hidróxido de potasio.

CÓMO CARGAR LA UNIDAD DE ALIMENTACIÓN

LAS BATERÍAS DE SU UNIDAD DE ALIMENTACIÓN NO VIENEN COMPLETAMENTE CARGADAS DE LA FÁBRICA. ANTES DE INTENTAR CARGARLAS, LEA CONCIENZUDAMENTE TODAS LAS INSTRUCCIONES DE SEGURIDAD.

El cargador está diseñado para utilizar la corriente doméstica estándar de 120 voltios 60 Hz.

- Enchufe el cargador en cualquier toma de corriente estándar de 120 voltios 60 Hz. **NOTA: No cargue con un grupo electrógeno o fuente de corriente continua (DC). Use sólo corriente alterna (AC) de 120V.**
- Deslice el cargador en la unidad de alimentación como lo muestra la **Figura 1** y deje que la batería se cargue inicialmente por 9 horas. Luego de la carga inicial, su unidad de alimentación debería cargarse completamente en 3 a 6 horas, si tiene una frecuencia de uso normal.
- Desenchufe el cargador y quite la unidad de alimentación. Conecte la batería a la herramienta y asegúrese que quede completamente insertada en la cavidad de la herramienta, hasta escuchar un "clic". **NOTA:** Para quitar la batería del taladro, presione el pulsador de liberación que se encuentra en la parte posterior de la batería (**Figura 2**) y deslícela hacia afuera.

Advertencias e instrucciones de seguridad: Taladros

- Sujete el taladro firmemente para controlar su acción de torsión. Ver **Figura 3**.
- Cuando ponga accesorios en el portabrocas, ajuste el portabrocas sin llave manualmente y con firmeza.

- **ADVERTENCIA:** El taladro puede atascarse (si está sobrecargado o no es debidamente usado), lo que causará una torsión. Siempre anticipe un atascamiento. Sujete el taladro firmemente para controlar su acción de torsión (**ver Fig. 3**) y evitar perder el control, lo cual podría causar lesiones corporales. Si llegase a ocurrir, suelte el gatillo de inmediato y determine cuál es la razón del atascamiento antes de retomar el trabajo.

Instrucciones de operación

INTERRUPTOR DE DISPARO & BOTÓN DE REVERSA - FIGURA 4

El taladro se PRENDE y APAGA al oprimir y soltar el interruptor de disparo según se ilustra en la **Figura 4**. Mientras más a fondo oprima el interruptor, mayor será la velocidad del taladro. El botón de control de marcha adelante/atrás determina la dirección en que gira la herramienta y también actúa como seguro. Para seleccionar la rotación hacia adelante, suelte el interruptor de disparo y oprima el botón de control. Para seleccionar la marcha atrás, oprima el botón de control en dirección contraria. La posición central del botón de control asegura la herramienta en posición apagado. Cuando cambie la posición del botón de control, asegúrese de que el interruptor de disparo se encuentre liberado.

CONTROL DE TORSIÓN - FIGURA 5

Esta herramienta viene con una rueda para seleccionar el modo de funcionamiento y fijar el par torsor para ajustar tornillos. Los tornillos grandes y piezas fabricadas con materiales duros requieren un mayor par torsor que los tornillos pequeños y piezas de materiales blandos.

- Para taladrar en madera, metal y plásticos, fije la rueda en la posición del taladro con el símbolo I.
- Para atornillar, fije la rueda en la posición deseada. Si no conoce la posición apropiada, haga lo siguiente:
 - Fije la rueda en la posición de menor par torsor.
 - Ajuste el primer tornillo.
 - Si el portabrocas emite un ruido de chicharra y se tranca (ratchets) antes de lograr el resultado deseado, aumente el par torsor y siga ajustando el tornillo. Repita hasta que alcance la posición correcta. Use esta configuración para los demás tornillos.

ENGRANAJE DE DOBLE ALCANCE - FIGURA 6

El dispositivo de doble alcance del taladro le permite cambiar los engranajes para mayor versatilidad. Para seleccionar la velocidad baja reglaje de mayor torsión (posición 1), apague la herramienta y deje que se detenga. Empuje el botón hacia el portabrocas. Para seleccionar velocidad baja, torsión y velocidad baja (posición 2) apague la herramienta y deje que se detenga. Deslice el cambiador de engranajes hacia atrás (lejos del portabroca). **NOTA:** No haga cambio de engranajes cuando la herramienta está funcionando. De tener problemas en cambiar los engranajes, asegúrese de que el botón de engranajes de doble alcance esté o completamente empujado hacia adelante o completamente empujado hacia atrás.

BROQUERO SIN LLAVE

Para insertar una broca u otro accesorio:

- Agarre la mitad posterior del portabroca con una mano y use la otra para girar la mitad anterior en dirección antihoraria, visto desde el portabroca.
- Inserte la broca u otro accesorio completamente en el portabroca, y apriete muy bien mientras sujeta la mitad posterior del portabroca y gira la porción frontal en dirección horaria, visto desde el portabroca.

- **ADVERTENCIA:** No trate de apretar las brocas (u cualquier otro accesorio) agarrando la parte frontal del portabroca y prendiendo la herramienta. Esto podría dañar el portabrocas u ocasionar lesiones personales al hacer cambio de accesorios

DES/ATORNILLADO TORNILLOS

Para atornillar sujetadores, se debe empujar el botón de reversa hacia la izquierda. Use el botón de reversa (empujado hacia la derecha) para quitar los sujetadores. Antes de mover el botón de adelante a reversa, o vice versa, suelte siempre el interruptor de gatillo primero.

TALADRADO

- Use sólo brocas afiladas.
- Asegure y apoye la pieza de trabajo adecuadamente, según se indica en las Instrucciones de seguridad.
- Use el equipo de seguridad apropiado requerido, según se indica en las Instrucciones de seguridad.
- Asegure y mantenga su área de trabajo según se indica en las Instrucciones de seguridad.
- Opere el taladro muy lentamente, presionando levemente, hasta que el hueco esté lo suficientemente definido para que la broca no se salga.
- Aplique presión alineada con la broca. Ejercer suficiente presión para que la broca permanezca en rotación, pero no demasiada con el fin de evitar que el motor se atasque o la broca se desvíe.

- **Sujete firmemente el taladro para controlar la fuerza de torsión del taladro.**
- NO APRIETE EL INTERRUPTOR DE DISPARO EN LAS POSICIONES DE ENCENDIDO Y APAGADO CON EL FIN DE INTENTAR HACER FUNCIONAR LA BROCA ATORADA - ESTO PUEDE DAÑAR EL TALADRO
- Minimice el atascamiento por atravesamiento mediante reducción de la presión y taladrado lento a través de la última parte del hueco.
- Mantenga el motor en funcionamiento al retirar la broca del interior de la perforación, de manera que evite su atascamiento.
- **Asegúrese de que el interruptor prende y apaga el taladro.**
 ⚠ **ADVERTENCIA:** Es importante apoyar la pieza de trabajo adecuadamente y sujetar el taladro firmemente para evitar la pérdida de control que podría causar daño personal. Si tiene preguntas sobre como operar la herramienta adecuadamente, llame al: **(55)5326-7100.**

TALADRADO EN MADERA

Los huecos en madera pueden efectuarse con las mismas brocas helicoidales usados para metal o con brocas de horquilla. Estas brocas deben ser afiladas y deben retirarse frecuentemente al taladrar para limpiar las virutas de las ranuras.

TALADRADO EN METAL

Use un lubricante para corte al taladrar metales. Las excepciones son el hierro colado y el latón, los cuales que deben perforarse en seco. Los lubricantes para corte que mejor funcionan son aceites sulfurizados para corte o manteca de cerdo.

TALADRADO EN ALBAÑILERÍA

Use brocas con puntas de carburo de tungsteno. Refiérase a la sección Taladrado. Ejercer una fuerza uniforme sobre el taladro, pero no tanto que se fracture el material quebradizo. Un flujo uniforme y suave de rebabas indica que se está taladrando a una velocidad adecuada.

Problema	DETECCIÓN DE PROBLEMAS Causa posible	Solución posible
• La unidad no enciende.	• La batería no está bien instalada. • La batería no carga.	• Verifique la instalación de la batería. • Verifique los requisitos de carga de la batería.
• La batería no carga.	• La batería no está insertada en el cargador. • El cargador no está enchufado. • Temperatura ambiental demasiado caliente o demasiado fría.	• Inserte la batería en el cargador hasta que se encienda la luz roja (LED). • Enchufe el cargador en un tomacorriente que funcione. Para conocer más detalles, consulte "Notas importantes sobre la carga". • Controle la corriente del tomacorriente enchufando una lámpara u otro artefacto. • Verifique si el tomacorriente está conectado a un interruptor que corta la energía cuando usted apaga la luz. • Mueva el cargador y la herramienta a un ambiente con una temperatura superior a 4,5 °C (40 °F) o inferior a 40,5 °C (105 °F).

Para conocer la ubicación del centro de mantenimiento más cercano a fin de recibir ayuda con su producto, visite nuestro sitio Web www.blackanddecker.com o llame a la línea de ayuda BLACK & DECKER al **(55)5326-7100.**

MANTENIMIENTO

Útilice solamente jabón suave y agua para limpiar la herramienta. Nunca permita que ningún líquido se introduzca dentro dentro de la misma; nunca sumerja ninguna parte de la herramienta dentro de ningún líquido.

IMPORTANTE: Para garantizar la SEGURIDAD y la FIABILIDAD del producto, las reparaciones, el mantenimiento y los ajustes (no enumerados en este manual), deberán ser realizados en los centros autorizados de servicio u otras organizaciones de servicio calificadas, utilizando siempre para ello accesorios originales.

EL SELLO RBRC™

El sello RBRC™ (Rechargeable Battery Recycling Corporation) en las baterías de níquelcadmio, indica que el costo del reciclaje de la batería (o grupo de baterías), al final de su vida útil, ya ha sido pagado por Black & Decker. En algunas áreas es ilegal colocar las baterías de níquelcadmio desgastadas en la basura doméstica o en los basureros municipales y el programa RBRC™ proporciona una alternativa ambiental conveniente.

La RBCR, en cooperación con Black & Decker y otros usuarios de baterías, han establecido programas en los Estados Unidos para facilitar la recolección de baterías de níquelcadmio desgastadas. Al llevar sus baterías desgastadas de níquelcadmio a un centro de servicio autorizado Black & Decker o a su minorista local para el reciclaje de su batería, usted ayuda a proteger nuestro medio ambiente y a conservar nuestros recursos naturales. Usted puede comunicarse con el centro de reciclaje de su localidad para que le informen acerca de los lugares donde usted puede regresar las baterías desgastadas, o llame a **(55)5326-7100**



ACCESORIOS

Los accesorios que se recomiendan usar con su herramienta están disponibles donde su distribuidor o centro de servicio local. De necesitar asistencia para obtener un accesorio, favor llamar a: **(55)5326-7100.**

⚠ **ADVERTENCIA:** Puede ser peligroso usar cualquier accesorio no recomendado.

Los accesorios siguientes deben usarse únicamente en los tamaños especificados a continuación:

BROCAS, TALADRADO EN METAL – Hasta 1/2" (12.7mm); BROCAS, TALADRADO EN ALBAÑILERÍA – Hasta 1/2" (12.7mm); TALADRADO EN MADERA – Hasta 1-1/2" (38.1mm).

INFORMACIÓN ACERCA NUESTROS CENTROS DE SERVICIO

Todos los centros de servicio Black & Decker tienen personal entrenado para dar un servicio eficiente y confiable a las herramientas eléctricas de sus clientes. De necesitar orientación técnica, reparación, o repuestos originales de fábrica, diríjase al centro Black & Decker más cercano. Para hallar la ubicación del centro de servicio local, busque en las páginas amarillas de la guía telefónica bajo "Herramientas—Eléctricas" o llame a: **(55)5326-7100**

GARANTÍA COMPLETA DE DOS AÑOS PARA USO EN EL HOGAR

Black & Decker (EE.UU.) Inc. ofrece una garantía de dos años por cualquier defecto del material o de fabricación de este producto. El producto defectuoso se reparará o reemplazará sin costo alguno de dos maneras.

La primera opción, el reemplazo, es devolver el producto al comercio donde se lo adquirió (siempre y cuando se trate de un comercio participante). Las devoluciones deben realizarse conforme a la política de devolución del comercio (generalmente, entre 30 y 90 días posteriores a la venta). Le pueden solicitar comprobante de compra. Consulte en el comercio acerca de la política especial sobre devoluciones una vez superado el plazo establecido.

La segunda opción es llevar o enviar el producto (con flete pago) a un Centro de servicio autorizado propio de Black & Decker para su reparación o reemplazo según nuestro criterio. Le pueden solicitar comprobante de compra. Encontrará una lista de los Centros de servicio autorizados y de propiedad de Black & Decker bajo "Herramientas eléctricas (Tools-Electric)" en las páginas amarillas de la guía telefónica.

Esta garantía no se extiende a los accesorios. Esta garantía le concede derechos legales específicos; pueden variar según el estado. Ante cualquier inquietud, comuníquese con el Centro de servicio de Black & Decker más cercano.

Este producto no es para uso comercial.

Reemplazo gratuito de la etiqueta de advertencias: Si sus etiquetas de advertencia se vuelven ilegibles o faltan, llame al **(55)5326-7100** para que se le reemplacen gratuitamente.

Para reparación y servicio de sus herramientas eléctricas, favor de dirigirse al Centro de Servicio más cercano:

CULIACAN, SIN Av. Nicolás Bravo #1063 Sur (667) 7 12 42 11 Col. Industrial Bravo	MONTERREY, N.L. Av. Francisco I. Madero No.831 (81) 8375 2313 Col. Centro	TORREON, COAH Blvd. Independencia, 96 Pte. (871) 716 5265 Col. Centro
GUADALAJARA, JAL Av. La Paz #1779 (33) 3825 6978 Col. Americana Sector Juarez	PUEBLA, PUE 17 Norte #205 (222) 246 3714 Col. Centro	VERACRUZ, VER Prolongación Díaz Mirón #4280 (229)921 7016 Col. Remes
MEXICO, D.F. Eje Central Lázaro Cardenas No. 18 (55) 5588 9377 Local D, Col. Obrera	QUERETARO, QRO Av. Madero 139 Pte. (442) 214 1660 Col. Centro	VILLAHERMOSA, TAB Constitución 516-A (993) 312 5111 Col. Centro
MERIDA, YUC Calle 63 #459-A (999) 928 5038 Col. Centro	SAN LUIS POTOSI, SLP Av. Universidad 1525 (444) 814 2383 Col. San Luis	

PARA OTRAS LOCALIDADES LLAME AL: (55) 5326 7100

ESPECIFICACIONES

HPD2402 24,0 Volts Taladro con velocidad variable reversible
Cargador:
INPUT: 120 V AC 60 HZ
OUTPUT: 29V DC 210mA

Vea "Herramientas eléctricas (Tools-Electric)" – Páginas amarillas – para Servicio y ventas



BLACK & DECKER S.A. DE C.V.
BOSQUES DE CIDROS ACCESO RADIATAS NO. 42
COL. BOSQUES DE LAS LOMAS.
05120 MÉXICO, D.F.
TEL. 55-5326-7100