



**INSTRUCTION MANUAL
GUIDE D'UTILISATION
MANUAL DE INSTRUCCIONES**


HSMC1321, HSMC1361

Steam Mop

Balai à Vapeur

Trapeador de Vapor

**Please read before returning this product for any reason.
À lire avant de retourner ce produit pour quelque raison que ce soit.
Lea el manual antes de devolver este producto por cualquier motivo.**

 **WARNING: Read all safety warnings, instructions, illustrations and specifications provided in this manual. Failure to follow the warnings and instructions may result in electric shock, fire and/or serious injury.**

Definitions: Safety Alert Symbols and Words

This instruction manual uses the following safety alert symbols and words to alert you to hazardous situations and your risk of personal injury or property damage.


▲ DANGER: Indicates an imminently hazardous situation which, if not avoided, **will** result in **death or serious injury**.

▲ WARNING: Indicates a potentially hazardous situation which, if not avoided, **could** result in **death or serious injury**.

▲ CAUTION: Indicates a potentially hazardous situation which, if not avoided, **may** result in **minor or moderate injury**.

▲ (Used without word) Indicates a safety related message.

NOTICE: Indicates a practice **not related to personal injury** which, if not avoided, **may** result in **property damage**.

 **AVERTISSEMENT : lire toutes les consignes de sécurité, instructions, illustrations et caractéristiques fournies dans le présent manuel.** Le fait de ne pas suivre les avertissements et les instructions peut entraîner un choc électrique, un incendie et/ou des blessures graves.

Définitions : symboles et termes d'alarmes sécurité

Ces guides d'utilisation utilisent les symboles et termes d'alarmes sécurité suivants pour vous prévenir de situations dangereuses et de risques de dommages corporels ou matériels.


▲ DANGER : indique une situation dangereuse imminente qui, si elle n'est pas évitée, **entraînera la mort ou des blessures graves**.

▲ AVERTISSEMENT : indique une situation potentiellement dangereuse qui, si elle n'est pas évitée, **pourrait entraîner la mort ou des blessures graves**.

▲ ATTENTION : indique une situation potentiellement dangereuse qui, si elle n'est pas évitée, **pourrait** entraîner des **blessures légères ou modérées**.

▲ (Si utilisé sans aucun terme) Indique un message propre à la sécurité.

AVIS : indique une pratique ne posant **aucun risque de dommages corporels** mais qui par contre, si rien n'est fait pour l'éviter, **pourrait** poser des **risques de dommages matériels**.

 **ADVERTENCIA: Lea todas las advertencias de seguridad, instrucciones, ilustraciones y especificaciones incluidas en este manual.** La falla en seguir las advertencias e instrucciones puede resultar en descarga eléctrica, incendio y/o lesiones serias.

Definiciones: Símbolos y Palabras de Alerta de Seguridad

Este manual de instrucciones utiliza los siguientes símbolos y palabras de alerta de seguridad para alertarle de situaciones peligrosas y del riesgo de lesiones corporales o daños materiales.

▲ PELIGRO: Indica una situación de peligro inminente que, si no se evita, **provocará la muerte o lesiones graves**.

▲ ADVERTENCIA: Indica una situación de peligro potencial que, si no se evita, **podría provocar la muerte o lesiones graves**.

▲ ATENCIÓN: Indica una situación de peligro potencial que, si no se evita, **posiblemente** provocaría **lesiones leves o moderadas**.

▲ (Utilizado sin palabras) Indica un mensaje de seguridad relacionado.

AVISO: Se refiere a una práctica **no relacionada a lesiones corporales** que de no evitarse **puede** resultar en **daños a la propiedad**.

English (**original instructions**)

7

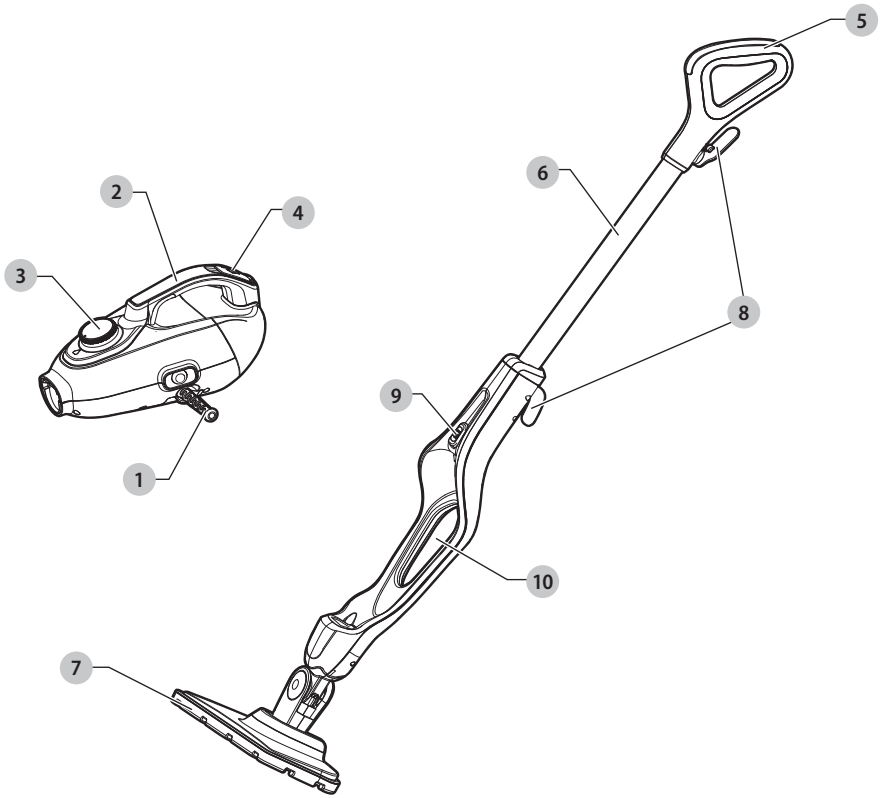
Français (*traduction de la notice d'instructions originale*)

12

Español (*traducido de las instrucciones originales*)

18

Fig. A



- 1 ON/OFF button
- 2 Handheld steam cleaner
- 3 SmartSelect™ steam dial
- 4 Filler cap
- 5 Handle
- 6 Handle tube
- 7 Steam floor head
- 8 Cord hooks
- 9 Release button
- 10 Steam mop body

- 1 Interrupteur MARCHÉ/ARRÊT
- 2 Balai à vapeur portatif
- 3 Cadran vapeur SmartSelect™
- 4 Capuchon de remplissage
- 5 Poignée
- 6 Tube de poignée
- 7 Tête à vapeur
- 8 Crochets à cordon
- 9 Bouton de dégagement
- 10 Corps du balai à vapeur

- 1 Interruptor de ENCENDIDO/APAGADO
- 2 Limpiador de vapor de mano
- 3 Dial de vapor SmartSelect™
- 4 Tapa de llenado
- 5 Mango
- 6 Tubo del mango
- 7 Cabezal de vapor
- 8 Ganchos para el cable
- 9 Botón de liberación
- 10 Trapeador de vapor

- | | | | | | |
|----|-------------------------------------|----|--|----|--|
| 11 | Flexible hose | 11 | Flexible et poignée | 11 | Manguera flexible |
| 12 | Steam glove | 12 | Gant vapeur | 12 | Gant vapeur |
| 13 | Hand insert | 13 | Ouverture pour la main | 13 | Ouverture pour la main |
| 14 | Steam glove hose | 14 | Tuyau | 14 | Tuyau |
| 15 | Quick release tab | 15 | Languette de dégagement rapide | 15 | Languette de dégagement rapide |
| 16 | Microfiber steam glove cleaning pad | 16 | Tampon nettoyeur du gant à vapeur en microfibre | 16 | Tampon nettoyant de microfibra |
| 17 | Small brush (blue) | 17 | Petite brosse (bleue) | 17 | Cepillo pequeño (azul) |
| 18 | Small brush (copper) | 18 | Petite brosse (cuivre) | 18 | Cepillo pequeño (cobre) |
| 19 | Detail grout cleaner | 19 | Accessoire de nettoyage détaillé pour les rainures | 19 | Limpiador de detalles de lechada |
| 20 | Window squeegee and pad | 20 | Raclette à vitre et tampon | 20 | Escurridor para ventanas con la almohadilla |
| 21 | Microfiber cleaning pad | 21 | Tampon nettoyant en microfibres | 21 | Almohadilla de limpieza de microfibra |
| 22 | Large scrub brush (plastic) | 22 | Grande brosse de récurage (plastique) | 22 | Limpiador grande de cepillo para fregar (plástico) |
| 23 | Large scrub brush (wire) | 23 | Grande brosse de récurage (fil électrique) | 23 | Limpiador grande de cepillo para fregar (alambre) |
| 24 | Steam jet nozzle | 24 | Tuyère à vapeur réglable | 24 | Boquilla de inyección variable de vapor |
| 25 | Fabric steamer base | 25 | Base de l'outil à presser | 25 | Base de la plancha de vapor |
| 26 | Fabric steamer steam distributor | 26 | Distributeur de vapeur | 26 | Distribuidor de vapor |
| 27 | Fabric steamer lint brush | 27 | Brosse antipeluche | 27 | Cepillo para pelusa |
| 28 | Carpet glider | 28 | Patin à tapis Balai à vapeur portatif | 28 | Deslizador para alfombras |
| | | 29 | | | |

Fig. A (cont.)

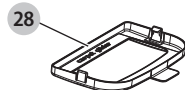
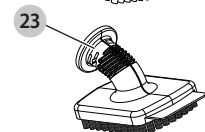
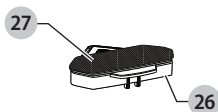
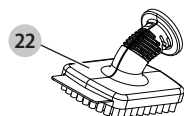
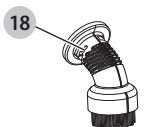
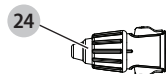
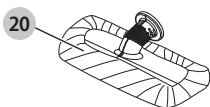
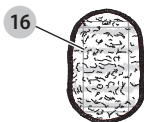
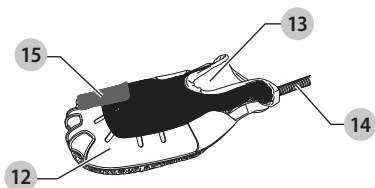
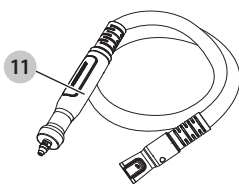


Fig. B

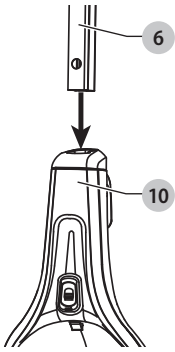


Fig. C

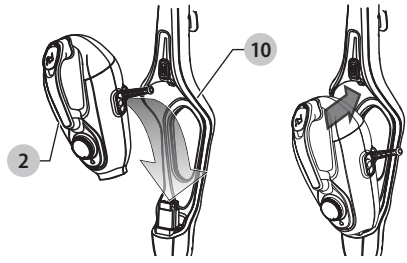


Fig. D

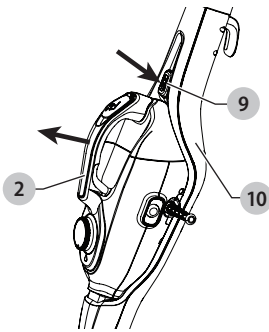


Fig. E

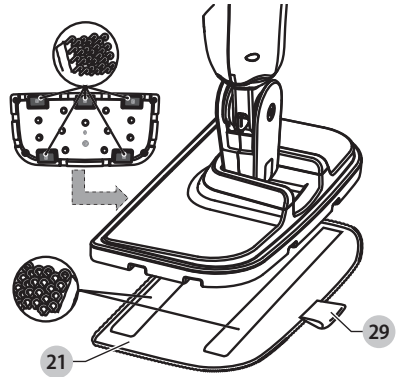


Fig. F

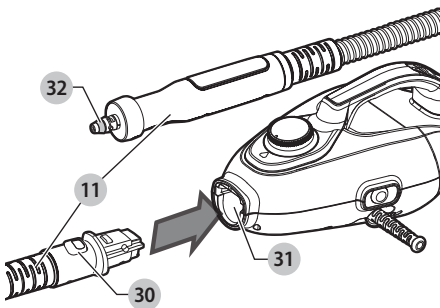


Fig. G

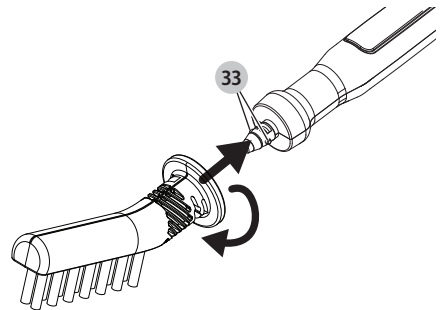


Fig. H

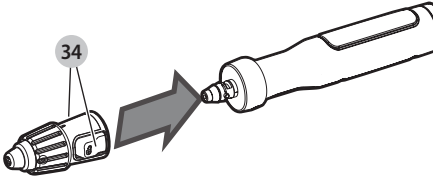


Fig. I

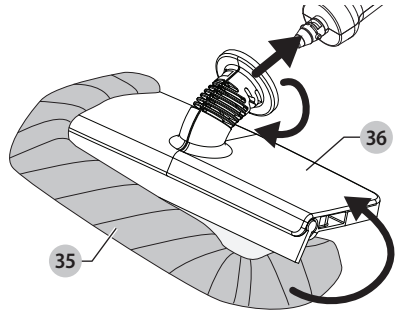


Fig. J

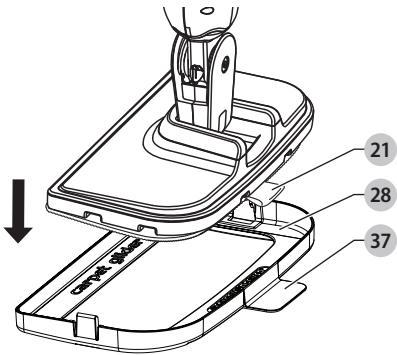


Fig. K



Fig. L

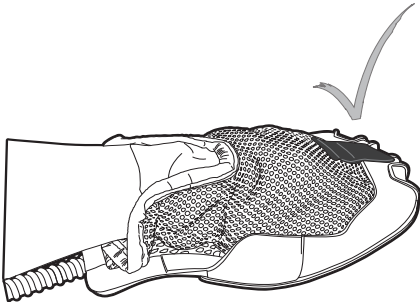


Fig. M

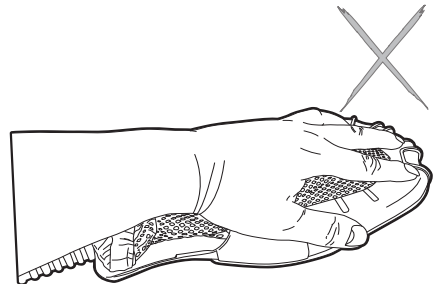


Fig. N

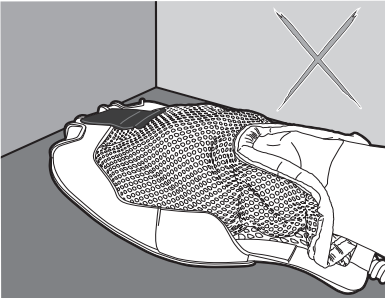


Fig. O

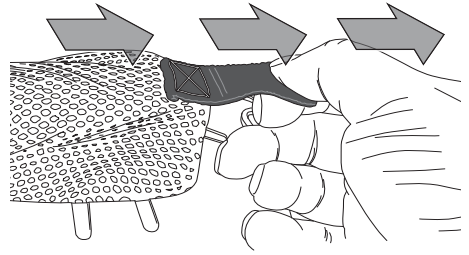


Fig. P

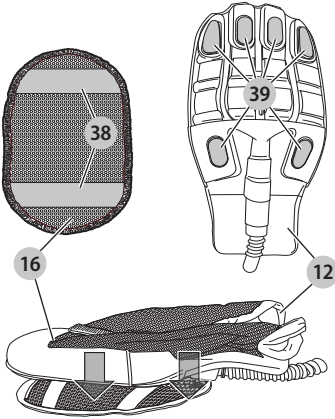


Fig. Q

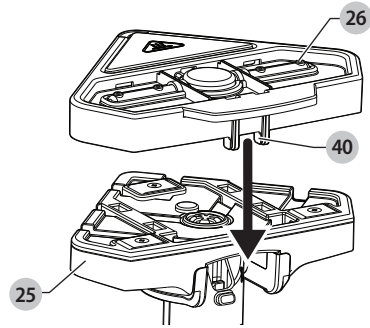


Fig. R

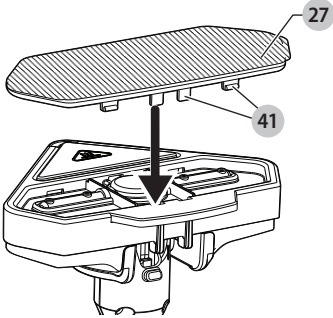


Fig. S

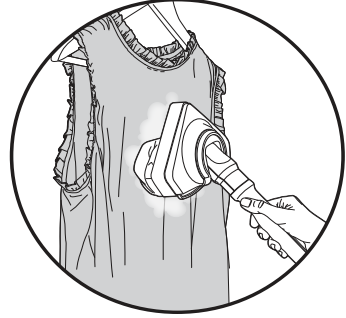
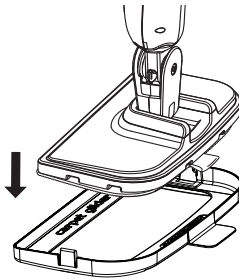


Fig. T



INTENDED USE

Your BLACK+DECKER steam cleaner has been designed for cleaning the following SEALED surfaces: tiles, stainless steel, and wood. If your product includes a steam glove **12** you can also clean SEALED worktops, kitchen surfaces, and bathroom surfaces. Use the appliance in a horizontal position only. This appliance is intended for indoor household use only.

IMPORTANT SAFETY INSTRUCTIONS

When using your appliance, basic precautions should always be followed, including the following:

1. Read all instructions.
2. To reduce the risk of contact with hot water emitting from steam vents, check appliance before each use by holding it away from body and operating steam button.
3. Use appliance only for its intended use.
4. To reduce the risk of electric shock, do not immerse the appliance in water or other liquids.
5. Never yank cord to disconnect from outlet; instead, grasp plug and pull to disconnect.
6. **Do not allow cord to touch hot surfaces. Let appliance cool completely before putting away.** Loop cord loosely around appliance when storing.
7. Always disconnect appliance from electrical outlet when filling with water or emptying, and when not in use.
8. **Do not operate appliance with a damaged cord, or if the appliance has been dropped or damaged. To reduce the risk of electric shock, do not disassemble or attempt to repair the appliance, take it to a qualified service person for examination and repair.** Incorrect reassembly or repair could cause a risk of fire, electric shock, or injury to persons when the appliance is used.
9. **Close supervision is necessary for any appliance being used by or near children.** Do not leave appliance unattended while connected.
10. **Burns could occur from touching hot metal parts, hot water, or steam.** Use care when you turn a steam appliance upside down – there may be hot water in the reservoir.

SAVE THESE INSTRUCTIONS

1. To reduce the likelihood of circuit overload, do not operate another high wattage appliance on the same circuit.
 2. **If an extension cord is absolutely necessary, a 15 ampere rated cord should be used. Cords rated for less amperage may overheat.** Care should be taken to arrange the cord so that the cord cannot be pulled or tripped over.
- ▲ **WARNING:** Read all safety warnings and all instructions. Failure to follow the warnings and instructions listed below may result in electric shock, fire and/or serious injury.
- ▲ **WARNING:** When using electrical appliances, basic safety precautions, including the following, should always be followed to reduce the risk of fire, electric shock, personal injury and material damage.

READ AND FOLLOW ALL INSTRUCTIONS

SAFETY WARNINGS AND INSTRUCTIONS: POLARIZED PLUGS

To reduce the risk of electric shock, this equipment has a polarized plug (one blade is wider than the other). This equipment must be used with a suitable polarized 2 wire or 3 wire extension cord. Polarized connections will fit together only one way. Make sure that the receptacle end of the extension cord has large and small blade slot widths. If the plug does not fit fully into the extension cord, reverse the plug. If it still does not fit, obtain a suitable extension cord. If the extension cord does not fit fully into the outlet, contact a qualified electrician to install the proper outlet. Do not change the tool plug or extension cord in any way.

Minimum Gauge for Cord Sets

Volts	Total Length of Cord in Feet (meters)				
	120 V	25 (7.6)	50 (15.2)	100 (30.5)	150 (45.7)
240 V	50 (15.2)	100 (30.5)	200 (61.0)	300 (91.4)	
Ampere Rating		American Wire Gauge			
More Than	Not More Than				
10	12	16	16	14	12
12	16	14	12	Not Recommended	

Read all of this manual carefully before using the appliance.

- The intended use is described in this manual. The use of any accessory or attachment or the performance of any operation with this appliance other than those recommended in this instruction manual may present a risk of personal injury.
- Retain this manual for future reference.

USING YOUR APPLIANCE

- Do not direct steam at people, animals, electrical appliances or electrical outlets.
- Do not expose to rain.
- Do not immerse the appliance in water.
- Do not leave the appliance unattended. Keep children away from unit while in use.
- Do not leave the appliance connected to an electrical outlet when not in use.
- Never pull the power cord to disconnect the appliance from the socket. Keep the appliance cord away from heat, oil and sharp edges.
- Do not handle steam cleaner with wet hands.
- Do not pull or carry by cord, use cord as a handle, close door on cord, pull cord around sharp corners or expose cord to heated surfaces.
- Do not use appliance in an enclosed space filled with vapor given off by oil-based paint thinner, some moth-proofing substances, flammable dust, or other explosive or toxic vapors.
- Do not use on leather, wax polished furniture or floors, synthetic fabrics, velvet or other delicate, steam-sensitive materials.
- Do not use on any unsealed hard surfaces or painted surfaces. Additionally, on surfaces that have been treated with wax or some no-wax floors, the sheen may be removed by the heat and steam action. It is always recommended

to test an isolated area of the surface to be cleaned before proceeding. We also recommend that you check the use and care instructions from the floor manufacturer.

- Never put de-scaling, aromatic, alcoholic or detergent products into the steam cleaner, as this may damage it or make it unsafe for use.
- If the circuit breaker activates while using the steam function, discontinue product use immediately and contact the customer support center. (Beware of the risk of electrical shock.)
- The appliance emits very hot steam to clean the area of use. This means that the steam floor head and cleaning pads get very hot during use.
- Always wear suitable shoes when using your steam cleaner and when changing the accessories on your steam cleaner. Do not wear slippers or open-toed footwear.
- Steam may escape from the appliance during use.
- Care should be taken when using this appliance. DO NOT touch any parts which may become hot during use.

AFTER USE

- Unplug the appliance and allow to cool.
- When not in use, the appliance should be stored in a dry place.
- Children should not have access to stored appliances.

INSPECTION AND REPAIRS

- Unplug the appliance and allow to cool down before performing any maintenance or repairs.
- Before use, check the appliance for damaged or defective parts. Check for breakage of parts, damage to switches and any other conditions that may affect its operation.
- Regularly check the power cord for damage.
- Do not use the appliance if any part is damaged or defective.
- Have any damaged or defective parts repaired or replaced by an authorized repair agent.
- Never attempt to remove or replace any parts other than those specified in this manual.

SAFETY OF OTHERS

- This appliance is not intended for use by persons (including children) with reduced physical, sensory or mental capabilities, or lack of experience and knowledge, unless they have been given supervision or instruction concerning the use of the appliance by a person responsible for their safety.
- Children should be supervised to ensure that they do not play with the appliance.

Residual Risks

Additional residual risks may arise when using the tool which may not be included in the enclosed safety warnings. These risks can arise from misuse, prolonged use, etc.

Even with the application of the relevant safety regulations and the implementation of safety devices, certain residual risks can not be avoided. These include:

- Injuries caused by touching any moving parts.
- Injuries caused by touching any hot parts.
- Injuries caused when changing any parts or accessories.
- Injuries caused by prolonged use of the appliance. When using any appliance for prolonged periods ensure you take regular breaks.

ASSEMBLY

NOTICE: Each steam mop is 100% tested in the factory to ensure product performance and safety. When assembling your new steam mop for the first time, you may notice water residue inside of the unit.

▲ WARNING: Before attempting any of the following operations, make sure that the appliance is switched off and unplugged and that the appliance is cold and contains minimal or no water.

Attaching the Handle (Fig. B)

- With both cord hooks **8** facing the back, slide the bottom end of the handle tube **6** into the top end of the steam mop body **10** until it is firmly seated and clicks into place.

Attaching the Handheld Steam Cleaner (Fig. C)

- Push the handheld steam cleaner **2** firmly into the steam mop body **10** until it clicks into place.

Removing the Handheld Steam Cleaner (Fig. D)

- Push the release button **9** down and pull the handheld steam cleaner **2** away from the steam mop body **10**.

Attaching a Cleaning Pad (Fig. A, E)

Replacement cleaning pads are available from your BLACK+DECKER dealer (cat. no. SMP20).

- Place a microfiber cleaning pad **21** on the floor with the 'hook & loop' side facing up.
- Press steam mop down onto the cleaning pad. You are now ready to steam clean your floor.

NOTICE: Do not store with a wet pad as this can damage your floor. Always place the steam mop with the handle tube **6** in the upright position when stationary and make sure the steam mop is turned off and unplugged when not in use.

Removing a Cleaning Pad (Fig. E)

▲ CAUTION: Always wear suitable shoes when changing the cleaning pad on your steam mop. Do not wear slippers or open-toed footwear.

1. Return the handle tube **6** to the upright position and turn the steam mop 'OFF'.
2. Wait until it cools down (approximately five minutes).
3. Place the front of your shoe onto the cleaning pad removal tab **29** and press down firmly.
4. Lift the steam mop up off the cleaning pad.

NOTICE: Do not store with a wet pad as this can damage your floor. Always place the steam mop with the handle tube **6** in the upright position when stationary and make sure the steam mop is turned off and unplugged when not in use.

Handheld Steam Cleaner Attachments

NOTICE: Remove the handheld steam cleaner from the steam body after turning off and unplugging the steam mop, and after allowing the steam mop to cool down.

Attaching the Hose and Steam Glove (Fig. F)

1. Firmly press the hose (**11** or **14**) onto the steam nozzle of the handheld steam cleaner so it is fully seated.
2. To remove, depress the hose release button **30**, and pull the hose out of the handheld steam cleaner.

▲ WARNING: Inspect the seal **31** on the handheld steam cleaner **2** and the seal **32** at the end of the hose before each

use (Figure F). If the seal is missing or damaged contact your nearest authorized repair agent. Do not use the appliance.

▲ CAUTION: Ensure that the hose is securely fastened before using the handheld steam cleaner.

Attaching Other Accessories to the Hose (Fig. G)

1. For accessories other than the steam nozzle, align the lugs **33** on the hose with the recesses on the accessory.
2. Press the accessory onto the hose and twist clockwise until the accessory is fully seated and clicks into place.

Attaching Steam Jet Nozzle (Fig. H)

1. Press in the clips **34** on the steam jet nozzle **24**.
2. Align the two keys on the inside flange of the steam jet nozzle with the two slots at the end of the hose **11**.
3. Firmly press the steam jet nozzle onto the hose such that it is fully seated, and release the clips.
4. To remove, press the clips and pull the steam jet nozzle away from the hose.

▲ WARNING: Inspect the seal on the steam nozzle of the hose before each use (Figure H). If the seal is missing or damaged contact your nearest authorized repair agent. Do not use the appliance.

▲ CAUTION: Ensure that the hose and/or steam nozzle is securely fastened before using the handheld steam cleaner.

Attaching Pad to Squeegee (Fig. F, G, I)

▲ WARNING: Burn hazard. Do not use the squeegee and pad on clothes that are being worn.

▲ CAUTION: Wait until steam cleaner cools down to attach or remove the squeegee pad (approximately five minutes).

NOTE: The squeegee pad **35** works only with the window squeegee.

NOTE: To ensure the steamer is safe for a fabric, first test it in an inconspicuous area of the item you are to use it on.

1. Attach the hose **11** to the steam cleaner as described for Figure F.
2. Attach the squeegee **36** to the hose as described for Figure G.
3. Hook the squeegee pad **35** around one side of the squeegee and stretch it to the other side of the squeegee as shown in Figure I. Ensure the pad fully covers the squeegee.

Removing Accessories from the Hose

• For accessories other than the steam nozzle, turn handheld steamer off, unplug, and allow to cool down. Then twist accessory counterclockwise then pull away from the hose.

Attaching the Carpet Glider (Fig. J)

1. Place carpet glider on the floor.
2. Lightly press the steam mop with attached cleaning pad **21** down onto the carpet glider **28** until it clicks into place.

Removing the Carpet Glider

▲ CAUTION: Always wear suitable shoes when changing the carpet glider on your steam mop. Do not wear slippers or open-toed footwear.

1. Return the handle tube **6** to the upright position, turn the steam mop to 'OFF', and unplug.
2. Wait until steam mop cools down (approximately five minutes). Place the front of your shoe onto the carpet glider removal tab **37** and press down firmly.
3. Lift the steam mop up off the carpet glider.

Filling the Water Tank (Fig. K)

NOTICE: Fill the water tank with regular tap water.

NOTICE: In areas of very hard water, the use of deionized water is recommended.

▲ WARNING: Do not overfill the tank.

1. Ensure that the appliance is switched off and the power cord is disconnected from the power supply.
2. Open the filler cap **4** by pulling up (Figure K).
3. Fill the water tank with water.
4. Close the filler cap.

NOTICE: Always empty the water tank after use.

NOTICE: Fill the water tank with clean tap water (do not use any additives or chemicals).

▲ WARNING: When filling, detach from main unit and maintain in a horizontal position.

▲ WARNING: Your water tank has a 17 fl oz (0.5 liter) capacity. Do not overfill the tank.

NOTICE: Ensure the filler cap is firmly secured.

OPERATION

▲ CAUTION: FOR FLOOR AND HANDHELD USE ONLY; DO NOT USE THE UNIT UPSIDE DOWN.

Switching ON/OFF (Fig. A)

NOTICE: It takes approximately 15 seconds for the steam mop to heat up.

- To switch the appliance on, press the ON/OFF button **1**, then turn the SmartSelect™ dial **3** to the desired setting.
- To switch the appliance off, turn the SmartSelect™ dial to off, then press the ON/OFF button.

NOTICE: Never leave the steam mop in one spot on any surface for any period of time. Do not store with a wet pad as this can damage your floor. Always place the steam mop with the handle tube **6** in the upright position when stationary and make sure the steam mop is turned off and unplugged when not in use.

NOTICE: Always empty the water tank after use.

SmartSelect™ Dial (Fig. A)

The steam mop is equipped with a SmartSelect™ steam dial **3** which shows various hard surface cleaning applications. To change the application, turn the SmartSelect™ steam dial until the correct operating mode for your particular hard floor surface is selected.

NOTICE: The dial has an "off" position. There will be no steam flow when the dial is turned to this position.

NOTICE: For garments and carpet, set the dial to the Wood/Laminate setting.

NOTICE: Do not use on any unsealed hard floor surfaces. Additionally, on surfaces that have been treated with wax or some no-wax floors, the sheen may be removed by the heat and steam action. It is always recommended to test an isolated area of the surface to be cleaned before proceeding. We also recommend that you check the use and care instructions from the floor manufacturer.

Using the SmartSelect™ steam dial, choose from one of the following applications. The steam mop will select the correct volume of steam required for your particular cleaning operation.

	Stone/Marble
	Tiles/Vinyl
	Wood/Laminate

Steam Mop Cleaning (Fig. A)

1. Place a cleaning pad **21** on the floor with the 'hook & loop' side facing up.
2. Lightly press it down onto the cleaning pad.
3. Plug the steam mop electric cord into the outlet.
4. Press the ON/OFF button **1**. It takes approximately 15 seconds for the steam mop to heat up.
5. Turn the SmartSelect™ steam dial **3** to the desired setting to activate the steam pump. After a few seconds steam will start to come out of the steam floor head at the rate corresponding to the SmartSelect™ dial setting.

NOTICE: If the system has been run dry it may take up to 30 seconds to prime the system on first use.

NOTICE: It takes a few seconds for steam to enter the cleaning pad. The steam mop will now glide easily over the surface to be cleaned.

6. Push and pull the steam mop slowly across the floor to thoroughly steam clean each section.
7. When you have finished using the steam mop, turn the SmartSelect™ steam dial to off, unplug the steam mop, and wait until the steam mop cools down (approximately five minutes).

Steam Glove (Fig. A, L–O)

▲ WARNING: Always use the steam glove as shown in Figure L, with your hand inside the protective glove.

▲ WARNING: Never attempt to use the steam glove by gripping it externally as shown in Figure M. This will result in scalding.

▲ WARNING: Avoid using the steam glove in tight corners as shown in Figure N.

▲ WARNING: Should a problem occur during use, use the quick release tab **15** to quickly remove the steam glove from your hand as shown in Figure O.

- Attach the steam glove **12** as shown in the **Attaching the Hose and Steam Glove** section.

NOTICE: The SmartSelect™ dial is disabled when the steam glove is attached.

Attaching a Cleaning Pad (Fig. P)

1. Ensure microfiber steam glove is cool and not attached to handheld steam cleaner.
2. Fit a microfiber steam glove cleaning pad **16** to the steam glove **12** by attaching the velcro strips **38** on the back side of the cleaning pad, to the velcro pads **39** on the underside of the steam glove (Figure P).
3. Press down firmly.

4. To use, follow instructions under **Handheld Steam Cleaning**.

▲ WARNING: Do not use the steam glove without a cleaning pad in proper position.

Handheld Steam Cleaning (Fig. A)

1. Turn off and unplug steam mop. After allowing it to cool down, remove the handheld steam cleaner **2** from the steam mop body **10**.
2. Attach the required accessory.
3. Plug handheld steam cleaner electric cord into the outlet.
4. Press the ON/OFF button **1**. It takes approximately 15 seconds for the handheld steam cleaner to heat up.
 - When you have finished using the handheld steam cleaner, turn it 'OFF,' and unplug it. Wait until it cools (approximately five minutes) before reattaching to steam mop body.

Fabric Steamer (Fig. A, F, Q–S)

The fabric steamer allows you to steam and press clothes, linens, and upholstery.

▲ WARNING: Burn hazard. Do not touch the metal plate on the steam distributor. It will cause severe injury. Allow plate to cool for at least 20 minutes before removing or attaching any accessories.

▲ WARNING: Burn hazard. Do not use the fabric steamer on clothes that are being worn.

1. Ensure fabric steamer base **25** and steam distributor **26** are cool and not attached to handheld steam cleaner **2**.
2. Attach the fabric steamer base to the hose **11** (Figure F). Ensure the accessory has snapped securely into place.
3. Place the steam distributor directly on the fabric steamer base so the two prongs **40** clip securely onto the base (Figure Q).
4. Snap the lint brush **27** securely into place (Figure R). Ensure that the four brush clips **41** are on the long side of the fabric steamer base.
5. To use, follow instructions under handheld steam cleaning. Move the brush and steam distributor along the fabric to steam clean and remove wrinkles (Figure S).

NOTE: To ensure the steamer is safe for a fabric, first test it in an inconspicuous area of the item you are to use it on.

Carpet Refreshing (Fig. A)

▲ WARNING: It is important to monitor the water level in the water tank. To refill the water tank and continue to clean, return the handle tube **6** to the upright position and turn the steam mop 'OFF'. Unplug the unit from the wall outlet, and refill the water tank.

▲ CAUTION: Never leave the steam mop in one spot on any surface for any period of time.

1. Place the carpet glider **28** on the floor.
2. Lightly press the steam mop with attached cleaning pad down onto the carpet glider (Figure T).
3. Plug the steam mop electric cord into the outlet.
4. Press the ON/OFF button **1**. It takes approximately 15 seconds for the steam mop to heat up.
5. Turn the SmartSelect™ dial **3** to the Wood/Laminate setting. After a few seconds steam will start to come out of the steam floor head.
6. Push and pull the steam mop slowly across the carpet to thoroughly refresh each section.

Hints for Optimum Use

Using your Steam Mop to Clean and Kill Germs*

▲ **CAUTION:** Never use the steam mop without first attaching a cleaning pad.

▲ **WARNING:** It is important to monitor the water level in the water tank. To refill the water tank and continue to clean, see **Filling the Water Tank** section.

NOTICE: Never leave the steam mop in one spot on any surface for any period of time. Do not store with a wet pad as this can damage your floor. Always place the steam mop with the handle tube 6 in the upright position when stationary and make sure the steam mop is turned off when not in use.

- Before use always prepare the work surface by vacuuming or sweeping up any loose dirt or debris.
- Do not use chemical cleaners with your steam system. To remove stubborn stains from vinyl and linoleum floors, you can pre-treat them with a mild detergent and some water before using the steam mop.
- Allow the steam mop 30 seconds to reach full temperature if starting from cold.
- To clean the surface, tilt the steam mop handle at a 45-degree angle, make direct contact of the microfiber pad to the floor or work surface and push the mop slowly on a small area at a time, making 5 swiping (back and forth) passes.
- Allow the area to air dry before resuming use.
- When used according to the above directions, this mop, with use of the microfiber pad, kills 99.9% of germs*. This product was tested in lab conditions at a cleaning speed of 8 in/s (20 cm/s) making 5 swiping (back and forth) passes on a hard, nonporous floor.

*Test organisms: Salmonella enterica, Staphylococcus aureus, and Aspergillus terreus.

After Use (Fig. A)

- Return the handle tube 6 to the upright position and turn the steam mop 'OFF'.
- Wait until the steam mop cools down (approximately five minutes).
- Unplug the steam mop from the wall outlet.
- Empty the water tank.
- Remove the microfiber cleaning pad (16 or 21) and wash it so that it is ready for the next use. (Take care to follow the wash care instructions printed on the cleaning pad).
- Wrap the electric cord around the cord hooks 8.

NOTE: The top cord hook rotates to easily release the cord for next use.

NOTICE: There is a hanging bracket built into the hand grip which will allow your steam mop to be hung from a suitable hook on the wall. Always ensure that your wall hook is capable of supporting the weight of the steam mop safely.

MAINTENANCE AND CLEANING

Your BLACK+DECKER corded appliance has been designed to operate over a long period of time with a minimum of maintenance. Continuous satisfactory operation depends upon proper appliance care and regular cleaning.

▲ **WARNING:** Before performing any maintenance or cleaning on corded appliances switch off and unplug the appliance.

- Clean your appliance using a soft damp cloth. Never let any liquid get inside the appliance; never immerse any part of the appliance into a liquid.

IMPORTANT: To assure product SAFETY and RELIABILITY, repairs, maintenance and adjustment should be performed by authorized service centers or other qualified service organizations, always using identical replacement parts.

- For stubborn marks you can use a mild solution of soap and water to dampen your cloth.

Care of the Cleaning Pads

NOTICE: Follow the cleaning instructions printed on the label of your cleaning pad.

Wash care instructions - Machine wash warm 140 °F (60 °C) - No bleach - No fabric softener - Air dry only - Allow to dry fully before reuse.

ACCESSORIES

Recommended accessories for use with your appliance are available from your local dealer or authorized service center. If you need assistance regarding accessories, please call:

1-800-544-6986.

▲ **WARNING:** The use of any accessory not recommended for use with this appliance could be hazardous.

SERVICE INFORMATION

All BLACK+DECKER Service Centers are staffed with trained personnel to provide customers with efficient and reliable power tool service. Whether you need technical advice, repair, or genuine factory replacement parts, contact the BLACK+DECKER location nearest you. To find your local service location, call: **1-800-544-6986** or visit www.blackanddecker.com.

Two-Year Limited Warranty

For warranty terms, go to www.blackanddecker.com/warranty.

To request a written copy of the warranty terms, contact: Customer Service at Black & Decker, 701 East Joppa Road, Towson, MD 21286 or call **1-800-544-6986**.

LATIN AMERICA: This warranty does not apply to products sold in Latin America. For products sold in Latin America, check country-specific warranty information contained in the packaging, call the local company or see the website for such information.

UTILISATION PRÉVUE

Votre nettoyeur à vapeur BLACK+DECKER a été conçu pour nettoyer les surfaces ÉTANCHES : les tuiles, l'acier inoxydable et le bois. Si votre produit inclut un gant à vapeur **12**, vous pouvez aussi nettoyer des surfaces ÉTANCHES les surfaces de travail, de cuisine et de salle de bain. Utilisez l'appareil en position horizontale seulement. Cet appareil est conçu pour un usage domestique intérieur seulement.

CONSIGNES DE SÉCURITÉ IMPORTANTES

Pendant l'utilisation de cet appareil, prendre systématiquement des précautions élémentaires, y compris les suivantes :

1. Lire toutes les directives.
2. Pour réduire tout risque de contact avec l'eau chaude émise par les bouches de vapeur, vérifier l'appareil avant chaque utilisation en le maintenant à distance du corps et en appuyant sur le bouton vapeur.
3. N'utiliser l'appareil que pour l'usage il a été conçu.
4. Pour réduire tout risque de chocs électriques, ne pas immerger l'appareil dans l'eau ou tout autre liquide.
5. Ne jamais tirer sur le cordon pour le déconnecter de la prise, saisir plutôt la fiche puis la tirer pour la déconnecter.
6. **Ne pas mettre le cordon en contact avec une surface chaude. Laisser l'appareil refroidir complètement avant de le ranger.** Pour le ranger, entourer le cordon autour de l'appareil, sans le serrer.
7. Déconnecter systématiquement l'appareil du secteur pour le remplir d'eau ou le vider, et après utilisation.
8. **Ne jamais utiliser un appareil avec un cordon endommagé, ou si l'appareil lui-même est tombé ou a été endommagé. Pour réduire tout risque de chocs électriques, ne pas tenter de le réparer ou le démonter. Le ramener auprès d'un technicien qualifié pour le faire examiner et réparer.** L'assembler ou le réparer de façon incorrecte pose des risques d'incendie, de chocs électriques ou de dommages corporels à l'individu utilisant l'appareil.
9. **Faire extrêmement attention lorsqu'un appareil est utilisé par des enfants ou à proximité d'enfants.** Ne pas laisser seul l'appareil alors qu'il est branché sur le secteur.
10. **Toucher les parties métalliques chaudes, l'eau chaude ou la vapeur pose des risques de brûlures.** Faire extrêmement attention si l'on met l'appareil à l'envers, il pourrait rester de l'eau chaude dans le réservoir.

CONSERVER CES DIRECTIVES

1. Pour réduire tout risque de surcharge électrique, ne pas utiliser un autre appareil à wattage élevé sur le même circuit.
2. **Si une rallonge est absolument nécessaire, une rallonge homologuée 15 doit être utilisée. Toute rallonge homologuée pour une tension nominale moindre pourra surchauffer.** Prendre les précautions nécessaires pour que le cordon ne soit pas arraché de sa prise ou fasse trébucher quelqu'un.

▲ AVERTISSEMENT : lire tous les avertissements de sécurité et toutes les consignes. Le non-respect des avertissements et des directives figurant ci-dessous peut entraîner des risques de décharge électrique, d'incendie ou de blessures graves.

▲ AVERTISSEMENT : lorsque des outils électriques sont utilisés, des précautions de base en matière de sécurité, notamment les suivantes, doivent toujours être observées afin de réduire le risque d'incendie, de décharge électrique, de blessures corporelles et de dommages matériels.

LIRE ET SUIVRE TOUTES LES CONSIGNES

AVERTISSEMENTS DE SÉCURITÉ ET DIRECTIVES : FICHES POLARISÉES

Pour réduire le risque de décharge électrique, le présent appareil comporte une fiche polarisée (une broche est plus large que l'autre). Cet équipement doit être utilisé avec une rallonge polarisée appropriée à 2 ou 3 fils. Les connexions polarisées ne peuvent être utilisées que dans un sens. S'assurer que le réceptacle à l'extrémité de la rallonge est équipé de fentes de lame de largeurs différentes (petites et grandes). Si la fiche ne s'insère pas totalement dans la rallonge, la renverser. Si elle ne s'insère toujours pas, se procurer la rallonge appropriée. Si la rallonge ne s'insère pas complètement dans la prise, communiquer avec un électricien professionnel pour qu'il installe une prise appropriée. Ne modifier en aucune façon la fiche de l'outil ou la rallonge.

Calibre minimum pour les cordons d'alimentation

Volts	Longueur totale du cordon d'alimentation en mètre (pieds)						
	7,6 (25)	15,2 (50)	30,5 (100)	45,7 (150)			
240 V	15,2 (50)	30,5 (100)	61,0 (200)	91,4 (300)			
Ampères		AWG					
Plus que	Pas plus que						
0	6	18	16	16	14		
6	10	18	16	14	12		
10	12	16	16	14	12		
12	16	14	12	Non recommandé			

Bien lire tout le mode d'emploi avant d'utiliser l'appareil.

- L'utilisation prévue est décrite dans le présent mode d'emploi. L'utilisation de tout accessoire ou pièce ou encore toute opération réalisée avec cet appareil autre que celles recommandées dans le présent mode d'emploi peut présenter un risque de blessures corporelles.
- Conserver ce mode d'emploi pour un usage ultérieur.

UTILISATION DE L'APPAREIL

- Ne pas diriger la vapeur vers les gens, les animaux, des appareils électriques ou des prises de courant.
- Ne pas exposer à la pluie.
- Ne pas immerger l'appareil dans l'eau.
- Ne pas laisser l'appareil sans surveillance. Tenir les enfants à l'écart de l'appareil lorsqu'il fonctionne.
- Ne pas laisser l'appareil branché à une prise de courant lorsqu'il n'est pas utilisé.
- Ne jamais tirer sur le cordon pour débrancher l'appareil de la prise. Tenir le cordon éloigné de la chaleur, de l'huile et des bords tranchants.
- Ne pas manipuler le balai à vapeur avec des mains mouillées.

- Ne pas tirer sur le cordon ni transporter l'outil par le cordon. Ne pas utiliser le cordon comme poignée, ni fermer une porte dessus, ni tirer le cordon contre des bords tranchants, ni l'exposer à des surfaces chauffées.

- Ne pas utiliser l'appareil dans un endroit fermé rempli de vapeur émanant de diluant pour peintures à l'huile, de certaines substances de traitement antimites, de poussières inflammables ou d'autres vapeurs explosives ou toxiques.

- Ne pas utiliser sur du cuir, des meubles ou des planchers polis à la cire, des tissus synthétiques, du velours ou d'autres tissus délicats sensibles à la vapeur.

- Ne pas l'utiliser sur des sols durs ou des surfaces peintes. En outre, sur les surfaces traitées à la cire ou sur certains planchers sans cire, le lustre peut être enlevé par la chaleur et l'action de la vapeur. Il est toujours recommandé de tester un endroit isolé de la surface à nettoyer avant de procéder. Nous recommandons également de consulter le mode d'emploi et d'entretien fourni par le fabricant de planchers.

- Ne jamais verser de produits de détartrage ou de produits aromatiques, alcoolisés ou détergents dans le balai à vapeur, car cela peut l'endommager ou le rendre non sécuritaire à l'utilisation.

- Si le disjoncteur s'active durant l'utilisation de la fonction vapeur, cesser d'utiliser le produit immédiatement et communiquer avec le centre de soutien à la clientèle. (Attention au risque de décharge électrique.)

- L'appareil émet une vapeur très chaude pour nettoyer l'endroit utilisé. Cela signifie que la tête à vapeur et les tampons nettoyants deviennent très chauds durant l'utilisation.

- Porter systématiquement des chaussures adéquates pendant l'utilisation du nettoyeur à vapeur et pour en changer ses accessoires. Ne pas porter de pantoufles ou de chaussures ouvertes.

- De la vapeur peut s'échapper de l'appareil durant son utilisation.

- Être prudent au moment d'utiliser cet appareil. NE PAS toucher les pièces qui peuvent devenir chaudes durant l'utilisation de l'appareil.

APRÈS USAGE

- Débrancher l'appareil et le laisser refroidir sur le tapis de repos avant de le nettoyer.

- Les enfants ne doivent pas avoir accès aux appareils rangés.

INSPECTION ET RÉPARATIONS

- Débrancher l'appareil et le laisser refroidir sur le tapis de repos avant d'effectuer un entretien ou des réparations.

- Avant son utilisation, vérifier l'appareil à la recherche de pièces endommagées ou défectueuses. Vérifier si des pièces sont brisées, si des interrupteurs sont endommagés et s'il y a d'autres problèmes pouvant compromettre le fonctionnement de l'appareil.

- Vérifier régulièrement si le cordon d'alimentation est endommagé.

- Ne pas utiliser l'appareil si une pièce est endommagée ou défectueuse.

- Faire réparer ou remplacer toute pièce endommagée ou défectueuse par un agent de réparation autorisé.

- Ne jamais tenter d'enlever ou de remplacer toute pièce autre que celles précisées dans ce mode d'emploi.

SÉCURITÉ D'AUTRUI

- Cet appareil ne doit pas être utilisé par des personnes (notamment des enfants) présentant des capacités physiques, sensorielles ou mentales réduites ou ayant un manque d'expérience et de connaissance, à moins qu'elles ne soient supervisées ou informées relativement à l'utilisation de l'appareil par une personne responsable de leur sécurité.

- Les enfants doivent être supervisés afin de s'assurer qu'ils ne jouent pas avec l'appareil.

Risques Résiduels

Des risques résiduels supplémentaires peuvent survenir au moment d'utiliser l'outil et peuvent ne pas figurer dans les avertissements de sécurité aux présentes. Ces risques peuvent se poser en cas d'utilisation inadéquate, d'utilisation prolongée, etc. Il est impossible d'éviter certains risques résiduels malgré le respect de toutes les règles de sécurité pertinentes et l'utilisation de dispositifs de protection. Cela comprend :

- Les blessures causées en touchant des pièces mobiles.

- Les blessures causées en touchant des pièces chaudes.

- Les blessures causées en changeant des pièces ou des accessoires.

- Les blessures causées par une utilisation prolongée de l'appareil. Lorsque l'appareil est utilisé durant de longues périodes, s'assurer de prendre régulièrement une pause.

ASSEMBLAGE

AVISO : chaque balai à vapeur est contrôlé à 100 % en usine pour assurer le rendement et la sécurité du produit.

Au moment d'assembler pour la première fois le balai à vapeur neuf, on peut constater la présence d'eau à l'intérieur du produit.

▲ AVERTISSEMENT : avant de réaliser les opérations suivantes, s'assurer que l'appareil est éteint et débranché, qu'il est froid et qu'il renferme peu ou pas d'eau.

Fixation de la poignée (Fig. A, B)

- Avec les deux crochets à cordon **8** vers l'arrière, glisser l'extrémité basse du guidon tubulaire **6** dans l'extrémité haute du corps du balai à vapeur **10** de manière à ce qu'il tienne solidement et qu'un déclic se fasse entendre.

Fixation de l'accessoire de balai à vapeur portatif (Fig. C)

- Insérer fermement le balai à vapeur portatif **2** dans le corps du balai à vapeur **10** de manière à ce qu'un déclic se fasse entendre.

Retrait de l'accessoire de balai à vapeur portatif (Fig. D)

- Enfoncer le bouton de dégagement **9** et tirer sur le balai à vapeur portatif **2** pour l'extraire du corps du balai à vapeur **10**.

Fixation d'un tampon nettoyant (Fig. A, E)

Des tampons nettoyants de rechange sont offerts auprès du détaillant BLACK+DECKER local (n° de cat. SMP20).

- Mettre le tampon nettoyant en microfibras **21** sur le plancher de manière à ce que le côté 'auto-agrippant' soit vers le haut.

- Puis l'appuyer sur le tampon nettoyant. L'appareil est maintenant prêt à nettoyer à la vapeur le plancher.

AVIS : ne rangez pas avec un tampon humide, car cela risquerait d'endommager votre plancher. Toujours placer la

vadrouille à vapeur avec la poignée **6** en position verticale lorsqu'il est immobile et assurez-vous de la vadrouille à vapeur hors tension lorsque vous ne l'utilisez pas.

Retrait d'un tampon nettoyant (Fig. E)

▲ ATTENTION : toujours porter des chaussures adéquates au moment de changer le tampon nettoyant du balai à vapeur. Ne pas porter des pantoufles ou des chaussures à bout ouvert.

1. Remettre la poignée **6** à la verticale, puis éteindre le balai à vapeur en le mettant sur la position « ARRÊT ».
2. Mettre le balai à vapeur et le laisser refroidir (environ cinq minutes).
3. Mettre la partie avant de la chaussure sur la languette de dégagement **29** du tampon nettoyant et l'enfoncer fermement.
4. Soulever le balai à vapeur du tampon nettoyant.

AVIS : ne rangez pas avec un tampon humide, car cela risquerait d'endommager votre plancher. Toujours placer la vadrouille à vapeur avec la poignée **6** en position verticale lorsqu'il est immobile et assurez-vous de la vadrouille à vapeur hors tension lorsque vous ne l'utilisez pas.

Accessoires de balai à vapeur

REMARQUE : retirer le nettoyeur à vapeur manuel du corps du nettoyeur vapeur après avoir arrêté et débranché le balai vapeur, et laissé le balai vapeur refroidir.

Installation du tuyau et du gant vapeur (Fig. F)

1. Presser fermement le tuyau (**11** ou **14**) sur la buse vapeur du nettoyeur à vapeur portatif de telle sorte qu'il est bien en place.
2. Pour le retirer, appuyez sur le bouton de libération du tuyau **30**, et tirez le tuyau hors du nettoyeur à vapeur manuel.

▲ AVERTISSEMENT : inspectez le joint d'étanchéité **31** sur le nettoyeur de poche de vapeur **2** et le joint **32** à l'extrémité du tuyau avant chaque utilisation (Figure F). Si le joint d'étanchéité est manquant ou endommagé, contacter l'agent de réparation autorisé le plus proche. Ne pas utiliser l'appareil.

▲ ATTENTION : s'assurer que le tuyau, la tuyère réglable ou les deux sont attachés solidement avant d'utiliser l'accessoire de balai à vapeur portatif.

Installation d'autres accessoires au tuyau (Fig. G)

1. Pour les autres accessoires que la tuyère réglable, aligner les pattes **33** du tuyau avec les encoches sur l'accessoire.
2. Enfoncer l'accessoire sur le tuyau et tourner dans le sens horaire jusqu'à ce que l'accessoire soit bien enfoncé et s'enclenche en place.

Fixation de la tuyère réglable (Fig. H)

1. Enfoncer les attaches **34** des deux côtés de la tuyère réglable **24**.
2. Aligner les deux saillies sur la bride intérieure de la tuyère sur les deux fentes qui se trouvent près de la tuyère **11**.
3. Appuyer fermement la tuyère réglable contre la tuyère à vapeur sur le tuyau de façon à bien l'enfoncer et relâcher les attaches.
4. Pour la retirer, appuyez sur les clips et tirez la buse à vapeur hors du tuyau.

▲ AVERTISSEMENT : inspecter le joint d'étanchéité sur la tuyère à vapeur du tuyau avant chaque utilisation (Figure H). Si le joint d'étanchéité est manquant ou endommagé, contacter l'agent de réparation autorisé le plus proche. Ne pas utiliser l'appareil.

▲ ATTENTION : s'assurer que le tuyau, la tuyère réglable ou les deux sont attachés solidement avant d'utiliser l'accessoire de balai à vapeur portatif.

Installation du tampon sur la raclette (Fig. F, G, I)

▲ AVERTISSEMENT : risques de brûlures. Ne pas utiliser la raclette et le tampon sur des vêtements portés.

▲ ATTENTION : attendre que le balai à vapeur refroidisse avant de poser ou de déposer la raclette et le tampon d'outil (environ cinq minutes).

REMARQUE : l'outil à le tampon **35** fonctionne uniquement avec la raclette à vitre

REMARQUE : pour vérifier que l'outil à presser est sans risque pour le tissu, commencer par l'essayer sur une partie discrète du vêtement.

- Attacher le tuyau **11** au balai à vapeur selon la description associée à la Figure F.
- Attacher la raclette **36** au tuyau selon la description associée à la Figure G.
- Accrocher le capuchon d'outil à presser le tampon **35** d'un côté de la raclette et l'étirer vers l'autre côté de la raclette comme l'illustre la Figure I. S'assurer que l'outil à presser les vêtements couvre entièrement la raclette.

Démontage des accessoires du tuyau

- Pour tout accessoire autre que la buse à vapeur, arrêtez le balai vapeur, puis débranchez-le et laissez-le refroidir. Puis tournez l'accessoire vers la gauche et retirez-le du tuyau.

Fixation du patin à tapis (Fig. J)

1. Mettre le patin à tapis sur le sol.
2. Appliquer une légère pression sur le balai à vapeur, avec le tampon nettoyeur **21** en place, contre le patin à tapis **28** de manière à ce qu'un dé clic se fasse entendre.

Depose du patin à tapis

▲ ATTENTION : toujours porter des chaussures adéquates au moment de changer le patin à tapis du balai à vapeur. Ne pas porter des pantoufles ou des chaussures à bout ouvert.

1. Remettre la poignée **6** à la verticale, puis éteindre le balai à vapeur en le mettant sur la position « ARRÊT ».
2. Attendez que le balai vapeur refroidisse (environ cinq minutes). Mettre la partie avant de la chaussure sur la languette de dégagement **37** du patin à tapis et l'enfoncer fermement.
3. Soulever le balai à vapeur du patin à tapis.

Reservoir d'eau (Fig. K)

AVIS : remplir le réservoir d'eau avec de l'eau du robinet.

AVIS : dans les régions où l'eau est très dure, il est recommandé d'utiliser de l'eau désionisée.

▲ AVERTISSEMENT : ne pas trop remplir le réservoir.

1. S'assurer que l'appareil est éteint et que le cordon est débranché de l'alimentation.
2. Soulevez le capuchon de remplissage **4** pour l'ouvrir (Figure K).
3. Remplissez le réservoir d'eau.
4. Fermer le capuchon de remplissage.

AVIS : toujours vider le réservoir d'eau après l'avoir utilisé.

AVIS : remplir le réservoir d'eau avec de l'eau claire du robinet (n'utiliser aucun additif ou produit chimique).

▲ AVERTISSEMENT : pour le remplir, détacher le réservoir du corps de l'appareil et le maintenir en position horizontale.

▲ AVERTISSEMENT : votre réservoir d'eau a une capacité de 17 oz liq. (0,5 litre). Ne pas trop remplir le réservoir.

AVIS : s'assurer que le capuchon de remplissage est fermement resserré.

FONCTIONNEMENT

▲ ATTENTION : UTILISATION POUR LE PLANCHER SEULEMENT; NE PAS UTILISER L'APPAREIL A L'ENVERS.

Allumer et éteindre l'appareil

AVIS : il faut environ 15 secondes pour que le balai à vapeur se réchauffe.

• Pour mettre l'appareil en marche, appuyez sur l'interrupteur marche/arrêt **1**, puis tournez le cadran SmartSelect^{MC} **3** sur le réglage désiré.

• Pour arrêter l'appareil, tournez le cadran Smartselect^{MC} sur arrêt, puis appuyez sur l'interrupteur marche/arrêt.

AVIS : ne jamais laisser le balai à vapeur à un endroit, peu importe la surface, pendant une période de temps.

ne rangez pas avec un tampon humide, car cela risquerait d'endommager votre plancher. Toujours placer la vadrouille à vapeur avec la poignée **6** en position verticale lorsqu'il est immobile et assurez-vous de la vadrouille à vapeur hors tension lorsque vous ne l'utilisez pas.

AVIS : toujours vider le balai à vapeur après l'avoir utilisé.

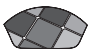


Cadran SmartSelect^{MC} (Fig. A)

Le balai à vapeur est pourvu d'un cadran SmartSelect^{MC} **3** qui indique diverses applications de nettoyage pour les surfaces de sols durs. Pour changer d'application, tournez la molette SmartSelect^{MC} jusqu'à ce que le mode de fonctionnement correct pour votre surface de sol dur particulier est sélectionné.

AVIS : le cadran a une position « ARRÊT ». Sur cette position du cadran, aucune vapeur ne s'échappe.

AVIS : pour les vêtements et les tapis, réglez le cadran sur le réglage Bois/Stratifiés.

AVIS : ne pas utiliser sur du bois non scellé ou des planchers lamellés non scellés, car l'humidité provenant de la vapeur pourrait causer des dommages. En outre, sur les surfaces traitées à la cire ou sur certains planchers sans cire, le lustre peut être enlevé par la chaleur et l'action de la vapeur. Il est toujours recommandé de tester un endroit isolé de la surface à nettoyer avant de procéder. Nous recommandons également de consulter le mode d'emploi et d'entretien fourni par le fabricant de planchers.

	Pierre/marbre
	Carreaux/vinyle
	Bois dur/bois lamellé

Nettoyage a la vapeur (Fig. A)

1. Mettre un tampon nettoyant **21** sur le plancher de manière à ce que le côté 'auto-agrippant' soit vers le haut.
2. Appuyer légèrement sur le tampon nettoyant.
3. Brancher le cordon d'alimentation du balai à vapeur dans la prise.
4. Appuyer sur le bouton MARCHE/ARRÊT **1**. Il faut environ 15 secondes pour que le balai à vapeur se réchauffe.
5. Tournez le cadran SmartSelect^{MC} **3** sur le réglage désiré pour activer la pompe à vapeur. Au bout de quelques secondes, la vapeur commence à sortir de la tête de sol vapeur au débit correspondant du réglage du cadran SmartSelect^{MC}.

AVIS : si l'appareil est tombé à sec, la remise en marche peut prendre jusqu'à 30 secondes.

AVIS : il faut quelques secondes pour que la vapeur pénètre dans le tampon nettoyant. Le balai à vapeur glissera maintenant facilement sur la surface à nettoyer.

6. Pousser et tirer le balai à vapeur lentement sur le plancher afin de bien nettoyer à la vapeur chaque section.
7. Une fois l'utilisation du balai vapeur terminée, ramenez la poignée en station verticale, arrêtez le balai vapeur, débranchez-le puis attendez que le balai vapeur refroidisse (environ cinq minutes).

Gant vapeur (Fig. A, L-0)

▲ AVERTISSEMENT : utiliser systématiquement le gant vapeur comme illustré en Figure L, avec la main à l'intérieur du gant protecteur.

▲ AVERTISSEMENT : ne jamais tenter d'utiliser le gant vapeur en le maintenant par l'extérieur, comme illustré en Figure M. Cela pose des risques de brûlures graves.

▲ AVERTISSEMENT : éviter d'utiliser le gant vapeur dans les coins étroits, comme illustré en Figure N.

▲ AVERTISSEMENT : en cas de problème en cours d'utilisation, utiliser la languette de dégagement rapide **15** pour retirer rapidement le gant vapeur de la main, comme illustré en Figure O.

• Rattachez le gant vapeur **12**, comme illustré dans la section « Installation du tuyau et du gant vapeur ».

AVIS : le cadran SmartSelect^{MC} est désactivé lorsque le gant vapeur est installé.

Installation d'un tampon nettoyant (Fig. P)

1. Assurez-vous que le gant à vapeur en microfibre est refroidi et non fixé au nettoyeur à vapeur portatif.
2. Fixez un tampon nettoyeur du gant à vapeur en microfibre **16** au gant à vapeur **12** en fixant les bandes Velcro **38** à l'arrière du tampon nettoyeur, aux tampons en Velcro **39** à l'intérieur du gant à vapeur (Figure P).
3. Appuyez fermement vers le bas.
4. Pour l'utiliser, suivez les instructions sous la section Nettoyage au balai à vapeur portatif.

▲ AVERTISSEMENT : ne pas utiliser le gant vapeur sans un tampon nettoyant correctement installé.

Nettoyage au balai à vapeur portatif (Fig. A)

1. Arrêtez et débranchez le balai vapeur. Une fois refroidi, retirez le nettoyeur à vapeur portatif **2** du corps du balai vapeur **10**.
2. Attacher l'accessoire requis.

3. Brancher le cordon d'alimentation du balai à vapeur portatif dans la prise.
4. Appuyer sur le bouton MARCHÉ/ARRÊT 1. Il faut environ 15 secondes pour que le balai à vapeur portatif se réchauffe.
 - Après avoir terminé d'utiliser le balai à vapeur portatif, puis éteindre l'accessoire en le mettant sur la position « ARRÊT ». Le balai refroidir (environ cinq minutes) avant de le remonter sur le corps du balai à vapeur.

Nettoyeur vapeur tissu (Fig. A, F, Q-S)

Le nettoyeur vapeur tissu permet de nettoyer à la vapeur et défroisser les vêtements, le linge de maison et les tissus d'ameublement.

▲ AVERTISSEMENT : risque de brûlure. Ne pas toucher la plaque métallique sur le distributeur de vapeur. Cela provoquera de graves blessures. Laisser la plaque refroidir au moins 20 minutes avant de poser ou de déposer des accessoires.

▲ AVERTISSEMENT : risque de brûlure. Ne pas utiliser l'outil à presser sur des vêtements que l'on a sur le corps.

1. Assurez-vous que la base du nettoyeur vapeur tissu 25 et le distributeur de vapeur 26 sont froids et qu'ils ne sont pas rattachés au nettoyeur à vapeur manuel 2.
2. Rattachez la base du nettoyeur vapeur tissu au tuyau 11 (Figure F). Assurez-vous que l'accessoire est soigneusement enclenché.
3. Placez le distributeur de vapeur directement sur la base du nettoyeur vapeur tissu de façon à ce que les deux lames 40 se clipsent sur la base (Figure Q).
4. Enclenchez soigneusement la brosse antipeluche 27 (Figure R). Assurez-vous que les quatre clips de la brosse 41 se trouvent sur le côté le plus long de la base du nettoyeur vapeur tissu.
5. Pour l'utiliser, suivez les instructions sous la section Nettoyage au balai à vapeur portatif. Déplacez la brosse et le distributeur de vapeur le long du tissu pour le nettoyer à la vapeur et le défroisser (Figure S).

AVIS : le distributeur de vapeur peut être utilisé seul, sans brosse.

Rafraîchir les Tapis (Fig. A)

▲ AVERTISSEMENT : il est important de surveiller le niveau de l'eau dans le réservoir d'eau. Pour remplir le réservoir d'eau et continuer de nettoyer, remettez le tube de la poignée 6 en position verticale et éteignez le balai à vapeur. Débranchez l'appareil de la prise murale, remplissez le réservoir d'eau.

▲ ATTENTION : ne jamais laisser le balai à vapeur à un endroit, peu importe la surface, pendant une période de temps.

1. Mettre le patin à tapis 28 sur le sol.
2. Appliquer une légère pression sur le balai à vapeur, avec le tampon nettoyant en place, contre le patin à tapis de manière à ce qu'un déclic se fasse entendre (Figure T).
3. Brancher le cordon d'alimentation du balai à vapeur dans la prise.
4. Appuyer sur le bouton MARCHÉ/ARRÊT 1. Il faut environ 15 secondes pour que le balai à vapeur se réchauffe.
5. Appuyer sur le bouton SmartSelect^{MC} 3 jusqu'au réglage Bois dur/bois lamellé.
6. Pousser et tirer le balai à vapeur lentement sur le tapis afin de bien rafraîchir chaque section.

Conseils pour une utilisation optimale

Utiliser votre balai à vapeur pour nettoyer et détruire les microbes*

▲ ATTENTION : ne jamais utiliser le balai à vapeur sans d'abord fixer un tampon nettoyeur.

▲ AVERTISSEMENT : il est important de surveiller le niveau dans le réservoir d'eau. Pour remplir le réservoir d'eau et continuer de nettoyer, consultez la section Remplir le réservoir d'eau.

AVIS : ne jamais laisser le balai à vapeur au même endroit sur toute surface pendant un certain temps. Ne pas entreposer avec un tampon humide, car cela peut endommager votre plancher. Placez toujours le balai à vapeur avec le tube de la poignée 6 en position verticale lorsqu'il est immobile et assurez-vous que le balai est éteint lorsqu'il n'est pas utilisé.

- Préparez toujours la surface de travail avant utilisation en aspirant ou en balayant les saletés ou débris libres.
- N'utilisez pas de nettoyants chimiques avec votre système vapeur. Pour enlever des taches tenaces des planchers de vinyle et de linoléum, vous pouvez les traiter au préalable avec un détergent doux et un peu d'eau avant d'utiliser le balai à vapeur.
- Laissez 30 secondes au balai à vapeur pour atteindre sa température complète si vous démarrez à froid.
- Pour nettoyer la surface, inclinez la poignée du balai à vapeur selon un angle de 45 degrés, mettez le coussinet en microfibre directement en contact avec le sol ou la surface de travail et poussez le balai lentement sur une petite surface à la fois, en 5 passages (d'avant en arrière).
- Laissez sécher la zone à l'air libre avant de reprendre l'utilisation.
- Lorsqu'il est utilisé conformément aux instructions ci-dessus, ce balai, associé au coussinet en microfibre, détruit 99,9% des microbes*. Ce produit a été testé dans des conditions de laboratoire, à une vitesse de 20 cm/s (8 po/s) en 5 passages (d'avant en arrière) sur un sol dur non poreux.

*Organismes testés : staphylococcus aureus, Escherichia coli et Aspergillus terreus.

Après usage (Fig. A)

- Remettre la poignée 6 à la verticale, puis éteindre le balai à vapeur en le mettant sur la position « ARRÊT ».
- Mettre le balai à vapeur et le laisser refroidir (environ cinq minutes).
- Débrancher le balai à vapeur de la prise murale.
- Videz le réservoir d'eau.
- Retirez le tampon nettoyeur en microfibre (16 ou 21) et lavez-le afin qu'il soit prêt pour la prochaine utilisation. (Assurez-vous de suivre les instructions d'entretien imprimées sur le tampon nettoyeur).
- Enrouler le cordon d'alimentation autour des crochets à cordon 8.

AVIS : le crochet à cordon supérieur tourne afin de dégager facilement le cordon pour sa prochaine utilisation.

AVIS : la poignée étant à la verticale, le cordon bien enroulé autour des crochets, le balai à vapeur se suffit à lui-même et est prêt à être rangé. Un support de suspension intégré à la poignée permet aussi de pendre le balai à vapeur au mur sur un crochet approprié. Toujours s'assurer que le crochet mural peut soutenir le poids du balai à vapeur de manière sécuritaire.

ENTRETIEN ET NETTOYAGE

L'appareil avec fil BLACK+DECKER a été conçu pour fonctionner longtemps et demander un minimum d'entretien. Un fonctionnement satisfaisant continu dépend du bon entretien et du nettoyage régulier de l'appareil.

▲ AVERTISSEMENT : *avant de procéder à tout entretien ou nettoyage d'un appareil avec fil, éteindre l'appareil et le débrancher.*

- Nettoyer l'appareil à l'aide d'un chiffon humecté doux. Ne jamais laisser de liquide pénétrer dans l'appareil; ne jamais immerger une partie de l'appareil dans un liquide.

IMPORTANT : pour garantir la SÉCURITÉ et la FIABILITÉ du produit, les réparations, l'entretien et le réglage doivent être réalisés par un centre de réparation autorisé ou tout autre centre de réparation professionnel, et des pièces de rechange identiques doivent être utilisées.

- Pour enlever les taches tenaces, on peut utiliser une solution savonneuse douce pour humecter le chiffon.

Entretien des tampons nettoyant

AVIS : *respecter les directives de nettoyage imprimées sur l'étiquette du tampon nettoyant.*

Directives de lavage - Laver à la machine à l'eau tiède, soit 60 °C (140 °F) - Aucun javellisant - Aucun assouplissant - Sécher à l'air seulement - Laisser complètement sécher avant de réutiliser.

ACCESSOIRES

Les accessoires recommandés pouvant être utilisés avec l'appareil sont disponibles auprès du détaillant local ou du centre de réparation autorisé. Pour obtenir de l'aide concernant les accessoires, composer le : **1-800-544-6986**.

▲ AVERTISSEMENT : *l'utilisation de tout accessoire non recommandé avec cet appareil pourrait s'avérer dangereuse.*

Information sur les réparations

Tous les centres de réparation BLACK+DECKER sont dotés de personnel qualifié en matière d'outillage électrique; ils sont donc en mesure d'offrir à leur clientèle un service efficace et fiable. Que ce soit pour un avis technique, une réparation ou des pièces de rechange authentiques installées en usine, communiquer avec l'établissement BLACK+DECKER le plus près de chez vous. Pour trouver l'établissement de réparation de votre région, composer le numéro suivant : **1-800-544-6986** ou consulter le site **www.blackanddecker.com**.

Garantie limitée de deux ans

Pour les conditions de la garantie, consultez le site **www.blackanddecker.com/warranty**.

Pour demander une copie écrite des conditions de la garantie, contactez : Service à la clientèle chez BLACK+DECKER, 701 East Joppa Road, Towson, MD 21286 ou appelez le **1-800-544-6986**.

AMÉRIQUE LATINE : la présente garantie ne s'applique pas aux produits vendus en Amérique Latine. Pour les produits vendus en Amérique Latine, vérifiez les renseignements sur la garantie particulière au pays comprise dans l'emballage, appelez l'entreprise locale ou consultez le site Web pour les renseignements complets à propos de la garantie.

USO PRETENDIDO

Su limpiador a vapor BLACK+DECKER ha sido diseñado para limpiar las siguientes superficies SELLADAS: azulejos, acero inoxidable, y madera. Si su producto incluye el Guante de vapor 12, también puede limpiar superficies SELLADAS superficies de trabajo, superficies de cocina, y superficies de baño. Use el aparato en posición horizontal únicamente. Este aparato está diseñado para uso doméstico en interiores únicamente.

INSTRUCCIONES DE SEGURIDAD IMPORTANTES

Al utilizar su aparato, siempre deben seguirse precauciones básicas, incluidas las siguientes:

1. Lea todas las instrucciones
2. Para reducir el riesgo de contacto con las ranuras de ventilación que emiten agua caliente, compruebe el aparato antes de cada uso sujetándolo lejos del cuerpo y activando el botón de vapor.
3. Use el aparato solamente para el fin para el que se diseñó.
4. Para reducir el riesgo de descarga eléctrica, no sumerja el aparato en agua ni en ningún otro líquido.
5. No tire nunca del cable para desconectar de la toma de corriente; en cambio, agarre el enchufe y tire para desconectar.
6. **No permita que el cable toque superficies calientes. Deje que el aparato se enfríe por completo antes de guardarlo.** Al guardarlo, enrolle el cable alrededor del aparato sin apretar.
7. Desconecte siempre el aparato de la toma de corriente al llenarlo de agua o vaciarlo y cuando no esté utilizándolo.
8. **No utilice el aparato con un cable dañado, o si el aparato se ha caído o está dañado. Para reducir el riesgo de descarga eléctrica, no desensamble o intente reparar el aparato, llévelo a un técnico de servicio calificado para que sea examinado y reparado.** Un ensamblaje o reparación incorrectos podría causar un riesgo de incendio, descarga eléctrica o lesión a personas cuando esté utilizándose el aparato.
9. **Es preciso prestar una atención especial cuando cualquier aparato sea utilizado por niños o cerca de ellos.** No deje el aparato desatendido mientras está conectado.
10. **Pueden producirse quemaduras al tocar las piezas metálicas calientes, el agua caliente o el vapor.** Tenga cuidado cuando ponga boca abajo un aparato de vapor – puede haber agua caliente en el depósito.

GUARDE ESTAS INSTRUCCIONES

1. Para reducir la probabilidad de sobrecarga del circuito, no opere otro aparato con alto vataje en el mismo circuito.
2. Si un alargador es absolutamente necesario, debe usarse un cable de amperaje nominal 15. Los cables calificados para un amperaje menor pueden sobrecalentarse. Debe tenerse cuidado al arreglar el cable para que no se pueda tirar de él o tropezar con él

▲ ADVERTENCIA: Lea todas las advertencias de seguridad y todas las instrucciones. El incumplimiento de cualquiera de las advertencias e instrucciones indicadas a continuación puede provocar una descarga eléctrica, un incendio y/o lesiones graves.

▲ ADVERTENCIA: Al utilizar artefactos eléctricos, siempre se deben tomar precauciones básicas de seguridad, incluidas las siguientes, para reducir el riesgo de incendios, descargas eléctricas, lesiones personales y daños materiales.

LEA Y SIGA TODAS LAS INSTRUCCIONES

ADVERTENCIAS E INSTRUCCIONES DE SEGURIDAD: ENCHUFES POLARIZADOS

Para reducir el riesgo de descargas eléctricas, este equipo posee un enchufe polarizado (una clavija es más ancha que la otra). Este equipo debe utilizarse con un cable prolongador polarizado bifilar o trifilar adecuado. Las conexiones polarizadas encajarán entre sí de una sola manera. Verifique que el extremo del receptáculo del cable prolongador tenga una ranura para clavija más ancha y la otra menos ancha. Si el enchufe no encaja por completo en el cable prolongador, voltéelo. Si aún así no encaja, obtenga un cable prolongador adecuado. Si el cable prolongador todavía no encaja por completo en el tomacorriente, comuníquese con un electricista calificado para instalar el tomacorriente adecuado. No altere el enchufe de la herramienta ni el cable prolongador de ninguna manera.

Calibre mínimo de conjuntos de cables

Voltios	Longitud total del cable en pies (metros)					
	120 V	25 (7,6)	50 (15,2)	100 (30,5)	150 (45,7)	
240 V	50 (15,2)	100 (30,5)	200 (61,0)	300 (91,4)		
Amperaje nominal Más de Más de	AWG					
	0	6	18	16	16	14
	6	10	18	16	14	12
	10	12	16	16	14	12
	12	16	14	12	Not Recommended	

Lea atentamente la totalidad de este manual antes de utilizar el artefacto.

- El uso previsto se describe en este manual. El uso de cualquier accesorio o aditamento, o la realización de cualquier operación con este artefacto que no sean los recomendados en este manual de instrucciones puede presentar un riesgo de lesiones personales.

- Conserve este manual para futuras consultas.

USO DEL ARTEFACTO

- No dirija el vapor hacia personas, animales, artefactos eléctricos o tomacorrientes.
- No lo exponga a la lluvia.
- No sumerja el artefacto en agua.
- No deje el artefacto sin supervisión. Mantenga a los niños alejados de la unidad mientras esté en uso.
- No deje el artefacto conectado a un tomacorriente cuando no esté en uso.
- Nunca tire del cable de alimentación para desconectar el artefacto del receptáculo. Mantenga el cable del artefacto alejado del calor, el aceite y los bordes afilados.

- No manipule el limpiador de vapor con las manos mojadas.
- No lo arrastre ni transporte por el cable, no utilice el cable como un mango, no cierre una puerta apretando el cable, no tire del cable cerca de esquinas filosas ni exponga el cable a superficies calientes.
- No lo utilice en un espacio cerrado lleno de vapores emitidos por solventes para pintura a base de aceite, algunas sustancias para tratamiento antipolilla, polvo inflamable u otros vapores explosivos o tóxicos.
- No lo utilice sobre cuero, muebles o pisos lustrados con cera, telas sintéticas, terciopelo u otros materiales delicados y sensibles al vapor.
- No lo use en superficies de piso duras no selladas o superficies pintadas. Tampoco, en superficies que se han tratado con cera o en algunos pisos que no requieren cera, la acción del calor y el vapor puede eliminar el brillo. Siempre se recomienda hacer una prueba en un área aislada de la superficie a limpiar antes de proceder. Le recomendamos también que revise las instrucciones de uso y cuidado del fabricante del piso.
- Nunca aplique productos decapantes, aromáticos, alcohólicos o detergentes en el trapeador de vapor, ya que esto podría dañarlo o hacer que su uso sea peligroso.
- Si el interruptor automático se activa mientras utiliza la función de vapor, suspenda el uso del producto inmediatamente y comuníquese con el centro de atención al cliente. (Tenga en cuenta el riesgo de descargas eléctricas).
- El artefacto emite vapor muy caliente para limpiar el área de uso. Esto significa que el cabezal de vapor y las almohadillas de limpieza se calientan mucho durante el uso.
- Lleve siempre calzado adecuado cuando use el limpiador de vapor y al cambiar los accesorios del mismo. No lleve zapatillas o calzado con los dedos descubiertos.
- Es posible que escape vapor del artefacto durante el uso.
- Se debe tener cuidado al utilizar este artefacto. NO toque ninguna pieza que tal vez se caliente durante el uso.

DESPUÉS DEL USO

- Desenchufe el artefacto y déjelo enfriar sobre la estera de apoyo antes de limpiarlo.
- Cuando no esté en uso, el artefacto debe guardarse en un lugar seco.
- Los niños no deben tener acceso a los artefactos guardados.

INSPECCIÓN Y REPARACIONES

- Desenchufe el artefacto y déjelo enfriar sobre la estera de apoyo antes de realizar cualquier mantenimiento o reparación.
- Antes del uso, revise si el artefacto presenta piezas dañadas o defectuosas. Verifique si hay piezas rotas, interruptores dañados y cualquier otra condición que puedan afectar su funcionamiento.
- Revise periódicamente si el cable de alimentación presenta daños.
- No utilice el artefacto si alguna pieza está dañada o defectuosa.
- Haga que un agente de reparaciones autorizado repare o reemplace toda pieza dañada o defectuosa.
- Nunca intente retirar o reemplazar ninguna pieza, salvo las especificadas en este manual.

SEGURIDAD DE LOS DEMÁS

- Este artefacto no está diseñado para ser utilizado por personas (incluidos los niños) con capacidades físicas, sensoriales o mentales limitadas, o que carezcan de experiencia y conocimientos, salvo que una persona encargada de su seguridad les haya supervisado o instruido sobre el uso del artefacto.
- Se debe supervisar a los niños para asegurarse de que no jueguen con el artefacto.

Riesgos residuales

Al utilizar la herramienta, pueden presentarse riesgos residuales adicionales, que tal vez no estén incluidos en las presentes advertencias de seguridad. Estos riesgos pueden deberse al uso indebido, al uso prolongado, etc. Aún con la aplicación de las normas de seguridad correspondientes y la implementación de los dispositivos de seguridad, existen ciertos riesgos residuales que no se pueden evitar. Estos incluyen:

- Lesiones provocadas al tocar cualquiera de las piezas móviles.
- Lesiones provocadas al tocar cualquiera de las piezas calientes.
- Lesiones provocadas al cambiar cualquier pieza o accesorio.
- Lesiones provocadas por el uso prolongado del artefacto. Al utilizar cualquier artefacto durante períodos prolongados, asegúrese de tomar descansos regulares.

ENSAMBLAJE

AVISO: Cada trapeador de vapor se somete íntegramente a pruebas en la fábrica para garantizar el rendimiento y la seguridad del producto. Al ensamblar el nuevo trapeador de vapor por primera vez, posiblemente note residuos de agua dentro de la unidad.

▲ ADVERTENCIA: Antes de intentar cualquiera de las siguientes operaciones, verifique que el artefacto esté apagado y desenchufado, y que esté frío y contenga muy poca o nada de agua.

Conexión del mango (Fig. A, B)

- Con ambos ganchos para el cable **8** mirando hacia atrás, deslice el extremo inferior del tubo del mango **6** dentro del extremo superior de cuerpo del trapeador de vapor **10** hasta que encaje firmemente en su lugar y se escuche un clic.

Instalación del limpiador de vapor de mano (Fig. C)

- Empuje firmemente el limpiador de vapor de mano **2** en el cuerpo del trapeador de vapor **10** hasta que encaje en su lugar y se escuche un clic.

Extracción del limpiador de vapor de mano (Fig. D)

- Empuje firmemente el botón de liberación **9** y tire del limpiador de vapor de mano **2** separándolo del cuerpo del trapeador de vapor **10**.

Instalación de una almohadilla de limpieza (Fig. A, E)

Puede obtener almohadillas de limpieza de repuesto del distribuidor BLACK+DECKER (n.º cat. SMP20).

- Coloque una almohadilla de limpieza de microfibras **21** sobre el piso con el lado tipo velcro hacia arriba.
- Presiónelo levemente sobre la almohadilla de limpieza. Ahora está listo para limpiar el piso con vapor.

AVISO: No almacene con un cojín mojado ya que esto puede dañar su piso. Siempre coloque la fregona del vapor con el mango **6** en posición vertical cuando estacionario y asegúrese que la fregona del vapor está apagada cuando no esté en uso.

Extracción de una almohadilla de limpieza (Fig. E)

▲ ATENCIÓN: Siempre use calzado adecuado al cambiar la almohadilla de limpieza del trapeador de vapor. No use pantuflas ni calzado que exponga los dedos de los pies.

1. Devuelva el mango **6** a la posición vertical y "APAGUE" el trapeador de vapor.
2. Coloque el trapeador de vapor y espere hasta que se enfríe (aproximadamente cinco minutos).
3. Apoye la punta de su zapato sobre la lengüeta de extracción de la almohadilla de limpieza **29** y presiónela con firmeza.
4. Levante el trapeador de vapor para separarlo de la almohadilla de limpieza.

AVISO: No almacene con un cojín mojado ya que esto puede dañar su piso. Siempre coloque la fregona del vapor con el mango **6** en posición vertical cuando estacionario y asegúrese que la fregona del vapor está apagada cuando no esté en uso.

Aditamentos del limpiador de vapor

AVISO: Saque el limpiador a vapor de mano del cuerpo del trapeador a vapor después de apagar y desenchufar el trapeador a vapor, y después de dejar que se enfríe el trapeador a vapor.

Instalación de la manguera y el guante para limpieza a vapor (Fig. F)

1. Presione firmemente la manguera (**11** o **14**) en el tubo de vapor del limpiador a vapor de mano de tal manera que esté completamente asentado.
2. Para sacarla, presione el botón de liberación de la manguera **30**, y tire de la manguera para sacarla del limpiador a vapor de mano.

▲ ADVERTENCIA: Inspeccionar la junta **31** en el limpiador de mano de vapor **2** y la junta **32** en el extremo de la manguera antes de cada uso (Fig. F). Si el sello no está presente o dañado en contacto con el servicio técnico más cercano. No utilice el aparato.

▲ ATENCIÓN: Asegúrese de que la manguera estén firmemente instaladas antes de utilizar el limpiador de vapor de mano.

Instalación de otros accesorios en la manguera (Fig. G)

1. Para accesorios distintos de la boquilla variable, alinee las lengüetas **33** de la manguera con las cavidades del accesorio.
2. Empuje el accesorio sobre la manguera y gírelo hacia la derecha hasta que este encaje en su lugar y se escuche un clic.

Instalación de la boquilla variable (Fig. H)

1. Oprima los sujetadores **34** de cualquiera de ambos lados de la boquilla variable **24**.
2. Alinee los dos toques que se encuentran en la brida interior de la boquilla variable con las dos ranuras adyacentes a la boquilla de vapor en la manguera **11**.
3. Empuje firmemente la boquilla variable sobre la boquilla de vapor de la manguera de manera que encaje bien y suelte los sujetadores.

4. Para sacarla, presione los ganchos y saque la boquilla del chorro de vapor de la manguera.

▲ ADVERTENCIA: Inspeccione el sello de la manguera y el limpiador de vapor de mano en la boquilla de vapor antes de cada uso (Fig. H). Si el sello no está presente o dañado en contacto con el servicio técnico más cercano. No utilice el aparato.

▲ ATENCIÓN: Asegúrese de que la manguera y/o la boquilla variable estén firmemente instaladas antes de utilizar el limpiador de vapor de mano.

Colocación de una almohadilla en la escobilla de goma (Fig. F, G, I)

▲ ADVERTENCIA: Riesgo de quemaduras, no utilice la escobilla de goma y la almohadilla en ropa que se lleve puesta.

▲ ATENCIÓN: Espere a que el limpiador de vapor se enfríe para instalar o quitar la cubierta del vaporizador para prendas (aproximadamente cinco minutos).

NOTA: La almohadilla **35** funciona solo con el escurridor para ventanas.

NOTA: Para asegurarse de que el vaporizador sea seguro para un tela, pruébelo primero en un área poco notoria del artículo sobre el que desea utilizarlo.

- Instale la manguera **11** en el limpiador de vapor como se describe para la Fig. F.
- Instale el escurridor **36** en la manguera como se describe para la Fig. G.
- Enganche la almohadilla **35** alrededor de un lado del escurridor y estírelo hasta el otro lado del escurridor como se muestra en la Fig. I. Asegúrese de que el vaporizador para prendas cubra el escurridor por completo.

Extracción de otros accesorios

De la manguera

- Para accesorios aparte de la boquilla de chorro de vapor, apague el trapeador a vapor, desenchúfelo y deje que se enfríe. Luego gire el accesorio en sentido antihorario y sáquelo de la manguera.

Instalación del deslizador para alfombras (Fig. J)

1. Coloque el deslizador para alfombras sobre el piso.
2. Empuje con suavidad hacia abajo el trapeador de vapor con la almohadilla de limpieza **21** instalada sobre el deslizador para alfombras **28** hasta que encaje en su lugar y se escuche un clic.

Extracción del deslizador para alfombras

▲ ATENCIÓN: Siempre use calzado adecuado al cambiar el deslizador para alfombras del trapeador de vapor. No use pantuflas ni calzado que exponga los dedos de los pies.

1. Devuelva el mango **6** a la posición vertical y apague el trapeador de vapor.
2. Espere hasta que el trapeador a vapor se enfríe (aproximadamente cinco minutos). Apoye la punta de su zapato sobre la lengüeta de extracción del deslizador para alfombras **37** y presiónela con firmeza.
3. Levante el trapeador de vapor para separarlo del deslizador para alfombras.

Llenado del tanque de agua (Fig. K)

AVISO: Llene el tanque de agua con agua potable normal.

AVISO: En áreas con agua muy dura, se recomienda el uso de agua desmineralizada.

▲ ADVERTENCIA: No llene el tanque en exceso.

1. Asegúrese de que el aparato esté apagado y de que el cable de alimentación esté desconectado de la fuente de alimentación.

2. Abra la tapa del filtro **4** tirando hacia arriba (Fig. K).

3. Llene con agua el tanque de agua.

4. Cierre la tapa de llenado.

AVISO: Siempre vacíe el tanque de agua después del uso.

AVISO: Llenar el depósito de agua con agua limpia del grifo (no utilizar aditivos o productos químicos).

▲ ADVERTENCIA: para llenarlo, separando el cuerpo del depósito del aparato y mantener la posición horizontal.

▲ ADVERTENCIA: Su tanque de agua tiene una capacidad de 17 fl oz (0,5 litros). No llene demasiado el tanque.

AVISO: Asegúrese de que el tapón de llenado está bien apretado.

OPERACIÓN

▲ ATENCIÓN: ÚNICAMENTE PARA USO EN PISOS; NO UTILICE LA UNIDAD DE MANERA INVERTIDA.

ENCENDIDO Y APAGADO (Fig. A)

AVISO: El trapeador de vapor demora aproximadamente 15 segundos en calentarse.

• Para encender el aparato, presione el botón de ENCENDIDO/APAGADO **1**, luego gire el dial Smartselect™ **3** hasta la posición deseada.

• Para apagar el aparato, gire el dial Smartselect™ hasta la posición de apagado, luego presione el botón de ENCENDIDO/APAGADO.

AVISO: Nunca deje el trapeador de vapor en un solo lugar, sobre cualquier superficie, durante un período indeterminado. No almacene con un cojín mojado ya que esto puede dañar su piso. Siempre coloque la fregona del vapor con el mango **6** en posición vertical cuando estacionario y asegúrese que la fregona del vapor está apagada cuando no esté en uso.

AVISO: Siempre vacíe el trapeador de vapor después del uso.

Dial SmartSelect™ (Fig. A)

El trapeador de vapor está equipado con un dial SmartSelect™ **3** que muestra diversas aplicaciones de limpieza para superficies de piso duros. Para cambiar la aplicación, gire el dial SmartSelect™ hasta que se seleccione el modo de funcionamiento correcto de la superficie de suelo duro en particular.

AVISO: El dial tiene una posición de "APAGADO." No habrá flujo de vapor cuando el dial esté en esta posición.

AVISO: Para prendas de ropa y alfombras, fije el dial en la posición de Madera/Laminado.

AVISO: No lo utilice sobre pisos de madera o lámina sin impermeabilizar ya que la humedad del vapor podría provocar daños. Tampoco, en superficies que se han tratado con cera o en algunos pisos que no requieren cera, la acción del calor y el vapor puede eliminar el brillo. Siempre se recomienda hacer una prueba en un área aislada de la

superficie a limpiar antes de proceder. Le recomendamos también que revise las instrucciones de uso y cuidado del fabricante del piso.

	Piedra/Mármol
	Baldosas/Vinilo
	Madera/Lámina

Limpieza con vapor (Fig. A)

1. Coloque una almohadilla de limpieza **21** sobre el piso con el lado tipo velcro hacia arriba.
2. Presiónelo levemente sobre la almohadilla de limpieza.
3. Enchufe el cable eléctrico del trapeador de vapor en el tomacorriente.
4. Oprima el botón de ENCENDIDO/APAGADO **1**. El trapeador de vapor demora aproximadamente 15 segundos en calentarse.
5. Gire el dial SmartSelect™ **3** hasta la posición deseada para activar la bomba de vapor. Después de unos segundos el vapor empezará a salir del cabezal de piso de vapor a la velocidad correspondiente a la posición del dial SmartSelect™.

AVISO: Si el sistema ha funcionado hasta quedar seco, puede tomar hasta 30 segundos cebar el sistema para un nuevo uso.

AVISO: El vapor demora unos pocos segundos en entrar en la almohadilla de limpieza. Ahora el trapeador de vapor se deslizará fácilmente sobre la superficie que se va a limpiar.

6. Mueva el trapeador de vapor lentamente hacia adelante y hacia atrás sobre el piso para limpiar cada sección del mismo minuciosamente con vapor.
7. Cuando haya terminado de utilizar el trapeador a vapor, vuelva a poner el tubo del mango en posición vertical, apague el trapeador a vapor, desenchúfelo y espere hasta que se enfríe (aproximadamente cinco minutos).

Guante para limpieza a vapor (Fig. L–O)

▲ ADVERTENCIA: Use siempre el guante para limpieza a vapor como se muestra en la Fig. L, con la mano dentro del guante protector.

▲ ADVERTENCIA: No intente nunca utilizar el guante para limpieza a vapor agarrándolo externamente como se muestra en la Fig. M. Esto ocasionará quemaduras.

▲ ADVERTENCIA: Evite utilizar el guante para limpieza a vapor en esquinas estrechas, como se muestra en la Fig. N.

▲ ADVERTENCIA: Si ocurriera un problema durante el uso, utilice la lengüeta de liberación rápida **15** para retirar rápidamente el guante para limpieza a vapor de su mano, como se muestra en la Fig. O.

• Instale el guante para limpieza a vapor **12** como se muestra en la sección **Instalación de la manguera y el guante para limpieza a vapor**.

NOTA: El dial SmartSelect™ está desactivado cuando está instalado el guante para limpieza a vapor.

Instalación de una almohadilla de limpieza (Fig. P)

1. Asegúrese que el guante de vapor de microfibra esté frío y no esté conectado al limpiador de vapor portátil.
2. Coloque una almohadilla de limpieza de guante de vapor de microfibra **16** al guante de vapor **12** colocando las cintas de velcro **38** en la parte trasera de la almohadilla de limpieza, a las almohadillas de velcro **39** en el lado inferior del guante de vapor (Fig. P).
3. Presione hacia abajo firmemente.
4. Para utilizarlo, siga las instrucciones bajo limpiador a vapor de mano.

▲ ADVERTENCIA: No use el guante para limpieza a vapor si no hay una almohadilla de limpieza en la posición adecuada.

Limpieza con unidad de vapor de mano (Fig. A)

1. Apague y desenchufe el trapeador a vapor. Después de dejar que se enfríe, saque el limpiador a vapor de mano **2** del cuerpo del trapeador a vapor **10**.
2. Instale el accesorio requerido.
3. Enchufe el cable eléctrico del limpiador de vapor de mano en el tomacorriente.
4. Oprima el botón de ENCENDIDO/APAGADO **1**. El limpiador de vapor de mano demora aproximadamente 15 segundos en calentarse.

• Cuando haya terminado de utilizar el limpiador de vapor de mano, apáguelo. Espere hasta que se enfríe (aproximadamente cinco minutos) antes de volver a instalarlo en el cuerpo del trapeador de vapor.

Vaporizador para tejidos (Fig. A, F, Q-S)

El vaporizador para tejidos le permite vaporizar y planchar ropa, ropa de cama y tapicería.

▲ ADVERTENCIA: Peligro de quemaduras, no toque la placa de metal del distribuidor de vapor. Esta provocará lesiones graves. Deje enfriar la placa al menos 20 minutos antes de quitar o instalar cualquier accesorio.

▲ ADVERTENCIA: Peligro de quemaduras, no utilice la plancha de vapor sobre ropa que esté usando.

1. Asegúrese de que la base del vaporizador para tejidos **25** y el distribuidor de vapor **26** estén fríos y no estén instalados en el limpiador a vapor de mano **2**.
2. Instale la base del vaporizador para tejidos en la manguera **11** (Fig. F). Asegúrese de que el accesorio haya encajado firmemente en su sitio.
3. Coloque el distribuidor de vapor directamente en la base del vaporizador para tejidos de manera que los dos ganchos **40** se sujeten firmemente a la base (Fig. Q).
4. Encaje el cepillo para pelusa **27** firmemente en su lugar (Fig. R). Asegúrese de que los cuatro ganchos del cepillo **41** estén en la parte larga de la base del vaporizador para tejidos.
5. Para utilizarlo, siga las instrucciones bajo limpieza a vapor a mano. Mueva el cepillo y el distribuidor de vapor a lo largo del tejido para limpiarlo a vapor y eliminar las arrugas (Fig. S).

NOTA: El distribuidor de vapor puede utilizarse por separado, sin un aditamento de cepillo.

Renovación de alfombras (Fig. A)

▲ ADVERTENCIA: Es importante monitorear el nivel del agua en el tanque de agua. Para rellenar el tanque de agua y continuar limpiando, regrese el tubo de la manija **6** a la posición vertical y coloque el trapeador de vapor en "OFF". Desconecte la unidad del tomacorriente, vuelva a llenar el depósito de agua.

▲ ATENCIÓN: Nunca deje el trapeador de vapor en un solo lugar, sobre cualquier superficie, durante un periodo indeterminado.

1. Coloque el deslizador para alfombras **28** sobre el piso.
2. Empuje con suavidad hacia abajo el trapeador de vapor con la almohadilla de limpieza instalada sobre el deslizador para alfombras hasta que encaje en su lugar y se escuche un clic (Fig. T).
3. Enchufe el cable eléctrico del trapeador de vapor en el tomacorriente.
4. Oprima el botón de encendido/apagado **1**. El trapeador de vapor demora aproximadamente 15 segundos en calentarse.
5. Oprima el botón SmartSelect™ **3** hasta obtener la configuración de madera/laminado.
6. Mueva el trapeador de vapor lentamente hacia adelante y hacia atrás sobre la alfombra para renovar cada sección de la misma minuciosamente con vapor.

Consejos para un uso óptimo

Cómo utilizar la fregona a vapor para limpiar y eliminar gérmenes*.

▲ ATENCIÓN: Nunca utilice el trapeador de vapor sin primero instalar una almohadilla de limpieza.

▲ ADVERTENCIA: Es importante controlar el nivel de agua en el tanque. Para rellenar el tanque de agua y seguir limpiando, consulte la sección Llenado del tanque de agua.

AVISO: Nunca deje el trapeador de vapor en un solo lugar, sobre cualquier superficie, durante un periodo indeterminado. No almacene con un cojín mojado ya que esto puede dañar su piso. Siempre coloque la fregona del vapor con el mango **6** en posición vertical cuando estacionario y asegúrese que la fregona del vapor está apagada cuando no esté en uso.

- Antes del uso, prepare siempre la superficie de trabajo aspirando o barriendo cualquier suciedad o residuo suelto.
- No utilice limpiadores químicos con su sistema de vapor. Para eliminar las manchas difíciles de los suelos de vinilo y linóleo, puede tratarlos previamente con un detergente suave y un poco de agua antes de utilizar la mopa de vapor.
- Deje que la mopa a vapor alcance la temperatura máxima durante 30 segundos si empieza en frío.
- Para limpiar la superficie, incline el mango de la mopa a vapor en un ángulo de 45 grados, haga contacto directo de la almohadilla de microfibra con el suelo o la superficie de trabajo y empuje la mopa lentamente en una pequeña zona cada vez, realizando 5 pasadas de barrido (hacia delante y hacia atrás).
- Deje que la zona se seque al aire antes de volver a utilizarla.
- Cuando se utiliza según las instrucciones anteriores, esta mopa, con el uso de la almohadilla de microfibra, elimina el 99,9% de los gérmenes*. Este producto ha sido probado en condiciones de laboratorio a una velocidad de limpieza de

20 cm/s, realizando 5 pasadas (hacia delante y hacia atrás) sobre un suelo duro y no poroso.

*Organismos de prueba: Salmonella enterica, Staphylococcus aureus y Aspergillus terreus.

Después del uso (Fig. A)

- Devuelva el mango **6** a la posición vertical y "APAGUE" el trapeador de vapor.
- Coloque el trapeador de vapor y espere hasta que este se enfríe (aproximadamente cinco minutos).
- Desenchufe el trapeador de vapor del tomacorriente.
- Vacíe el tanque de agua.
- Retire la almohadilla de limpieza de microfibra **16** o **21** y lávela para que esté lista para el próximo uso. (Tenga cuidado de seguir las instrucciones de cuidado de lavado impresas en la almohadilla de limpieza).
- Enrolle el cable eléctrico de alimentación alrededor de los ganchos para el cable **8**.

NOTA: El gancho superior para el cable se puede girar para liberar el cable fácilmente para el próximo uso.

AVISO: Con el mango en posición vertical, el cable bien enrollado alrededor de los ganchos para, el trapeador de vapor permanecerá parado por sí solo para ser guardado. Como alternativa, existe un soporte para colgar integrado en el agarre del mango, el cual le permitirá colgar el trapeador de vapor en un gancho adecuado en la pared. Siempre asegúrese de que el gancho en la pared tenga capacidad para soportar el peso del trapeador de vapor con seguridad.

MANTENIMIENTO Y LIMPIEZA

El artefacto con cable BLACK+DECKER se diseñó para funcionar durante un período prolongado con un mantenimiento mínimo. El funcionamiento continuo satisfactorio depende del cuidado adecuado del artefacto y de una limpieza periódica.

▲ ADVERTENCIA: Apague y desenchufe el artefacto antes de efectuar cualquier mantenimiento o limpieza en artefactos con cable.

- Limpie el artefacto con un paño suave y húmedo. Nunca permita que entre ningún líquido dentro del artefacto; nunca sumerja ninguna pieza del artefacto en un líquido.

IMPORTANTE: Para garantizar la SEGURIDAD y la CONFIABILIDAD del producto, las reparaciones, el mantenimiento y el ajuste deben realizarse en los centros de mantenimiento autorizados o en otras organizaciones de mantenimiento calificadas, utilizando siempre piezas de repuesto idénticas.

- En el caso de marcas difíciles, puede utilizar una solución suave de jabón y agua para humedecer el paño.

Cuidado de las almohadillas de limpieza

AVISO: Siga las instrucciones de limpieza impresas en la etiqueta de la almohadilla de limpieza.

Instrucciones de cuidado durante el lavado: Lavar a máquina a una temperatura tibia de 60 °C (140 °F). No utilizar cloro. No utilizar suavizante para ropa. Secar únicamente al aire. Dejar secar completamente antes de volver a utilizarlas.

ACCESORIOS

Los accesorios recomendados para uso con el artefacto están disponibles en su distribuidor o centro de mantenimiento autorizado local. Si necesita ayuda con respecto a los accesorios, llame al: **1-800-544-6986**.

▲ ADVERTENCIA: El empleo de cualquier accesorio no recomendado para uso con este artefacto puede ser peligroso.

INFORMACIÓN DE MANTENIMIENTO

Todos los Centros de servicio de BLACK+DECKER cuentan con personal altamente capacitado dispuesto a brindar a todos los clientes un servicio eficiente y confiable en la reparación de herramientas eléctricas. Si necesita consejo técnico, reparaciones o piezas de repuesto originales de fábrica, póngase en contacto con el centro de servicio de BLACK+DECKER más cercano a su domicilio. Para ubicar su centro de servicio local, llame al **1-800-544-6986** o visite nuestro sitio **www.blackanddecker.com**.

Garantía limitada de dos años

Para los términos de garantía, visite **www.blackanddecker.com/warranty**.

Para solicitar una copia escrita de los términos de garantía, póngase en contacto con: Servicio al cliente en Black & Decker, 701 East Joppa Road, Towson, MD 21286 o llame al **1-800-544-6986**.

AMÉRICA LATINA: Esta garantía no aplica a productos vendidos en América Latina. Para productos vendidos en América Latina, revise la información de garantía del país específico contenida en el empaque, llame a la compañía local o consulte la página de Internet respecto a tal información.



PART NUMBER

Black & Decker (U.S.) Inc., 701 East Joppa Road, Towson, MD 21286
Copyright © 2019, 2022, 2024