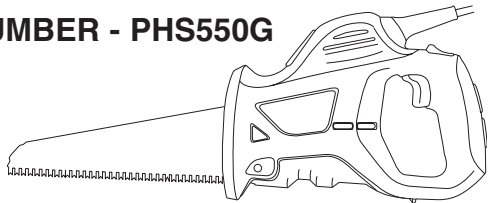




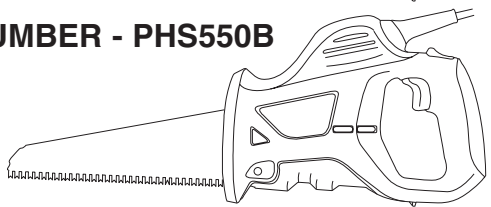
Powered Hand Saw

INSTRUCTION MANUAL

CATALOG NUMBER - PHS550G



CATALOG NUMBER - PHS550B



THANK YOU FOR CHOOSING BLACK & DECKER!
GO TO www.BLACKANDDECKER.COM/NEWOWNER
TO REGISTER YOUR NEW PRODUCT.

**BEFORE RETURNING THIS PRODUCT
FOR ANY REASON PLEASE CALL
1-800-544-6986**

BEFORE YOU CALL, HAVE THE CATALOG No. AND DATE CODE AVAILABLE. IN MOST CASES, A

BLACK & DECKER REPRESENTATIVE CAN RESOLVE THE PROBLEM OVER THE PHONE. IF YOU HAVE

A SUGGESTION OR COMMENT, GIVE US A CALL. YOUR FEEDBACK IS VITAL TO BLACK & DECKER.

SAVE THIS MANUAL FOR FUTURE REFERENCE.

VEA EL ESPAÑOL EN LA CONTRAPORTADA.

INSTRUCTIVO DE OPERACIÓN, CENTROS DE SERVICIO Y PÓLIZA DE GARANTÍA.
ADVERTENCIA: LÉASE ESTE INSTRUCTIVO ANTES DE USAR EL PRODUCTO.

CAT. NO. PHS550G/ PHS550B
Copyright © 2012 Black & Decker

FORM NO. 90590171 AUG. '12
PRINTED IN CHINA

SAFETY GUIDELINES - DEFINITIONS

It is important for you to read and understand this manual. The information it contains relates to protecting YOUR SAFETY and PREVENTING PROBLEMS. The symbols below are used to help you recognize this information.

⚠ DANGER: Indicates an imminently hazardous situation which, if not avoided, will result in death or serious injury.

⚠ WARNING: Indicates a potentially hazardous situation which, if not avoided, could result in death or serious injury.

⚠ CAUTION: Indicates a potentially hazardous situation which, if not avoided, may result in minor or moderate injury.

NOTICE: Used without the safety alert symbol indicates potentially hazardous situation which, if not avoided, may result in property damage.

General Safety Rules

⚠ WARNING: Read all safety warnings and all instructions. Failure to follow the warnings and instructions may result in electric shock, fire and/or serious injury.

SAVE ALL WARNINGS AND INSTRUCTIONS FOR FUTURE REFERENCE
The term "power tool" in the warnings refers to your mains-operated (corded) power tool or battery-operated (cordless) power tool.

1) WORK AREA SAFETY

- a) **Keep work area clean and well lit.** Cluttered or dark areas invite accidents.
- b) **Do not operate power tools in explosive atmospheres, such as in the presence of flammable liquids, gases or dust.** Power tools create sparks which may ignite the dust or fumes.
- c) **Keep children and bystanders away while operating a power tool.** Distractions can cause you to lose control.

2) ELECTRICAL SAFETY

- a) **Power tool plugs must match the outlet. Never modify the plug in any way. Do not use any adapter plugs with earthed (grounded) power tools.** Unmodified plugs and matching outlets will reduce risk of electric shock.
- b) **Avoid body contact with earthed or grounded surfaces such as pipes, radiators, ranges and refrigerators.** There is an increased risk of electric shock if your body is earthed or grounded.
- c) **Do not expose power tools to rain or wet conditions.** Water entering a power tool will increase the risk of electric shock.
- d) **Do not abuse the cord. Never use the cord for carrying, pulling or unplugging the power tool. Keep cord away from heat, oil, sharp edges or moving parts.** Damaged or entangled cords increase the risk of electric shock.
- e) **When operating a power tool outdoors, use an extension cord suitable for outdoor use.** Use of a cord suitable for outdoor use reduces the risk of electric shock.
- f) **If operating a power tool in a damp location is unavoidable, use a ground fault circuit interrupter (GFCI) protected supply.** Use of a GFCI reduces the risk of electric shock.

3) PERSONAL SAFETY

- a) **Stay alert, watch what you are doing and use common sense when operating a power tool. Do not use a power tool while you are tired or under the influence of drugs, alcohol or medication.** A moment of inattention while operating power tools may result in serious personal injury.
- b) **Use personal protective equipment. Always wear eye protection.** Protective equipment such as dust mask, nonskid safety shoes, hard hat, or hearing protection used for appropriate conditions will reduce personal injuries.
- c) **Prevent unintentional starting. Ensure the switch is in the off position before connecting to power source and/ or battery pack, picking up or carrying the tool.** Carrying power tools with your finger on the switch or energizing power tools that have the switch on invites accidents.

- d) **Remove any adjusting key or wrench before turning the power tool on.** A wrench or a key left attached to a rotating part of the power tool may result in personal injury.
- e) **Do not overreach. Keep proper footing and balance at all times.** This enables better control of the power tool in unexpected situations.
- f) **Dress properly. Do not wear loose clothing or jewelry. Keep your hair, clothing and gloves away from moving parts.** Loose clothes, jewelry or long hair can be caught in moving parts.
- g) **If devices are provided for the connection of dust extraction and collection facilities, ensure these are connected and properly used.** Use of dust collection can reduce dust-related hazards.

4) POWER TOOL USE AND CARE

- a) **Do not force the power tool. Use the correct power tool for your application.** The correct power tool will do the job better and safer at the rate for which it was designed.
- b) **Do not use the power tool if the switch does not turn it on and off.** Any power tool that cannot be controlled with the switch is dangerous and must be repaired.
- c) **Disconnect the plug from the power source and/or the battery pack from the power tool before making any adjustments, changing accessories, or storing power tools.** Such preventive safety measures reduce the risk of starting the power tool accidentally.
- d) **Store idle power tools out of the reach of children and do not allow persons unfamiliar with the power tool or these instructions to operate the power tool.** Power tools are dangerous in the hands of untrained users.
- e) **Maintain power tools. Check for misalignment or binding of moving parts, breakage of parts and any other condition that may affect the power tool's operation.** If damaged, have the power tool repaired before use. Many accidents are caused by poorly maintained power tools.
- f) **Keep cutting tools sharp and clean.** Properly maintained cutting tools with sharp cutting edges are less likely to bind and are easier to control.
- g) **Use the power tool, accessories and tool bits, etc. in accordance with these instructions, taking into account the working conditions and the work to be performed.** Use of the power tool for operations different from those intended could result in a hazardous situation.

5) SERVICE

- a) **Have your power tool serviced by a qualified repair person using only identical replacement parts.** This will ensure that the safety of the power tool is maintained.

SPECIFIC SAFETY RULES

- **Hold power tool by insulated gripping surfaces, when performing an operation where the cutting accessory may contact hidden wiring or its own cord.** Cutting accessory contacting a "live" wire may make exposed metal parts of the power tool "live" and could give the operator an electric shock.
- **Use clamps or another practical way to secure and support the work piece to a stable platform.** Holding the work by hand or against your body leaves it unstable and may lead to loss of control.
- **Keep hands away from cutting area.** Never reach underneath the material for any reason. Hold front of saw by grasping the contoured gripping area. Do not insert fingers or thumb into the vicinity of the reciprocating blade and blade clamp. Do not stabilize the saw by gripping the shoe.
- **Keep blades sharp.** Dull blades may cause the saw to swerve or stall under pressure.
- **Use extra caution when cutting overhead** and pay particular attention to overhead wires which may be hidden from view. Anticipate the path of falling branches and debris ahead of time.
- **When cutting pipe or conduit** ensure that they are free from water, electrical wiring, etc.

⚠ WARNING: Some dust created by power sanding, sawing, grinding, drilling, and other construction activities contains chemicals known to the State of California to cause cancer, birth defects or other reproductive harm. Some examples of these chemicals are:

- lead from lead-based paints,
- crystalline silica from bricks and cement and other masonry products, and
- arsenic and chromium from chemically-treated lumber.

Your risk from these exposures varies, depending on how often you do this type of work. To reduce your exposure to these chemicals: work in a well ventilated area, and work with approved safety equipment, such as those dust masks that are specially designed to filter out microscopic particles.

- **Avoid prolonged contact with dust from power sanding, sawing, grinding, drilling, and other construction activities. Wear protective clothing and wash exposed areas with soap and water.** Allowing dust to get into your mouth, eyes, or lay on the skin may promote absorption of harmful chemicals.

⚠ WARNING: Use of this tool can generate and/or disperse dust, which may cause serious and permanent respiratory or other injury. Always use NIOSH/OSHA approved respiratory protection appropriate for the dust exposure. Direct particles away from face and body.

⚠ CAUTION: Wear appropriate hearing protection during use. Under some conditions and duration of use, noise from this product may contribute to hearing loss.

⚠ WARNING: ALWAYS use safety glasses. Everyday eye glasses are NOT safety glasses. Also use face or dust mask if cutting operation is dusty. ALWAYS WEAR CERTIFIED SAFETY EQUIPMENT:

- ANSI Z87.1 eye protection (CAN/CSA Z94.3)
- ANSI S12.6 (S3.19) hearing protection
- NIOSH/OSHA/MSHA respiratory protection

Symbols

The label on your tool may include the following symbols.

| | | | |
|-------------|-----------------------|----------------------|--|
| V | volts | A | amperes |
| Hz | hertz | W | watts |
| min..... | minutes | ~ | alternating current |
| — — — | direct current | n _o | no load speed |
| ⊠ | Class II Construction | ⊕ | earthing terminal |
| ⚠ | safety alert symbol | .../min | revolutions or reciprocations per minute |

FIRST AID MEASURES FOR GEL COMPONENTS (PHS550G ONLY)

If gel within the comfort grip becomes exposed and results in skin contact wash with soap and water; for eye contact, flush with flowing water. If swallowed, seek medical attention. Material Safety Data Sheet (MSDS) available from **1-800-544-6986**

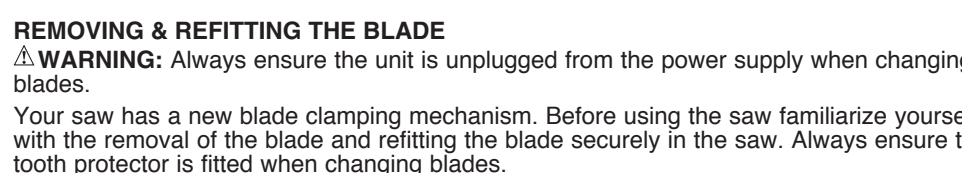
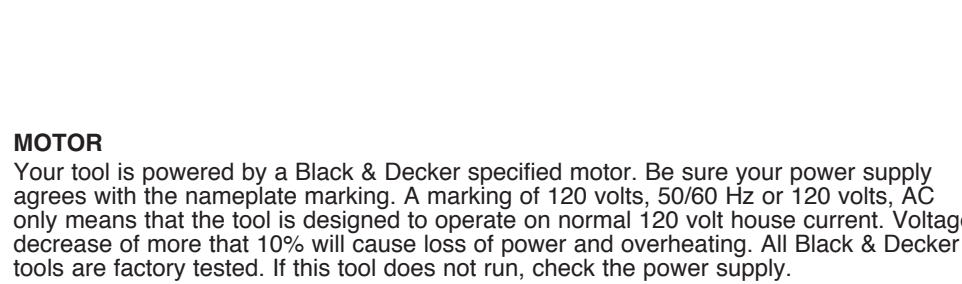
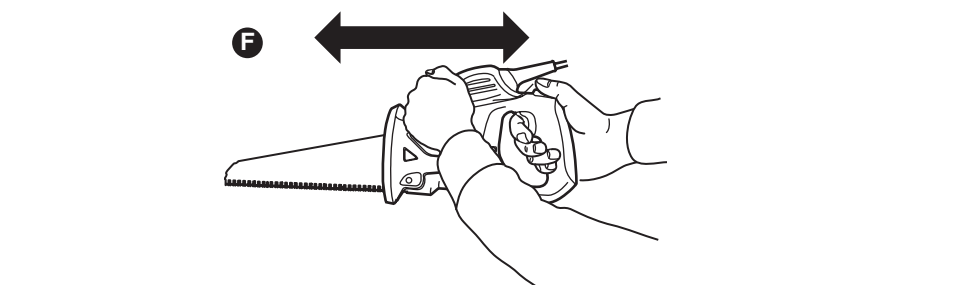
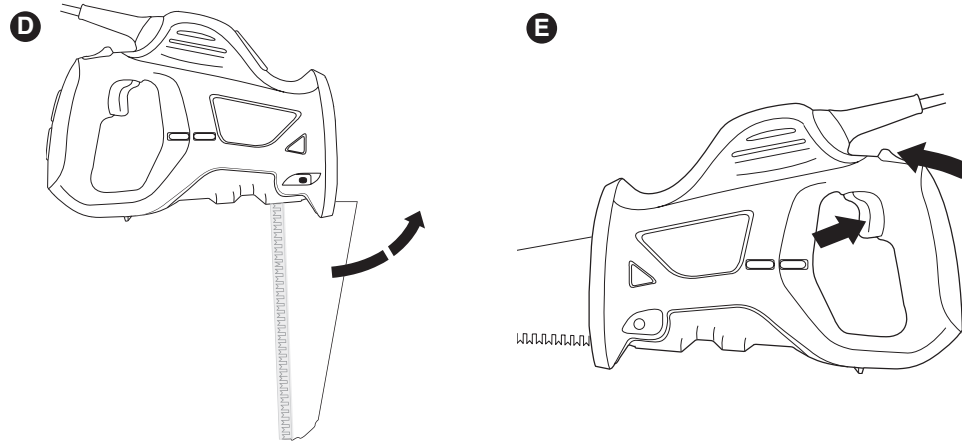
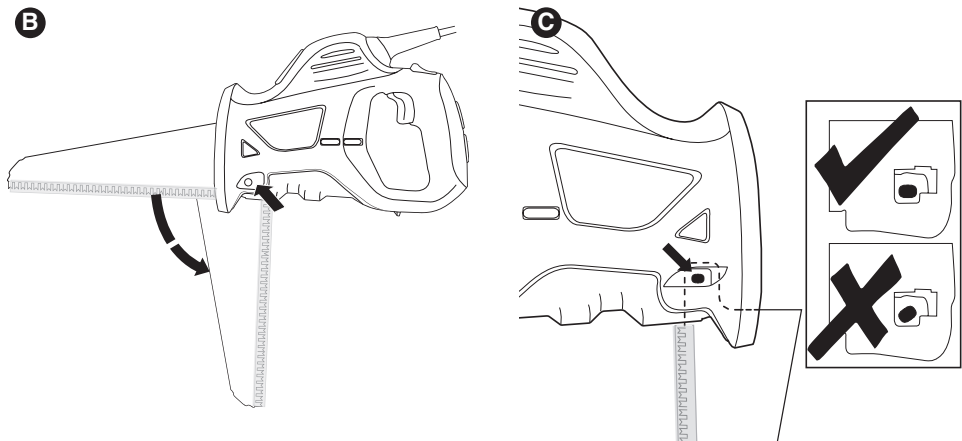
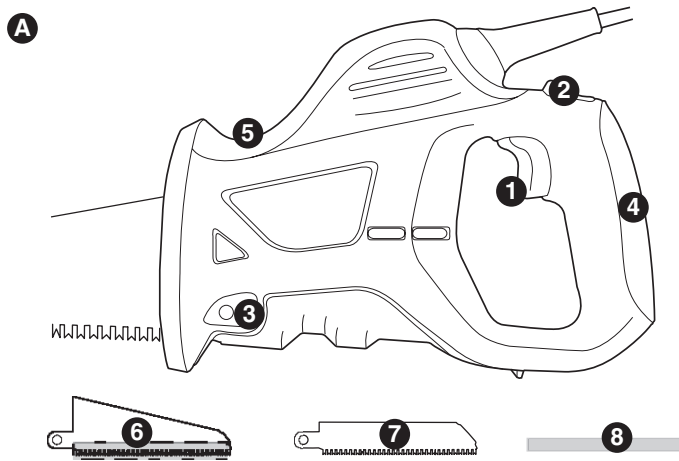
EXTENSION CORD

When using an extension cord, be sure to use one heavy enough to carry the current your product will draw. An undersized cord will cause a drop in line voltage resulting in loss of power and overheating. The table below shows the correct size to use depending on cord length and nameplate ampere rating. If in doubt, use the next heavier gage. The smaller the gage number, the heavier the cord.

| Volts | Minimum Gage for Cord Sets | | | |
|---------------|------------------------------|---------------|--------------|--------------------|
| | Total Length of Cord in Feet | | | |
| 120V | 0-25 | 26-50 | 51-100 | 101-150 |
| | (0-7,6m) | (7,6-15,2m) | (15,2-30,4m) | (30,4-45,7m) |
| 240V | 0-50 | 51-100 | 101-200 | 201-300 |
| | (0-15,2m) | (15,2-30,4m) | (30,4-60,9m) | (60,9-91,4m) |
| Ampere Rating | | | | |
| More Than | | Not more Than | | American Wire Gage |
| 0 | - | 6 | 18 | 16 16 14 |
| 6 | - | 10 | 18 | 16 14 12 |
| 10 | - | 12 | 16 | 16 14 12 |
| 12 | - | 16 | 14 | 12 Not Recommended |

FUNCTIONAL DESCRIPTION

1. Variable Speed Switch
2. Lock-off button
3. Blade release
4. Soft grip
5. Second hand position
6. Large capacity blade
7. Metal cutting blade
8. Tooth Protector



MOTOR
Your tool is powered by a Black & Decker specified motor. Be sure your power supply agrees with the nameplate marking. A marking of 120 volts, 50/60 Hz or 120 volts, AC only means that the tool is designed to operate on normal 120 volt house current. Voltage decrease of more than 10% will cause loss of power and overheating. All Black & Decker tools are factory tested. If this tool does not run, check the power supply.

REMOVING & REFITTING THE BLADE
⚠ WARNING: Always ensure the unit is unplugged from the power supply when changing blades.
Your saw has a new blade clamping mechanism. Before using the saw familiarize yourself with the removal of the blade and refitting the blade securely in the saw. Always ensure the tooth protector is fitted when changing blades.

REMOVING THE BLADE (FIGURE B)
Ensure blade has cooled after use. Press and hold the rear of the blade release button fully, hold the back of the blade and rotate it through 90 degrees until the toothed side of the blade meets the housing. Slide the blade sideways off the retaining pin and remove from the saw.

FITTING A BLADE (FIGURES C,D)
Place the blade, with the tooth protector fitted, over the location pin. The blade teeth should be facing the handle. (Fig. C)

Note: To ensure that the blade fits properly, make sure the locking pin position mirrors that of the blade shank cut-out. The flat side of the locking pin should be parallel to the bottom of the saw as shown in the insert of Fig. C. **(Housing cover removed for clarity.)** If the locking pin is not parallel to the bottom of the saw, use a flat bladed screwdriver to rotate the pin back to the proper starting position.
Rotate the blade through 90° until it is fully located in the slot and the location pin is in the locked position. (Fig. D)

To ensure the blade is securely fitted try to remove without pressing the blade release button. Remove the tooth protector, your saw is now ready for use.

OPERATING INSTRUCTIONS

VARIABLE SPEED TRIGGER SWITCH (FIGURE E)
Your saw is equipped with a variable speed trigger switch that allows you greater control over start of cut, rate of cut and breakthrough of cut.

To switch your saw on, push lock-off button (2) and squeeze the on/off variable speed trigger switch (1). To switch off, release the trigger, the unit will automatically lock-off.

USING TOOL (FIGURE F)
Hold tool with two hands as shown in Figure F. To obtain the best results from your saw, use the same backward and forward movement you would employ with a traditional hand saw. This will enable a quicker cleaner cut.

CUTTING METAL
Your saw can be used for cutting light gauge ferrous and non-ferrous metals such as copper, brass, aluminum, etc. with the specified blade. See recommended materials.

It is advisable when cutting thin sheet to clamp a backing sheet of soft wood or plywood to the work as this will enable you to obtain a cleaner cut. Both metal and wood backing are sawn together. Do not force the cutting blade into the metal as this will reduce the life of the blade and possibly damage the motor. Cutting thin metal will take longer than cutting even a relatively thick piece of wood, so do not be tempted to speed up the operation by forcing the saw. Only use the metal cutting blade for this purpose.

RECOMMENDED MATERIALS

Recommended Materials

- Large Capacity Blade**
Soft wood
Plastic soil pipe
- Metal Cutting Blade**
Ferrous/non-ferrous metals

Capacity

- Up to 4 in. (102mm) x 4 in. (102mm)
Up to 4-7/8 in. (124mm)
Up to 1/8 in. (3mm) thick

TROUBLESHOOTING

| Problem | Possible Cause | Possible Solution |
|------------------------|---|---|
| • Unit will not start. | • Cord not plugged in. • Circuit fuse is blown. • Circuit breaker is tripped. | • Plug tool into a working outlet. • Replace circuit fuse. (If the product repeatedly causes the circuit fuse to blow, discontinue use immediately and have it serviced at a Black & Decker service center or authorized servicer.) • Reset circuit breaker. (If the product repeatedly causes the circuit breaker to trip, discontinue use immediately and have it serviced at a Black & Decker service center or authorized servicer.) • Have cord or switch replaced at Black & Decker Service Center or Authorized Servicer. |
| | • Cord or switch is damaged. | |

For assistance with your product, visit our website www.blackanddecker.com for the location of the service center nearest you or call the BLACK & DECKER help line at 1-800-544-6986.

MAINTENANCE / CLEANING

Use only mild soap and damp cloth to clean the tool. Many household cleaners contain chemicals which could seriously damage the plastic and gel components. Also do not use gasoline, turpentine, lacquer or paint thinners or similar products. Never let any liquid get inside the tool; never immerse any part of the tool into a liquid.

IMPORTANT: To assure product SAFETY and RELIABILITY, repairs, maintenance and adjustment should be performed by authorized service centers or other qualified service personnel, always using identical replacement parts.

ACCESSORIES

Recommended accessories for use with your tool are available from your local dealer or authorized service center. If you need assistance regarding accessories, please call:

1-800-54-HOW-TO. (800-544-6986)

⚠ WARNING: The use of any accessory not recommended for use with this tool could be hazardous.

SERVICE INFORMATION

All Black & Decker Service Centers are staffed with trained personnel to provide customers with efficient and reliable power tool service. Whether you need technical advice, repair, or genuine factory replacement parts, contact the Black & Decker location nearest you. To find your local service location, refer to the yellow page directory under "Tools—Electric" or call: 1-800-544-6986 or visit www.blackanddecker.com

FULL TWO-YEAR HOME USE WARRANTY

Black & Decker (U.S.) Inc. warrants this product for two years against any defects in material or workmanship. The defective product will be replaced or repaired at no charge in either of two ways.

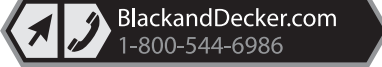
The first, which will result in exchanges only, is to return the product to the retailer from whom it was purchased (provided that the store is a participating retailer). Returns should be made within the time period of the retailer's policy for exchanges (usually 30 to 90 days after the sale). Proof of purchase may be required. Please check with the retailer for their specific return policy regarding returns that are beyond the time set for exchanges.

The second option is to take or send the product (prepaid) to a Black & Decker owned or authorized Service Center for repair or replacement at our option. Proof of purchase may be required. Black & Decker owned and authorized Service Centers are listed under "Tools-Electric" in the yellow pages of the phone directory and available on our website www.blackanddecker.com.

This warranty does not apply to accessories. This warranty gives you specific legal rights and you may have other rights which vary from state to state. Should you have any questions, contact the manager of your nearest Black & Decker Service Center. This product is not intended for commercial use.

Free warning label replacement: If your warning labels become illegible or are missing, call 1-800-544-6986 for a free replacement.

Black & Decker (U.S.) Inc.,
701 E. Joppa Rd.
Towson, MD 21286
U.S.A.



See 'Tools-Electric' - Yellow Pages - for Service & Sales



MODE D'EMPLOI

N° de catalogue PHS550G, PHS550B

MERCI D'AVOIR CHOISI BLACK & DECKER !
VISITEZ WWW.BLACKANDDECKER.COM/NEWOWNER
POUR ENREGISTRER VOTRE NOUVEAU PRODUIT.

AVANT DE RETOURNER CE PRODUIT POUR
QUELQUE RAISON QUE CE SOIT, COMPOSER LE
1-800-544-6986

AVANT D'APPELER, AYEZ EN MAIN LE N° DE CATALOGUE ET LE CODE DE DATE. DANS LA PLUPART

DES CAS, UN REPRÉSENTANT DE BLACK & DECKER PEUT RÉSOUDRE LE PROBLÈME PAR
TÉLÉPHONE. SI VOUS AVEZ UNE SUGGESTION OU UN COMMENTAIRE, APPELEZ-NOUS. VOS
IMPRESSIONS SONT CRUCIALES POUR BLACK & DECKER.

CONSERVER CE MANUEL POUR UN USAGE ULTÉRIEUR.

LIGNES DIRECTRICES EN MATIÈRE DE SÉCURITÉ - DÉFINITIONS

Il est important que vous lisiez et compreniez ce mode d'emploi. Les informations qu'il contient concernent VOTRE SÉCURITÉ et visent à ÉVITER TOUT PROBLÈME. Les symboles ci-dessous servent à vous aider à reconnaître cette information.

⚠ DANGER : Indique une situation dangereuse imminente qui, si elle n'est pas évitée, causera la mort ou des graves blessures.

⚠ AVERTISSEMENT : Indique une situation potentiellement dangereuse qui, si elle n'est pas évitée, pourrait causer la mort ou de graves blessures.

⚠ MISE EN GARDE : Indique une situation potentiellement dangereuse qui, si elle n'est pas évitée, pourrait causer des blessures mineures ou modérées.

AVIS : Utilisé sans le symbole d'alerte à la sécurité, indique une situation potentiellement dangereuse qui, si elle n'est pas évitée, peut résulter en des dommages à la propriété.

Avertissements de sécurité généraux pour les outils électriques

⚠ AVERTISSEMENT Lire tous les avertissements de sécurité et toutes les directives. Le non-respect des avertissements et des directives pourrait se solder par un choc électrique, un incendie et/ou une blessure grave.

Conservé tous les avertissements et toutes les directives pour un usage ultérieur.

Le terme «outil électrique» cité dans les avertissements se rapporte à votre outil électrique à alimentation sur secteur (avec fil) ou par piles (sans fil).

1) Sécurité du lieu de travail

- Tenir la zone de travail propre et bien éclairée.** *Les endroits sombres sont souvent des causes d'accidents.*
- Ne pas faire fonctionner d'outils électriques dans un milieu déflagrant, soit en présence de liquides inflammables, de gaz ou de poussière.** *Les outils électriques produisent des étincelles qui peuvent enflammer la poussière ou les vapeurs.*
- Éloigner les enfants et les curieux au moment d'utiliser un outil électrique.** *Une distraction pourrait vous en faire perdre la maîtrise.*

2) Sécurité en matière d'électricité

- Les fiches des outils électriques doivent correspondre à la prise. Ne jamais modifier la fiche en aucune façon.** *Ne jamais utiliser de fiche d'adaptation avec un outil électrique mis à la terre. Le risque de choc électrique sera réduit par l'utilisation de fiches non modifiées correspondant à la prise.*
- Éviter tout contact physique avec des surfaces mises à la terre comme des tuyaux, des radiateurs, des cuisinières et des réfrigérateurs.** *Le risque de choc électrique est plus élevé si votre corps est mis à la terre.*
- Ne pas exposer les outils électriques à la pluie ou à d'autres conditions où il pourrait être mouillé.** *La pénétration de l'eau dans un outil électrique augmente le risque de choc électrique.*
- Ne pas utiliser abusivement le cordon d'alimentation. Ne jamais utiliser le cordon pour transporter, tirer ou débrancher un outil électrique.** *Tenir le cordon éloigné de la chaleur, de l'huile, des bords tranchants ou des pièces mobiles. Les cordons endommagés ou emmêlés augmentent les risques de choc électrique.*
- Pour l'utilisation d'un outil électrique à l'extérieur, se servir d'une rallonge convenant à une telle utilisation.** *L'utilisation d'une rallonge conçue pour l'extérieur réduit les risques de choc électrique.*
- S'il est impossible d'éviter l'utilisation d'un outil électrique dans un endroit humide, brancher l'outil dans une prise ou sur un circuit d'alimentation dotés d'un disjoncteur de fuite à la terre (GFCI).** *L'utilisation de ce type de disjoncteur réduit les risques de choc électrique.*

3) Sécurité personnelle

- Être vigilant, surveiller le travail effectué et faire preuve de jugement lorsqu'un outil électrique est utilisé. Ne pas utiliser d'outil électrique en cas de fatigue ou sous l'influence de drogues, d'alcool ou de médicaments.** *Un simple moment d'inattention en utilisant un outil électrique peut entraîner des blessures corporelles graves.*
- Utiliser des équipements de protection individuelle. Toujours porter une protection oculaire.** *L'utilisation d'équipements de protection comme un masque antipoussière, des chaussures antidérapantes, un casque de sécurité ou des protecteurs auditifs lorsque la situation le requiert réduira les risques de blessures corporelles.*
- Empêcher les démarrages intempestifs. S'assurer que l'interrupteur se trouve à la position d'arrêt avant de relier l'outil à une source d'alimentation et/ou d'insérer un bloc-piles, de ramasser ou de transporter l'outil.** *Transporter un outil électrique alors que le doigt repose sur l'interrupteur ou brancher un outil électrique dont l'interrupteur est à la position de marche risque de provoquer un accident.*
- Retirer toute clé de réglage ou clé standard avant de démarrer l'outil.** *Une clé standard ou une clé de réglage attachée à une partie pivotante peut causer des blessures.*
- Ne pas trop tendre les bras. Conserver son équilibre en tout temps.** *Cela permet de mieux maîtriser l'outil électrique dans les situations imprévues.*
- S'habiller de manière appropriée. Ne pas porter de vêtements amples ni de bijoux.** *Garder les cheveux, les vêtements et les gants à l'écart des pièces mobiles. Les vêtements amples, les bijoux ou les cheveux longs risquent de rester coincés dans les pièces mobiles.*
- Si des composants sont fournis pour le raccordement de dispositifs de dépoussiérage et de ramassage, s'assurer que ceux-ci sont bien raccordés et utilisés.** *L'utilisation d'un dispositif de dépoussiérage peut réduire les dangers engendrés par les poussières.*

4) Utilisation et entretien d'un outil électrique

- Ne pas forcer un outil électrique. Utiliser l'outil électrique approprié à l'application.** *L'outil électrique approprié effectuera un meilleur travail, de façon plus sûre et à la vitesse pour laquelle il a été conçu.*
- Ne pas utiliser un outil électrique dont l'interrupteur est défectueux.** *Tout outil électrique dont l'interrupteur est défectueux est dangereux et doit être réparé.*

- Débrancher la fiche du secteur ou le bloc-piles de l'outil électrique avant de faire tout réglage ou changement d'accessoire, ou avant de ranger l'outil électrique.** *Ces mesures préventives réduisent les risques de démarrage accidentel de l'outil électrique.*
- Ranger les outils électriques hors de la portée des enfants, et ne permettre à aucune personne n'étant pas familière avec un outil électrique (ou son manuel d'instruction) d'utiliser ce dernier.** *Les outils électriques deviennent dangereux entre les mains d'utilisateurs inexpérimentés.*
- Entretien des outils électriques. Vérifier les pièces mobiles pour s'assurer qu'elles sont bien alignées et tournent librement, qu'elles sont en bon état et ne sont affectées par aucun trouble susceptible de nuire au bon fonctionnement de l'outil électrique.** *En cas de dommage, faire réparer l'outil électrique avant toute nouvelle utilisation. Beaucoup d'accidents sont causés par des outils électriques mal entretenus.*
- S'assurer que les outils de coupe sont aiguisés et propres.** *Les outils de coupe bien entretenus et affûtés sont moins susceptibles de se coincer et sont plus faciles à contrôler.*
- Utiliser l'outil électrique, les accessoires, les forets, etc. conformément aux présentes directives en tenant compte des conditions de travail et du travail à effectuer.** *L'utilisation d'un outil électrique pour toute opération autre que celle pour laquelle il a été conçu est dangereuse.*

5) Réparation

- Faire réparer l'outil électrique par un réparateur professionnel en n'utilisant que des pièces de rechange identiques.** *Cela permettra de maintenir une utilisation sécuritaire de l'outil électrique.*

RÈGLES DE SÉCURITÉ SPÉCIFIQUES

- Saisir l'outil électrique par ses surfaces de prises isolées lorsque l'outil peut entrer en contact avec des fils cachés ou son cordon.** En cas de contact avec un fil sous tension, les pièces métalliques de l'outil seront sous tension et l'utilisateur subira des secousses électriques.
- Utiliser des brides de fixation ou un autre dispositif de fixation permettant de fixer solidement et de soutenir la pièce sur une plateforme stable.** Tenir la pièce avec la main ou contre son corps la rend instable et risque de provoquer une perte de maîtrise de l'outil.
- Tenir les mains éloignées de la zone de découpe.** Ne jamais mettre la main sous le matériau pour quelque raison que ce soit. Tenir la partie avant de la scie par sa zone de prise profilée. Ne pas mettre les doigts ou le pouce à proximité de la scie alternative et du mécanisme de serrage de la lame. Ne pas stabiliser la scie en saisissant la semelle.
- Maintenir les lames affûtées.** Les lames émoussées peuvent faire zigzaguer la lame ou la bloquer sous la pression.
- Être très prudent pour effectuer une coupe au-dessus de votre tête et porter une attention accrue aux fils en hauteur pouvant être cachés.** Prévoir la direction de la chute des branches et de débris.
- Au moment de couper un tuyau ou un conduit, s'assurer qu'ils sont exempts d'eau, de câblage électrique, etc.**

⚠ AVERTISSEMENT : certains outils électriques, tels que les sableuses, les scies, les meules, les perceuses ou certains autres outils de construction, peuvent produire de la poussière contenant des produits chimiques reconnus par l'État de la Californie comme étant susceptibles d'entraîner le cancer, des malformations congénitales ou pouvant être nocifs pour le système reproductif. Parmi ces produits chimiques, on retrouve :

- le plomb dans les peintures à base de plomb,
- la silice cristalline dans les briques et le ciment et autres produits de maçonnerie,
- l'arsenic et le chrome dans le bois de sciage ayant subi un traitement chimique.

Le risque associé à de telles expositions varie selon la fréquence avec laquelle on effectue ces travaux. Pour réduire l'exposition à de tels produits, il faut travailler dans un endroit bien aéré et utiliser le matériel de sécurité approprié, tel un masque anti-poussières spécialement conçu pour filtrer les particules microscopiques.

- Éviter tout contact prolongé avec la poussière soulevée par cet outil ou autres outils électriques.** Porter des vêtements de protection et nettoyer les parties exposées du corps avec de l'eau savonneuse. S'assurer de bien se protéger afin d'éviter d'absorber par la bouche, les yeux ou la peau des produits chimiques nocifs.

⚠ AVERTISSEMENT : Cet outil peut produire et répandre de la poussière susceptible de causer des dommages sérieux et permanents au système respiratoire. Toujours utiliser un appareil respiratoire anti-poussières approuvé par le NIOSH ou l'OSHA. Diriger les particules dans le sens opposé du visage et du corps.

⚠ MISE EN GARDE : Porter les protecteurs auditifs appropriés durant l'utilisation de l'outil. Dans certaines conditions et selon la durée d'utilisation, le bruit engendré par ce produit peut contribuer à la perte de l'ouïe.

⚠ AVERTISSEMENT : TOUJOURS porter des lunettes de sécurité. Les lunettes de vue ne constituent PAS des lunettes de sécurité. Utiliser également un masque facial ou anti-poussière si l'opération de découpe génère de la poussière. TOUJOURS PORTER UN ÉQUIPEMENT DE PROTECTION HOMOLOGUÉ :

- protection oculaire conforme à la norme ANSI Z87.1 (CAN/CSA Z94.3);
- protection auditive ANSI S12.6 (S3.19);
- protection des voies respiratoires conformes aux normes NIOSH/OSHA/MSHA.

Symboles

L'étiquette de l'outil peut comporter les symboles suivants.

| | | | |
|-----------|---------------------------|---------------|------------------------------|
| V | volts | A | ampères |
| Hz | hertz | W | watts |
| min | minutes | ~ | courant alternatif |
| == | courant continu | Ⓜ | sous vide |
| ☐ | Construction de classe II | Ⓜ | borne de mise à la minute |
| ⚠ | symbole d'avertissement | .../min | tours ou courses à la minute |

PREMIERS SOINS RELATIFS À LA COMPOSITION DU GEL (PHS550G SEULEMENT)

Si le gel à l'intérieur de la poignée ergonomique venait à se répandre et entrer en contact avec la peau, laver cette dernière à l'eau savonneuse. En cas de contact avec les yeux, rincer abondamment à l'eau claire. En cas d'ingestion, voir un médecin. Pour obtenir la fiche toxicologique de ce produit (MSDS), téléphoner au **1-800-544-6986**.

CORDONS DE RALLONGE

S'assurer que le cordon de rallonge est en bon état avant de s'en servir. Toujours utiliser un cordon de calibre approprié à l'outil; à savoir, le calibre approprié selon différentes longueurs de rallonge et fournissant la tension nécessaire à l'outil. L'utilisation d'un cordon de calibre inférieur entraîne une baisse de tension et la surchauffe de l'outil.

Consulter le tableau plus bas pour connaître le calibre approprié des rallonges.

| Tension | Calibre minimal des cordons de rallonge | | | | |
|---------------|---|------------------------------|-------------------------|-------------------------|----|
| | Longueur totale du cordon en pieds | | | | |
| 120V | 0-25 (0-7,6m) | 26-50 (7,6-15,2m) | 51-100 (15,2-30,4m) | 101-150 (30,4-45,7m) | |
| 240V | 0-50 (0-15,2m) | 51-100 (15,2-30,4m) | 101-200 (30,4-60,9m) | 201-300 (60,9-91,4m) | |
| Intensité (A) | | Calibre moyen des fils (AWG) | | | |
| moins | plus | | | | |
| 0 | - 6 | 18 | 16 | 16 | 14 |
| 6 | - 10 | 18 | 16 | 14 | 12 |
| 10 | - 12 | 16 | 16 | 14 | 12 |
| 12 | - 16 | 14 | 12 | Non recommandé | |

DESCRIPTION FONCTIONNELLE

1. Interrupteur de vitesse variable
2. Bouton de verrouillage
3. Dégagement de la lame
4. Poignée souple
5. Position pour l'autre main
6. Lame à grande capacité
7. Lame à métaux
8. Protège-dents

MOTEUR

Votre outil est alimenté par un moteur Black & Decker. S'assurer que le bloc d'alimentation est compatible avec l'inscription de la plaque signalétique. Une indication de 120 V, 50/60 Hz ou de 120 V, c.a. seulement signifie que l'outil est conçu pour être alimenté par un courant domestique normal de 120 V. Une diminution de tension de plus de 10 % causera une perte de puissance et une surchauffe. Tous les outils Black & Decker sont testés en usine. Si cet outil ne fonctionne pas, vérifier le bloc d'alimentation.

DÉPOSE ET POSE DE LA LAME

⚠️AVERTISSEMENT : Toujours s'assurer que l'outil est débranché au moment de changer les lames.

Votre scie est pourvue d'un nouveau mécanisme de serrage de lame. Avant d'utiliser la scie, se familiariser avec la dépose et la pose sécuritaire de la lame dans la scie. Toujours s'assurer que le protège-dents est installé au moment de changer de lame.

DÉPOSE DE LA LAME (FIGURE B)

S'assurer que la lame s'est refroidie après son utilisation. Enfoncer la partie arrière du bouton de dégagement de la lame et tenir l'arrière de la lame, puis tourner la lame selon un angle de 90 degrés de manière à ce que le côté des dents se trouve en contact avec le boîtier. Glisser la lame de côté, à l'écart de la broche de retenue, puis la retirer de la scie.

POSE DE LA LAME (FIGURES C ET D)

Mettre la lame sur la broche d'emplacement et s'assurer que le protège-dents est installé. Les dents de la lame doivent faire face à la poignée. (Fig. C)

Remarque : Pour s'assurer que la lame est bien insérée, veiller à ce que la position de la broche de verrouillage corresponde à la découpe du pied de la lame. Le côté plat de la broche de verrouillage doit être parallèle à la partie inférieure de la scie comme le montre l'illustration de la figure C (**Couvercle du boîtier enlevé pour plus de clarté**). Si cette broche n'est pas parallèle à la partie inférieure de la scie, utiliser un tournevis à lame plate pour tourner la broche de manière à la remettre à la bonne position de démarrage.

Tourner la lame à 90° de manière à ce qu'elle se trouve entièrement dans la fente et que la broche d'emplacement soit en position verrouillée. (Fig. D)

Pour s'assurer que la lame est bien insérée, essayer de la retirer sans enfoncer le bouton de dégagement de la lame. Enlever le protège-dents, votre scie peut maintenant être utilisée.

MODE D'EMPLOI

INTERRUPTEUR DE VITESSE VARIABLE (FIGURE E)

Votre scie est pourvue d'un interrupteur de déclenchement de vitesse variable vous assurant une maîtrise accrue sur le début de la coupe, sa vitesse et son débouchage.

Pour allumer votre scie, enfoncer le bouton d'arrêt (2) et presser l'interrupteur de déclenchement (marche/arrêt) de vitesse variable (1). Pour arrêter la scie, relâcher l'interrupteur, l'outil se verrouillera automatiquement.

UTILISATION DE L'OUTIL (FIGURE F)

Tenir l'outil des deux mains comme le montre la figure F. Pour obtenir de meilleurs résultats avec votre scie, utiliser le même mouvement de va-et-vient que pour la scie portative traditionnelle. Cela vous permettra de réaliser une coupe plus rapide et nette.

COUPE DU MÉTAL

On peut utiliser la scie pour couper des métaux ferreux et non ferreux de faible épaisseur, tels que le cuivre, le laiton, l'aluminium, etc. au moyen d'une lame recommandée. Voir la liste de matériaux compatibles. Lors de la coupe de tôles minces, on recommande de fixer un support en bois mou ou en contreplaqué au matériau à couper afin d'obtenir une coupe plus précise. Le métal et le support en bois sont sciés ensemble. Ne pas forcer la lame dans la tôle, car cela réduira la durée de vie de la lame et pourrait endommager le moteur. Puisque la coupe d'une pièce en tôle prend plus de temps que celle d'une pièce de bois relativement épaisse, on doit éviter d'accélérer la coupe en forçant la scie. N'utiliser que la lame à métal prévue à cette fin.

MATÉRIAUX COMPATIBLES

LAME À GRANDE CAPACITÉ

Bois mou
Tuyau de sol plastique

LAME À MÉTAL

Métaux ferreux ou non ferreux

CAPACITÉ

Jusqu'à 4 po (102mm) sur 4 po (102mm)
Jusqu'à 4 7/8 po (124mm)

Jusqu'à 1/8 po d'épaisseur (3mm)

DÉPANNAGE

Problème

- L'appareil refuse de démarrer.

Cause possible

- Cordon d'alimentation non branché.
- Le fusible du circuit est grillé.

Solution possible

- Brancher l'outil dans une prise qui fonctionne.
- Remplacer le fusible du circuit. (Si le produit fait griller de façon répétée le fusible du circuit, arrêter immédiatement d'utiliser le produit et le faire réparer dans un centre de réparation Black & Decker ou un centre de réparation autorisé.)
- Remettre le disjoncteur à zéro. (Si le produit fait déclencher de façon répétée le disjoncteur, arrêter immédiatement d'utiliser le produit et le faire réparer dans un centre de réparation Black & Decker ou un centre de réparation autorisé.)
- Faire remplacer le cordon ou l'interrupteur au centre de réparation Black & Decker ou à un centre de réparation autorisé.

- Le disjoncteur est déclenché.

- Le cordon d'alimentation ou la prise de courant est endommagé(e).

Pour obtenir de l'aide avec l'outil, consulter notre site Web www.blackanddecker.com pour l'emplacement du centre de réparation le plus près ou communiquer avec l'assistance **BLACK & DECKER** au **1-800-544-6986**.

ENTRETIEN ET NETTOYAGE

Nettoyer l'outil seulement au moyen d'un linge humide et d'un savon doux. Certains nettoyeurs domestiques contiennent des produits chimiques qui peuvent gravement endommager le plastique et tout colloïde. Ne pas utiliser d'essence, de térébenthine, de décapant, de diluant pour peintures, ou d'autres produits de même nature. Ne jamais laisser de liquide s'infiltrer à l'intérieur de l'outil ni immerger ce dernier dans un liquide quelconque.

IMPORTANT: Pour assurer la SÉCURITÉ et la FIABILITÉ de ce produit, toutes les opérations de réparation, d'entretien et de réglage doivent être effectuées dans un centre de service autorisé ou par du personnel qualifié; on ne doit utiliser que des pièces de rechange identiques.

ACCESSOIRES

Les accessoires recommandés pour cet outil sont offerts au centre de service autorisé ou chez le dépositaire local; pour obtenir de plus amples renseignements sur ces accessoires, composer le **1 800 544-6986**.

⚠️AVERTISSEMENT : il pourrait s'avérer dangereux d'utiliser des accessoires autres que ceux recommandés pour cet outil.

RENSEIGNEMENTS RELATIFS AU SERVICE

Black & Decker exploite un réseau complet de centres de service et d'ateliers d'entretien autorisés par toute l'Amérique du Nord. Le personnel de tous les centres de service Black & Decker a reçu la formation voulue pour assurer l'entretien efficace et fiable des outils électriques.

Pour obtenir des renseignements d'ordre technique, des conseils relatifs aux réparations ou des pièces de rechange d'origine, communiquer avec le centre de service Black & Decker de la région. On peut trouver l'adresse du centre de service de la région dans l'annuaire des Pages Jaunes à la rubrique «Outils électriques» ou en composant le numéro suivant : **1 (800) 544-6986**.

GARANTIE COMPLÈTE DE DEUX ANS POUR UTILISATION DOMESTIQUE

Black & Decker garantit le produit pour une période de deux ans contre les vices de matière ou de fabrication. Le produit défectueux sera réparé ou remplacé sans frais conformément à l'une des conditions suivantes.

Pour échanger l'outil, il suffit de le retourner au détaillant (si le détaillant participe au programme d'échange rapide Black & Decker). Le retour doit être effectué dans les délais impartis par la politique de retour du détaillant (habituellement entre 30 et 90 jours suivant la date d'achat). Le détaillant peut exiger une preuve d'achat. Prière de vérifier la politique de retour du détaillant au-delà des délais impartis.

On peut également retourner l'outil (port payé) à un centre de service Black & Decker ou à tout autre atelier d'entretien accrédité pour y être remplacé ou réparé, à notre gré. On peut exiger une preuve d'achat. Les adresses des centres de service Black & Decker se trouvent à la rubrique «Outils électriques» des Pages Jaunes.

La présente garantie ne vaut pas pour les accessoires. Les modalités de la présente garantie donnent des droits légaux spécifiques. L'utilisateur peut également se prévaloir d'autres droits selon l'état ou la province qu'il habite. Pour obtenir de plus amples renseignements, communiquer avec le directeur du centre de service Black & Decker de la région. Le produit n'est pas conçu pour un usage commercial.

Remplacement gratuit des étiquettes d'avertissement : Si vos étiquettes d'avertissement deviennent illisibles ou sont manquantes, composez le **1 (800) 544-6986** pour faire remplacer gratuitement vos étiquettes.

Imported by / Importé par
Black & Decker Canada Inc.
100 Central Ave.
Brockville (Ontario) K6V 5W6

Voir la rubrique **“Outils électriques”**
des Pages Jaunes
pour le service et les ventes.



MANUAL DE INSTRUCCIONES

Catálogo N° PHS550G, PHS550B

¡GRACIAS POR ELEGIR BLACK & DECKER!
VAYA A WWW.BLACKANDDECKER.COM/NEWOWNER
PARA REGISTRAR SU NUEVO PRODUCTO.

**ANTES DE DEVOLVER ESTE PRODUCTO POR CUAL-
QUIER MOTIVO, LLAME AL**

(55)5326-7100

ANTES DE LLAMAR, TENGA EL NÚMERO DE CATÁLOGO Y EL CÓDIGO DE FECHA PREPARADOS.

EN LA MAYORÍA DE LOS CASOS, UN REPRESENTANTE DE BLACK & DECKER PUEDE RESOLVER EL PROBLEMA POR TELÉFONO. SI DESEA REALIZAR UNA SUGERENCIA O COMENTARIO, LLÁMENOS. SU

OPINIÓN ES FUNDAMENTAL PARA BLACK & DECKER.

CONSERVE ESTE MANUAL PARA FUTURAS CONSULTAS.

PAUTAS DE SEGURIDAD/DEFINICIONES

Es importante que lea y comprenda este manual. La información que contiene se relaciona con la protección de SU SEGURIDAD y la PREVENCIÓN DE PROBLEMAS. Los símbolos que siguen se utilizan para ayudarlo a reconocer esta información.

⚠️ PELIGRO: indica una situación de peligro inminente que, si no se evita, provocará la muerte o lesiones graves.

⚠️ ADVERTENCIA: indica una situación de peligro potencial que, si no se evita, provocará la muerte o lesiones graves.

⚠️ PRECAUCIÓN: indica una situación de peligro potencial que, si no se evita, provocará lesiones leves o moderadas.

PRECAUCIÓN: utilizado sin el símbolo de alerta de seguridad indica una situación de peligro potencial que, si no se evita, puede provocar daños en la propiedad.

Advertencias generales de seguridad para herramientas eléctricas

⚠️ ADVERTENCIA: Lea todas las advertencias de seguridad e instrucciones El incumplimiento de las advertencias e instrucciones puede provocar descargas eléctricas, incendios o lesiones graves.

Conserve todas las advertencias e instrucciones para futuras consultas.

El término "herramienta eléctrica" incluido en las advertencias hace referencia a las herramientas eléctricas operadas con corriente (con cable eléctrico) o a las herramientas eléctricas operadas con baterías (inalámbricas).

1) Seguridad en el área de trabajo

- Mantenga el área de trabajo limpia y bien iluminada.** *Las áreas abarrotadas y oscuras propician accidentes.*
- No opere herramientas eléctricas en atmósferas explosivas, como ambientes donde se encuentran líquidos, gases o polvo inflamables.** *Las herramientas eléctricas originan chispas que pueden encender el polvo o los vapores.*
- Mantenga a los niños y espectadores alejados de la herramienta eléctrica en funcionamiento.** *Las distracciones pueden provocar la pérdida de control.*

2) Seguridad eléctrica

- a) **Los enchufes de la herramienta eléctrica deben adaptarse al tomacorriente. Nunca modifique el enchufe de ninguna manera. No utilice ningún enchufe adaptador con herramientas eléctricas con conexión a tierra.** *Los enchufes no modificados y que se adaptan a los tomacorrientes reducirán el riesgo de descarga eléctrica.*
- b) **Evite el contacto corporal con superficies puestas a tierra, como por ejemplo tuberías, radiadores, rangos y refrigeradores. Existe mayor riesgo de descarga eléctrica si su cuerpo está puesto a tierra.**
- c) **No exponga las herramientas eléctricas a la lluvia o a condiciones de humedad. Si ingresa agua a una herramienta eléctrica, aumentará el riesgo de descarga eléctrica.**
- d) **No maltrate al cable. Nunca utilice el cable para transportar, tirar o desenchufar la herramienta eléctrica. Mantenga el cable lejos del calor, aceite, bordes afilados o piezas móviles. Los cables dañados o enredados aumentan el riesgo de descarga eléctrica.**
- e) **Al operar una herramienta eléctrica en el exterior, utilice un cable prolongador adecuado para tal uso. Utilice un cable adecuado para uso en exteriores a fin de reducir el riesgo de descarga eléctrica.**
- f) **Si el uso de una herramienta eléctrica en un lugar húmedo es imposible de evitar, utilice un suministro protegido con un interruptor de circuito por falla a tierra (GFCI). El uso de un GFCI reduce el riesgo de descargas eléctricas.**

3) Seguridad personal

- a) **Permanezca alerta, controle lo que está haciendo y utilice el sentido común cuando emplee una herramienta eléctrica. No utilice una herramienta eléctrica si está cansado o bajo el efecto de drogas, alcohol o medicamentos. Un momento de descuido mientras se opera una herramienta eléctrica puede provocar lesiones personales graves.**
- b) **Utilice equipos de protección personal. Siempre utilice protección para los ojos.** *En las condiciones adecuadas, el uso de equipos de protección, como máscaras para polvo, calzado de seguridad antideslizante, cascos o protección auditiva, reducirá las lesiones personales.*
- c) **Evite el encendido por accidente. Asegúrese de que el interruptor esté en la posición de apagado antes de conectarlo a la fuente de energía o paquete de baterías, o antes de levantar o transportar la herramienta.** *Transportar herramientas eléctricas con el dedo apoyado en el interruptor o enchufar herramientas eléctricas con el interruptor en la posición de encendido puede propiciar accidentes.*
- d) **Retire las clavijas de ajuste o llaves de tuercas antes de encender la herramienta eléctrica.** *Una llave de tuercas o una clavija de ajuste que se deje conectada a una pieza giratoria de la herramienta eléctrica pueden provocar lesiones personales.*
- e) **No se estire. Conserve el equilibrio adecuado y manténgase parado correctamente en todo momento. Esto permite un mejor control de la herramienta eléctrica en situaciones inesperadas.**
- f) **Use la vestimenta adecuada. No use ropas holgadas ni joyas. Mantenga el cabello, la ropa y los guantes alejados de las piezas en movimiento. Las ropas holgadas, las joyas o el cabello largo pueden quedar atrapados en las piezas en movimiento.**
- g) **Si se suministran dispositivos para la conexión de accesorios con fines de recolección y extracción de polvo, asegúrese de que estén conectados y que se utilicen correctamente. El uso de dispositivos de recolección de polvo puede reducir los peligros relacionados con el polvo.**

4) Uso y mantenimiento de la herramienta eléctrica

- a) **No fuerce la herramienta eléctrica. Utilice la herramienta eléctrica correcta para el trabajo que realizará.** *La herramienta eléctrica correcta hará el trabajo mejor y más seguro a la velocidad para la que fue diseñada.*
- b) **No utilice la herramienta eléctrica si no puede encenderla o apagarla con el interruptor.** *Toda herramienta eléctrica que no puede ser controlada mediante el interruptor es peligrosa y debe ser reparada.*
- c) **Desconecte el enchufe de la fuente de energía y/o el paquete de baterías de la herramienta eléctrica antes de realizar ajustes, cambiar accesorios o almacenar herramientas eléctricas.** *Estas medidas de seguridad preventivas reducen el riesgo de encender la herramienta eléctrica en forma accidental.*
- d) **Guarde las herramientas eléctricas que no están en uso fuera del alcance de los niños y no permite que otras personas no familiarizadas con ella o con estas instrucciones operen la herramienta.** *Las herramientas eléctricas son peligrosas en las manos de usuarios no entrenados.*
- e) **Mantenimiento de las herramientas eléctricas. Controle que no haya piezas móviles mal alineadas o trabadas, piezas rotas y toda otra situación que pueda afectar el funcionamiento de las herramientas eléctricas. Si encuentra daños, haga reparar la herramienta eléctrica antes de utilizarla.** *Se producen muchos accidentes a causa de las herramientas eléctricas que carecen de un mantenimiento adecuado.*
- f) **Mantenga las herramientas de corte afiladas y limpias.** *Las herramientas de corte con mantenimiento adecuado, con los bordes de corte afilados son menos propensas a trabarse y son más fáciles de controlar.*
- g) **Utilice la herramienta eléctrica, los accesorios y las brocas de la herramienta, etc. de acuerdo con estas instrucciones y teniendo en cuenta las condiciones de trabajo y el trabajo que debe realizarse. El uso de la herramienta eléctrica para operaciones diferentes de aquéllas para las que fue diseñada podría originar una situación peligrosa.**

5) Mantenimiento

- a) **Haga que una persona de reparaciones calificada realice el mantenimiento de su herramienta eléctrica y utilice piezas de repuesto idénticas solamente. Esto garantizará la seguridad de la herramienta eléctrica.**

NORMAS DE SEGURIDAD ESPECÍFICAS

- Sujete la herramienta eléctrica por las superficies aislantes cuando realice una operación en que la herramienta pueda hacer contacto con cableados ocultos.** Al hacer contacto con un cable “vivo”, las partes metálicas de la herramienta se vuelven “vivas” y pueden originar un choque al operador.
- Utilice abrazaderas u otra forma práctica para asegurar y sostener la pieza de trabajo sobre una plataforma estable.** Sostener el trabajo con la mano o contra el cuerpo no brinda la estabilidad requerida y puede llevar a la pérdida del control.
- Mantenga las manos lejos de las zonas de corte.** Nunca se estire por debajo del material por ningún motivo. Sostenga la parte frontal de la sierra desde el área de sujeción contorneada. No inserte los dedos en la zona cercana a la hoja alternativa y a la abrazadera de la hoja. No estabilice la sierra sujetando la zapata.
- Mantenga las hojas afiladas.** Las hojas sin filo pueden hacer que la sierra se desvíe o atasque al recibir presión.
- Tenga especial cuidado al cortar en lugares altos y preste mucha atención a los cables altos que pueden estar ocultos.** Prevea el trayecto de la caída de las ramas y los desechos con anticipación.
- Al cortar tuberías o conductos,** asegúrese de que no contengan agua, cableado eléctrico, etc.

⚠ADVERTENCIA: parte del polvo producido por las herramientas eléctricas al lijar, aserrar, esmerilar, taladrar y realizar otras actividades de la construcción, contiene productos químicos reconocidos por el Estado de California como causantes de cáncer, defectos de nacimiento u otros problemas reproductivos. Algunos de estos productos químicos son:

- el plomo de las pinturas de base plomo,
- la sílice cristalina de ladrillos, el cemento y otros productos de mampostería, y
- el arsénico y el cromo de la madera con tratamiento químico.

El riesgo derivado de estas exposiciones varía según la frecuencia con la que se realice este tipo de trabajo. Para reducir la exposición a estos productos químicos: trabaje en áreas bien ventiladas y trabaje con equipos de seguridad aprobados, como las máscaras para polvo especialmente diseñadas para filtrar las partículas microscópicas.

- Evite el contacto prolongado con el polvo proveniente del lijado, aserrado, amolado y taladrado eléctrico y otras actividades de construcción. Use vestimenta protectora y lave todas las áreas expuestas con agua y jabón.** De entrar polvo en sus ojos, boca, o que este permanezca sobre su piel puede promover la absorción de químicos dañinos.

⚠ADVERTENCIA: El uso de esta herramienta puede generar y/o dispersar el polvo, el cual puede ocasionar lesión respiratoria u otro tipo de lesión grave y permanente. Utilice siempre protección respiratoria NIOSH/OSHA apropiada para la exposición al polvo. Dirija las partículas lejos de su cara o su cuerpo.


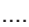

⚠PRECAUCIÓN: Utilice protección para los oídos durante el uso. Bajo ciertas condiciones y duración de uso, el ruido de este producto puede contribuir a una pérdida del uso del oído.

⚠ADVERTENCIA: USE SIEMPRE LENTES DE SEGURIDAD. Los anteojos de uso diario **NO** son lentes de seguridad. Utilice también máscaras faciales o para polvo si el corte produce polvillo. UTILICE SIEMPRE EQUIPOS DE SEGURIDAD CERTIFICADOS:

- Protección para los ojos según la norma ANSI Z87.1 (CAN/CSA Z94.3)*
- Protección auditiva según la norma ANSI S12.6 (S3.19)*
- Protección respiratoria según las normas NIOSH/OSHA/MSHA*

Símbolos

La etiqueta de su herramienta puede incluir los siguientes símbolos.

| | | | |
|---|-----------------------------|---|---|
| V | volts | A..... | amperes |
| Hz | hertz | W..... | watts |
| min..... | minutos | ~ | corriente alterna |
| === | corriente directa | ηo | velocidad sin carga |
|  | construcción clase II |  | terminales de conexión a tierra |
|  | símbolo de alerta seguridad | .../min | revoluciones o reciprocaciones por minuto |

MEDIDAS DE PRIMEROS AUXILIOS PARA EXPOSICIÓN A LOS COMPONENTES DE GEL (PHS550G SOLAMENTE)

Si el gel que se encuentra dentro de la empuñadura queda expuesta y entra en contacto con su piel, lávese con agua y jabón. Si entra en contacto con sus ojos, enjuáguelos con agua fresca. Si ingiere el gel, busque atención médica. Si llama al **55(5326-7100)**, podrá obtener una copia de la Ficha de Datos de Seguridad (MSDS) para este material.

USO DE CABLES DE EXTENSION

Asegúrese que el cable de extensión esté en buenas condiciones antes de usarlo. Utilice siempre extensiones con el calibre adecuado con su herramienta – esto es, el calibre apropiado para diferentes longitudes del cable, con la capacidad suficiente para soportar la corriente que su herramienta necesita. El uso de un cable con calibre insuficiente causará una caída en el voltaje de la línea resultando en pérdida de potencia y sobrecalentamiento. Consulte la tabla que sigue para conocer los calibre del cable.

| | | | | | |
|-----------------|--|------------------------|-------------------------|-------------------------|----|
| | Calibre mínimo para cables de extensión | | | | |
| Volts | Longitud total del cable en pies | | | | |
| 120V | 0-25 (0-7,6m) | 26-50 (7,6-15,2m) | 51-100 (15,2-30,4m) | 101-150 (30,4-45,7m) | |
| 240V | 0-50 (0-15,2m) | 51-100 (15,2-30,4m) | 101-200 (30,4-60,9m) | 201-300 (60,9-91,4m) | |
| Amperaje | | | | | |
| | Más de | No más de | | American Wire Gage | |
| 0 | - 6 | 18 | 16 | 16 | 14 |
| 6 | - 10 | 18 | 16 | 14 | 12 |
| 10 | - 12 | 16 | 16 | 14 | 12 |
| 12 | - 16 | 14 | 12 | No se recomienda | |

DESCRIPCIÓN DE LAS FUNCIONES

- Interruptor de velocidad variable
- Botón de bloqueo
- Liberación de la hoja
- Agarradera blanda
- Segunda posición para la mano
- Hoja de gran capacidad
- Hoja para cortes de metal
- Protector para dientes

MOTOR

Su herramienta funciona alimentada por un motor específico de Black & Decker. Asegúrese de que la fuente de energía concuerde con lo que se indica en la placa. Una indicación de CA de 120 voltios, 50/60 Hz ó 120 voltios solamente significa que la herramienta está diseñada para operar en corriente normal de 120 voltios en el hogar. Un descenso en el voltaje de más del 10% producirá una pérdida de potencia y sobrecalentamiento. Todas las herramientas de Black & Decker están probadas en fábrica. Si esta herramienta no funciona, revise el suministro de energía.

RETIRO Y NUEVO MONTAJE DE LA HOJA

⚠ADVERTENCIA: Siempre asegúrese de que la unidad esté desenchufada de la fuente de energía al cambiar las hojas.

La sierra posee un nuevo mecanismo de bloqueo de la hoja. Antes de utilizar la sierra, familiarícese con el retiro de la hoja y el nuevo montaje en forma segura en la sierra. Siempre asegúrese de que el protector de dientes esté colocado durante el cambio de las hojas.

RETIRO DE LA HOJA (FIGURA B)

Asegúrese de que la hoja se haya enfriado después del uso. Mantenga oprimida la parte posterior del botón de liberación de la hoja, sostenga la parte posterior de la hoja y gírela 90° hasta que la parte dentada se ajuste en la caja. Deslice los laterales de la hoja fuera de la clavija de retención y retírela de la sierra.

MONTAJE DE UNA HOJA (FIGURAS C Y D)

Coloque la hoja con el protector de dientes sobre la clavija de colocación. Los dientes de la hoja deben mirar hacia el mango. (Fig. C)

Nota: Para garantizar que la hoja se ajuste correctamente, asegúrese de que la posición de la clavija de bloqueo sea igual a aquélla de la abertura del vástago de la hoja. El lado plano de la clavija de bloqueo debe estar paralelo a la parte inferior de la sierra como se muestra en el inserto de la Fig. C. **(La cubierta de la caja se retira para obtener claridad).** Si la clavija de bloqueo no está ubicada en paralelo a la parte inferior de la sierra, utilice un destornillador de hoja plana para girar la clavija y colocarla nuevamente en la posición de inicio adecuada.

Gire la hoja 90° hasta que se ubique completamente en la ranura y la clavija de colocación esté en la posición de bloqueo. (Fig. D)

Para garantizar que la hoja se ajuste correctamente, intente retirarla sin presionar el botón de liberación de la hoja. Retire el protector de dientes. La sierra está lista ahora para su uso.

INSTRUCCIONES DE OPERACIÓN

INTERRUPTOR DISPARADOR DE VELOCIDAD VARIABLE (FIGURA E)

La sierra está equipada con un interruptor disparador de velocidad variable que permite que tenga un mejor control sobre el inicio del corte, la velocidad de corte y el avance del corte.

Para encender la sierra, oprima el botón de bloqueo (2) y oprima el interruptor disparador de encendido/apagado de velocidad variable (1). Para apagarla, libere el disparador, la unidad se bloqueará automáticamente.

USO DE LA HERRAMIENTA (FIGURA F)

Sostenga la herramienta con las dos manos como se muestra en la Figura F. Para lograr los mejores resultados del uso de la sierra, utilice el mismo movimiento de avance y retroceso que emplearía con una sierra de mano tradicional. Esto le permitirá realizar un corte más rápido y más definido.

CORTE DE METAL

Su sierra puede ser utilizada para cortar metales no-ferrosos de bajo calibre, tales como el cobre, el bronce, el aluminio, etc., utilizando para ello una cuchilla especificada. Tenga en cuenta los materiales recomendados.

Cuando corte hojas delgadas, es aconsejable asegurar una hoja de respaldo de madera blanda o contrachapada al material de corte. Esto le permitirá obtener un corte más preciso. Tanto el material metálico como el de respaldo serán cortados simultáneamente. No fuerce la cuchilla en el metal, pues esto reduce la vida de la cuchilla y puede averiar el motor. El corte de material delgado puede tomar más tiempo inclusive que el corte de una pieza de madera relativamente gruesa, por lo cual se recomienda no acelerar el proceso forzando la cuchilla. Utilice tan sólo cuchillas para cortar metales para este fin.

MATERIALES RECOMENDADOS

CUCHILLAS DE ALTA

Maderas blandas
Tuberías de plástico

CUCHILLAS PARA CORTE DE METALES

Metales ferrosos y no-ferrosos

CAPACIDAD

CAPACIDAD

Hasta 4 pulg. (102mm) x 4 pulg. (102mm)
Hasta 4-7/8 pulg. (124mm)

Hasta 1/8 pulg. (3mm) de espesor

DETECCIÓN DE PROBLEMAS

| Problema | Causa posible | Solución posible |
|-------------------------|---|---|
| •La unidad no enciende. | • Cable desenchufado. • Fusible quemado. | • Enchufe el cargador en un tomacorriente que funcione. • Reemplace el fusible quemado. (Si repetidamente el producto hace que el fusible del circuito se queme, deje de utilizarlo inmediatamente y haga que le realicen mantenimiento en un centro de mantenimiento Black & Decker o en un centro de servicio autorizado.) |
| | • El interruptor automático está activado. | • Reinicie el interruptor automático. (Si repetidamente el producto hace que el fusible del circuito se queme, deje de utilizarlo inmediatamente y haga que le realicen mantenimiento en un centro de mantenimiento Black & Decker o en un centro de servicio autorizado.) |
| | • Interruptor o cable dañado. | • Haga reparar el cable o el interruptor en un centro de mantenimiento Black & Decker o en un centro de mantenimiento autorizado. |

Para conocer la ubicación del centro de mantenimiento más cercano a fin de recibir ayuda con su producto, visite nuestro sitio Web www.blackanddecker.com o llame a la línea de ayuda BLACK & DECKER al **55-5326-7100**

MANTENIMIENTO/LIMPIEZA

Para limpiar la herramienta, sólo utilice un paño húmedo y jabón suave. Muchos limpiadores domésticos contienen químicos que podrían dañar seriamente los componentes plásticos y de gel. Tampoco utilice gasolina, trementina, laca o diluyente de pintura o productos similares. Jamás permita que le entre líquido a la herramienta; nunca sumerja ninguna parte de la herramienta.

IMPORTANTE: Para garantizar la SEGURIDAD y la FIABILIDAD del producto, toda reparación, mantenimiento y ajuste, deberán ser realizados en los centros autorizados de servicio u otras organizaciones de servicio calificadas, utilizando siempre para ello accesorios originales.

ACCESORIOS

Los accesorios que se recomiendan para la herramienta están disponibles en su distribuidor local o en el centro de mantenimiento autorizado. Si necesita ayuda con respecto a los accesorios, llame al: **(55)5326-7100**

⚠ ADVERTENCIA: El uso de accesorios no recomendados para utilizar con esta herramienta puede resultar peligroso.

INFORMACIÓN DE SERVICIO

Black & Decker ofrece una amplia red de puntos de servicio propios y autorizados en toda Norteamérica. Todos los Centros de servicio Black & Decker cuentan con personal altamente capacitado dispuesto a brindar a todos los clientes un servicio eficiente y confiable en la reparación de herramientas eléctricas.

Si necesita consejo técnico, reparaciones o piezas de repuesto originales de fábrica, póngase en contacto con el centro de servicios de Black & Decker más cercano a su domicilio. Para ubicar a su servicio local, consulte “Herramientas eléctricas (Tools-Electric)” en la sección amarilla, o llame al: **(55)5326-7100**

GARANTÍA COMPLETA DE DOS AÑOS PARA USO EN EL HOGAR

Black & Decker (EE.UU.) Inc. ofrece una garantía de dos años por cualquier defecto del material o de fabricación de este producto. El producto defectuoso se reparará o reemplazará sin costo alguno de dos maneras.

La primera opción, el reemplazo, es devolver el producto al comercio donde se lo adquirió (siempre y cuando se trate de un comercio participante). Las devoluciones deben realizarse conforme a la política de devolución del comercio (generalmente, entre 30 y 90 días posteriores a la venta). Le pueden solicitar comprobante de compra. Consulte en el comercio acerca de la política especial sobre devoluciones una vez superado el plazo establecido.

La segunda opción es llevar o enviar el producto (con flete pago) a un Centro de servicio autorizado propio de Black & Decker para su reparación o reemplazo según nuestro criterio. Le pueden solicitar comprobante de compra. Encontrará una lista de los Centros de servicio autorizados y de propiedad de Black & Decker bajo “Herramientas eléctricas (Tools-Electric)” en las páginas amarillas de la guía telefónica.

Esta garantía no se extiende a los accesorios. Esta garantía le concede derechos legales específicos; pueden variar según el estado. Ante cualquier inquietud, comuníquese con el Centro de servicio de Black & Decker más cercano.

Este producto no es para uso comercial.

Para reparación y servicio de sus herramientas eléctricas, favor de dirigirse al Centro de Servicio más cercano:

CULIACAN, SIN

Av. Nicolás Bravo #1063 Sur
(667) 7 12 42 11
Col. Industrial Bravo

GUADALAJARA, JAL

Av. La Paz #1779
(33) 3825 6978
Col. Americana Sector Juarez

MEXICO, D.F.

Eje Central Lázaro Cardenas
No. 18
(55) 5588 9377
Local D, Col. Obrera

MERIDA, YUC

Calle 63 #459-A
(999) 928 5038
Col. Centro

MONTERREY, N.L.

Av. Francisco I. Madero
No.831
(81) 8375 2313
Col. Centro

PUEBLA, PUE

17 Norte #205
(222) 246 3714
Col. Centro

QUERETARO, QRO

Av. Madero 139 Pte.
(442) 214 1660
Col. Centro

SAN LUIS POTOSI, SLP

Av. Universidad 1525
(444) 814 2383
Col. San Luis

TORREON, COAH

Blvd. Independencia, 96 Pte.
(871) 716 5265
Col. Centro

VERACRUZ, VER

Prolongación Díaz Mirón #4280
(229)921 7016
Col. Remes

VILLAHERMOSA, TAB

Constitución 516-A
(993) 312 5111
Col. Centro

PARA OTRAS LOCALIDADES LLAME AL: (55) 5326 7100

Vea “Herramientas eléctricas (Tools-Electric)” – Páginas amarillas – para Servicio y ventas



BLACK & DECKER S.A. DE C.V.
BOSQUES DE CIDROS ACCESO
RADIATAS NO. 42
COL. BOSQUES DE LAS LOMAS.
05120 MÉXICO, D.F.
TEL. 55-5326-7100

ESPECIFICACIONES

120V, 60Hz, 400W, 3,4A