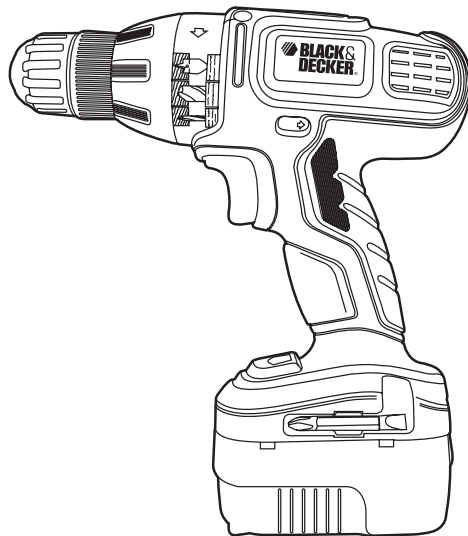




CORDLESS DRILL INSTRUCTION MANUAL

Catalog Numbers SS12D, SS14, SS18



**Thank you for choosing Black & Decker!
Go to www.BlackandDecker.com/NewOwner
to register your new product.**

PLEASE READ BEFORE RETURNING THIS PRODUCT FOR ANY REASON:

If you have a question or experience a problem with your Black & Decker purchase, go to
[HTTP://WWW.BLACKANDDECKER.COM/INSTANTANSWERS](http://WWW.BLACKANDDECKER.COM/INSTANTANSWERS)
for instant answers 24 hours a day.

If you can't find the answer or do not have access to the internet,
call 1-800-544-6986 from 8 a.m. to 5 p.m. EST Mon. -- Fri. to speak with an agent.

Please have the catalog number available when you call.

SAVE THIS INSTRUCTION MANUAL FOR FUTURE REFERENCE.

VEA EL ESPAÑOL EN LA CONTRAPORTADA.

INSTRUCTIVO DE OPERACIÓN, CENTROS DE SERVICIO Y PÓLIZA DE GARANTÍA.
ADVERTENCIA: LÉASE ESTE INSTRUCTIVO ANTES DE USAR EL PRODUCTO.

General Power Tool Safety Warnings

⚠ WARNING! Read all safety warnings and instructions. Failure to follow the warnings and instructions may result in electric shock, fire and/or serious injury.

Save all warnings and instructions for future reference.

The term “power tool” in the warnings refers to your mains-operated (corded) power tool or battery-operated (cordless) power tool.

1) Work area safety

- a) **Keep work area clean and well lit.** *Cluttered or dark areas invite accidents.*
- b) **Do not operate power tools in explosive atmospheres, such as in the presence of flammable liquids, gases or dust.** *Power tools create sparks which may ignite the dust or fumes.*
- c) **Keep children and bystanders away while operating a power tool.** *Distractions can cause you to lose control.*

2) Electrical safety

- a) **Power tool plugs must match the outlet. Never modify the plug in any way. Do not use any adapter plugs with earthed (grounded) power tools.** *Unmodified plugs and matching outlets will reduce risk of electric shock.*
- b) **Avoid body contact with earthed or grounded surfaces such as pipes, radiators, ranges and refrigerators.** *There is an increased risk of electric shock if your body is earthed or grounded.*
- c) **Do not expose power tools to rain or wet conditions.** *Water entering a power tool will increase the risk of electric shock.*
- d) **Do not abuse the cord. Never use the cord for carrying, pulling or unplugging the power tool. Keep cord away from heat, oil, sharp edges or moving parts.** *Damaged or entangled cords increase the risk of electric shock.*
- e) **When operating a power tool outdoors, use an extension cord suitable for outdoor use.** *Use of a cord suitable for outdoor use reduces the risk of electric shock.*
- f) **If operating a power tool in a damp location is unavoidable, use a ground fault circuit interrupter (GFCI) protected supply.** *Use of a GFCI reduces the risk of electric shock.*

3) Personal safety

- a) **Stay alert, watch what you are doing and use common sense when operating a power tool. Do not use a power tool while you are tired or under the influence of drugs, alcohol or medication.** *A moment of inattention while operating power tools may result in serious personal injury.*
- b) **Use personal protective equipment. Always wear eye protection.** *Protective equipment such as dust mask, non-skid safety shoes, hard hat, or hearing protection used for appropriate conditions will reduce personal injuries.*
- c) **Prevent unintentional starting. Ensure the switch is in the off-position before connecting to power source and/or battery pack, picking up or carrying the tool.** *Carrying power tools with your finger on the switch or energising power tools that have the switch on invites accidents.*
- d) **Remove any adjusting key or wrench before turning the power tool on.** *A wrench or a key left attached to a rotating part of the power tool may result in personal injury.*
- e) **Do not overreach. Keep proper footing and balance at all times.** *This enables better control of the power tool in unexpected situations.*
- f) **Dress properly. Do not wear loose clothing or jewellery. Keep your hair, clothing and gloves away from moving parts.** *Loose clothes, jewellery or long hair can be caught in moving parts.*
- g) **If devices are provided for the connection of dust extraction and collection facilities, ensure these are connected and properly used.** *Use of dust collection can reduce dust-related hazards.*

4) Power tool use and care

- a) **Do not force the power tool. Use the correct power tool for your application.** *The correct power tool will do the job better and safer at the rate for which it was designed.*

- b) **Do not use the power tool if the switch does not turn it on and off.** *Any power tool that cannot be controlled with the switch is dangerous and must be repaired.*
 - c) **Disconnect the plug from the power source and/or the battery pack from the power tool before making any adjustments, changing accessories, or storing power tools.** *Such preventive safety measures reduce the risk of starting the power tool accidentally.*
 - d) **Store idle power tools out of the reach of children and do not allow persons unfamiliar with the power tool or these instructions to operate the power tool.** *Power tools are dangerous in the hands of untrained users.*
 - e) **Maintain power tools. Check for misalignment or binding of moving parts, breakage of parts and any other condition that may affect the power tool's operation. If damaged, have the power tool repaired before use.** *Many accidents are caused by poorly maintained power tools.*
 - f) **Keep cutting tools sharp and clean.** *Properly maintained cutting tools with sharp cutting edges are less likely to bind and are easier to control.*
 - g) **Use the power tool, accessories and tool bits etc., in accordance with these instructions, taking into account the working conditions and the work to be performed.** *Use of the power tool for operations different from those intended could result in a hazardous situation.*
- 5) **Battery tool use and care**
- a) **Recharge only with the charger specified by the manufacturer.** *A charger that is suitable for one type of battery pack may create a risk of fire when used with another battery pack.*
 - b) **Use power tools only with specifically designated battery packs.** *Use of any other battery packs may create a risk of injury and fire.*
 - c) **When battery pack is not in use, keep it away from other metal objects like paper clips, coins, keys, nails, screws, or other small metal objects that can make a connection from one terminal to another.** *Shorting the battery terminals together may cause burns or a fire.*
 - d) **Under abusive conditions, liquid may be ejected from the battery, avoid contact. If contact accidentally occurs, flush with water. If liquid contacts eyes, additionally seek medical help.** *Liquid ejected from the battery may cause irritation or burns.*
- 6) **Service**
- a) **Have your power tool serviced by a qualified repair person using only identical replacement parts.** *This will ensure that the safety of the power tool is maintained.*

SPECIFIC SAFETY RULES

- **Wear ear protectors with impact drills.** *Exposure to noise can cause hearing loss.*
- **Use auxiliary handles supplied with the tool.** *Loss of control can cause personal injury.*
- **Hold power tools by insulated gripping surfaces when performing an operation where the cutting tool may contact hidden wiring or its own cord.** *Contact with a "live" wire will make exposed metal parts of the tool "live" and shock the operator.*
- **When working on a ladder or on scaffolding be sure to lay the tool down on its side when not in use.** *Some tools with large battery packs will stand upright but may be easily knocked over.*
- **Use clamps or another practical way to secure and support the work piece to a stable platform.** *Holding the work by hand or against your body leaves it unstable and may lead to loss of control.*
- **Keep your hair, clothing, and gloves away from air vents.** *Air vents often cover moving parts in which these items can be caught.*
- **Hold tool firmly with two hands.** *Use auxiliary handle if provided. If auxiliary handle not provided, grip tool at bottom of battery. Loss of control can cause personal injury.*

⚠ WARNING: Some dust created by power sanding, sawing, grinding, drilling, and other construction activities contains chemicals known to the State of California to cause cancer, birth defects or other reproductive harm. Some examples of these chemicals are:

- lead from lead-based paints,
- crystalline silica from bricks and cement and other masonry products, and
- arsenic and chromium from chemically-treated lumber.

Your risk from these exposures varies, depending on how often you do this type of work. To reduce your exposure to these chemicals: work in a well ventilated area, and work with approved safety equipment, such as those dust masks that are specially designed to filter out microscopic particles.

- **Avoid prolonged contact with dust from power sanding, sawing, grinding, drilling, and other construction activities. Wear protective clothing and wash exposed areas with soap and water.** Allowing dust to get into your mouth, eyes, or lay on the skin may promote absorption of harmful chemicals.

⚠ WARNING: Use of this tool can generate and/or disperse dust, which may cause serious and permanent respiratory or other injury. Always use NIOSH/OSHA approved respiratory protection appropriate for the dust exposure. Direct particles away from face and body.

⚠ WARNING: ALWAYS use safety glasses. Everyday eye glasses are NOT safety glasses. Also use face or dust mask if cutting operation is dusty. ALWAYS WEAR CERTIFIED SAFETY EQUIPMENT:

- ANSI Z87.1 eye protection (CAN/CSA Z94.3)
- ANSI S12.6 (S3.19) hearing protection
- NIOSH/OSHA/MSHA respiratory protection

SAFETY GUIDELINES - DEFINITIONS

It is important for you to read and understand this manual. The information it contains relates to protecting YOUR SAFETY and PREVENTING PROBLEMS. The symbols below are used to help you recognize this information.




⚠ DANGER: Indicates an imminently hazardous situation which, if not avoided, will result in death or serious injury.

⚠ WARNING: Indicates a potentially hazardous situation which, if not avoided, could result in death or serious injury.

⚠ CAUTION: Indicates a potentially hazardous situation which, if not avoided, may result in minor or moderate injury.

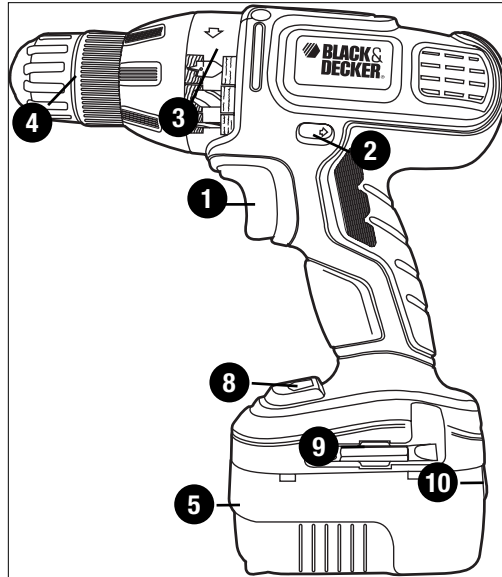
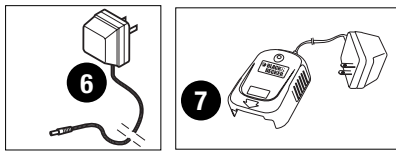
CAUTION: Used without the safety alert symbol indicates a potentially hazardous situation which, if not avoided, may result in property damage.

The label on your tool may include the following symbols.

V	volts	A.....	amperes
Hz	hertz	W	watts
min	minutes	~	alternating current
	direct current	n _o	no load speed
	Class II Construction	⊕	earthing terminal
	safety alert symbol	.../min	revolutions or reciprocations per minute

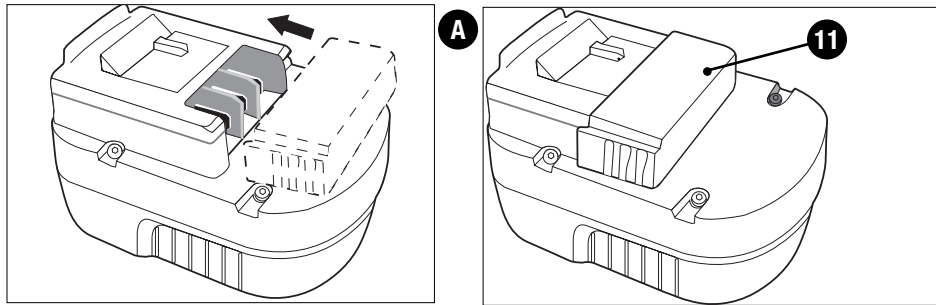
FUNCTIONAL DESCRIPTION

1. Variable speed switch
2. Forward/reverse slider
3. Optimal performance selector (clutch)
4. Chuck
5. Battery
6. Jack Plug Charger
7. Cup Charger
8. Battery Level Indicator
9. Screwdriver bit holder
10. Battery release button



BATTERY CAP INFORMATION FIGURE A

Battery pack storage and carrying caps (11) are provided for use whenever the battery pack is out of the tool or charger. Remove cap before placing battery pack in charger or tool.



⚠ WARNING: Do not store or carry battery pack so that metal objects can contact exposed battery pack terminals. For example, do not place battery pack in aprons, pockets, tool boxes, product kit boxes, drawers, etc. with loose nails, screws, keys, etc. without battery cap. Transporting batteries can possibly cause fires if the battery pack terminals inadvertently come in contact with conductive materials such as keys, coins, hand tools and the like. The US Department of Transportation Hazardous Material Regulations (HMR) actually prohibit transporting batteries in commerce or on airplanes (i.e. packed in suitcases and carryon luggage) UNLESS they are properly protected from short circuits. So when transporting individual batteries, make sure that the battery pack terminals are protected and well insulated from materials that could contact them and cause a short circuit.

⚠ Safety Warnings and Instructions: Charging the Battery pack

1. This manual contains important safety and operating instructions.
2. Before using battery charger, read all instructions and cautionary markings on (1) battery charger, (2) battery pack, and (3) product using battery pack.
3. **⚠ CAUTION:** To reduce the risk of injury, charge only Black & Decker Power Packs. Other types of batteries may burst causing personal injury and damage.
4. Do not expose charger to rain or snow.
5. Use of an attachment not recommended or sold by Black & Decker may result in a risk of fire, electric shock, or injury to persons.

6. To reduce risk of damage to electric plug and cord, pull by plug rather than cord when disconnecting charger.
7. Make sure cord is located so that it will not be stepped on, tripped over, or otherwise subjected to damage or stress.
8. An extension cord should not be used unless absolutely necessary. Use of improper extension cord could result in a risk of fire, electric shock or electrocution.
 - a. Two-wire cords can be used with 2-wire or 3-wire extension cords. Only round jacketed extension cords should be used, and we recommend that they be listed by Underwriters Laboratories (U.L.). If the extension is to be used outside, the cord must be suitable for outdoor use. Any cord marked for outdoor use can also be used for indoor work. The letters "W" or "WA" on the cord jacket indicate that the cord is suitable for outdoor use.
 - b. An extension cord must have adequate wire size (AWG or American Wire Gauge) for safety, and to prevent loss of power and overheating. The smaller the gauge number of the wire, the greater the capacity of the cable; that is, 16 gauge has more capacity than 18 gauge. When using more than one extension to make up the total length, be sure each extension contains at least the minimum wire size.

**CHART FOR MINIMUM WIRE SIZE (AWG) OF EXTENSION CORDS
NAMEPLATE RATING AMPS – 0 – 10.0**

Total Extension Cord Length (ft)	0-25 (0-7,6m)	26-50 (7,6-15,2m)	51-100 (15,2-30,4m)	101-150 (30,4-45,7m)
Wire Gauge	18	16	16	14

9. Use only the supplied charger when charging your drill. The use of any other charger could damage the drill or create a hazardous condition.
10. Use only one charger when charging.
11. Do not attempt to open the charger or the drill. There are no customer serviceable parts inside. Return to any authorized Black & Decker service center.
12. DO NOT incinerate the drill or battery packs even if they are severely damaged or completely worn out. The batteries can explode in a fire.
13. A small leakage of liquid from the battery pack cells may occur under extreme usage, charging or temperature conditions. This does not indicate a failure. However, if the outer seal is broken and this leakage gets on your skin:
 - a. Wash quickly with soap and water.
 - b. Neutralize with a mild acid such as lemon juice or vinegar.
 - c. If the battery pack liquid gets in your eyes, flush them with clean water for a minimum of 10 minutes and seek immediate medical attention. **MEDICAL NOTE:** The liquid is a 25-35% solution of potassium hydroxide.

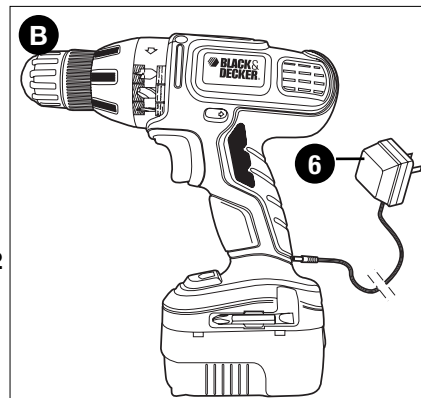
CHARGING THE POWER PACK

Your drill may use either a jack plug charger or a cup charger, both of which are described below. Please follow the directions for the type of charger that you have. Chargers are designed to use standard 120 volt AC, 60 Hz power. Do not use DC or any other voltage.

THE BATTERIES IN YOUR POWER PACK ARE NOT FULLY CHARGED AT THE FACTORY. BEFORE ATTEMPTING TO CHARGE THEM, THOROUGHLY READ ALL OF THE SAFETY INSTRUCTIONS.

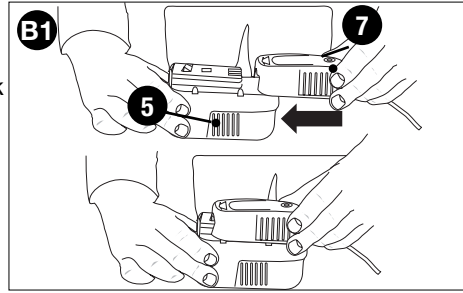
INSTRUCTIONS FOR JACK PLUG CHARGERS:

1. Place the battery pack into the tool until it "clicks" into place.
2. Insert the charger plug into the connector as shown in **figure B**.
3. Plug the charger (6) into any standard 120 Volt 60 Hz electrical outlet and let the battery pack charge initially for **12 hours**. After the initial charge, under normal usage, your power pack should be fully charged in **6 to 12 hours**.
4. ⚠ **WARNING: Fire Hazard.** Disconnect the charger from the outlet first, then disconnect the charger from the tool. Do not use the tool while it is connected to the charger.



INSTRUCTIONS FOR CUP CHARGERS:

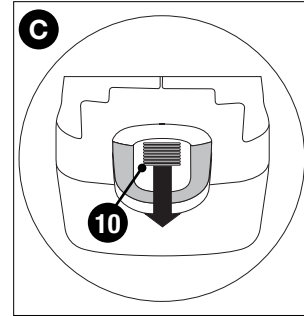
1. Plug the charger into any standard 120 Volt 60 Hz electrical outlet.
2. Slide the charger (7) onto the battery pack (5) as shown in **figure B1** and let the battery pack charge initially for **12 hours**. After the initial charge, under normal usage, your battery pack should be fully charged in **6 to 12 hours**.
3. Unplug charger, and remove the battery pack. **Place the battery pack into the tool until it “clicks” into place.**



NOTE: To remove the battery pack from the drill, press down on the release button (10) on the back of the battery pack (**figure C**) and slide out.

IMPORTANT CHARGING NOTES

1. After normal usage, your battery pack should be fully charged in **6 to 12 hours**. If the battery pack is run-down completely, it may take up to **12 hours** to become fully charged. Your battery pack was sent from the factory in an uncharged condition. Before attempting to use it, it must be charged for at least **12 hours**.
2. **DO NOT** charge the power pack in an air temperature below 40°F (4.5°C) or above 105°F (40.5°C). This is important and will prevent serious damage to the power pack. Longest life and best performance can be obtained if power pack is charged when air temperature is about 75°F (24°C).
3. While charging, the charger may hum and become warm to touch. This is a normal condition and does not indicate a problem.
4. If the power pack does not charge properly—(1) Check current at receptacle by plugging in a lamp or other appliance. (2) Check to see if receptacle is connected to a light switch which turns power off when you turn out the lights. (3) Move charger and power pack to a surrounding air temperature of 40°F (4.5°C) to 105°F (40.5°C). (4) If the receptacle and temperature are OK, and you do not get proper charging, take or send the power pack and charger to your local Black & Decker service center. See Tools Electric in yellow pages.
5. The power pack should be recharged when it fails to produce sufficient power on jobs which were easily done previously. **DO NOT CONTINUE** using product with its power pack in a depleted condition.
6. To prolong power pack life, avoid leaving the power pack on charge for extended periods of time (over 30 days without use). Although overcharging is not a safety concern, it can significantly reduce overall power pack life.
7. When the battery pack is inserted into the charger, the red “Charging Indicator” light will come on (cup charger only) indicating that there is contact between the battery pack and charger. The light will stay on as long as the battery pack is in the charger and the charger is plugged into a working outlet. It **WILL NOT** flash, go out or change to a different color when the charging cycle is complete.
8. The power pack will reach optimum performance after being cycled 5 times during normal usage. There is no need to run the batteries down completely before recharging. Normal usage is the best method of discharging and recharging the batteries.

**SAFETY WARNINGS AND INSTRUCTIONS: DRILLS**

1. Hold drill firmly with one hand on the grip and the other hand on the bottom of the battery pack.
2. When attaching accessories in the drill chuck, hand tighten the keyless chuck firmly.

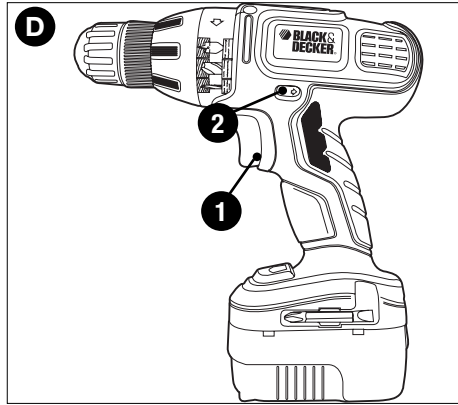
⚠ WARNING: Drill may stall (if overloaded or improperly used) causing a twist. Always expect the stall. Grip the drill firmly with both hands to control the twisting action and prevent loss of control which could cause personal injury. If a stall does occur, release the trigger immediately and determine the reason for the stall before re-starting.

OPERATING INSTRUCTIONS

TRIGGER SWITCH & REVERSING BUTTON (FIGURE D)

- The drill is turned ON and OFF by pulling and releasing the trigger switch (1). The farther the trigger is depressed, the higher the speed of the drill.
- A forward/reverse control button (2) determines the direction of the tool and also serves as a lock off button.
- To select forward rotation, release the trigger switch and depress the forward/reverse control button to the left.
- To select reverse, depress the forward/reverse control button the opposite direction.

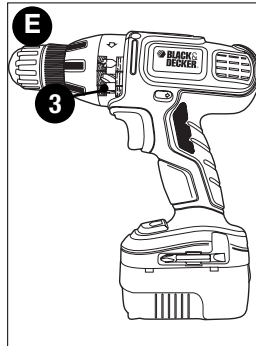
NOTE: The center position of the control button locks the tool in the off position. When changing the position of the control button, be sure the trigger is released.



TORQUE CONTROL (SMART SELECT TECHNOLOGY) (FIGURE E)

This tool is fitted with a collar (3) which depicts various drilling and screwdriving applications. They are used to select the operating mode and to set the torque for tightening screws. Large screws and hard workpiece materials require a higher torque setting than small screws and soft workpiece materials.

When the optimal performance selector collar (3) is rotated to any of the images shown in the chart below, the tool shifts to deliver either the recommended torque or speed for that application.



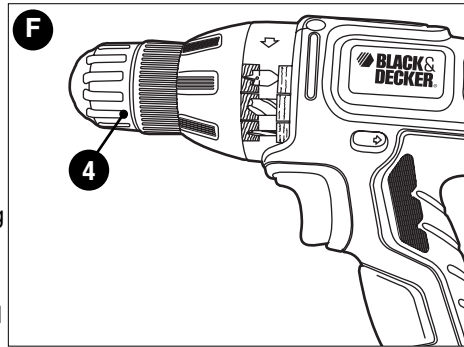
SMART SELECT TECHNOLOGY		
ON-PRODUCT IMAGE	APPLICATION	DRILL AUTOMATICALLY DELIVERS
	Driving 1/4 in. - 1 in. screws Para colocar tornillos largos de 6,35 mm a 25,4 mm (1/4 pulg. a 1 pulg.)	LOW TORQUE BAJA TORSIÓN
	Driving 1 in. or longer screws Para colocar tornillos de 25,4 mm (1 pulg.) o m-s lar gos	MEDIUM TORQUE MEDIA TORSIÓN
	Drilling 1/2 in. or larger drill bit into metal Para colocar broca helicoidal de 12,7 mm (1/2 pulg.) o m-s lar ga en metal	HIGH TORQUE ALTA TORSIÓN
	Drilling 1 in. or larger spade bit Para colocar broca de pala de 25,4 mm (1 pulg.) o m-s lar ga en madera	HIGHEST TORQUE LA MAYOR TORSIÓN
	SHIFT CAMBIO	Transition from HIGH TORQUE to HIGH SPEED Transición de ALTA TORSIÓN a ALTA VELOCIDAD
	Drilling up to 1/2 in. drill bit into any material Para colocar broca helicoidal de hasta 12,7 mm (1/2 pulg.) en cualquier material	HIGH SPEED ALTA VELOCIDAD
	Drilling 3/8 in. or larger drill bit into wood or plastic Para colocar broca helicoidal de 9,5 mm (3/8 pulg.) o m-s lar ga en madera o pl-stico	HIGH SPEED ALTA VELOCIDAD
	Drilling 7/8 in. spade or smaller bit into wood Para colocar broca de pala de 22,2 mm (7/8 pulg.) en madera o m-s pequeo	HIGH SPEED ALTA VELOCIDAD

KEYLESS CHUCK (FIGURE F)

To insert a drill bit or other accessory:

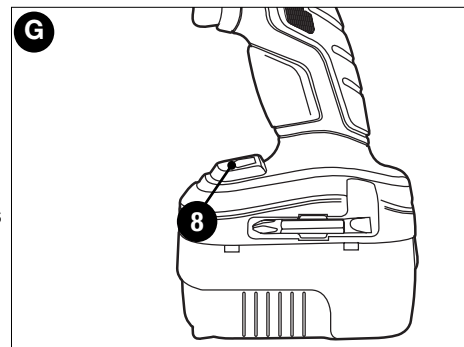
1. Grasp the rear half of the chuck (4) with one hand and use your other hand to rotate the front half in the counterclockwise direction, as viewed from the chuck end.
2. Insert the bit or other accessory fully into the chuck, and tighten securely by holding the rear half of the chuck and rotating the front portion in the clockwise direction as viewed from the chuck end.

⚠ WARNING: Do not attempt to tighten drill bits (or any other accessory) by gripping the front part of the chuck and turning the tool on. Damage to the chuck and personal injury may occur when changing accessories.

**Battery Level Indicator - Figure G**

A battery charge indicator (8) is built into the drill.

- To display the charge status, press the black button at the bottom of the indicator.
- When fully charged batteries are installed, all three lights will be illuminated. As the charge is depleted, there will be less lights illuminated.

**SCREW DRIVING**

For driving fasteners, the reversing button should be pushed to the left. Use reverse (button pushed to the right) for removing fasteners. When moving from forward to reverse, or vice versa, always release the trigger switch first.

ON BOARD BIT STORAGE

A bit storage slot is built-in to the area just above the battery pack.

DRILLING

- Use sharp drill bits only.
- Support and secure work properly, as instructed in the Safety Instructions.
- Use appropriate and required safety equipment, as instructed in the Safety Instructions.
- Secure and maintain work area, as instructed in the Safety Instructions.
- Run the drill very slowly, using light pressure, until the hole is started enough to keep the drill bit from slipping out of it.
- Apply pressure in a straight line with the bit. Use enough pressure to keep the bit biting but not so much as to stall the motor or deflect the bit.
- **Hold the drill firmly with two hands to control its twisting action.**
- **DO NOT CLICK THE TRIGGER OF A STALLED DRILL OFF AND ON IN AN ATTEMPT TO START IT. DAMAGE TO THE DRILL CAN RESULT.**
- Minimize stalling on breakthrough by reducing pressure and slowly drilling through the last part of the hole.
- Keep the motor running while pulling the bit out of a drilled hole. This will help reduce jamming.
- **Make sure switch turns drill on and off.**

MAINTENANCE

Use only mild soap and damp cloth to clean the tool. Never let any liquid get inside the tool; never immerse any part of the tool into a liquid.

IMPORTANT: To assure product SAFETY and RELIABILITY, repairs, maintenance and adjustment (other than those listed in this manual) should be performed by authorized service centers or other qualified service personnel, always using identical replacement parts.

TROUBLESHOOTING

<u>Problem</u>	<u>Possible Cause</u>	<u>Possible Solution</u>
<ul style="list-style-type: none"> • Unit will not start. 	<ul style="list-style-type: none"> • Battery pack not installed properly. 	<ul style="list-style-type: none"> • Check battery pack installation.
<ul style="list-style-type: none"> • Battery pack will not charge. 	<ul style="list-style-type: none"> • Battery pack not charged. • Battery pack not inserted into charger. • Charger not plugged in. • Surrounding air temperature too hot or too cold. 	<ul style="list-style-type: none"> • Check battery pack charging requirements. • Insert battery pack into charger until red LED appears. • Plug charger into a working outlet. Refer to "Important Charging Notes" for more details. • Move charger and battery pack to a surrounding air temperature of above 40 degrees F (4.5°C) or below 105 degrees F (+40.5°C).

For assistance with your product, visit our website www.blackanddecker.com for the location of the service center nearest you or call the BLACK & DECKER help line at **1-800-544-6986**.

ACCESSORIES

Recommended accessories for use with your tool are available from your local dealer or authorized service center. If you need assistance regarding accessories, please call: **1-800-544-6986**.

⚠ WARNING: The use of any accessory not recommended for use with this tool could be hazardous.

The RBRC™ Seal

The RBRC™ (Rechargeable Battery Recycling Corporation) Seal on the nickel-cadmium battery (or battery pack) indicates that the costs to recycle the battery (or battery pack) at the end of its useful life have already been paid by Black & Decker. In some areas, it is illegal to place spent nickel-cadmium batteries in the trash or municipal solid waste stream and the RBRC program provides an environmentally conscious alternative.

RBRC in cooperation with Black & Decker and other battery users, has established programs in the United States and Canada to facilitate the collection of spent nickel-cadmium batteries. Help protect our environment and conserve natural resources by returning the spent nickel-cadmium battery to an authorized Black & Decker service center or to your local retailer for recycling. You may also contact your local recycling center for information on where to drop off the spent battery, or call **1-800-8-BATTERY**.



Service Information

All Black & Decker Service Centers are staffed with trained personnel to provide customers with efficient and reliable power tool service. Whether you need technical advice, repair, or genuine factory replacement parts, contact the Black & Decker location nearest you. To find your local service location, refer to the yellow page directory under "Tools—Electric" or call: **1-800-544-6986** or visit **www.blackanddecker.com**

Full Two-Year Home Use Warranty

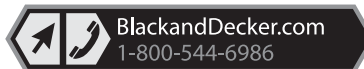
Black & Decker (U.S.) Inc. warrants this product for two years against any defects in material or workmanship. The defective product will be replaced or repaired at no charge in either of two ways.

The first, which will result in exchanges only, is to return the product to the retailer from whom it was purchased (provided that the store is a participating retailer). Returns should be made within the time period of the retailer's policy for exchanges (usually 30 to 90 days after the sale). Proof of purchase may be required. Please check with the retailer for their specific return policy regarding returns that are beyond the time set for exchanges.

The second option is to take or send the product (prepaid) to a Black & Decker owned or authorized Service Center for repair or replacement at our option. Proof of purchase may be required. Black & Decker owned and authorized Service Centers are listed under "Tools-Electric" in the yellow pages of the phone directory and on our website www.blackanddecker.com.

This warranty does not apply to accessories. This warranty gives you specific legal rights and you may have other rights which vary from state to state or province to province. Should you have any questions, contact the manager of your nearest Black & Decker Service Center. This product is not intended for commercial use.

FREE WARNING LABEL REPLACEMENT: If your warning labels become illegible or are missing, call 1-800-544-6986 for a free replacement.



Imported by
Black & Decker (U.S.) Inc.,
701 E. Joppa Rd.
Towson, MD 21286 U.S.A.

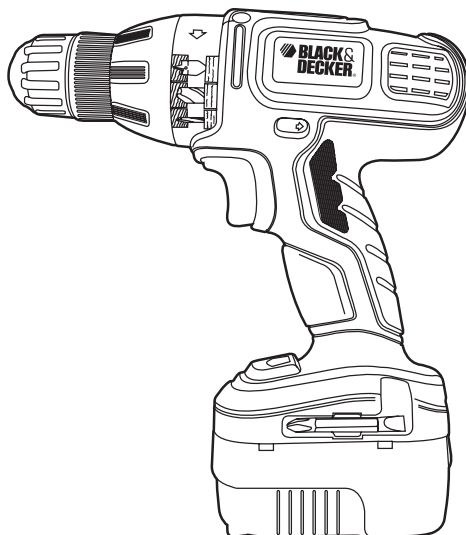
See 'Tools-
Electric'
- Yellow Pages -
for Service &
Sales



BLACK&DECKER®

MODE D'EMPLOI DE LA PERCEUSE SANS FIL

N° de catalogue SS12D, SS14, SS18



**Merci d'avoir choisi Black & Decker!
Consulter le site Web
www.BlackandDecker.com/NewOwner
pour enregistrer votre nouveau produit.**

**À LIRE AVANT DE RETOURNER CE PRODUIT
POUR QUELQUE RAISON QUE CE SOIT :**

Si des questions ou des problèmes surgissent après l'achat d'un produit Black & Decker,
consulter le site Web

[HTTP://WWW.BLACKANDDECKER.COM/INSTANTANSWERS](http://WWW.BLACKANDDECKER.COM/INSTANTANSWERS)

pour obtenir des réponses instantanément 24 heures par jour.

Si la réponse est introuvable ou en l'absence d'accès à Internet, composer le
1-800-544-6986 de 8 h à 17 h HNE, du lundi au vendredi, pour parler avec un agent.

Prière d'avoir le numéro de catalogue sous la main lors de l'appel.

CONSERVER CE MANUEL POUR UN USAGE ULTÉRIEUR.

Avertissements de sécurité généraux pour les outils électriques

⚠ AVERTISSEMENT! Lire tous les avertissements de sécurité et toutes les directives. Le non-respect des avertissements et des directives pourrait se solder par un choc électrique, un incendie et/ou une blessure grave.

Conserver tous les avertissements et toutes les directives pour un usage ultérieur.

Le terme «outil électrique» cité dans les avertissements se rapporte à votre outil électrique à alimentation sur secteur (avec fil) ou par piles (sans fil).

1) Sécurité du lieu de travail

- a) **Tenir la zone de travail propre et bien éclairée.** *Les endroits sombres sont souvent des causes d'accidents.*
- b) **Ne pas faire fonctionner d'outils électriques dans un milieu déflagrant, soit en présence de liquides inflammables, de gaz ou de poussière.** *Les outils électriques produisent des étincelles qui peuvent enflammer la poussière ou les vapeurs.*
- c) **Éloigner les enfants et les curieux au moment d'utiliser un outil électrique.** *Une distraction pourrait vous en faire perdre la maîtrise.*

2) Sécurité en matière d'électricité

- a) **Les fiches des outils électriques doivent correspondre à la prise. Ne jamais modifier la fiche en aucune façon.** *Ne jamais utiliser de fiche d'adaptation avec un outil électrique mis à la terre. Le risque de choc électrique sera réduit par l'utilisation de fiches non modifiées correspondant à la prise.*
- b) **Éviter tout contact physique avec des surfaces mises à la terre comme des tuyaux, des radiateurs, des cuisinières et des réfrigérateurs.** *Le risque de choc électrique est plus élevé si votre corps est mis à la terre.*
- c) **Ne pas exposer les outils électriques à la pluie ou à d'autres conditions où il pourrait être mouillé.** *La pénétration de l'eau dans un outil électrique augmente le risque de choc électrique.*
- d) **Ne pas utiliser abusivement le cordon d'alimentation. Ne jamais utiliser le cordon pour transporter, tirer ou débrancher un outil électrique. Tenir le cordon éloigné de la chaleur, de l'huile, des bords tranchants ou des pièces mobiles.** *Les cordons endommagés ou emmêlés augmentent les risques de choc électrique.*
- e) **Pour l'utilisation d'un outil électrique à l'extérieur, se servir d'une rallonge convenant à une telle utilisation.** *L'utilisation d'une rallonge conçue pour l'extérieur réduit les risques de choc électrique.*
- f) **S'il est impossible d'éviter l'utilisation d'un outil électrique dans un endroit humide, brancher l'outil dans une prise ou sur un circuit d'alimentation dotés d'un disjoncteur de fuite à la terre (GFCI).** *L'utilisation de ce type de disjoncteur réduit les risques de choc électrique.*

3) Sécurité personnelle

- a) **Être vigilant, surveiller le travail effectué et faire preuve de jugement lorsqu'un outil électrique est utilisé. Ne pas utiliser d'outil électrique en cas de fatigue ou sous l'influence de drogues, d'alcool ou de médicaments.** *Un simple moment d'inattention en utilisant un outil électrique peut entraîner des blessures corporelles graves.*
- b) **Utiliser des équipements de protection individuelle. Toujours porter une protection oculaire.** *L'utilisation d'équipements de protection comme un masque antipoussière, des chaussures antidérapantes, un casque de sécurité ou des protecteurs auditifs lorsque la situation le requiert réduira les risques de blessures corporelles.*
- c) **Empêcher les démarrages intempestifs. S'assurer que l'interrupteur se trouve à la position d'arrêt avant de relier l'outil à une source d'alimentation et/ou d'insérer un bloc-piles, de ramasser ou de transporter l'outil.** *Transporter un outil électrique alors que le doigt repose sur l'interrupteur ou brancher un outil électrique dont l'interrupteur est à la position de marche risque de provoquer un accident.*
- d) **Retirer toute clé de réglage ou clé standard avant de démarrer l'outil.** *Une clé standard ou une clé de réglage attachée à une partie pivotante peut causer des blessures.*
- e) **Ne pas trop tendre les bras. Conserver son équilibre en tout temps.** *Cela permet de mieux maîtriser l'outil électrique dans les situations imprévues.*

- f) **S'habiller de manière appropriée. Ne pas porter de vêtements amples ni de bijoux. Garder les cheveux, les vêtements et les gants à l'écart des pièces mobiles.** *Les vêtements amples, les bijoux ou les cheveux longs risquent de rester coincés dans les pièces mobiles.*
- g) **Si des composants sont fournis pour le raccordement de dispositifs de dépoussiérage et de ramassage, s'assurer que ceux-ci sont bien raccordés et utilisés.** *L'utilisation d'un dispositif de dépoussiérage peut réduire les dangers engendrés par les poussières.*
- 4) Utilisation et entretien d'un outil électrique**
- a) **Ne pas forcer un outil électrique. Utiliser l'outil électrique approprié à l'application.** *L'outil électrique approprié effectuera un meilleur travail, de façon plus sûre et à la vitesse pour laquelle il a été conçu.*
- b) **Ne pas utiliser un outil électrique dont l'interrupteur est défectueux.** *Tout outil électrique dont l'interrupteur est défectueux est dangereux et doit être réparé.*
- c) **Débrancher la fiche du secteur ou le bloc-piles de l'outil électrique avant de faire tout réglage ou changement d'accessoire, ou avant de ranger l'outil électrique.** *Ces mesures préventives réduisent les risques de démarrage accidentel de l'outil électrique.*
- d) **Ranger les outils électriques hors de la portée des enfants, et ne permettre à aucune personne n'étant pas familière avec un outil électrique (ou son manuel d'instruction) d'utiliser ce dernier.** *Les outils électriques deviennent dangereux entre les mains d'utilisateurs inexpérimentés.*
- e) **Entretien des outils électriques. Vérifier les pièces mobiles pour s'assurer qu'elles sont bien alignées et tournent librement, qu'elles sont en bon état et ne sont affectées par aucun trouble susceptible de nuire au bon fonctionnement de l'outil électrique. En cas de dommage, faire réparer l'outil électrique avant toute nouvelle utilisation.** *Beaucoup d'accidents sont causés par des outils électriques mal entretenus.*
- f) **S'assurer que les outils de coupe sont aiguisés et propres.** *Les outils de coupe bien entretenus et affûtés sont moins susceptibles de se coincer et sont plus faciles à contrôler.*
- g) **Utiliser l'outil électrique, les accessoires, les forets, etc. conformément aux présentes directives en tenant compte des conditions de travail et du travail à effectuer.** *L'utilisation d'un outil électrique pour toute opération autre que celle pour laquelle il a été conçu est dangereuse.*
- 5) Utilisation et entretien du bloc-piles**
- a) **Ne recharger l'outil qu'au moyen du chargeur précisé par le fabricant.** *L'utilisation d'un chargeur qui convient à un type de bloc-piles risque de provoquer un incendie s'il est utilisé avec un autre type de bloc-piles.*
- b) **Utiliser les outils électriques uniquement avec les blocs-piles conçus à cet effet.** *L'utilisation de tout autre bloc-piles risque de causer des blessures ou un incendie.*
- c) **Lorsque le bloc-piles n'est pas utilisé, le tenir éloigné des objets métalliques, notamment des trombones, de la monnaie, des clés, des clous, des vis, etc., qui peuvent établir une connexion entre les deux bornes.** *Le court-circuit des bornes du bloc-piles risque de provoquer des étincelles, des brûlures ou un incendie.*
- d) **En cas d'utilisation abusive, le liquide peut gicler hors du bloc-piles, éviter tout contact. Si un contact accidentel se produit, laver à grande eau. Si le liquide entre en contact avec les yeux, obtenir des soins médicaux.** *Le liquide qui gicle hors du bloc-piles peut provoquer des irritations ou des brûlures.*
- 6) Réparation**
- a) **Faire réparer l'outil électrique par un réparateur professionnel en n'utilisant que des pièces de rechange identiques.** *Cela permettra de maintenir une utilisation sécuritaire de l'outil électrique.*

RÈGLES DE SÉCURITÉ SPÉCIFIQUES

- **Porter des protecteurs auditifs si une perceuse à percussion est utilisée.** Une exposition au bruit peut entraîner une perte auditive.
- **Utiliser les poignées auxiliaires fournies avec l'outil.** Une perte de maîtrise de l'outil peut entraîner des blessures corporelles.
- **Saisir l'outil électrique par ses surfaces de prises isolées lorsque l'outil peut entrer en contact avec des fils cachés ou son cordon.** En cas de contact avec un fil sous tension, les pièces métalliques de l'outil seront sous tension et l'utilisateur subira des secousses électriques.
- **Lorsqu'on est installé sur une échelle ou un échafaudage pour travailler, on doit déposer l'outil sur le côté lorsqu'on ne s'en sert plus.** Bien que certains outils munis d'un gros bloc-piles puissent être placés à la verticale, dans cette position, ils peuvent facilement être renversés.
- **Utiliser des brides de fixation ou un autre dispositif de fixation permettant de fixer solidement et de soutenir la pièce sur une plateforme stable.** Tenir la pièce avec la main ou contre son corps la rend instable et risque de provoquer une perte de maîtrise de l'outil.
- **Tenir les cheveux, les vêtements et les gants loin des événements.** En effet, les événements cachent souvent des pièces mobiles qui risquent de happer ces articles.
- **Tenir fermement l'outil à deux mains.** Utiliser la poignée auxiliaire si l'outil en est muni. Sinon, saisir l'outil par le bas du bloc-piles. Une perte de maîtrise de l'outil peut entraîner des blessures.

⚠ **AVERTISSEMENT : certains outils électriques, tels que les sableuses, les scies, les meules, les perceuses ou certains autres outils de construction, peuvent produire de la poussière contenant des produits chimiques reconnus par l'État de la Californie comme étant susceptibles d'entraîner le cancer, des malformations congénitales ou pouvant être nocifs pour le système reproductif. Parmi ces produits chimiques, on retrouve :**

- le plomb dans les peintures à base de plomb,
- la silice cristalline dans les briques et le ciment et autres produits de maçonnerie,
- l'arsenic et le chrome dans le bois de sciage ayant subi un traitement chimique.

Le risque associé à de telles expositions varie selon la fréquence avec laquelle on effectue ces travaux. Pour réduire l'exposition à de tels produits, il faut travailler dans un endroit bien aéré et utiliser le matériel de sécurité approprié, tel un masque anti-poussières spécialement conçu pour filtrer les particules microscopiques.

- **Éviter tout contact prolongé avec la poussière soulevée par cet outil ou autres outils électriques. Porter des vêtements de protection et nettoyer les parties exposées du corps avec de l'eau savonneuse.** S'assurer de bien se protéger afin d'éviter d'absorber par la bouche, les yeux ou la peau des produits chimiques nocifs.

⚠ **AVERTISSEMENT : Cet outil peut produire et répandre de la poussière susceptible de causer des dommages sérieux et permanents au système respiratoire.** Toujours utiliser un appareil respiratoire anti-poussières approuvé par le NIOSH ou l'OSHA. Diriger les particules dans le sens opposé du visage et du corps.

⚠ **AVERTISSEMENT : TOUJOURS porter des lunettes de sécurité. Les lunettes de vue ne constituent PAS des lunettes de sécurité. Utiliser également un masque facial ou anti-poussière si l'opération de découpe génère de la poussière. TOUJOURS PORTER UN ÉQUIPEMENT DE PROTECTION HOMOLOGUÉ :**

- *protection oculaire conforme à la norme ANSI Z87.1 (CAN/CSA Z94.3);*
- *protection auditive ANSI S12.6 (S3.19);*
- *protection des voies respiratoires conformes aux normes NIOSH/OSHA/MSHA.*

LIGNES DIRECTRICES EN MATIÈRE DE SÉCURITÉ - DÉFINITIONS

Il est important que vous lisiez et compreniez ce mode d'emploi. Les informations qu'il contient concernent VOTRE SÉCURITÉ et visent à ÉVITER TOUT PROBLÈME. Les symboles ci-dessous servent à vous aider à reconnaître cette information.

⚠ DANGER : Indique une situation dangereuse imminente qui, si elle n'est pas évitée, causera la mort ou des graves blessures.

⚠ AVERTISSEMENT : Indique une situation potentiellement dangereuse qui, si elle n'est pas évitée, pourrait causer la mort ou de graves blessures.

⚠ MISE EN GARDE : Indique une situation potentiellement dangereuse qui, si elle n'est pas évitée, pourrait causer des blessures mineures ou modérées.

MISE EN GARDE : Utilisé sans le symbole d'alerte à la sécurité, indique une situation potentiellement dangereuse qui, si elle n'est pas évitée, peut résulter en des dommages à la propriété.

SYMBOLES

L'étiquette de l'outil peut comporter les symboles suivants.

Vvolts

Hzhertz

minminutes

====courant continu

☐Construction de classe II

⚠symbole d'avertissement

Aampères

Wwatts

~courant alternatif

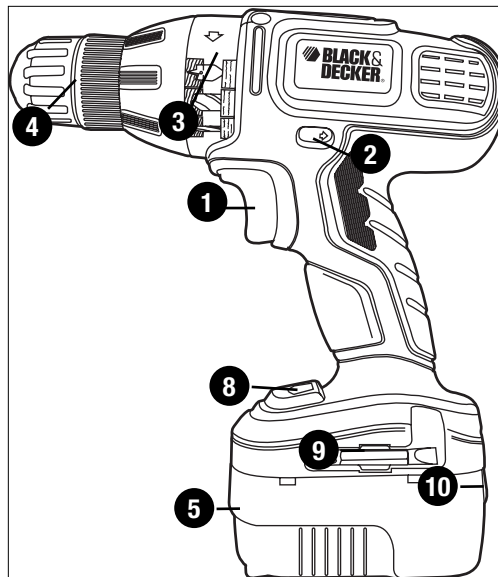
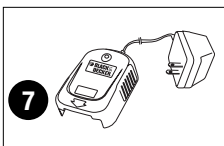
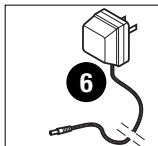
n_osous vide

⊖borne de mise à la minute

.../mintours à la minute

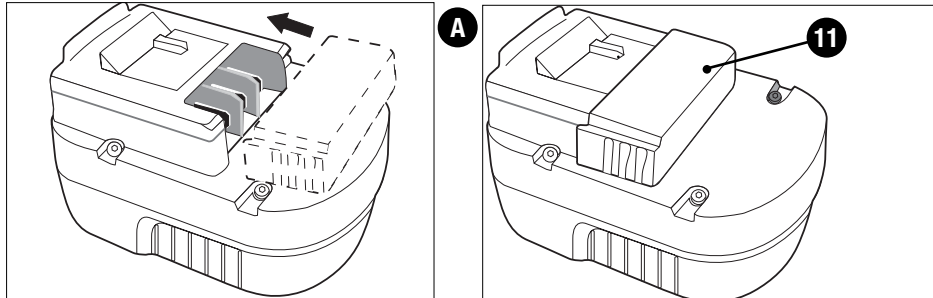
DESCRIPTION FONCTIONNELLE

1. Détente à vitesse variable
2. Dispositif de glissement avant/arrière
3. Sélecteur d'optimisation du rendement (embrayage)
4. Mandrin
5. Bloc-piles
6. Chargeur à fiche
7. Chargeur cuvette
8. Indicateur de niveau de charge
9. Porte-embout de vissage
10. Bouton de dégagement du bloc-piles



INFORMATION CONCERNANT LE CAPUCHON DU BLOC-PILE (FIGURE A)

Un capuchon (8) est fourni avec le bloc-pile en vue d'être utilisé chaque fois qu'on retire ce dernier de l'outil ou du chargeur en vue de le ranger ou de le transporter; enlever le capuchon avant de remettre le bloc-pile dans le chargeur ou dans l'outil.



⚠ AVERTISSEMENT : S'assurer, au moment de ranger ou de transporter un bloc-pile ou une pile, qu'aucun objet métallique n'entre en contact avec leurs bornes à découvert de celui-ci. Par exemple, il faut éviter de placer un bloc-pile ou une pile sans capuchon dans un tablier, une poche, une boîte à outils ou un tiroir (etc.) contenant des objets tels que des clous, des vis ou des clés, car tout contact entre les bornes à découvert et un objet métallique comme une clé, une pièce de monnaie, un outil à main, etc. pourrait causer un incendie. En effet, les règlements américains Hazardous Material Regulations (HMR) du US Department of Transportation interdisent le transport d'un bloc-pile ou d'une pile dans tout moyen de transport commercial ou aéronef (que ce soit dans une valise ou le bagage de cabine) SAUF s'ils sont bien protégés contre les courts-circuits. On doit donc s'assurer, lorsqu'on transporte un bloc-pile ou une pile séparément, de bien protéger et isoler les bornes contre tout matériau qui risque d'entrer en contact avec eux et de causer un court-circuit.

⚠ DIRECTIVES ET CONSIGNES DE SÉCURITÉ CONCERNANT LE CHARGEMENT

1. Le présent guide comprend d'importantes directives, dont un mode d'emploi et des consignes de sécurité.
2. Avant d'utiliser le chargeur, lire toutes les directives et les étiquettes de mise en garde apposées sur (1) le chargeur, (2) la pile et (3) le produit utilisant la pile.
3. **⚠ MISE EN GARDE** : afin de réduire les risques de blessure, ne charger que des blocs-piles Black & Decker, car les autres peuvent éclater et entraîner des blessures ou des dommages matériels.
4. Ne pas exposer le chargeur à la pluie ou à la neige.
5. L'utilisation d'un accessoire n'étant ni recommandé ni vendu par Black & Decker peut entraîner des risques d'incendie, de choc électrique ou de blessure.
6. Afin de réduire les risques de dommage à la fiche ou au cordon électrique, débrancher le chargeur en saisissant la fiche, non le cordon.
7. S'assurer que le cordon est placé de manière à éviter qu'il ne subisse des dommages ou des contraintes ou que les personnes s'y prennent les pieds et trébuchent.
8. Ne pas utiliser de rallonge à moins que cela ne soit absolument nécessaire, car l'usage d'une rallonge ayant une puissance inadéquate pourrait causer des risques d'incendie, de choc électrique ou d'électrocution.
 - a) Bien qu'on puisse utiliser un cordon bifilaire avec une rallonge bifilaire ou trifilaire, on ne doit utiliser qu'une rallonge à cordon; on recommande que celle-ci soit approuvée par l'organisme américain Underwriters Laboratories (UL). Lorsqu'on utilise un outil électrique à l'extérieur, on ne doit utiliser que des rallonges conçues pour cet usage, comme celles de type W-A ou W. Toute rallonge conçue pour un usage extérieur peut aussi être employée à l'intérieur.
 - b) Afin d'éviter une perte de puissance ou une surchauffe et d'assurer la sécurité de l'utilisateur, la rallonge doit être de calibre AWG approprié. Plus le calibre est petit, plus la capacité est grande; autrement dit, une rallonge de calibre 16 est plus

puissante qu'une rallonge de calibre 18. Lorsqu'on utilise plusieurs rallonges pour obtenir la longueur voulue, s'assurer que chacune d'elles présente les valeurs minimales requises.

**Tableau des calibres de fils minimums (AWG) pour les rallonges
Valeur nominale de la plaque signalétique A – 0 – 10,0**

Longueur de rallonge totale (pi)	0 à 25 (0 à 7,6 m)	26 à 50 (7,6 à 15,2 m)	51 à 100 (15,2 à 30,4 m)	101 à 150 (30,4 à 45,7 m)
Calibre du fil	18	16	16	14

9. Utiliser seulement le chargeur fourni pour charger votre batterie. L'utilisation de tout autre chargeur risque d'endommager la batterie ou de créer une condition dangereuse.
10. N'utiliser qu'un seul chargeur durant le chargement.
11. Ne pas tenter d'ouvrir le chargeur. Aucune pièce à l'intérieur ne peut être réparée par le client. Retourner le produit à tout centre de réparation Black & Decker autorisé.
12. N'INCINÉREZ PAS le bloc de batteries même s'il est sérieusement endommagé ou complètement usé. Les piles peuvent exploser dans un feu.
13. Les cellules peuvent subir une fuite légère par suite d'un usage extrême, du chargement ou d'une exposition à certaines températures; cela n'indique pas un problème. Cependant, si le scellant externe est percé et le liquide entre en contact avec la peau, on doit :
 - a. se laver rapidement la partie du corps touchée avec de l'eau savonneuse;
 - b. neutraliser l'effet au moyen d'un acide doux tel que du jus de citron ou du vinaigre;
 - c. si les yeux sont touchés, les rincer à fond avec de l'eau propre pendant au moins 10 minutes et consulter immédiatement un médecin.

REMARQUE AUX FINS MÉDICALES : ce liquide contient une solution composée de 25 à 35 % d'hydroxyde de potassium.

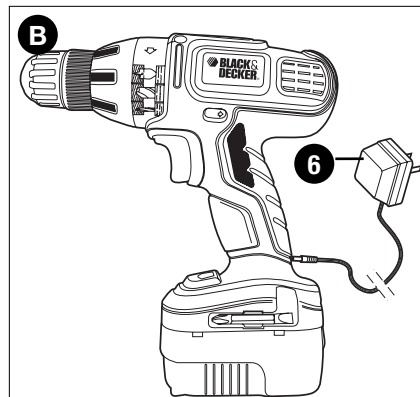
CHARGEMENT DU BLOC-PILES

La perceuse utilise un chargeur à fiche ou un chargeur cuvette. Les deux modèles sont décrits ci-dessous. Respecter les directives pour le type de chargeur utilisé. Ils sont conçus pour une alimentation standard à 120 V c.a., 60 Hz. Ne pas utiliser un courant continu ou toute autre tension.

LES BLOC-PILES NE SONT PAS COMPLÈTEMENT CHARGÉS À LEUR SORTIE DE L'USINE. AVANT DE LES CHARGER, LIRE ATTENTIVEMENT TOUTES LES DIRECTIVES DE SÉCURITÉ.

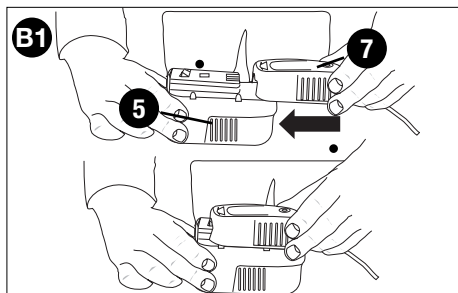
DIRECTIVES POUR LES CHARGEURS À FICHE :

1. Insérer le bloc-piles dans l'outil jusqu'à ce qu'il s'enclenche en position.
2. Insérer la fiche du chargeur (6) dans le connecteur comme montré à la **figure B**.
3. Brancher le chargeur dans toute prise électrique standard de 120 volts à 60 Hz puis laisser le bloc-piles se charger pendant **12 heures** la première fois. Après la première charge, dans le cas d'une utilisation normale, le bloc-piles devrait se charger entièrement en **6 à 12 heures**.
4. ⚠ **AVERTISSEMENT : Risque d'incendie**
Débrancher d'abord le chargeur de la prise secteur puis dégager l'outil du chargeur. Ne pas utiliser l'outil lorsqu'il est branché au chargeur.



DIRECTIVES POUR LES CHARGEURS CUVETTES :

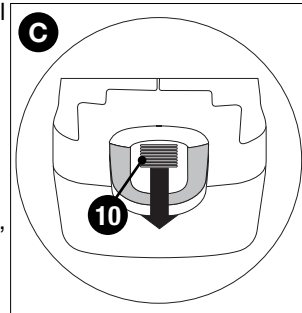
1. Brancher le chargeur dans une prise électrique standard de 120 volts, 60 Hz.
2. Glisser le chargeur (7) sur le bloc-piles (5) comme montré à la **figure B1** puis laissez le bloc-piles se charger durant **12 heures** pour la première fois. Après la première charge, dans le cas d'une utilisation normale, le bloc-piles devrait se recharger entièrement entre **6 et 12 heures**.
3. Débrancher le chargeur, puis enlever le bloc-piles. Insérer le bloc-piles dans l'outil jusqu'à ce qu'il s'enclenche en position.



REMARQUE : pour retirer le bloc-piles de la perceuse, enfoncer le bouton (10) de dégagement au dos du bloc-piles (**figure C**), puis le tirer hors de l'outil.

NOTES IMPORTANTES RELATIVES AU CHARGEMENT

1. À la suite d'une utilisation normale, le bloc-pile devrait prendre de **6 à 12 heures** pour se charger complètement, et jusqu'à **12 heures** s'il est complètement déchargé. Le bloc-pile n'est pas chargé au moment de quitter l'usine; on doit donc le charger pendant au moins **12 heures** avant de l'utiliser.
2. Afin d'éviter d'endommager le bloc-pile, il est important de **NE PAS** le charger à des températures inférieures à 4.5 °C (40 °F) ou supérieures à 40.5 °C (105 °F). Pour augmenter la durée de vie du bloc-pile et optimiser son rendement, le charger à une température d'environ 24°C (75 °F).
3. Le chargeur peut émettre un bourdonnement ou devenir chaud au toucher durant le chargement. Cela est normal et n'indique pas la présence d'un problème.
4. Si le bloc-pile ne se charge pas normalement, il faut : (1) vérifier l'alimentation de la prise en y enfichant une lampe ou un appareil, (2) s'assurer que la prise n'est pas raccordée à un interrupteur qui coupe le courant lorsqu'on éteint les lumières, (3) placer le chargeur et le bloc-pile dans un endroit où la température ambiante est environ 4.5 °C (40 °F) à 40.5 °C (105 °F) ou, si le problème persiste, (4) retourner le bloc-pile et le chargeur au centre de service Black & Decker le plus près (les centres de service autorisés sont répertoriés dans les pages jaunes sous la rubrique «Outils - électriques»).
5. Le bloc-pile doit être rechargé lorsqu'il ne produit pas suffisamment de courant pour permettre à l'utilisateur de travailler normalement. On doit **CESSE**r d'utiliser la perceuse dans de telles conditions.
6. On peut prolonger la durée de vie du bloc-pile en évitant de le laisser dans le chargeur pendant de longues périodes (plus de 30 jours lorsqu'on ne l'utilise pas). Bien que la surcharge du bloc-pile ne soit pas un problème au niveau de la sécurité, cette pratique peut réduire de façon appréciable sa durée de vie.
7. Lorsqu'on insère le bloc-pile dans le chargeur, le témoin rouge s'allume pour indiquer (chargeurs cuvettes seulement) que le contact entre le bloc-pile et le chargeur s'est établi; celui-ci reste allumé tant que le bloc-pile est dans le chargeur et que ce dernier est enfoncé dans une prise sous tension. Le témoin **NE CLIGNOTERA PAS**, ne s'éteindra pas et ne changera pas de couleur une fois la période de charge terminée.
8. Le bloc-pile atteindra son rendement optimal après avoir terminé cinq cycles de charge et de décharge au cours d'une utilisation normale. Il n'est pas nécessaire de décharger complètement le bloc-pile avant de le recharger. Le meilleur moyen de charger et de décharger le bloc-pile est de l'utiliser normalement.



AVERTISSEMENTS DE SÉCURITÉ ET DIRECTIVES : PERCEUSES

1. Tenir fermement la perceuse en saisissant la poignée d'une main et en plaçant l'autre main sur la partie inférieure du bloc-piles.
2. Lorsqu'on utilise un mandrin sans clé, on doit le serrer fermement à la main.
⚠AVERTISSEMENT : La perceuse peut caler (à la suite d'une surcharge ou d'un mauvais usage) et causer un mouvement de torsion; on doit toujours prévoir un tel

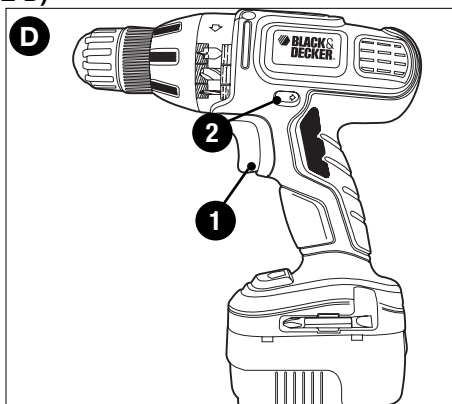
incident. Saisir la perceuse fermement afin de maîtriser la torsion de cette dernière et d'éviter de perdre la maîtrise, ce qui pourrait entraîner des blessures. Si la perceuse cale, relâcher immédiatement la gâchette et en déterminer la cause avant de redémarrer l'outil.

DIRECTIVES D'UTILISATION

DÉTENTE ET BOUTON INVERSEUR (FIGURE D)

- La perceuse est mise en positions de MARCHE et d'ARRÊT en tirant et en relâchant la détente (1). Plus on enfonce la détente, plus la vitesse de la perceuse augmente.
- Un bouton de commande marche avant/marche arrière (2) détermine le sens de l'outil et sert aussi de bouton de verrouillage.
- Pour choisir une rotation en marche avant, relâcher la détente et abaisser le bouton de commande marche avant/marche arrière vers la gauche.
- Pour choisir la marche arrière, abaisser le bouton de commande marche avant/marche arrière en direction opposée.

REMARQUE : la position du centre du bouton de commande verrouille l'outil en position d'arrêt. Toujours relâcher la détente avant de changer la position du bouton de commande.



CORRECTEUR DE COUPLE (TECHNOLOGIE SMART SELECT) (FIGURE E)

L'outil est muni d'une bague (3) qui illustre diverses applications de perçage et de vissage. Ils sont utilisés pour sélectionner le mode de fonctionnement et pour régler le couple de serrage des vis. Les grosses vis et les pièces en matière dure exigent un couple de serrage plus élevé que les petites vis et les pièces de matières plus souples. Lorsque la bague (3) du sélecteur d'optimisation du rendement pivote sur une des images illustrées dans le tableau ci-dessous, l'outil passe alors au couple ou au régime recommandé pour l'application.

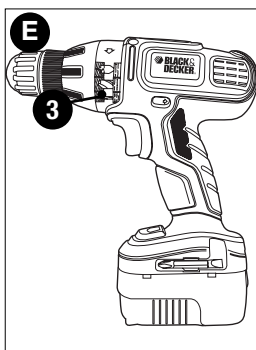


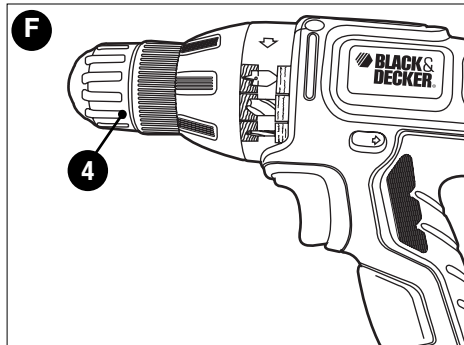
IMAGE FIGURANT SUR LE PRODUIT	APPLICATION	COUPLE OU RÉGIME AUTOMATIQUEMENT FOURNI PAR LA PERCEUSE
	Vissage : vis de 6,35 mm à 25,4 mm (1/4 à 1 po)	FAIBLE COUPLE
	Vissage : vis de 25,4 mm (1 po) ou plus	COUPLE MOYEN
	Perçage dans le métal : foret de 12,7 mm (1/2 po) ou plus	COUPLE ÉLEVÉ
	Perçage dans le bois : foret à trois pointes de 25,4 mm (1 po) ou plus ou scie cloche	COUPLE ÉLEVÉ MAXIMAL
	CHANGEMENT	Transition du COUPLE ÉLEVÉ AU RÉGIME ÉLEVÉ
	Perçage dans le bois : foret à trois pointes de 6,35 mm à 25,4 mm (1/4 à 1 po)	RÉGIME ÉLEVÉ
	Perçage dans le bois ou le plastique : foret de 12,7 mm (1/2 po) ou plus	RÉGIME ÉLEVÉ
	Perçage dans tout matériau : foret de 12,7 mm (1/2 po) maximum	RÉGIME ÉLEVÉ

MANDRIN SANS CLÉ (FIGURE F)

Pour insérer une mèche ou autre accessoire :

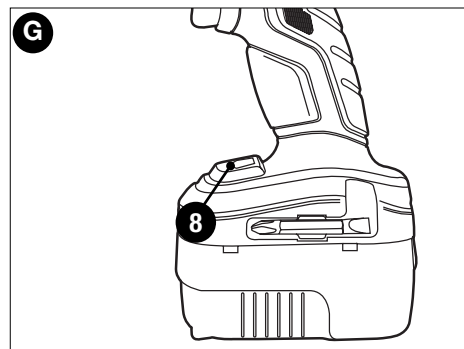
1. Saisir la partie inférieure du mandrin (4) avec une main et utiliser l'autre pour faire tourner la partie supérieure du mandrin en sens antihoraire, si vous regardez la perceuse par le mandrin.
2. Insérer complètement la mèche ou tout autre accessoire dans le mandrin et resserrer fermement en retenant la partie inférieure du mandrin et en faisant tourner sa partie supérieure en sens horaire, si vous regardez la perceuse, par le mandrin.

⚠ AVERTISSEMENT : ne pas essayer de resserrer les mèches (ou tout autre accessoire) en saisissant la partie avant du mandrin et en mettant l'outil en marche. Lors du changement d'accessoires, il y a risque d'endommager le mandrin et d'entraîner des blessures corporelles.

**Indicateur de niveau de charge (figure G)**

Un indicateur de niveau de charge du bloc-piles (8) est intégré à la perceuse.

- Pour afficher l'état de la charge, appuyer sur le bouton noir au bas de l'indicateur.
- Lorsque le bloc-piles inséré est complètement chargé, les trois voyants s'illuminent. Au fur et à mesure de l'utilisation du bloc-piles, les voyants s'éteignent un à la fois.

**VISSAGE**

Pour visser des attaches, pousser le bouton de marche arrière vers la gauche. Utiliser la marche arrière (le bouton poussé à droite) pour retirer les attaches. Lors de la permutation entre la marche avant et la marche arrière, ou vice versa, s'assurer de relâcher d'abord la détente.

RANGEMENT INTÉGRÉ DES MÈCHES

Il existe une rainure pour le rangement des mèches juste au-dessus du bloc-piles.

Perçage

- N'utiliser que des forets bien affûtés.
- Veiller à ce que la pièce à percer soit solidement retenue ou fixée en place, selon les mesures de sécurité.
- Porter l'équipement de sécurité approprié et requis, selon les mesures de sécurité.
- Rendre la zone de travail sûre et en assurer l'entretien, selon les mesures de sécurité.
- Actionner la perceuse à basses vitesses en exerçant une pression minimale jusqu'à ce que le trou soit suffisamment percé afin d'empêcher le glissement du foret hors du trou.
- Toujours exercer la pression en ligne directe avec le foret. N'user que de la force nécessaire pour que le foret continue de percer; éviter de trop forcer, ce qui pourrait faire étouffer le moteur ou dévier le foret.
- **Bien saisir la perceuse afin de maîtriser son effet de torsion.**
- **NE PAS ACTIONNER À PLUSIEURS REPRISSES LA DÉTENTE D'UNE PERCEUSE BLOQUÉE DANS LE BUT DE LA DÉCOINCER AU RISQUE DE L'ENDOMMAGER.**
- Réduire la pression exercée sur l'outil et le foret vers la fin de la course afin d'éviter que le moteur ne cale en traversant le matériau.
- Laisser le moteur en marche lorsqu'on retire le foret du trou afin d'en prévenir le coincement.
- Utiliser de l'huile de coupe pour percer dans les métaux, sauf la fonte et le laiton qui se percent à sec. Les huiles de coupe les plus efficaces sont l'huile sulfurisée ou l'huile de lard; la graisse de bacon est parfois suffisante.

- Les forets hélicoïdaux à métal peuvent servir à percer le bois, mais il faut les retirer souvent du trou pour chasser les copeaux et rognures des goujures.

- **S'assurer que l'interrupteur met l'outil en marche et qu'il l'arrête.**

⚠ AVERTISSEMENT : Il est essentiel de bien soutenir la pièce à ouvrir et de saisir fermement la perceuse afin de prévenir la perte de maîtrise de l'outil qui pourrait occasionner de graves blessures. Pour obtenir de plus amples renseignements relatifs au bon fonctionnement de l'outil, composer le : **1 800 544-6986**.

ENTRETIEN

Nettoyer l'outil seulement à l'aide d'un savon doux et d'un linge humide. Ne laisser aucun liquide s'infiltrer dans l'outil et ne jamais immerger l'outil.

IMPORTANT : Pour assurer la SÉCURITÉ D'EMPLOI et la FIABILITÉ de l'outil, n'en confier la réparation, l'entretien et les rajustements qu'à un centre de service ou à un atelier d'entretien autorisé n'utilisant que des pièces de rechange identiques.

DÉPANNAGE

Problème

- L'appareil refuse de démarrer.

- Le bloc-piles ne se charge pas.

Cause possible

- Mauvaise installation du bloc-piles.
- Bloc-piles non chargée.
- Bloc-piles non insérée dans le chargeur.
- Chargeur non branché.
- Température ambiante trop chaude ou froide.

Solution possible

- Vérifier l'installation du bloc-piles.
- Vérifier les exigences de charge pour le bloc-piles.
- Insérer le bloc-piles dans le chargeur de sorte que le voyant DEL rouge apparaisse.
- Brancher le chargeur dans une prise qui fonctionne. Se reporter à la rubrique « Remarques importantes de chargement » pour plus de renseignements.
- Déplacer le chargeur et l'outil à une température ambiante de plus de 4.5 °C (40 °F) ou sous les 40.5 °C (105 °F).

Pour de l'aide avec l'outil, consulter notre site Web www.blackanddecker.com pour l'emplacement du centre de réparation le plus près ou communiquer avec l'assistance BLACK & DECKER au **1-800-544-6986**.

Accessoires

Les détaillants et le centre de service de la région vendent les accessoires recommandés pour l'outil. Pour trouver un accessoire, composer le **1 800 544-6986**.

⚠ AVERTISSEMENT : L'utilisation de tout accessoire non recommandé pour l'outil peut être dangereuse.

Sceau RBRC^{MC}

Le sceau RBRC^{MC} de la Rechargeable Battery Recycling Corporation apposé sur la pile au nickel-cadmium (ou le bloc-pile) indique que les coûts de recyclage de ce dernier à la fin de sa vie utile ont déjà été payés par Black & Decker. En certains endroits, la mise au rebut ou aux ordures municipales des piles au nickel-cadmium est illégale; le programme de «RBRC» constitue donc une solution des plus pratiques et écologiques.

La «RBRC», en collaboration avec Black & Decker et d'autres utilisateurs de piles, a mis sur pied des programmes aux États-Unis et au Canada dans le but de faciliter la collecte des piles déchargées. Black & Decker encourage ses utilisateurs à participer à son programme de protection de l'environnement et de conservation des ressources naturelles en retournant les piles usagées à un centre de service Black & Decker ou chez un dépositaire local afin qu'elles puissent être recyclées. On peut en outre se renseigner auprès d'un centre de recyclage local pour connaître d'autres sites les acceptant, ou composer le **1 800 8-228-8379** pour obtenir de l'information sur le recyclage de ces piles dans sa région.



Accessoires

Les détaillants et le centre de service de la région vendent les accessoires recommandés pour l'outil. Pour trouver un accessoire, composer le **1 800 544-6986**.

⚠ AVERTISSEMENT : L'utilisation de tout accessoire non recommandé pour l'outil peut être dangereuse.

Information sur les réparations

Tous les centres de réparation Black & Decker sont dotés de personnel qualifié en matière d'outillage électrique; ils sont donc en mesure d'offrir à leur clientèle un service efficace et fiable. Que ce soit pour un avis technique, une réparation ou des pièces de rechange authentiques installées en usine, communiquer avec l'établissement Black & Decker le plus près de chez vous. Pour trouver l'établissement de réparation de votre région, consulter le répertoire des Pages jaunes à la rubrique « Outils électriques » ou composer le numéro suivant : **1-800-544-6986** ou consulter le site

www.blackanddecker.com

Garantie complète de deux ans pour une utilisation domestique

Black & Decker (É.-U.) Inc. garantit ce produit pour une durée de deux ans contre tout défaut de matériau ou de fabrication. Le produit défectueux sera remplacé ou réparé sans frais de l'une des deux façons suivantes :

La première façon consiste en un simple échange chez le détaillant qui l'a vendu (pourvu qu'il s'agisse d'un détaillant participant). Tout retour doit se faire durant la période correspondant à la politique d'échange du détaillant (habituellement, de 30 à 90 jours après l'achat). Une preuve d'achat peut être requise. Vérifier auprès du détaillant pour connaître sa politique concernant les retours hors de la période définie pour les échanges.

La deuxième option est d'apporter ou d'envoyer le produit (transport payé d'avance) à un centre de réparation autorisé ou à un centre de réparation de Black & Decker pour faire réparer ou échanger le produit, à notre discrétion. Une preuve d'achat peut être requise. Les centres Black & Decker et les centres de service autorisés sont répertoriés dans les pages jaunes, sous la rubrique « Outils électriques ».

Cette garantie ne s'applique pas aux accessoires. Cette garantie vous accorde des droits légaux spécifiques et vous pourriez avoir d'autres droits qui varient d'un État ou d'une province à l'autre. Pour toute question, communiquer avec le directeur du centre de réparation Black & Decker le plus près de chez vous. Ce produit n'est pas destiné à un usage commercial.

REPLACEMENT GRATUIT DES ÉTIQUETTES D'AVERTISSEMENT : si les étiquettes d'avertissement deviennent illisibles ou sont manquantes, composer le **1-800-544-6986** pour en obtenir le remplacement gratuit.

Imported by / Importé par
Black & Decker Canada Inc.
100 Central Ave.
Brockville (Ontario) K6V 5W6

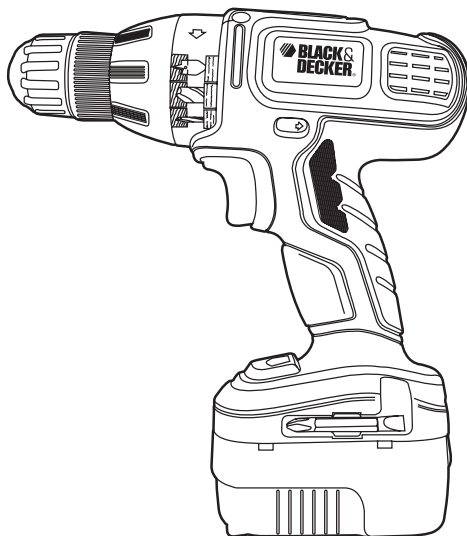
Voir la rubrique
"Outils électriques"
des Pages Jaunes
pour le service et les ventes.



BLACK&DECKER®

**MANUAL DE INSTRUCCIONES DEL TALADRO
INALÁMBRICO**

Catálogo N° SS12D, SS14, SS18



**Gracias por elegir Black & Decker!
Visite
www.BlackandDecker.com/NewOwner
para registrar su nuevo producto.**

**LEA EL MANUAL ANTES DE DEVOLVER
ESTE PRODUCTO POR CUALQUIER MOTIVO:**

Si tiene una consulta o algún inconveniente con su producto Black & Decker, visite
[HTTP://WWW.BLACKANDDECKER.COM/INSTANTANSWERS](http://WWW.BLACKANDDECKER.COM/INSTANTANSWERS)
para obtener respuestas instantáneas las 24 horas del día.

Si no encuentra la respuesta o no tiene acceso a Internet, llame al 1-800-544-6986 de
lunes a viernes de 8 a.m. a 5 p.m. hora del Este para hablar con un agente.
Cuando llame, tenga a mano el número de catálogo.

CONSERVE ESTE MANUAL PARA FUTURAS CONSULTAS.

Advertencias generales de seguridad para herramientas eléctricas

⚠ ADVERTENCIA: Lea todas las advertencias de seguridad e instrucciones. El incumplimiento de las advertencias e instrucciones puede provocar descargas eléctricas, incendios o lesiones graves.

Conserve todas las advertencias e instrucciones para futuras consultas.

El término “herramienta eléctrica” incluido en las advertencias hace referencia a las herramientas eléctricas operadas con corriente (con cable eléctrico) o a las herramientas eléctricas operadas con baterías (inalámbricas).

1) Seguridad en el área de trabajo

- a) **Mantenga el área de trabajo limpia y bien iluminada.** *Las áreas abarrotadas y oscuras propician accidentes.*
- b) **No opere herramientas eléctricas en atmósferas explosivas, como ambientes donde se encuentran líquidos, gases o polvo inflamables.** *Las herramientas eléctricas originan chispas que pueden encender el polvo o los vapores.*
- c) **Mantenga a los niños y espectadores alejados de la herramienta eléctrica en funcionamiento.** *Las distracciones pueden provocar la pérdida de control.*

2) Seguridad eléctrica

- a) **Los enchufes de la herramienta eléctrica deben adaptarse al tomacorriente. Nunca modifique el enchufe de ninguna manera. No utilice ningún enchufe adaptador con herramientas eléctricas con conexión a tierra.** *Los enchufes no modificados y que se adaptan a los tomacorrientes reducirán el riesgo de descarga eléctrica.*
- b) **Evite el contacto corporal con superficies puestas a tierra, como por ejemplo tuberías, radiadores, rangos y refrigeradores.** *Existe mayor riesgo de descarga eléctrica si su cuerpo está puesto a tierra.*
- c) **No exponga las herramientas eléctricas a la lluvia o a condiciones de humedad.** *Si ingresa agua a una herramienta eléctrica, aumentará el riesgo de descarga eléctrica.*
- d) **No maltrate al cable. Nunca utilice el cable para transportar, tirar o desenchufar la herramienta eléctrica. Mantenga el cable lejos del calor, aceite, bordes afilados o piezas móviles.** *Los cables dañados o enredados aumentan el riesgo de descarga eléctrica.*
- e) **Al operar una herramienta eléctrica en el exterior, utilice un cable prolongador adecuado para tal uso. Utilice un cable adecuado para uso en exteriores a fin de reducir el riesgo de descarga eléctrica.**
- f) **Si el uso de una herramienta eléctrica en un lugar húmedo es imposible de evitar, utilice un suministro protegido con un interruptor de circuito por falla a tierra (GFCI).** *El uso de un GFCI reduce el riesgo de descargas eléctricas.*

3) Seguridad personal

- a) **Permanezca alerta, controle lo que está haciendo y utilice el sentido común cuando emplee una herramienta eléctrica.** *No utilice una herramienta eléctrica si está cansado o bajo el efecto de drogas, alcohol o medicamentos. Un momento de descuido mientras se opera una herramienta eléctrica puede provocar lesiones personales graves.*
- b) **Utilice equipos de protección personal. Siempre utilice protección para los ojos.** *En las condiciones adecuadas, el uso de equipos de protección, como máscaras para polvo, calzado de seguridad antideslizante, cascos o protección auditiva, reducirá las lesiones personales.*
- c) **Evite el encendido por accidente. Asegúrese de que el interruptor esté en la posición de apagado antes de conectarlo a la fuente de energía o paquete de baterías, o antes de levantar o transportar la herramienta.** *Transportar herramientas eléctricas con el dedo apoyado en el interruptor o enchufar herramientas eléctricas con el interruptor en la posición de encendido puede propiciar accidentes.*
- d) **Retire las clavijas de ajuste o llaves de tuercas antes de encender la herramienta eléctrica.** *Una llave de tuercas o una clavija de ajuste que se deje conectada a una pieza giratoria de la herramienta eléctrica pueden provocar lesiones personales.*
- e) **No se estire. Conserve el equilibrio adecuado y manténgase parado**

correctamente en todo momento. Esto permite un mejor control de la herramienta eléctrica en situaciones inesperadas.

- f) **Use la vestimenta adecuada. No use ropas holgadas ni joyas. Mantenga el cabello, la ropa y los guantes alejados de las piezas en movimiento.** *Las ropas holgadas, las joyas o el cabello largo pueden quedar atrapados en las piezas en movimiento.*
 - g) **Si se suministran dispositivos para la conexión de accesorios con fines de recolección y extracción de polvo, asegúrese de que estén conectados y que se utilicen correctamente.** *El uso de dispositivos de recolección de polvo puede reducir los peligros relacionados con el polvo.*
- 4) Uso y mantenimiento de la herramienta eléctrica**
- a) **No fuerce la herramienta eléctrica. Utilice la herramienta eléctrica correcta para el trabajo que realizará.** *La herramienta eléctrica correcta hará el trabajo mejor y más seguro a la velocidad para la que fue diseñada.*
 - b) **No utilice la herramienta eléctrica si no puede encenderla o apagarla con el interruptor.** *Toda herramienta eléctrica que no puede ser controlada mediante el interruptor es peligrosa y debe ser reparada.*
 - c) **Desconecte el enchufe de la fuente de energía y/o el paquete de baterías de la herramienta eléctrica antes de realizar ajustes, cambiar accesorios o almacenar herramientas eléctricas.** *Estas medidas de seguridad preventivas reducen el riesgo de encender la herramienta eléctrica en forma accidental.*
 - d) **Guarde las herramientas eléctricas que no están en uso fuera del alcance de los niños y no permite que otras personas no familiarizadas con ella o con estas instrucciones operen la herramienta.** *Las herramientas eléctricas son peligrosas en las manos de usuarios no entrenados.*
 - e) **Mantenimiento de las herramientas eléctricas. Controle que no haya piezas móviles mal alineadas o trabadas, piezas rotas y toda otra situación que pueda afectar el funcionamiento de las herramientas eléctricas. Si encuentra daños, haga reparar la herramienta eléctrica antes de utilizarla.** *Se producen muchos accidentes a causa de las herramientas eléctricas que carecen de un mantenimiento adecuado.*
 - f) **Mantenga las herramientas de corte afiladas y limpias.** *Las herramientas de corte con mantenimiento adecuado, con los bordes de corte afilados son menos propensas a trabarse y son más fáciles de controlar.*
 - g) **Utilice la herramienta eléctrica, los accesorios y las brocas de la herramienta, etc. de acuerdo con estas instrucciones y teniendo en cuenta las condiciones de trabajo y el trabajo que debe realizarse.** *El uso de la herramienta eléctrica para operaciones diferentes de aquéllas para las que fue diseñada podría originar una situación peligrosa.*
- 5) Uso y mantenimiento de la herramienta con baterías**
- a) **Recargue solamente con el cargador especificado por el fabricante.** *Un cargador adecuado para un tipo de paquete de baterías puede originar riesgo de incendio si se utiliza con otro paquete de baterías.*
 - b) **Utilice herramientas eléctricas sólo con paquetes de baterías específicamente diseñados.** *El uso de cualquier otro paquete de baterías puede producir riesgo de incendio y lesiones.*
 - c) **Cuando no utilice el paquete de baterías, manténgalo lejos de otros objetos metálicos como sujetapapeles, monedas, llaves, clavos, tornillos u otros objetos metálicos pequeños que puedan realizar una conexión desde un terminal al otro.** *Los cortocircuitos en los terminales de la batería pueden provocar quemaduras o incendio.*
 - d) **En condiciones abusivas, el líquido puede ser expulsado de la batería. Evite su contacto. Si entra en contacto accidentalmente, enjuague con agua. Si el líquido entra en contacto con sus ojos, busque atención médica.** *El líquido expulsado de la batería puede provocar irritación o quemaduras.*
- 6) Mantenimiento**
- a) **Haga que una persona de reparaciones calificada realice el mantenimiento de su herramienta eléctrica y utilice piezas de repuesto idénticas solamente.** *Esto garantizará la seguridad de la herramienta eléctrica.*

NORMAS DE SEGURIDAD ESPECÍFICAS

- **Utilice protectores auditivos con los taladros de impacto.** La exposición al ruido puede ocasionar la pérdida de la audición.
- **Use los mangos auxiliares que se suministran con la herramienta.** La pérdida del control podría ocasionar lesiones personales.
- **Sujete la herramienta eléctrica por las superficies aislantes cuando realice una operación en que la herramienta pueda hacer contacto con cableados ocultos.** Al hacer contacto con un cable "vivo", las partes metálicas de la herramienta se vuelven "vivas" y pueden originar un choque al operador.
- **Cuando trabaje en una escalera o una plataforma asegúrese de dejar la herramienta de lado cuando no la use.** Algunas herramientas con baterías grandes se paran sobre su base, pero se pueden volcar fácilmente.
- **Utilice abrazaderas u otra forma práctica para asegurar y sostener la pieza de trabajo sobre una plataforma estable.** Sostener el trabajo con la mano o contra el cuerpo no brinda la estabilidad requerida y puede llevar a la pérdida del control.
- **Mantenga el cabello, la ropa y los guantes alejados de los orificios de ventilación.** Los orificios de ventilación suelen cubrir piezas móviles donde estos elementos se pueden enganchar.
- **Sostenga la herramienta firmemente con ambas manos.** Utilice el mango auxiliar, en caso de tenerlo. Si no tiene mango auxiliar, agarre la herramienta por la parte inferior de la batería. La pérdida del control podría ocasionar lesiones personales.
- ⚠ **ADVERTENCIA: parte del polvo producido por las herramientas eléctricas al lijar, aserrar, esmerilar, taladrar y realizar otras actividades de la construcción, contiene productos químicos reconocidos por el Estado de California como causantes de cáncer, defectos de nacimiento u otros problemas reproductivos. Algunos de estos productos químicos son:**
 - el plomo de las pinturas de base plomo,
 - la sílice cristalina de ladrillos, el cemento y otros productos de mampostería, y
 - el arsénico y el cromo de la madera con tratamiento químico.

El riesgo derivado de estas exposiciones varía según la frecuencia con la que se realice este tipo de trabajo. Para reducir la exposición a estos productos químicos: trabaje en áreas bien ventiladas y trabaje con equipos de seguridad aprobados, como las máscaras para polvo especialmente diseñadas para filtrar las partículas microscópicas.
- **Evite el contacto prolongado con el polvo proveniente del lijado, aserrado, amolado y taladrado eléctrico y otras actividades de construcción. Use vestimenta protectora y lave todas las áreas expuestas con agua y jabón.** De entrar polvo en sus ojos, boca, o que este permanezca sobre su piel puede promover la absorción de químicos dañinos.
- ⚠ **ADVERTENCIA: El uso de esta herramienta puede generar y/o dispersar el polvo, el cual puede ocasionar lesión respiratoria u otro tipo de lesión grave y permanente.** Utilice siempre protección respiratoria NIOSH/OSHA apropiada para la exposición al polvo. Dirija las partículas lejos de su cara o su cuerpo.
- ⚠ **AVERTISSEMENT : USE SIEMPRE LENTES DE SEGURIDAD. Los anteojos de uso diario NO son lentes de seguridad. Utilice también máscaras faciales o para polvo si el corte produce polvillo. UTILICE SIEMPRE EQUIPOS DE SEGURIDAD CERTIFICADOS:**
 - *Protección para los ojos según la norma ANSI Z87.1 (CAN/CSA Z94.3)*
 - *Protección auditiva según la norma ANSI S12.6 (S3.19)*
 - *Protección respiratoria según las normas NIOSH/OSHA/MSHA*

PAUTAS DE SEGURIDAD/DEFINICIONES

Es importante que lea y comprenda este manual. La información que contiene se relaciona con la protección de SU SEGURIDAD y la PREVENCIÓN DE PROBLEMAS. Los símbolos que siguen se utilizan para ayudarlo a reconocer esta información.

⚠ **PELIGRO:** indica una situación de peligro inminente que, si no se evita, provocará la muerte o lesiones graves.





⚠ **ADVERTENCIA:** indica una situación de peligro potencial que, si no se evita, provocará la muerte o lesiones graves.

⚠ **PRECAUCIÓN:** indica una situación de peligro potencial que, si no se evita, provocará lesiones leves o moderadas.

PRECAUCIÓN: utilizado sin el símbolo de alerta de seguridad indica una situación de peligro potencial que, si no se evita, puede provocar daños en la propiedad.

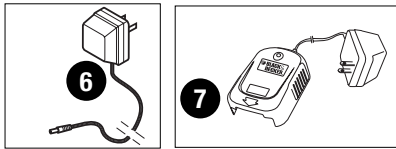
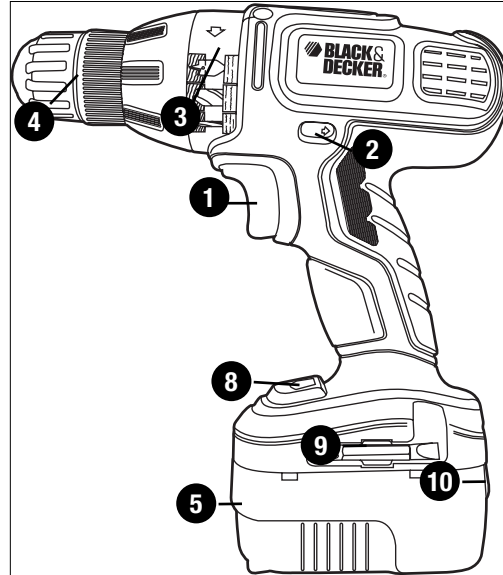
SÍMBOLOS

La etiqueta de su herramienta puede incluir los siguientes símbolos.

V	volts	A	amperes
Hz	hertz	W	watts
min	minutos	~	corriente alterna
	corriente directa	n ₀	velocidad sin carga
	construcción clase II		terminales de conexión a tierra
	símbolo de alerta	.../min	revoluciones o minuto seguridad

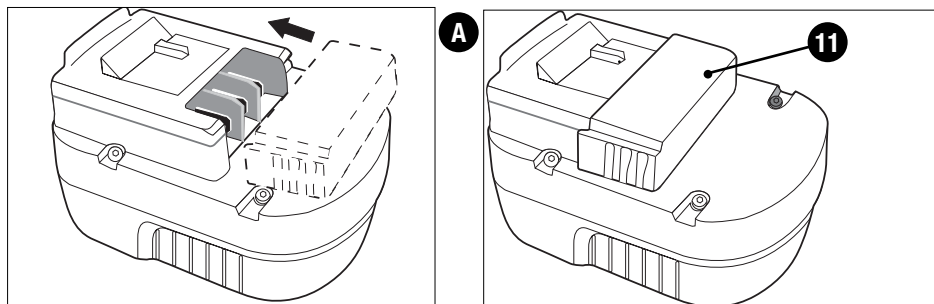
DESCRIPCIÓN DE LAS FUNCIONES

1. Interruptor de velocidad variable
2. Interruptor deslizable de avance y reversa
3. Selector de rendimiento óptimo (embrague)
4. Portabrocas
5. Batería
6. Cargador para enchufe hembra
7. Cargador de base
8. Indicador del nivel de carga de la batería
9. Portabrocas para destornillador
10. Botón de liberación de la batería



Información acerca del protector de la batería (Figura A)

Se han incluido protectores (8) para el almacenaje y transporte de la batería. Estos deben ser usados cuando la batería no esté conectada a la herramienta ni en el cargador. Recuerde quitar el protector antes de poner la batería en el cargador o conectarla a la herramienta.



⚠ ADVERTENCIA: No guarde ni lleve baterías, unidades de alimentación o pilas en un lugar donde sus terminales pudieran entrar en contacto con algún objeto metálico. Por ejemplo, no ponga baterías, unidades de alimentación o pilas dentro de un delantal o bolsillo, una caja de herramientas o de almacenamiento del producto, un cajón, etc., junto con clavos sueltos, tornillos, llaves, etc. si no están debidamente protegidas. El transporte de baterías, unidades de alimentación o pilas puede causar un incendio si sus terminales entran en contacto sin querer con materiales conductores como llaves, monedas, herramientas de mano y otros por el estilo. De hecho, el reglamento sobre

materiales peligrosos (HMR) del Ministerio de Transporte de los Estados Unidos prohíbe el transporte de baterías, unidades de alimentación o pilas en cualquier tipo de transporte terrestre o aéreo (es decir, embaladas en maletas y maletines de mano) A NO SER que estén debidamente protegidas de hacer cortocircuito. Por lo tanto, cuando transporte baterías, unidades de alimentación o pilas individuales, asegúrese que sus terminales estén protegidos y debidamente aislados de materiales que pudieran entrar en contacto con ellos y causar un cortocircuito.

⚠ Advertencias e instrucciones de seguridad: Cómo cargar

1. Este manual contiene instrucciones de seguridad y operación importantes.
2. Antes de usar el cargador de batería, lea todas las instrucciones y marcas de advertencia en (1) el cargador de la batería, (2) la batería y (3) el producto que utiliza la batería.
3. **⚠ ATENCIÓN:** Para reducir el riesgo de lesión, sólo cargue unidades de alimentación Black & Decker. Otros tipos de baterías podrían reventarse y causar lesiones corporales y otros daños.
4. No exponga el cargador a lluvia o nieve.
5. El uso de un accesorio no recomendado o vendido por Black & Decker podría resultar en riesgo de incendio, descarga eléctrica o lesiones corporales.
6. Para reducir el riesgo de daño al enchufe y cable de alimentación, jale del enchufe y no del cable cuando desconecte el cargador.
7. Asegúrese que el cable no sea ubicado de manera que podría ser pisado, causar que alguien tropiece con él o ser expuesto a otro tipo de daños.
8. No se debería usar un alargador a no ser que sea absolutamente necesario. El uso de un alargador incorrecto podría resultar en riesgo de incendio, descarga eléctrica o electrocución.
 - a. Cables de dos hilos pueden ser usados con alargadores de 2 ó 3 hilos. Sólo se deben usar alargadores con revestimiento redondo y recomendamos que además se encuentren en la lista de Underwriters Laboratories (U.L.). Si el alargador será utilizado en la intemperie, el cable debe ser adecuado para uso exterior. Cualquier cable marcado para uso exterior es también adecuado para uso interior. Las letras "W" o "WA" en el revestimiento del cable indican que el cable puede ser usado en la intemperie.
 - a. Los hilos del alargador deben ser de un calibre apropiado (AWG o American Wire Gauge) para su seguridad y para evitar la pérdida de potencia y sobrecalentamiento. Mientras menor sea el calibre del hilo, mayor la capacidad del cable. Es decir, un hilo calibre 16 tiene mayor capacidad que uno de 18. Cuando se utilice más de un alargador para completar el largo total, asegúrese que los hilos de cada alargador tengan el calibre mínimo.

TABLA DE MEDIDAS MÍNIMAS DE CONDUCTOR (AWG) PARA CABLES PROLONGADORES AMPERIOS SEGÚN PLACA: 0 a 10

Longitud total del cable	0-25	26-50	51-100	101-150
prolongador (en pies)	(0-7,6 m)	(7,9-15,2 m)	(15,5-30,4 m)	(30,8-45,7 m)
Calibre del conductor	18	16	16	14

9. Utilice únicamente el cargador provisto cuando cargue su batería. El uso de cualquier otro cargador puede dañar la batería o provocar una condición de riesgo.
10. Sólo use un cargador cuando lo cargue.
11. No intente abrir el cargador. No contiene elementos que el cliente pueda reparar. Devuelva a cualquier centro de mantenimiento Black & Decker autorizado.
12. NO incinere las baterías aunque estén muy averiadas o completamente gastadas. Las baterías pueden explotar en el fuego.
13. Las celdas de la batería pueden tener fugas pequeñas de líquido cuando han sido usadas o cargadas durante períodos demasiado largos, o bajo ciertas condiciones de temperatura. Esto no indica una falla. Sin embargo, si el sello externo ha sido roto y su piel entra en contacto con el líquido:
 - a. Lave rápidamente con jabón y agua.
 - b. Neutralice con un ácido suave como jugo de limón o vinagre.
 - c. Si el líquido de la batería le entra a los ojos, lávelos con agua limpia por al menos 10 minutos y hágase ver por un médico de inmediato. **NOTA MÉDICA:** El líquido es una solución de 25-35% de hidróxido de potasio.

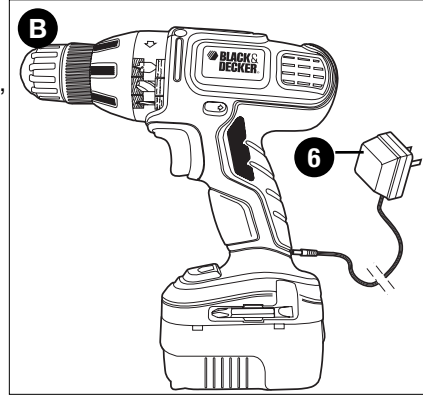
CARGA DEL PAQUETE DE ALIMENTACIÓN

Su taladro puede utilizar tanto un cargador para enchufe hembra como un cargador de base; ambos se describen a continuación. Siga las instrucciones para el tipo de cargador que tenga. Los cargadores están diseñados para utilizar la energía eléctrica estándar: CA de 120 voltios, 60 Hz. No utilice CC o cualquier otro voltaje.

LAS BATERÍAS EN SU PAQUETE DE ALIMENTACIÓN NO VIENEN COMPLETAMENTE CARGADAS DE FÁBRICA. ANTES DE INTENTAR CARGARLAS, LEA ATENTAMENTE TODAS LAS INSTRUCCIONES DE SEGURIDAD.

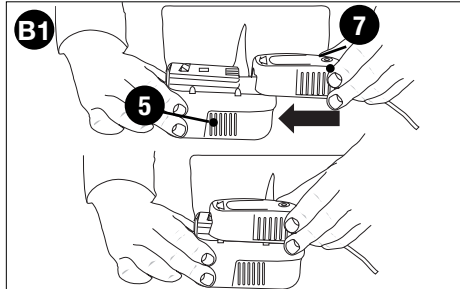
INSTRUCCIONES PARA LOS CARGADORES PARA ENCHUFES HEMBRA:

1. Coloque la batería en la herramienta hasta que quede firme en su lugar.
2. Inserte el enchufe del cargador (6) en el conector, como se muestra en la **figura B**.
3. Enchufe el cargador en cualquier tomacorriente eléctrico estándar de 120 voltios, 60 Hz y deje que la batería se cargue inicialmente durante **12 horas**. Después de la carga inicial, en condiciones de uso normales, la unidad de alimentación debería cargarse completamente en **6 a 12 horas**.
4. **⚠ ADVERTENCIA: Riesgo de incendios.** Primero desenchufe el cargador del tomacorriente y luego desenchufe el cargador de la herramienta. No utilice la herramienta mientras esté conectada al cargador.



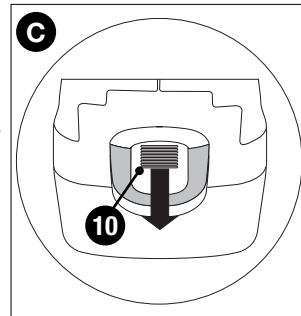
INSTRUCCIONES PARA CARGADORES DE BASE:

1. Enchufe el cargador en cualquier tomacorriente eléctrico estándar de 120 V, 60 Hz.
 2. Deslice el cargador (7) sobre la batería (5), como se muestra en la **figura B1** y deje que la batería se cargue inicialmente durante **12 horas**. Después de la carga inicial, en condiciones de uso normales, su paquete de baterías debería cargarse completamente en **6 a 12 horas**.
 3. Desenchufe el cargador, y retire el paquete de baterías. Coloque la batería en la herramienta hasta que quede firme en su lugar.
- NOTA:** Para retirar la batería del taladro, presione el botón (10) de liberación en la parte posterior de la batería (**figura C**) y deslice hacia afuera.



NOTAS IMPORTANTES SOBRE LA CARGA

1. Luego de un uso normal, su unidad de alimentación debería quedar completamente cargada en **6 a 12 horas**. Si la unidad de alimentación ha sido completamente agotada, puede tomar hasta **12 horas** en cargarse por completo. Su unidad de alimentación no viene cargada de la fábrica. Antes de intentar usarla, debe ser cargada por al menos **12 horas**.
2. **NO** cargue la unidad de alimentación cuando la temperatura del aire sea menor a 40°F (~4°C) o mayor a 105°F (~40°C). Esto es importante y prevendrá que la unidad de alimentación sea seriamente dañada. Se puede lograr una mayor duración y mejor rendimiento si la unidad de alimentación se carga cuando la temperatura del aire sea de aproximadamente 75°F (~24°C).
3. Mientras carga, el cargador puede emitir un zumbido y hacerse caliente al tacto. Esto es normal y no indica un problema.



4. Si la unidad de alimentación no se carga bien — (1) Revise que la toma de corriente funcione bien. Enchufe una lámpara u otro aparato en ella. (2) Revise si la toma de corriente está conectada a un interruptor que apaga la corriente cuando apaga la luz. (3) Lleve el cargador y la unidad de alimentación a un lugar cuya temperatura ambiental sea entre 40 y 105°F (~4 a 40°C). (4) Si el enchufe y la temperatura están bien y aún no consigue cargar la batería, traiga o envíe su unidad de alimentación y cargador a su centro local de servicio Black & Decker. Busque bajo 'Herramientas eléctricas' en las páginas amarillas.
5. La unidad de alimentación debería ser recargada cuando no sea capaz de producir suficiente potencia para trabajos que eran fácilmente realizados antes. **NO SIGA** usando el producto cuando su unidad de alimentación se encuentre agotada.
6. Para prolongar la duración de la unidad de alimentación, evite dejarla cargando durante períodos de tiempo muy largos (más de 30 días sin usar). A pesar que el sobrecargarla no es motivo de preocupación desde el punto de vista de seguridad, puede reducir significativamente la duración general de la unidad de alimentación.
7. Cuando la batería se encuentra insertado en el cargador, el "Indicador de Carga" rojo (cargadores de base solamente) se encenderá indicando que existe contacto entre la batería y el cargador. La luz permanecerá encendida mientras la batería se encuentre en el cargador y el mismo se encuentra enchufado a la toma de corriente. En caso de que **NO SE ENCIENDA**, retire o cambie a un color diferente cuando el ciclo este completo.
8. La unidad de alimentación alcanzará su rendimiento óptimo una vez que haya sido recargada 5 veces durante uso normal. No es necesario agotar las baterías por completo antes de recargarlas. El uso normal es la mejor manera de descargar y recargar las baterías.

INSTRUCCIONES Y ADVERTENCIAS DE SEGURIDAD: TALADROS

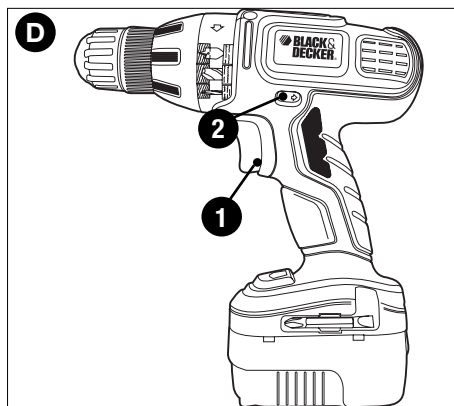
1. Sostenga el taladro con firmeza, con una mano en el agarre y la otra en la parte inferior del paquete de baterías.
 2. Cuando acople accesorios en el portabrocas, ajuste manualmente y con firmeza el portabrocas sin llave.
- ⚠ **ADVERTENCIA:** El taladro se puede atascar (si se sobrecarga o se usa inadecuadamente) y provocar una torsión. Siempre espere el atascamiento. Sujete el taladro con firmeza con ambas manos para controlar la torsión y evitar la pérdida de control que podría ocasionar lesiones personales. En caso de atascamiento, suelte el gatillo inmediatamente y determine la causa antes de encender la herramienta nuevamente.

INSTRUCCIONES DE OPERACIÓN

INTERRUPTOR DISPARADOR Y BOTÓN DE INVERSIÓN (FIGURA D)

- El taladro se **ENCIENDE** y **APAGA** tirando y liberando el interruptor disparador (1).
- Cuanto más se oprima al disparador, mayor será la velocidad del taladro.
- El botón de control de avance/reversa (2) determina la dirección de la herramienta y también sirve como botón de bloqueo.
- Para seleccionar la rotación de avance, libere el interruptor disparador y oprima el botón de control de avance/reversa a la izquierda.
- Para seleccionar reversa, oprima el botón de control avance/reversa en la dirección opuesta.

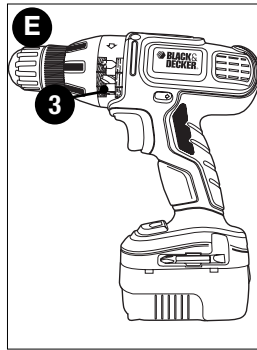
NOTA: la posición central del botón de control bloquea la herramienta en la posición de apagado. Al cambiar la posición del botón de control, asegúrese de que el disparador esté liberado.



CONTROL DE TORSIÓN (TECNOLOGÍA SMART SELECT) (FIGURA E)

Esta herramienta viene equipada con un anillo (3) que representa diversas aplicaciones de taladrado y atornillado. Se utilizan para seleccionar el modo de operación y para configurar la torsión para el ajuste de los tornillos. Los tornillos grandes y las piezas de trabajo de material duro requieren un ajuste mayor de torsión que los tornillos pequeños y las piezas de trabajo de material blando.

Cuando se gira el anillo selector de rendimiento óptimo (3) hacia alguna de las imágenes que se muestran en la tabla siguiente, la herramienta cambia a fin de proporcionar la torsión o velocidad recomendada para esa aplicación.



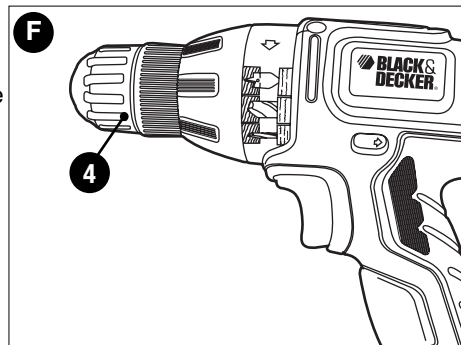
ON-PRODUCT IMAGE	APPLICATION	DRILL AUTOMATICALLY DELIVERS
	Driving 1/4 in. - 1 in. screws Para colocar tornillos largos de 6,35 mm a 25,4 mm (1/4 pulg. a 1 pulg.)	LOW TORQUE BAJA TORSI ^{ÓN}
	Driving 1 in. or longer screws Para colocar tornillos de 25,4 mm (1 pulg.) o m-s lar gos	MEDIUM TORQUE MEDIA TORSI ^{ÓN}
	Drilling 1/2 in. or larger drill bit into metal Para colocar broca helicoidal de 12,7 mm (1/2 pulg.) o m-s lar ga en metal	HIGH TORQUE ALTA TORSI ^{ÓN}
	Drilling 1 in. or larger spade bit Para colocar broca de pala de 25,4 mm (1 pulg.) o m-s lar ga en madera	HIGHEST TORQUE LA MAYOR TORSI ^{ÓN}
	SHIFT CAMBIO	Transition from HIGH TORQUE to HIGH SPEED Transición de ALTA TORSI ^{ÓN} a ALTA VELOCIDAD
	Drilling up to 1/2 in. drill bit into any material Para colocar broca helicoidal de hasta 12,7 mm (1/2 pulg.) en cualquier material	HIGH SPEED ALTA VELOCIDAD
	Drilling 3/8 in. or larger drill bit into wood or plastic Para colocar broca helicoidal de 9,5 mm (3/8 pulg.) o m-s lar ga en madera o pl-stico	HIGH SPEED ALTA VELOCIDAD
	Drilling 7/8 in. spade or smaller bit into wood Para colocar broca de pala de 22,2 mm (7/8 pulg.) en madera o m-s pequeño	HIGH SPEED ALTA VELOCIDAD

PORTABROCAS SIN LLAVE (FIGURA F)

Para insertar una broca u otro accesorio:

1. Tome la mitad posterior del portabrocas (4) con una mano y use la otra mano para girar la mitad de frente en dirección contraria a las agujas del reloj, vista desde el extremo del portabrocas.
2. Inserte por completo la broca u otro accesorio en el portabrocas y ajuste para asegurar, sosteniendo la mitad posterior del portabrocas y girando la porción de frente en la dirección de las agujas del reloj, vista desde el extremo del portabrocas.

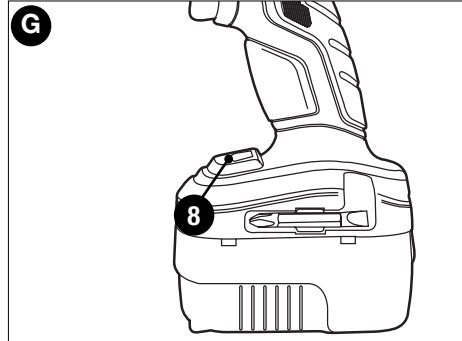
⚠ ADVERTENCIA: No tome la parte delantera del portabrocas y encienda la herramienta para ajustar las brocas (o cualquier otro accesorio). Cuando se cambian los accesorios, se pueden provocar daños al portabrocas y daños personales.



Indicador del nivel de carga de la batería - Figura G

El taladro posee incorporado un indicador de carga de la batería (8).

- Para mostrar el estado de la carga, oprima el botón negro que está en la parte inferior del indicador.
- Cuando se instalan baterías totalmente cargadas, se encienden las tres luces. A medida que la carga se agota, habrá menos luces encendidas.



DESTORNILLADO

Para impulsar remaches, el botón de inversión debe estar empujado hacia la izquierda. Use la inversa (botón empujado hacia la derecha) para retirar remaches. Al cambiar de avance a retroceso, o viceversa, siempre libere el interruptor disparador primero.

ESPACIO EN LA HERRAMIENTA PARA GUARDAR BROCAS

Hay una ranura para guardar brocas en el área que está justo por encima del paquete de baterías.

TALADRADO

- Solamente utilice brocas afiladas.
- Apoye y asegure apropiadamente la pieza de trabajo, como se recomienda en las Instrucciones de seguridad.
- Utilice el equipo de seguridad apropiado y requerido, como se señala en las instrucciones de seguridad.
- Cuide el área de trabajo, como se menciona en las instrucciones de seguridad.
- Haga funcionar el taladro muy lentamente, utilizando poca presión, hasta haber perforado lo suficiente para evitar que la broca se deslice hacia afuera del barreno.
- Aplique presión en línea recto con la broca. Haga presión suficiente para conservar a la broca cortando, pero no tanta como para que el motor se atasque o la broca se desvíe.
- **Sujete firmemente el taladro para controlar su acción de torsión.**
- **NO OPRIMA EL GATILLO DE UN TALADRO ATASCADO PARA INTENTAR ENCENDERLO Y APAGARLO. PUEDE DAÑARLO.**
- Minimice el atascamiento al iniciar el barreno reduciendo la presión y perforando lentamente a través de la última parte del barreno.
- Conserve el motor en funcionamiento mientras saca la broca de un barreno. Esto ayudará a evitar atascaduras.
- Emplee un lubricante para corte cuando perforo metales. Las excepciones son el hierro colado y el latón, que deben taladrarse en seco. Los lubricantes que tienen mejor funcionamiento son el aceite sulfúrico para corte y la manteca de cerdo. La grasa de tocino funciona también.
- Cuando emplee brocas helicoidales para perforar en madera, será necesario sacarlas del barreno con frecuencia para limpiar las virutas de los canales.
- **Asegúrese que el interruptor enciende y apaga el taladro.**

⚠ ADVERTENCIA: Es importante apoyar la pieza de trabajo adecuadamente y sujetar al taladro con firmeza para evitar la pérdida de control que pudiese ocasionar lesiones personales. Si tiene preguntas sobre la operación correcta de la herramienta, llame: **(55)5326-7100**

MANTENIMIENTO

Utilice únicamente jabón suave y un trapo húmedo para limpiar la herramienta. Nunca permita que se introduzcan líquidos en la herramienta; nunca sumerja ninguna parte de la herramienta en ningún líquido. **IMPORTANTE:** Para garantizar la SEGURIDAD y la CONFIABILIDAD del producto, las reparaciones, el mantenimiento y los ajustes deberán efectuarse en centros de servicio autorizado u otras organizaciones de servicio calificado, que utilicen siempre refacciones idénticas.

DETECCIÓN DE PROBLEMAS

Problema	Causa posible	Solución posible
<ul style="list-style-type: none"> • La unidad no enciende. 	<ul style="list-style-type: none"> • El paquete de baterías no está bien instalado. • El paquete de baterías no está cargado. 	<ul style="list-style-type: none"> • Controle la instalación del paquete de baterías. • Verifique los requisitos de carga del paquete de baterías.
<ul style="list-style-type: none"> • El paquete de baterías no carga. 	<ul style="list-style-type: none"> • El paquete de baterías no está insertado en el cargador. • El cargador no está enchufado. • La temperatura ambiental está demasiado caliente o demasiado fría. 	<ul style="list-style-type: none"> • Inserte el paquete de baterías en el cargador hasta que se encienda la luz roja (LED). • Enchufe el cargador en un tomacorriente que funcione. Consulte "Notas importantes sobre la carga" para conocer más detalles. • Traslade el cargador y el paquete de baterías a una temperatura ambiental que esté por encima de 4.5 °C (40 °F) o por debajo de 40.5 °C (105 °F).

Para conocer la ubicación del centro de mantenimiento más cercano a fin de recibir ayuda con su producto, visite nuestro sitio Web www.blackanddecker.com o llame a la línea de ayuda de BLACK & DECKER al **1-800-544-6986**.

ACCESORIOS

Los accesorios recomendados para emplearse con su herramienta, están a su disposición con el distribuidor o centro de servicio autorizado de su localidad. Si necesita ayuda en relación con los accesorios, por favor llame: **(55)5326-7100**

⚠ **ADVERTENCIA:** El uso de cualquier accesorio no recomendado para emplearse con esta herramienta puede ser peligroso.

EL SELLO RBRC™

El sello RBRC™ en las baterías de níquel-cadmio indica que Black & Decker participa voluntariamente en un programa industrial para recolectar y reciclar estas baterías al término de su vida útil, cuando se retiran de servicio dentro de los Estados Unidos. El programa RBRC™ proporciona una conveniente alternativa para el depósito en los lotes de basura municipales de las baterías de níquel-cadmio desgastadas, hecho que es ilegal en algunas regiones.

Los pagos de Black & Decker a RBRC™ hacen más sencillo para usted deshacerse de sus baterías desgastadas con los distribuidores de baterías de níquel-cadmio de su localidad, o en los centros de servicio autorizado Black & Decker. También puede comunicarse al centro de reciclaje de su localidad para que le informen de los lugares a los que puede regresar las baterías desgastadas. La entrada de Black & Decker a este programa es parte de su compromiso para proteger nuestro medio ambiente y conservar los recursos naturales.

**INFORMACIÓN DE MANTENIMIENTO**

Todos los Centros de mantenimiento de Black & Decker cuentan con personal altamente capacitado dispuesto a brindar a todos los clientes un servicio eficiente y confiable en la reparación de herramientas eléctricas. Si necesita consejo técnico, reparaciones o piezas de repuesto originales de fábrica, póngase en contacto con el centro de mantenimiento de Black & Decker más cercano a su domicilio. Para ubicar su centro de servicio local, consulte la sección "Herramientas eléctricas" (Tools-Electric) de las páginas amarillas, llame al **(55)5326-7100** o visite nuestro sitio www.blackanddecker.com.

GARANTÍA COMPLETA DE DOS AÑOS PARA USO EN EL HOGAR

Black & Decker (Estados Unidos) Inc. ofrece una garantía de dos años por cualquier defecto del material o de fabricación de este producto. El producto defectuoso se reparará o reemplazará sin costo alguno de dos maneras.

La primera opción, el reemplazo, es devolver el producto al comercio donde se lo adquirió (siempre y cuando se trate de un comercio participante). Las devoluciones deben

realizarse conforme a la política de devolución del comercio (generalmente, entre 30 y 90 días posteriores a la venta). Le pueden solicitar comprobante de compra. Consulte en el comercio acerca de la política especial sobre devoluciones una vez excedido el plazo establecido.

La segunda opción es llevar o enviar el producto (con flete pago) a un Centro de mantenimiento propio o autorizado de Black & Decker para su reparación o reemplazo según nuestro criterio. Le pueden solicitar el comprobante de compra. Los Centros de mantenimiento autorizados y de propiedad de Black & Decker se detallan en la sección "Herramientas eléctricas" (Tools-Electric) de las páginas amarillas de la guía telefónica. Esta garantía no se extiende a los accesorios. Esta garantía le concede derechos legales específicos; usted puede tener otros derechos que pueden variar según el estado o la provincia. Si tiene alguna pregunta, comuníquese con el gerente del Centro de mantenimiento de Black & Decker de su zona. Este producto no está diseñado para uso comercial.

Para reparación y servicio de sus herramientas eléctricas, favor de dirigirse al Centro de Servicio más cercano:

CULIACAN, SIN

Av. Nicolás Bravo #1063 Sur
(667) 7 12 42 11
Col. Industrial Bravo

GUADALAJARA, JAL

Av. La Paz #1779
(33) 3825 6978
Col. Americana Sector Juarez

MEXICO, D.F.

Eje Central Lázaro Cardenas
No. 18
(55) 5588 9377
Local D, Col. Obrera

MERIDA, YUC

Calle 63 #459-A
(999) 928 5038
Col. Centro

MONTERREY, N.L.

Av. Francisco I. Madero
No.831
(81) 8375 2313
Col. Centro

PUEBLA, PUE

17 Norte #205
(222) 246 3714
Col. Centro

QUERETARO, QRO

Av. Madero 139 Pte.
(442) 214 1660
Col. Centro

SAN LUIS POTOSI, SLP

Av. Universidad 1525
(444) 814 2383
Col. San Luis

TORREON, COAH

Bld. Independencia, 96 Pte.
(871) 716 5265
Col. Centro

VERACRUZ, VER

Prolongación Díaz Mirón #4280
(229)921 7016
Col. Remes

VILLAHERMOSA, TAB

Constitución 516-A
(993) 312 5111
Col. Centro

PARA OTRAS LOCALIDADES LLAME AL: (55) 5326 7100

Vea "Herramientas eléctricas (Tools-Electric)" - Páginas amarillas - para Servicio y ventas



BLACK & DECKER S.A. DE C.V.
BOSQUES DE CIDROS ACCESO
RADIATAS NO. 42
COL. BOSQUES DE LAS LOMAS.
05120 MEXICO, D.F.
TEL. 55-5326-7100

