

BUMP FEED YARD TRIMMER

INSTRUCTION MANUAL

Date Code:

Catalog Number: ST1000

Thank you for choosing Black & Decker!
Go to www.BlackandDecker.com/NewOwner
to register your new product.

PLEASE READ BEFORE RETURNING THIS PRODUCT FOR ANY REASON:

If you have a question or experience a problem with your Black & Decker purchase, go to [HTTP://WWW.BLACKANDDECKER.COM/INSTANTANSWERS](http://www.blackanddecker.com/instantanswers) for instant answers 24 hours a day.

If you can't find the answer or do not have access to the internet, call 1-800-544-6986 from 8 a.m. to 5 p.m. EST Mon. -- Fri. to speak with an agent. Please have the catalog number available when you call.

SAVE THIS MANUAL FOR FUTURE REFERENCE.

VEA EL ESPAÑOL EN LA CONTRAPORTADA.

INSTRUCTIVO DE OPERACIÓN, CENTROS DE SERVICIO Y PÓLIZA DE GARANTÍA.
ADVERTENCIA: LEÁSE ESTE INSTRUCTIVO ANTES DE USAR EL PRODUCTO.

Cat No. ST1000

Form No. 90556298 Rev. 1

DEC. 2009

Copyright © 2009 Black & Decker

Printed in China

IMPORTANT SAFETY INSTRUCTIONS

WARNING: When using electric tools, basic safety precautions should always be followed to reduce risk of fire, electric shock and personal injury, including the following :

WARNING: Some dust created by this product contains chemicals known to the State of California to cause cancer, birth defects or other reproductive harm. Some examples of these chemicals are:

- compounds in fertilizers
- compounds in insecticides, herbicides and pesticides
- arsenic and chromium from chemically treated lumber

To reduce your exposure to these chemicals, wear approved safety equipment such as dust masks that are specially designed to filter out microscopic particles.

WARNING: This product contains chemicals, including lead, known to the State of California to cause cancer, and birth defects or other reproductive harm. Wash hands after handling.

CAUTION: Wear appropriate personal hearing protection during use. Under some conditions and duration of use, noise from this product may contribute to hearing loss.

READ ALL INSTRUCTIONS

- SAFETY SPECTACLES OR GOGGLES** — Wear at all times when trimming.
- GUARD** — Do not use trimmer without guard attached.
- NYLON LINE** — Keep face, hands and feet clear of rotating nylon line at all times. Do not extend beyond length specified in this manual. Wear long pants to protect your legs.
- KEEP ALL BY-STANDERS AWAY** — at a safe distance from work area, especially children.
- AVOID ACCIDENTAL STARTING** — don't carry plugged-in tool with finger on trigger.
- DO NOT FORCE THE TOOL** — at a rate faster than the rate at which it is able to cut effectively.
- USE THE RIGHT TOOL** — Do not use this tool for any job except that for which it is intended.
- DON'T OVERREACH** — Keep proper footing and balance at all times.
- WARNING** — To prevent electric shock hazard, use only with an extension cord suitable for outdoor use. Always connect extension cords to a fused line or one protected by a circuit breaker.
- DON'T ABUSE CORD** — Don't yank cord from receptacle. Keep cord from heat, oil and sharp edges.
- EXTENSION CORDS** — to prevent disconnection of extension cord during operation, use extension cord retainer as described in this manual.
- DAMAGE TO UNIT** — If you strike or become entangled with a foreign object, stop trimmer immediately, unplug, check for damage and have any damage repaired before further operation is attempted. Do not operate with a broken hub or spool.
- DAMAGE TO CORD** — Keep power cord away from rotating line. If you damage the extension cord, unplug it at the electrical outlet before moving the trimmer or examining the damage. If there is damage to the extension cord, replace cord before further use.
- DISCONNECT TOOL** — When not in use, when replacing line, or prior to cleaning hub.
- DRESS PROPERLY** — Don't operate the tool when barefoot or wearing open sandals. Always wear substantial footwear. Use of rubber gloves and substantial rubber soled footwear is recommended when working outdoors.
- AVOID DANGEROUS ENVIRONMENTAL CONDITIONS** — Do not use electric tools in damp or wet locations. Follow all instructions in this instruction manual for proper operation of your trimmer.
- DON'T USE THE TRIMMER IN THE RAIN.**
- DO NOT OPERATE** portable electric tools in gaseous or explosive atmospheres. Motors in these tools normally spark, and the sparks might ignite fumes.
- STORE IDLE TOOLS INDOORS** — When not in use, tools should be stored indoors in dry, locked-up placed—out of reach of children.
- THE ROTATING LINE PERFORMS A CUTTING FUNCTION** — Use care when trimming around screens and desirable plantings.
- USE ONLY RECOMMENDED REPLACEMENT LINE** — Do not use heavier line or other line materials, eg. metal wire, fishing line or similar materials.

SAFETY GUIDELINES - DEFINITIONS

It is important for you to read and understand this manual. The information it contains relates to protecting YOUR SAFETY and PREVENTING PROBLEMS. The symbols below are used to help you recognize this information.

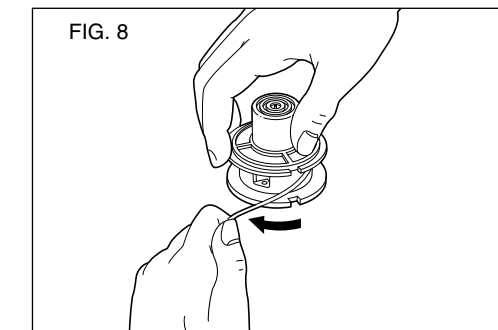
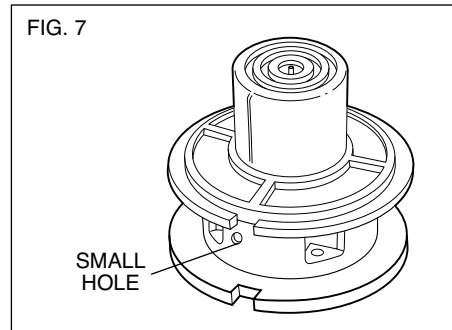
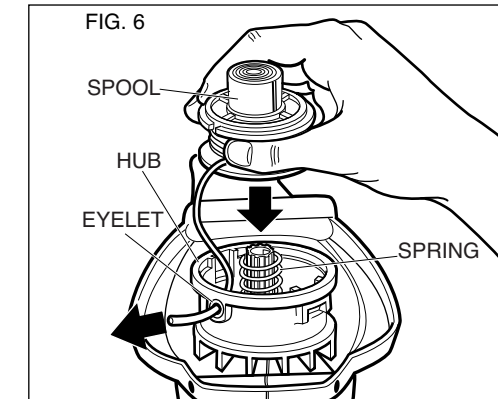
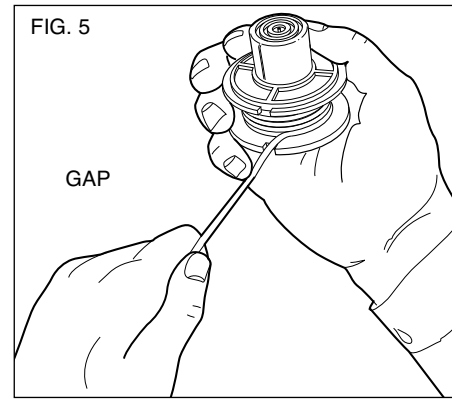
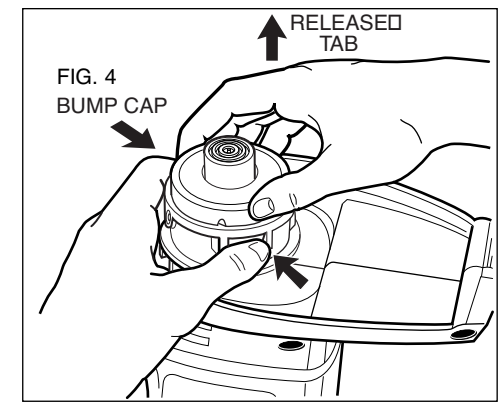
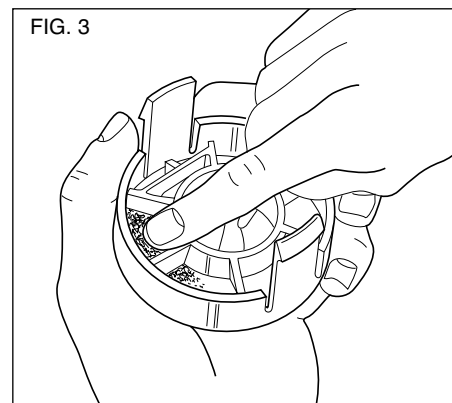
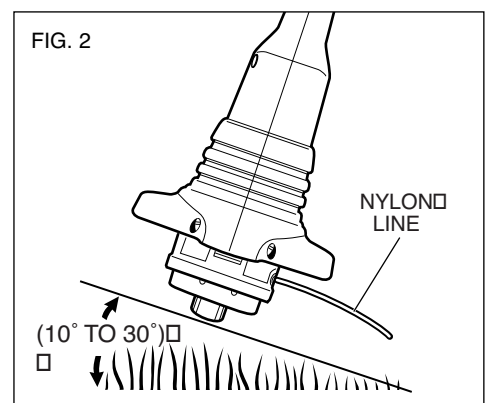
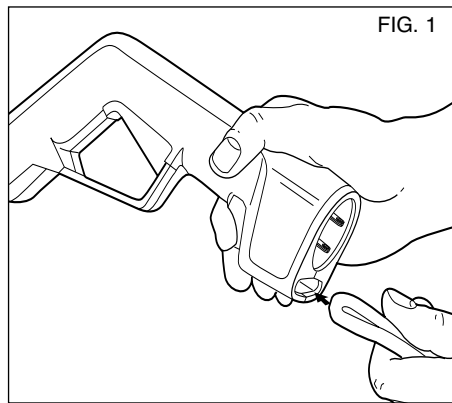
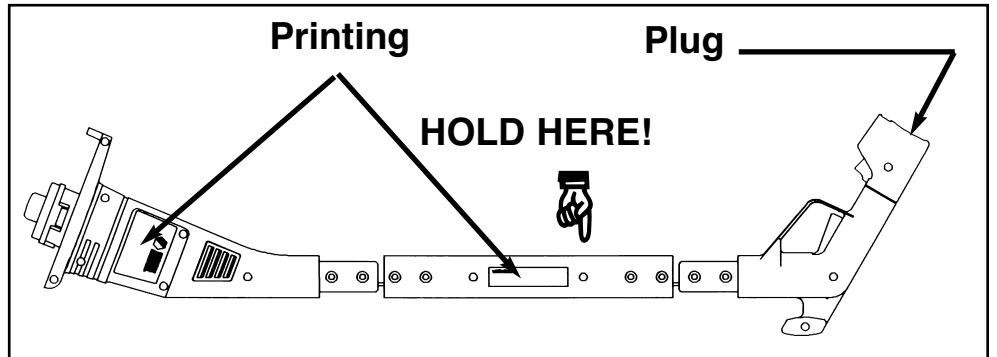
DANGER: Indicates an imminently hazardous situation which, if not avoided, will result in death or serious injury.

WARNING: Indicates a potentially hazardous situation which, if not avoided, could result in death or serious injury.

CAUTION: Indicates a potentially hazardous situation which, if not avoided, may result in minor or moderate injury.

CAUTION: Used without the safety alert symbol indicates a potentially hazardous situation which, if not avoided, may result in property damage.

SAVE THESE INSTRUCTIONS



Double Insulation

AN IMPORTANT CONSUMER FEATURE

Your tool is double insulated to give you added safety. This means that it is constructed throughout with two separate "layers" of electrical insulation or one double thickness of insulation between you and the tool's electrical system.

Tools built with this insulation system are not intended to be grounded. As a result, the extension cord used with your tool can be plugged into any conventional 120 volt electrical outlet without concern for maintaining a ground connection.

NOTE: Double insulation does not take the place of normal safety precautions when operating this tool. The insulation system is for added protection against injury resulting from a possible electrical insulation failure within the tool.

CAUTION: When servicing double insulated tools, USE ONLY IDENTICAL REPLACEMENT PARTS. Replace or repair damaged cords.

Polarized Plug

This product is supplied with a polarized plug (one blade is wider than the other). This plug will fit into a polarized outlet (receptacle) only one way. If the plug does not fit fully into your outlet, reverse the plug. If it still does not fit, contact a qualified electrician to install a proper polarized outlet. Do not modify or change this plug in any way.

Extension Cords

Make sure your extension cord is in good condition. When using an extension cord, be sure to use one heavy enough to carry the current your product will draw. An undersized extension cord will cause a drop in line voltage resulting in loss of power and overheating. The table shows the correct size to use depending on cord length and nameplate ampere rating. If in doubt, use the next heavier gauge. The smaller the gauge number, the heavier the cord.

Volts	Minimum Gauge for Cord Sets				
	Total Length of Cord in Feet				
120V	0-25	26-50	51-100	101-150	
	(0-7,6m)	(7,6-15,2m)	(15,2-30,4m)	(30,4-45,7m)	
240V	0-50	51-100	101-200	201-300	
	(0-15,2m)	(15,2-30,4m)	(30,4-60,9m)	(60,9-91,4m)	
Ampere Rating					
More Than		Not more Than		American Wire Gauge	
0	-	6	18	16	14
6	-	10	18	16	12
10	-	12	16	16	12
12	-	16	14	12	Not Recommended

Assembly Instructions

- Layout sections as shown. (See illustration)
- Hold middle section at printing while assembling each end.
- Push sections together firmly.
- Install screws and nuts. Screws cannot be tightened if parts are assembled incorrectly.

How To Use Your Black & Decker Yard Trimmer

CLIP-TO-LOCK CORD RETAINER: (UNPLUG EXTENSION CORD AT TRIMMER)

An extension cord retainer is built into the switch handle that prevents the extension cord from pulling out of the handle. To use the retainer, double the extension cord, as shown in Figure 1, about a foot from the female end. Depress the retainer latch, shown in the figure, and insert the cord as far as it will go. Holding the cord in place, release the retainer latch and the cord will be securely held. To remove the cord, depress the retainer latch and pull the cord out.

Trimming Technique and Performance Notes

Proper trimming technique is essential to obtain the maximum in performance and handling ease. **CAUTION:** Inspect area to be trimmed for any wire, cord, or string-like matter which could become entangled in the rotating line or spool. Be particularly careful to avoid any wire which might be bent outwardly into the path of the tool, such as barbs at the base of a chain link fence. Tilt trimmer at a slight angle from the ground (Figure 2).

Lower to grass or weeds you intend to cut. (If they are over 20cm (8 in.) high, start cutting at top.)

Slowly swing unit into and out of area being cut, holding the unit off the ground at desired cutting height.

IMPORTANT — for the best cutting action against walls, fences and in high grass, move trimmer slowly so grass is cut **WITH THE TIP** of the high speed nylon line.

1. Avoid running trimmer with hub in contact with ground.
2. **Trim only when grass and weeds are dry.**
3. The life of your nylon line is dependent upon following the above trimming techniques, as well as what is being cut, and where the cutting is being done.
EXAMPLE: Line will wear faster when run against a foundation wall as compared to trimming around a tree. Some line breakage will occur from feeding unit too fast, from entanglement with foreign matter, from normal line fatigue, and from attempting to cut thick, stalky weeds in excess of unit's capability.

NOTE: As the weather becomes cooler, the tendency for the nylon line to break becomes greater.

DO NOT USE UNIT WHEN TEMPERATURE IS BELOW 50° F

4. For best performance, as the line wears, lengthen as indicated in Line Feeding Procedure.
5. **Periodically unplug extension cord at trimmer and remove the accumulation of grass or cutting debris** from the inside of the bump cap shroud as shown in Figure 3.

Line Feeding Procedure

In order to feed a length of cutting line, strike the bump cap on the lawn while the trimmer is running. This will automatically feed a new length of line and trim it to the correct length. A firm but gentle motion should be used to strike the bump cap. The unit should be angled slightly forward to prevent the guard from contacting the ground. This process may be repeated as often as necessary. If unit fails to feed, unplug extension cord at trimmer and clean out the bump cap (See Figure 3).

Spool Replacement and Recovery of Line Broken Off Inside Spool

1. Unplug extension cord at trimmer.
2. Remove the bump cap by pulling up while depressing the two release tabs on the sides of the hub at the points shown in Figure 4.
NOTE: It may be necessary to pull up on the cap while depressing the release tabs one side at a time.
NOTE: The cutting line is quite springy and can be awkward to handle.
3. Remove any broken cutting line, wrap the remaining line tight and reinsert spool into hub as follows.
 - a. Wind the line tight enough so that it is all below the edges of the flanges on the spool. If it extends past the flanges, it won't fit into the hub.
 - b. Place the loose end of the cutting line through the gap in the spool flange as shown in Figure 6. (Either gap will do but try to leave yourself about 3 or 4 inches of line to work with as shown in the figure 5)
 - c. Holding the line in the gap, insert the end through the eyelet in the hub and slip the spool into the hub, as shown in Figure 6.
Make sure the spring is still in place in the hub. If the spool does not slip into the hub easily, press gently and pull straight out on the cutting line that protrudes through the eyelet.
4. Once the spool drops into the hub, align the release tabs on the shroud with the slots in the hub and press the shroud into place. Be sure that both release tabs snap into place.
5. To replace the line on a spool, follow the steps below
 - a. Locate, on the empty spool, one of the two small holes shown in Figure 7.
 - b. Insert the end of the line no more than 1/8 in. into the hole and begin winding the line around the spool. Be sure to wind the line in the direction of the arrow in Figure 8.
 - c. Perform steps 4 and 5.

Maintenance- Unplug Extension Cord at Trimmer

MAINTAIN TOOL WITH CARE

1. Keep the air intake slots clean to avoid overheating which will damage trimmer. For this cleaning, use a dry brush or cloth to remove grass, sap or other debris.
2. Plastic parts may be cleaned by using a mild soap and a rag dampened with hot water. Avoid all other types of detergents, cleaners or solvents which might contain chemicals that could seriously damage the plastic. Do not spray the trimmer with water.
3. Self lubricating bearings are used in the tool and periodic relubrication is not required. However, it is recommended that after two or three seasons of use, you take or send the trimmer to a Black & Decker service center or authorized service station (see TOOLS, ELECTRIC in yellow pages) for a thorough cleaning, inspection and relubrication. If the tool is being used professionally, the above should be accomplished after each trimming season.
4. If trimmer fails to operate, disconnect extension cord from power source first, then from trimmer. Make sure extension cord is undamaged and that house fuses are not blown or circuit breakers tripped. If trimmer still fails to operate, take or send it to your local B&D service center or authorized service station for repair. Do not attempt to repair it yourself.

IMPORTANT

To assure product SAFETY and RELIABILITY, repairs, maintenance and adjustment (including brush inspection and replacement) should be performed by Black & Decker service centers or other qualified service organizations, always using Black & Decker replacement parts. When servicing use ONLY IDENTICAL REPLACEMENT PARTS.

Accessories

Replacement line and safety spectacles are available from your local dealer, or a Black & Decker service center. If you need assistance in locating any accessory, please contact: Black & Decker (U.S.) Inc., Consumer Service Department, 626 Hanover Pike, P.O. Box 618, Hampstead, MD 21074-0618.

Recommended accessories for your trimmer are shown in this manual. The use of any other accessory or attachment might be hazardous.

Cat. No. RS-136, (82-136-02) Replacement Spool with 20 feet of Nylon Line.

Cat. No. BL-065, (82-602) Hank of bulk .065 in. dia. Nylon Line (50 feet)

Cat. No. 82-611 One pound .065 in. dia. Nylon Line.

CAUTION: Use only recommended accessories with your yard trimmer. The use of any other attachment or accessory might be hazardous. Use only specially treated .065 in. diameter Black & Decker monofilament nylon line with your yard trimmer.

TROUBLESHOOTING

Problem	Possible Cause	Possible Solution
• Unit will not start.	• Cord not plugged in. • Circuit fuse is blown.	• Plug tool into a working outlet. • Replace circuit fuse. (If the product repeatedly causes the circuit fuse to blow, discontinue use immediately and have it serviced at a Black & Decker service center or authorized servicer.)
	• Circuit breaker is tripped.	• Reset circuit breaker. (If the product repeatedly causes the circuit breaker to trip, discontinue use immediately and have it serviced at a Black & Decker service center or authorized servicer.)
	• Cord or switch is damaged.	• Have cord or switch replaced at Black & Decker Service Center or Authorized Servicer

For assistance with your product, visit our website www.blackanddecker.com for the location of the service center nearest you or call the BLACK & DECKER help line at 1-800-544-6986.

NOTE: Always include date code numbers on all correspondence. This 4 or 5 digit number is printed on the nameplate label located on the motor housing.

SERVICE INFORMATION

All Black & Decker Service Centers are staffed with trained personnel to provide customers with efficient and reliable power tool service. Whether you need technical advice, repair, or genuine factory replacement parts, contact the Black & Decker location nearest you. To find your local service location, refer to the yellow page directory under "Tools—Electric" or call: 1-800-544-6986 or visit www.blackanddecker.com

FULL TWO-YEAR HOME USE WARRANTY

Black & Decker (U.S.) Inc. warrants this product for two years against any defects in material or workmanship. The defective product will be replaced or repaired at no charge in either of two ways.

The first, which will result in exchanges only, is to return the product to the retailer from whom it was purchased (provided that the store is a participating retailer). Returns should be made within the time period of the retailer's policy for exchanges (usually 30 to 90 days after the sale). Proof of purchase may be required. Please check with the retailer for their specific return policy regarding returns that are beyond the time set for exchanges.

The second option is to take or send the product (prepaid) to a Black & Decker owned or authorized Service Center for repair or replacement at our option. Proof of purchase may be required. Black & Decker owned and authorized Service Centers are listed under "Tools-Electric" in the yellow pages of the phone directory.

This warranty does not apply to accessories. This warranty gives you specific legal rights and you may have other rights which vary from state to state or province to province. Should you have any questions, contact the manager of your nearest Black & Decker Service Center. This product is not intended for commercial use.

FREE WARNING LABEL REPLACEMENT: If your warning labels become illegible or are missing, call 1-800-544-6986 for a free replacement.

LATIN AMERICA: This warranty does not apply to products sold in Latin America. For products sold in Latin America, check country specific warranty information contained in the packaging, call the local company or see the website for warranty information.

Imported by
Black & Decker (U.S.) Inc.,
701 E. Joppa Rd.
Towson, MD 21286 U.S.A.



See 'Tools-Electric'
- Yellow Pages -
for Service & Sales



MODE D'EMPLOI

N° de catalogue : ST1000

Merci d'avoir choisi Black & Decker!
Consulter le site Web
www.BlackandDecker.com/NewOwner
pour enregistrer votre nouveau produit.

À LIRE AVANT DE RETOURNER CE PRODUIT POUR QUELQUE RAISON QUE CE SOIT :

Si des questions ou des problèmes surgissent après l'achat d'un produit Black & Decker, consulter le site Web

[HTTP://WWW.BLACKANDDECKER.COM/INSTANTANSWERS](http://WWW.BLACKANDDECKER.COM/INSTANTANSWERS)

pour obtenir des réponses instantanément 24 heures par jour.

Si la réponse est introuvable ou en l'absence d'accès à Internet, composer le 1-800-544-6986 de 8 h à 17 h HNE, du lundi au vendredi, pour parler avec un agent.

Prière d'avoir le numéro de catalogue sous la main lors de l'appel.

IMPORTANTES MISES EN GARDE

AVERTISSEMENT : Afin de réduire les risques d'incendie, de secousses électriques ou de blessures lorsqu'on utilise des outils électriques, il faut toujours respecter les mesures de sécurité suivantes.

AVERTISSEMENT : Le produit génère de la poussière qui peut renfermer des produits chimiques. Selon l'état de la Californie, ces produits chimiques peuvent causer le cancer ainsi que des malformations congénitales, et ils présentent d'autres dangers au système reproductif humain. Voici des exemples de tels produits chimiques :

- les composés d'engrais;
- les composés d'insecticides, d'herbicides et de pesticides;
- l'arsenic et le chrome provenant de bois traité.

Afin de minimiser les risques, porter de l'équipement de sécurité approuvé comme des masques antipoussières spécialement conçu pour filtrer les particules microscopiques.

AVERTISSEMENT : Le produit renferme des produits chimiques, dont du plomb. Selon l'état de la Californie, ce produit chimique peut causer le cancer ainsi que des malformations congénitales, et il présente d'autres dangers au système reproductif humain. Se laver les mains après l'utilisation.

MISE EN GARDE : Porter un dispositif approprié de protection de l'ouïe lors de l'utilisation du produit. Dans certaines conditions et durées d'utilisation, le produit peut émettre un niveau de bruit provoquant la perte de l'ouïe.

LIRE TOUTES LES DIRECTIVES.

1. **Toujours porter des LUNETTES DE SÉCURITÉ.** Les porter tant et aussi longtemps que l'appareil est branché.
2. Ne pas utiliser l'outil sans le **PROTECTEUR** en place.
3. Éloigner en tout temps le visage, les mains et les pieds du **FIL DE NYLON** qui tourne. Ne pas le régler à une longueur dépassant celle qui est spécifiée dans le présent guide. Porter des pantalons afin de se protéger les jambes.
4. **ÉLOIGNER LES SPECTATEURS**, surtout les enfants.
5. **ÉVITER LES DÉMARRAGES ACCIDENTELS.** Ne pas laisser le doigt sur l'interrupteur lorsqu'on transporte un outil branché.
6. **NE JAMAIS FORCER L'OUTIL.** Afin d'obtenir un rendement sûr et efficace, utiliser l'outil à son rendement nominal.
7. **UTILISER L'OUTIL APPROPRIÉ.** Se servir de l'outil selon l'usage prévu.
8. **NE PAS DÉPASSER SA PORTÉE.** Toujours demeurer dans une position stable et garder son équilibre.
9. **AVERTISSEMENT :** Afin d'éviter les risques de secousses électriques, utiliser l'outil seulement avec un cordon de rallonge conçu pour l'extérieur. Toujours brancher le cordon de rallonge sur une ligne pourvue de fusibles ou protégée par un disjoncteur.
10. **NE PAS MANIPULER LE CORDON DE FAÇON ABUSIVE.** Ne pas tirer sur le cordon pour le débrancher de la prise. Tenir le cordon loin des sources de chaleur, des flaques d'huile et des arêtes tranchantes.
11. Afin d'éviter le débranchement accidentel du **CORDON DE RALLONGE** pendant l'utilisation, se servir du dispositif de retenue du cordon de la façon décrite dans le présent guide.
12. **POUR ÉVITER D'ENDOMMAGER L'OUTIL**, l'arrêter immédiatement lorsqu'il frappe un objet ou qu'il s'enchevêtre dans un corps étranger. Débrancher l'outil, vérifier s'il est endommagé et le faire réparer avant de s'en servir de nouveau. Ne pas s'en servir lorsque la bobine ou le moyeu sont endommagés.
13. **POUR ÉVITER D'ENDOMMAGER LE CORDON**, l'éloigner du fil qui tourne. En cas de dommage, débrancher le cordon de la prise avant de déplacer l'outil ou d'examiner l'étendue des dommages. Remplacer le cordon endommagé.
14. **DÉBRANCHER L'OUTIL** lorsqu'il ne sert pas et avant de remplacer la bobine ou de nettoyer le moyeu.
15. **PORTER DES VÊTEMENTS APPROPRIÉS.** Ne jamais utiliser l'outil lorsqu'on est pieds nus ou que l'on porte des sandales. Toujours porter des chaussures fermées. Il est recommandé de porter des gants de caoutchouc et des chaussures à semelle antidérapante pour travailler à l'extérieur.
16. **ÉVITER LES MILIEUX DE TRAVAIL DANGEREUX.** Ne pas utiliser l'outil dans des endroits

GARANTIE COMPLÈTE DE DEUX ANS POUR UNE UTILISATION DOMESTIQUE

Black & Decker (É.-U.) Inc. garantit ce produit pour une durée de deux ans contre tout défaut de matériau ou de fabrication. Le produit défectueux sera remplacé ou réparé sans frais de l'une des deux façons suivantes :

La première façon consiste en un simple échange chez le détaillant qui l'a vendu (pourvu qu'il s'agisse d'un détaillant participant). Tout retour doit se faire durant la période correspondant à la politique d'échange du détaillant (habituellement, de 30 à 90 jours après l'achat). Une preuve d'achat peut être requise. Vérifier auprès du détaillant pour connaître sa politique concernant les retours hors de la période définie pour les échanges.

La deuxième option est d'apporter ou d'envoyer le produit (transport payé d'avance) à un centre de réparation autorisé ou à un centre de réparation de Black & Decker pour faire réparer ou échanger le produit, à notre discrétion. Une preuve d'achat peut être requise. Les centres Black & Decker et les centres de service autorisés sont répertoriés dans les pages jaunes, sous la rubrique « Outils électriques ».

Cette garantie ne s'applique pas aux accessoires. Cette garantie vous accorde des droits légaux spécifiques et vous pourriez avoir d'autres droits qui varient d'un État ou d'une province à l'autre. Pour toute question, communiquer avec le directeur du centre de réparation Black & Decker le plus près de chez vous. Ce produit n'est pas destiné à un usage commercial.

REEMPLACEMENT GRATUIT DES ÉTIQUETTES D'AVERTISSEMENT : si les étiquettes d'avertissement deviennent illisibles ou sont manquantes, composer le **1-800-544-6986** pour en obtenir le remplacement gratuit.

Imported by / Importé par
Black & Decker Canada Inc.
100 Central Ave.
Brockville (Ontario) K6V 5W6

Voir la rubrique “Outils électriques”
des Pages jaunes
pour le service et les ventes.



MANUAL DE INSTRUCCIONES

Catálogo N°: ST1000

Gracias por elegir Black & Decker!
Visite www.BlackandDecker.com/NewOwner
para registrar su nuevo producto.

LEA EL MANUAL ANTES DE DEVOLVER ESTE PRODUCTO POR CUALQUIER MOTIVO:

Si tiene una consulta o algún inconveniente con su producto Black & Decker, visite **[HTTP://WWW.BLACKANDDECKER.COM/INSTANTANSWERS](http://www.blackanddecker.com/instantanswers)** para obtener respuestas instantáneas las 24 horas del día.

Si no encuentra la respuesta o no tiene acceso a Internet, llame al 1-800-544-6986 de lunes a viernes de 8 a.m. a 5 p.m. hora del Este para hablar con un agente. Cuando llame, tenga a mano el número de catálogo.

CONSERVE ESTE MANUAL PARA FUTURAS CONSULTAS.

INSTRUCCIONES DE SEGURIDAD

⚠️ ADVERTENCIA: Parte del polvo originado por este producto contiene químicos que en el Estado de California se consideran como causantes de cáncer, defectos congénitos u otros daños reproductivos. Algunos ejemplos de estos químicos son:

- compuestos en fertilizantes
- compuestos en insecticidas, herbicidas y pesticidas
- arsénico y cromo de madera tratada químicamente

Para reducir su exposición a estos químicos, utilice equipo de seguridad aprobado como máscaras contra polvo diseñadas específicamente para filtrar partículas microscópicas.

⚠️ ADVERTENCIA: Este producto contiene químicos, incluyendo plomo, que en el Estado de California se consideran como causantes de cáncer y defectos congénitos u otros daños reproductivos. Lave sus manos después de manejarlo.

⚠️ PRECAUCIÓN: Emplee la protección personal y auditiva adecuada durante el uso de este producto. Bajo ciertas condiciones y duración de uso, el ruido producido por este producto puede contribuir a la pérdida auditiva.

⚠️ ADVERTENCIA: Siempre que emplee herramientas eléctricas, debe seguir ciertas medidas de precaucion para reducir los riesgos de incendio, choque eléctrico y lesiones. Entre estas medidas se encuentran las siguientes:

1. **ANTEOJOS DE SEGURIDAD** — Emplee siempre anteojos de seguridad cuando esté conectada la unidad.
2. **GUARDA** — No utilice esta herramienta sin la guarda colocada en su posición.
3. **LÍNEA DE NYLON** — Conserve cara, manos y pies alejados de la línea giratoria en todo momento. No se extienda más allá de la longitud indicada en este manual. Emplee pantalones largos para protegerse las piernas.
4. **CONSERVE ALEJADOS A LOS ESPECTADORES** — especialmente a los niños, a una distancia segura del área de trabajo.
5. **EVITE EL ENCENDIDO ACCIDENTAL** — No empuje la unidad con el dedo en el interruptor si está conectada.
6. **NO FUERCE LA HERRAMIENTA** — a una velocidad mayor a la que corta con eficacia.
7. **EMPLEE LA HERRAMIENTA ADECUADA** — No utilice esta herramienta en tareas para las que no fue diseñada.
8. **NO SALGA DE BALANCE** — Conserve siempre bien apoyados los pies así como el equilibrio.
9. **ADVERTENCIA** — Para evitar el riesgo de choque eléctrico, utilice solamente cordones de extensión adecuados para intemperie. Conecte siempre las extensiones a una línea protegida por un fusible o por un interruptor de circuito.
10. **NO MALTRATE EL CABLE** — No tire del cable para desconectarlo de la toma de corriente. Conserve alejado de objetos calientes, grasas y cantos afilados.
11. **CORDONES DE EXTENSIÓN** — Para evitar que el cordón eléctrico se desconecte al operar la unidad, utilice el sujetador como se describe en este manual.
12. **DAÑOS A LA UNIDAD** — Si golpea la unidad o ésta se atasca con algún objeto, apáguela inmediatamente, desconéctela y verifique si se produjeron daños. Si los hay, haga reparar la unidad antes de intentar volver a usarla. No la utilice si hay alguna pieza rota.
13. **DAÑOS AL CABLE** — Conserve alejado al cable de la línea giratoria. Si daña el cordón eléctrico, desconéctelo de la toma de corriente antes de mover la unidad o examinar el daño. El cable dañado debe reemplazarse antes de usar de nuevo la herramienta.
14. **DESCONECTE LA HERRAMIENTA** — Cuando no la use, cuando cambie la línea de nylon o antes de limpiar la unidad.
15. **VÍSTASE ADECUADAMENTE** — No utilice la herramienta si está descalzo o si calza sandalias descubiertas. Use siempre calzado con suela de goma.
16. **EVITE CONDICIONES AMBIENTALES PELIGROSAS** — No utilice herramientas eléctricas en lugares húmedos o inundados. Siga todas las instrucciones contenidas en este manual para el funcionamiento adecuado de su herramienta.
17. **NO UTILICE LA CORTADORA DE CÉSPED BAJO LA LLUVIA.**
18. **NO UTILICE** herramientas eléctricas portátiles en atmósferas gaseosas o explosivas. Los motores de estas herramientas producen chispas que pueden encender los gases.
19. **GUARDE LAS HERRAMIENTAS QUE NO EMPLÉE BAJO TECHO** — Las herramientas que no se emplean deben guardarse bajo techo en un lugar seco y bajo llave, lejos del alcance de los niños.
20. **LA LÍNEA GIRATORIA DESEMPEÑA UNA FUNCIÓN DE CORTE** — Tenga cuidado cuando corte alrededor de cercas y plantas.
21. **UTILICE ÚNICAMENTE LA LÍNEA DE REPUESTO RECOMENDADA** — No utilice línea más gruesa o de otro material, por ejemplo alambre de metal, línea para pescar o algún otro material similar.

GUARDE ESTAS INSTRUCCIONES

PAUTAS DE SEGURIDAD/DEFINICIONES

Es importante que lea y comprenda este manual. La información que contiene se relaciona con la protección de SU SEGURIDAD y la PREVENCIÓN DE PROBLEMAS. Los símbolos que siguen se utilizan para ayudarlo a reconocer esta información.

⚠️ PELIGRO: indica una situación de peligro inminente que, si no se evita, provocará la muerte o lesiones graves.

⚠️ ADVERTENCIA: indica una situación de peligro potencial que, si no se evita, provocará la muerte o lesiones graves.

⚠️ PRECAUCIÓN: indica una situación de peligro potencial que, si no se evita, provocará lesiones leves o moderadas.

PRECAUCIÓN: utilizado sin el símbolo de alerta de seguridad indica una situación de peligro potencial que, si no se evita, puede provocar daños en la propiedad.

UNA CARACTERÍSTICA IMPORTANTE PARA EL CONSUMIDOR

Su herramienta está DOBLEMENTE AISLADA y le brinda protección añadida. Esto significa que se ha fabricado de manera integral con dos “capas” separadas de aislamiento eléctrico entre usted y el sistema eléctrico que contiene.

Las herramientas que cuentan con este sistema de aislamiento no requieren conectarse a tierra. Como resultado, su unidad está equipada con una clavija de dos patas que puede conectarse a cualquier toma de corriente de 120 volts sin preocuparse por tener una conexión a tierra.

NOTA: EL DOBLE AISLAMIENTO no sustituye a las precauciones normales de seguridad cuando se opera esta herramienta. La finalidad de este sistema de aislamiento es ofrecer a usted protección añadida contra la lesión resultante de fallas en el aislamiento eléctrico interno de la herramienta.

PRECAUCIÓN: Cuando efectúe servicio a herramientas con doble aislamiento, UTILICE PARTES DE REEMPLAZO IDÉNTICAS. Repare o reemplace los cordones eléctricos dañados.

Clavija polarizada

Se emplean clavijas polarizadas (con una pata más ancha que la otra) para reducir los riesgos de choque eléctrico. Cuando el cordón eléctrico cuente con este tipo de clavija, ajustará en un contacto polarizado solamente de una manera. Si la clavija no ajusta completamente en su contacto, inviértala. Si aún así no ajusta, llame a un electricista calificado para que le instale un contacto polarizado apropiado. No modifique o haga cambios en la clavija por ningún motivo.

Cordones de extensión

Asegúrese que su cordón de extensión esté en buenas condiciones. Cuando emplee una extensión asegúrese que tenga el calibre adecuado por seguridad y para evitar pérdidas de potencia y sobrecalentamiento. La tabla muestra el calibre correcto que debe utilizarse de acuerdo con la longitud y el amperaje indicado en la placa de identificación de la herramienta. Si tiene dudas, utilice el calibre siguiente. Mientras más pequeño sea el número del calibre, mayor será éste.

Volts	Calibre mínimo para cables de extensión			
	Longitud total del cable en pies			
120V	0-25	26-50	51-100	101-150
	(0-7,6m)	(7,6-15,2m)	(15,2-30,4m)	(30,4-45,7m)
240V	0-50	51-100	101-200	201-300
	(0-15,2m)	(15,2-30,4m)	(30,4-60,9m)	(60,9-91,4m)
Amperaje		American Wire Gage		
	Más de	No más de		
0	- 6	18	16	14
6	- 10	18	16	12
10	- 12	16	16	12
12	- 16	14	12	No se recomienda

Instrucciones de Ensamblaje

- Coloque las secciones como se muestra.
- Sujete la sección central tomándola del grabado mientras ensambla cada extremo.
- Empuje las secciones con firmeza para unir las.
- Coloque los tornillos y las tuercas. Los tornillos no pueden apretarse si las partes están ensambladas incorrectamente.

Cómo utilizar su orillador Black & Decker

COLOCACIÓN DEL CORDÓN DE EXTENSIÓN EN LA HERRAMIENTA: (DESCONECTE EL CORDÓN ELÉCTRICO DEL CORTADOR)

La empuñadura cuenta con un retén para el cordón de extensión que evita que salga de su posición. Para usar este retén, simplemente doble el cable, como se indica en la figura 1, a una distancia aproximada de 30 cm de la terminal hembra. Oprima el botón del seguro, ilustrado en la figura, e introduzca el cable tanto como sea posible. Con el cordón sujeto en su posición, libere el botón del seguro y el cable quedará fijo. Para retirar el cordón eléctrico, desconecte la terminal de la empuñadura, oprima el botón del seguro y tire del cable.

Técnicas de corte y notas sobre el funcionamiento

Se requiere una técnica adecuada para obtener máximo rendimiento y facilidad en el manejo.

PRECAUCIÓN: Revise el área que vaya a arreglar y retire alambres, cordones u otros objetos similares que pudieran atascar el rotor o la línea. Sea particularmente cuidadoso con los alam bres doblados que sobresalgan al paso de la herramienta, como las púas de la base de las mallas de alambre.Incline la unidad ligeramente en relación con la superficie que va a cortar (figura 2). Baje la unidad lentamente sobre la superficie que va a cortar. (Si la altura pasa de 20 cm, comience a cortar desde la punta.) Balancee lentamente la unidad sobre la superficie que va a cortar, conservándola a la altura deseada.

IMPORTANTE — Para obtener la mejor acción de corte cerca de muros y cercas, y en céspedes muy crecidos, mueva con lentitud la herramienta de modo que el césped se corte **CON LA PUNTA** de la línea de nylon.

1. Evite hacer funcionar al orillador con el rotor en contacto con la tierra.
2. **Corte solamente cuando el césped o la hierba estén secos.**
3. La duración de la línea de nylon depende de que siga usted las técnicas de corte descritas y, además, de lo que corte y del sitio en que lo corte.

EJEMPLO: La línea se desgastará más pronto si se trabaja contra un muro de mampostería, en comparación con lo que sucede si se trabaja alrededor de un árbol. Puede ocurrir que la línea se rompa si se alimenta muy rápidamente la unidad, ocurre atascadura con objetos extraños, se fatiga del material o se intentan cortar hierbas muy gruesas, pues se excedería la capacidad de la herramienta.

NOTA: La tendencia de la línea a romperse aumenta conforme es más fría la temperatura ambiental.

NO SE UTILICE CUANDO LA TEMPERATURA ES INFERIOR A 10 °C (50 °F).

4. Para mejores resultados, alargue la línea conforme se vaya desgastando, como se indica en “Procedimientos de alimentación de la línea.”
5. **Desconecte periódicamente la unidad y quite el césped y otros desperdicios** que se hayan acumulado en el interior de la cubierta de la tapa de contacto, ilustrada en la figura 3.

Procedimientos de alimentación de la línea

Para aumentar la longitud de la línea, aplique un ligero golpe a la tapa de contacto contra el césped mientras la cortadora está funcionando. Este procedimiento alimentará automáticamente la línea a su longitud correcta. Se debe hacer un movimiento firme, pero con suavidad, en el momento de golpear la tapa de contacto. Es necesario inclinar ligeramente la unidad a fin de prevenir que la guarda toque la tierra. Esta operación se puede repetir tantas veces como sean necesarias. Si la herramienta falla en el momento de alimentar la línea, desconéctela y limpie la tapa de contacto (ver figura 3).

Instalación del carrete y recuperación de segmentos de línea rotos dentro del carrete

1. Desconecte el cable de extensión de la herramienta.
2. Para quitar la cubierta de la tapa de contacto, tire de ella y oprima las dos orejas de liberación a los lados del rotor (figura 4).**NOTA:** Puede ser necesario que oprima las orejas de una en una para quitar la cubierta.**NOTA:** La línea de nylon es muy elástica, lo que puede hacer difícil sujetarla.
3. Retire cualquier fragmento de línea, embobine la porción restante y coloque el carrete de nuevo de la siguiente forma:
 - a. Enrolle la línea lo suficientemente apretada para que quede por debajo de las orillas

