



7.2 Volt Multi-Purpose Saw

INSTRUCTION MANUAL

Catalog Number VP650

BEFORE RETURNING THIS PRODUCT FOR ANY REASON PLEASE CALL

1-800-54-HOW-TO (544-6986)

IF YOU SHOULD EXPERIENCE A PROBLEM WITH YOUR BLACK & DECKER PURCHASE, CALL 1-800-54-HOW-TO (1-800-544-6986). IN MOST CASES, A BLACK & DECKER REPRESENTATIVE CAN RESOLVE YOUR PROBLEM OVER THE PHONE. IF YOU HAVE A SUGGESTION OR COMMENT, GIVE US A CALL. YOUR FEEDBACK IS VITAL TO THE SUCCESS OF BLACK & DECKER'S QUALITY IMPROVEMENT PROGRAM.

KEY INFORMATION YOU SHOULD KNOW:

- Charge batteries before first use.
- Charger may hum; batteries or charger may become warm while charging (batteries and charger sold separately).
- Cutting shoe must be firmly against surface.
- Press lock-off switch before attempting to pull trigger.

SAVE THIS MANUAL FOR FUTURE REFERENCE.

VEA EL ESPAÑOL EN LA CONTRAPORTADA.

INSTRUCTIVO DE OPERACIÓN, CENTROS DE SERVICIO Y PÓLIZA DE GARANTÍA. ADVERTENCIA: LÉASE ESTE INSTRUCTIVO ANTES DE USAR EL PRODUCTO.



Cat. No. VP650 Form No. 380852-03 (OCT 99-1) Copyright © 1999 Black & Decker Printed in U.S.A.

WARNING: IMPORTANT SAFETY WARNINGS AND INSTRUCTIONS

TO REDUCE RISK OF INJURY:

- Before any use, be sure everyone using this tool reads and understands all safety instructions and other information contained in this manual.
- Save these instructions and review frequently prior to use and in instructing others.

WARNING: When using electric tools, basic safety precautions should always be followed to reduce risk of fire, electric shock, and personal injury, including the following.

READ ALL INSTRUCTIONS

GENERAL SAFETY WARNINGS AND INSTRUCTIONS FOR ALL TOOLS

- **KEEP WORK AREA CLEAN.** Cluttered areas and benches invite injuries.
- **CONSIDER WORK AREA ENVIRONMENT.** Don't expose power tools to rain. Don't use power tools in damp or wet locations. Keep work area well lit. Do not use in presence of flammable liquids or gases. Motors in these tools normally spark, and the sparks may ignite the fumes.
- **GUARD AGAINST ELECTRIC SHOCK.** Prevent body contact with grounded surfaces. For example: pipes, radiators, ranges, refrigerator enclosures. Use extreme caution when drilling, driving, or cutting into walls, floors, ceilings or other areas or wherever live electrical wires may be contacted, do not touch any metal parts of the tool. Hold the tools only by the plastic handle to prevent electric shock.
- **KEEP CHILDREN AWAY.** Do not let children and visitors contact tool or extension cord. All children and visitors should be kept away from work area.
- **STORE IDLE TOOLS.** When not in use, tools should be stored in dry, and high or locked-up place—out of reach of children.
- **DON'T FORCE TOOL.** It will do the job better and safer at the rate for which it was intended.
- **USE RIGHT TOOL.** Don't force small tool or attachment to do the job of a heavy-duty tool. Don't use tool for purposes not intended.
- **DRESS PROPERLY.** Do not wear loose clothing or jewelry. They can be caught in moving parts. Rubber gloves and non-skid footwear are recommended when working outdoors. Wear protective hair covering to contain long hair.
- **USE SAFETY GLASSES AND OTHER SAFETY EQUIPMENT.** Use safety goggles or safety glasses with side shields, complying with applicable safety standards and, when needed, a face shield. Also use face or dust mask if cutting operation is dusty. This applies to all persons in the work area. Also use a hard hat, hearing protection, gloves, safety shoes and dust collection systems when specified or required.
- **DON'T ABUSE CORD.** Never carry tool by cord or yank it to disconnect from receptacle. Keep cord from heat, oil, and sharp edges.
- **SECURE WORK.** Use clamps or a vise to hold work. It's safer than using your hand and it frees both hands to operate tool.
- **DON'T OVERREACH.** Keep proper footing and balance at all times.
- **MAINTAIN TOOLS WITH CARE.** Keep tools sharp and clean for better and safer performance. Follow instructions for lubricating and changing accessories. Inspect tool cords periodically and if damaged, have repaired by authorized service facility. Inspect extension cords periodically and replace if damaged. Keep handles dry, clean, and free from oil and grease.
- **DISCONNECT TOOLS.** Unplug the tool when not in use, when moving tool from place to place, before servicing, and when changing accessories (such as blades, bits, cutters) or making adjustments.
- **REMOVE ADJUSTING KEYS AND WRENCHES.** Form habit of checking to see that keys and adjusting wrenches are removed from tool before turning it on.
- **AVOID UNINTENTIONAL STARTING.** Don't carry tool with finger on switch. Be sure switch is off when plugging in.
- **STAY ALERT.** Watch what you are doing. Use common sense. Do not operate tool when you are tired or otherwise impaired.
- **CHECK DAMAGED PARTS.** Before further use of the tool, a guard or other part that is damaged should be carefully checked to determine that it will operate properly and perform its intended function. Check for alignment of moving parts, binding of moving parts, breakage of parts, mounting, and any other conditions that may affect its operation. A guard or other part that is damaged should be properly repaired or replaced by an authorized service center. Do not use tool if switch does not turn it on and off.
- **REPAIRS AND SERVICE.** Repairs, maintenance and any adjustments not specified in this manual should be performed by Black & Decker authorized service centers or other qualified service organizations, always using identical replacement parts.

- **USE OF ACCESSORIES AND ATTACHMENTS.** The use of any accessory or attachment not recommended for use with the tool could be hazardous. Note: Refer to the accessory section of this manual for further details.

Important Safety Instructions (For Battery and Charger)

- Do not store or carry battery so that metal objects can contact exposed metal end shown in Figure 1. For example, do not place battery in aprons, pockets, tool boxes, drawers etc. with loose nails, screws, keys, etc. without battery cap. Battery could short circuit causing fire or burns or damage to battery.



- Battery caps are provided for use when carrying batteries or while battery is stored in a pocket, tool box, etc. Remove cap before placing battery in charger or tool (see Figure 2).



- Never attempt to open the battery for any reason. If the housing of the battery breaks or cracks, immediately discontinue use and do not recharge.
- Do not incinerate the batteries. They can explode in a fire. A small leakage of liquid from the battery cells may occur under extreme usage, charging or temperature conditions. This does not indicate a failure. However, if the outer seal is broken and this leakage gets on your skin:
 - Wash quickly with soap and water.
 - Neutralize with a mild acid such as lemon juice or vinegar.
 - If the battery liquid gets in your eyes, flush them with clean water for a minimum of 10 minutes and seek immediate medical attention.

MEDICAL NOTE: The liquid is a 25-35% solution of potassium hydroxide.

- Charge batteries only with VersaPak battery charger.
- Do not use charger in wet or damp conditions. It is intended for indoor use only. Do not use near sinks, tubs, or the like. Do not immerse in water.
- Do not use charger for any uses other than charging VersaPak batteries. Other batteries may explode.
- Do not operate charger with damaged cord or plug — have them replaced immediately.
- Do not operate charger if it has received a sharp blow, been dropped, or otherwise damaged in any way; take it to a qualified Black & Decker service center.
- Do not disassemble charger; take it to a qualified Black & Decker service center when service or repair is required. Incorrect reassembly may result in risk of electric shock or fire. There are no consumer serviceable parts inside.
- For best results, do not charge batteries when they or air temperature is BELOW +40°F or ABOVE +105°F.
- The charger is designed to operate on standard household electrical power. Do not attempt to use it on any other voltage. Be sure your power supply agrees with the nameplate marking.
- Unplug charger when not in use.
- Do not abuse charger cord. To reduce the risk of damage to electric plug and cord, never carry charger by cord or yank it to disconnect from receptacle. Keep charger cord from heat, oil, and sharp edges.
- Use only charger supplied by the manufacturer to recharge.

Important Charging Notes

- While charging, the charger transformer may hum and batteries and charger become warm. This is a normal condition and does not indicate a problem.
- If a battery does not charge properly— (1) Check current at receptacle by plugging in a lamp or other appliance. (2) Check to see if receptacle is connected to a light switch which turns power off when you turn out the lights. (3) Move charger and batteries to a surrounding air temperature of +40°F to +105°F. (4) If the receptacle and temperature are OK, and you do not get proper charging, take or send the batteries and charger to your local Black & Decker service center. See "Tools Electric" in yellow pages.
- The batteries should be recharged when they fail to produce sufficient power on jobs which were easily done previously. DO NOT CONTINUE to use the tool with its batteries in a depleted condition.
- Before using battery charger, read all instructions and cautionary markings on battery charger, battery and product using battery.

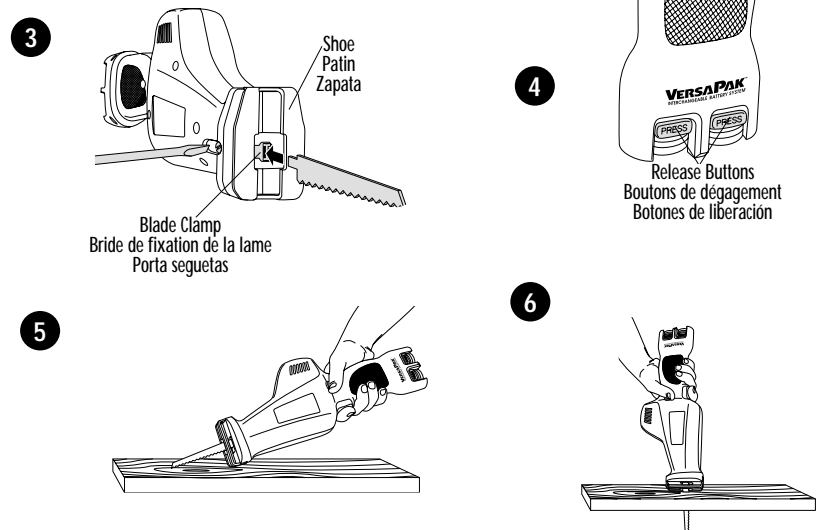
CAUTION: To reduce the risk of injury, charge only nickel cadmium rechargeable batteries. Other types of batteries may burst causing personal injury and damage.

SAVE THESE INSTRUCTIONS

Charging Procedure

Insert the metal end of the VersaPak battery into the charger. The indicator light will glow indicating that charging is taking place and will remain on as long as the battery is in the charger. Continuous charging is not a safety concern.

NOTE: VersaPak batteries are sent from the factory in an uncharged condition. Before attempting to use them for the first time, they must be charged for 6 hours. Subsequent charging for most fix up jobs will require 3-6 hours.



SAFETY WARNINGS AND INSTRUCTIONS: SAWS

- **KEEP HANDS AWAY** from cutting areas. Never reach underneath the material for any reason.
- **USE SHARP BLADES ONLY.** Dull blades may break or cause the saw to swerve or stall under pressure.
 - **CAUTION:** Some wood contains preservatives such as copper chromium arsenate (CCA) which can be toxic. When cutting these materials extra care should be taken to avoid inhalation and minimize skin contact.
 - **CAUTION:** When sawing into walls, floors or wherever live electrical wires may be encountered, DO NOT TOUCH ANY METAL PARTS OF THE TOOL! Hold the tool only by insulated grasping surfaces to prevent electric shock if you saw into a live wire.
- Do not touch the workpiece or the blade immediately after operating the tool. They can become very hot.
- Always clamp the workpiece.
- Tighten blade clamp before each use.
 - **WARNING:** Use of this tool can generate dust containing chemicals known to cause cancer, birth defects or other reproductive harm. Use appropriate respiratory protection.

ASSEMBLY/ ADJUSTMENT SET-UP

WARNING: Always remove batteries from saw before any of the following operations.

BLADE INSTALLATION

Loosen the blade clamp screw by turning it counterclockwise with a screwdriver, (Fig. 3). Insert the saw blade all the way, as shown, and tighten the screw. NOTE: Be sure to install the blade on the LEFT side of the clamp. Do not force the blade into the right side of the clamp..

OPERATING INSTRUCTIONS

REMOVING AND INSTALLING THE BATTERIES

NOTE: VERSAPAK™ BATTERIES ARE NOT FULLY CHARGED AT THE FACTORY.

- To install the batteries into the tool, slide them into the handle until they click into place.
- To remove the VersaPak™ batteries from the tool, press the release buttons, as shown in Fig. 4, and pull the batteries out of the tool handle. Note: Battery caps are provided for use when carrying batteries or while battery is stored in a pocket, tool box, etc. Remove cap before placing battery in charger or tool.

Install the battery cap, (see Fig. 2), by snapping it in place. To remove the cap, simply pull it off. **Note:** Only operate tool with both VersaPak™ batteries installed.

SWITCH

The tool is equipped with a switch lock-off feature to prevent unintentional running. To operate the tool, slide the switch lock-off button and hold it as you pull the trigger. After the tool is running, release the switch lock-off button. The tool will continue to run as long as the trigger is depressed.

To turn off, release the trigger switch. There is no provision for locking the tool on.

WOOD CUTTING

Ensure shoe is against the surface of the board. Don't attempt to turn unit on when blade is against material to be cut. This could stall the motor. Place shoe on material to be cut and hold tool shoe firmly against the wood while cutting. Don't force the tool; let the blade cut at its own speed. Whenever possible, clamp or support work close to the line of cut. When the cut is completed, release the trigger, and lay the tool aside before loosening the work.

METAL AND PLASTIC CUTTING

In cutting thin gauge sheet metals, it is best to clamp wood or plywood to the bottom of the metal sheet; this will insure a clean cut without the danger of vibration or tearing of metal. **NOTE:** When cutting metal piping, do not cut directly through the pipe as you would saw a wooden dowel. Instead, cut around the circumference of the pipe to avoid pinching the blade. Only one section of the blade should be in contact with the pipe.

POCKET CUTTING (SEE FIGS. 5 AND 6)

Pocket cutting is used to cut a hole in a piece of material without cutting from the side.

- Tilt saw forward and rest front of the shoe on material to be cut. Align so that cut will begin at the back of the drawn rectangle.
- Switch the tool on. Grip the handle firmly and raise the back edge of tool until the blade cuts smoothly into the material. Always be sure blade reaches its complete depth before starting to cut.
- When the shoe rests flat on the material being cut, complete the cut in forward direction.
- Allow the blade to come to a complete stop before lifting saw from material.
- When starting each new cut, repeat the above steps.

TREE TRIMMING

Use a coarse blade when cutting tree limbs. Hold shoe firmly against tree branch. If possible, cut close to the trunk to minimize movement of the branch.

MAINTENANCE

Use only mild soap and damp cloth to clean the tool. Never let any liquid get inside the tool; never immerse any part of the tool into a liquid. **IMPORTANT:** To assure product SAFETY and RELIABILITY, repairs, maintenance and adjustment should be performed by authorized service centers or other qualified service organizations, always using identical replacement parts.

THE RBRC™ SEAL

The RBRC™ (Rechargeable Battery Recycling Corporation) Seal on the nickel-cadmium battery (or battery pack) indicates that the costs to recycle the battery (or battery pack) at the end of its useful life have already been paid by Black & Decker. In some areas, it is illegal to place spent nickel-cadmium batteries in the trash or municipal solid waste stream and the RBRC program provides an environmentally conscious alternative.

RBRC in cooperation with Black & Decker and other battery users, has established programs in the United States and Canada to facilitate the collection of spent nickel-cadmium batteries. Help protect our environment and conserve natural resources by returning the spent nickel-cadmium battery to an authorized Black & Decker service center or to your local retailer for recycling. You may also contact your local recycling center for information on where to drop off the spent battery, or call 1-800-8-BATTERY.



ACCESSORIES

Recommended accessories for use with your tool are available from your local dealer or authorized service center. If you need assistance regarding accessories, please call: 1-800-54-HOW-TO (544-6986).

⚠ WARNING: The use of any accessory not recommended for use with this tool could be hazardous.

SERVICE INFORMATION

Black & Decker offers a full network of company-owned and authorized service locations throughout North America. All Black & Decker Service Centers are staffed with trained personnel to provide customers with efficient and reliable power tool service.

Whether you need technical advice, repair, or genuine factory replacement parts, contact the Black & Decker location nearest you. To find your local service location, refer to the yellow page directory under "Tools—Electric" or call: 1-800-54-HOW TO (544-6986).

FULL TWO-YEAR HOME USE WARRANTY

Black & Decker (U.S.) Inc. warrants this product for two years against any defects in material or workmanship. The defective product will be replaced or repaired at no charge in either of two ways.

The first, which will result in exchanges only, is to return the product to the retailer from whom it was purchased (provided that the store is a participating retailer). Returns should be made within the time period of the retailer's policy for exchanges (usually 30 to 90 days after the sale). Proof of purchase may be required. Please check with the retailer for their specific return policy regarding returns that are beyond the time set for exchanges.

The second option is to take or send the product (prepaid) to a Black & Decker owned or authorized Service Center for repair or replacement at our option. Proof of purchase may be required. Black & Decker owned and authorized Service Centers are listed under "Tools-Electric" in the yellow pages of the phone directory. This warranty does not apply to accessories. This warranty gives you specific legal rights and you may have other rights which vary from state to state and province to province. Should you have any questions, contact the manager of your nearest Black & Decker Service Center. This product is not intended for commercial use.

Imported by
Black & Decker (U.S.) Inc.,
701 E. Joppa Rd.
Towson, MD 21286 U.S.A.



See 'Tools-Electric'
— Yellow Pages —
for Service & Sales



AVANT DE RETOURNER LE PRODUIT, PEU IMPORTE LA RAISON PRIÈRE DE COMPOSER

1 800 544-6986

RENSEIGNEMENTS IMPORTANTS

- Charger l'ensemble de piles avant la première utilisation.
- Le chargeur peut émettre des sons pendant le chargement et le chargeur ainsi que l'ensemble de piles peuvent devenir chauds au toucher (l'ensemble de piles et le chargeur sont vendus séparément).
- Le patin de coupe doit reposer fermement contre la surface.
- Dégager le bouton de verrouillage en position hors tension avant d'enforcer la détente.

⚠ AVERTISSEMENT : IMPORTANTES MESURES DE SÉCURITÉ

AFIN DE RÉDUIRE LES RISQUES DE BLESSURES :

- Avant toute utilisation, s'assurer que tous ceux qui se servent de l'outil lisent et comprennent toutes les mesures de sécurité et tout autre renseignement contenu dans le présent guide.
- Conserver ces mesures et les relire fréquemment avant d'utiliser l'outil et d'en expliquer le fonctionnement à d'autres personnes.
- **⚠ AVERTISSEMENT :** Afin de réduire les risques d'incendie, de secousses électriques ou de blessures lorsqu'on utilise des outils électriques, il faut toujours respecter les mesures de sécurité suivantes.

LIRE TOUTES LES DIRECTIVES.

⚠ MESURES DE SÉCURITÉ POUR TOUS LES OUTILS

- **BIEN DÉGAGER LA SURFACE DE TRAVAIL.** Des surfaces et des établis encombrés peuvent être la cause de blessures.
- **TENIR COMPTE DU MILIEU DE TRAVAIL.** Protéger les outils électriques de la pluie. Ne pas s'en servir dans des endroits humides ou mouillés. Bien éclairer la surface de travail. Ne pas se servir de l'outil en présence de liquides ou de vapeurs inflammables. En effet, le moteur de tels outils génère habituellement des étincelles et celles-ci peuvent enflammer les vapeurs.
- **SE PROTÉGER CONTRE LES SECOUSSES ÉLECTRIQUES.** Éviter tout contact avec des objets mis à la terre, comme des tuyaux, radiateurs, cuisinières, réfrigérateurs et autres objets du genre. Prendre soin lorsqu'on perce, visse ou coupe des murs, planchers, plafonds ou autres endroits qui pourraient cacher des fils électriques sous tension. Ne pas toucher aux composants métalliques de l'outil. Saisir celui-ci seulement par sa poignée en plastique afin d'éviter les secousses électriques.
- **ÉLOIGNER LES ENFANTS.** Tous les visiteurs doivent être tenus à l'écart de l'aire de travail et il faut les empêcher de toucher à l'outil ou au cordon de rallonge.
- **RANGER LES OUTILS INUTILISÉS.** Il faut ranger les outils dans un endroit sec, situé en hauteur ou fermé à clé, hors de la portée des enfants.
- **NE JAMAIS FORCER L'OUTIL.** Afin d'obtenir un rendement sûr et efficace, utiliser l'outil à son rendement nominal.
- **UTILISER L'OUTIL APPROPRIÉ.** Ne jamais exiger d'un petit outil ou d'un accessoire le rendement d'un outil de fabrication plus robuste. Se servir de l'outil selon l'usage prévu.
- **PORTER DES VÊTEMENTS APPROPRIÉS.** Éviter de porter des vêtements amples et des bijoux qui peuvent être happés par les pièces en mouvement. Porter des gants de caoutchouc et des chaussures à semelle antidérapante pour travailler à l'extérieur. Protéger la chevelure si elle est longue.
- **PORTER DES LUNETTES DE SÉCURITÉ ET AUTRE ÉQUIPEMENT DE SÉCURITÉ.** Porter des lunettes de protection ou de sécurité à écrans latéraux, conformément aux normes de sécurité appropriées, et, au besoin, un écran facial. Porter également un masque respiratoire si le travail de coupe produit de la poussière. La présente mesure vaut pour toute personne dans la zone de travail. Il faut également porter un casque, des protège-tympans, des gants et des chaussures de sécurité ainsi qu'utiliser des systèmes de dépoussiérage lorsque spécifié ou exigé.
- **NE PAS MANIPULER LE CORDON DE FAÇON ABUSIVE.** Ne pas transporter l'outil par le cordon ni tirer sur ce dernier pour le débrancher de la prise. Éloigner le cordon des sources de chaleur, des flaques d'huile et des arêtes tranchantes.
- **ASSUJETTIR LA PIÈCE.** Immobiliser la pièce à l'aide de brides ou d'un étai. On peut alors se servir des deux mains pour faire fonctionner l'outil, ce qui est plus sûr.
- **NE PAS DÉPASSER SA PORTÉE.** Toujours demeurer dans une position stable et garder son équilibre.
- **PRENDRE SOIN DES OUTILS.** Conserver les outils propres pour qu'ils donnent un rendement supérieur et sûr. Suivre les directives concernant la lubrification et le remplacement des accessoires. Inspecter régulièrement le cordon de l'outil et le faire réparer au besoin à un atelier d'entretien autorisé. Inspecter régulièrement les cordons de rallonge et les remplacer lorsqu'ils sont endommagés. S'assurer que les poignées sont toujours propres, sèches et libres de toute tache d'huile ou de graisse.
- **DÉBRANCHER LES OUTILS.** Débrancher l'outil lorsqu'on ne s'en sert pas, qu'on doit le déplacer d'un endroit à un autre et qu'on doit le réparer, en changer un accessoire (comme une lame, un foret ou un couteau) ou le régler.
- **ENLEVER LES CLÉS DE RÉGLAGE.** Prendre l'habitude de vérifier si les clés de réglage ont été retirées avant de faire démarrer l'outil.
- **ÉVITER LES DÉMARRAGES ACCIDENTELS.** Ne pas laisser le doigt sur l'interrupteur lorsqu'on transporte l'outil. S'assurer que l'interrupteur est à la position hors circuit lorsqu'on branche l'outil.
- **DEMEURER VIGILANT.** Travailler avec vigilance et faire preuve de bon sens. Ne pas se servir de l'outil lorsqu'on est fatigué ou autrement affaibli.
- **VÉRIFIER LES PIÈCES ENDOMMAGÉES.** Avant de continuer à utiliser l'outil, il faut vérifier si le protecteur ou toute autre pièce endommagée remplit bien la fonction pour laquelle il a été prévu. Vérifier l'alignement et les attaches des pièces mobiles, le degré d'usure des pièces et leur montage, ainsi que tout autre facteur susceptible de nuire au bon fonctionnement de l'outil. Faire réparer ou remplacer tout protecteur ou toute autre pièce endommagée dans un centre de service autorisé. Ne jamais se servir d'un outil dont l'interrupteur est défectueux.
- **RÉPARATIONS ET ENTRETIEN.** Confier l'outil à un centre de service Black & Decker autorisés ou à tout autre atelier d'entretien qualifié utilisant toujours des pièces de rechange identiques lorsqu'il doit subir des réparations ainsi que des travaux d'entretien ou de réglage qui ne sont pas spécifiés dans le présent guide.
- **ACCESSOIRES.** L'utilisation d'accessoires non recommandé pour l'outil peut être dangereuse. Note : Consulter la rubrique relative aux accessoires du présent guide pour obtenir de plus amples renseignements à ce sujet.

CONSIGNES DE SÉCURITÉ ET DIRECTIVES - SCIES

- GARDER les mains ÉLOIGNÉES des zones de coupe; ne jamais mettre les mains sous l'ouvrage pour quelle que raison que ce soit.
- N'UTILISER QUE DES LAMES AIGUISÉES; les lames usées peuvent se briser, faire dévier la scie ou faire caler le moteur lorsqu'on exerce une pression sur l'outil.
 - **⚠ MISE EN GARDE :** certains bois renferment des agents de conservation (comme de l'arséniate de cuivre et de chrome) qui peuvent être toxiques. Lorsqu'on ponce de tels matériaux, on doit prendre des précautions supplémentaires afin d'éviter d'inhaler les vapeurs toxiques et de minimiser les contacts avec la peau.
 - **⚠ MISE EN GARDE :** lorsqu'on scie dans les murs, les planchers ou les endroits où la scie risque d'entrer en contact avec des fils cachés, il faut ÉVITER DE TOUCHER LES PIÈCES MÉTALLIQUES DE L'OUTIL! Tenir l'outil par les surfaces isolées prévues à cette fin lorsqu'il risque d'entrer en contact avec des fils cachés, car de tels contacts peuvent mettre les pièces métalliques de l'outil sous tension, engendrant des risques de choc électrique.
- Ne pas toucher l'ouvrage ni la lame immédiatement après avoir utilisé l'outil; ces derniers peuvent devenir très chauds.
- Toujours fixer solidement l'ouvrage.
- Serrer la bride de serrage de la lame avant chaque utilisation.
- **AVERTISSEMENT :** puisque cet outil peut soulever de la poussière contenant des produits chimiques susceptibles d'entraîner le cancer, des malformations congénitales ou pouvant être nocifs sur le plan reproductif, on recommande le port d'un appareil de protection respiratoire approprié.

⚠ IMPORTANTES MESURES DE SÉCURITÉ (POUR LA PILE ET LE CHARGEUR)

⚠ AVERTISSEMENT : Afin de réduire les risques d'incendie, de secousses électriques ou de blessures lorsqu'on utilise des outils électriques, il faut toujours respecter les mesures de sécurité suivantes.

LIRE TOUTES LES DIRECTIVES.

- Ne pas ranger ni transporter des piles de rechange de sorte que d'autres objets métalliques puissent entrer en contact avec l'extrémité métallique illustrée à la figure 1. Ainsi, il ne faut pas, par exemple, placer des piles dépourvues de bouchon dans des coffrets à outils, dans des poches, dans des tabliers ou dans des tiroirs renfermant des clous, des vis ou des clés. Les piles peuvent être court-circuitées; ce qui présente des risques de dommages à la pile, de blessures ou d'incendie.
- La pile est fournie avec un bouchon qui devrait être utilisé lorsqu'on la transporte ou qu'on la range dans une poche, dans un coffre ou ailleurs. Retirer le bouchon avant d'insérer la pile dans le chargeur ou dans l'outil (fig. 2).
- Ne pas essayer d'ouvrir la pile pour quelque raison que ce soit. Si la pile est craquée ou endommagée, cesser l'utilisation immédiatement et ne pas la recharger.
- Ne pas incinérer les piles. La chaleur des flammes peut les faire exploser. Il peut se produire une légère fuite du liquide excitateur des piles dans des conditions d'utilisation et de chargement difficiles ou en cas de température extrême. Une telle fuite ne serait pas nécessairement un signe de panne. Toutefois, si ce liquide s'échappe par une rupture du joint étanche du boîtier et atteint la peau, il faut :
 - a. laver immédiatement à l'eau et au savon;
 - b. neutraliser à l'aide d'un acide doux (comme du jus de citron ou du vinaigre);
 - c. si le liquide excitateur atteint les yeux, il faut rincer à l'eau claire pendant au moins dix minutes et consulter immédiatement un médecin.
- **AVIS AU MÉDECIN :** Le liquide excitateur est une solution d'hydrogène de potassium à 25-35 p. 100.
- Charger la pile uniquement dans un chargeur VersaPak.
- Ne pas se servir du chargeur dans des conditions humides ou mouillées. Le chargeur est conçu pour être utilisé à l'intérieur seulement. Ne pas s'en servir près d'éviers, de lavabos, de baignoires ou autres endroits du genre. Ne pas immerger.
- Le chargeur est conçu seulement pour alimenter des piles VersaPak. Son utilisation avec d'autres piles présente des risques d'explosion.
- Ne pas utiliser un chargeur dont la fiche ou le cordon sont endommagés. Les faire réparer sans tarder.
- Ne pas se servir d'un chargeur qui a reçu un coup brusque, qui est tombé ou qui a été endommagé. En confier la réparation à un centre de service Black & Decker autorisé.
- Ne pas démonter le chargeur. En confier la réparation et l'entretien à un centre de service Black & Decker autorisé. Le remontage incorrect présente des risques de secousses électriques ou d'incendie. L'utilisateur ne peut remplacer aucune pièce à l'intérieur du produit.
- Afin d'optimiser le rendement, ne pas charger les piles lorsque leur température ou celle de l'air ambiant est INFÉRIEURE à 5 °C (40 °F) ou SUPÉRIEURE à 40 °C (105 °F).
- Le chargeur est conçu pour fonctionner sur une alimentation domestique standard (120 volts c.a. seulement). Ne pas tenter de s'en servir sur toute autre tension.
- Débrancher le chargeur lorsqu'il ne sert pas.
- Manipuler le cordon du chargeur avec soin. Il vaut mieux tirer sur la fiche que sur le cordon pour débrancher

le chargeur afin de minimiser les risques de dommages à la fiche et au cordon. Éloigner le cordon du chargeur des sources de chaleur, des flaques d'huile et des arêtes tranchantes.

- Utiliser seulement le chargeur fourni par le fabricant.

NOTES IMPORTANTES RELATIVES AU CHARGEMENT

- Le chargeur peut émettre des sons et les piles ainsi que le chargeur peuvent devenir chauds au toucher pendant le chargement. Cette situation est normale et ne pose aucun problème.
- Lorsque la pile n'est pas bien chargée (1) vérifier l'alimentation de la prise en y branchant une lampe ou un autre appareil, (2) vérifier si la prise est reliée à un interrupteur pour l'éclairage qui met la prise hors circuit lorsqu'on éteint les lumières, (3) déplacer l'ensemble de piles et le chargeur dans une pièce où la température ambiante se situe entre 5 °C et 40 °C (40 °F et 105 °F), (4) si le problème persiste, il faut confier la pile et le chargeur au centre de service de la région. Consulter la rubrique «Outils électriques» des Pages Jaunes.
- Il faut charger les piles lorsqu'elles ne fournissent plus la puissance nécessaire pour effectuer les tâches avec autant de facilité qu'auparavant. NE PLUS SE SERVIR de l'outil lorsque les piles sont à plat.


CHARGEMENT

Insérer l'extrémité métallique de la pile VersaPak dans le chargeur. Le témoin s'allume pour indiquer que le chargement a lieu et le témoin reste allumé tant que la pile se trouve dans le chargeur. Le chargement continu de la pile ne pose aucun problème.

NOTE : Les piles VersaPak ne sont pas chargées en usine. Il faut les charger pendant 6 heures avant la première utilisation. Par la suite, le chargement prend de 3 à 6 heures pour effectuer la plupart des tâches.

ASSEMBLAGE / RÉGLAGE

ASSEMBLAGE / RÉGLAGE

 **AVERTISSEMENT** : toujours retirer les piles de l'outil avant d'effectuer les opérations suivantes.

INSTALLATION DE LA LAME

Desserrer la vis de fixation de la lame au moyen d'un tournevis, en tournant vers la gauche (fig. 3). Insérer la lame de la scie jusqu'au fond, tel qu'illustré, et resserrer la vis. **REMARQUE** : s'assurer que la lame soit installée du côté GAUCHE de la bride de serrage; ne pas la forcer du côté droit.

MODE D'EMPLOI

RETRAIT ET INSTALLATION DES PILES

REMARQUE : les piles VersapakMC ne sont pas complètement chargées en usine.

- Pour installer les piles dans l'outil, les glisser dans la poignée jusqu'à ce qu'on entende un déclic indiquant qu'elles sont bien enclenchées.
- Pour retirer les piles, appuyer sur les boutons de dégagement, tel qu'illustré à la figure 4 et retirer les piles hors de la poignée. Remarque : des capuchons sont fournis afin de protéger ces dernières lorsqu'on les transporte ou qu'on les range dans sa poche, sa boîte à outils, etc.; on doit retirer ces capuchons avant de remettre les piles dans le chargeur ou l'outil.

Pour mettre les capuchons (voir la fig. 2), il suffit de les enclencher en place, et de tirer pour les enlever,.

Remarque : ne faire fonctionner l'outil que lorsque les deux piles VersapakMC sont installées.

INTERRUPTEUR

L'outil est muni d'un dispositif de verrouillage en position d'arrêt afin de prévenir les démarrages accidentels. Pour mettre l'outil en marche, glisser ce bouton et le retenir, en appuyant sur l'interrupteur à gâchette, pour ensuite le relâcher une fois l'outil en marche. L'outil continue de fonctionner tant qu'on appuie sur l'interrupteur à gâchette.

Relâcher l'interrupteur à gâchette pour arrêter l'outil; celui-ci n'est doté d'aucun dispositif de verrouillage en position de marche.

COUPE DU BOIS

S'assurer que le patin soit appuyé contre la surface de la planche. Ne pas mettre l'outil en marche si ce dernier touche l'ouvrage afin d'éviter de caler le moteur. Placer le patin sur l'ouvrage et le tenir fermement contre ce dernier durant la coupe. Ne pas forcer l'outil; laisser la lame couper à la vitesse pour laquelle elle a été conçue. Dans la mesure du possible, fixer ou soutenir l'ouvrage près de la ligne de coupe. Une fois la coupe terminée, relâcher l'interrupteur et déposer l'outil avant de desserrer l'ouvrage.

COUPE DU MÉTAL ET DU PLASTIQUE

Lorsqu'on coupe une feuille de tôle mince, il est préférable d'y mettre en-dessous un morceau de bois ou de contreplaqué afin d'obtenir une coupe nette et d'éviter de causer des vibrations ou de déchirer la tôle.

REMARQUE : lorsqu'on coupe des tuyaux en métal, on ne doit pas scier à travers comme on le ferait pour un goujon en bois, mais couper plutôt sur toute la circonférence du tuyau afin d'éviter de pincer la lame; s'assurer qu'une seule section de lame entre en contact avec le tuyau.

COUPE INTERNE (VOIR LES FIG. 5 ET 6)

Cette méthode de coupe est utilisée pour scier des trous dans un ouvrage sans couper les bords.

- Pencher la scie vers l'avant et reposer le devant du patin sur l'ouvrage. Aligner la scie de manière à amorcer la coupe sur la section arrière de la forme tracée.
- Mettre l'outil en marche et saisir fermement la poignée. Soulever la section arrière de la forme tracée jusqu'à ce que la lame morde bien dans l'ouvrage; toujours s'assurer que la lame atteigne sa profondeur totale avant d'amorcer la coupe.
- Lorsque le patin repose à plat sur l'ouvrage, terminer la coupe en avançant la scie.
- Attendre que la scie s'arrête complètement avant de la soulever de l'ouvrage.
- Reprenre les étapes ci-dessus chaque fois qu'on amorce une nouvelle coupe.

ÉLAGAGE DES ARBRES

Utiliser une lame à grosses dents pour couper les branches. Tenir le patin fermement contre ces dernières et, dans la mesure du possible, couper près du tronc afin de minimiser les mouvements de la branche.

ENTRETIEN

Nettoyer l'outil seulement à l'aide d'un savon doux et d'un linge humide. Ne laisser aucun liquide s'infiltrer dans l'outil et ne jamais immerger l'outil.

IMPORTANT : Pour assurer la SÉCURITÉ D'EMPLOI et la FIABILITÉ de l'outil, n'en confier la réparation, l'entretien et les ajustements qu'à un centre de service ou à un atelier d'entretien autorisé n'utilisant que des pièces de rechange identiques.

• LE SCEAU RBRC^{mc}*


Le sceau RBRC^{mc} de l'ensemble de piles au nickel-cadmium indique que Black & Decker participe volontairement à un programme du monde industriel qui a pour objet de ramasser et de recycler ces ensembles de piles à la fin de leur vie utile, si on s'en débarrasse aux États-Unis. Le programme RBRC^{mc} offre une solution de rechange pratique à la mise au rebut des ensembles de piles au nickel-cadmium usés, que ce soit à la poubelle ou dans le système municipal car cette mise au rebut est illégale dans certains endroits. Grâce à la contribution de Black & Decker au RBRC^{mc}, il suffit de laisser un ensemble de piles usé chez les détaillants qui vendent des piles au nickel-cadmium de rechange ou dans un centre de service Black & Decker autorisé. On peut également se renseigner auprès de son centre local de recyclage pour savoir comment se débarrasser d'un ensemble de piles usé. Black & Decker fait partie de ce programme en raison de son engagement à protéger l'environnement et à préserver les ressources naturelles.

* RBRC^{mc} est une marque de commerce de l'organisme américain *Rechargeable Battery Recycling Corporation*.

Accessoires

Les détaillants et le centre de service de la région vendent les accessoires recommandés pour l'outil. Pour trouver un accessoire, composer le **1 800 544-6986**.

 **AVERTISSEMENT** : L'utilisation de tout accessoire non recommandé pour l'outil peut être dangereuse.

 **AVERTISSEMENT** : Ne jamais utiliser de lames abrasives ni de lames à maçonnerie, à tuiles ou à métaux. Toujours utiliser des lames de 85,7 mm (3 3/8 po) de diamètre.

Renseignements relatifs au service

Black & Decker exploite un réseau complet de centres de service et d'ateliers d'entretien autorisés par toute l'Amérique du Nord. Le personnel de tous les centres de service Black & Decker a reçu la formation voulue pour assurer l'entretien efficace et fiable des outils électriques.

Pour obtenir des renseignements d'ordre technique, des conseils relatifs aux réparations ou des pièces de rechange d'origine, communiquer avec le centre de service Black & Decker de la région. On peut trouver l'adresse du centre de service de la région dans l'annuaire des Pages Jaunes à la rubrique «Outils électriques» ou en composant le numéro suivant : 1 (800) 544-6986.

Garantie complète de deux ans pour utilisation domestique

Black & Decker garantit le produit pour une période de deux ans contre les vices de matière ou de fabrication. Le produit défectueux sera réparé ou remplacé sans frais conformément à l'une des conditions suivantes.

Pour échanger l'outil, il suffit de le retourner au détaillant (si le détaillant participe au programme d'échange rapide Black & Decker). Le retour doit être effectué dans les délais impartis par la politique de retour du détaillant (habituellement entre 30 et 90 jours suivant la date d'achat). Le détaillant peut exiger une preuve d'achat. Prière de vérifier la politique de retour du détaillant au-delà des délais impartis.

On peut également retourner l'outil (port payé) à un centre de service Black & Decker ou à tout autre atelier d'entretien accrédité pour y être remplacé ou réparé, à notre gré. On peut exiger une preuve d'achat. Les

adresses des centres de service Black & Decker se trouvent à la rubrique «Outils électriques» des Pages Jaunes.

La présente garantie ne vaut pas pour les accessoires. Les modalités de la présente garantie donnent des droits légaux spécifiques. L'utilisateur peut également se prévaloir d'autres droits selon l'état ou la province qu'il habite. Pour obtenir de plus amples renseignements, communiquer avec le directeur du centre de service Black & Decker de la région. Le produit n'est pas conçu pour un usage commercial.

Imported by / Importé par
Black & Decker Canada Inc.
100 Central Ave.
Brockville (Ontario) K6V 5W6

Voir la rubrique "Outils électriques"
des Pages Jaunes
pour le service et les ventes.



ANTES DE DEVOLVER ESTE PRODUCTO POR CUALQUIER
RAZON POR FAVOR LLAME

326-7100


INFORMACIÓN CLAVE QUE DEBE SABER:

- Cargue las baterías antes de usarlas por vez primera.
- El cargador puede zumbar; las baterías o el cargador pueden calentarse durante la carga (las baterías y el cargador se venden por separado).
- La zapata de corte debe estar firme contra la superficie.
- Presione el seguro del interruptor antes de intentar tirar del gatillo.

ADVERTENCIA: ADVERTENCIAS E INSTRUCCIONES IMPORTANTES DE SEGURIDAD

PARA REDUCIR EL RIESGO DE LESIONES:

- Antes de cualquier uso, asegúrese que cualquier persona que vaya a utilizar esta herramienta lea y comprenda todas las instrucciones de seguridad y la información contenida en este manual.
- Conserve estas instrucciones y repáselas con frecuencia antes de usar la herramienta e instruir a otras personas.


 **ADVERTENCIA:** Siempre que utilice herramientas eléctricas debe seguir ciertas precauciones básicas de seguridad, a fin de reducir los riesgos de incendio, choque eléctrico y lesiones personales, entre las que se encuentran las siguientes.

LEA TODAS LAS INSTRUCCIONES

ADVERTENCIAS E INSTRUCCIONES GENERALES DE SEGURIDAD PARA TODAS LAS HERRAMIENTAS.

- CONSERVE LIMPIA EL AREA DE TRABAJO.** Las áreas y los bancos con objetos acumulados en desorden propician los accidentes.
- DELE PRIORIDAD AL AMBIENTE DE TRABAJO.** No exponga las herramientas eléctricas a la lluvia. No utilice herramientas eléctricas en lugares húmedos o inundados. Ilumine bien la zona de trabajo. No utilice las herramientas eléctricas en presencia de líquidos o gases inflamables. Los motores de estas herramientas producen chispas, que pueden encender los vapores.
- PROTEJASE CONTRA EL CHOQUE ELECTRICO.** Evite el contacto corporal con superficies aterrizadas, por ejemplo; tuberías radiadores, hornos, gabinetes de refrigeración, etc. Tenga precaución extrema cuando taladre, atornille o corte en muros, pisos, techos u otras áreas en donde pueda encontrar cables eléctricos vivos, no toque ninguna parte metálica de la herramienta. Sujete las herramientas solamente por las empuñaduras de plástico para evitar descargas eléctricas.
- CONSERVE APARTADOS A LOS NIÑOS.** No permita que niños ni otros visitantes toquen la herramienta ni los cables de extensión. Todos los niños y otros visitantes deben apartarse del área de trabajo.
- GUARDE LAS HERRAMIENTAS QUE NO EMPLEE.** Siempre que no use las herramientas, debe guardarlas en un lugar seco y elevado o bajo chapa, fuera del alcance de los niños.
- NO FUERCE LA HERRAMIENTA.** Esta hará el trabajo mejor y de manera más segura a la velocidad y presión para las que se diseñó.
- EMPLEE LA HERRAMIENTA ADECUADA.** No fuerce a una herramienta pequeña o a sus dispositivos de montaje en una tarea destinada a una herramienta de alto rendimiento. No utilice la herramienta para tareas para las que no ha sido diseñada.
- VISTASE DE LA MANERA ADECUADA.** No utilice ropas sueltas ni joyas, pueden quedar atrapadas en las partes móviles. Se recomienda el uso de guantes y calzado antiderrapante cuando trabaje a la intemperie. Cúbrase el cabello si lo tiene largo.
- UTILICE GAFAS Y OTRO EQUIPO DE SEGURIDAD.** Utilice anteojos de seguridad con cubiertas protectoras laterales, que cumplan con los estándares de seguridad aplicables y, cuando se requiera, una máscara. también utilice una mascarilla contra polvo si la operación de corte lo produce. Esto se aplica a todas las personas en el área de trabajo. Utilice también un casco, protección para los oídos, guantes, calzado de seguridad y sistemas recolectores de polvo cuando se especifique o se requiera.
- NO MALTRATE EL CORDON ELECTRICO.** Nunca cargue la herramienta por el cable ni tire de éste para desconectarlo de la toma de corriente. Aléjelo de calor, aceite y bordes afilados.
- ASEGURE LAS PIEZAS DE TRABAJO.** Utilice prensas para sujetar su pieza de trabajo; es más seguro que usar su mano y le deja ambas manos libres para operar la herramienta.
- NO SE SOBREEXTIENDA.** Apoye bien los pies y conserve el equilibrio siempre.
- CUIDE SUS HERRAMIENTAS.** Conserve sus herramientas limpias y afiladas para un rendimiento mejor y más seguro. Siga las instrucciones de lubricación y cambio de accesorios. Revise la herramienta periódicamente y si está dañada, hágala reparar por una estación de servicio autorizada. revise los cables de extensión periódicamente y reemplácelos si están dañados. Conserve las empuñaduras secas, limpias y libres de aceite y grasa.
- DESCONECTE LAS HERRAMIENTAS.** Desconecte la herramienta cuando no la utilice, cuando la cambie de lugar, antes de darle servicio y cuando le cambie accesorios (como brocas, puntas, cortadores) o le haga ajustes.
- QUITE LAS LLAVES DE AJUSTE Y LAS HERRAMIENTAS DE MANO.** Acostúmbrese a verificar que se hayan retirado todas las llaves antes de encender la unidad.
- EVITE EL ENCENDIDO ACCIDENTAL.** No acarree la herramienta con el dedo en el interruptor. Asegúrese que el interruptor esté en posición de apagado antes de conectar la unidad.
- ESTE ALERTA.** Concéntrese en lo que hace. Utilice el sentido común. No opere la herramienta si está cansado o discapacitado de alguna manera.
- REVISE LAS PARTES DAÑADAS.** Antes de seguir usando la herramienta, debe revisar las guardas y otras partes para determinar realizarán su función adecuadamente. Revise la alineación de las partes móviles, la manera en que están sujetas, que no haya piezas o soportes rotos, y cualesquiera otras condiciones que puedan afectar la operación. Una guarda u otra pieza que esté dañada debe ser reparada o reemplazada en un centro de servicio autorizado. No use la herramienta si el interruptor no enciende y apaga.
- SERVICIO Y REPARACIONES.** Las reparaciones, el mantenimiento y cualquier ajuste no especificados en este manual deben ser realizados por los centros de servicio autorizado Black & Decker u otras estaciones de servicio calificadas, que siempre utilicen refacciones idénticas.
- EMPLEO DE ACCESORIOS Y DISPOSITIVOS.** El uso de cualquier accesorio o dispositivo no recomendado para emplearse con esta herramienta puede ser peligroso. Nota: consulte la sección sobre los accesorios en este manual para más detalles.

INSTRUCCIONES IMPORTANTES DE SEGURIDAD (PARA LA BATERÍA Y EL CARGADOR)

 **ADVERTENCIA:** Es indispensable sujetarse a las precauciones básicas de seguridad, con la finalidad de reducir el peligro de incendio, choque eléctrico y lesiones personales, en todas las ocasiones en que se utilicen herramientas eléctricas. Entre estas precauciones se incluyen las siguientes:

LEA TODAS LAS INSTRUCCIONES

- No guarde o lleve la batería en tal manera que objetos metálicos puedan hacer contacto con el extremo metálico de la batería, como se ilustra en la figura 1. Por ejemplo, no ponga baterías en delantales, bolsillos, cajas de herramienta, cajones, etc., en los que pueda haber clavos, tornillos llaves, etc. La batería puede hacer corto circuito, ocasionando riesgo de incendio o quemaduras, o daños a la batería.
- Los capuchones de las baterías se proporcionan para trasladarlas o guardarlas en bolsillos, cajas de herramientas, etc. Quite el capuchón antes de colocar la batería en el cargador o en la herramienta (fig 2).
- Nunca intente abrir la batería por ningún motivo. Si la cubierta de la batería se rompe o estrella, descártela de inmediato y no la recargue.
- No incinere las baterías, pueden explotar con el fuego. Puede ocurrir una pequeña fuga de líquido de las celdas de la batería bajo condiciones extremas de uso, carga o temperatura. Esto no indica fallas, sin embargo, si el sello externo está roto y el líquido hace contacto con su piel:
 - Lave inmediatamente con agua y jabón.

- b. Neutralice con un ácido débil como jugo de limón o vinagre.
- c. Si el líquido de la batería toca sus ojos, enjuáguelos con agua limpia por un mínimo de 10 minutos y busque inmediatamente atención médica.

NOTA MEDICA: el líquido es una solución de potasa cáustica en concentración de 25 a 35%.

- Cargue las baterías solamente con el cargador de baterías VersaPak.
- No exponga el cargador a condiciones de humedad. Está diseñado para utilizarse únicamente bajo techo. No lo utilice cerca de lavaderos, tinas o similares. No lo sumerja en agua.
- La batería no está diseñada para otra cosa que no sea cargar baterías VersaPak. Otras baterías pueden estallar.
- No opere el cargador si la clavija o el cordón eléctrico están dañados —hágalos reemplazar inmediatamente.
- No opere el cargador si ha recibido algún golpe seco, se ha caído, o se ha dañado en cualquier otra forma; llévelo a un centro de servicio autorizado Black & Decker.
- No desarme el cargador, llévelo a un Centro de Servicio autorizado Black & Decker cuando requiera ser reparado. Ensamblarlo de modo incorrecto puede ocasionar descargas eléctricas o incendios. No contiene partes susceptibles de ser reparadas por el usuario en su interior.
- Para obtener mejores resultados, no cargue la batería cuando la temperatura sea INFERIOR a 5°C (+40°F), o SUPERIOR a 40°C (+105°F).
- El cargador está diseñado para funcionar con corriente eléctrica doméstica estándar (120 volts, corriente alterna). No intente utilizarlo con otro voltaje.
- Desconecte el cargador cuando no lo utilice.
- No abuse del cordón eléctrico del cargador. Para reducir el riesgo de daños a la clavija y al cordón eléctrico, nunca sujete el cargador por el cordón eléctrico ni tire de éste para desconectarlo de la toma de corriente. Consérvelo alejado de calor, aceite y bordes cortantes.
- Solamente emplee el cargador suministrado por el fabricante para recargar sus baterías.

NOTAS IMPORTANTES SOBRE LA CARGA

1. Durante la carga, el transformador del cargador puede zumbear y el cargador y las baterías pueden calentarse, esto es una condición normal y no indica problemas.
2. Si una batería no carga adecuadamente — (1) Verifique la corriente en la toma conectando una lámpara u otro aparato. (2) Revise para ver si la toma de corriente está conectada a un interruptor que corte la corriente al apagar las luces. (3) Lleve el cargador y las baterías a un lugar en donde la temperatura del aire se encuentre entre 5°C (40°F) y 40°C (105°F). (4) Si la toma de corriente y la temperatura son adecuadas, y no consigue cargar adecuadamente, lleve o envíe las baterías y el cargador a su centro de servicio Black & Decker local. Vea “Herramientas eléctricas” en la sección amarilla.
3. Las baterías deben recargarse cuando dejan de producir la potencia suficiente en tareas que se realizaron anteriormente con facilidad. NO CONTINUE utilizando su herramienta con las baterías descargadas.

PROCEDIMIENTO DE CARGA

Inserte el extremo metálico de la batería VersaPak en el cargador. La luz indicadora se encenderá señalando así que el proceso de carga está teniendo lugar y permanecerá encendida mientras la batería esté en el cargador. La carga continua no es materia de seguridad.

NOTA: Su batería VersaPak viene de fábrica sin carga, antes de intentar utilizarla por primera vez, debe cargarla durante 6 horas. Las cargas subsecuentes para la mayoría de sus tareas requerirá entre 3 y 6 horas.

ENSAMBLAJE/AJUSTES INICIALES

⚠ ADVERTENCIA: Retire siempre las baterías antes de efectuar alguna de las siguientes operaciones.

INSTALACIÓN DE LA SEGUETA

Afloje el tornillo del portaseguetas girándolo en sentido opuesto a las manecillas del reloj con un destornillador, (Fig. 3). Inserte completamente la segueta, como se muestra, y apriete el tornillo.

INSTRUCCIONES DE OPERACIÓN

REMOCIÓN E INSTALACIÓN DE LAS BATERÍAS

NOTA: Las baterías VersaPak™ no vienen completamente cargadas de fábrica.

Para instalar las baterías en la herramienta, deslicelas en el mango hasta que se escuche un chasquido al quedar en su sitio. Para retirar las baterías de la herramienta, oprima los botones de liberación, (Fig. 4), y tire de las baterías hacia fuera del mango de la herramienta.

NOTA: Los capuchones de las baterías se proporcionan para transportar y guardar las baterías en bolsillos, cajas de herramientas, etc. Retire el capuchón antes de colocar la batería en el cargador o en la herramienta.

Instale el capuchón de la batería (Fig. 2), presionando al colocarlo en su sitio. Para retirarlo, simplemente tire de él.

NOTA: Únicamente opere la herramienta con ambas baterías VersaPak™ instaladas.

INTERRUPTOR

La herramienta está equipada con un seguro del interruptor para evitar el encendido accidental. Para operar la herramienta, deslice el botón del seguro del interruptor y sujételo mientras tira del gatillo. Después de encender la herramienta, suelte el botón del seguro del interruptor. La herramienta continuará en funcionamiento en tanto el gatillo esté oprimido.

Para apagar la unidad, suelte el interruptor de gatillo. No existe un dispositivo para asegurar la herramienta encendida.

CORTE DE MADERA

Asegúrese de que la zapata quede contra la superficie de la tabla. No intente encender la unidad cuando la segueta esté contra el material a cortar. Esto puede atascar el motor. Coloque la zapata sobre el material a cortar y consérvela firme contra la madera mientras corta. No fuerce la herramienta; permita que la cuchilla corte a su propia velocidad. Siempre que sea posible, preñse o apoye la pieza de trabajo cerca de la línea de corte. Al terminar el corte, libere el gatillo, y deje la herramienta a un lado antes de soltar la pieza de trabajo.

CORTE DE METAL Y PLÁSTICO

Para cortar láminas delgadas de meta, es mejor pensar una pieza de madera o de triplay en la parte inferior de la lámina metálica; esto asegurará un corte limpio sin peligro de que el material se desgarre por las vibraciones.

NOTA: Cuando corte tubería de metal, no corte directamente a través del tubo como lo haría con una pieza de madera. En lugar de hacer esto, corte alrededor de la circunferencia del tubo para evitar que la segueta quede aprisionada. Solamente una sección de la segueta debe estar en contacto con el tubo.

CORTE DE BOLSILLO (VEA FIGS. 5 Y 6)

El corte de bolsillo se usa para cortar un orificio en una pieza de material sin cortar desde uno de los extremos.

- Incline la sierra hacia adelante y apoye el frente de la zapata en el material a cortar. Coloque la sierra de manera que el corte empiece en la parte trasera del rectángulo dibujado.
- Encienda la herramienta. Sujete el mango con firmeza y levante el borde trasero de la herramienta hasta que la segueta corte suavemente el material. Asegúrese siempre de que la segueta alcance la profundidad completa antes de iniciar el corte.
- Cuando la zapata descansa plana sobre el material, complete el corte hacia adelante.
- Permita que la segueta se detenga completamente antes de levantar la sierra del material.
- Cada vez que inicie un corte nuevo, repita los pasos anteriores.

CORTE DE ÁRBOLES

Utilice una segueta con dientes grandes para cortar o ramas de árboles. Sujete la zapata firmemente contra la rama del árbol. Si es posible, corte cerca del tronco para minimizar el movimiento de la rama.

MANTENIMIENTO

Solamente utilice jabón suave y un trapo húmedo para limpiar la herramienta. Nunca permita que ningún líquido se introduzca en la herramienta; nunca sumerja ninguna parte de la herramienta en ningún líquido. **IMPORTANTE:** Para garantizar la SEGURIDAD y la CONFIABILIDAD del producto, las reparaciones, el mantenimiento y los ajustes deben ser realizados por centros de servicio autorizados u otras organizaciones de servicio calificadas, que siempre utilicen partes de repuesto idénticas.

• EL SELLO RBRC™

El sello RBRC™ en las baterías de níquel-cadmio indica que Black & Decker participa voluntariamente en un programa industrial para recolectar y reciclar estas baterías al término de su vida útil, cuando se retiran de servicio dentro de los Estados Unidos. El programa RBRC™ proporciona una conveniente alternativa para el depósito en los lotes de basura municipales de las baterías de níquel-cadmio desgastadas, hecho que es ilegal en algunas regiones.

Los pagos de Black & Decker a RBRC™ hacen más sencillo para usted deshacerse de sus baterías desgastadas con los distribuidores de baterías de níquel-cadmio de su localidad, o en los centros de servicio autorizado Black & Decker. También puede comunicarse al centro de reciclaje de su localidad para que le informen de los lugares a los que puede regresar las baterías desgastadas. La entrada de Black & Decker a este programa es parte de su compromiso para proteger nuestro medio ambiente y conservar los recursos naturales.

RBRC™ es una marca registrada de Rechargeable Battery Recycling Corporation.



Accesorios

Los accesorios recomendados para emplearse con su herramienta se encuentran a su disposición con su distribuidor local o en los centros de servicio autorizado. Si necesita ayuda en relación con los accesorios, por favor llame **326-7100**

⚠ ADVERTENCIA: El uso de cualquier accesorio no recomendado para emplearse con esta herramienta puede ser peligroso.

INFORMACIÓN DE SERVICIO

Black & Decker ofrece una red completa de centros de servicio propiedad de la compañía y franquiciados a través de toda Norteamérica. Todos los centros de servicio Black & Decker cuentan con personal capacitado para proporcionar el servicio a herramientas más eficiente y confiable.

Siempre que necesite consejo técnico, reparaciones o partes de repuesto genuinas, comuníquese con el centro Black & Decker más cercano a usted.

Para encontrar su centro de servicio local, consulte la sección amarilla bajo "Herramientas eléctricas", o llame al **326-7100**

GARANTÍA COMPLETA POR DOS AÑOS PARA USO DOMÉSTICO

Black & Decker (U.S.) garantiza este producto por dos años completos contra cualquier falla originada por materiales o mano de obra defectuosos. El producto defectuoso será reemplazado o reparado sin cargo alguno en cualquiera de las siguientes dos maneras:

La primera, que resulta únicamente en cambios, es regresar el producto al vendedor al que se compró (en la suposición que es un distribuidor participante). Las devoluciones deberán hacerse dentro del tiempo estipulado por la política de cambios del distribuidor (usualmente de 30 a 90 días después de la venta). Se puede requerir prueba de compra. Por favor verifique con el vendedor las políticas específicas de devolución relacionadas a las devoluciones en tiempo posterior al estipulado para cambios.

La segunda opción es llevar o enviar el producto (con porte pagado) a los centros de servicio Black & Decker propios o autorizados, para que la reparemos o reemplacemos a nuestra opción. Se puede requerir prueba de compra. Los centros de servicio Black & Decker propios y autorizados están enlistados bajo "Herramientas eléctricas" en la sección amarilla del directorio telefónico.

Esta garantía no se aplica a los accesorios. Esta garantía le otorga derechos legales específicos, y usted puede tener otros que varíen de estado a estado. Si tiene usted cualquier pregunta, comuníquese con el gerente del centro de servicio Black & Decker más cercano.

Este producto no está destinado a uso comercial.

PARA REPARACION Y SERVICIO DE SUS HERRAMIENTAS ELECTRICAS FAVOR DE DIRIGIRSE AL CENTRO DE SERVICIO MAS CERCANO

CULIACAN Av. Nicolas Bravo #1063 Sur	(91 671) 242 10
GAUDALAJARA Av. La Paz #1779	(91 3) 826 69 78.
MEXICO Eje Lázaro Cárdenas No. 18 Local D, Col. Obrera	588-9377
MERIDA Calle 63 #459-A	(91 99) 23 54 90
MONTERREY Av. Francisco I. Madero Pte. 1820-A	(91 83) 72 11 25
PUEBLA 17 Norte #205	(91 22) 46 37 14
QUERETARO Av. Madero 139 Pte.	(91 42) 14 16 60
SAN LOUIS POTOSI Pedro Moreno #100 Centro	(91 48) 14 25 67
TORREON Blvd. Independencia, 96 pte.	(91 17) 16 52 65
VERACRUZ Prolongación Diaz Miron #4280	(91 29) 21 70 16
VILLAHERMOSA Constitution 516-A	(91 93) 12 53 17

PARA OTRAS LOCALIDADES LLAME AL: 326 7100

ESPECIFICACIONES

C.# VP130 Cargador: VP130, 120V, 60 Hz, 7W
C.# VP100 Salida: 4,35 VDC @ 420mA

Para servicio y ventas consulte
"HERRAMIENTAS ELECTRICAS"
en la sección amarilla.



IMPORTADO: BLACK & DECKER S.A. DE C.V.
BOSQUES DE CIDROS ACCESO RADIATAS NO. 42
COL. BOSQUES DE LAS LOMAS.
05120 MÉXICO, D.F.
TEL. 3-26-71-00