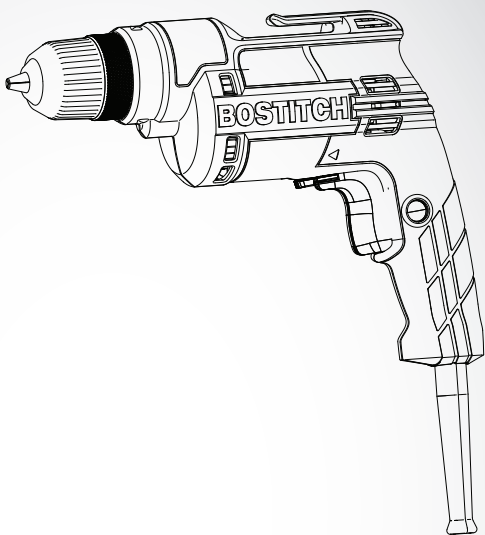


www.BOSTITCH.com

# BOSTITCH®

**Instruction manual**  
Manuel d'instructions  
Manual de instrucciones

## BTE100



# 6.5A

**3/8 Inch (10mm) Drill**

Perceuse de 10mm (3/8 po)

Taladro de 10mm (3/8 pulgada)

INSTRUCTIVO DE OPERACIÓN, CENTROS DE SERVICIO Y PÓLIZA DE GARANTÍA.

**⚠️ ADVERTENCIA:** LÉASE ESTE INSTRUCTIVO ANTES DE USAR EL PRODUCTO.

## SAFETY GUIDELINES - DEFINITIONS

It is important for you to read and understand this manual. The information it contains relates to protecting YOUR SAFETY and PREVENTING PROBLEMS. The symbols below are used to help you recognize this information.

**⚠ DANGER:** Indicates an imminently hazardous situation which, if not avoided, will result in death or serious injury.

**⚠ WARNING:** Indicates a potentially hazardous situation which, if not avoided, could result in death or serious injury.

**⚠ CAUTION:** Indicates a potentially hazardous situation which, if not avoided, may result in minor or moderate injury.

**NOTICE:** Used without the safety alert symbol indicates potentially hazardous situation which, if not avoided, may result in property damage.

## General Power Tool Safety Warnings

**⚠ WARNING:** Read all safety warnings and all instructions. Failure to follow the warnings and instructions may result in electric shock, fire and/or serious injury.

## SAVE ALL WARNINGS AND INSTRUCTIONS FOR FUTURE REFERENCE

The term "power tool" in the warnings refers to your mains-operated (corded) power tool or battery-operated (cordless) power tool.

### 1) WORK AREA SAFETY

- a) Keep work area clean and well lit. Cluttered or dark areas invite accidents.
- b) Do not operate power tools in explosive atmospheres, such as in the presence of flammable liquids, gases or dust. Power tools create sparks which may ignite the dust or fumes.
- c) Keep children and bystanders away while operating a power tool. Distractions can cause you to lose control.

### 2) ELECTRICAL SAFETY

- a) Power tool plugs must match the outlet. Never modify the plug in any way. Do not use any adapter plugs with earthed (grounded) power tools. Unmodified plugs and matching outlets will reduce risk of electric shock.
- b) Avoid body contact with earthed or grounded surfaces such as pipes, radiators, ranges and refrigerators. There is an increased risk of electric shock if your body is earthed or grounded.
- c) Do not expose power tools to rain or wet conditions. Water entering a power tool will increase the risk of electric shock.
- d) Do not abuse the cord. Never use the cord for carrying, pulling or unplugging the power tool. Keep cord away from heat, oil, sharp edges or moving parts. Damaged or entangled cords increase the risk of electric shock.
- e) When operating a power tool outdoors, use an extension cord suitable for outdoor use. Use of a cord suitable for outdoor use reduces the risk of electric shock.
- f) If operating a power tool in a damp location is unavoidable, use a ground fault circuit interrupter (GFCI) protected supply. Use of a GFCI reduces the risk of electric shock.

### 3) PERSONAL SAFETY

- a) Stay alert, watch what you are doing and use common sense when operating a power tool. Do not use a power tool while you are tired or under the influence of drugs, alcohol or medication. A moment of inattention while operating power tools may result in serious personal injury.
- b) Use personal protective equipment. Always wear eye protection. Protective equipment such as dust mask, nonskid safety shoes, hard hat, or hearing protection used for appropriate conditions will reduce personal injuries.
- c) Prevent unintentional starting. Ensure the switch is in the off position before connecting to power source and/ or battery pack, picking up or carrying the tool. Carrying power tools with your finger on the switch or energizing power tools that have the switch on invites accidents.
- d) Remove any adjusting key or wrench before turning the power tool on. A wrench or a key left attached to a rotating part of the power tool may result in personal injury.

- e) **Do not overreach. Keep proper footing and balance at all times.** *This enables better control of the power tool in unexpected situations.*
  - f) **Dress properly. Do not wear loose clothing or jewelry. Keep your hair, clothing and gloves away from moving parts.** *Loose clothes, jewelry or long hair can be caught in moving parts.*
  - g) **If devices are provided for the connection of dust extraction and collection facilities, ensure these are connected and properly used.** *Use of dust collection can reduce dust-related hazards.*
- 4) **POWER TOOL USE AND CARE**
- a) **Do not force the power tool. Use the correct power tool for your application.** *The correct power tool will do the job better and safer at the rate for which it was designed.*
  - b) **Do not use the power tool if the switch does not turn it on and off.** *Any power tool that cannot be controlled with the switch is dangerous and must be repaired.*
  - c) **Disconnect the plug from the power source and/or the battery pack from the power tool before making any adjustments, changing accessories, or storing power tools.** *Such preventive safety measures reduce the risk of starting the power tool accidentally.*
  - d) **Store idle power tools out of the reach of children and do not allow persons unfamiliar with the power tool or these instructions to operate the power tool.** *Power tools are dangerous in the hands of untrained users.*
  - e) **Maintain power tools. Check for misalignment or binding of moving parts, breakage of parts and any other condition that may affect the power tool's operation. If damaged, have the power tool repaired before use.** *Many accidents are caused by poorly maintained power tools.*
  - f) **Keep cutting tools sharp and clean.** *Properly maintained cutting tools with sharp cutting edges are less likely to bind and are easier to control.*
  - g) **Use the power tool, accessories and tool bits, etc. in accordance with these instructions, taking into account the working conditions and the work to be performed.** *Use of the power tool for operations different from those intended could result in a hazardous situation.*
- 5) **SERVICE**
- a) **Have your power tool serviced by a qualified repair person using only identical replacement parts.** *This will ensure that the safety of the power tool is maintained.*

## Specific Safety Rules

- **Use auxiliary handle(s) if supplied with the tool.** *Loss of control can cause personal injury.*
- **Hold power tool by insulated gripping surfaces, when performing an operation where the cutting accessory may contact hidden wiring.** *Cutting accessory contacting a "live" wire may make exposed metal parts of the power tool "live" and could give the operator an electric shock.*
- **Use clamps or another practical way to secure and support the work piece to a stable platform.** *Holding the work by hand or against your body leaves it unstable and may lead to loss of control.*
- **Keep your hair, clothing, and gloves away from air vents.** *Air vents often cover moving parts in which these items can be caught.*
- **Hold tool firmly with two hands.** *Use auxiliary handle if provided. Loss of control can cause personal injury.*

**⚠ WARNING:** Some dust created by power sanding, sawing, grinding, drilling, and other construction activities contains chemicals known to the State of California to cause cancer, birth defects or other reproductive harm. Some examples of these chemicals are:

- lead from lead-based paints,
- crystalline silica from bricks and cement and other masonry products, and
- arsenic and chromium from chemically-treated lumber.

Your risk from these exposures varies, depending on how often you do this type of work. To reduce your exposure to these chemicals: work in a well ventilated area, and work with approved safety equipment, such as those dust masks that are specially designed to filter out microscopic particles.

- **Avoid prolonged contact with dust from power sanding, sawing, grinding, drilling, and other construction activities. Wear protective clothing and wash exposed areas with soap and water.** *Allowing dust to get into your mouth, eyes, or lay on the skin may promote absorption of harmful chemicals.*

**⚠ WARNING:** Use of this tool can generate and/or disperse dust, which may cause serious and permanent respiratory or other injury. Always use NIOSH/OSHA approved respiratory protection appropriate for the dust exposure. Direct particles away from face and body.

• **Wear appropriate hearing protection during use.** Under some conditions and duration of use, noise from this product may contribute to hearing loss.

**⚠ WARNING:** ALWAYS use safety glasses. Everyday eye glasses are NOT safety glasses. Also use face or dust mask if cutting operation is dusty.

**ALWAYS WEAR CERTIFIED SAFETY EQUIPMENT:**

- ANSI Z87.1 eye protection (CAN/CPA Z94.3),
- ANSI S12.6 (S3.19) hearing protection,
- NOSH/OSHA respiratory protection.

**Symbols**

The label on your tool may include the following symbols. The symbols and their definitions are as follows:

- |  |   |
|--|---|
| V.....volts  | A.....amperes   |
| Hz.....hertz                                       | W.....watts   |
| min .....minutes                                   | ~ or AC.....alternating current                             |
| == or DC...direct current                          | n <sub>0</sub> .....no load speed                           |
| Ⓜ .....Class I Construction<br>(grounded)          | ⊖ .....earthing terminal                                    |
| Ⓜ .....Class II Construction<br>(double insulated) | ⚠ .....safety alert symbol                                  |
| 📖 .....Read instruction manual before use          | .../min or rpm...revolutions or<br>reciprocation per minute |
| 🕒 .....Use proper eye protection                   | ☁ .....Use proper respiratory protection                    |
|  | 👂 .....Use proper hearing protection                        |

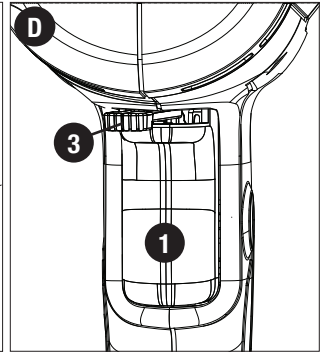
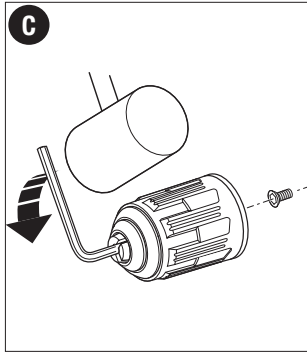
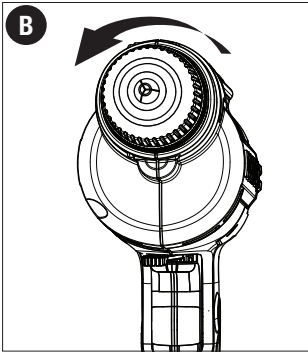
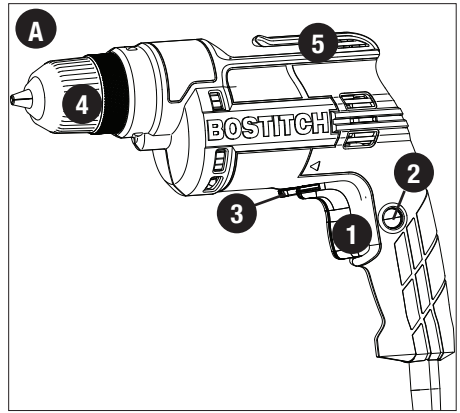
- When using an extension cord, be sure to use one heavy enough to carry the current your product will draw. An undersized cord will cause a drop in line voltage resulting in loss of power and overheating. The following table shows the correct size to use depending on cord length and nameplate ampere rating. If in doubt, use the next heavier gage. The smaller the gage number, the heavier the cord.

Volts	Minimum Gage for Cord Sets				
	Total Length of Cord in Feet				
120V	0-25	26-50	51-100	101-150	
	(0-7,6m)	(7,6-15,2m)	(15,2-30,4m)	(30,4-45,7m)	
240V	0-50	51-100	101-200	201-300	
	(0-15,2m)	(15,2-30,4m)	(30,4-60,9m)	(60,9-91,4m)	
Ampere Rating		American Wire Gage			
More Than	Not more Than				
0 - 6	18	16	16	14	
6 - 10	18	16	14	12	
10 - 12	16	16	14	12	
12 - 16	14	12	Not Recommended		

## FUNCTIONAL DESCRIPTION

Figure A

1. Variable speed switch
2. Lock-on button
3. Reversing lever
4. Keyless chuck
5. Belt clip



## SAFETY WARNINGS AND INSTRUCTIONS: DRILLS

**⚠ WARNING:** Drill may stall (if overloaded or improperly used) causing a twist. Always expect the stall. Grip the drill firmly with both hands to control the twisting action and prevent loss of control which could cause personal injury. If a stall does occur, release the trigger immediately and determine the reason for the stall before re-starting.

### ASSEMBLY

**⚠ WARNING:** To reduce the risk of injury, before assembly, make sure that the tool is switched off and unplugged.

### INSERTING A DRILL BIT OR OTHER ACCESSORY (FIGURE B)

**⚠ WARNING:** Do not attempt to tighten drill bits (or any other accessory) by gripping the front part of the chuck and turning the tool on. Damage to the chuck and personal injury may occur when changing accessories.

**⚠ WARNING:** Always ensure the bit is secure before starting the tool. A loose bit may eject from tool causing possible personal injury.

Your tool features a keyless chuck (4) for greater convenience. To insert a drill bit or other accessory, follow the steps listed below.

- Grasp the rear half of the chuck with one hand and use your other hand to rotate the front half counterclockwise, as shown in **figure B**. Rotate far enough so that the chuck opens sufficiently to accept the desired accessory.
- Insert the bit or other accessory about 3/4 inch (19 mm) into the chuck and tighten securely by holding the rear half of the chuck and rotating the front portion in the clockwise direction.
- To release the accessory, repeat step 1 listed above.

## REMOVING AND ATTACHING THE CHUCK (FIGURE C)

- Open the chuck as far as possible.
- Remove the chuck retaining screw, located in the chuck, by turning it clockwise using a screwdriver (lefthand thread).
- Tighten an Allen key of 1/4 inch or greater size (not supplied) into the chuck and strike it with a soft hammer in a counterclockwise direction as shown.
- Remove the Allen key.
- Remove the chuck by turning it counterclockwise.
- To attach the chuck, screw it onto the spindle and secure it with the chuck retaining screw.

## OPERATING INSTRUCTIONS

**⚠ WARNING:** To reduce the risk of serious personal injury, read, understand and follow all safety warnings and instructions prior to using tool.

**⚠ WARNING:** It is important to support the work properly and to hold the drill firmly with both hands to prevent loss of control which could cause personal injury.

**⚠ WARNING:** Do not attempt to tighten drill bits (or any other accessory) by gripping the front part of the chuck and turning the tool on. Damage to the chuck and personal injury may occur when changing accessories.

**⚠ WARNING:** To reduce the risk of injury, always unplug drill from power supply before making any adjustments or changing accessories.

**⚠ WARNING:** To reduce the risk of injury, let the tool work at its own pace. Do not overload.

## SWITCHES (FIGURE D)

- To switch the tool on, depress the variable speed switch (1). The tool speed depends on how far you press the switch.
- For continuous operation, press the lock-on button (2) and release the variable speed switch. This option is available only at full speed.
- To switch the tool off, release the variable speed switch. To switch the tool off when in continuous operation, depress the variable speed switch once more and release it.

**⚠ WARNING:** The drill should only be locked ON when it is held stationary in a drill press stand or other means; NOT BY HAND! Never unplug the tool with the locking feature engaged. To do so will cause the tool to start immediately the next time it is plugged in.

## REVERSING LEVER

The reversing lever (3) is used for withdrawing bits from tight holes and removing screws. It is located above the trigger switch. To reverse the motor, release the trigger switch FIRST and then push the lever to the right. After any reversing operations, return lever to forward position. Never change the direction of rotation while the motor is running.

## DRILLING

- Always unplug the drill when attaching or removing accessories. When attaching accessories in the drill chuck, it is important to securely tighten the chuck to prevent slippage. When using a keyless chuck, hand tighten firmly.
- Use sharp drill bits only.
- Support and secure work properly, as instructed in the Safety Instructions.
- Use appropriate and required safety equipment, as instructed in the safety instructions.
- Secure and maintain work area, as instructed in the safety instructions.
- Run the drill very slowly, using light pressure, until the hole is started enough to keep the drill bit from slipping out of it.
- Apply pressure in a straight line with the bit. Use enough pressure to keep the bit biting but not so much as to stall the motor or deflect the bit.
- **Hold the drill firmly with both hands to control its twisting action.**
- Drills equipped with a side handle must use the side handle.
- **DO NOT CLICK THE TRIGGER OF A STALLED DRILL OFF AND ON IN AN ATTEMPT TO START IT. DAMAGE TO THE DRILL CAN RESULT.**
- Minimize stalling on breakthrough by reducing pressure and slowly drilling through the last part of the hole.
- Keep the motor running while pulling the bit out of a drilled hole. This will help reduce jamming.

## DRILLING IN WOOD

Holes in wood can be made with the same twist drill bits used for metal or with spade bits. These bits should be sharp and should be pulled out frequently when drilling to clear chips from the flutes.

## DRILLING IN METAL

Use a cutting lubricant when drilling metals. The exceptions are cast iron and brass which should be drilled dry. The cutting lubricants that work best are sulfurized cutting oil or lard oil.

## DRILLING IN MASONRY

Use carbide tipped masonry bits. Refer to *Drilling* section. Keep even force on the drill but not so much that you crack the brittle material. A smooth, even flow of dust indicates the proper drilling rate.

## TROUBLESHOOTING

### **Problem**

- Unit will not start.

### **Possible Cause**

- Cord not plugged in.
- Circuit fuse is blown.
  
- Circuit breaker is tripped.
  
- Cord or switch is damaged.

### **Possible Solution**

- Plug tool into a working outlet.
- Replace circuit fuse. (If the product repeatedly causes the circuit fuse to blow, discontinue use immediately and have it serviced at a Bostitch service center or authorized servicer.)
- Reset circuit breaker. (If the product repeatedly causes the circuit breaker to trip, discontinue use immediately and have it serviced at a Bostitch service center or authorized servicer.)
- Have cord or switch replaced at a Bostitch Service Center or Authorized Servicer.

For assistance with your product, visit our website at [www.bostitch.com](http://www.bostitch.com). for a list of service centers, or call the Bostitch Customer Care Center at **(800) 262-2161**.

## MAXIMUM RECOMMENDED CAPACITIES

CHUCK CAPACITY	3/8 in. (9.5 mm)
R.P.M.	0–2500
BITS, METAL DRILLING	1/2 in. (13 mm) low speed
WOOD, FLAT BORING	1-1/4 in. (32 mm)

## MAINTENANCE

Use only mild soap and damp cloth to clean the tool. Never let any liquid get inside the tool; never immerse any part of the tool into a liquid.

## REPLACEMENT PARTS

Use only identical replacement parts. For a parts list or to order parts, visit our service website at [www.bostitch.com](http://www.bostitch.com). You can also order parts from your nearest Bostitch Factory Service Center or Bostitch Authorized Warranty Service Center. Or, you can call our Customer Care Center at (800) 262 2161.

## SERVICE AND REPAIRS

All quality tools will eventually require servicing and/or replacement of parts. For information about Bostitch, its factory service centers or authorized warranty service centers, visit our website at [www.bostitch.com](http://www.bostitch.com) or call our Customer Care Center at (800) 262 2161. All repairs made by our service centers are fully guaranteed against

defective material and workmanship. We cannot guarantee repairs made or attempted by others.

You can also write to us for information at Bostitch, 701 E. Joppa Road, Towson, Maryland 21286 - Attention: Product Service. Be sure to include all of the information shown on the nameplate of your tool (model number, type, serial number, etc.).

## **ACCESSORIES**

**⚠ WARNING:** Since accessories, other than those offered by Bostitch have not been tested with this product, use of such accessories with this tool could be hazardous. To reduce the risk of injury, only Bostitch recommended accessories should be used with this product.

A complete line of accessories is available from your Bostitch Factory Service Center or a Bostitch Authorized Warranty Service Center. Please visit our Web Site **www.bostitch.com** for a catalog or for the name of your nearest supplier.

## **THREE YEAR LIMITED WARRANTY**

Bostitch will repair or replace, without charge, any defects due to faulty materials or workmanship for three years from the date of purchase for tools (two years for batteries). This warranty does not cover part failure due to normal wear or tool abuse. For further detail of warranty coverage and warranty repair information, visit **www.bostitch.com** or call **(800) 262-2161**. This warranty does not apply to accessories or damage caused where repairs have been made or attempted by others. This warranty gives you specific legal rights and you may have other rights which vary in certain states or provinces.

In addition to the warranty, Bostitch tools are covered by our: **1 YEAR FREE SERVICE:** Bostitch will maintain the tool and replace worn parts caused by normal use, for free, any time during the first year after purchase.

**90 DAY MONEY BACK GUARANTEE:** If you are not completely satisfied with the performance of your Bostitch Power Tool for any reason, you can return it within 90 days from the date of purchase with a receipt for a full refund – no questions asked.

**LATIN AMERICA:** This warranty does not apply to products sold in Latin America. For products sold in Latin America, see country specific warranty information contained in the packaging, call the local company or see website for warranty information.

To register your tool for warranty service visit our website at **www.bostitch.com**

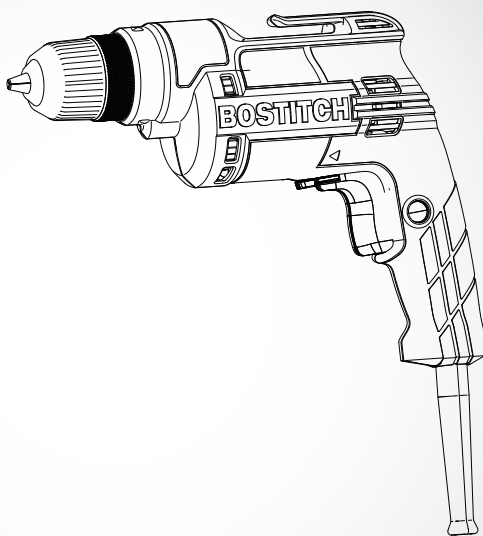
## **WARNING LABEL REPLACEMENT**

If your warning labels become illegible or are missing, call (800) 262-2161 for a free replacement.

Imported by Bostitch  
701 E. Joppa Road  
Towson, Maryland 21286



**BOSTITCH®**



**6.5 A**

**Perceuse de 10mm**

### **LIGNES DIRECTRICES EN MATIÈRE DE SÉCURITÉ - DÉFINITIONS**

Il est important que vous lisiez et compreniez ce mode d'emploi. Les informations qu'il contient concernent VOTRE SÉCURITÉ et visent à ÉVITER TOUT PROBLÈME. Les symboles ci-dessous servent à vous aider à reconnaître cette information.

**⚠ DANGER** : Indique une situation dangereuse imminente qui, si elle n'est pas évitée, causera la mort ou des graves blessures.

**⚠ AVERTISSEMENT** : Indique une situation potentiellement dangereuse qui, si elle n'est pas évitée, pourrait causer la mort ou de graves blessures.

**⚠ MISE EN GARDE** : Indique une situation potentiellement dangereuse qui, si elle n'est pas évitée, pourrait causer des blessures mineures ou modérées.

**AVIS** : Utilisé sans le symbole d'alerte à la sécurité, indique une situation potentiellement dangereuse qui, si elle n'est pas évitée, peut résulter en des dommages à la propriété.

# Avertissements de sécurité généraux pour les outils électriques

**⚠ AVERTISSEMENT** : Lire tous les avertissements de sécurité et toutes les directives. Le non-respect des avertissements et des directives pourrait se solder par un choc électrique, un incendie et/ou une blessure grave.

**Conserver tous les avertissements et toutes les directives pour un usage ultérieur.** Le terme «outil électrique» cité dans les avertissements se rapporte à votre outil électrique à alimentation sur secteur (avec fil) ou par piles (sans fil).

## 1) Sécurité du lieu de travail

- a) **Tenir la zone de travail propre et bien éclairée.** *Les endroits sombres sont souvent des causes d'accidents.*
- b) **Ne pas faire fonctionner d'outils électriques dans un milieu déflamant, soit en présence de liquides inflammables, de gaz ou de poussière.** *Les outils électriques produisent des étincelles qui peuvent enflammer la poussière ou les vapeurs.*
- c) **Éloigner les enfants et les curieux au moment d'utiliser un outil électrique.** *Une distraction pourrait vous en faire perdre la maîtrise.*

## 2) Sécurité en matière d'électricité

- a) **Les fiches des outils électriques doivent correspondre à la prise. Ne jamais modifier la fiche en aucune façon.** *Ne jamais utiliser de fiche d'adaptation avec un outil électrique mis à la terre. Le risque de choc électrique sera réduit par l'utilisation de fiches non modifiées correspondant à la prise.*
- b) **Éviter tout contact physique avec des surfaces mises à la terre comme des tuyaux, des radiateurs, des cuisinières et des réfrigérateurs.** *Le risque de choc électrique est plus élevé si votre corps est mis à la terre.*
- c) **Ne pas exposer les outils électriques à la pluie ou à d'autres conditions où il pourrait être mouillé.** *La pénétration de l'eau dans un outil électrique augmente le risque de choc électrique.*
- d) **Ne pas utiliser abusivement le cordon d'alimentation. Ne jamais utiliser le cordon pour transporter, tirer ou débrancher un outil électrique. Tenir le cordon éloigné de la chaleur, de l'huile, des bords tranchants ou des pièces mobiles.** *Les cordons endommagés ou emmêlés augmentent les risques de choc électrique.*
- e) **Pour l'utilisation d'un outil électrique à l'extérieur, se servir d'une rallonge convenant à une telle utilisation.** *L'utilisation d'une rallonge conçue pour l'extérieur réduit les risques de choc électrique.*
- f) **S'il est impossible d'éviter l'utilisation d'un outil électrique dans un endroit humide, brancher l'outil dans une prise ou sur un circuit d'alimentation dotés d'un disjoncteur de fuite à la terre (GFCI).** *L'utilisation de ce type de disjoncteur réduit les risques de choc électrique.*

## 3) Sécurité personnelle

- a) **Être vigilant, surveiller le travail effectué et faire preuve de jugement lorsqu'un outil électrique est utilisé. Ne pas utiliser d'outil électrique en cas de fatigue ou sous l'influence de drogues, d'alcool ou de médicaments.** *Un simple moment d'inattention en utilisant un outil électrique peut entraîner des blessures corporelles graves.*
- b) **Utiliser des équipements de protection individuelle. Toujours porter une protection oculaire.** *L'utilisation d'équipements de protection comme un masque antipoussière, des chaussures antidérapantes, un casque de sécurité ou des protecteurs auditifs lorsque la situation le requiert réduira les risques de blessures corporelles.*
- c) **Empêcher les démarrages intempestifs. S'assurer que l'interrupteur se trouve à la position d'arrêt avant de relier l'outil à une source d'alimentation et/ou d'insérer un bloc-piles, de ramasser ou de transporter l'outil.** *Transporter un outil électrique alors que le doigt repose sur l'interrupteur ou brancher un outil électrique dont l'interrupteur est à la position de marche risque de provoquer un accident.*
- d) **Retirer toute clé de réglage ou clé standard avant de démarrer l'outil.** *Une clé standard ou une clé de réglage attachée à une partie pivotante peut causer des blessures.*
- e) **Ne pas trop tendre les bras. Conserver son équilibre en tout temps.** *Cela permet de mieux maîtriser l'outil électrique dans les situations imprévues.*
- f) **S'habiller de manière appropriée. Ne pas porter de vêtements amples ni de bijoux. Garder les cheveux, les vêtements et les gants à l'écart des pièces mobiles.** *Les vêtements amples, les bijoux ou les cheveux longs risquent de rester coincés dans les pièces mobiles.*

- g) Si des composants sont fournis pour le raccordement de dispositifs de dépoussiérage et de ramassage, s'assurer que ceux-ci sont bien raccordés et utilisés. *L'utilisation d'un dispositif de dépoussiérage peut réduire les dangers engendrés par les poussières.*
- 4) **Utilisation et entretien d'un outil électrique**
- a) **Ne pas forcer un outil électrique. Utiliser l'outil électrique approprié à l'application.** *L'outil électrique approprié effectuera un meilleur travail, de façon plus sûre et à la vitesse pour laquelle il a été conçu.*
- b) **Ne pas utiliser un outil électrique dont l'interrupteur est défectueux.** *Tout outil électrique dont l'interrupteur est défectueux est dangereux et doit être réparé.*
- c) **Débrancher la fiche du secteur ou le bloc-piles de l'outil électrique avant de faire tout réglage ou changement d'accessoire, ou avant de ranger l'outil électrique.** *Ces mesures préventives réduisent les risques de démarrage accidentel de l'outil électrique.*
- d) **Ranger les outils électriques hors de la portée des enfants, et ne permettre à aucune personne n'étant pas familière avec un outil électrique (ou son manuel d'instruction) d'utiliser ce dernier.** *Les outils électriques deviennent dangereux entre les mains d'utilisateurs inexpérimentés.*
- e) **Entretien des outils électriques. Vérifier les pièces mobiles pour s'assurer qu'elles sont bien alignées et tournent librement, qu'elles sont en bon état et ne sont affectées par aucun trouble susceptible de nuire au bon fonctionnement de l'outil électrique. En cas de dommage, faire réparer l'outil électrique avant toute nouvelle utilisation.** *Beaucoup d'accidents sont causés par des outils électriques mal entretenus.*
- f) **S'assurer que les outils de coupe sont aiguisés et propres.** *Les outils de coupe bien entretenus et affûtés sont moins susceptibles de se coincer et sont plus faciles à contrôler.*
- g) **Utiliser l'outil électrique, les accessoires, les forets, etc. conformément aux présentes directives en tenant compte des conditions de travail et du travail à effectuer.** *L'utilisation d'un outil électrique pour toute opération autre que celle pour laquelle il a été conçu est dangereuse.*
- 5) **Réparation**
- a) **Faire réparer l'outil électrique par un réparateur professionnel en n'utilisant que des pièces de rechange identiques.** *Cela permettra de maintenir une utilisation sécuritaire de l'outil électrique.*

## CONSIGNES DE SÉCURITÉ PARTICULIÈRES

- **Porter des protecteurs auditifs si une perceuse à percussion est utilisée.** *Une exposition au bruit peut entraîner une perte auditive.*
- **Utiliser les poignées auxiliaires fournies avec l'outil.** *Une perte de maîtrise de l'outil peut entraîner des blessures corporelles.*
- **Saisir l'outil électrique par ses surfaces de prises isolées lorsque l'outil peut entrer en contact avec des fils cachés ou son cordon.** *En cas de contact avec un fil sous tension, les pièces métalliques de l'outil seront sous tension et l'utilisateur subira des secousses électriques.*
- **Utiliser des brides de fixation ou un autre dispositif de fixation permettant de fixer solidement et de soutenir la pièce sur une plateforme stable.** *Tenir la pièce avec la main ou contre son corps la rend instable et risque de provoquer une perte de maîtrise de l'outil.*
- **Lorsque l'outil n'est pas utilisé, le placer sur le côté, sur une surface stable, de manière à ne faire trébucher ou tomber personne.** *Certains outils ont un gros bloc d'alimentation. En le plaçant à la verticale, vous risquez de le renverser.*
- **Ne pas utiliser cet outil pendant des périodes prolongées.** *Les vibrations causées par l'action de fonctionnement de l'outil peuvent blesser en permanence les doigts, les mains et les bras. Porter des gants pour amortir les vibrations, faire des pauses fréquentes et limiter le temps d'utilisation quotidien de l'outil.*
- **Tenir les cheveux, les vêtements et les gants loin des événements.** *En effet, les événements cachent souvent des pièces mobiles qui risquent de happer ces articles.*
- **Les mèches à maçonnerie et les outils deviennent chauds en cours de fonctionnement.** *Pour les toucher, porter des gants.*

**⚠ AVERTISSEMENT : TOUJOURS porter des lunettes de sécurité. Les lunettes de vue ne constituent PAS des lunettes de sécurité. Utiliser également un masque facial ou anti-poussière si l'opération de découpe génère de la poussière.**

## TOUJOURS PORTER UN ÉQUIPEMENT DE PROTECTION HOMOLOGUÉ :

- protection oculaire conforme à la norme ANSI Z87.1 (CAN/CSA Z94.3);
- protection auditive ANSI S12.6 (S3.19);
- protection des voies respiratoires conformes aux normes NIOSH/OSHA/MSHA.

**⚠ AVERTISSEMENT :** certains outils électriques, tels que les sableuses, les scies, les meules, les perceuses ou certains autres outils de construction, peuvent produire de la poussière contenant des produits chimiques reconnus par l'État de la Californie comme étant susceptibles d'entraîner le cancer, des malformations congénitales ou pouvant être nocifs pour le système reproductif. Parmi ces produits chimiques, on retrouve :

- le plomb dans les peintures à base de plomb,
- la silice cristalline dans les briques et le ciment et autres produits de maçonnerie,
- l'arsenic et le chrome dans le bois de sciage ayant subi un traitement chimique.

Le risque associé à de telles expositions varie selon la fréquence avec laquelle on effectue ces travaux. Pour réduire l'exposition à de tels produits, il faut travailler dans un endroit bien aéré et utiliser le matériel de sécurité approprié, tel un masque anti-poussières spécialement conçu pour filtrer les particules microscopiques.

- Éviter tout contact prolongé avec la poussière soulevée par cet outil ou autres outils électriques. Porter des vêtements de protection et nettoyer les parties exposées du corps à l'eau savonneuse. S'assurer de bien se protéger afin d'éviter d'absorber par la bouche, les yeux ou la peau des produits chimiques nocifs.

**⚠ AVERTISSEMENT :** Cet outil peut produire et répandre de la poussière susceptible de causer des dommages sérieux et permanents au système respiratoire. Toujours utiliser un appareil respiratoire anti-poussières approprié approuvé par le NIOSH ou l'OSHA. Diriger les particules dans le sens opposé du visage et du corps.

## SYMBOLES

- L'étiquette apposée sur votre outil pourrait comprendre les symboles suivants. Les symboles et leurs définitions sont indiqués ci-après :

V..... volts	A..... ampères
Hz..... hertz	W..... watts
min..... minutes	~ ou AC.....courant alternatif
— ou DC.....courant continu	$n_0$ ..... sous vide
Ⓢ..... Construction de classe I (mis à la terre)	Ⓢ..... borne de mise à la minute
Ⓢ..... Construction de classe II	⚠..... symbole d'avertissement
RPM ou .../min.....tours à la minute	
👉..... Lire le mode d'emploi avant l'utilisation	
👤..... Utiliser une protection respiratoire adéquate.	
👁..... Utiliser une protection oculaire adéquate.	
👂..... Utiliser une protection auditive adéquate.	

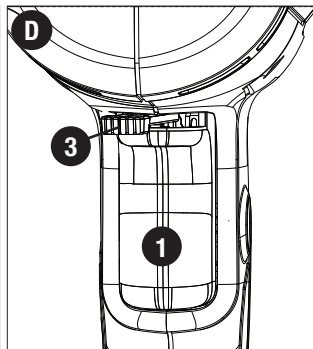
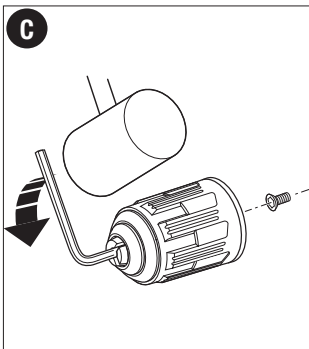
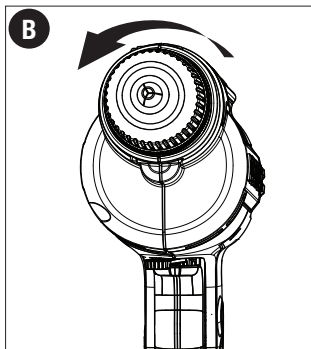
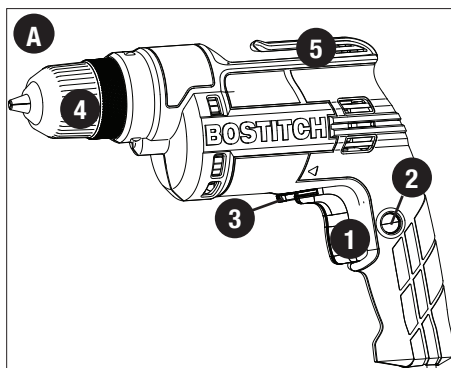
- En cas d'utilisation d'une rallonge, s'assurer que les valeurs nominales de la rallonge utilisée correspondent bien à celles de l'outil alimenté. L'usage d'une rallonge de calibre insuffisant causera une chute de tension entraînant perte de puissance et surchauffe. Le tableau

Calibre minimal des cordons de rallonge					
Tension	Longueur totale du cordon en pieds				
120V	0-25	26-50	51-100	101-150	
	(0-7,6m)	(7,6-15,2m)	(15,2-30,4m)	(30,4-45,7m)	
240V	0-50	51-100	101-200	201-300	
	(0-15,2m)	(15,2-30,4m)	(30,4-60,9m)	(60,9-91,4m)	
Intensité (A)		Calibre moyen des fils (AWG)			
Au moins	Au plus				
0	- 6	18	16	16	14
6	- 10	18	16	14	12
10	- 12	16	16	14	12
12	- 16	14	12	Non recommandé	

## DESCRIPTION FONCTIONNELLE

### - FIGURE A

1. Détente à vitesse variable
2. Bouton de verrouillage
3. Levier inverseur
4. Mandrin sans clé
5. Clip de ceinture



## AVERTISSEMENTS DE SÉCURITÉ ET DIRECTIVES : PERCEUSES

**⚠ AVERTISSEMENT** : Saisir fermement la perceuse avec les deux mains afin de maîtriser le mouvement de torsion et d'éviter d'en perdre la maîtrise ce qui pourrait entraîner des blessures corporelles. En cas de blocage, relâcher la détente immédiatement et déterminer la raison du blocage avant de redémarrer.

## ASSEMBLAGE

**⚠ AVERTISSEMENT** : Pour réduire le risque de blessures avant l'assemblage, s'assurer que l'outil est éteint et débranché.

### INSÉRER UNE MÈCHE OU UN AUTRE ACCESSOIRE (FIG. B)

**⚠ AVERTISSEMENT** : ne pas essayer de resserrer les mèches (ou tout autre accessoire) en saisissant la partie avant du mandrin et en mettant l'outil en marche. Lors du changement d'accessoire, il y a risque d'endommager le mandrin et d'entraîner des blessures corporelles.

**⚠ AVERTISSEMENT** : toujours s'assurer que la mèche est bien fixée avant de démarrer l'outil. Une mèche desserrée peut être éjectée de l'outil et causer des blessures corporelles.

L'outil est muni d'un mandrin sans clé (4) des plus commodes. Pour insérer une mèche ou tout autre accessoire, suivre les étapes ci-dessous.

- Saisir la partie inférieure du mandrin avec une main et utiliser l'autre pour faire tourner la partie supérieure du mandrin en sens antihoraire, comme l'illustre la **figure B**. Tourner jusqu'à ce que le mandrin s'ouvre suffisamment pour que l'accessoire voulu s'insère bien dans les mâchoires.
- Insérer la mèche ou tout autre accessoire d'environ 19 mm (3/4 po) dans le mandrin et resserrer fermement en retenant la partie inférieure du mandrin et en faisant tourner sa partie supérieure en sens horaire.
- Pour dégager l'accessoire, répéter l'étape 1 de la liste ci-dessus.

## RETRAIT ET FIXATION DU MANDRIN (FIG. C)

- Ouvrir autant que possible les mâchoires du mandrin.
- Dévisser en sens horaire avec un tournevis (filetage gauche) et retirer la vis de sûreté du mandrin logée sur ce dernier.
- Insérer et serrer une clé Allen de 6,35 mm (1/4 po) ou plus (clé non comprise) dans les mâchoires du mandrin et la frapper en sens antihoraire avec un marteau-caoutchouc
- puis retirer la clé Allen.
- Retirer le mandrin en le tournant en sens antihoraire.
- Pour fixer un mandrin, le visser sur la broche et le fixer avec la vis de sûreté du mandrin.

## FONCTIONNEMENT

**⚠ AVERTISSEMENT : pour réduire le risque de blessure personnelle grave, veuillez lire, assimiler et suivre tous les avertissements de sécurité et toutes les directives avant d'utiliser l'outil.**

**⚠ AVERTISSEMENT : pour éviter toute blessure corporelle, soutenir correctement la pièce et tenir fermement la perceuse avec les deux mains pour empêcher une perte de maîtrise de l'outil.**

**⚠ AVERTISSEMENT : ne pas essayer de resserrer les mèches (ou tout autre accessoire) en saisissant la partie avant du mandrin et en mettant l'outil en marche.** Lors du changement d'accessoires, il y a risque d'endommager le mandrin et d'entraîner des blessures corporelles.

**⚠ AVERTISSEMENT : pour réduire le risque de blessures, toujours débrancher la perceuse avec d'effectuer quelque ajustement que ce soit ou de changer d'accessoires.**

**⚠ AVERTISSEMENT : pour réduire les risques de blessures, laisser l'outil travailler à sa propre vitesse. Ne pas le surcharger.**

## COMMULATEURS (FIG. D)

- Pour mettre la perceuse en marche, appuyer sur la détente à vitesse variable (1). La vitesse de l'outil varie selon la pression qu'on exerce sur la détente.
- Pour un fonctionnement continu, appuyer sur le bouton de verrouillage (2) et relâcher la détente à vitesse variable. L'option n'est disponible qu'à plein régime.
- Pour éteindre l'outil, relâcher la détente à vitesse variable. Pour mettre l'outil hors tension en mode de fonctionnement continu, appuyer sur la détente à vitesse variable une fois, puis la relâcher.

**⚠ AVERTISSEMENT :** Verrouiller la perceuse en position de MARCHE uniquement si elle est fixe sur un socle de perceuse à colonne ou un autre dispositif de fixation. **NE JAMAIS LA VERROUILLER LORS D'UNE UTILISATION MANUELLE !** Ne jamais débrancher l'outil avec le dispositif de verrouillage engagé. Le non-respect de cette mesure provoquera le démarrage immédiat de l'outil dès le prochain branchement.

## LEVIER INVERSEUR

Le levier inverseur (3) sert à extraire les mèches des trous étroits et à dévisser des vis. Il est logé au-dessus de la détente. Pour inverser la rotation du moteur, relâcher D'ABORD la détente, puis pousser le levier vers la droite. Après les opérations de marche arrière, remettre le levier en marche avant. Ne jamais permuter entre les directions de rotation avec le moteur de la perceuse en fonctionnement.

## MODE PERÇAGE

- Toujours débrancher la perceuse lors de l'insertion ou du retrait d'accessoires. Lors de l'insertion d'accessoires dans le mandrin de la perceuse, il est primordial de serrer solidement le mandrin en utilisant les trois trous pour prévenir tout glissement. Dans le cas d'un mandrin sans clé, serrer fermement à la main.
- Utiliser des mèches aiguës seulement.
- Bien soutenir et fixer la pièce, conformément aux consignes de sécurité.
- Utiliser le matériel de sécurité approprié, conformément aux consignes de sécurité.
- Garder la zone de travail propre et sécuritaire, conformément aux consignes de sécurité.
- Faire fonctionner la perceuse très lentement en exerçant une légère pression, jusqu'à

ce que le trou soit suffisamment profond pour empêcher la mèche d'en sortir.

- Appliquer une pression en ligne droite au moyen de la mèche en exerçant juste assez de pression pour permettre à la mèche de mordre dans la pièce, en évitant de caler le moteur ou de faire dévier la mèche.
- **Tenir fermement l'outil avec les deux mains afin de contrôler sa rotation.**
- Utiliser en tout temps la poignée latérale des perceuses qui en sont dotées.
- **NE PAS ENFONCER ET RELÂCHER LA GÂCHETTE À PLUSIEURS REPRISES POUR ESSAYER DE REDÉMARRER LA PERCEUSE AFIN D'ÉVITER DE L'ENDOMMAGER.**
- Réduire les risques de calage au minimum en réduisant la pression lorsque la mèche perce le matériau et en perçant lentement la dernière section du trou.
- Maintenir le moteur en marche lorsqu'on retire la mèche du trou percé afin d'éviter qu'elle reste coincée.

## **PERÇAGE DU BOIS**

On peut percer le bois au moyen des mèches hélicoïdales qu'on utilise pour le métal ou de mèches à vrille. On doit utiliser des mèches bien aiguisées et les sortir fréquemment pour enlever les copeaux restés coincés dans les cannelures.

## **PERÇAGE DU MÉTAL**

Utiliser une huile de coupe lorsqu'on perce des métaux, à l'exception de la fonte et du laiton, car ces derniers doivent être percés à sec. Pour cette tâche, les meilleurs lubrifiants sont l'huile sulfurée et l'huile de lard.

## **PERÇAGE DE LA MAÇONNERIE**

Utiliser des mèches à pointe carburée (voir la section « Mode perçage »). Maintenir une pression uniforme sur la perceuse, sans trop forcer pour éviter de fissurer les matériaux plus cassants. La vitesse choisie est appropriée lorsque la poussière est soulevée uniformément et régulièrement.

## **DÉPANNAGE**

### **Problème**

- L'appareil refuse de démarrer.

### **Cause possible**

- Cordon d'alimentation non branché.
- Le fusible du circuit est grillé.
- Le disjoncteur est déclenché.
- Le cordon d'alimentation ou la prise de courant est endommagé(e).

### **Solution possible**

- Brancher l'outil dans une prise qui fonctionne.
- Remplacer le fusible du circuit. (Si le produit fait griller de façon répétée le fusible du circuit, arrêter immédiatement d'utiliser le produit et le faire réparer dans un centre de réparation Bostitch ou un centre de réparation autorisé.)
- Remettre le disjoncteur à zéro. (Si le produit fait déclencher de façon répétée le disjoncteur, arrêter immédiatement d'utiliser le produit et le faire réparer dans un centre de réparation Bostitch le ou un centre de réparation autorisé.)
- Faire remplacer le cordon ou l'interrupteur au centre de réparation Bostitch ou à un centre de réparation autorisé.

Pour de l'aide avec l'outil, consulter notre site Web [www.bostitch.com](http://www.bostitch.com) pour l'emplacement du centre de réparation le plus près ou communiquer avec l'assistance Bostitch au (800) 262-2161.

## CAPACITÉS MAXIMALES RECOMMANDÉES

MANDRIN	9.5 mm (3/8 po)
TR/MIN	0-2500
MÈCHES À MÉTAL	13 mm (1/2 po) basse vitesse
MÈCHES PLATES POUR LE BOIS	32 mm (1 1/4 po)

### ENTRETIEN

N'utiliser qu'un détergent doux et un chiffon humide pour nettoyer l'appareil. Ne jamais laisser de liquide pénétrer dans l'appareil et n'immerger aucune partie de l'appareil dans un liquide.

### PIÈCES DE RECHANGE

Utiliser seulement des pièces de rechange identiques. Pour obtenir une liste des pièces de rechange ou pour en commander, consulter le site Web [www.bostitch.com](http://www.bostitch.com). Il est également possible de commander des pièces au centre de réparation de l'usine Bostitch et au centre de réparation sous garantie autorisé Bostitch le plus près. Ou composer le (800) 262 2161. pour le service à la clientèle.

### ENTRETIEN ET RÉPARATION

Ce produit n'est pas réparable par l'utilisateur. Aucune pièce à l'intérieur du chargeur ne peut être réparée par l'utilisateur. Pour éviter tout dommage aux composants internes sensibles à l'électricité statique, faire effectuer toute réparation par un centre de réparation autorisé. Pour de plus amples renseignements à propos de Bostitch, ses centres de réparation en usine ou ses centres de réparation sous garantie autorisés, visiter notre site Web au [www.bostitch.com](http://www.bostitch.com) ou communiquer avec notre centre de service à la clientèle en composant le (800) 262 2161. Toutes les réparations effectuées dans nos centres de réparation sont entièrement garanties contre les défauts de matériaux et de main-d'œuvre. Nous ne pouvons pas garantir les réparations effectuées en partie ou totalement par d'autres.

Pour de plus amples renseignements par courrier, écrire à Bostitch, 701 E. Joppa Road, Towson, Maryland 21286 - à l'attention de : Product Service. S'assurer d'indiquer toutes les informations figurant sur la plaque signalétique de l'outil (numéro du modèle, type, numéro de série, etc.).

### ACCESSOIRES

**⚠ AVERTISSEMENT :** Puisque les accessoires autres que ceux offerts par Bostitch n'ont pas été testés avec ce produit, l'utilisation de ceux-ci avec l'outil pourrait s'avérer dangereuse. Pour réduire le risque de blessures, utiliser exclusivement les accessoires Bostitch recommandés avec le produit.

Les centres de réparation de l'usine Bostitch ou les centres de réparation sous garantie autorisés Bostitch sont en mesure de vous fournir la gamme complète d'accessoires. Consulter le site Web [www.bostitch.com](http://www.bostitch.com) pour obtenir un catalogue ou le nom du fournisseur local.

### GARANTIE LIMITÉE DE TROIS ANS

Bostitch réparera ou remplacera gratuitement tous les outils défectueux présentant des défauts de matériau ou de fabrication pendant trois ans à compter de la date d'achat [garantie de deux ans pour les blocs-piles]. Cette garantie ne couvre pas des défaillances de pièce dues à une usure normale ou à une mauvaise utilisation de l'outil. Pour plus de détails relatifs à la couverture de la garantie et aux réparations sous garantie, visiter le site [www.bostitch.com](http://www.bostitch.com) ou composer le (800) 262 2161. Cette garantie ne s'applique pas aux accessoires ni aux dommages causés par des réparations réalisées ou tentées par des tiers. Cette garantie vous accorde des droits légaux spécifiques et il est possible que vous ayez d'autres droits qui varient d'un État ou d'une province à l'autre.

En plus de la garantie, les outils Bostitch sont couverts par notre :

**SERVICE D'ENTRETIEN GRATUIT D'UN (1) AN :** Bostitch entretiendra l'outil et remplacera les pièces usées par une utilisation normale, et ce, gratuitement et à tout instant pendant la première année à compter de la date d'achat.

**GARANTIE DE REMBOURSEMENT DE 90 JOURS :** Si l'utilisateur n'est pas entièrement satisfait des performances de son outil électrique Bostitch pour une raison quelconque, il peut le retourner accompagné du reçu dans les 90 jours suivant la date



d'achat, et nous le lui rembourserons entièrement - sans poser de question.

**AMÉRIQUE LATINE** : cette garantie ne s'applique pas aux produits vendus en Amérique latine. Pour ceux-ci, veuillez consulter les informations relatives à la garantie spécifique présente dans l'emballage, appeler l'entreprise locale ou consulter le site Web pour les informations relatives à cette garantie.

Pour enregistrer l'outil en vue d'obtenir un service de garantie, consulter notre site Web au [www.bostitch.com](http://www.bostitch.com).

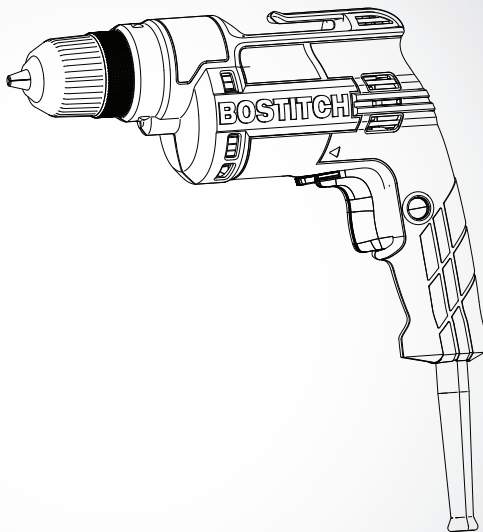
**REPLACEMENT DES ÉTIQUETTES D'AVERTISSEMENT**

Si vos étiquettes d'avertissement sont illisibles ou manquantes, contactez le (800) 262 2161 pour en obtenir le remplacement gratuit.

Importé par Bostitch  
701 E. Joppa Road  
Towson, Maryland 21286

# BTE100

# BOSTITCH®



# 6.5 A

Taladro de 10mm (3/8 pulgada)

INSTRUCTIVO DE OPERACIÓN, CENTROS DE SERVICIO Y PÓLIZA DE GARANTÍA.  
⚠ **ADVERTENCIA:** LÉASE ESTE INSTRUCTIVO ANTES DE USAR EL PRODUCTO.

## PAUTAS DE SEGURIDAD/DEFINICIONES

Es importante que lea y comprenda este manual. La información que contiene se relaciona con la protección de SU SEGURIDAD y la PREVENCIÓN DE PROBLEMAS. Los símbolos que siguen se utilizan para ayudarlo a reconocer esta información.

- ⚠ **PELIGRO:** indica una situación de peligro inminente que, si no se evita provocará la muerte o lesiones graves.
- ⚠ **ADVERTENCIA:** indica una situación de peligro potencial que, si no se evita, provocará la muerte o lesiones graves.
- ⚠ **PRECAUCIÓN:** indica una situación de peligro potencial que, si no se evita, provocará lesiones leves o moderadas.

**PRECAUCIÓN:** utilizado sin el símbolo de alerta de seguridad indica una situación de peligro potencial que, si no se evita, puede provocar daños en la propiedad.

# Advertencias generales de seguridad para herramientas eléctricas

**⚠️ ADVERTENCIA:** Lea todas las advertencias de seguridad e instrucciones. El incumplimiento de las advertencias e instrucciones puede provocar descargas eléctricas, incendios o lesiones graves.

**Conservar todas las advertencias e instrucciones para futuras consultas.** El término “herramienta eléctrica” incluido en las advertencias hace referencia a las herramientas eléctricas operadas con corriente (con cable eléctrico) o a las herramientas eléctricas operadas con baterías (inalámbricas).

## 1) Seguridad en el área de trabajo

- a) **Mantenga el área de trabajo limpia y bien iluminada.** *Las áreas abarrotadas y oscuras propician accidentes.*
- b) **No opere herramientas eléctricas en atmósferas explosivas, como ambientes donde se encuentran líquidos, gases o polvo inflamables.** *Las herramientas eléctricas originan chispas que pueden encender el polvo o los vapores.*
- c) **Mantenga a los niños y espectadores alejados de la herramienta eléctrica en funcionamiento.** *Las distracciones pueden provocar la pérdida de control.*

## 2) Seguridad eléctrica

- a) **Los enchufes de la herramienta eléctrica deben adaptarse al tomacorriente. Nunca modifique el enchufe de ninguna manera. No utilice ningún enchufe adaptador con herramientas eléctricas con conexión a tierra.** *Los enchufes no modificados y que se adaptan a los tomacorrientes reducirán el riesgo de descarga eléctrica.*
- b) **Evite el contacto corporal con superficies puestas a tierra, como por ejemplo tuberías, radiadores, rangos y refrigeradores.** *Existe mayor riesgo de descarga eléctrica si su cuerpo está puesto a tierra.*
- c) **No exponga las herramientas eléctricas a la lluvia o a condiciones de humedad.** *Si ingresa agua a una herramienta eléctrica, aumentará el riesgo de descarga eléctrica.*
- d) **No maltrate al cable. Nunca utilice el cable para transportar, tirar o desenchufar la herramienta eléctrica. Mantenga el cable lejos del calor, aceite, bordes afilados o piezas móviles.** *Los cables dañados o enredados aumentan el riesgo de descarga eléctrica.*
- e) **Al operar una herramienta eléctrica en el exterior, utilice un cable prolongador adecuado para tal uso. Utilice un cable adecuado para uso en exteriores a fin de reducir el riesgo de descarga eléctrica.**
- f) **Si el uso de una herramienta eléctrica en un lugar húmedo es imposible de evitar, utilice un suministro protegido con un interruptor de circuito por falla a tierra (GFCI).** *El uso de un GFCI reduce el riesgo de descargas eléctricas.*

## 3) Seguridad personal

- a) **Permanezca alerta, controle lo que está haciendo y utilice el sentido común cuando emplee una herramienta eléctrica.** *No utilice una herramienta eléctrica si está cansado o bajo el efecto de drogas, alcohol o medicamentos. Un momento de descuido mientras se opera una herramienta eléctrica puede provocar lesiones personales graves.*
- b) **Utilice equipos de protección personal. Siempre utilice protección para los ojos.** *En las condiciones adecuadas, el uso de equipos de protección, como máscaras para polvo, calzado de seguridad antideslizante, cascos o protección auditiva, reducirá las lesiones personales.*
- c) **Evite el encendido por accidente. Asegúrese de que el interruptor esté en la posición de apagado antes de conectarlo a la fuente de energía o paquete de baterías, o antes de levantar o transportar la herramienta.** *Transportar herramientas eléctricas con el dedo apoyado en el interruptor o enchufar herramientas eléctricas con el interruptor en la posición de encendido puede propiciar accidentes.*
- d) **Retire las clavijas de ajuste o llaves de tuercas antes de encender la herramienta eléctrica.** *Una llave de tuercas o una clavija de ajuste que se deje conectada a una pieza giratoria de la herramienta eléctrica pueden provocar lesiones personales.*
- e) **No se estire. Conservar el equilibrio adecuado y manténgase parado correctamente en todo momento.** *Esto permite un mejor control de la herramienta eléctrica en situaciones inesperadas.*
- f) **Use la vestimenta adecuada. No use ropas holgadas ni joyas. Mantenga el cabello, la ropa y los guantes alejados de las piezas en movimiento.** *Las*

*ropas holgadas, las joyas o el cabello largo pueden quedar atrapados en las piezas en movimiento.*

- g) **Si se suministran dispositivos para la conexión de accesorios con fines de recolección y extracción de polvo, asegúrese de que estén conectados y que se utilicen correctamente.** *El uso de dispositivos de recolección de polvo puede reducir los peligros relacionados con el polvo.*
- 4) **Uso y mantenimiento de la herramienta eléctrica**
- a) **No fuerce la herramienta eléctrica. Utilice la herramienta eléctrica correcta para el trabajo que realizará.** *La herramienta eléctrica correcta hará el trabajo mejor y más seguro a la velocidad para la que fue diseñada.*
- b) **No utilice la herramienta eléctrica si no puede encenderla o apagarla con el interruptor.** *Toda herramienta eléctrica que no puede ser controlada mediante el interruptor es peligrosa y debe ser reparada.*
- c) **Desconecte el enchufe de la fuente de energía y/o el paquete de baterías de la herramienta eléctrica antes de realizar ajustes, cambiar accesorios o almacenar herramientas eléctricas.** *Estas medidas de seguridad preventivas reducen el riesgo de encender la herramienta eléctrica en forma accidental.*
- d) **Guarde las herramientas eléctricas que no están en uso fuera del alcance de los niños y no permite que otras personas no familiarizadas con ella o con estas instrucciones operen la herramienta.** *Las herramientas eléctricas son peligrosas en las manos de usuarios no entrenados.*
- e) **Mantenimiento de las herramientas eléctricas.** **Controle que no haya piezas móviles mal alineadas o trabadas, piezas rotas y toda otra situación que pueda afectar el funcionamiento de las herramientas eléctricas.** **Si encuentra daños, haga reparar la herramienta eléctrica antes de utilizarla.** *Se producen muchos accidentes a causa de las herramientas eléctricas que carecen de un mantenimiento adecuado.*
- f) **Mantenga las herramientas de corte afiladas y limpias.** *Las herramientas de corte con mantenimiento adecuado, con los bordes de corte afilados son menos propensas a trabarse y son más fáciles de controlar.*
- g) **Utilice la herramienta eléctrica, los accesorios y las brocas de la herramienta, etc. de acuerdo con estas instrucciones y teniendo en cuenta las condiciones de trabajo y el trabajo que debe realizarse.** *El uso de la herramienta eléctrica para operaciones diferentes de aquéllas para las que fue diseñada podría originar una situación peligrosa.*
- 5) **Mantenimiento**
- a) **Haga que una persona de reparaciones calificada realice el mantenimiento de su herramienta eléctrica y utilice piezas de repuesto idénticas solamente.** *Esto garantizará la seguridad de la herramienta eléctrica.*

## **NORMAS DE SEGURIDAD ESPECÍFICAS**

- **Utilice protectores auditivos con los taladros de impacto.** *La exposición al ruido puede ocasionar la pérdida de la audición.*
- **Use los mangos auxiliares que se suministran con la herramienta.** *La pérdida del control podría ocasionar lesiones personales.*
- **Sujete la herramienta eléctrica por las superficies aislantes cuando realice una operación en que la herramienta pueda hacer contacto con cableados ocultos.** *Al hacer contacto con un cable "vivo", las partes metálicas de la herramienta se vuelven "vivas" y pueden originar un choque al operador.*
- **Utilice abrazaderas u otra forma práctica para asegurar y sostener la pieza de trabajo sobre una plataforma estable.** *Sostener el trabajo con la mano o contra el cuerpo no brinda la estabilidad requerida y puede llevar a la pérdida del control.*
- **No opere esta herramienta durante periodos largos de tiempo.** *La vibración causada por la acción de operación de esta herramienta puede causar lesiones permanentes a los dedos, las manos y los brazos. Utilice guantes para una mayor amortiguación, tome descansos frecuentes y limite el tiempo de uso diario.*
- **Mantenga el cabello, la ropa y los guantes alejados de los orificios de ventilación.** *Los orificios de ventilación suelen cubrir piezas móviles donde estos elementos se pueden enganchar.*
- **Las herramientas y las brocas para taladro de percusión se recalientan durante la operación.** *Use guantes al tocarlas.*

**⚠ ADVERTENCIA: USE SIEMPRE LENTES DE SEGURIDAD.** *Los anteojos de uso diario NO son lentes de seguridad. Utilice también máscaras faciales o para polvo si el*

corte produce polvillo. **UTILICE SIEMPRE EQUIPOS DE SEGURIDAD CERTIFICADOS:**

- Protección para los ojos según la norma ANSI Z87.1 (CAN/CSA Z94.3)
- Protección auditiva según la norma ANSI S12.6 (S3.19)
- Protección respiratoria según las normas NIOSH/OSHA/MSHA

**⚠ ADVERTENCIA:** parte del polvo producido por las herramientas eléctricas al lijar, aserrar, esmerilar, taladrar y realizar otras actividades de la construcción, contiene productos químicos reconocidos por el Estado de California como causantes de cáncer, defectos de nacimiento u otros problemas reproductivos.

Algunos de estos productos químicos son:

- el plomo de las pinturas de base plomo,
- la sílice cristalina de ladrillos, el cemento y otros productos de mampostería, y
- el arsénico y el cromo de la madera con tratamiento químico.

El riesgo derivado de estas exposiciones varía según la frecuencia con la que se realice este tipo de trabajo. Para reducir la exposición a estos productos químicos: trabaje en áreas bien ventiladas y trabaje con equipos de seguridad aprobados, como las máscaras para polvo especialmente diseñadas para filtrar las partículas microscópicas.

- **Evite el contacto prolongado con el polvo procedente del lijado, serrado, esmerilado y taladrado eléctricos, así como de otras actividades del sector de la construcción. Lleve ropa protectora y lave con agua y jabón las zonas expuestas.** Si permite que el polvo se introduzca en la boca u ojos o quede sobre la piel, puede favorecer la absorción de productos químicos peligrosos.

**⚠ ADVERTENCIA:** El uso de esta herramienta puede generar o dispersar polvo lo cual puede causar lesiones respiratorias serias y permanentes y otros tipos de lesión. Siempre use protección respiratoria aprobada por NIOSH/OSHA para la exposición al polvo. Dirija las partículas en dirección opuesta a su cara y cuerpo.

## Símbolos

- La etiqueta de su herramienta puede incluir los siguientes símbolos. Los símbolos y sus definiciones son los siguientes:

V..... voltios	A..... amperios
Hz..... hertz	W..... vatios
min..... minutos	~ o AC..... corriente alterna
— o DC..... corriente directa	n <sub>o</sub> ..... no velocidad sin carga
⚠..... Construcción Clase I (mis à la terre)	⊕ ..... terminal a tierra
⊞ ..... Construcción de clase II	⚠ ..... simbolo de alerta
RPM o .../min.....revoluciones o minuto seguridad	
📖 ..... Lea el manual de instrucciones antes del uso	
👤 ..... Use protección adecuada para las vías respiratorias	
👁 ..... Use protección adecuada para los ojos	
👂 ..... Use protección adecuada para los oídos	

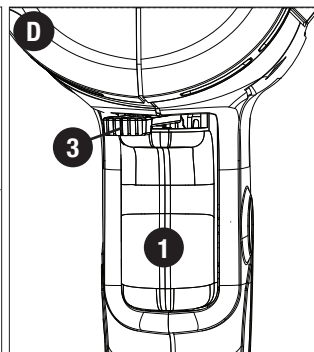
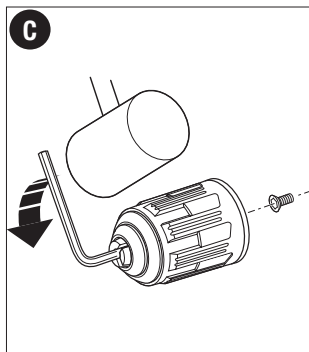
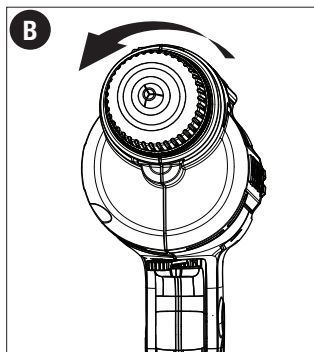
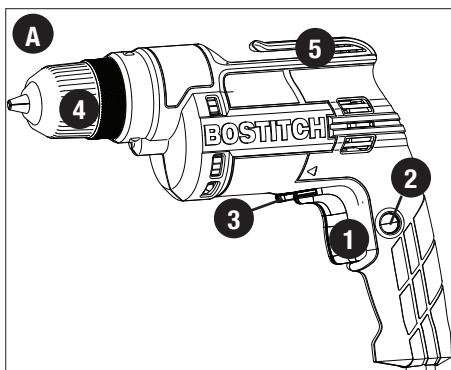
- Cuando use un alargador, asegúrese de usar uno de un calibre suficiente como para cargar con la corriente que requerirá su producto. Un alargador de menor calibre causará una caída en el voltaje de la línea lo que resultará en pérdida de potencia y sobrecalentamiento. El siguiente cuadro muestra el tamaño correcto a utilizar, dependiendo del largo del cable y el amperaje nominal. En caso de duda, utilice el de mayor calibre. Mientras menor el número del calibre, mayor la capacidad del cable.

Volts	Calibre mínimo para cables de extensión			
	Longitud total del cable en pies			
120V	0-25	26-50	51-100	101-150
	(0-7,6m)	(7,6-15,2m)	(15,2-30,4m)	(30,4-45,7m)
240V	0-50	51-100	101-200	201-300
	(0-15,2m)	(15,2-30,4m)	(30,4-60,9m)	(60,9-91,4m)
Amperaje	Más de	No más de	American Wire Gage	
0	- 6	18	16	14
6	- 10	18	16	12
10	- 12	16	16	12
12	- 16	14	12	No se recomienda

## DESCRIPCIÓN DE LAS FUNCIONES

### Figura A

1. Interruptor de velocidad variable
2. Botón de bloqueo
3. Palanca de cambio de marcha
4. Portabrocas sin llave
5. Sujetador para cinturón



## INSTRUCCIONES Y ADVERTENCIAS DE SEGURIDAD: TALADROS

**⚠ ADVERTENCIA:** Sujete el taladro firmemente con ambas manos para controlar la torsión y evitar la pérdida de control que podría ocasionar lesiones personales. En caso de que la herramienta se atasque, suelte el disparador inmediatamente y determine la causa del atascamiento antes de encenderla nuevamente.

### ENSAMBLAJE

**⚠ ADVERTENCIA:** Para reducir el riesgo de lesión antes de ensamblar, asegúrese de que la herramienta esté apagada y desenchufada.

### INSERCIÓN DE UNA BROCA U OTRO ACCESORIO (FIGURA B)

**⚠ ADVERTENCIA:** No tome la parte delantera del portabrocas y encienda la herramienta para ajustar las brocas (o cualquier otro accesorio). Cuando se cambian los accesorios, se pueden provocar daños al portabrocas y daños personales.

**⚠ ADVERTENCIA:** Siempre asegúrese de que la broca esté fija antes de poner en funcionamiento la herramienta. Una broca floja puede ser expulsada de la herramienta y ocasionar lesiones personales.

La herramienta cuenta con un portabrocas sin llave (4) para brindar una mayor comodidad. Para insertar una broca u otro accesorio, siga los pasos que se describen a continuación.

- Tome la mitad posterior del portabrocas con una mano y use la otra mano para girar la parte frontal en sentido contrario al de las agujas del reloj, como se muestra en la **figura B**. Gire hasta que el portabrocas se abra lo suficiente para aceptar el accesorio deseado.
- Inserte la broca u otro accesorio alrededor de 19 mm (3/4 pulgada) en el portabrocas y ajuste bien, sosteniendo la mitad posterior del portabrocas y girando la parte frontal en sentido de las agujas del reloj.
- Para liberar el accesorio, repita el paso 1 que se describe arriba.

### ACOPLAMIENTO Y EXTRACCIÓN DEL PORTABROCAS (FIGURA C)

- Abra el portabrocas tanto como sea posible.
- Para quitar el tornillo de fijación para portabrocas, ubicado en el portabrocas, gírelo en el sentido de las agujas del reloj con un destornillador (rosca hacia la izquierda).
- Ajuste una llave Allen de 6,4 mm (1/4 pulgada) o de un tamaño mayor (no suministrada)

en el portabrocas y golpéela con un martillo liviano en el sentido contrario al de las agujas del reloj como se muestra.

- Retire la llave Allen.
- Para retirar el portabrocas, gírelo en sentido contrario a las agujas del reloj.
- Para acoplar el portabrocas, atorníllelo en el eje y asegúrelo con un tornillo de fijación para portabrocas.

## INSTRUCCIONES DE OPERACIÓN

⚠ **ADVERTENCIA:** Para reducir el riesgo de lesiones personales graves, lea, comprenda y siga todas las instrucciones y las advertencias de seguridad antes de usar la herramienta.

⚠ **ADVERTENCIA:** Es importante apoyar bien el trabajo y sostener el taladro firmemente con ambas manos para evitar la pérdida de control, la que podría provocar daños personales.

⚠ **ADVERTENCIA:** No tome la parte delantera del portabrocas y encienda la herramienta para ajustar las brocas (o cualquier otro accesorio). Cuando se cambian los accesorios, se pueden provocar daños al portabrocas y daños personales.

⚠ **ADVERTENCIA:** Antes de realizar ajustes o cambiar accesorios, desenchufe siempre el taladro de la fuente de energía para reducir el riesgo de lesiones.

⚠ **ADVERTENCIA:** Para reducir el riesgo de lesiones, permita que la herramienta trabaje a su propio ritmo. No la sobrecargue.

### INTERRUPTORES (FIGURA D)

- Para encender la herramienta, presione el interruptor de velocidad variable (1). La velocidad de la herramienta depende de cuánto presione el interruptor.
- Para que la herramienta funcione en forma continua, oprima el botón de bloqueo (2) y suelte el interruptor de velocidad variable. Esta opción sólo está disponible cuando se opera a máxima velocidad.
- Para apagar la herramienta, suelte el interruptor de velocidad variable. Para apagar la herramienta cuando está en funcionamiento continuo, oprima una vez más el interruptor de velocidad variable y suéltelo.

⚠ **ADVERTENCIA:** El taladro sólo puede ser bloqueado en la posición ON (de encendido) cuando está fijo en una base con prensa para taladro o algún otro dispositivo; NUNCA CUANDO SE SOSTIENE CON LAS MANOS. Nunca desenchufe la herramienta con el mecanismo de bloqueo activado. De hacerlo, la herramienta arrancará de inmediato la próxima vez que se la enchufe.

### PALANCA DE CAMBIO DE MARCHA

La palanca de cambio de marcha (3) se utiliza para retirar brocas de agujeros estrechos y para retirar tornillos. Se encuentra sobre el interruptor disparador. Para invertir la rotación del motor, PRIMERO libere el interruptor disparador y luego empuje la palanca hacia la derecha. Luego de cualquier operación de inversión, vuelva a colocar la palanca en posición delantera. Nunca cambie la dirección de rotación con el motor en funcionamiento.

### TALADRADO

- Cuando acople o retire accesorios del taladro, desenchúfelo siempre. Es importante que cuando acople accesorios al portabrocas del taladro asegure con firmeza el portabrocas mediante los tres orificios para evitar el deslizamiento de la broca. Cuando use un portabrocas sin llave, asegure manualmente con firmeza.
- Use solamente brocas para taladro afiladas.
- Sostenga y asegure el trabajo adecuadamente, según se indica en las instrucciones de seguridad.
- Utilice equipos de seguridad adecuados y necesarios, como se indica en las instrucciones de seguridad.
- Asegure y mantenga el área de trabajo, según se indica en las instrucciones de seguridad.
- Haga funcionar el taladro muy lentamente, con poca presión, hasta que el orificio producido sea tal que contenga la broca y evite que se deslice del mismo.
- Aplique presión en línea recta con la broca. Utilice presión suficiente para mantener la broca funcionando, pero no tanto como para ahogar el motor o ladear la broca.
- **Sostenga firmemente el taladro con las dos manos para controlar la torsión.**

- Se deben usar taladros equipados con un mango lateral.
- NO APRIETE EL INTERRUPTOR DE DISPARO EN LAS POSICIONES DE ENCENDIDO Y APAGADO CON EL FIN DE INTENTAR HACER FUNCIONAR LA BROCA ATORADA - ESTO PUEDE DAÑAR EL TALADRO
- Para minimizar las posibilidades de atascamiento durante una perforación, disminuya la presión y taladre lentamente hasta la última parte del orificio.
- Mantenga el motor en funcionamiento mientras retira la broca de un orificio taladrado. Esto ayudará a reducir atascamientos.

### TALADRADO EN MADERA

Los orificios en madera se pueden realizar con las mismas brocas de taladro helicoidales que se usan para los metales o con brocas de pala. Estas brocas deben estar afiladas y se deben retirar con frecuencia mientras se taladra para limpiar las virutas de las ranuras.

### TALADRADO EN METAL

Utilice un lubricante de corte cuando taladre metales. Las excepciones son el bronce y el hierro fundido que deben taladrarse en seco. Los lubricantes de corte que funcionan mejor son el aceite de corte sulfurizado o el aceite de grasa de cerdo.

### TALADRADO EN MAMPOSTERÍA

Utilice brocas para mampostería con puntas de carburo. Consulte la sección Taladrado. Mantenga una fuerza pareja sobre el taladro, pero que no sea tanta como para agrietar el material frágil. Un flujo de virutas uniforme y suave indica que se taladra a la velocidad adecuada.

## DETECCIÓN DE PROBLEMAS

<b>Problema</b>	<b>Causa posible</b>	<b>Solución posible</b>
• La unidad no enciende.	<ul style="list-style-type: none"> <li>• Cable desenchufado.</li> <li>• Fusible quemado.</li> <li>• El interruptor automático está activado.</li> <li>• Interruptor o cable dañado.</li> </ul>	<ul style="list-style-type: none"> <li>• Enchufe el cargador en un tomacorriente que funcione.</li> <li>• Reemplace el fusible quemado. (Si repetidamente el producto hace que el fusible del circuito se queme, deje de utilizarlo inmediatamente y haga que le realicen mantenimiento en un centro de mantenimiento Bostitch o en un centro de servicio autorizado.)</li> <li>• Reinicie el interruptor automático. (Si repetidamente el producto hace que el fusible del circuito se queme, deje de utilizarlo inmediatamente y haga que le realicen mantenimiento en un centro de mantenimiento Bostitch o en un centro de servicio autorizado.)</li> <li>• Haga reparar el cable o el interruptor en un centro de mantenimiento Bostitch o en un centro de mantenimiento autorizado.</li> </ul>

Para conocer la ubicación del centro de mantenimiento más cercano a fin de recibir ayuda con su producto, visite nuestro sitio Web [www.bostitch.com](http://www.bostitch.com) o llame a la línea de ayuda Bostitch al (800) 262-2161.



## CAPACIDADES MÁXIMAS RECOMENDADAS

CAPACIDAD DE PORTABROCAS	9.5 mm (3/8 pulgada)
R.P.M.	0 a 2500
BROCAS, TALADRADO EN METAL	13 mm (1/2 pulgada) a baja velocidad
MADERA, PERFORACIÓN CON BARRENA PLANA	32 mm (1-1/4 pulgada)

### MANTENIMIENTO

Utilice únicamente jabón suave y un trapo húmedo para limpiar la herramienta. Nunca permita que se introduzcan líquidos en la herramienta; nunca sumerja ninguna parte de la herramienta en ningún líquido.

### PIEZAS DE REPUESTO

Utilice sólo piezas de repuesto idénticas. Para obtener una lista de piezas o para solicitar piezas, visite nuestro sitio Web en [www.bostitch.com](http://www.bostitch.com). También puede solicitar piezas al Centro de mantenimiento de fábrica Bostitch o al Centro de mantenimiento con garantía autorizado de Bostitch más cercanos. O bien, puede llamar a nuestro Centro de atención al cliente al **(800) 262-2161**.

### MANTENIMIENTO Y REPARACIONES

El mantenimiento de este producto no puede ser realizado por el usuario. Dentro del cargador no hay piezas a las que el usuario pueda hacerles mantenimiento. El mantenimiento de la herramienta debe realizarse en un centro de mantenimiento autorizado para evitar daños a los componentes internos, sensibles a la estática. Para obtener información acerca de Bostitch, sus centros de mantenimiento o centros de mantenimiento con garantía autorizados, visite nuestro sitio web en

**[www.bostitch.com](http://www.bostitch.com)** o comuníquese con nuestro Centro de atención al cliente al **(800) 262-2161**. Todas las reparaciones realizadas en nuestros centros de

mantenimiento están completamente garantizadas en relación con los materiales defectuosos y la mano de obra. No podemos otorgar garantías en relación con las reparaciones ni los intentos de reparación de otras personas.

También puede escribirnos solicitando información a Bostitch, 701 E. Joppa Road, Towson, Maryland 21286 ; referencia: Mantenimiento de productos. Asegúrese de incluir toda la información mencionada en la placa de la herramienta (número de modelo, tipo, número de serie, etc.).

### ACCESORIOS

**⚠ ADVERTENCIA:** Debido a que no se han probado con este producto otros accesorios que no sean los que ofrece Bostitch, el uso de dichos accesorios con esta herramienta podría ser peligroso. Para reducir el riesgo de lesiones, con este producto deben usarse sólo los accesorios Bostitch recomendados.

Puede encontrar la línea completa de accesorios en los centros de mantenimiento de fábrica Bostitch o centros de mantenimiento con garantía autorizados de Bostitch. Visite nuestro sitio web [www.bostitch.com](http://www.bostitch.com) para obtener un catálogo o para conocer el nombre de su proveedor más cercano.

### GARANTÍA LIMITADA DE TRES AÑOS

Bostitch reparará o reemplazará, sin cargo, cualquier defecto ocasionado por materiales defectuosos o mano de obra durante tres años a partir de la fecha de compra, en el caso de las herramientas (dos años para las baterías). Esta garantía no cubre fallas en las piezas que resulten del desgaste normal de la herramienta o de su utilización inadecuada. Para obtener información detallada sobre la cobertura de la garantía y sobre reparaciones, visite [www.bostitch.com](http://www.bostitch.com) o llame al **(800) 262-2161**. Esta garantía no se extiende a los accesorios o a los daños causados por terceros al intentar realizar reparaciones. Esta garantía le concede derechos legales específicos; pueden existir otros derechos que varían según el estado o la provincia. Además de la garantía, las herramientas Bostitch están cubiertas por nuestro:

**SERVICIO GRATUITO DE 1 AÑO:** Bostitch realizará el mantenimiento y reemplazará las piezas gastadas tras el uso normal, sin costo alguno, en cualquier momento durante el primer año después de la compra.

**GARANTÍA DE DEVOLUCIÓN DE DINERO DE 90 DÍAS:** Si por alguna razón no estuviera plenamente satisfecho con el rendimiento de su herramienta eléctrica Bostitch, puede devolver el producto dentro de los 90 días siguientes a la fecha de compra acompañado del recibo. De esta manera, se le reintegrará el importe total del producto sin formularle pregunta alguna.

**AMÉRICA LATINA:** Esta garantía no se aplica a los productos que se venden en América Latina. Para los productos que se venden en América Latina, debe consultar la información de la garantía específica del país que viene en el empaque, llamar a la compañía local o visitar el sitio Web a fin de obtener esa información.

Para registrar la herramienta con el objeto de obtener el mantenimiento cubierto por la garantía, visite nuestro sitio Web, [www.bostitch.com](http://www.bostitch.com).

#### **REEMPLAZO DE LAS ETIQUETAS DE ADVERTENCIA**

Si sus etiquetas de advertencia se vuelven ilegibles o faltan, llame al **(800) 262-2161** para que se las reemplacen gratuitamente.

Importado por Bostitch  
701 E. Joppa Road  
Towson, Maryland 21286



