

STANLEY BOSTITCH

N80C

COIL-FED PNEUMATIC NAILERS



OPERATION and MAINTENANCE MANUAL

⚠ WARNING:

BEFORE OPERATING THIS TOOL, ALL OPERATORS SHOULD STUDY THIS MANUAL, TO UNDERSTAND AND FOLLOW THE SAFETY WARNINGS AND INSTRUCTIONS. KEEP THESE INSTRUCTIONS WITH THE TOOL FOR FUTURE REFERENCE. IF YOU HAVE ANY QUESTIONS, CONTACT YOUR STANLEY-BOSTITCH REPRESENTATIVE OR DISTRIBUTOR.

STANLEY BOSTITCH

Stanley Fastening Systems

BSA1517S REV R. 8/90

INTRODUCTION

The Stanley-Bostitch N80C series nailers are precision-built tools, designed for high speed volume nailing. These coil-fed nailers will deliver efficient, dependable service when used correctly and with care. As with any fine power tool, for best performance the manufacturer's instructions must be followed. All operators should study this manual before operating the tool and understand the safety warnings and cautions. The instructions on installation, operation and maintenance should be read carefully, and the manual kept for reference. NOTE: Additional safety measures may be required because of your particular application of the nailer. Contact your Stanley-Bostitch representative or distributor with any questions concerning the nailer and its use. Stanley-Bostitch, Inc., East Greenwich, Rhode Island 02818.

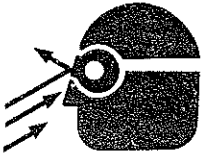
INDEX

	<u>PAGE NO.</u>
Safety Instructions.....	3
Tool Specifications.....	4
Air Supply.....	5
Fittings	
Hoses	
Filters	
Air Consumption	
Regulators	
Operating Pressure	
Setting Correct Pressure	
Lubrication.....	5
Loading The Tool.....	6
Operating The Tool.....	7,8,9
Maintaining The Tool.....	10
Trouble Shooting.....	10,11
Exploded View.....	12
Parts List.....	13
Tool Maintenance/Service Record.....	14
Accessories.....	15
Limited Warranty/Stanley-Bostitch Sales Location Listing.....	Back Cover



SAFETY INSTRUCTIONS

▲ WARNING:



EYE PROTECTION which conforms to ANSI specifications and provides protection against flying particles both from the **FRONT** and **SIDE** should **ALWAYS** be worn by the operator and others in the work area when loading, operating or servicing this tool. Eye protection is required to guard against flying fasteners and debris, which could cause severe eye injury.

The employer and/or user must ensure that proper eye protection is worn. Eye protection equipment must conform to the requirements of the American National Standards Institute, ANSI Z87.1-1979 and provide both frontal and side protection. **NOTE:** Non-side shielded spectacles and face shields alone do not provide adequate protection.

CAUTION:



EAR PROTECTION may be required in some environments. As the working area may include exposure to high noise levels which can lead to hearing damage, the employer and user should ensure that any necessary hearing protection is provided and used by the operator and others in the work area.

AIR SUPPLY AND CONNECTIONS

▲ WARNING:

Do not use oxygen, combustible gases, or bottled gases as a power source for this tool as tool may explode, possibly causing injury.

▲ WARNING:

Do not use supply sources which can potentially exceed 200 P.S.I.G. as tool may burst, possibly causing injury.

▲ WARNING:

The connector on the tool must not hold pressure when air supply is disconnected. If a wrong fitting is used, the tool can remain charged with air after disconnecting and thus will be able to drive a fastener even after the air line is disconnected, possibly causing injury.

▲ WARNING:

Do not pull the trigger or depress the contact trip while connecting the tool to the air supply as the tool may cycle, possibly causing injury.

▲ WARNING:

Always disconnect air supply: 1.) Before making adjustments; 2.) When servicing the tool; 3.) When clearing a jam; 4.) When tool is not in use; 5.) When moving to a different work area, as accidental actuation may occur, possibly causing injury.

LOADING TOOL

▲ WARNING:

When loading tool: 1.) Never place a hand or any part of body in fastener discharge area of tool; 2.) Never point tool at anyone; 3.) Do not pull the trigger or depress the trip as accidental actuation may occur, possibly causing injury.

OPERATION

▲ WARNING:

Always handle the tool with care: 1.) Never engage in horseplay; 2.) Never pull the trigger unless nose is directed toward the work; 3.) Keep other persons a safe distance from the tool while tool is in operation as accidental actuation may occur, possibly causing injury.

▲ WARNING:

The operator must not hold the trigger pulled on contact trip tools except during fastening operation as serious injury could result if the trip accidentally contacted someone or something, causing the tool to cycle.

▲ WARNING:

Keep hands and body away from the discharge area of the tool. A contact trip tool may bounce from the recoil of driving a fastener and an unwanted second fastener may be driven, possibly causing injury.

▲ WARNING:

Check operation of the contact trip mechanism frequently. Do not use the tool if the trip is not working correctly as accidental driving of a fastener may result. Do not interfere with the proper operation of the contact trip mechanism.

▲ WARNING:

Do not drive fasteners on top of other fasteners as this may cause deflection of fasteners which could cause injury.

MAINTAINING THE TOOL

▲ WARNING:

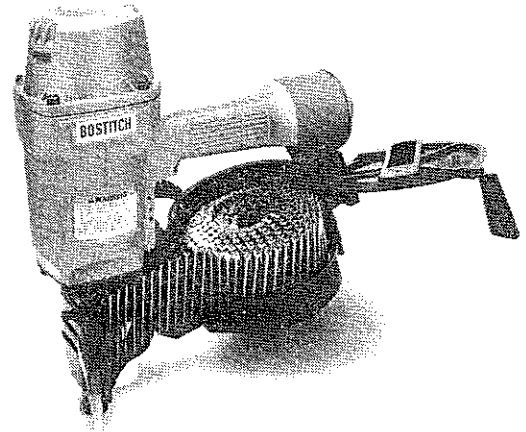
When working on air tools note the warnings in this manual and use extra care when evaluating problem tools.

N80C

High energy coil-fed nailer for building wood crates and pallets, and other heavy duty wood construction jobs.

FEATURES

- Choice of Contact Trip or Sequential Trip operation.
- Easy loading. Open door and swing out cover.
- Adjustable magazine.
- Holds 300 nails.
- Wide range of nail lengths from 1-1/2" to 3-1/4" (38 to 80mm).
- Durable and jam resistant.
- Light allow construction for ease of handling.
- Drives smooth, ring and screw shank nails.
- Angled magazine provides superior maneuverability and balance.



TOOL SPECIFICATIONS

NOTE: All screws and nuts are metric.

MODEL	TOOL OPERATION	LENGTH	HEIGHT	WIDTH	WEIGHT
N80C-1	Contact Trip	12-1/16" (306mm)	13" (330mm)	5-9/16" (140mm)	8lb. 5oz.(4.1kgs)
N80C-2	Sequential Trip	12-1/16" (306mm)	13" (330mm)	5-9/16" (140mm)	8lb. 5oz.(4.1kgs)

TOOL AIR FITTING:

This tool uses a 1/4" N.P.T. male plug. The inside diameter of the fitting should be 9/32"(7mm) or larger. The fitting must be capable of discharging tool air pressure when disconnected from the air supply.

OPERATING PRESSURE:

The operating pressure of the N80C series nailer is 70 to 100 P.S.I.G. (4.9 to 7.0 kg/cm²). Do not exceed 100 P.S.I.G. (7.0kg/cm²). To wear will be greatly increased if excessive pressure is used. **DO NOT EXCEED THIS RECOMMENDED OPERATING PRESSURE.**

AIR CONSUMPTION:

The N80C requires 7.8 cubic feet per minute of free air to operate at the rate of 100 nails per minute, at 80 P.S.I.G. Take the actual rate the nailer will be run to determine the amount of air required. For instance, if your nail usage averages 50 nails per minute, you need 50% of the 7.8 C.F.M. which is required for running at 100 nails per minute.

STANLEY-BOSTITCH OFFERS TWO TYPES OF OPERATION FOR THIS SERIES NAILER

CONTACT TRIP

The common operating procedure on "Contact Trip" tools is for the operator to contact the work to actuate the trip mechanism thus driving a nail each time the work is contacted, while keeping the trigger pulled during this nailing cycle. This will give fast nailing operation on many jobs, such as sheathing, decking and pallet assembly.

All pneumatic tools are subject to recoil when driving fasteners. The nailer may bounce, releasing the trip, and if unintentionally allowed to recontact the work surface with the trigger still actuated (finger still holding trigger pulled) an unwanted second fastener will be driven.

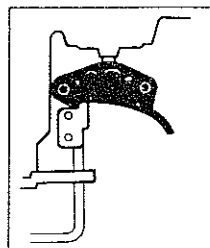
SEQUENTIAL TRIP

The Sequential Trip requires the operator to hold the nailer against the work before pulling the trigger. This makes accurate nail placement easier, for instance on framing, toe nailing and crating applications.

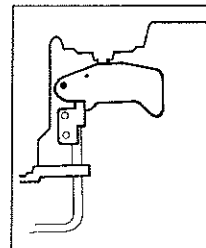
The Sequential Trip allows exact fastener location without the possibility of driving a second fastener on recoil, as described under "Contact Trip". The Sequential Trip has a positive safety advantage because it will not accidentally drive a nail if the tool is contacted against the work — or anything else — while the operator is holding the trigger pulled.

MODEL IDENTIFICATION:

Refer to Operation Instructions on page 7 before proceeding to use this tool.



CONTACT TRIP
Identified by:
Black Trigger



SEQUENTIAL TRIP
Identified by:
Silver Trigger

AIR SUPPLY AND CONNECTIONS

▲ WARNING:

Do not use oxygen, combustible gases, or bottled gases as a power source for this tool as tool may explode, possibly causing injury.

FITTINGS:

Install a male plug on the tool which is free flowing and which will release air pressure from the tool when disconnected from the supply source.

HOSES:

Air hoses should have a minimum of 150 p.s.i. (10.5 kg/cm²) working pressure rating or 150 percent of the maximum pressure that could be produced in the air system, whichever is higher. The supply hose should contain a fitting that will provide "quick disconnecting" from the male plug on the tool.

SUPPLY SOURCE:

Use only clean regulated compressed air as a power source for this tool. **NEVER USE OXYGEN, COMBUSTIBLE GASES, OR BOTTLED GASES, AS A POWER SOURCE FOR THIS TOOL AS TOOL MAY EXPLODE.**

REGULATOR:

A pressure regulator with an operating pressure of 0 - 125 p.s.i. is required to control the operating pressure for safe operation of this tool. Do not connect this tool to air pressure which can potentially exceed 200 p.s.i. as tool may fracture or burst, possibly causing injury.

OPERATING PRESSURE:

Do not exceed recommended maximum operating pressure as tool wear will be greatly increased. The air supply must be capable of maintaining the operating pressure at the tool. Pressure drops in the air supply can reduce the tool's driving power. Refer to "TOOL SPECIFICATIONS" for setting the correct operating pressure for the tool.

FILTER:

Dirt and water in the air supply are major causes of wear in pneumatic tools. A filter will help to get the best performance and minimum wear from the tool. The filter must have adequate flow capacity for the specific installation. The filter has to be kept clean to be effective in providing clean compressed air to the tool. Consult the manufacturers instructions on proper maintenance of your filter. A dirty and clogged filter will cause a pressure drop which will reduce the tool's performance.

LUBRICATION

Frequent, but not excessive, lubrication is required for best performance. Oil added thru the air line connection will lubricate the internal parts. Use STANLEY-BOSTITCH Air Tool Lubricant, Mobil Velocite #10, or equivalent. Do not use detergent oil or additives as these lubricants will cause accelerated wear to the seals and bumpers in the tool, resulting in poor tool performance and frequent tool maintenance.

If no airline lubricator is used, add oil during use into the air fitting on the tool once or twice a day. Only a few drops of oil at a time is necessary. Too much oil will only collect inside the tool and will be noticeable in the exhaust cycle.

COLD WEATHER OPERATION:

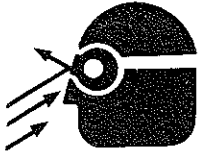
For cold weather operation, near and below freezing, the moisture in the air line may freeze and prevent tool operation. We recommend the use of STANLEY-BOSTITCH WINTER FORMULA air tool lubricant or permanent antifreeze (ethylene glycol) as a cold weather lubricant.

CAUTION: To prevent frost or ice formation on the tool's operating valves and mechanisms that could cause tool failure, do not store tools in a cold weather environment.

NOTE: Some commercial air line drying liquids are harmful to "O"-rings and seals — do not use these low temperature air dryers without checking compatibility.

LOADING NAILER

⚠ WARNING:



EYE PROTECTION which conforms to ANSI specifications and provides protection against flying particles both from the **FRONT** and **SIDE** should **ALWAYS** be worn by the operator and others in the work area when loading, operating or servicing this tool. Eye protection is required to guard against flying fasteners and debris, which could cause severe eye injury.

The employer and/or user must ensure that proper eye protection is worn. Eye protection equipment must conform to the requirements of the American National Standards Institute, ANSI Z87.1—1979 and provide both frontal and side protection. **NOTE:** Non-side shielded spectacles and face shields alone do not provide adequate protection.

1) Open the Magazine:

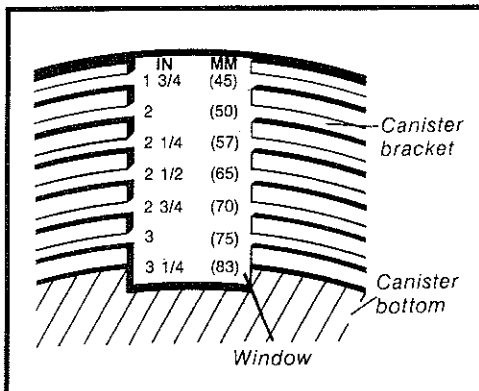
Pull down door latch and swing door open.
Swing magazine cover open.

2) Check Adjustment:

The nailer must be set for the length of nail to be used. Nails will not feed smoothly if the magazine is not correctly adjusted.

The N80C accepts from 1-1/2" to 3-1/4" nails. To change setting:

- Release the canister latch on the rear of the canister.
- Pull out canister bottom by swinging right to left until tabs disengage.
- Inside the canister bracket are settings in inches and millimeters. The canister is adjusted correctly when the length of the nail being used is shown in the window of the canister bottom.



3) Load the Coil of Nails:

Place a coil of nails over the post in the canister. Uncoil enough nails to reach the feed pawl, and place the second nail between the teeth on the feed pawl. The nail heads fit in slot on nose.

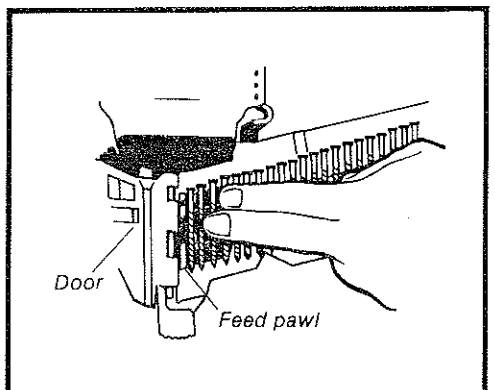
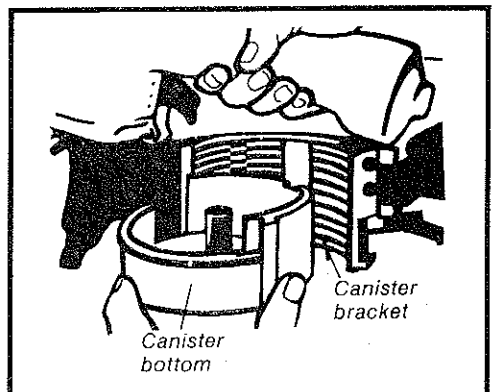
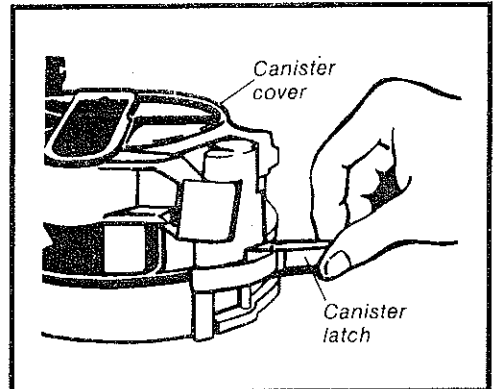
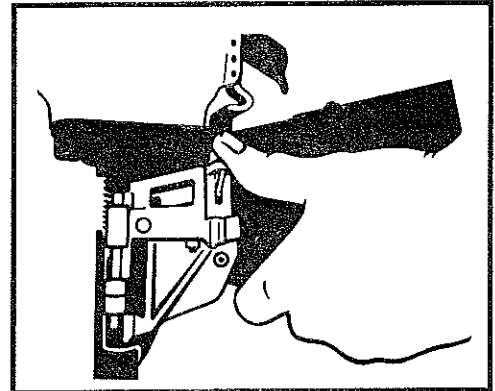
4) Swing Cover Closed

5) Close the door

Check that latch engages.
(If it does not engage, check that the nail heads are in the slot on the nose).

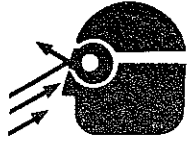
Note: The canister is adjusted correctly for 1-1/2" and 1-3/4" nails when "1-3/4 (45)" appears in the window of the canister bottom.

NOTE: Use only nails recommended by Stanley-Bostitch for use in Stanley-Bostitch N80C Series nailers or nails which meet Stanley-Bostitch specifications.



TOOL OPERATION

▲ WARNING:



EYE PROTECTION which conforms to ANSI specifications and provides protection against flying particles both from the **FRONT** and **SIDE** should **ALWAYS** be worn by the operator and others in the work area when loading, operating or servicing this tool. Eye protection is required to guard against flying fasteners and debris, which could cause severe eye injury.

The employer and/or user must ensure that proper eye protection is worn. Eye protection equipment must conform to the requirements of the American National Standards Institute, ANSI Z87.1—1979 and provide both frontal and side protection. **NOTE:** Non-side shielded spectacles and face shields alone do not provide adequate protection.

BEFORE HANDLING OR OPERATING THIS TOOL:

- I. READ AND UNDERSTAND THE WARNINGS CONTAINED IN THIS MANUAL.**
- II. REFER TO “TOOL SPECIFICATIONS” IN THIS MANUAL, TO IDENTIFY THE OPERATING SYSTEM ON YOUR TOOL.**

There are three available operating systems on STANLEY-BOSTITCH pneumatic tools. They are:

1. TRIGGER OPERATION
2. CONTACT TRIP OPERATION
3. SEQUENTIAL TRIP OPERATION

OPERATION

1. TRIGGER OPERATION:

A TRIGGER OPERATED tool requires a single action to drive a fastener. Each time the trigger is pulled the tool will drive a fastener. The trigger operated model is intended for use only when a contact trip or sequential trip cannot be used due to the requirements of the application.

2. CONTACT TRIP OPERATION:

THE CONTACT TRIP MODEL tool contains a work contacting arm that operates in conjunction with the trigger to drive a fastener. There are two methods of operation to drive fasteners with a contact trip tool.

A. SINGLE FASTENER PLACEMENT: To operate the tool in this manner, position the nose of the tool on the work surface, **WITH FINGER OFF THE TRIGGER**, and depress the contact trip. Pull the trigger to drive a fastener and remove your finger from the trigger after each operation.

B. RAPID FASTENER OPERATION: To operate the tool in this manner, pull the trigger with the tool off the work surface. To drive fasteners, “tap” the nose of the tool against the work surface using a “bouncing” motion. Each depression of the contact trip will drive a fastener.

▲ WARNING:

The operator must not hold the trigger pulled on contact trip tools except during fastening operation, as serious injury could result if the trip accidentally contacted someone or something, causing the tool to cycle.

▲ WARNING:

Keep hands and body away from the discharge area of the tool. A contact trip tool may bounce from the recoil of driving a fastener and an unwanted second fastener may be driven, possibly causing injury.

OPERATOR NOTE:

Do not press the tool against the work surface with “extra force” but instead allow the tool to recoil off the work surface to avoid a second unwanted fastener.

3. SEQUENTIAL TRIP OPERATION:

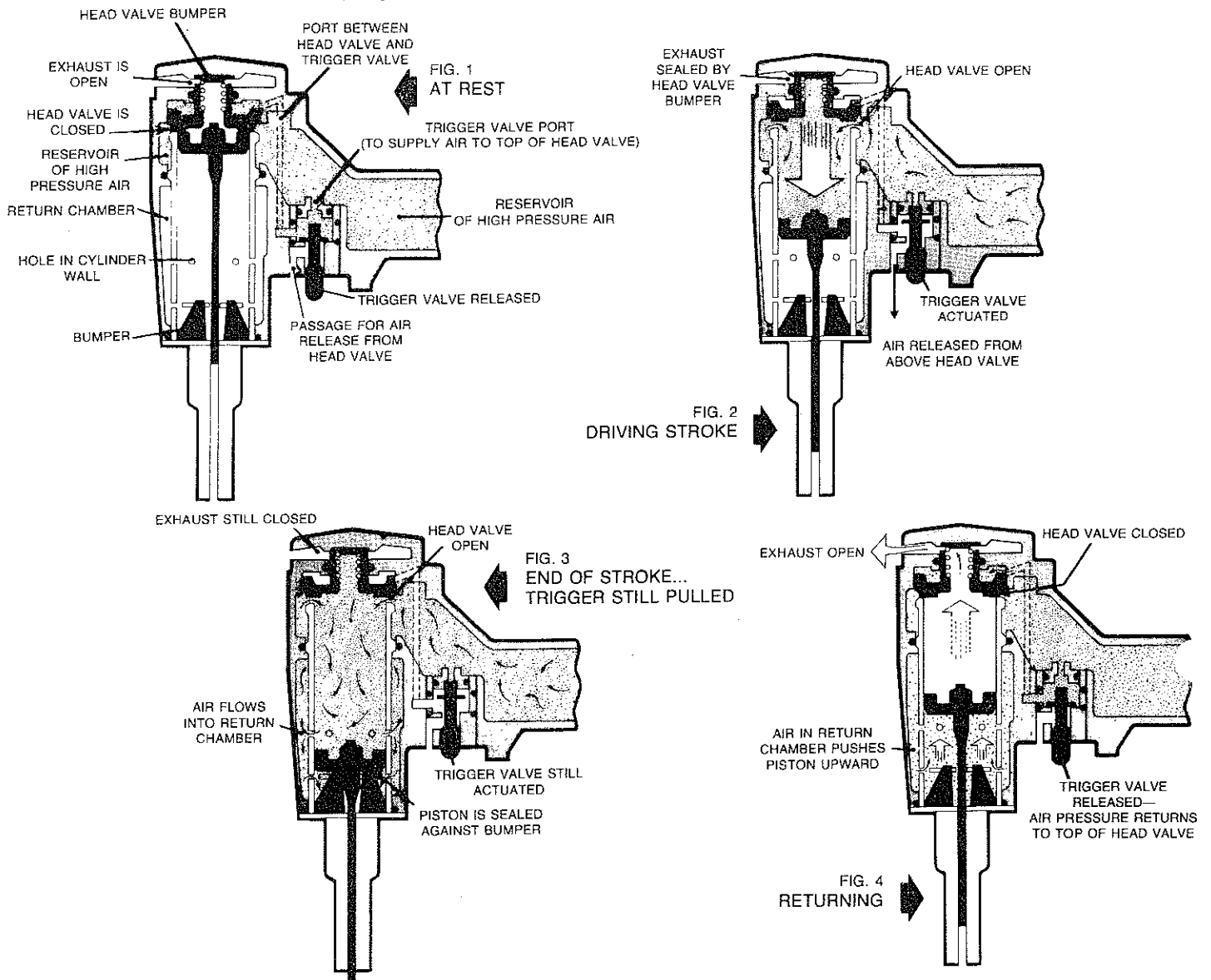
THE SEQUENTIAL TRIP MODEL contains a work contacting arm that operates in conjunction with the trigger to drive a fastener. There is only one method of operation to drive fasteners with a sequential trip tool, and that is single fastener placement. To operate the tool, release the trigger, press the nose of the tool on the work surface, then pull the trigger to drive a fastener. This sequence must be performed for each fastener to be driven.

The Sequential Trip Model provides a positive safety advantage because it will not accidentally drive a fastener if the nose of the tool is unintentionally allowed to recontact the work surface or anything else, with finger on the trigger.

BASIC TOOL OPERATION:

STANLEY-BOSTITCH pneumatic tools are cycled by a compressed air operated single piston design. The following illustrations show the four functional cycles that occur when the tool is operated to drive a fastener:

BASIC SINGLE PISTON STAPLER/NAILER



MAINTAINING THE PNEUMATIC TOOL

⚠ WARNING: When working on air tools, note the warnings in this manual, and use extra care evaluating problem tools.

REPLACEMENT PARTS:

STANLEY-BOSTITCH replacement parts are recommended. Do not use modified parts or parts which will not give equivalent performance to the original equipment.

ASSEMBLY PROCEDURE FOR SEALS:

When repairing a tool, make sure the internal parts are clean and lubricated. Use Parker "O"-LUBE or equivalent on all "O"-rings. Coat each "O"-ring with "O"-LUBE before assembling. Use a small amount of oil on all moving surfaces and pivots. After reassembly add a few drops of STANLEY-BOSTITCH Air Tool Lubricant through the air line fitting before testing.

AIR SUPPLY-PRESSURE AND VOLUME:

Air volume is as important as air pressure. The air volume supplied to the tool may be inadequate because of undersized fittings and hoses, or from the effects of dirt and water in the system. Restricted air flow will prevent the tool from receiving an adequate volume of air, even though the pressure reading is high. The results will be slow operation, misfeeds or reduced driving power. Before evaluating tool problems for these symptoms, trace the air supply from the tool to the supply source for restrictive connectors, swivel fittings, low points containing water and anything else that would prevent full volume flow of air to the tool.

TOOL OPERATION CHECK:

CAUTION: Remove all fasteners from tool before performing tool operation check.

1. TRIGGER OPERATED TOOL:

- A. With finger off the trigger, hold the tool with a firm grip on the handle.
- B. Place the nose of the tool against the work surface.
- C. Pull the trigger to drive. Release the trigger and cycle is complete.

CAUTION: THE TOOL WILL CYCLE EACH TIME THE TRIGGER IS PULLED!

2. CONTACT TRIP OPERATION:

- A. With finger off the trigger, press the contact trip against the work surface.
THE TOOL MUST NOT CYCLE.
- B. Hold the tool off the work surface, and pull the trigger.
THE TOOL MUST NOT CYCLE.
- C. With the tool off the work surface, pull the trigger. Press the contact trip against the work surface.
THE TOOL MUST CYCLE.
- D. Without touching the trigger, press the contact trip against the work surface, then pull the trigger.
THE TOOL MUST CYCLE.

3. SEQUENTIAL TRIP OPERATION:

- A. Press the contact trip against the work surface, without touching the trigger.
THE TOOL MUST NOT CYCLE.
- B. Hold the tool off the work surface and pull the trigger.
THE TOOL MUST NOT CYCLE.
Release the trigger. The trigger must return to the trigger stop on the frame.
- C. Pull the trigger and press the contact trip against the work surface.
THE TOOL MUST NOT CYCLE.
- D. With finger off the trigger, press the contact trip against the work surface. Pull the trigger.
THE TOOL MUST CYCLE.

IN ADDITION TO THE OTHER WARNINGS CONTAINED IN THIS MANUAL OBSERVE THE FOLLOWING FOR SAFE OPERATION

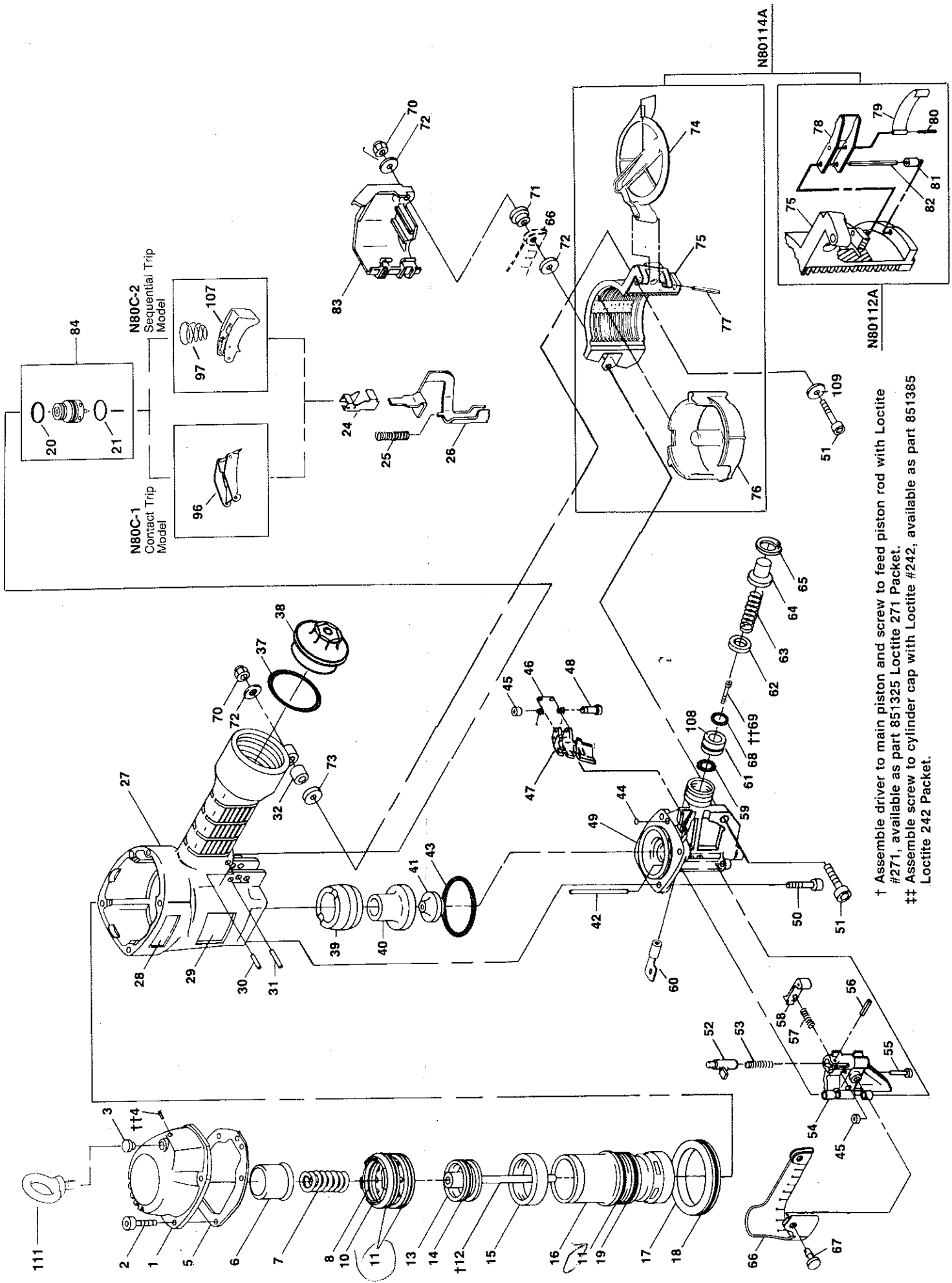
- Use the STANLEY-BOSTITCH pneumatic tool only for the purpose for which it was designed.
- Never use this tool in a manner that could cause a fastener to be directed toward the user or others in the work area.
- Do not use the tool as a hammer.
- Always carry the tool by the handle. Never carry the tool by the air hose.
- Do not alter or modify this tool from the original design or function without approval by STANLEY-BOSTITCH, INC.
- Always be aware that misuse and improper handling of this tool can cause injury to yourself and others.
- Never clamp or tape the trigger or contact trip in an actuated position.
- Never leave a tool unattended with the air hose attached.
- Do not operate this tool if it does not contain a legible WARNING LABEL.

TROUBLE SHOOTING

PROBLEM	CAUSE	CORRECTION
Trigger valve housing leaks air	O-ring cut or cracked	Replace O-ring
Trigger valve stem leaks air	O-ring/seals cut or cracked	Replace O-ring/seals
Frame/nose leaks air	Loose nose screws	Tighten and recheck
	O-ring cut or cracked	Replace O-ring
	Bumper cracked/worn	Replace bumper
Frame/cap leaks air	Cracked gasket	Replace gasket
	Cracked/worn head valve bumper	Replace bumper
	Loose cap screws	Tighten and recheck
Failure to cycle	Air supply restriction	Check air supply equipment
	Tool dry, lack of lubrication	Use STANLEY-BOSTITCH Air Tool Lubricant
	Worn head valve O-rings	Replace O-rings
	Broken cylinder cap spring	Replace cylinder cap spring
	Head valve stuck in cap	Disassemble/Check/Lubricate
Lack of power Slow to cycle	Tool dry, lacks lubrication	Use STANLEY-BOSTITCH Air Tool Lubricant
	Broken cylinder cap spring	Replace cap spring
	O-rings/seals cut or cracked	Replace O-rings/seals
	Exhaust blocked	Check bumper, head valve spring
	Trigger assembly worn/leaks	Replace trigger assembly
	Dirt/tar build up on driver	Disassemble nose/driver to clean
	Cylinder sleeve not seated correctly on bottom bumper	Disassemble to correct
	Head valve dry	Disassemble/lubricate
Skipping fasteners Intermittent feed	Air pressure too low	Check air supply equipment
	Worn bumper	Replace bumper
	Tar/dirt in driver channel	Disassemble and clean nose and driver
	Air restriction/inadequate air flow through quick disconnect socket & plug	Replace quick disconnect fittings
	Worn piston O-ring	Replace O-ring, check driver
	Tool dry, lacks lubrication	Use STANLEY-BOSTITCH Air Tool Lubricant
	Damaged pusher spring	Replace spring
	Low air pressure	Check air supply system to tool
	Loose magazine nose screws	Tighten all screws
	Fasteners too short for tool	Use only recommended fasteners
	Bent fasteners	Discontinue using these fasteners
	Wrong size fasteners	Use only recommended fasteners
	Leaking head cap gasket	Tighten screws/replace gasket
	Trigger valve O-ring cut/worn	Replace O-ring
	Broken/chipped driver	Replace driver (check piston O-ring)
Dry/dirty magazine	Clean/lubricate use STANLEY-BOSTITCH Air Tool Lubricant	
Fasteners jam in tool	Worn magazine	Replace magazine
	Driver channel worn	Replace nose/check door
	Wrong size fasteners	Use only recommended fasteners
	Bent fasteners	Discontinue using these fasteners
	Loose magazine/nose screws	Tighten all screws

COIL NAILERS

Skipping fasteners Intermittent feed	Feed piston dry	Add STANLEY-BOSTITCH Air Tool Lubricant in hole in feed piston cover
	Feed piston O-rings cracked/worn	Replace O-rings/check bumper and spring. Lubricate assembly.
	Check Pawl binding	Inspect Pawl and spring on door. Must work freely.
	Canister bottom not set correctly	Set canister bottom for length of nails being used.
	Broken weld wires in nail coil	Discontinue using
Fasteners jam in tool/canister	Wrong size fasteners for tool	Use only recommended fasteners/check canister bottom adjustment
	Broken welded wires in nail coil	Discontinue using



† Assemble driver to main piston and screw to feed piston rod with Loctite #271, available as part 851325 Loctite 271 Packet.
 ‡ Assemble screw to cylinder cap with Loctite #242, available as part 851385 Loctite 242 Packet.

PARTS COMMON TO N80C-1 & N80C-2

Item No.	Part No.	Description	Item No.	Part No.	Description	Item No.	Part No.	Description
1	N80115A	Cylinder Cap Unit	30	MPG030020	Roll Pin 3 x 20	62	N80123	Feed Piston Bumper
2	MSC6100-25	Screw M 6 x 25	31	MPG030025	Roll Pin 3 x 25	63	N80122	Feed Piston Spring
3	854064	Grommet	32	N70143	Rubber Bushing	64	N80124	Feed Piston Cover
**4	MSS5080-5P	Screw M 5 x 5	37	MRG049431	O-Ring 1AG50	65	851383	Retaining Ring - Metric
5	N70118	Cylinder Cap Seal	38	N80140	End Cap	66	N80129	Dust Cover
6	N70153	Piston Stop	39	N70156	Bumper "A"	67	N50089	Dust Cover Hook
7	854015	Compression Spring-3195	40	N70157	Bumper "B"	68	LW14.2	Lock Washer - H.C.
8	MRG041630	O-ring 1A 3.1 x 41.5	41	N80130	Driver Guide	69	MSC6100-16	Screw M6 x 16
10	N80337	Head Valve Piston	42	N80125	Door Hinge Pin	70	MHE6100-100	Nut M 6 x 1
11	851438	O-Ring	43	MRG003515	O-Ring 1A 1.5 x 53.5	71	N70141	Collar
†12	N80153A	Replacement Driver	44	MRG004216	O-Ring 1A 1.6 x 4.2	72	MPW 6.2	Washer 138
†13	N70133	Main Piston	45	854004	Rubber Washer-7	73	N80107	Magazine Spacer
14	851439	O-Ring	46	N80120	Feed Pawl Spring	**74	N80102	Canister Cover
15	N70155	Cylinder Seal	47	N80119	Feed Pawl	*75	N80101	Canister Bracket
16	N80117	Cylinder Sleeve	48	N50087	Step Pin 1263	**76	N80103	Canister Bottom
17	N70154	Cylinder Ring	49	N80118	Nose	**77	UB5130	Spiral Pin 1/4 x 1 7/8
18	MRG084431	O-Ring 1AG90	50	MSC8125-28	Screw M 8 x 28	*78	N80109	Canister Latch
19	MRG05565†	O-Ring 1AP56	51	MSC6100-40	Screw M 6 x 40	*79	N80108	Latch Spring
20	86459	O-Ring	52	N70150	Door Latch	*80	UB2110.4	Roll Pin 1/8 x 1 5/8
21	MRG019824	O-Ring 1AP20	53	854013	Compression Spring-3167	*81	N80106	Latch Spacer
22	MRG002514	O-Ring 1B 1.4 x 2.5	54	N80126	Door	*82	UB2126	Roll Pin 1/8 x 1 5/8
23	MPG030016	Roll Pin 3 x 16	55	N70140	Step Pin	83	N80131	Guard
24	N70145	Arm Guide	56	MPG030012	Roll Pin 3 x 12	††84	N86122A	Trigger Valve Assembly
25	N80132	C.T. Spring -- N80	57	854011	Compression Spring-3109	108	N80128	Feed Piston
26	N80127	Serrated Trip - Black	58	CN30584	Check Pawl	109	PW14.6	Plain Washer
27	N80139	Frame	59	MRG009824	O-Ring 1AP10	‡111	851756	Hanger
28	N70148	"Stanley-Bostitch" Label	60	N80121	Feed Piston Rod			
29	851392	Warning Label	61	851384	O-Ring			

PARTS SPECIAL TO N80C-1

Item No.	Part No.	Description
96	N80147	Trigger

PARTS SPECIAL TO N80C-2

Item No.	Part No.	Description
97	N60077	Spring
107	N60085A	Trigger Assembly

NOTE: * N80112A Bracket Assembly (not shown) is available and includes N80101, UB2126, N80106, N80108, N80109 and UB2110.4.
 ** N80114A Canister Assembly - Includes N80112A (not shown - see above), N80102, N80103, UB5130.
 *** Included with N80115A.
 † N80157A Driver/Piston Assembly is Available and Includes N80153A and N70133.
 †† A Hard-Tipped Driver (Item No. 12) is Also Available Under Part No. N80133.
 ††† N86122A Trigger Valve Assembly includes items 20 and 21.
 ‡ 851756 Optional Accessory Hanger - Not included with basic tool