

# Operator's Manual



## CTX 9500 Garden Tractor

Model No.

107.250060 (26 Gross HP Briggs & Stratton with 52" Mower)



For answers to your questions about this product, call **Sears Craftsman Help Line** 1-800-659-5917.

Sears Brands Management Corporation, Hoffman Estates, IL 60179 U.S.A.  
Visit our Craftsman website: [www.craftsman.com](http://www.craftsman.com)

1753802  
Revision B



# TABLE OF CONTENTS

Front Cover .....	1
Operator Safety .....	4
Features and Controls .....	10
Operation .....	14
Safety Interlock System Tests .....	14
Maintenance .....	19
Troubleshooting .....	30
Specifications .....	32
Warranty .....	33
Repair Protection Agreement.....	34
Service Parts.....	PTS-1

**Thank you** for purchasing this quality-built CRAFTSMAN mower. We're pleased that you've placed your confidence in the CRAFTSMAN brand. When operated and maintained according to the instructions in this manual, your CRAFTSMAN product will provide many years of dependable service.

This manual contains safety information to make you aware of the hazards and risks associated with mowers and how to avoid them. This product and its approved attachments/accessories are designed and intended only for lawn work or snow removal and are not intended for any other purpose. It is important that you read and understand these instructions thoroughly before attempting to start or operate this equipment. **Save these original instructions for future reference.**

## Where to Find Us

You never have to look far to find support and service for your CRAFTSMAN mower. There are authorized service dealers in North America who provide quality service. You can contact Customer Service by phone at (800) 659-5917, or locate a dealer on the Internet at [www.craftsman.com](http://www.craftsman.com).

## Mower

Model Number \_\_\_\_\_

Serial Number \_\_\_\_\_

## Engine

Model Type Trim \_\_\_\_\_

Date Code \_\_\_\_\_

**Date Purchased** \_\_\_\_\_

# OPERATOR SAFETY

## Operating Safety

Congratulations on purchasing a superior-quality piece of lawn and garden equipment. Our products are designed and manufactured to meet or exceed all industry standards for safety.

Power equipment is only as safe as the operator. If it is misused, or not properly maintained, it can be dangerous! Remember, you are responsible for your safety and that of those around you.

Use common sense, and think through what you are doing. If you are not sure that the task you are about to perform can be safely done with the equipment you have chosen, ask a professional: contact your local authorized dealer.

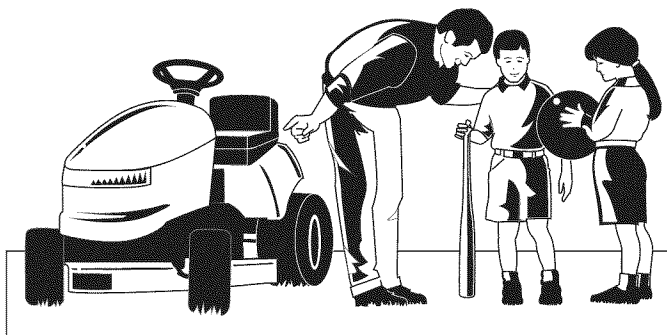


## Read the Manual

The operator's manual contains important safety information you need to be aware of **BEFORE** you operate your unit as well as **DURING** operation.

Safe operating techniques, an explanation of the product's features and controls, and maintenance information is included to help you get the most out of your equipment investment.

Be sure to completely read the Safety Rules and Information found on the following pages. Also completely read the Operation section.



## Children

Tragic accidents can occur with children. Do not allow them anywhere near the area of operation. Children are often attracted to the unit and mowing activity. Never assume that children will remain where you last saw them. If there is a risk that children may enter the area where you are mowing, have another responsible adult watch them.

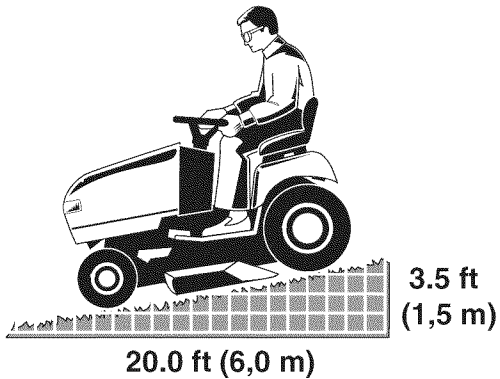
**DO NOT GIVE CHILDREN RIDES ON THIS UNIT!** This encourages them to come near the unit in the future while it is running, and they could be seriously hurt. They may then approach the unit for a ride when you are not expecting it, and you may run over them.

## Reverse

Do not mow in reverse unless absolutely necessary. Always look down and behind before and while traveling in reverse even with the mower blades disengaged.







## Slope Operation

You could be seriously injured or even killed if you use this unit on too steep an incline. Using the unit on a slope that is too steep or where you don't have adequate traction can cause you to lose control or roll over.

A good rule of thumb is to not operate on any slope you cannot back up (in 2-wheel drive mode). You should not operate on inclines with a slope greater than a 3.5 foot rise over a 20 foot length. Always drive up and down slopes: never cross the face.

Also note that the surface you are driving on can greatly impact stability and control. Wet grass or icy pavement can seriously affect your ability to control the unit.

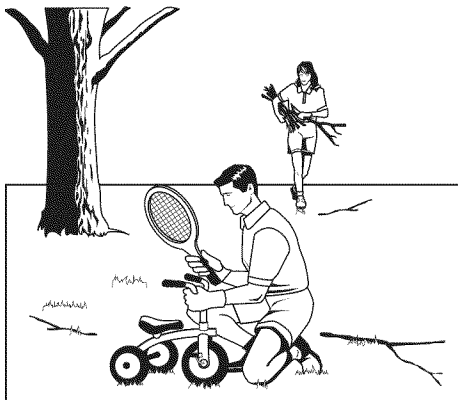
If you feel unsure about operating the unit on an incline, don't do it. It's not worth the risk.

## Moving Parts

This equipment has many moving parts that can injure you or someone else. However, if you are seated in the seat properly, and follow all the rules in this book, the unit is safe to operate.

The mower deck has spinning mower blades that can amputate hands and feet. Do not allow anyone near the equipment while it is running!

To help you, the operator, use this equipment safely, it is equipped with an operator-present safety system. Do NOT attempt to alter or bypass the system. See your dealer immediately if the system does not pass all the safety interlock system tests found in this manual.



## Thrown Objects

This unit has spinning mower blades. These blades can pick up and throw debris that could seriously injure a bystander. Be sure to clean up the area to be mowed BEFORE you start mowing.

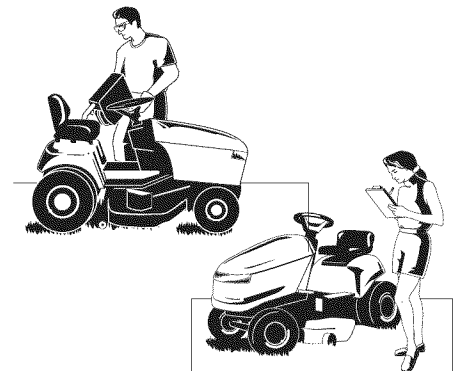
Do not operate this unit without the entire grass catcher or discharge guard (deflector) in place.

Also, do not allow anyone in the area while the unit is running! If someone does enter the area, shut the unit off immediately until they leave.

## Fuel and Maintenance

Gasoline is extremely flammable. Its vapors are also extremely flammable and can travel to distant ignition sources. Gasoline must only be used as a fuel, not as a solvent or cleaner. It should never be stored any place where its vapors can build up or travel to an ignition source like a pilot light. Fuel belongs in an approved, plastic, sealed gas can, or in the tractor fuel tank with the cap securely closed. Spilled fuel needs to be cleaned up immediately.


Proper maintenance is critical to the safety and performance of your unit. Be sure to perform the maintenance procedures listed in this manual, especially periodically testing the safety system.





Read these safety rules and follow them closely. Failure to obey these rules could result in loss of control of unit, severe personal injury or death to you, or bystanders, or damage to property or equipment.

**This mowing deck is capable of amputating hands and feet and throwing objects.**

The triangle  in text signifies important cautions or warnings which must be followed.

## GENERAL OPERATION

1. Read, understand, and follow all instructions in the manual and on the unit before starting.
2. Do not put hands or feet near rotating parts or under the machine. Keep clear of the discharge opening at all times.
3. Only allow responsible adults, who are familiar with the instructions, to operate the unit (local regulations can restrict operator age).
4. Clear the area of objects such as rocks, toys, wire, etc., which could be picked up and thrown by the blade(s).
5. Be sure the area is clear of other people before mowing. Stop the unit if anyone enters the area.
6. Never carry passengers.
7. Do not mow in reverse unless absolutely necessary. Always look down and behind before and while travelling in reverse.
8. Never direct discharge material toward anyone. Avoid discharging material against a wall or obstruction. Material may ricochet back toward the operator. Stop the blade(s) when crossing gravel surfaces.
9. Do not operate the machine without the entire grass catcher, discharge guard (deflector), or other safety devices in place.
10. Slow down before turning.
11. Never leave a running unit unattended. Always disengage the PTO, set parking brake, stop engine, and remove keys before dismounting.
12. Disengage blades (PTO) when not mowing. Shut off engine and wait for all parts to come to a complete stop before cleaning the machine, removing the grass catcher, or unclogging the discharge guard.
13. Operate the machine only in daylight or good artificial light.
14. Do not operate the unit while under the influence of alcohol or drugs.
15. Watch for traffic when operating near or crossing roadways.
16. Use extra care when loading or unloading the unit into a trailer or truck.
17. Always wear eye protection when operating this unit.
18. Data indicates that operators, age 60 years and above, are involved in a large percentage of power equipment-related injuries. These operators should evaluate their ability to operate the equipment safely enough to protect themselves and others from injury.
19. Follow the manufacturer's recommendations for wheel weights or counterweights.
20. Keep in mind the operator is responsible for accidents occurring to other people or property.
21. All drivers should seek and obtain professional and practical instruction.
22. Always wear substantial footwear and trousers. Never operate when barefoot or wearing sandals.
23. Before using, always visually check that the blades and blade hardware are present, intact, and secure. Replace worn or damaged parts.
24. Disengage attachments before: refueling, removing an attachment, making adjustments (unless the adjustment can be made from the operator's position).
25. When the machine is parked, stored, or left unattended, lower the cutting means unless a positive mechanical lock is used.
26. Before leaving the operator's position for any reason, engage the parking brake (if equipped), disengage the PTO, stop the engine, and remove the key.
27. To reduce fire hazard, keep the unit free of grass, leaves, & excess oil. Do not stop or park over dry leaves, grass, or combustible materials.

---

## TRANSPORTING AND STORAGE

1. When transporting the unit on an open trailer, make sure it is facing forward, in the direction of travel. If the unit is facing backwards, wind lift could damage the unit.
2. Always observe safe refueling and fuel handling practices when refueling the unit after transportation or storage.
3. Never store the unit (with fuel) in an enclosed poorly ventilated structure. Fuel vapors can travel to an ignition source (such as a furnace, water heater, etc.) and cause an explosion. Fuel vapor is also toxic to humans and animals.
4. Always follow the engine manual instructions for storage preparations before storing the unit for both short and long term periods.
5. Always follow the engine manual instructions for proper start-up procedures when returning the unit to service.
6. Never store the unit or fuel container inside where there is an open flame or pilot light, such as in a water heater. Allow unit to cool before storing.

## SLOPE OPERATION

Slopes are a major factor related to loss-of-control and tip-over accidents, which can result in severe injury or death. Operation on all slopes requires extra caution. If you cannot back up the slope or if you feel uneasy on it, do not operate on it.

Control of a walk-behind or ride-on machine sliding on a slope will not be regained by the application of the brake. The main reasons for loss of control are: insufficient tire grip on the ground, speed too fast, inadequate braking, the type of machine is unsuitable for its task, lack of awareness of the ground conditions, incorrect hitching and load distribution.

1. Mow up and down slopes, not across.
2. Watch for holes, ruts, or bumps. Uneven terrain could overturn the unit. Tall grass can hide obstacles.
3. Choose a slow speed so that you will not have to stop or change speeds while on the slope.
4. Do not mow on wet grass. Tires may lose traction.
5. Always keep unit in gear especially when traveling down slopes. Do not shift to neutral and coast downhill.
6. Avoid starting, stopping, or turning on a slope. If tires lose traction, disengage the blade(s) and proceed slowly straight down the slope.
7. Keep all movement on slopes slow and gradual. Do not make sudden changes in speed or direction, which could cause the machine to rollover.
8. Use extra care while operating machines with grass catchers or other attachments; they can affect the stability of the unit. Do not use on steep slopes.
9. Do not try to stabilize the machine by putting your foot on the ground (ride-on units).
10. Do not mow near drop-offs, ditches, or embankments. The mower could suddenly turn over if a wheel is over the edge of a cliff or ditch, or if an edge caves in.
11. Do not use grass catchers on steep slopes.
12. Do not mow slopes you cannot back up them.
13. See your authorized dealer/retailer for recommendations of wheel weights or counterweights to improve stability.
14. Remove obstacles such as rocks, tree limbs, etc.
15. Use slow speed. Tires may lose traction on slopes even through the brakes are functioning properly.
16. Do not turn on slopes unless necessary, and then, turn slowly and gradually downhill, if possible.
17. Four Wheel Drive Models: Four Wheel Drive improves access to dangerously sloped terrain, increasing the possibility of roll-over. If the machine stops while going uphill, stop the blades and back down slowly. Avoid sudden turns.

## TOWED EQUIPMENT (RIDE-ON UNITS)

1. Tow only with a machine that has a hitch designed for towing. Do not attach towed equipment except at the hitch point.
2. Follow the manufacturer's recommendations for weight limit for towed equipment and towing on slopes.
3. Never allow children or others in or on towed equipment.
4. On slopes, the weight of the towed equipment may cause loss of traction and loss of control.
5. Travel slowly and allow extra distance to stop.
6. Do not shift to neutral and coast down hill.

## WARNING

Never operate on slopes greater than 17.6 percent (10°) which is a rise of 3-1/2 feet (106 cm) vertically in 20 feet (607 cm) horizontally.

When operating on slopes use additional wheel weights or counterweights. See your dealer/retailer to determine which weights are available and appropriate for your unit.

Select slow ground speed before driving onto slope. In addition to front weights, use extra caution when operating on slopes with rear-mounted grass catchers.

Mow UP and DOWN the slope, never across the face, use caution when changing directions and **DO NOT START OR STOP ON SLOPE.**

## CHILDREN

Tragic accidents can occur if the operator is not alert to the presence of children. Children are often attracted to the unit and the mowing activity. Never assume that children will remain where you last saw them.

1. Keep children out of the mowing area and under the watchful care of another responsible adult.
2. Be alert and turn unit off if children enter the area.
3. Before and during reverse operation, look behind and down for small children.
4. Never carry children, even with the blade(s) off. They may fall off and be seriously injured or interfere with safe unit operation. Children who have been given rides in the past may suddenly appear in the mowing area for another ride and be run over or backed over by the machine.
5. Never allow children to operate the unit.
6. Use extra care when approaching blind corners, shrubs, trees, or other objects that may obscure vision.

## EMISSIONS

1. Engine exhaust from this product contains chemicals known, in certain quantities, to cause cancer, birth defects, or other reproductive harm.
2. Look for the relevant Emissions Durability Period and Air Index information on the engine emissions label.

## IGNITION SYSTEM

1. This spark ignition system complies with Canadian ICES-002.

## SERVICE AND MAINTENANCE

### Safe Handling of Gasoline

1. Extinguish all cigarettes, cigars, pipes, and other sources of ignition.
2. Use only approved gasoline containers.
3. Never remove the gas cap or add fuel with the engine running. Allow the engine to cool before refueling.
4. Never fuel the machine indoors.
5. Never store the machine or fuel container where there is an open flame, spark, or pilot light such as near a water heater or other appliance.
6. Never fill containers inside a vehicle or on a truck bed with a plastic bed liner. Always place containers on the ground away from your vehicle before filling.
7. Remove gas-powered equipment from the truck or trailer and refuel it on the ground. If this is not possible, then refuel such equipment on a trailer with a portable container, rather than from a gasoline dispenser nozzle.
8. Keep nozzle in contact with the rim of the fuel tank or container opening at all times until fueling is complete. Do not use a nozzle lock-open device.
9. If fuel is spilled on clothing, change clothing immediately.
10. Never over-fill the fuel tank. Replace gas cap and tighten securely.
11. Use extra care in handling gasoline and other fuels. They are flammable and vapors are explosive.
12. If fuel is spilled, do not attempt to start the engine but move the machine away from the area of spillage and avoid creating any source of ignition until fuel vapors have dissipated.
13. Replace all fuel tank caps and fuel container caps securely.
12. Do not use gasoline containing METHANOL, gasohol containing more than 10% ETHANOL, gasoline additives, or white gas because engine/fuel system damage could result.
13. If the fuel tank must be drained, it should be drained outdoors.
14. Replace faulty silencers/mufflers.
15. Maintain or replace safety and instruction labels as necessary.
16. Use only factory authorized replacement parts when making repairs.
17. Always comply with factory specifications on all settings and adjustments.
18. Only authorized service locations should be utilized for major service and repair requirements.
19. Never attempt to make major repairs on this unit unless you have been properly trained. Improper service procedures can result in hazardous operation, equipment damage and voiding of manufacturer's warranty.
20. On multiple blade mowers, take care as rotating one blade can cause other blades to rotate.
21. Do not change engine governor settings or over-speed the engine. Operating the engine at excessive speed can increase the hazard of personal injury.
22. Disengage drive attachments, stop the engine, remove the key, and disconnect the spark plug wire(s) before: clearing attachment blockages and chutes, performing service work, striking an object, or if the unit vibrates abnormally. After striking an object, inspect the machine for damage and make repairs before restarting and operating the equipment.
23. Never place hands near the moving parts, such as a hydro pump cooling fan, when the tractor is running. (Hydro pump cooling fans are typically located on top of the transaxle).
24. Units with hydraulic pumps, hoses, or motors: **WARNING:** Hydraulic fluid escaping under pressure may have sufficient force to penetrate skin and cause serious injury. If foreign fluid is injected into the skin it must be surgically removed within a few hours by a doctor familiar with this form of injury or gangrene may result. Keep body and hands away from pin holes or nozzles that eject hydraulic fluid under high pressure. Use paper or cardboard, and not hands, to search for leaks. Make sure all hydraulic fluid connections are tight and all hydraulic hoses and lines are in good condition before applying pressure to the system. If leaks occur, have the unit serviced immediately by your authorized dealer.

### Service & Maintenance

1. Never run the unit in an enclosed area where carbon monoxide fumes may collect.
2. Keep nuts and bolts, especially blade attachment bolts, tight and keep equipment in good condition.
3. Never tamper with safety devices. Check their proper operation regularly and make necessary repairs if they are not functioning properly.
4. Keep unit free of grass, leaves, or other debris build-up. Clean up oil or fuel spillage. and remove any fuel-soaked debris. Allow machine to cool before storage.
5. If you strike an object, stop and inspect the machine. Repair, if necessary, before restarting.
6. Never make adjustments or repairs with the engine running.
7. Check grass catcher components and the discharge guard frequently and replace with manufacturer's recommended parts, when necessary.
8. Mower blades are sharp. Wrap the blade or wear gloves, and use extra caution when servicing them.
9. Check brake operation frequently. Adjust and service as required.
10. Maintain or replace safety and instructions labels, as necessary.
11. Do not remove the fuel filter when the engine is hot as spilled gasoline may ignite. Do not spread fuel line clamps further than necessary. Ensure clamps grip hoses firmly over the filter after installation.
25. **WARNING:** Stored energy device. Improper release of springs can result in serious personal injury. Springs should be removed by an authorized technician.
26. Models equipped with an engine radiator: **WARNING:** Stored energy device. To prevent serious bodily injury from hot coolant or steam blow-out, never attempt to remove the radiator cap while the engine is running. Stop the engine and wait until it is cool. Even then, use extreme care when removing the cap.

# Decal Locations (Safety and Operation)

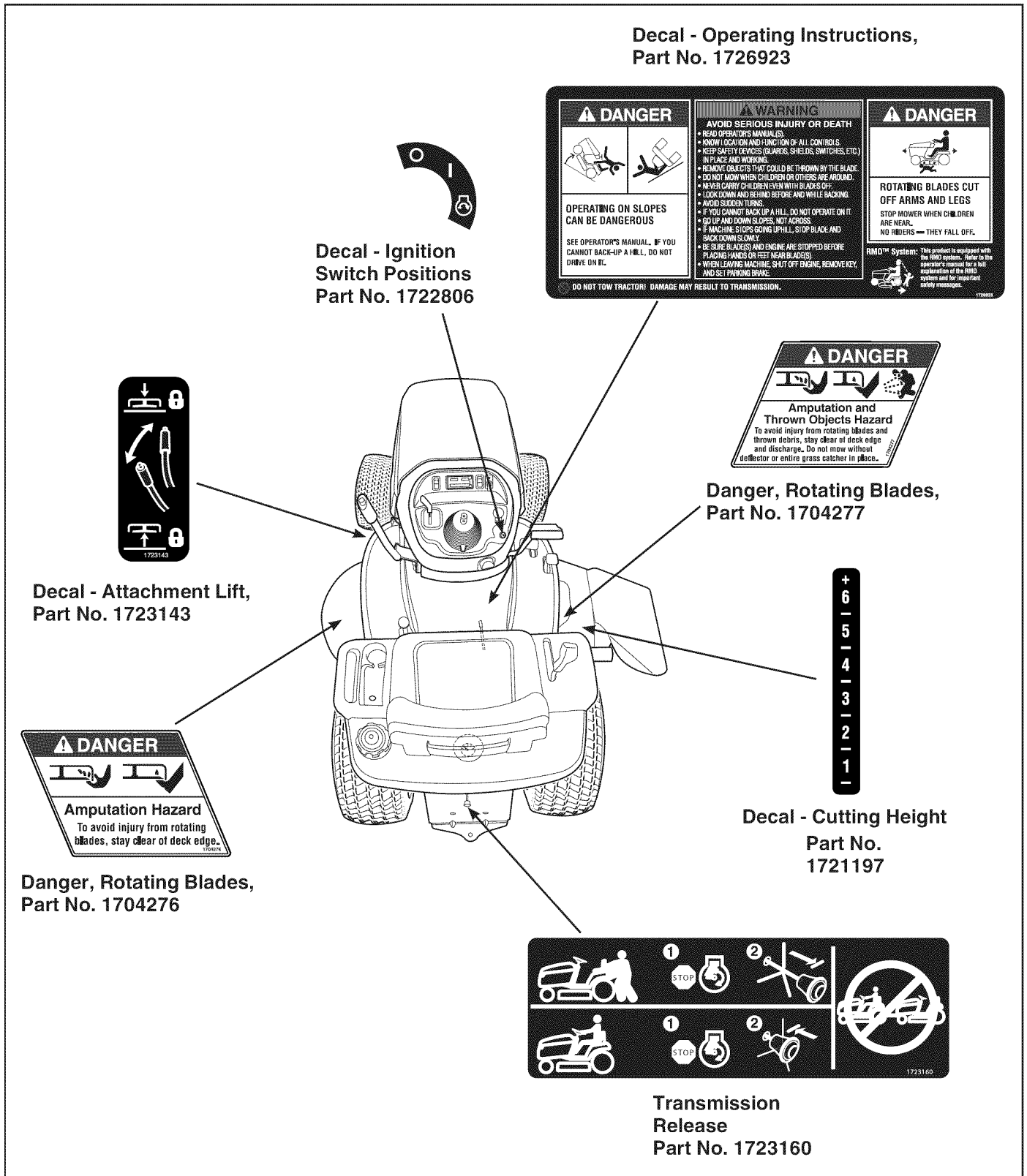


Figure 1





## PTO Switch

The PTO (Power Take-Off) switch engages and disengages attachments that use the PTO. To engage the PTO, pull UP on the switch. Push DOWN to disengage.

*Note that the operator must be seated firmly in the tractor seat for the PTO to function.*



## Ignition Switch

The ignition switch starts and stops the engine, it has three positions:



**OFF** Stops the engine and shuts off the electrical system.



**RUN** Allows the engine to run and powers the electrical system.



**START** Cranks the engine for starting.

*NOTE: Never leave the ignition switch in the RUN position with the engine stopped–this drains the battery.*



## Brake Pedal

Depressing the brake pedal applies the tractor brake.



## Ground Speed Pedals

The tractor's forward ground speed is controlled by the forward ground speed control pedal. The tractor's reverse ground speed is controlled by the reverse ground speed control pedal.

Depressing either pedal will increase ground speed. Note that the further down the pedal is depressed, the faster the tractor will travel.



## Parking Brake

The parking brake knob is used to lock the parking brake when the tractor is stopped. Fully depressing the brake pedal and pulling up on the knob engages the parking brake



## Mower Height of Cut Adjustment

The cutting height is adjustable between 1.0" and 4.0" (2,5 and 10,2 cm).

The cutting height adjustment switch controls the mower cutting height. This same switch also controls the spout rotator motor when a snowthrower is installed. The arrows on the switch correspond to the direction of adjustment (UP arrow raises cutting height, RIGHT arrow rotates the spout right, etc). When the adjustment indicator has reached the end of its travel, release the switch; holding the switch down will damage the motor.



## Cruise Control

The cruise control is used to lock the ground speed control in forward. Move the lever forward until the desired ground speed is reached. To disengage the cruise control move the lever back. In the event you need to stop quickly, depressing the brake pedal will also return the cruise control to neutral.



## Seat Adjustment Lever

The seat can be adjusted forward and back. Move the lever, position the seat as desired, and release the lever to lock the seat into position.



## Transmission Release Valve Lever

The transmission release valve lever deactivates the transmission so that the tractor can be pushed by hand. See *Pushing the Tractor by Hand*.



## Fuel Tank

To remove the cap, turn counterclockwise. The fuel gauge is part of the dashboard.



## 12V Power Outlet

The power outlet is 12V-DC. Accessory must be rated at 9 amps or less.



## Differential Lock Pedal

Depressing this pedal locks the transmission differential, locking both rear wheels into "drive".

Use this feature if the tractor is stuck because one wheel is slipping. **Engage the differential lock at slow ground speeds only.**



## Attachment Lift Control Lever

When using the mower deck, lift the deck off the ground while transporting to and from the job site. **DO NOT** cut with the mower in the raised, transport position.

The attachment lift control lever raises and lowers attachments that utilize the tractor's manual lift linkage. To lower an attachment: pull the lever back slightly, depress the release button, and push the lever forward until it locks in the lowered position. To raise an attachment: push the lever forward slightly, depress the release button, then pull the lever back until it locks in the raised position.

## Dashboard Display and Functions

### A. FUEL LEVEL

Indicates the amount of fuel in the fuel tank. Left is empty; right is full (Figure 3).

### B. HOUR METER / CLOCK / SERVICE INDICATOR

Displays the clock, hour meter, and maintenance reminder.

The hour meter measures the number of hours the key has been in the RUN position. The hour meter will flash an initial oil change indicator at 5 hours, and a lubrication reminder every 50 hours. These reminders display for approximately two hours and will automatically reset themselves.

*NOTE: The hour meter will register the passage of time when the key is in the RUN position, even if the engine is not running. The hour meter has a self contained power source so the total hours are always visible.*

### C. SELECT BUTTON

Used to set the clock and reset the maintenance reminder.

### D. SET BUTTON

Used to set the clock and reset the maintenance reminder.

### E. PTO LIGHT

Indicates the PTO switch is in the ON position.

### F. CRUISE CONTROL LIGHT

Indicates that the cruise control is engaged.

### G. LOW OIL PRESSURE LIGHT

Indicates that the engine oil pressure is low. The light will turn on when the tractor is first started and then go out. IF THIS LIGHT TURNS ON WHILE THE TRACTOR IS IN USE, TURN THE ENGINE OFF IMMEDIATELY. Contact Sears Service.

### H. LOW VOLTAGE LIGHT

Indicates that the electrical system voltage is low. The light will turn on when the tractor is first started and then go out. IF THIS LIGHT TURNS ON WHILE THE TRACTOR IS IN USE, TURN THE ENGINE OFF IMMEDIATELY. Contact Sears Service.

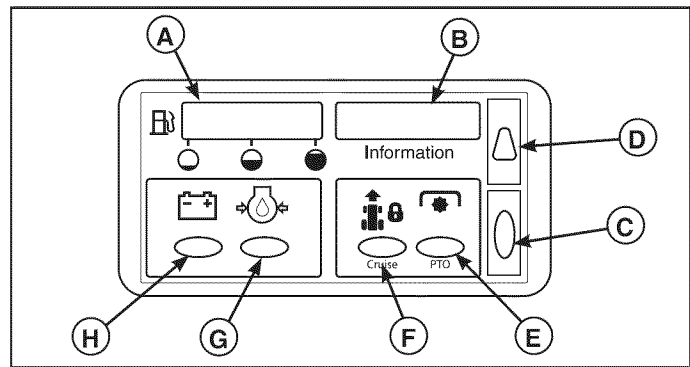


Figure 3

## Functions

**Display Total Running Hours** - When the key switch is first turned to the RUN position, all warning indicators will light and the total running hours will be displayed. Be sure all lights are functioning.

**Display PTO Hours** - Turn the key OFF, engage the PTO, and turn the key to RUN (engine off).

**Set the Clock** - Start the engine, leave the engine running. Depress the select button (C) for three (3) seconds and release. Depress set button and HOLD to advance time. Depress select button to select minutes. Depress and HOLD set button (D) to advance time. Leave alone for 5 seconds and clock will activate. Shut off engine.

**Demonstration Mode** - With the engine off, hold down the set button (D) and turn the key switch to RUN.

**Maintenance Reminder** - A maintenance reminder will display in the information window (B) after the first 5 hours of operation, and then after every 50 hours. The reminder will automatically reset after 5 hours. The reminder can be manually reset by turning the key switch from OFF to RUN (with engine off) and then depressing the set (D) and select (C) buttons simultaneously for 5 seconds.



## Parking Brake Function

**Applying the Parking Brake** - See Figure 4. To lock the parking brake, release the ground speed pedals (A), fully depress the brake pedal (B), pull UP on the parking brake knob (C), and then release brake pedal.

**Releasing the Parking Brake** - See Figure 4. To release the parking brake, fully depress the brake pedal (B) and push the parking brake knob (C) DOWN.

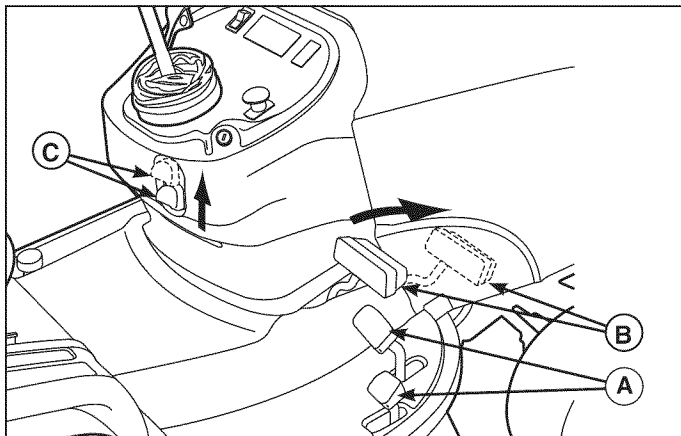


Figure 4

## Advanced Traction Control

### What is Advanced Traction Control?

Advanced Traction Control (ATC) is an exclusive feature of our transmissions that provides improved traction. ATC applies a preset amount of torque to both rear wheels even if one starts slipping (a transmission without ATC will lose traction completely if one rear wheel starts slipping). This preset torque is just enough to provide additional traction, and still allow the wheels to turn at different speeds in a tight turn without damaging the lawn.

### What to Expect from Your ATC Tractor

For the most part, while using your tractor you will not notice ATC working, and you will simply become accustomed to increased traction an ATC transmission provides.

Under certain circumstances the ATC system limit can be exceeded, and one of the rear wheels may slip (for instance if trying to turn up a hill while accelerating). This is normal. If you start to lose traction, do not speed up. Instead, slow to a stop, straighten the steering wheel, and slowly accelerate. Stopping the tractor allows the transmission to regain more traction.

## 12 Volt Power Outlet

The 12-volt accessory plug is located in the left side pod. It can be used to power small electronic devices. The accessory must be rated at 9 amps or less.

*NOTE: Operating a 12-volt accessory, especially with the engine at idle, may cause battery discharge. When not using the accessory plug it must be covered with the rubber plug to prevent moisture from causing a short circuit. Entrance of water into plug can cause a short circuit.*

# OPERATION

## Safety Interlock System Tests

This unit is equipped with safety interlock switches and other safety devices. These safety systems are present for your safety: do not attempt to bypass safety switches, and never tamper with safety devices.

### WARNING

If the unit does not pass a safety test, do not operate it. See your authorized dealer.

#### Test 1 — Engine should NOT crank if:

- PTO switch is ON, OR
- Brake pedal is NOT fully depressed (parking brake OFF), OR
- The cruise control lever is NOT in NEUTRAL.

#### Test 2 — Engine SHOULD crank if:

- PTO switch is OFF, AND
- Brake pedal is fully depressed (parking brake ON), AND
- The cruise control lever is in NEUTRAL.

#### Test 3 — Engine should SHUT OFF if:

- Operator rises off seat with PTO engaged, OR
- Operator rises off seat with brake pedal NOT fully depressed (parking brake OFF).

#### Test 4 — Check Mower Blade Stopping Time

Mower blades and mower drive belt should come to a complete stop within five seconds after electric PTO switch is turned OFF. If mower drive belt does not stop within five seconds, contact Sears Service.

#### Test 5 — Check Reverse Mow Option (RMO)

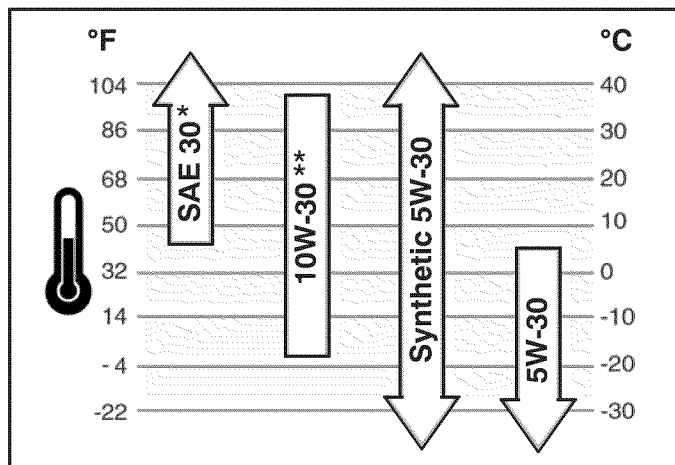
- Engine should shut off if reverse travel is attempted if the PTO has been switched on and RMO has not been activated.
- RMO light should illuminate when RMO has been activated.

*NOTE: Once the engine has stopped, the PTO switch must be turned off after the operator returns to the seat in order to start the engine.*

## Oil Recommendations

We recommend the use of Briggs & Stratton Warranty Certified oils for best performance. Other high-quality detergent oils are acceptable if classified for service SF, SG, SH, SJ or higher. Do not use special additives.

Outdoor temperatures determine the proper oil viscosity for the engine. Use the chart to select the best viscosity for the outdoor temperature range expected.



\* Below 40°F (4°C) the use of SAE 30 will result in hard starting.

\*\* Above 80°F (27°C) the use of 10W-30 may cause increased oil consumption. Check oil level more frequently.

## Checking/Adding Oil

### Before adding or checking the oil

- Place engine level.
  - Clean the oil fill area of any debris.
1. Remove the dipstick (A, Figure 5) and wipe with a clean cloth.
  2. Insert and tighten the dipstick.
  3. Remove the dipstick and check the oil level. It should be at the FULL mark (B) on the dipstick.
  4. If low, add oil slowly into the engine oil fill (C). **Do not overfill.** After adding oil, wait one minute and then recheck the oil level.

*NOTE: Do not add oil at the quick oil drain (if equipped).*

5. Replace and tighten the dipstick.

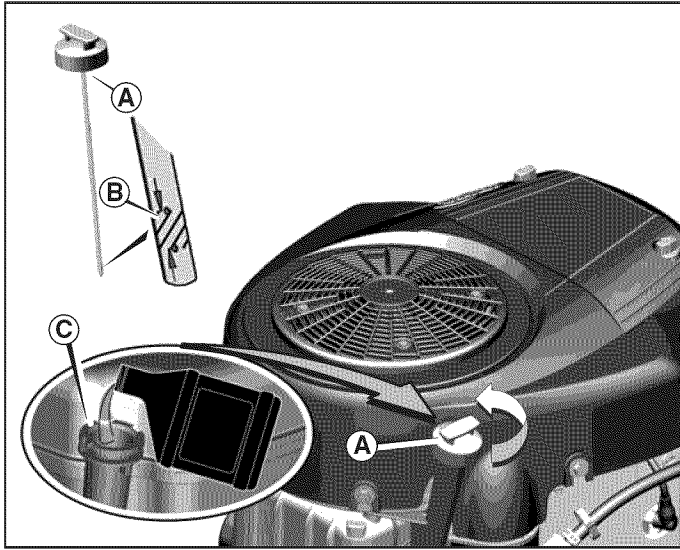


Figure 5

## Oil Pressure

If the oil pressure is too low, a pressure switch (if equipped) will either stop the engine or activate a warning device on the equipment. If this occurs, stop the engine and check the oil level with the dipstick.

If the oil level is below the ADD mark, add oil until it reaches the FULL mark. Start the engine and check for proper pressure before continuing to operate.

If the oil level is between the ADD and FULL marks, **do not start** the engine. Contact an authorized dealer to have the oil pressure problem corrected.

## Fuel Recommendations

### Fuel must meet these requirements:

- Clean, fresh, unleaded gasoline.
- A minimum of 87 octane/87 AKI (91 RON). High altitude use, see below.
- Gasoline with up to 10% ethanol (gasohol) or up to 15% MTBE (methyl tertiary butyl ether) is acceptable.

**CAUTION:** Do not use unapproved gasolines, such as E85. Do not mix oil in gasoline or modify the engine to run on alternate fuels. This will damage the engine components and **void the engine warranty**.

To protect the fuel system from gum formation, mix a fuel stabilizer into the fuel. See the **Storage** section. All fuel is not the same. If starting or performance problems occur, change fuel providers or change brands. This engine is certified to operate on gasoline. The emissions control system for this engine is EM (Engine Modifications).

## High Altitude

At altitudes over 5,000 feet (1,524 meters), a minimum 85 octane/85 AKI (89 RON) gasoline is acceptable. To remain emissions compliant, high altitude adjustment is required. Operation without this adjustment will cause decreased performance, increased fuel consumption, and increased emissions. See an authorized dealer for high altitude adjustment information.

Operation of the engine at altitudes below 2,500 feet (762 meters) with the high altitude kit is not recommended.

## Adding Fuel



### WARNING



Fuel and its vapors are extremely flammable and explosive.



Fire or explosion can cause severe burns or death.

### When Adding Fuel

- Turn engine off and let engine cool at least 3 minutes before removing the fuel cap.
- Fill fuel tank outdoors or in well-ventilated area.
- Do not overfill fuel tank. To allow for expansion of the fuel, do not fill above the bottom of the fuel tank neck.
- Keep fuel away from sparks, open flames, pilot lights, heat, and other ignition sources.
- Check fuel lines, tank, cap, and fittings frequently for cracks or leaks. Replace if necessary.
- If fuel spills, wait until it evaporates before starting engine.

1. Clean the fuel cap area of dirt and debris. Remove the fuel cap (A, Figure 6).
2. Fill the fuel tank with fuel. To allow for expansion of the gasoline, do not fill above the bottom of the fuel tank neck.
3. Reinstall the fuel cap.

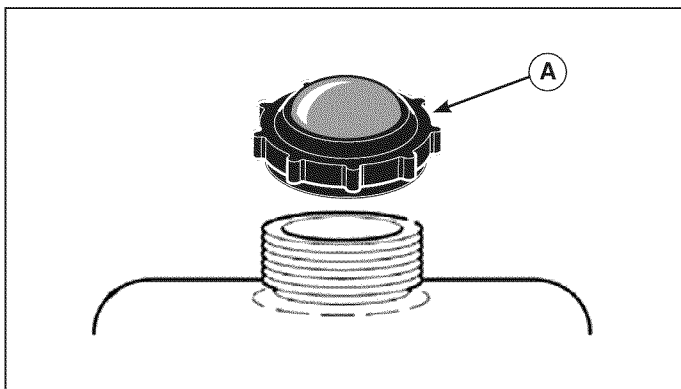


Figure 6

## Starting the Engine



### WARNING

Fuel and its vapors are extremely flammable and explosive.

Fire or explosion can cause severe burns or death.

### When Starting Engine

- Ensure that spark plug, muffler, fuel cap and air cleaner (if equipped) are in place and secured.
- Do not crank engine with spark plug removed.
- If engine floods, set choke (if equipped) to OPEN/RUN position, move throttle (if equipped) to FAST position and crank until engine starts.



### WARNING

Engines give off carbon monoxide, an odorless, colorless, poison gas.

Breathing carbon monoxide can cause nausea, fainting or death.

- Start and run engine outdoors.
- Do not start or run engine in enclosed area, even if doors or windows are open.

1. Check the oil level. See the **How to Check/Add Oil** section.
2. Make sure equipment drive controls are disengaged.
3. Move the throttle control to the FAST position. Operate the engine in the FAST position.
4. Turn the electric start switch to the ON/START position.

**NOTE:** If the engine does not start after repeated attempts, go to [www.craftsman.com](http://www.craftsman.com) or call 1-800-659-5917 (in USA).

**NOTICE:** To extend the life of the starter, use short starting cycles (five seconds maximum). Wait one minute between starting cycles.

## Driving the Tractor

1. Sit in the seat and adjust the seat so that you can comfortably reach all the controls and see the dashboard display.
2. Engage the parking brake.
3. Make sure the PTO switch is disengaged.
4. Start the engine (see **Starting the Engine**).
5. Disengage the parking brake and release the brake pedal.
6. Depress the forward ground speed control pedal to travel forward. Release the pedal to stop. Note that the further down the pedal is depressed the faster the tractor will travel.
7. Stop the tractor by releasing the ground speed control pedals, setting the parking brake, and stopping the engine (see **Stopping the Tractor and Engine**).

## Mowing

1. Set the mower cutting height to the desired level and set the gauge wheels to the appropriate position.
2. Engage the parking brake. Make sure the PTO switch is disengaged.
3. Start the engine (see **Starting the Engine**).
4. Move the throttle control to the FAST position.
5. Engage the PTO (Mower Deck).
6. Begin mowing.
7. When finished, shut off the PTO and raise the mower using the attachment lift control lever.
8. Stop the engine (see **Stopping the Tractor and Engine**).

## **⚠ WARNING**

The engine will shut off if the reverse ground speed pedal is depressed while the PTO is on and the RMO has not been activated. The operator should always turn the PTO off prior to driving across on roads, paths or any area that maybe used by other vehicles. Sudden loss of drive could create a hazard.

## **⚠ WARNING**

Mowing in reverse can be hazardous to bystanders. Tragic accidents can occur if the operator is not alert to the presence of children. Never activate RMO if children are present. Children are often attracted to the unit and the mowing activity.

### **Mowing in Reverse (RMO)**

If an operator chooses to mow in reverse, the RMO system can be used. To use the Reverse Mowing Option (RMO) turn the RMO key after the PTO is engaged. The L.E.D. light will illuminate, and the operator can then mow in reverse. Each time the PTO is engaged the RMO needs to be reactivated if desired. The key should be removed to restrict access to the RMO feature.

### **Attachment Operation in Reverse**

If an operator chooses to operate a PTO driven attachment in reverse, the RMO system can be used. To use the Reverse Mowing Option (RMO) turn the RMO key after the PTO is engaged. The L.E.D. light will illuminate, and the operator can then operate the attachment in reverse. Each time the PTO is disengaged the RMO needs to be reactivated if desired. The key should be removed to restrict access to the RMO feature.

### **Pushing the Tractor by Hand**

1. Disengage the PTO and turn the engine off.
2. Pull the transmission release (**B**, Figure 7) back approximately 2-1/2" (6 cm) to lock into released position.
3. The tractor can now be pushed by hand.

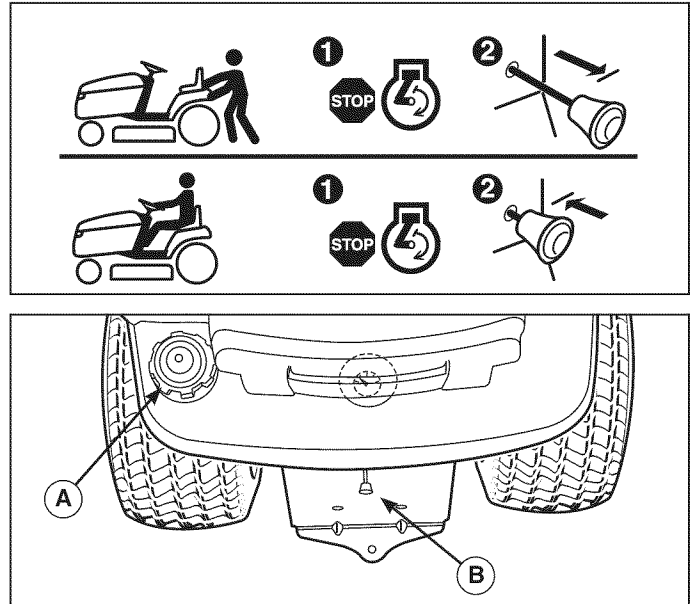


Figure 7



### **DO NOT TOW TRACTOR**

Towing the unit will cause transmission damage. • Do not use another vehicle to push or pull this unit. • Do not actuate the transmission release valve lever while the engine is running.

### **Stopping the Tractor and Engine**



### **WARNING**



**Fuel and its vapors are extremely flammable and explosive.**



**Fire or explosion can cause severe burns or death.**

1. Move the throttle control to the SLOW position.
2. Turn the key switch to the OFF position.
3. Remove the key and keep in a safe place out of the reach of children.

## Adjusting Mower Cutting Height

The cutting height is adjustable between 1.0" and 4.0" (2,5 and 10,2 cm).

The cutting height adjustment switch (A, Figure 8) controls the mower cutting height. This same switch also controls the spout rotator motor when a snowthrower is installed. The arrows on the switch correspond to the direction of adjustment (UP arrow raises cutting height, RIGHT arrow rotates the spout right, etc). When the adjustment indicator has reached the end of its travel, release the switch; holding the switch down will damage the motor.

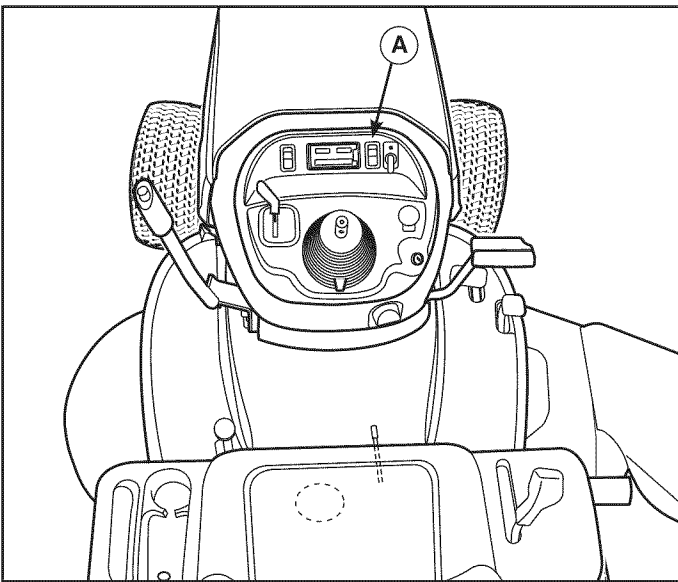


Figure 8

## Attaching a Trailer

The maximum horizontal drawbar force allowed 444 Newton. The maximum vertical drawbar force is 222 Newton. This equates to a 396 lbs (180 kg) trailer on a 10 degree hill. Secure the trailer with an appropriately sized clevis pin (A, Figure 9) and clip (B).

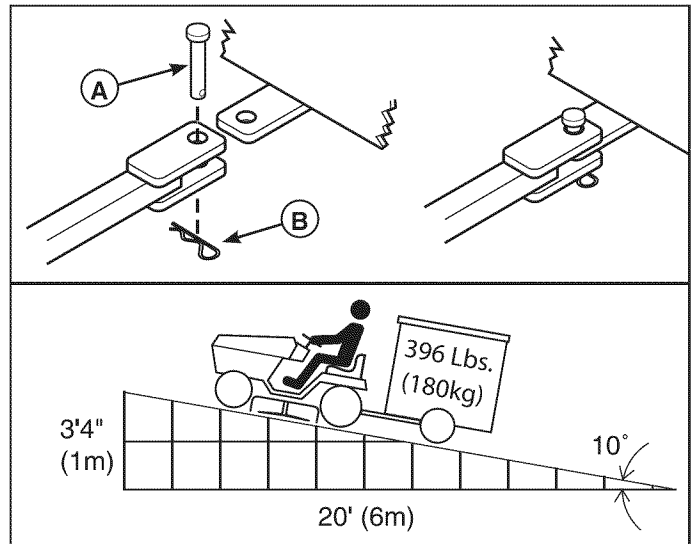


Figure 9

## Seat Adjustment

### Pitch Adjustment

The pitch of the seat can be adjusted to one of three positions. To adjust, remove the carriage bolts, spacers, washers, and nuts (A, Figure 10) from the hinge and reinstall them in the desired holes.

### Seat Slide Adjustment

The seat can also be adjusted forward and back. Move the lever (B, Figure 10), position the seat as desired, and release the lever to lock the seat into position.

### Seat Spring Adjustment

The seat springs (C, Figure 10) can be adjusted to provide a softer or firmer ride. Tilt the seat forward and slide the spring assembly forward for a softer ride, and back for a firmer ride.

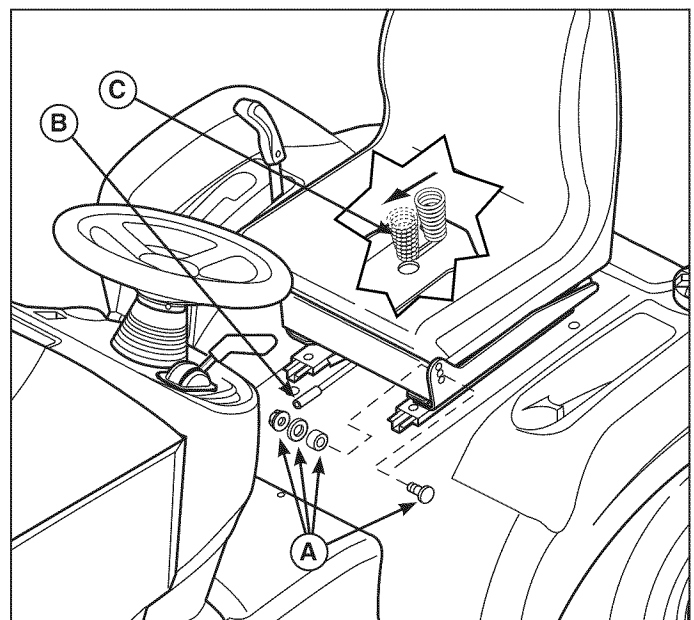


Figure 10

# MAINTENANCE

## Maintenance Chart

TRACTOR AND MOWER
<b>Every 8 Hours or Daily</b>
Check safety interlock system
Clean debris off tractor and mower deck
Clean debris from engine compartment
<b>Every 25 Hours or Annually *</b>
Check mower blade stopping time
Check tractor and mower for loose hardware
Check tire pressure
<b>Every 50 Hours or Annually *</b>
Check tractor brakes
Clean battery and cables
<b>See Dealer Annually to</b>
Lubricate tractor and mower
Check mower blades **

\* Whichever comes first

\*\* Check blades more often in regions with sandy soils or high dust conditions.

ENGINE
<b>First 5 Hours</b>
Change engine oil - see engine manual
<b>Every 8 Hours or Daily</b>
Check engine oil level - see engine manual
<b>Every 25 Hours or Annually *</b>
Clean engine air filter and pre-cleaner **
<b>Every 50 Hours or Annually *</b>
Change engine oil
Replace oil filter
<b>Annually</b>
Replace air filter
Replace pre-cleaner
<b>See Dealer Annually to</b>
Inspect muffler and spark arrester
Replace spark plug
Replace fuel filter
Clean engine air cooling system

\* Whichever comes first

\*\* Clean more often in dusty conditions or when airborne debris is present.

## Emissions Control

Maintenance, replacement, or repair of the emissions control devices and systems may be performed by any non-road engine repair establishment or individual. However, to obtain "no charge" emissions control service, the work must be performed by a factory authorized dealer. See the **Emissions Warranty**.

## Check Mower Blade Stopping Time

Mower blades and mower drive belt should come to a complete stop within five seconds after the electric PTO switch is turned off.

1. With tractor in neutral, PTO disengaged and operator in seat, start the engine.
2. Look over the left-hand footrest at the mower drive belt. Engage the PTO and wait several seconds. Disengage the PTO and check the amount of time it takes for the mower drive belt to stop.
3. If mower drive belt does not stop within five seconds, see your dealer.

## Check Tire Pressures

The tire pressure should be checked periodically (Figure 11). The maximum inflation is stamped on the sidewall of the tires. Do not exceed the maximum tire pressure.

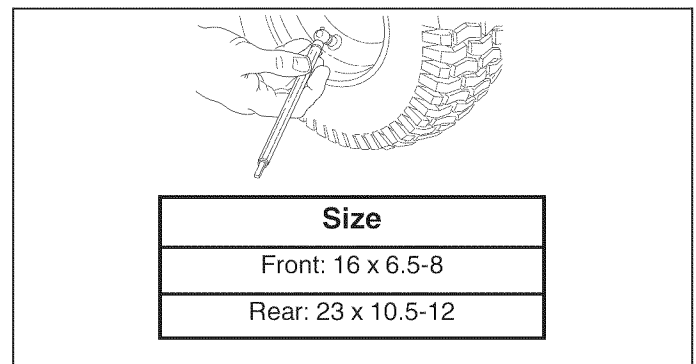


Figure 11

## Electronic Fuel Management System

The Electronic Fuel Management System monitors engine temperature, engine speed, and battery voltage to adjust the choke during engine starting and warm up. There are no adjustments on the system. If starting or operation problems occur, contact Sears Service.

**NOTICE:** Make sure to follow the steps below or the Electronic Fuel Management System could be damaged.

- Never start the engine if the battery cables are loose.
- Turn the key to the off position before disconnecting, removing and/or installing the battery.
- Never use a battery charger to start the engine.
- Never disconnect the battery cables while the engine is running.
- When connecting the battery cables, first connect the positive (+) cable and then connect the negative (-) cable to the battery.
- When charging the battery, turn the ignition switch to the off position and disconnect the negative (-) battery cable from the battery.
- Do not spray water directly on the Electronic Control Unit.

## Battery Charging

### ⚠ WARNING

Keep open flames and sparks away from the battery; the gasses coming from it are highly explosive. Ventilate the battery well during charging.

A dead battery or one too weak to start the engine may be the result of a defect in the charging system or other electrical component. If there is any doubt about the cause of the problem, see your dealer. If you need to replace the battery, follow the steps under **Cleaning the Battery and Cables**.

To charge the battery, follow the instructions provided by the battery charger manufacturer as well as all warnings included in the safety rules sections of this book. Charge the battery until fully charged. Do not charge at a rate higher than 10 amps.

## Cleaning the Battery and Cables

### ⚠ WARNING

When removing or installing battery cables, disconnect the negative cable **FIRST** and reconnect it **LAST**. If not done in this order, the positive terminal can be shorted to the frame by a tool.

1. Disconnect the cables from the battery, negative cables first (**A**, Figure 12) then the cover and positive cables (**B**).
2. Loosen the wingnut and washer (**D**).
3. Pivot the hold-down rod (**C**) up and away from battery. Secure to steering tower.
4. Remove the battery (**E**).
5. Clean the battery compartment with a solution of baking soda and water.
6. Clean the battery terminals and cable ends with a wire brush and battery terminal cleaner until shiny.
7. Reinstall the battery (**E**) in the battery compartment. Secure with the battery hold-down rod (**C**) and wingnut & washer (**D**).
8. Re-attach the battery cables, positive cables and cover first (**B**) then the negative cables (**A**).
9. Coat the cable ends and battery terminals with petroleum jelly or non-conducting grease.

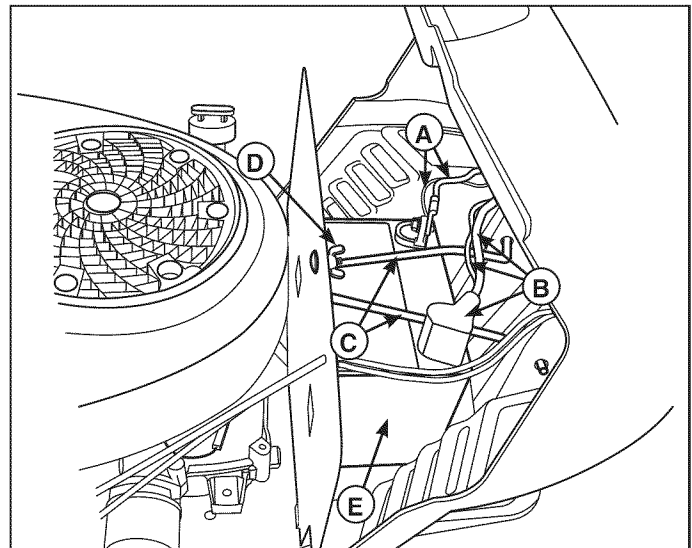


Figure 12



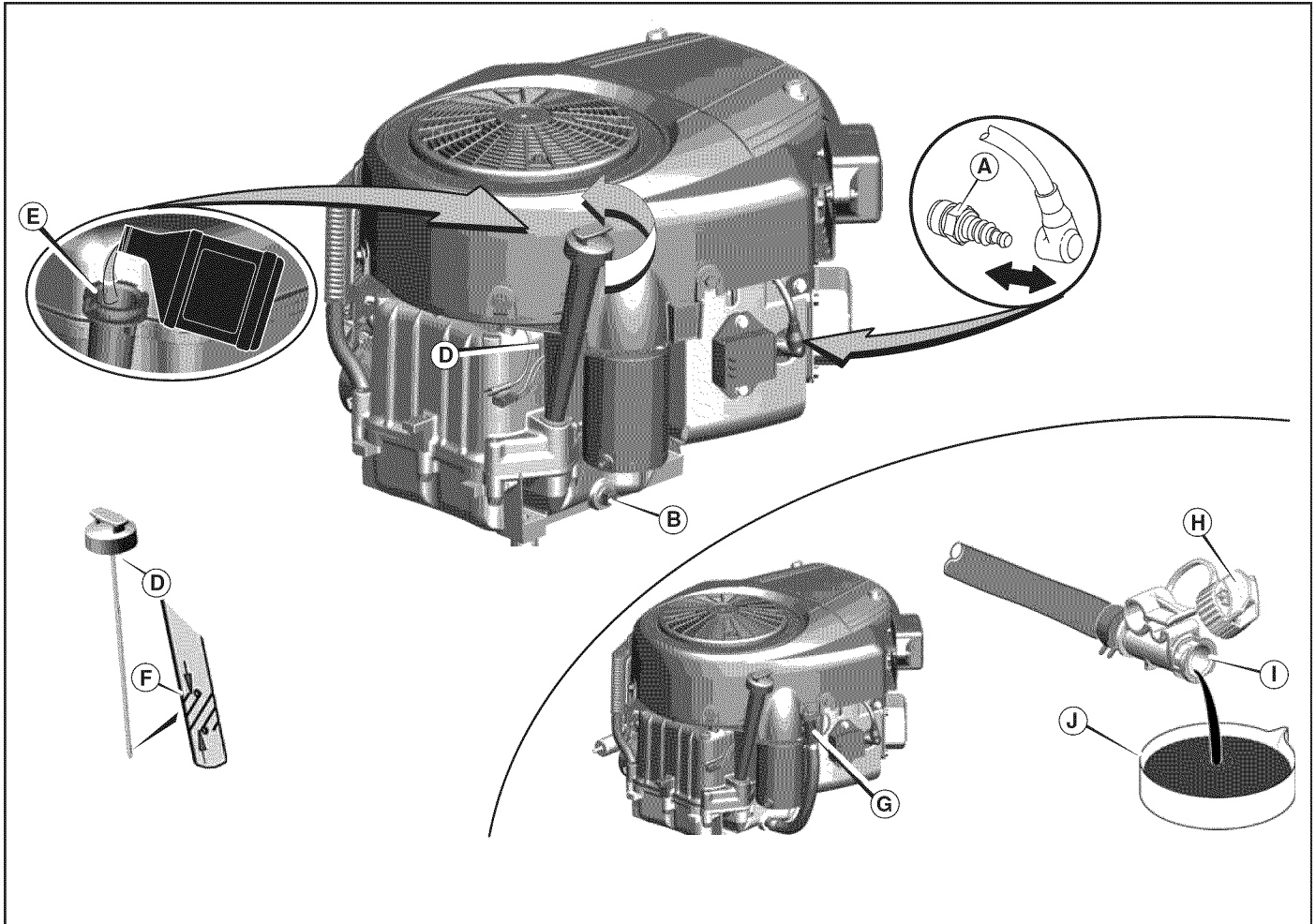


Figure 13

## Changing the Oil

Used oil is a hazardous waste product and must be disposed of properly. Do not discard with household waste. Check with your local authorities, service center, or dealer for safe disposal/recycling facilities.

### Remove Oil

1. With engine off but still warm, disconnect the spark plug wire (A, Figure 13) and keep it away from the spark plug.
2. Remove the dipstick (D).

### Standard Oil Drain Plug

1. Remove the oil drain plug (B, Figure 13). Drain the oil into an approved container.
2. After the oil has drained, install and tighten the oil drain plug.

### Optional Quick Oil Drain

1. Disconnect the oil drain hose (G, Figure 13) from the side of the engine.
2. Turn and remove the oil drain cap (H). Carefully lower the quick oil drain (I) into an approved container (J).
3. After the oil has drained, install the oil drain cap. Attach the oil drain hose to the side of the engine.

## Changing the Oil Filter

For replacement intervals, see the *Maintenance Chart*.

1. Drain the oil from the engine. See *Remove Oil* section.
2. Remove the oil filter (**C**, Figure 14) and dispose of properly.
3. Before you install the new oil filter, lightly lubricate the oil filter gasket with fresh, clean oil.
4. Install the oil filter by hand until the gasket contacts the oil filter adapter, then tighten the oil filter 1/2 to 3/4 turns.
5. Add oil. See *Add Oil* section.
6. Start and run the engine. As the engine warms up, check for oil leaks.
7. Stop the engine and check the oil level. It should be at the FULL mark on the dipstick.

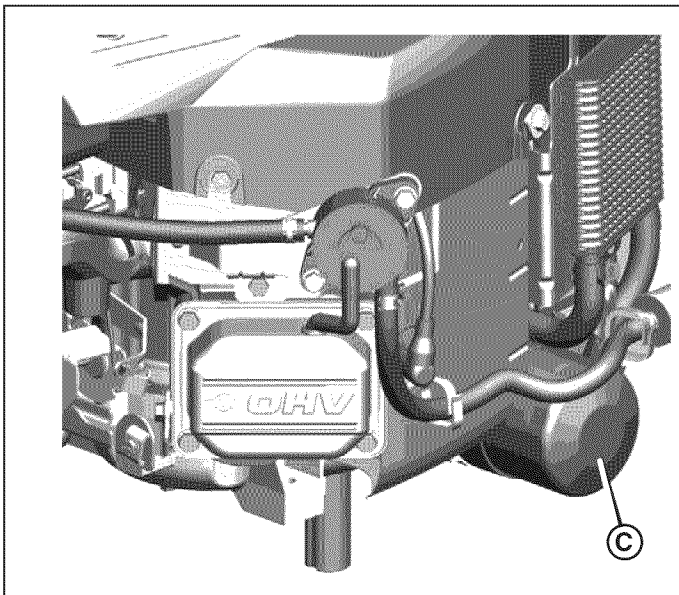


Figure 14

## Add Oil

- Place engine level.
  - Clean the oil fill area of any debris.
  - See the *Specifications* section for oil capacity.
1. Remove the dipstick (**D**, Figure 13) and wipe with a clean cloth.
  2. Pour the oil slowly into the engine oil fill (**E**). **Do not overfill**. After adding oil, wait one minute and then check the oil level.
  3. Install and tighten the dipstick.
  4. Remove the dipstick and check the oil level. It should be at the FULL mark (**F**) on the dipstick.
  5. Install and tighten the dipstick.

## Servicing the Air Filter



### WARNING



Fuel and its vapors are extremely flammable and explosive.



Fire or explosion can cause severe burns or death.

- Never start or run the engine with the air cleaner assembly (if equipped) or the air filter (if equipped) removed.

**NOTICE:** Do not use pressurized air or solvents to clean the filter. Pressurized air can damage the filter and solvents will dissolve the filter.

1. Remove the cover (**A**, Figure 15).
2. To remove the filter (**B**), lift the end of the filter.
3. Remove the pre-cleaner (**C**), if equipped, from the filter.
4. To loosen debris, gently tap the filter on a hard surface. If the filter is excessively dirty, replace with a new filter.
5. Wash the pre-cleaner in liquid detergent and water. Then allow it to thoroughly air dry. Do not oil the pre-cleaner.
6. Assemble the dry pre-cleaner to the filter.
7. Install the filter into the engine base (**D**) and push down until the filter snaps in place.
8. Install the cover.

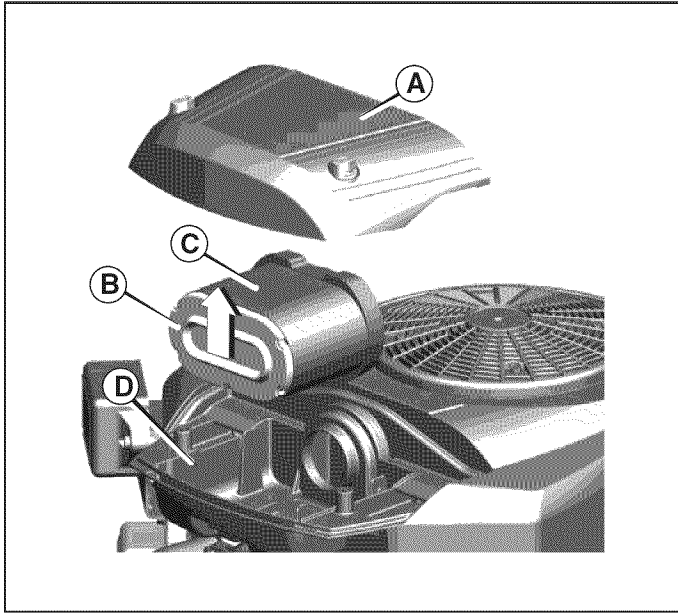


Figure 15

### Mower Gauge Wheels

The mower gauge wheels can be placed in several positions depending on the height of cut. When using higher cutting heights, set the wheels in the lower position. When using lower cutting heights, set the wheels in the upper position.

1. Remove the locknut (A, Figure 16), gauge wheel (B), washer (C), and shoulder bolt (D). Change position of gauge wheel to desired height.
2. Insert shoulder bolt (D) through washer (C) gauge wheel (B), and gauge wheel bracket (E). Secure with locknut (A). Repeat Steps 1 and 2 for all gauge wheels.

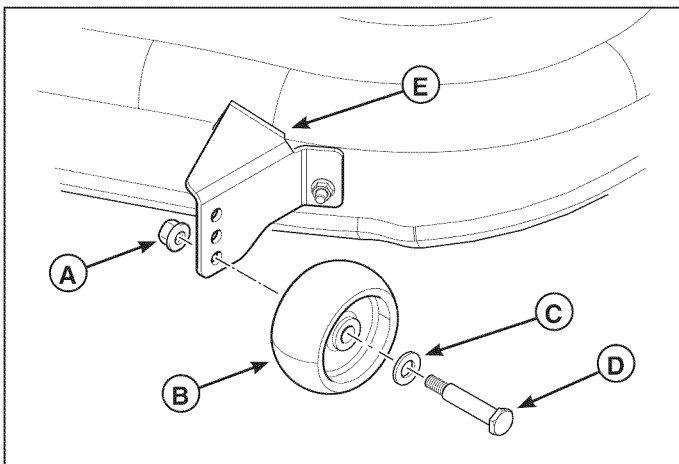


Figure 16

### Mower Deck Washout Port

**NOTE:** The washout port allows you to connect a typical garden hose to the trim side (L.H.) of the mower deck to remove grass and debris from the underside. This ensures proper and safe operation of the mower.

1. Place the lawn tractor on a smooth level surface.

### **!** WARNING

Before running the mower, make sure the hose is properly connected and does not come into contact with the blades. When the mower is running and the blades are engaged, the person cleaning the mower deck must be in the operator position, and there are no bystanders. Failure to follow these precautions may result in serious injury or death.

2. Attach the quick disconnect (A, Figure 17) to garden hose (B) and connect to washout port (C) on mower deck.
3. Turn the mower on and place in the highest cutting position.
4. Run water to remove grass and debris from underside of mower deck.
5. Turn the mower off.
6. Remove the garden hose and quick disconnect from the washout port when completed.

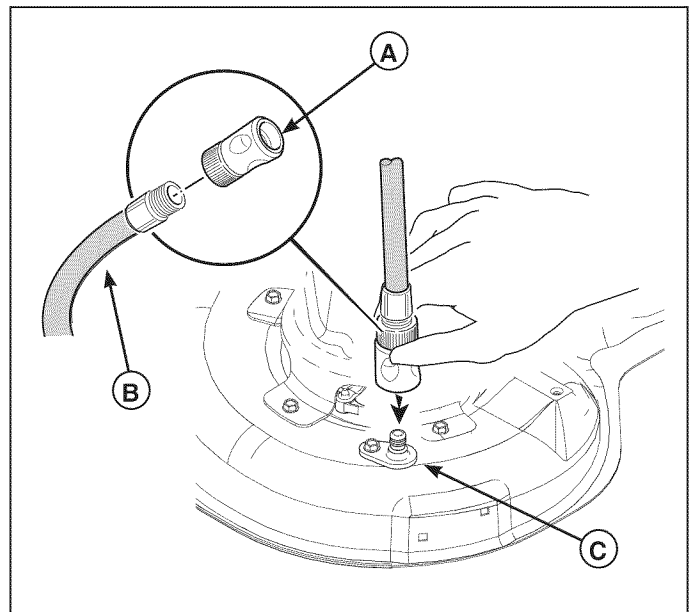


Figure 17

## Removing the Mower Deck

### **⚠ WARNING**

Engage the parking brake, disengage PTO, stop engine, and remove key before attempting to remove the mower deck.

1. Park the tractor on a hard, level surface such as a concrete floor. Turn off PTO switch and engine, remove the key, and apply the parking brake.
2. Place the mower in the lowest cutting position using the cutting height adjustment switch (see *Features and Controls*).
3. Disconnect the cutting height wire harness.
4. Place the attachment lift in the down position.
5. Pull the idler pulley lever (A, Figure 18) to release belt tension. Remove belt (B) from PTO pulley (C).

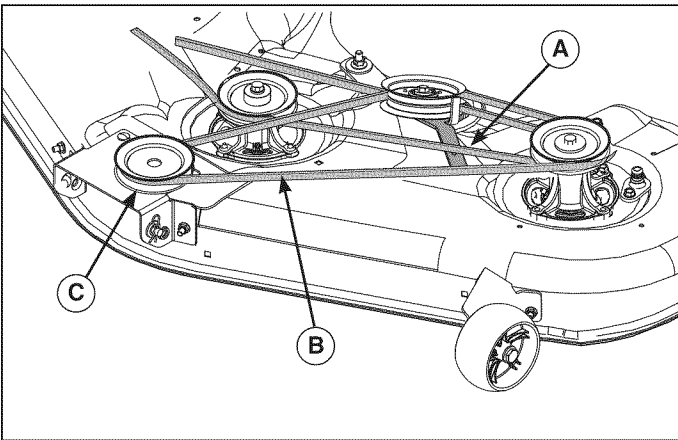


Figure 18

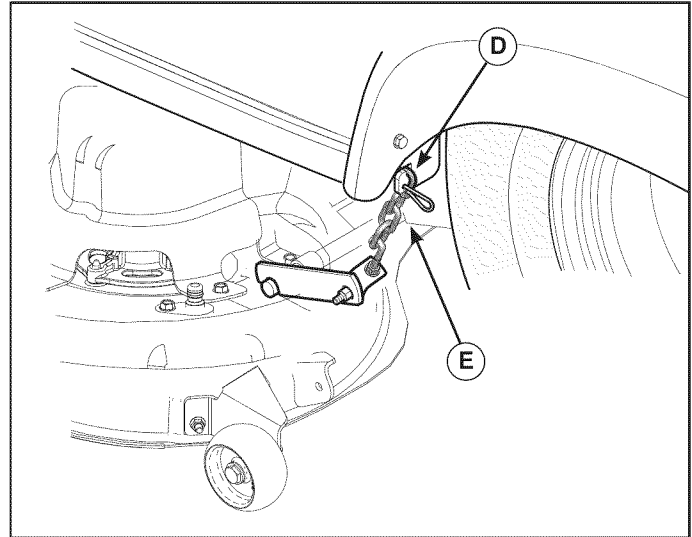


Figure 19

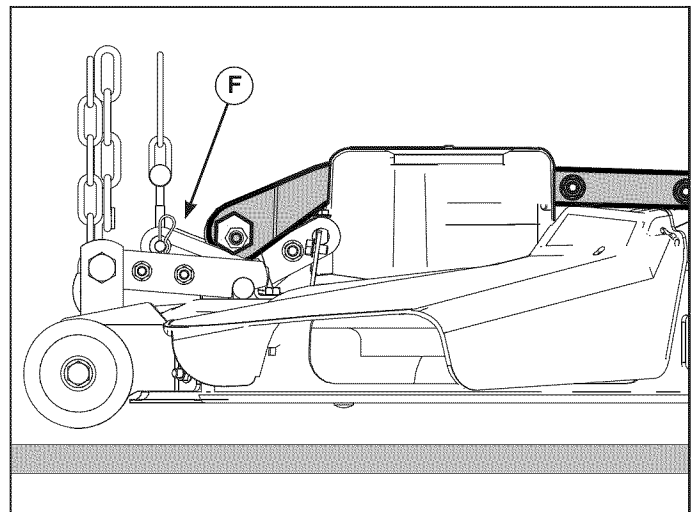


Figure 20

6. Remove the cotter pin (D, Figure 19) and lift chain (E) from the hook in tractor frame. Repeat for the other side.
7. Remove the cotter pin and washer at the inner lift bracket (F, Figure 20) and disconnect the inner J-bolt from the bracket. Repeat for other side.
8. Turn the wheels straight ahead. Pull back on spring-loaded lever and lift mower hitch off of the tractor hitch brackets (see 1-2, Figure 21).
9. Turn the wheels fully left, and slide mower deck out from under the right of the tractor.

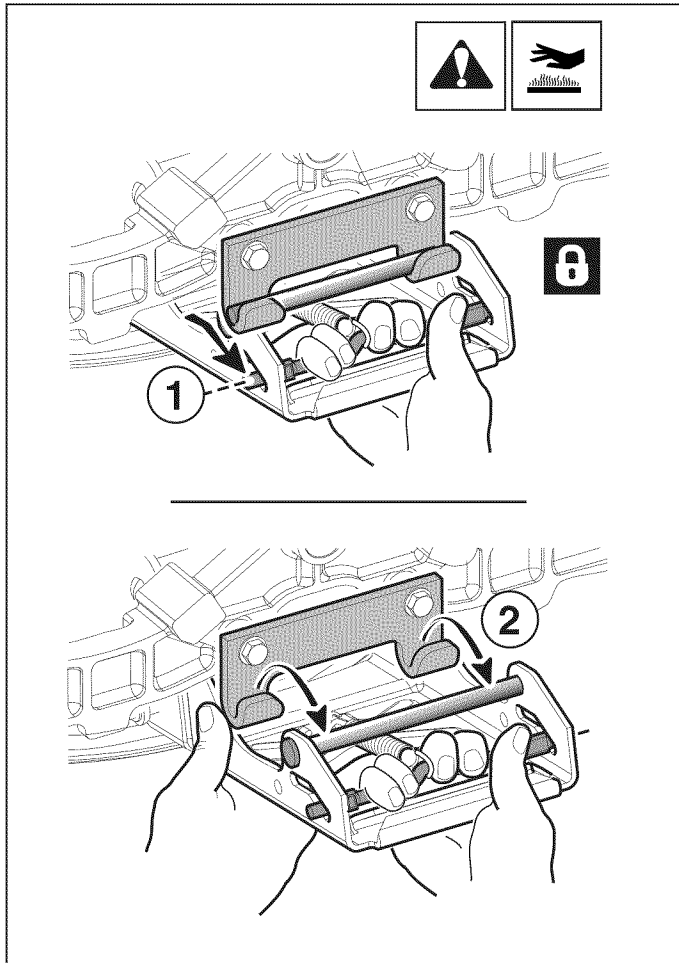


Figure 21

## Installing the Mower Deck

### **⚠ WARNING**

Engage the parking brake, disengage PTO, stop engine, and remove key before attempting to install the mower deck.

1. Park the tractor, shut off PTO and engine, remove the key, and apply parking brake. Turn the wheels fully to the left.
2. Place the attachment lift in the down position (See **Features and Controls**). Slide mower deck under right side of tractor so that mower hitch is aligned with the front tractor hitch brackets.
3. Turn the wheels straight ahead. Pull back on the spring-loaded lever and install the mower hitch on the tractor hitch brackets (see 1-2, Figure 22).

*NOTE: When properly installed, the spring-loaded lever should seat fully underneath the brackets.*

4. Connect the inner J-bolt (**F**, Figure 20) to the inner lift bracket and secure with washer and cotter pin. Repeat for the other side.
5. Install the lift chain (**E**, Figure 19) onto hook in tractor frame and secure with cotter pin (**D**). Repeat for the other side.
6. Pull the idler pulley lever (**A**, Figure 18) to release belt tension. Install belt (**B**) on the PTO pulley (**C**).
7. Place the attachment lift in the up position.
8. Connect the cutting height wire harness plug to the tractor harness.

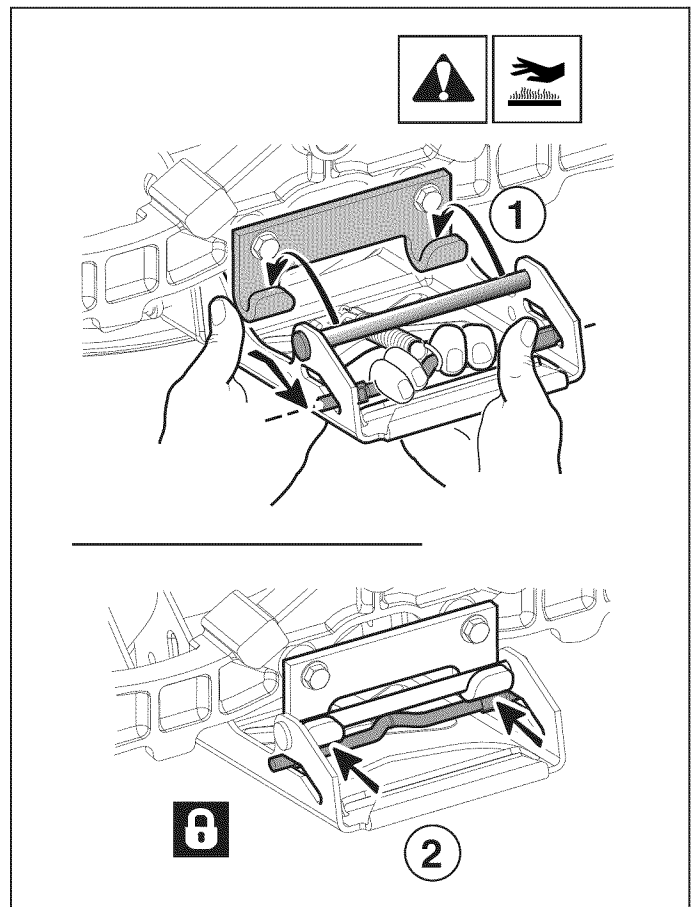


Figure 22

## Lubricate Mower Deck

Lubricate the pulleys at the location shown in Figure 23.

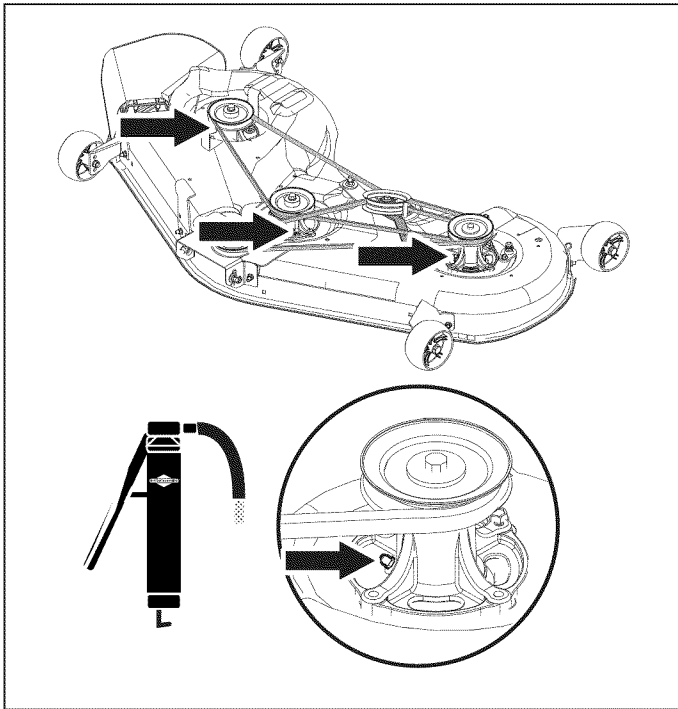


Figure 23

## Replacing the Mower Belts

### ⚠ WARNING

To avoid damaging belts, do not pry belts over pulleys.

## PTO Belt Replacement

1. Park the tractor on a smooth, level surface such as a concrete driveway. Disengage the PTO, turn off the engine, and lock the parking brake. Remove the key.
2. Remove mower deck (see **Removing the Mower Deck**).
3. Remove screws and cover (A, Figure 24) for left blade spindle.
4. Pull the idler pulley lever (B) to relieve belt tension. Remove the belt (C) from the PTO pulley (D).
5. Remove the old belt and replace with a new one. Pull the idler pulley lever to install the belt on the idler pulley. Make sure the V-side of the belt runs in the pulley grooves.
6. Install mower deck (see **Installing the Mower Deck**).

## Blade Belt Replacement

1. Park the tractor on a smooth, level surface such as a concrete floor. Disengage the PTO, turn off the engine, and lock the parking brake. Remove the key.
2. Remove mower deck (see **Removing the Mower Deck**).
3. Remove screws and covers (A, Figure 24) for left and right blade spindle.
4. Remove the PTO belt (see **PTO Belt Replacement**).
5. Remove the blade belt (E, Figure 25) from left and right blade spindle (F and G).
6. Remove the old belt and replace with a new one. Make sure the V-side of the belt runs in the pulley grooves.
7. Reinstall PTO belt.
8. Install mower deck (see **Installing the Mower Deck**).

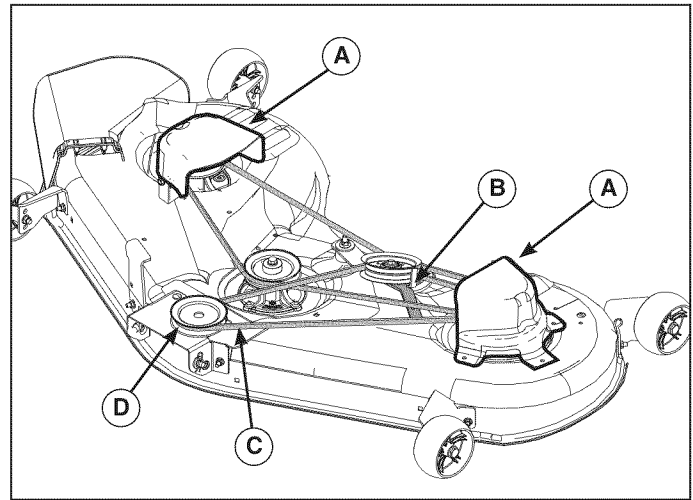


Figure 24

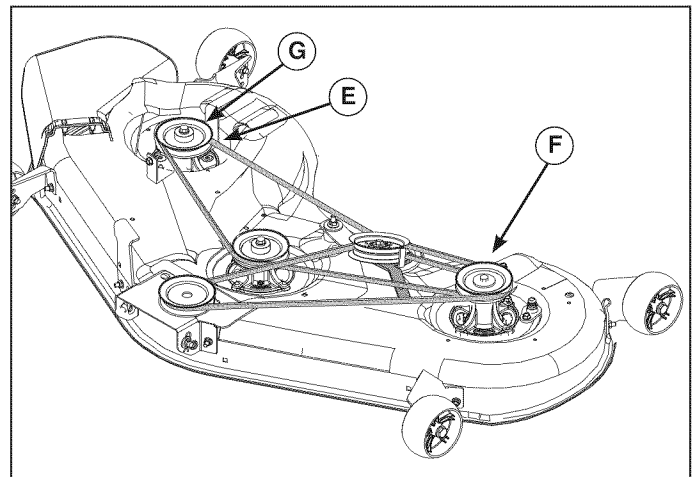


Figure 25

## PTO Clutch Adjustment

Check the PTO clutch adjustment after the initial 25 hour break-in period and then after every 250 hours of operation. Also perform the following procedure if the clutch is slipping or will not engage, or if a new clutch has been installed.

1. Remove key from ignition switch and disconnect spark plug wires to prevent the possibility of accidental starting while the PTO is being adjusted.
2. Note the position of the 3 adjustment windows (A, Figure 26) in the side of the brake plate and the nylon adjustment nuts (B).
3. Insert a 0.012 - 0.015 in. (0,30 - 0,38 mm) feeler gauge (C) through each window, positioning the gauge between the rotor face and the armature face as shown in Figure 27.

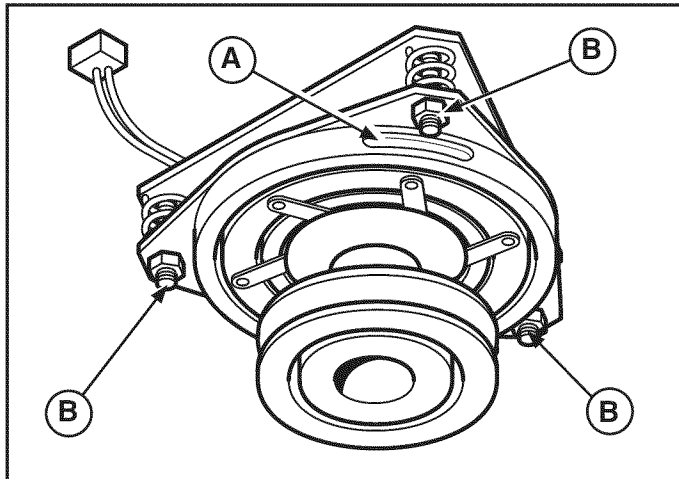


Figure 26

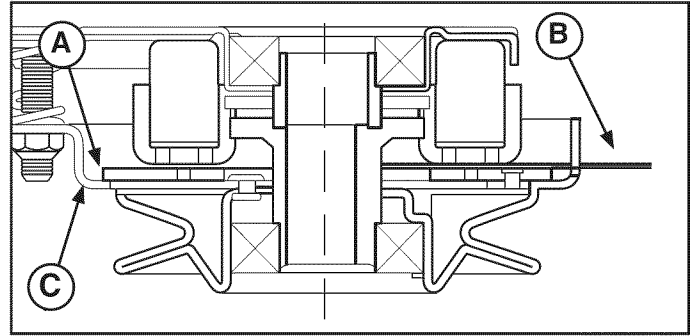


Figure 27

4. Alternately tighten the adjustment nuts (B, Figure 26) until the rotor face and armature face just contacts the gauge.
5. Check the windows for an equal amount of tension when the gauge is inserted and removed, and make any necessary adjustments by tightening or loosening the adjustment nuts.

*NOTE: The actual air gap between the rotor and armature may vary even after performing the adjustment procedure. This is due to dimensional variations on component parts, and is an acceptable condition.*

6. Perform the **Check the Mower Blade Stopping Time** test. Mower blades and mower drive belt should come to a complete stop within five seconds after PTO switch is turned off.

## Servicing the Mower Blades

### WARNING

For your personal safety, do not handle the sharp mower blades with bare hands. Careless or improper handling of blades may result in serious injury.

### WARNING

For your personal safety, blade mounting capscrews must each be installed with a hex/spline washer and spring washer, then securely tightened. Torque blade mounting capscrew to 50-60 ft-lbs (68-81 Nm).

*NOTE: Mower blades must be aligned perpendicular to each other.*

1. Remove mower deck (see **Removing the Mower Deck**).
2. To remove blade, use a block of wood to prevent blade rotation while loosening the capscrew (see Figure 28).
3. Remove capscrew (A, Figure 29), spring washer (B) and blade.
4. Use a file to sharpen blade to a fine edge. If blade is damaged, it must be replaced.
5. Balance the blade as shown in Figure 30. Place the center hole of the blade on a nail lubricated with a drop of oil. A balanced blade will remain level.
6. Reinstall the blade (Figure 29) with the airlifts pointing up toward the mower deck as shown.
7. Reinstall the spring washer (B) and capscrew (A). Use a wooden block (C) to prevent blade rotation while tightening the capscrew (A) to 50-60 ft-lbs (68-81 Nm).
8. Install mower deck (see **Installing the Mower Deck**).

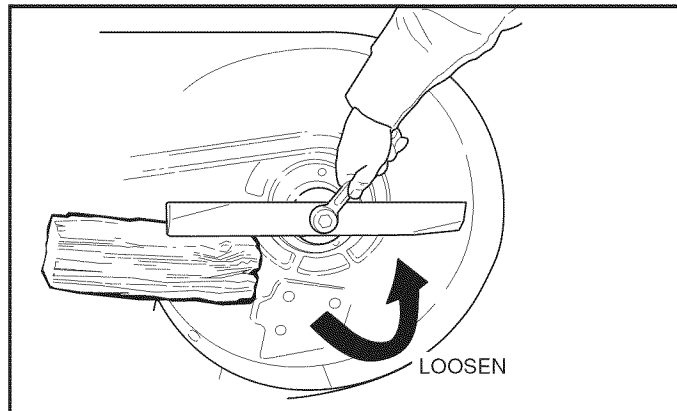


Figure 28

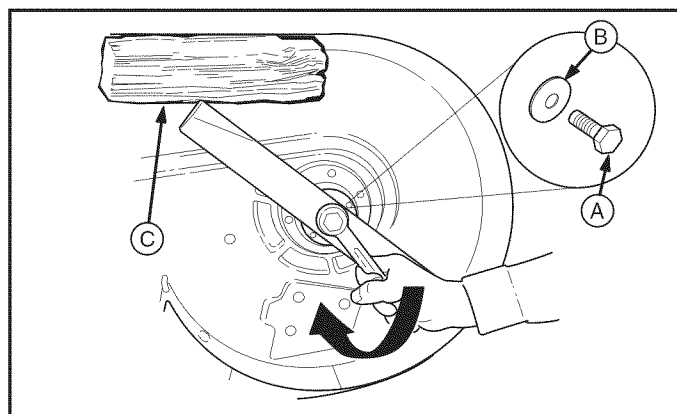


Figure 29

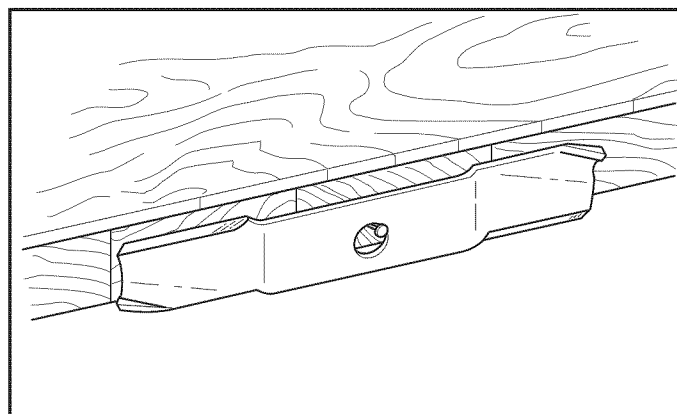


Figure 30



## Storage



### **WARNING**

**Never store the unit (with fuel) in an enclosed, poorly ventilated structure. Fuel vapors can travel to an ignition source (such as a furnace, water heater, etc.) and cause an explosion. Fuel vapor is also toxic to humans and animals.**

#### **When Storing Fuel Or Equipment With Fuel In Tank**

- Store away from furnaces, stoves, water heaters or other appliances that have pilot lights or other ignition sources because they can ignite fuel vapors.

#### **Equipment**

Disengage the PTO, set the parking brake, and remove the key.

Battery life will be increased if it is removed. Put in a cool, dry place and fully charged about once a month. If the battery is left in the unit, disconnect the negative cable.

## Fuel System

Fuel can become stale when stored over 30 days. Stale fuel causes acid and gum deposits to form in the fuel system or on essential carburetor parts. To keep fuel fresh, use fuel stabilizer.

There is no need to drain gasoline from the engine if a fuel stabilizer is added according to instructions. Run the engine for 2 minutes to circulate the stabilizer throughout the fuel system before storage.

## Engine Oil

While the engine is still warm, change the engine oil.

#### **Before starting the unit after it has been stored:**

- Check all fluid levels. Check all maintenance items.
- Perform all recommended checks and procedures found in this manual.
- Allow the engine to warm up for several minutes before use.

# TROUBLESHOOTING

## Troubleshooting the Tractor

PROBLEM	LOOK FOR	REMEDY
<b>Engine will not turnover or start.</b>	Brake pedal not depressed.	Fully depress brake pedal.
	PTO (electric clutch) switch is in ON position.	Place in OFF position.
	Cruise control engaged.	Move knob to NEUTRAL/OFF position.
	Out of fuel.	If engine is hot, allow it to cool, then refill the fuel tank.
	Fuse is blown.	Replace fuse or contact Sears Service.
	Battery terminals require cleaning.	See <b><i>Cleaning the Battery and Cables</i></b> section.
	Battery discharged or dead.	Recharge or replace battery. Use Die Hard Gold #50785.
	Wiring loose or broken.	Visually check wiring. If wires are frayed or broken, see authorized dealer.
	Solenoid or starter motor faulty.	Contact Sears Service.
	Safety interlock switch faulty.	Contact Sears Service.
	Water in fuel.	Contact Sears Service.
<b>Engine starts hard or runs poorly.</b>	Gas is old or stale.	Contact Sears Service.
	Fuel mixture too rich.	Clean air filter.
<b>Engine knocks.</b>	Engine has other problem.	Contact Sears Service.
	Low oil level.	Check/add oil as required.
<b>Excessive oil consumption.</b>	Using wrong grade oil.	See <b><i>Oil Recommendations Chart</i></b> .
	Engine running too hot.	Contact Sears Service.
	Too much oil in crankcase.	Drain excess oil.
<b>Engine exhaust is black.</b>	Using wrong grade oil.	See <b><i>Oil Recommendations Chart</i></b> .
<b>Engine runs, but tractor will not drive.</b>	Dirty air filter.	See <b><i>Servicing the Air Filter</i></b> section.
	Ground speed control pedals not depressed.	Depress pedals.
	Transmission release lever in PUSH position.	Move into DRIVE position.
	Parking brake is engaged.	Disengage parking brake.
	Traction drive belt is broken or slipping.	Contact Sears Service.

## Troubleshooting the Tractor (Continued)

PROBLEM	LOOK FOR	REMEDY
Brake will not hold.	Internal brake worn.	Contact Sears Service.
Tractor steers hard or handles poorly.	Steering linkage is loose.	Contact Sears Service.
	Improper tire inflation.	See <b>Check Tire Pressure</b> section.
	Front wheel spindle bearings dry.	Contact Sears Service.

## Troubleshooting the Mower

PROBLEM	LOOK FOR	REMEDY
Mower will not raise.	Lift linkage not properly attached or damaged.	Contact Sears Service.
Mower cut is uneven.	Mower not leveled properly.	Level the mower. See <b>Setup Instructions</b> .
	Tractor tires not properly inflated.	See <b>Check Tire Pressure</b> section.
Mower cut is rough looking.	Engine speed too slow.	Set to full throttle.
	Ground speed too fast.	Slow down.
	Mower has other problem.	Contact Sears Service.
Engine stalls easily with mower engaged.	Engine speed too slow.	Set to full throttle.
	Ground speed too fast.	Slow down.
	Dirty or clogged air filter.	See <b>Servicing the Air Filter</b> section.
	Cutting height set too low.	Cut tall grass at maximum cutting height during first pass.
	Engine not up to operating temperature.	Run engine for several minutes to warm-up.
	Starting mower in tall grass.	Start the mower in a cleared area.
Excessive mower vibration.	Mower has other problem.	Contact Sears Service.
Engine runs and tractor drives, but mower will not drive.	PTO not engaged.	Engage the PTO.
	Mower has other problem.	Contact Sears Service.

# SPECIFICATIONS

## ENGINE

### Briggs & Stratton

<b>Make</b>	Briggs & Stratton®
<b>Model</b>	Professional Series™
<b>Horsepower</b>	26 Gross HP @ 3400 +/- 100 rpm
<b>Displacement</b>	44.2 cu in. (724 cc)
<b>Electrical System</b>	Alternator: 16 amp DC Reg. Battery: 12 volt, 340 CCA Die Hard Gold #50785
<b>Oil Capacity</b>	64 oz (1,9 L)

## CHASSIS

<b>Fuel Tank Capacity</b>	3.6 Gallons (13,6 L)
<b>Front Wheels</b>	Tire Size: 16 x 6.50-8
<b>Rear Wheels</b>	Tire Size: 23 x 10.5 -12

## K66 TRANSMISSION

<b>Type</b>	Hydrostatic Tuff Torq K66
<b>Hydraulic Fluid</b>	10w 30 Premium Engine Oil
<b>Capacity</b>	2.6 qt (2,5 L)
<b>Speeds</b>	Forward: 0-6.1 MPH (9,6 km/h)
<b>@ 3400 rpm</b>	Reverse: 0-3.0 MPH (4,8 km/h)
<b>Continuous Torque Output</b>	310 ft-lbs (419 Nm)

## MOWER

<b>Width of Cut</b>	52" (132,1 cm)
<b>Number of Blades</b>	3
<b>Base Deck Platform</b>	Side Discharge
<b>Cutting Height</b>	1.0 - 4.0 in. (2,5 - 10,2 cm)
<b>Cutting Positions</b>	Infinite

## DIMENSIONS

<b>Overall Length</b>	75" (190,5 cm)
<b>Overall Width</b>	61" (154,9 cm)
<b>Height</b>	47" (119,4 cm)

## Power Rating

The gross power rating for individual gas engine models is labeled in accordance with SAE (Society of Automotive Engineers) code J1940 (Small Engine Power & Torque Rating Procedure), and rating performance has been obtained and corrected in accordance with SAE J1995 (Revision 2002-05). Torque values are derived at 3060 RPM; horsepower values are derived at 3600 RPM. The gross power curves can be viewed at [www.BRIGGSandSTRATTON.COM](http://www.BRIGGSandSTRATTON.COM). Net power values are taken with exhaust and air cleaner installed whereas gross power values are collected without these attachments. Actual gross engine power will be higher than net engine power and is affected by, among other things, ambient operating conditions and engine-to-engine variability. Given the wide array of products on which engines are placed, the gas engine may not develop the rated gross power when used in a given piece of power equipment. This difference is due to a variety of factors including, but not limited to, the variety of engine components (air cleaner, exhaust, charging, cooling, carburetor, fuel pump, etc.), application limitations, ambient operating conditions (temperature, humidity, altitude), and engine-to-engine variability. Due to manufacturing and capacity limitations, Briggs & Stratton may substitute an engine of higher rated power for this Series engine.

## Parts and Accessories

Contact an authorized dealer for parts and accessories.

# WARRANTY

## CRAFTSMAN FULL WARRANTY

FOR THREE YEARS from the date of purchase, all non-expendable parts of this riding equipment are warranted against any defects in material or workmanship. A defective non-expendable part will receive free in-home repair or replacement if repair is impossible.

FOR FIVE YEARS from the date of purchase, the frame and front axle of this riding equipment are warranted against any defects in material or workmanship. A defective frame or front axle will receive free in-home repair or replacement if repair is impossible.

FOR 90 DAYS from the date of purchase, the battery (an expendable part) of this riding equipment is warranted against any defects in material or workmanship (our testing proves that it will not hold a charge). A defective battery will receive free in-home replacement.

ADDITIONAL LIFETIME LIMITED WARRANTY on CAST IRON FRONT AXLE (if equipped)

FOR AS LONG AS IT IS USED by the original owner after the fifth year from the date of purchase, the cast iron front axle (if equipped) of this riding equipment is warranted against any defects in material or workmanship. With proof of purchase, a defective cast iron front axle will receive free in-home replacement.

## WARRANTY SERVICE

For warranty coverage details to obtain free repair or replacement, call 1-800-659-5917 or visit the web site: [www.craftsman.com](http://www.craftsman.com).

In all cases above, if part repair or replacement is impossible, the riding equipment will be replaced free of charge with the same or an equivalent model.

All of the above warranty coverage is void if this riding equipment is ever used while providing commercial services or if rented to another person.

This warranty covers ONLY defects in material and workmanship. Warranty coverage does NOT include:

- Expendable parts (except battery) that can wear out from normal use within the warranty period, including but not limited to blades, spark plugs, air cleaners, belts, and oil filters.
- Standard maintenance servicing, oil changes, or tune-ups.
- Tire replacement or repair caused by punctures from outside objects, such as nails, thorns, stumps, or glass.
- Tire or wheel replacement or repair resulting from normal wear, accident, or improper operation or maintenance.
- Repairs necessary because of operator abuse, including but not limited to damage caused by towing objects beyond the capability of the riding equipment, impacting objects that bend the frame, axle assembly or crankshaft, or over-speeding the engine.
- Repairs necessary because of operator negligence, including but not limited to, electrical and mechanical damage caused by improper storage, failure to use the proper grade and amount of engine oil, failure to keep the deck clear of flammable debris, or failure to maintain the riding equipment according to the instructions contained in the operator's manual.
- Engine (fuel system) cleaning or repairs caused by fuel determined to be contaminated or oxidized (stale). In general, fuel should be used within 30 days of its purchase date.
- Normal deterioration and wear of the exterior finishes, or product label replacement.

This warranty gives you specific legal rights, and you may also have other rights which vary from state to state.

Sears Brands Management Corporation, Hoffman Estates, IL 60179

# REPAIR PROTECTION AGREEMENT

*Congratulations on making a smart purchase.* Your new Craftsman® product is designed and manufactured for years of dependable operation. But like all products, it may require repair from time to time. That's when having a Repair Protection Agreement can save you money and aggravation.

## **Here's what the Repair Protection Agreement\* includes:**

- ☑ **Expert service** by our 10,000 professional repair specialists
- ☑ **Unlimited service and no charge** for parts and labor on all covered repairs
- ☑ **Product replacement** up to \$1500 if your covered product can't be fixed
- ☑ **Discount of 10%** from regular price of service and related installed parts not covered by the agreement; also, 10% off regular price of preventive maintenance check
- ☑ **Fast help by phone** – we call it Rapid Resolution – phone support from a Sears representative. Think of us as a “talking owner’s manual.”

Once you purchase the Repair Protection Agreement, a simple phone call is all that it takes for you to schedule service. You can call anytime day or night, or schedule a service appointment online.

The Repair Protection Agreement is a risk-free purchase. If you cancel for any reason during the product warranty period, we will provide a full refund. Or, a prorated refund anytime after the product warranty period expires. Purchase your Repair Protection Agreement today!

**Some limitations and exclusions apply. For prices and additional information in the U.S.A. call 1-800-827-6655.**

**\*Coverage in Canada varies on some items. For full details call Sears Canada at 1-800-361-6665.**

### **Sears Installation Service**

*For Sears professional installation* of home appliances, garage door openers, water heaters, and other major home items, in the U.S.A. or Canada call **1-800-4-MY-HOME®**.



# Get it fixed, at your home or ours!

## Your Home

For troubleshooting, product manuals and expert advice:



[www.managemylife.com](http://www.managemylife.com)

For repair – **in your home** – of **all** major brand appliances, lawn and garden equipment, or heating and cooling systems, **no matter who made it, no matter who sold it!**

For the replacement parts, accessories and owner's manuals that you need to do-it-yourself.

For Sears professional installation of home appliances and items like garage door openers and water heaters.

**1-800-4-MY-HOME®** (1-800-469-4663)

Call anytime, day or night (U.S.A. and Canada)

[www.sears.com](http://www.sears.com)    [www.sears.ca](http://www.sears.ca)

## Our Home

For repair of carry-in items like vacuums, lawn equipment, and electronics, call anytime for the location of your nearest

**Sears Parts & Repair Service Center**

**1-800-488-1222** (U.S.A.)

[www.sears.com](http://www.sears.com)

**1-800-469-4663** (Canada)

[www.sears.ca](http://www.sears.ca)

To purchase a protection agreement on a product serviced by Sears:

**1-800-827-6655** (U.S.A.)

**1-800-361-6665** (Canada)

Para pedir servicio de reparación a domicilio, y para ordenar piezas:

**1-888-SU-HOGAR®**

(1-888-784-6427)

[www.sears.com](http://www.sears.com)

Au Canada pour service en français:

**1-800-LE-FOYER<sup>MC</sup>**

(1-800-533-6937)

[www.sears.ca](http://www.sears.ca)

The Sears logo, consisting of the word "sears" in a lowercase, sans-serif font.

© Registered Trademark / <sup>TM</sup> Trademark of KCD IP, LLC in the United States, or Sears Brands, LLC in other countries

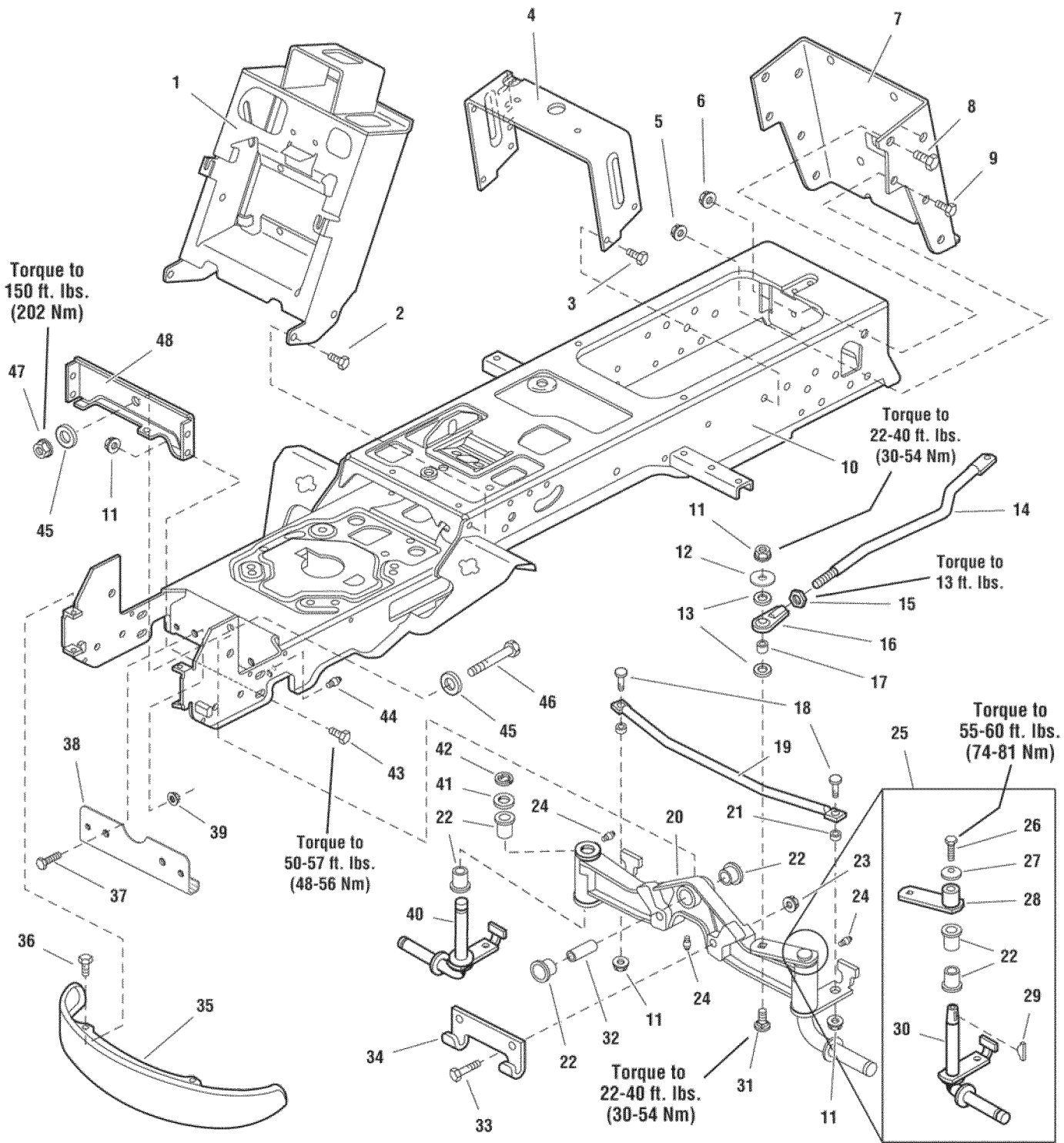
© Marca Registrada / <sup>TM</sup> Marca de Fábrica de KCD IP, LLC en Estados Unidos, o Sears Brands, LLC in otros países

<sup>MC</sup> Marque de commerce / <sup>MD</sup> Marque déposée de Sears Brands, LLC



# **Repair Parts**

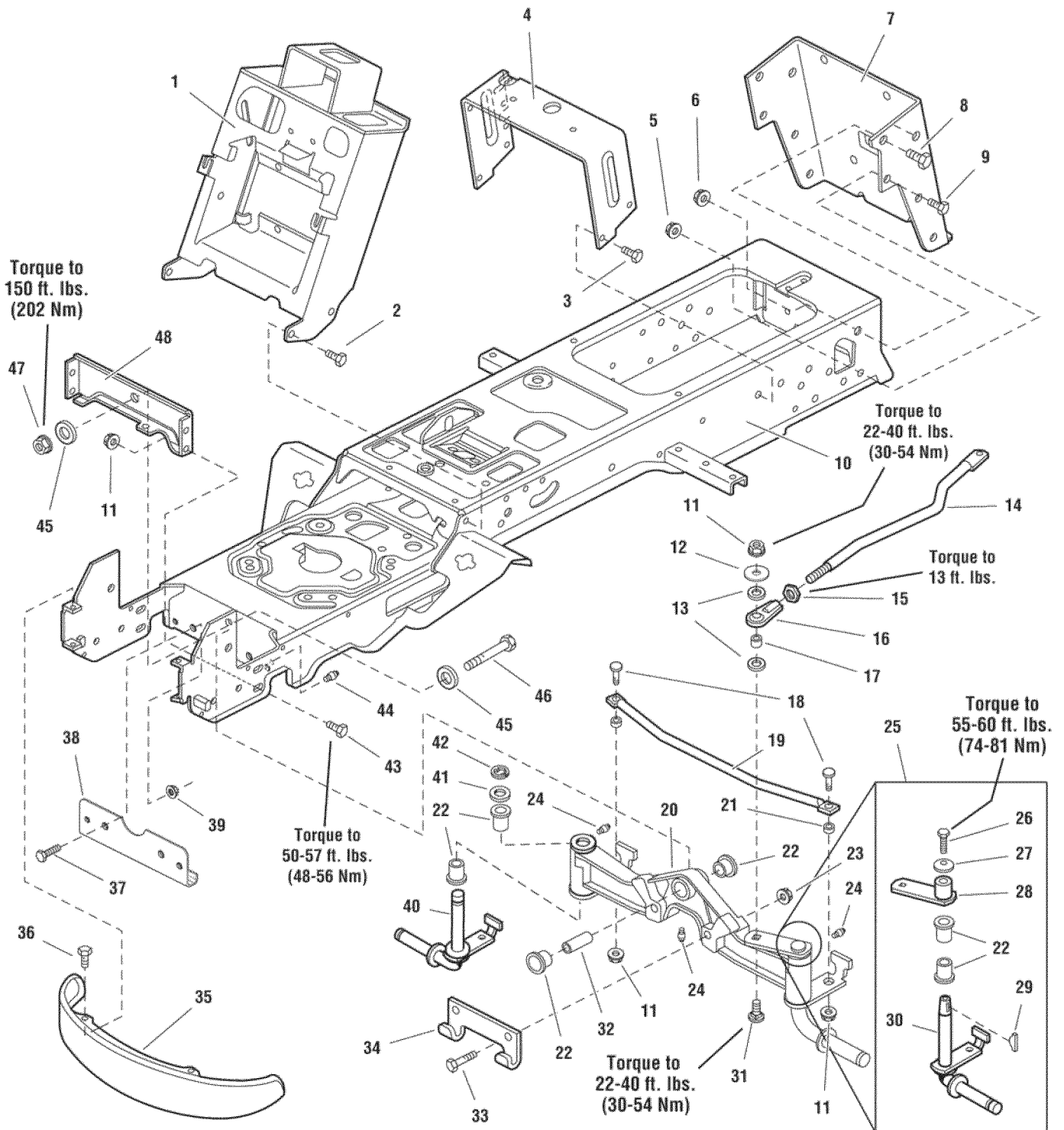
NOTE: Unless noted otherwise, use the standard hardware torque specification chart.



<b>REF NO</b>	<b>PART NO.</b>	<b>QTY.</b>	<b>DESCRIPTION</b>
1	1733139ASM	1	TOWER & SUPPORT ASSEMBLY
2	1923683SM	4	CAPSCREW, Hex Washer Head Taptite, 3/8-16 x 3/4
3	1664847SM	4	CAPSCREW, Hex Head, Taptite, 5/16 -18 x 3/4
4	1752878AYP	1	SUPPORT, Seat Deck
5	1928352SM	2	NUT, Hex Flange 3/8-16 Whiz Lock, Large
6	1930644SM	2	NUT, Hex Flange Two-Way Lock, 1/2-13
7	1722602ASM	1	BACKPLATE
8	1923114SM	2	CAPSCREW, Hex Head 1/2-13 x 1, Black
9	1921210SM	2	CAPSCREW, Hex Head 3/8-16 x 1, Black
10	1733765ASM	1	FRAME ASSEMBLY, Front & Rear
11	1930645SM	7	NUT, Hex Flange Two-Way Lock, 3/8-16
12	1922755SM	1	WASHER, 3/8, Black
13	1960103SM	2	WASHER, 3/8, Black
14	1722541SM	1	LINK, Drag
15	1919262SM	1	NUT, Hex Jam 1/2-20
16	1702779SM	1	JOINT, Ball
17	1708236SM	1	SPACER, 3/8 x 1/2 x 5/8
18	1931350SM	2	CARRIAGE BOLT, 3/8-16 x 1
19	1722626ASM	1	ROD, Tie
20	1722200ASM	1	AXLE ASSEMBLY w/LH Spindle
21	1611705SM	2	SPACER, 25/64 x 5/8 x 5/16, Powder Metal
22	1721682SM	6	BUSHING, 31/32 x 1-1/4 x 3/4, Powder Metal
23	1930650SM	2	NUT, Hex Flange Two-Way Lock, 7/16-14
24	2821133SM	3	FITTING, Lube
25	1686985SM	1	SPINDLE REPLACEMENT KIT, LH (Incl. Ref. Nos. 22, 26, 27, 28, 29 & 30)
26	2823485SM	1	CAPSCREW, 3/8-16 x 7/8, GR8
27	1663151SM	1	WASHER, Spring, 3/8
28	1725112ASM	1	HUB & ARM ASSEMBLY
29	2830671SM	1	KEY, Woodruff
30	1724264SM	1	SPINDLE, LH
31	1931352SM	1	CARRIAGE BOLT, 3/8-16 x 1-1/2
32	1721752SM	1	SPACER, 11/16 x 21/32 x 2 3/32
33	1927531SM	2	CAPSCREW, Hex Head, 7/16-14 x 2 G8
34	1721918ASM	1	HOOK, Hitch, 5/16
35	1721805ASM	1	BUMPER, Black
36	1960086SM	4	SCREW, Truss Head Torque Drive, 5/16-18 x 7/8
37	1930591SM	2	CAPSCREW, Hex Whiz Lock, 5/16-18 x 3/4
38	1724801ASM	1	PLATE, Axle Wear
39	1931277SM	2	NUT, Hex Flange Whiz Lock, 5/16-18
40	1722199SM	1	SPINDLE, RH
41	1919394SM	1	WASHER
42	2832577SM	1	RETAINING RING
43	1933260SM	4	CAPSCREW, Hex Flange Whiz Lock, 3/8-16 x 3/4
44	2821133SM	2	FITTING, Grease for Wear Plate
45	1960035SM	2	WASHER, 5/8

**Footnotes**

NOTE: Unless noted otherwise, use the standard hardware torque specification chart.



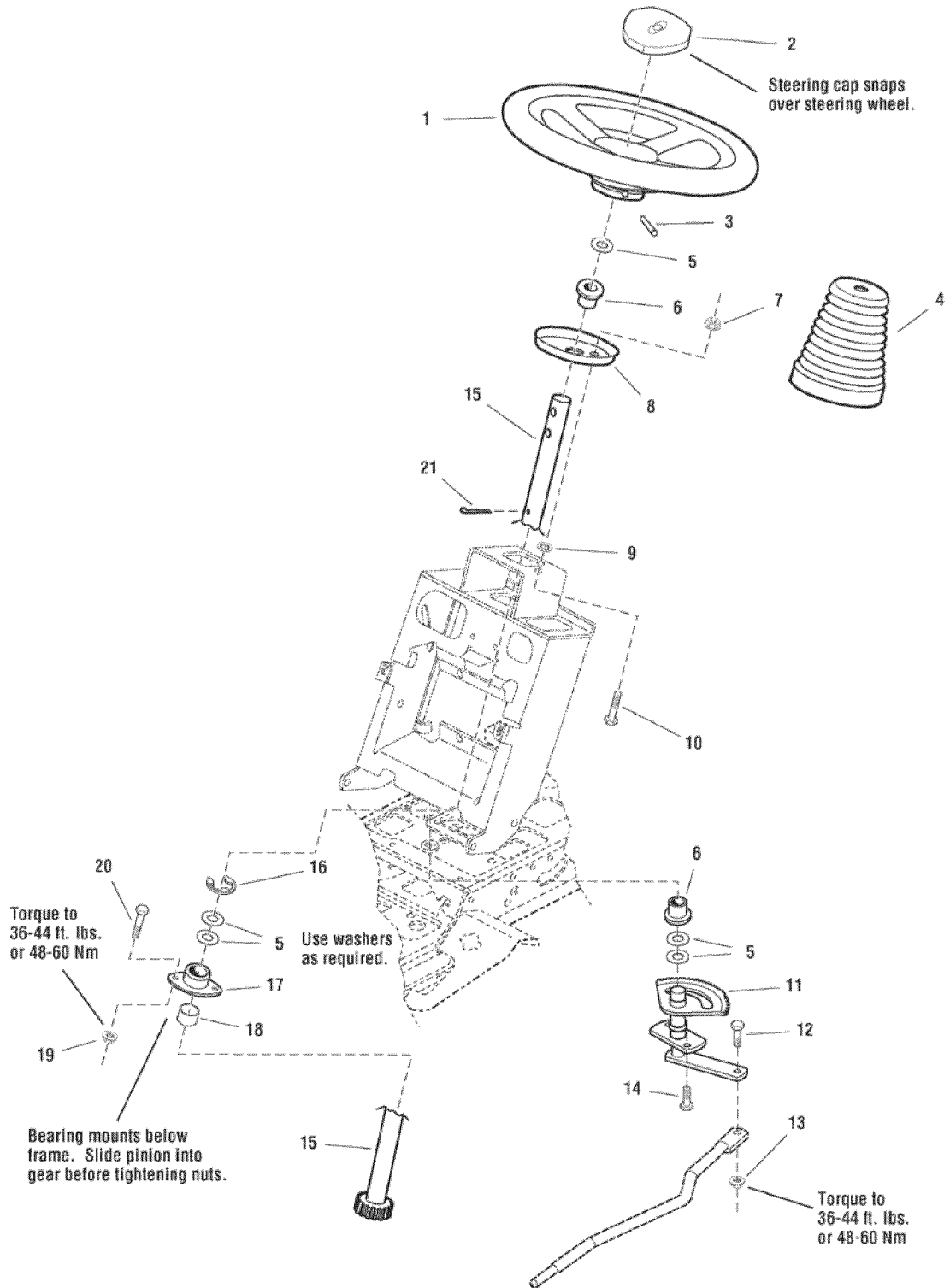
**Frame Group - Manual Steering**

CTX9500 - 107.250060

REF NO	PART NO.	QTY.	DESCRIPTION
46	2860645SM	1	CAPSCREW, Hex Head, 5/8-11 x 3-1/2
47	2860646SM	1	NUT, Hex Flange Two-Way Lock, 5/8-11
48	1722212ASM	1	PLATE, Axle

Footnotes

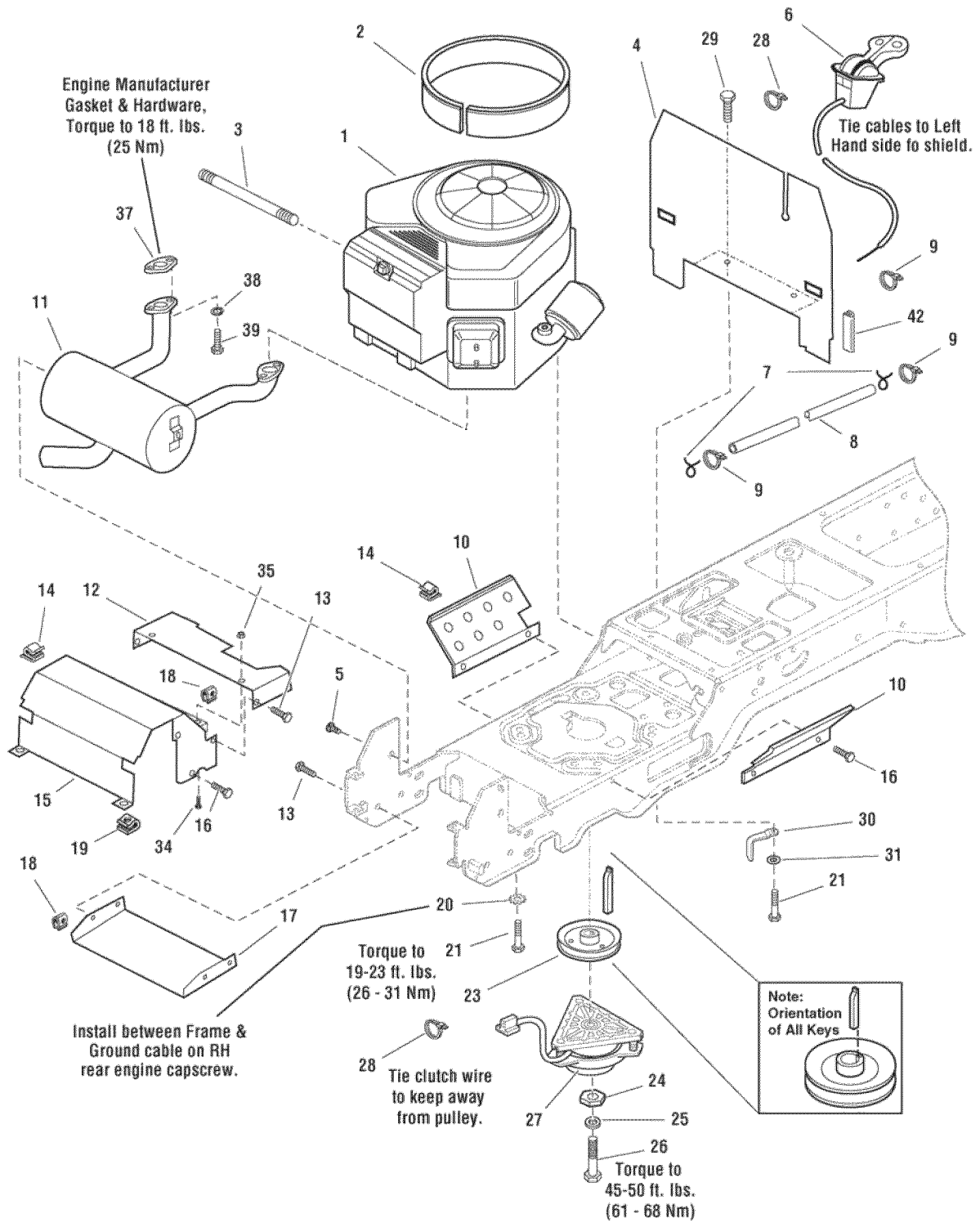
NOTE: Unless noted otherwise, use the standard hardware torque specification chart.



REF NO	PART NO.	QTY.	DESCRIPTION
1	1722318SM	1	STEERING WHEEL, Straight, Shaft
2	1725024SM	1	CAP, Steering Wheel, Plain
3	1960540SM	1	PIN, Spring, 5/16 x 2-1/2
4	1722749SM	1	COVER, Rubber, Upper Steering Shaft
5	1960114SM	5	WASHER, 3/4
6	2176440SM	2	BUSHING, 15/32 x 7/8 x 7/8, Nylon
7	1960636SM	2	NUT, Hex KEPS 5/6-18
8	1721736ASM	1	PLATE, Mounting Steering
9	1933988SM	2	NUT, Push
10	1960655SM	2	CARRIAGE BOLT, 5/16-18 x 1-1/4
11	1724470ASM	1	GEAR & SHAFT ASSEMBLY, Steering
12	1960032SM	1	CAPSCREW, Hex Head, 3/8-16 x 1-1/4, Black
13	1930645SM	1	NUT, Hex Flange Two-Way Lock, 3/8-16
14	1664847SM	2	CAPSCREW, Hex Washer Head Taptite, 5/16-18 x 3/4
15	1721626SM	1	SHAFT & PINION ASSEMBLY, Steering Manual
16	1611710SM	1	RING, Clipping Extension
17	1722459SM	1	BEARING, 3/4 x 1-11/16 x 13/16, 3" Long Housing
18	1722461SM	1	SPACER, 3/4 x 1-1/16 x 3/8, Powder Metal
19	1931211SM	2	NUT, Hex Flange Whiz Lock, 3/8-16, Small
20	1933260SM	2	CAPSCREW, Hex Whiz Lock Flange, 3/8-16 x 3/4, Black
21	1960033SM	1	CLIP, Hairpin

## Footnotes

**NOTE:** Unless noted otherwise,  
use the standard hardware torque  
specification chart.



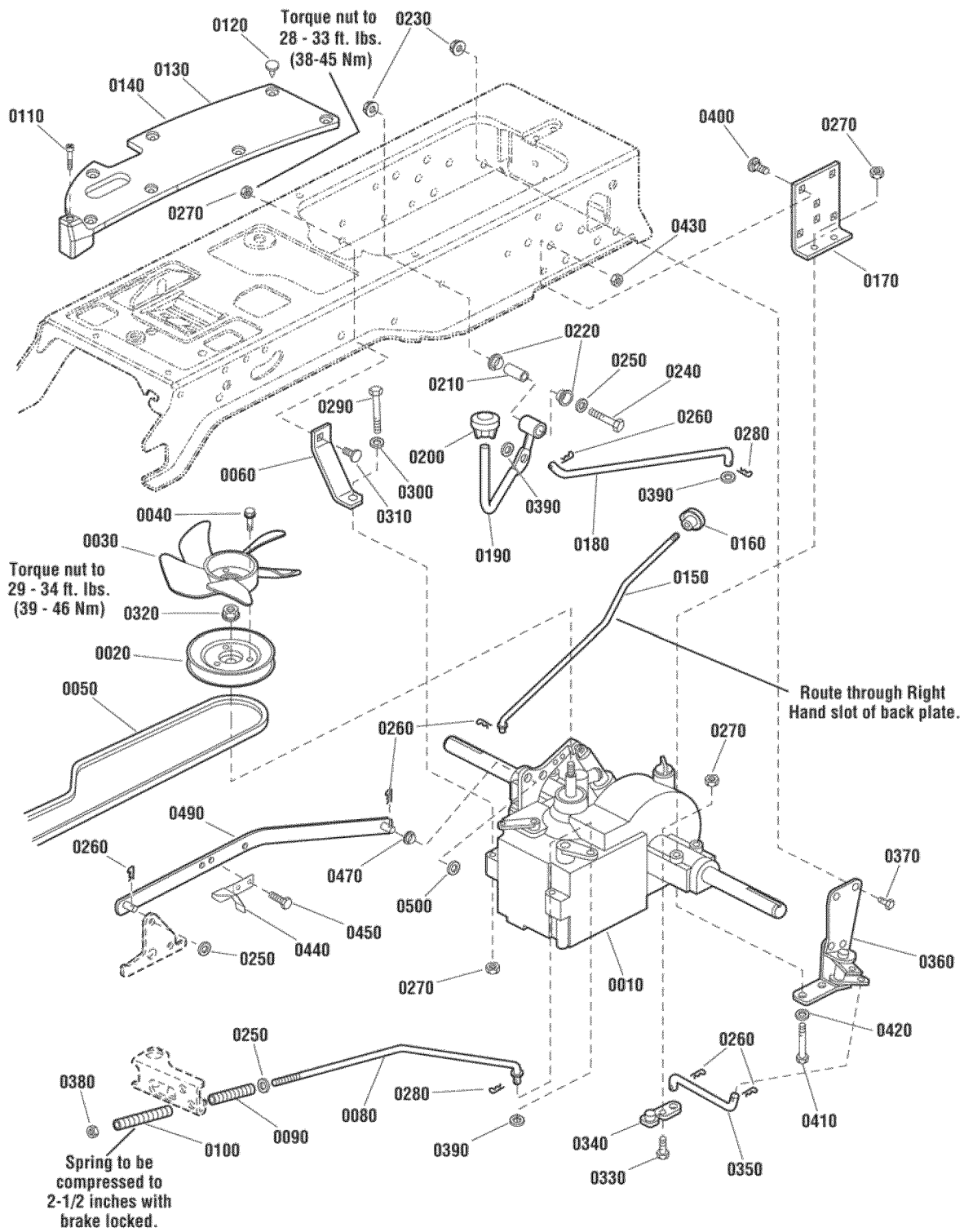


<b>REF NO</b>	<b>PART NO.</b>	<b>QTY.</b>	<b>DESCRIPTION</b>
1	44P777-0184-G5	1	* ENGINE, 26 HP Briggs & Stratton Pro Series Twin (Engine Model: 44P777-0184-G5)
2	1751237YP	1	EDGING, Airduct
3	1723165SM	1	HOSE, Oil Drain
4	1722388ASM	1	HEAT SHIELD
5	1924856SM	2	CAPSCREW, Hex Head, Taptite, 5/16-18 x 1/2
6	1737747YP	1	THROTTLE CONTROL
7	791850	2	CLAMP, Hose, Wire
8	1734985SM	1	HOSE, Fuel
9	1701011SM	1	TIE, Self Locking, 7-5/16 Long
10	1722392ASM	2	SHIELD, Side, Heat
11	1721706SM	1	MUFFLER ASSEMBLY
12	1722390ASM	1	DUCT, Muffler Extension
13	1960295SM	6	CAPSCREW, Hex, Whiz Lock, 1/4-20 x 5/8
14	2834683SM	2	CLIP, Wire
15	1722389ASM	1	DUCT, Muffler Top
16	1927428SM	8	CAPSCREW, Hex Head Taptite, 1/4-20 x 3/8
17	1722414ASM	1	SHIELD, Muffler Bottom
18	1960368SM	8	NUT, Speed, 1/4-20
19	1935255SM	2	NUT, Speed, 3/8-18
20	2820427SM	1	WASHER, Locking, External Teeth, 3/8
21	2830598SM	4	CAPSCREW, Hex Head, Taptite, 3/8-16 x 1-1/2
23	1732576SM	1	PULLEY & HUB ASSEMBLY, Engine
24	1708264SM	1	WASHER, Hex, 7/16 x 1-1/2
25	1918199SM	1	WASHER, Locking, 7/16
26	1960649SM	1	CAPSCREW, Hex Head 7/16-20 x 3-1/2
27	1736105SM	1	CLUTCH, Electric
28	2832747SM	2	TIE, Self Locking
29	1925003SM	2	CAPSCREW, Hex Head Taptite, 1/4-20 x 1/2
30	1737421AYP	1	GUIDE, Belt Retainer, Clutch
31	1924940SM	2	WASHER, Flat, 3/8
34	5025299X4SM	2	CAPSCREW, Allen Head 1/4-20
35	5025126SM	2	NUT, Hex Flange, 1/4-20
37	----	2	* GASKET
38	1917356SM	4	LOCKWASHER, 5/16
39	2860660SM	4	CAPSCREW, Socket Head, 5/16-18 x 7/8, G8
42	1723894SM	1	EDGING, Rubber

**Footnotes**

Note\* See your local Briggs & Stratton distributor for parts and service.

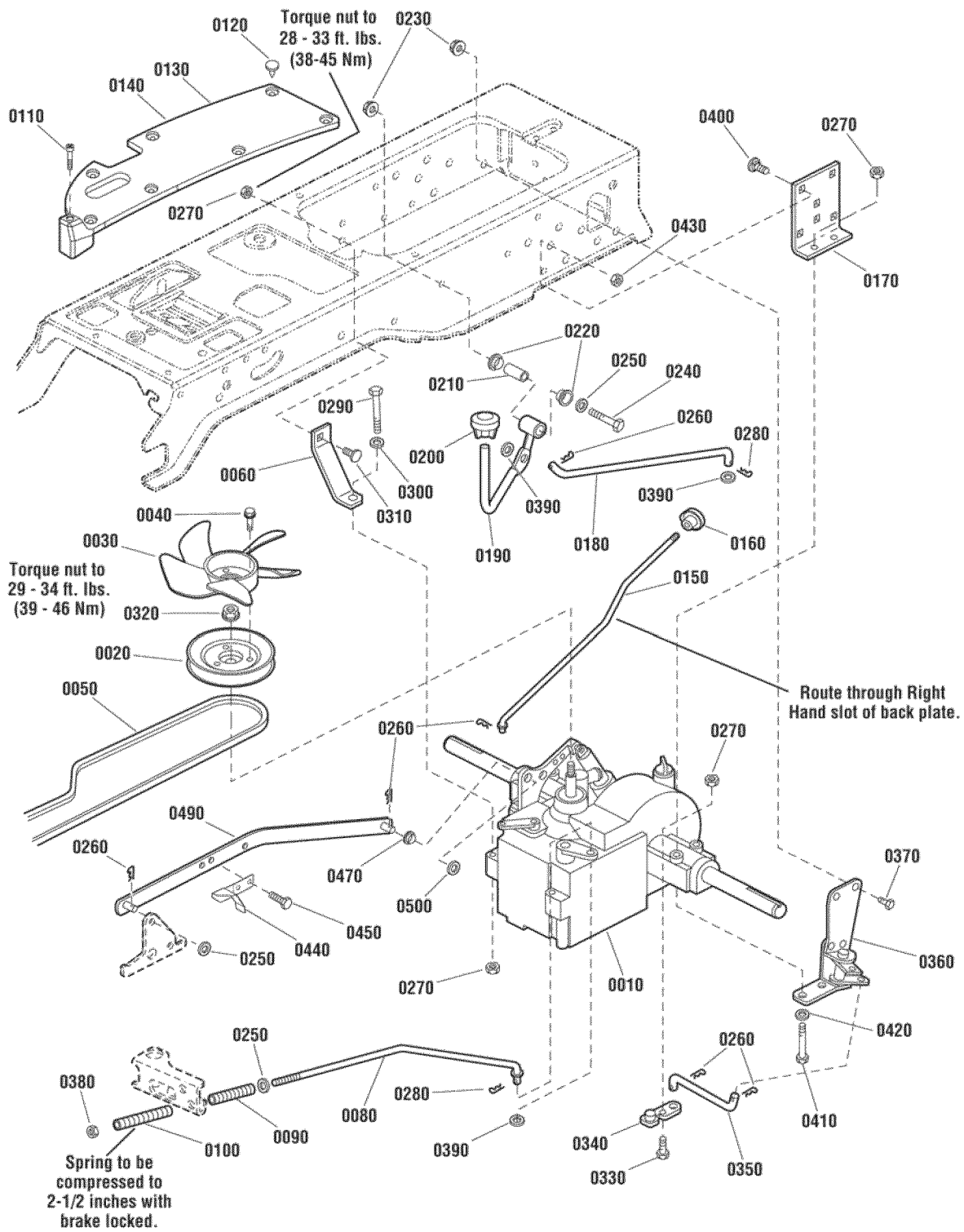
NOTE: Unless noted otherwise, use the standard hardware torque specification chart.



REF NO	PART NO.	QTY.	DESCRIPTION
0010	1733941SM	1	TRANSMISSION ASSEMBLY, K66L Transmission
0020	1722194SM	1	PULLEY & HUB ASSEMBLY, Transmission
0030	1719233SM	1	FAN, 5 Blades, 3 Holes
0040	1933958SM	3	CAPSCREW, Hex Washer Head Taptite, 1/4-20 x 1-1/8
0050	1721392SM	1	V-BELT
0060	1721593ASM	1	STRAP, 4-1/4 Long
0080	1721424SM	1	ROD, Brake, 17-27/64 Long
0090	1722684SM	1	SPRING, Compression
0100	1729277SM	1	SPRING, Compression
0110	1960676SM	2	SCREW, Pan Head Torx Taptite, 1/4-20 x 1-1/4
0120	1704351SM	15	FASTENER, 11/16" Long, Stem Plastic
0130	1722174SM	1	PAD, Footrest, LH, Differential Lock
0140	1722173SM	1	PAD, Footrest, RH
0150	1721622SM	1	ROD, Free Wheel, 18-3/16 Long
0160	1723126SM	1	KNOB, 3 Sided Soft
0170	1721728ASM	2	SUPPORT
0180	1722151SM	1	ROD, Differential Lock, 15-3/16 Long
0190	1721360SM	1	ROD & TUBE ASSEMBLY, Differential Lock Pedal
0200	1716289SM	1	KNOB
0210	1669105SM	1	SPACER, 25/64 x 5/8 x 1-1/2, Hardened
0220	1676148SM	2	BUSHING, 5/8 x 3/4 x 13/32, Powder Metal
0230	1928352SM	2	NUT, Hex Flange Whiz Lock, 3/8-16, Large
0240	1922130SM	1	CAPSCREW, Hex Head, 3/8-16 x 2-1/4
0250	1924940SM	3	WASHER, 3/8
0260	1722460SM	6	PIN, Quick
0270	1960686SM	7	NUT, Hex Flange ESNA, 5/16-18
0280	1918447SM	1	PIN, Cotter, 3/4, Black
0290	1921719SM	1	CAPSCREW, Hex Head, 5/16-18 x 2-1/2
0300	1960141SM	1	WASHER, 5/16
0310	1931335SM	1	CARRIAGE BOLT, 5/16-18 x 1
0320	1719968SM	1	NUT, Hex Flange, M10-1.5, Nylon Insert
0330	1921333SM	1	CAPSCREW, Hex Head, 5/16-18 x 1
0340	1722383SM	1	ARM, Differential Lock
0350	1722152SM	1	ROD, Differential Latch, 2 Bends, 6-3/16 Long
0360	1722903SM	1	PIVOT ASSEMBLY, Differential Lock
0370	1921210SM	1	CAPSCREW, Hex Head, 3/8-16 x 1, Black
0380	1960687SM	2	NUT, Hex Flange ESNA, 3/8-16
0390	1918267SM	3	WASHER, 7/16
0400	1931350SM	6	CARRIAGE BOLT, 3/8-16 x 1
0410	1960590SM	4	CAPSCREW, Hex Head, 5/16-18 x 3
0420	1919326SM	2	WASHER, 5/16, Black
0430	1960637SM	6	NUT, Hex KEPS, 3/8-16
0440	1727215ASM	1	ACTUATOR, Switch
0450	1924856SM	2	CAPSCREW, Hex Head Taptite, 5/16-18 x 1/2
0470	1722648SM	1	BEARING, Nyliner

## Footnotes

NOTE: Unless noted otherwise, use the standard hardware torque specification chart.



**Transmission Group**

**CTX9500 - 107.250060**

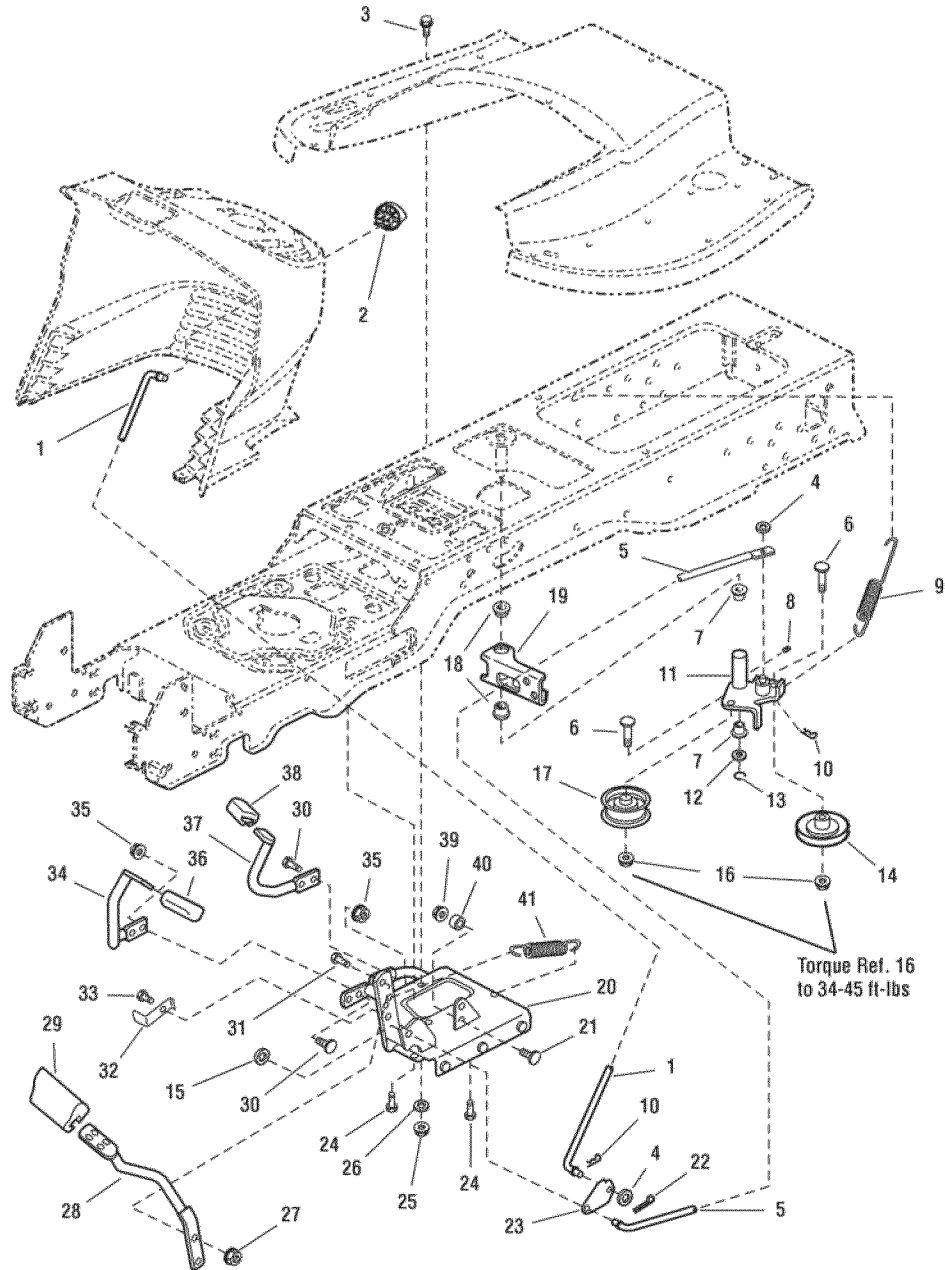
---

<b>REF NO</b>	<b>PART NO.</b>	<b>QTY.</b>	<b>DESCRIPTION</b>
0490	1726757SM	1	ARM & WELD PINS ASSEMBLY, Control K66
0500	1960027SM	1	WASHER, Flat, 1/2

---

**Footnotes**

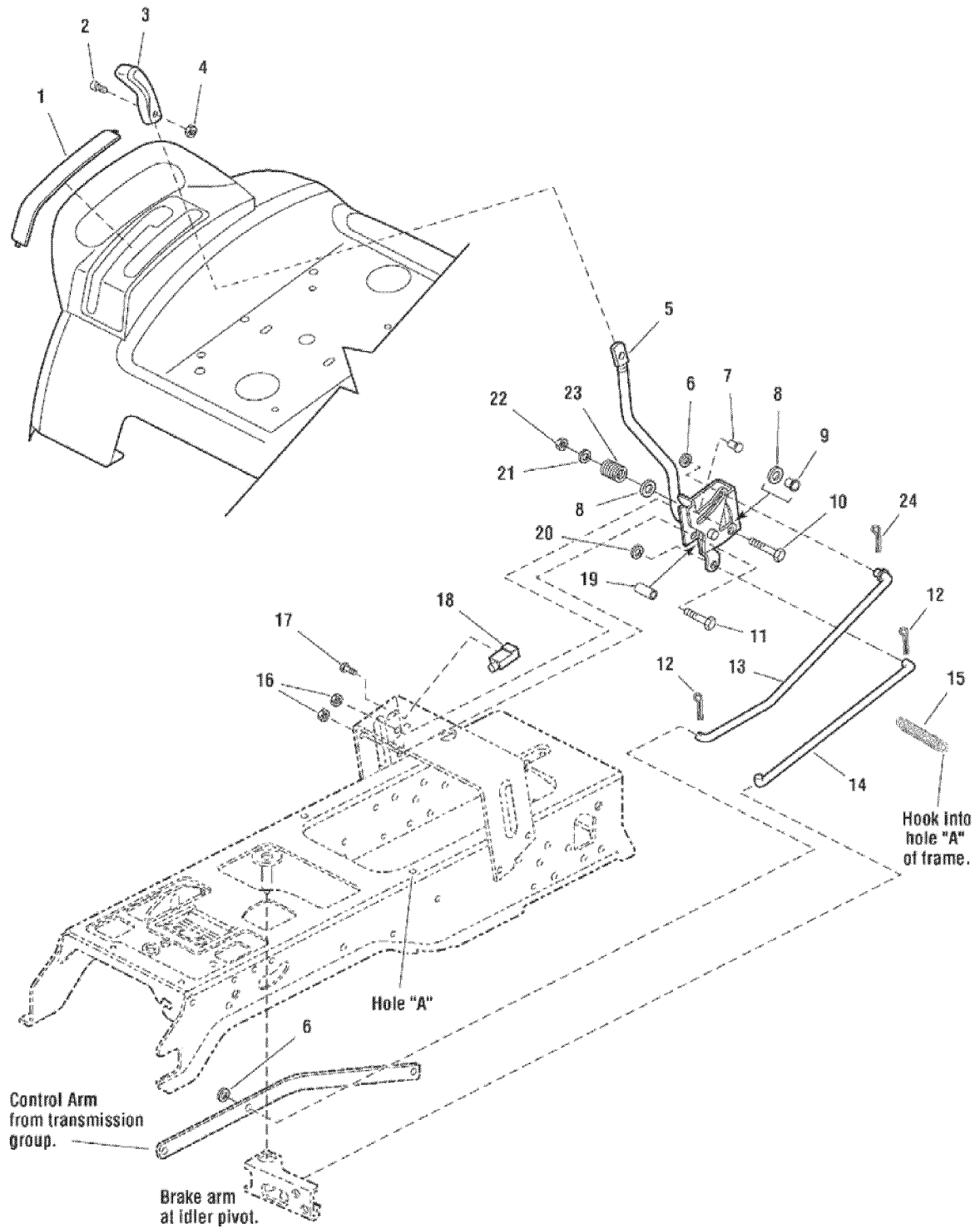
NOTE: Unless noted otherwise,  
use the standard hardware torque  
specification chart.



REF NO	PART NO.	QTY.	DESCRIPTION
1	1721353SM	1	ROD, Brake Lock
2	1721891SM	1	KNOB, Push On, Red Plastic "P"
3	1930591SM	1	CAPSCREW, Hex Flange Whiz Lock, 5/16-18 x 3/4
4	1919326SM	2	WASHER, 5/16, Black
5	1721476SM	1	ROD, Brake
6	1931353SM	2	BOLT, Carriage, 3/8-16 x 1 3/4
7	1663114SM	2	BUSHING, 5/8 x 3/4 x 3/4, Nylon
8	2821133SM	1	FITTING, Lube, 1/4
9	1725250SM	1	SPRING, Extension
10	1722460SM	3	PIN, Quick
11	1726882SM	1	ARM & HUB ASSEMBLY, Idler
12	1960020SM	1	WASHER, 5/8
13	1704420SM	1	RING, Clipping Extension
14	1721134SM	1	PULLEY, w/Bearing
15	1924940SM	1	WASHER, 3/8
16	1960687SM	2	NUT, Hex Flange ESNA, 3/8-16
17	1721133SM	1	PULLEY, Idler
18	1723237SM	2	BUSHING, 1 x 1-1/8 x 5/8, Nylon
19	1722513SM	1	ARM, Brake
20	1726763AYP	1	PEDAL ASSEMBLY, Foot
21	1931320SM	1	BOLT, Carriage, 1/4-20 x 1-1/4
22	1918447SM	1	PIN, Cotter, Black
23	1721354ASM	1	LATCH, Brake
24	1664847SM	3	CAPSCREW, Hex Washer Head Taptite, 5/16-18 x 3/4
25	1919438SM	1	NUT, Hex Lock ESNA Light, 5/16-18
26	1919381SM	1	WASHER, 5/16, Black
27	1927557SM	2	NUT, Hex Flange Whiz Lock Large, 5/16-18
28	1722535ASM	1	PEDAL, Brake
29	1721577SM	1	PAD, Brake Pedal
30	1931334SM	4	BOLT, Carriage, 5/16-18 x 7/8
31	1921333SM	2	CAPSCREW, 5/16-18 x 1
32	1722083ASM	1	ACTUATOR, Switch 2.53" Long
33	1923683SM	1	CAPSCREW, Hex Washer Head Taptite, 3/8-16 x 3/4
34	1722070ASM	1	PEDAL, Forward
35	1960636SM	4	NUT, Hex KEPS, 5/16-18
36	1721675SM	1	PAD, Foot Pedal Forward
37	1722071ASM	1	PEDAL, Reverse
38	1721674SM	1	PAD, Foot Pedal Reverse
39	1920397SM	1	NUT, Hex Lock ESNA Light, 1/4-20
40	1686612SM	1	CAM, Roller
41	1721995SM	1	SPRING, Extension

## Footnotes

NOTE: Unless noted otherwise,  
use the standard hardware torque  
specification chart.

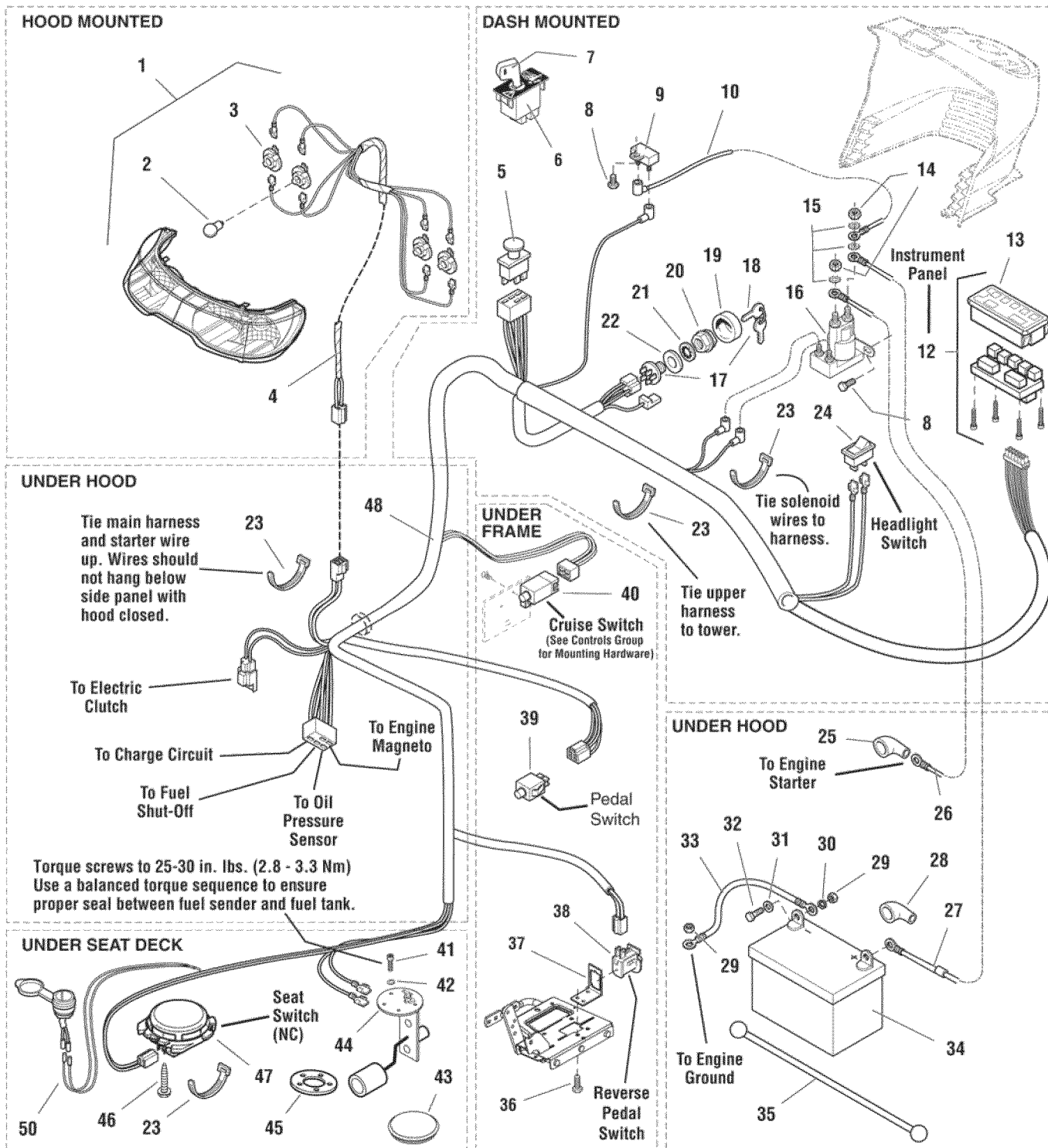




<b>REF NO</b>	<b>PART NO.</b>	<b>QTY.</b>	<b>DESCRIPTION</b>
1	1722314SM	1	COVER, w/Cruise Icon
2	1960666SM	1	SCREW, Torque Head Plus Socket Head, 1/4-20 x 7/8
3	1722303SM	1	KNOB, Cruise
4	1920397SM	1	NUT, Hex Lock ESNA Light, 1/4-20
5	1722003AYP	1	LEVER & BRACKET ASSEMBLY, Cruise
6	1960103SM	2	WASHER, 3/8, Black
7	1931333SM	1	BOLT, Carriage, 5/16-18 x 3/4
8	1924361SM	2	WASHER, 1/2
9	1709043SM	1	SPACER, w/Flange, 11/32 x 15/32 x 3/4
10	1931342SM	1	BOLT, Carriage, 5/16-18 x 2-3/4
11	1960273SM	1	BOLT, Carriage, 5/16-18 x 2-1/4
12	1722460SM	2	PIN, Quick
13	1722117SM	1	ROD, Cruise
14	1733719SM	1	ROD, Return
15	2159106SM	1	SPRING, Cruise Return to Frame
16	1960636SM	2	NUT, Hex KEPS, 5/16-18
17	1960001SM	2	CAPSCREW, Hex Washer Head Plastite, 10-14 x 5/8
18	1717050SM	1	SWITCH, Push, Neutral Start, Gray
19	1722080SM	1	SPACER, 11/32 x 5/8 x 1-13/32
20	1919326SM	1	WASHER, 5/16, Black
21	1919381SM	1	WASHER, 5/16, Black
22	1919438SM	1	NUT, Hex Lock ESNA Light, 5/16-18
23	1677746SM	1	SPRING, Compression
24	1918447SM	1	PIN, Cotter

**Footnotes**

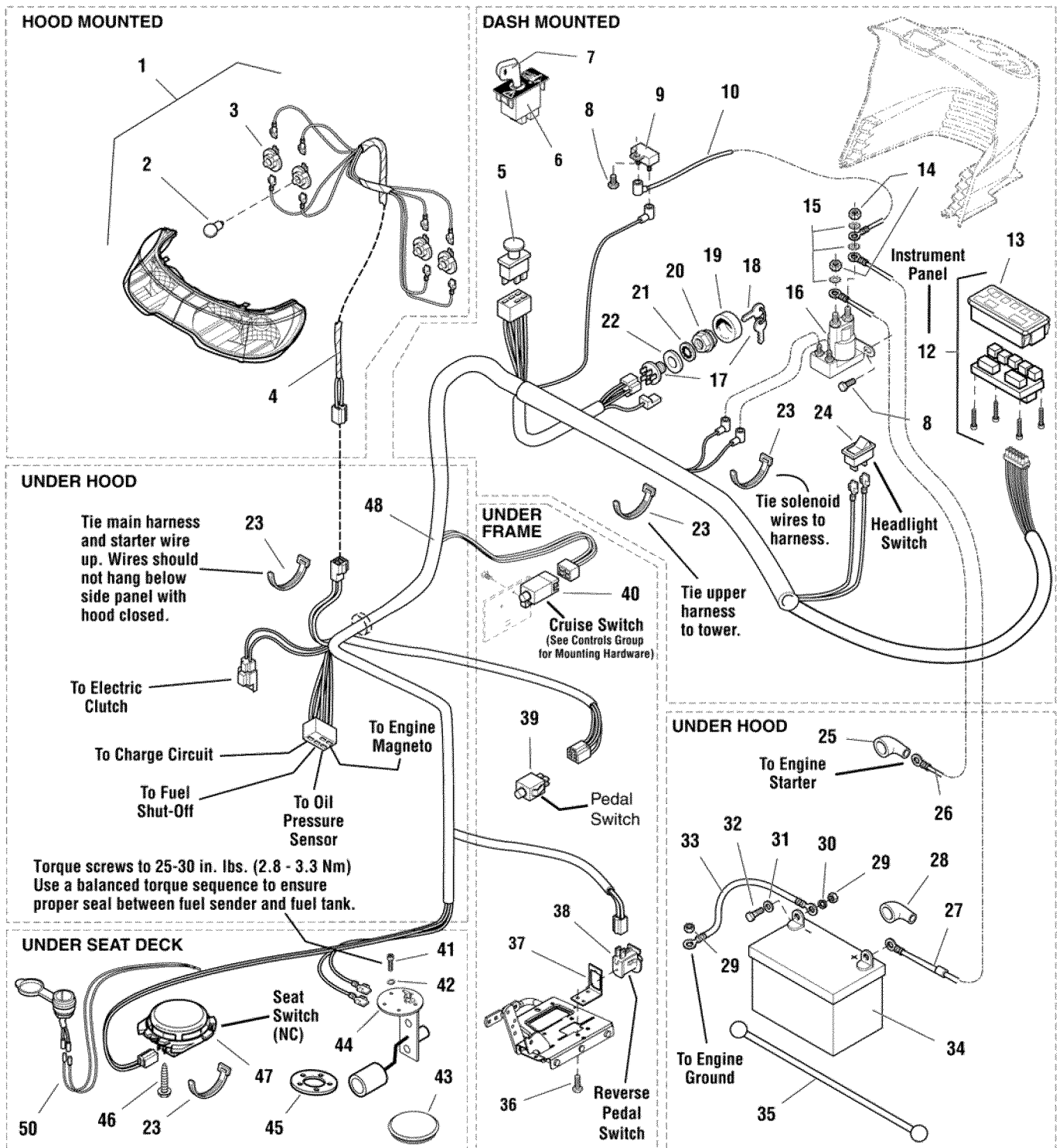
NOTE: Unless noted otherwise, use the standard hardware torque specification chart.



<b>REF NO</b>	<b>PART NO.</b>	<b>QTY.</b>	<b>DESCRIPTION</b>
1	1721810SM	1	HEADLIGHT ASSEMBLY, 4 Bulb (Includes Ref. Nos. 2 & 3)
2	1677371SM	4	BULB, Headlight, 12.8V
3	1723451SM	4	SOCKET ASSEMBLY, Headlight, Sealed
4	1722669SM	1	HARNESS, Headlight
5	5022180SM	1	SWITCH, PTO Push/Pull Symbols
6	1726556SM	1	SWITCH, RMO Module Only
7	1727185SM	1	KEY, RMO Module, Plastic
8	1925003SM	4	CAPSCREW, Hex Washer Head Taptite, 1/4-20 x 1/2, Black
9	1665238SM	1	BREAKER, Circuit, 12 Volt 20 Amps
10	1665237SM	1	WIRE, 12GA 5-15/16 Long, Red
12	1725074SM	1	PANEL, Instrument w/ Fuel Gage & Hour Meter (Includes Ref. No. 13)
13	1724865SM	1	COVER, Instrument Panel
14	2860750SM	2	NUT, KEPS Lock 5/16-24 (CE/Export) (Used only on RMO/ACS Models)
15	2820426SM	3	LOCKWASHER, External Tooth, 5/16
16	1728963SM	1	SOLENOID (CE/Export) (Used only on RMO/ACS Models)
17	1686734SM	1	SWITCH ASSEMBLY, Ignition, 6 Pin INDAK (Includes Ref. Nos. 18, 19, 20, 21 & 22)
18	1717163SM	1	KEYS, Set of 2
19	1717550SM	1	COVER, For Ignition Switch, Plastic
20	1717549SM	1	NUT, Hex Flange, 5/8-32, Ignition Switch
21	1960547SM	1	LOCKWASHER, Internal Tooth, 5/8, Thin
22	2101025SM	1	WASHER, Shim
23	1701011SM	4	TIE, Strap, 7-5/16 Long (CE/Export) (Used only on RMO/ACS Models)
24	1716951SM	1	SWITCH, Headlights , 2 Terminal
25	1713535SM	1	BOOT, Insulator Cable Terminal, 1-15/16 Long, Red
26	1721830SM	1	CABLE, #6 x 25" Long, Ring Terminals
27	1603618SM	1	CABLE, #6 x 8" Long, Ring Terminals
28	1677296SM	1	BOOT, Insulator Battery Terminal
29	2816622SM	3	NUT, Hex, 1/4-20
30	2816964SM	2	LOCKWASHER, 1/4
31	2821319SM	2	WASHER, 1/4
32	2823341SM	2	CAPSCREW, Hex Head, 1/4-20 x 3/4
33	1713163SM	1	CABLE, #6 x 26 Long, Ring Terminal
34	1685215SM	1	BATTERY, 12 Volt
35	1722009SM	1	STRAP, Battery, 14 Long, Rubber
36	1927428SM	2	CAPSCREW, Hex Head Taptite, 1/4-20 x 3/8
37	1726810ASM	1	BRACKET, Switch Mount
38	1704379SM	1	SWITCH, Reverse Pedal (CE/Export) (Used only on RMO/ACS Models)
39	1732006SM	1	SWITCH, Push Button, Foot Pedal
40	1717050SM	1	SWITCH, Cruise Control, Grey, NO
41	2860665SM	5	SCREW, Pan Head Torx, #10-32 x 1/2
42	1917365SM	5	LOCKWASHER, 3/16 #10
43	1722309SM	1	PLUG, Hole 3", Round
44	1686921SM	1	SENDER, Fuel Tank (Includes Ref. 45)
45	1685303SM	1	GASKET
46	1960536SM	2	CAPSCREW, Hex Washer Head Plastite, 1/4 x 1/2

**Footnotes**

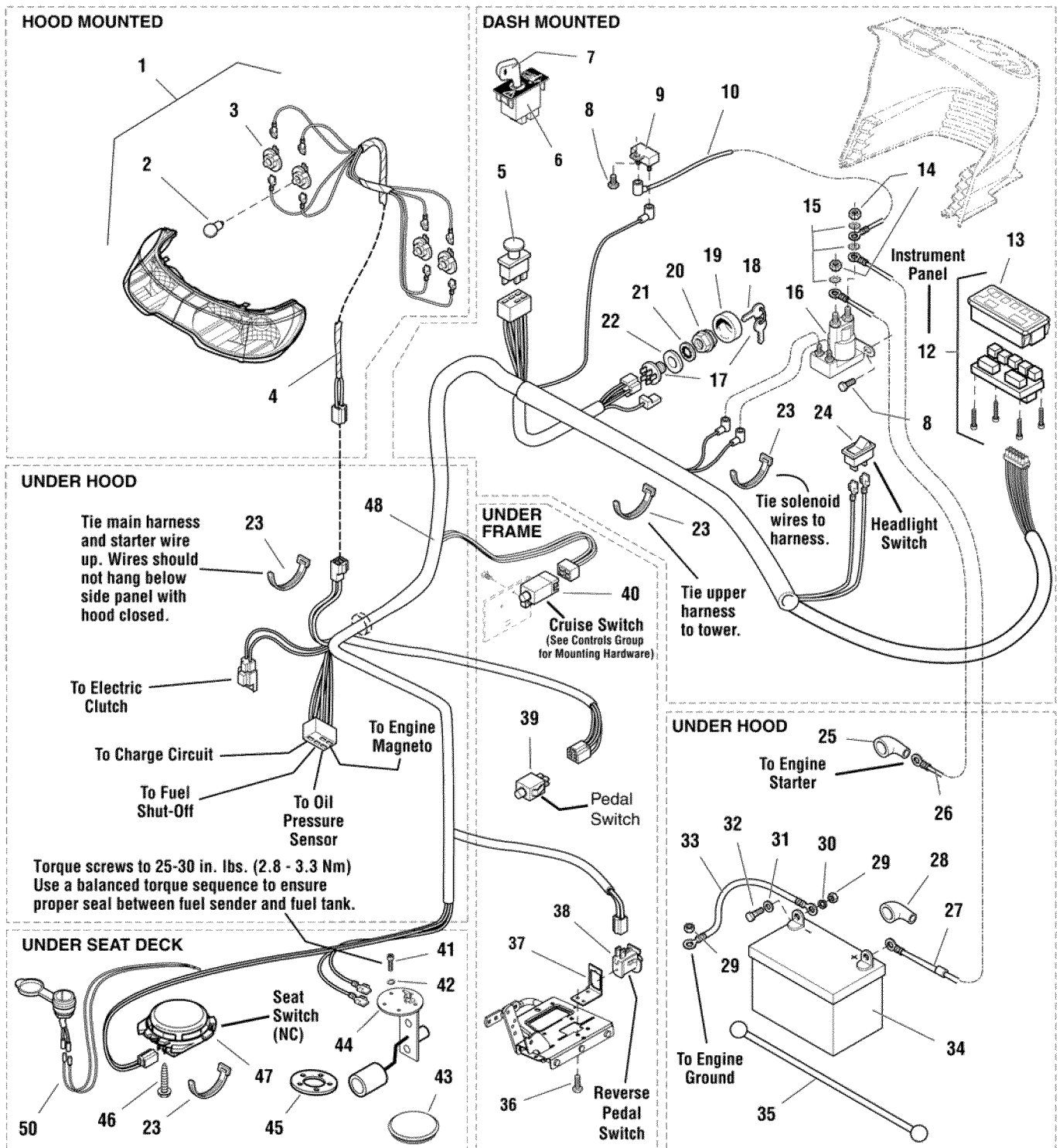
NOTE: Unless noted otherwise, use the standard hardware torque specification chart.



REF NO	PART NO.	QTY.	DESCRIPTION
1	1721810SM	1	HEADLIGHT ASSEMBLY, 4 Bulb (Includes Ref. Nos. 2 & 3)
2	1677371SM	4	BULB, Headlight, 12.8V
3	1723451SM	4	SOCKET ASSEMBLY, Headlight, Sealed
4	1722669SM	1	HARNESS, Headlight
5	5022180SM	1	SWITCH, PTO Push/Pull Symbols
6	1726556SM	1	SWITCH, RMO Module Only
7	1727185SM	1	KEY, RMO Module, Plastic
8	1925003SM	4	CAPSCREW, Hex Washer Head Taptite, 1/4-20 x 1/2, Black
9	1665238SM	1	BREAKER, Circuit, 12 Volt 20 Amps
10	1665237SM	1	WIRE, 12GA 5-15/16 Long, Red
12	1725074SM	1	PANEL, Instrument w/ Fuel Gage & Hour Meter (Includes Ref. No. 13)
13	1724865SM	1	COVER, Instrument Panel
14	2860750SM	2	NUT, KEPS Lock 5/16-24 (CE/Export) (Used only on RMO/ACS Models)
15	2820426SM	3	LOCKWASHER, External Tooth, 5/16
16	1728963SM	1	SOLENOID (CE/Export) (Used only on RMO/ACS Models)
17	1686734SM	1	SWITCH ASSEMBLY, Ignition, 6 Pin INDAK (Includes Ref. Nos. 18, 19, 20, 21 & 22)
18	1717163SM	1	KEYS, Set of 2
19	1717550SM	1	COVER, For Ignition Switch, Plastic
20	1717549SM	1	NUT, Hex Flange, 5/8-32, Ignition Switch
21	1960547SM	1	LOCKWASHER, Internal Tooth, 5/8, Thin
22	2101025SM	1	WASHER, Shim
23	1701011SM	4	TIE, Strap, 7-5/16 Long (CE/Export) (Used only on RMO/ACS Models)
24	1716951SM	1	SWITCH, Headlights , 2 Terminal
25	1713535SM	1	BOOT, Insulator Cable Terminal, 1-15/16 Long, Red
26	1721830SM	1	CABLE, #6 x 25" Long, Ring Terminals
27	1603618SM	1	CABLE, #6 x 8" Long, Ring Terminals
28	1677296SM	1	BOOT, Insulator Battery Terminal
29	2816622SM	3	NUT, Hex, 1/4-20
30	2816964SM	2	LOCKWASHER, 1/4
31	2821319SM	2	WASHER, 1/4
32	2823341SM	2	CAPSCREW, Hex Head, 1/4-20 x 3/4
33	1713163SM	1	CABLE, #6 x 26 Long, Ring Terminal
34	1685215SM	1	BATTERY, 12 Volt
35	1722009SM	1	STRAP, Battery, 14 Long, Rubber
36	1927428SM	2	CAPSCREW, Hex Head Taptite, 1/4-20 x 3/8
37	1726810ASM	1	BRACKET, Switch Mount
38	1704379SM	1	SWITCH, Reverse Pedal (CE/Export) (Used only on RMO/ACS Models)
39	1732006SM	1	SWITCH, Push Button, Foot Pedal
40	1717050SM	1	SWITCH, Cruise Control, Grey, NO
41	2860665SM	5	SCREW, Pan Head Torx, #10-32 x 1/2
42	1917365SM	5	LOCKWASHER, 3/16 #10
43	1722309SM	1	PLUG, Hole 3", Round
44	1686921SM	1	SENDER, Fuel Tank (Includes Ref. 45)
45	1685303SM	1	GASKET
46	1960536SM	2	CAPSCREW, Hex Washer Head Plastite, 1/4 x 1/2

## Footnotes

NOTE: Unless noted otherwise, use the standard hardware torque specification chart.



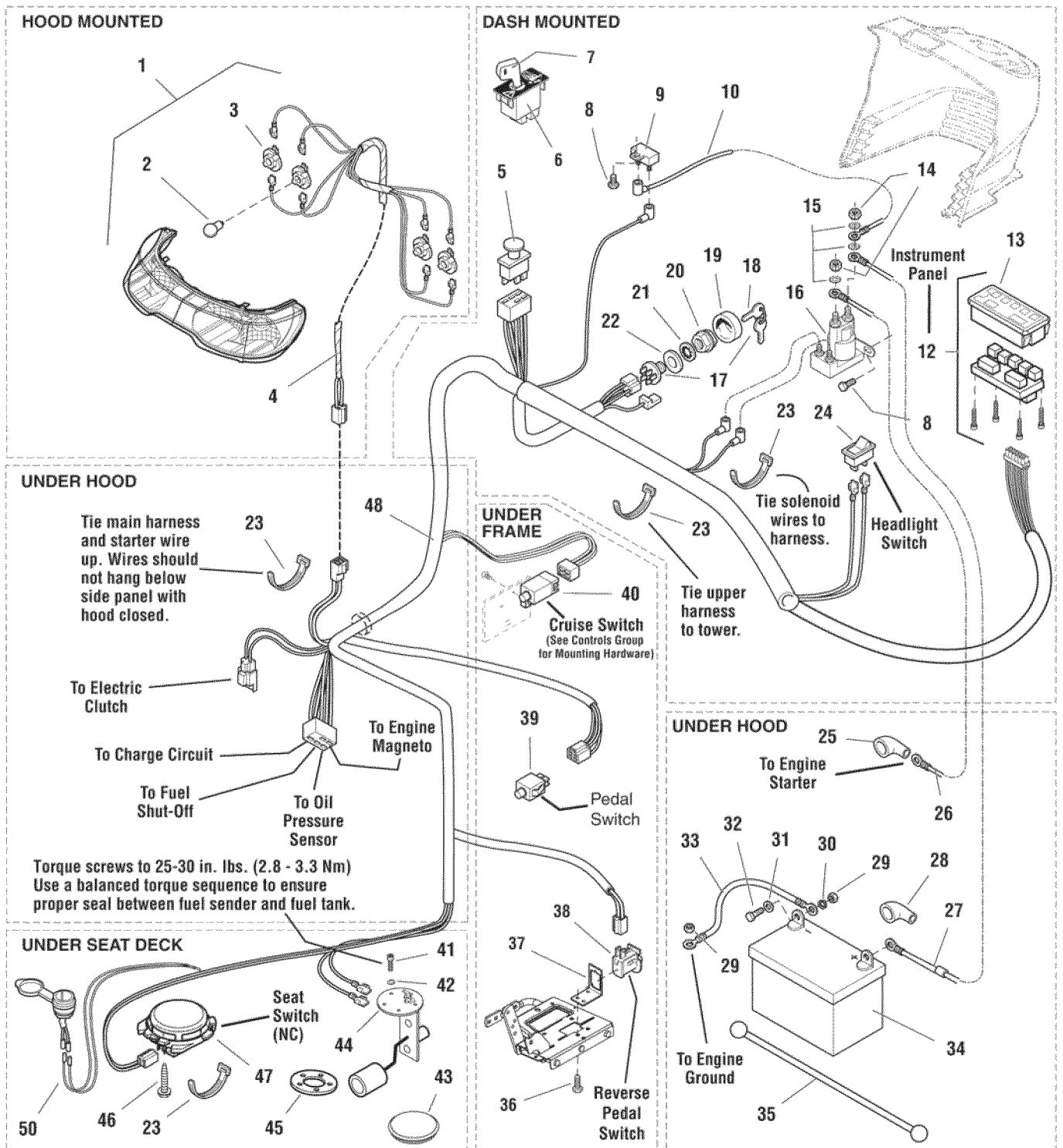
**Electrical Group**

CTX9500 - 107.250060

REF NO	PART NO.	QTY.	DESCRIPTION
47	1718981SM	1	SWITCH, Seat, Grey, NC (CE/Export) (Used only on RMO/ACS Models)
48	1739708YP	1	HARNESS, Wiring (CE/Export) (Used only on RMO/ACS Models)
50	1725302SM	1	12-VOLT OUTLET (CE/Export) (Used only on RMO/ACS Models)
51	1716329SM	1	SWITCH, Mower Height Adjust

Footnotes

NOTE: Unless noted otherwise, use the standard hardware torque specification chart.





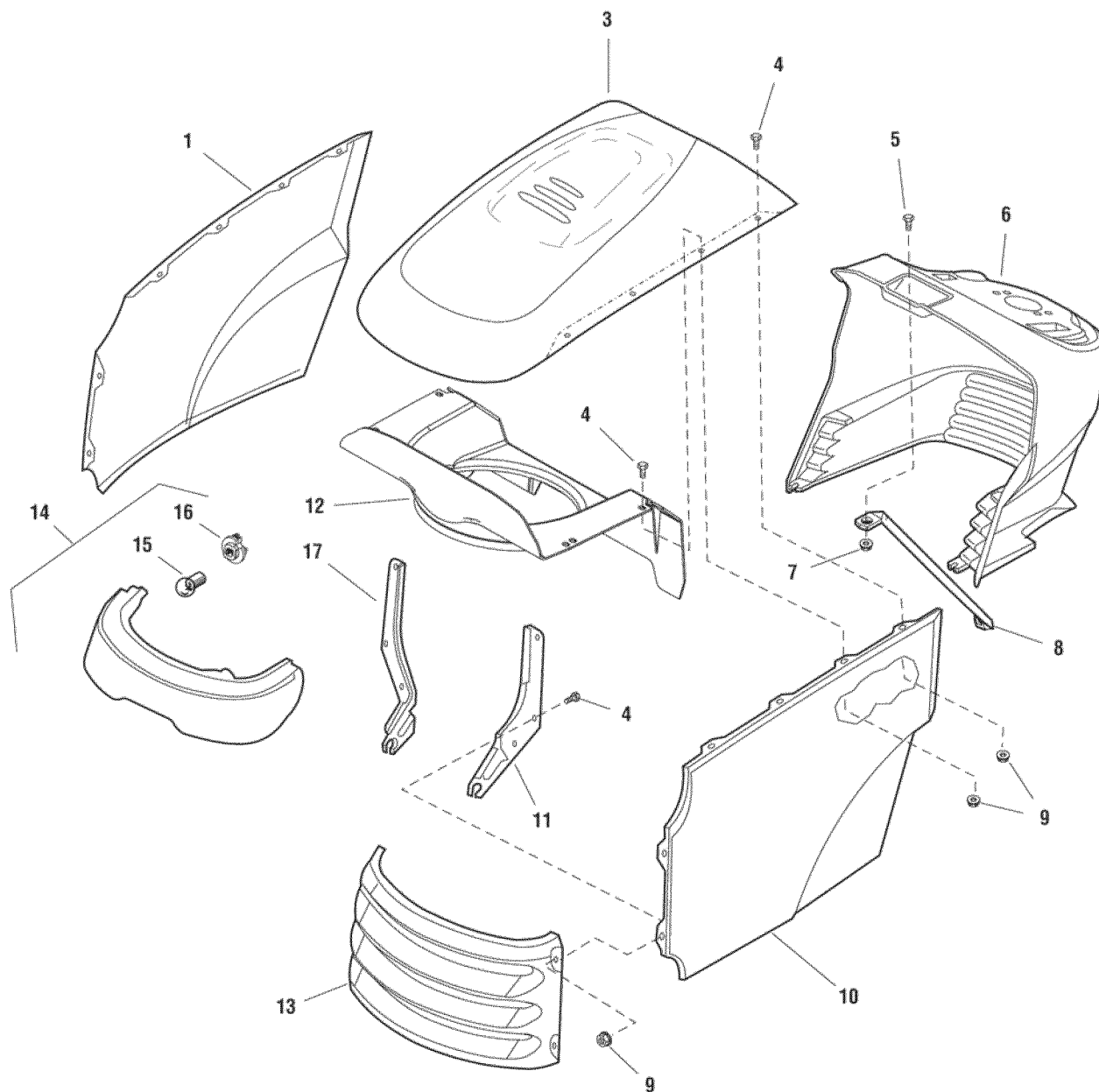
**Electrical Group**

CTX9500 - 107.250060

REF NO	PART NO.	QTY.	DESCRIPTION
47	1718981SM	1	SWITCH, Seat, Grey, NC (CE/Export) (Used only on RMO/ACS Models)
48	1739708YP	1	HARNESS, Wiring (CE/Export) (Used only on RMO/ACS Models)
49	1734025SM	1	WIRING ASSEMBLY, All Conditions Shutdown (CE/Export) (Used only on RMO/ACS Models)
50	1725302SM	1	12-VOLT OUTLET (CE/Export) (Used only on RMO/ACS Models)
51	1716329SM	1	SWITCH, Mower Height Adjust

**Footnotes**

NOTE: Unless noted otherwise,  
use the standard hardware torque  
specification chart.



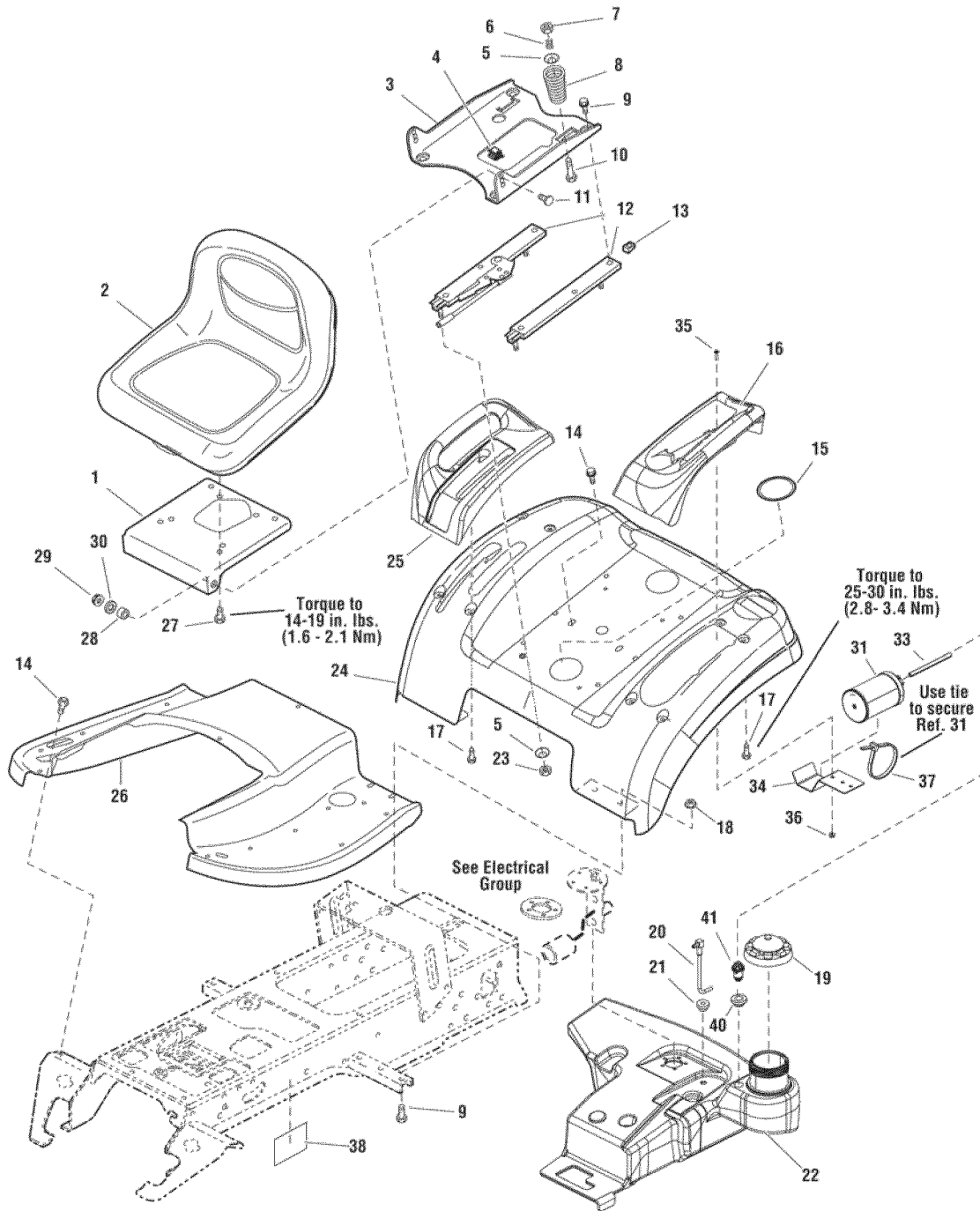
**Hood, Grille & Dash Group**

CTX9500 - 107.250060

REF NO	PART NO.	QTY.	DESCRIPTION
1	1721804ZYP	1	PANEL, RH Side
3	1722110ZYP	1	HOOD, with Louvers
4	1960295SM	12	CAPSCREW, Hex Head Flange Lock, 1/4-20 x 5/8
5	1960392SM	1	SCREW, Phillips Head, #10-24 x 1/2
6	1687054SM	1	DASHBOARD, RMO, Black
7	1933896SM	1	NUT, Hex Nylock, #10-24
8	1723123SM	1	ROD, Dash Support
9	1930641SM	12	NUT, Hex Flange Lock, 1/4-20
10	1721803ZYP	1	PANEL, LH Side
11	1721808ASM	1	HINGE, LH
12	1722391ASM	1	DUCT, Air Inlet
13	1721802BRYP	1	GRILLE
14	1721810SM	1	HEADLIGHT ASSEMBLY (Includes Ref. Nos. 15 & 16)
15	1677371SM	4	BULB, Headlight (Included with Ref. No. 14)
16	1723451SM	4	SOCKET, Headlight (Included with Ref. No. 14)
17	1721809ASM	1	HINGE, RH

Footnotes

NOTE: Unless noted otherwise,  
use the standard hardware torque  
specification chart.



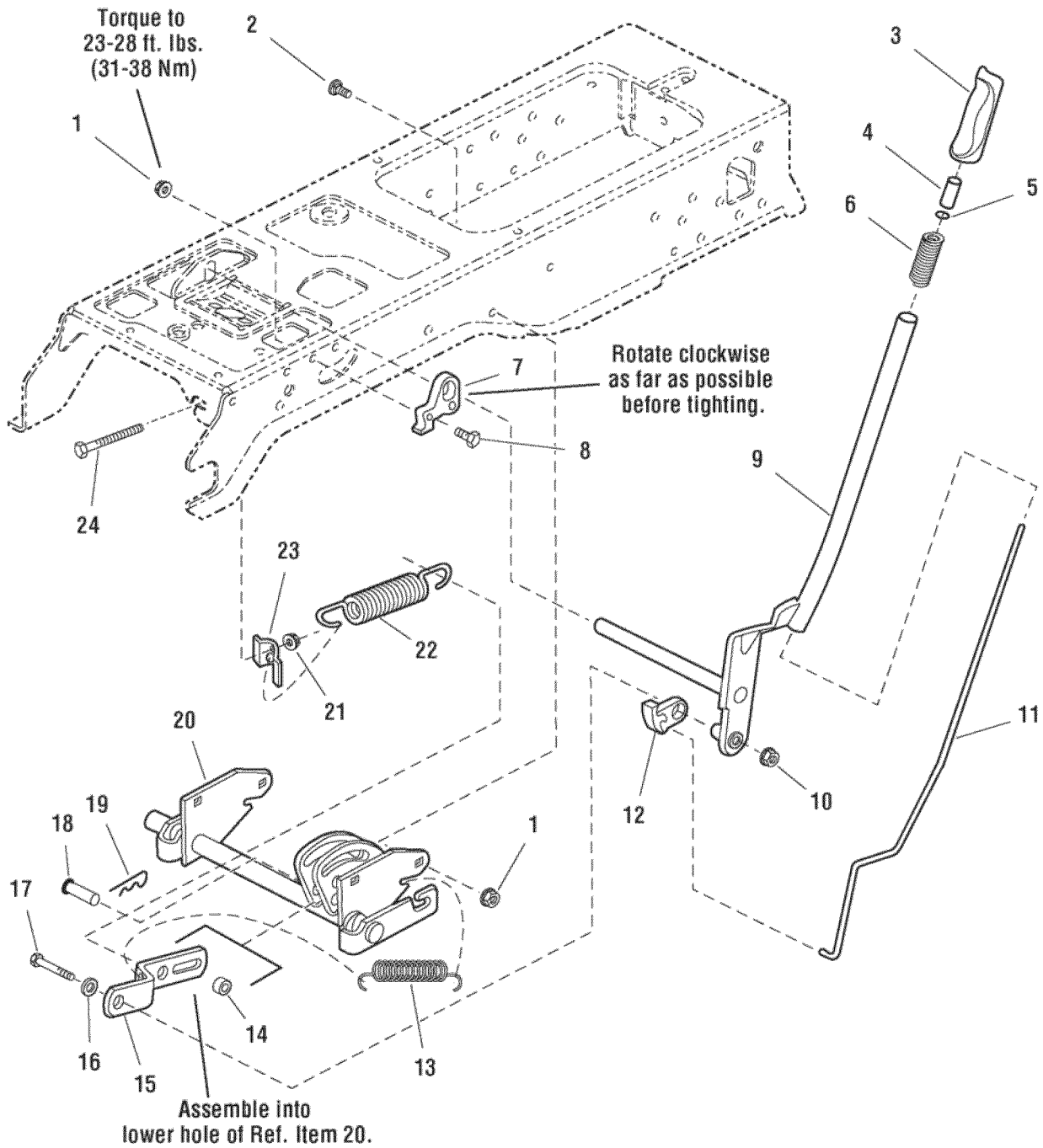
**Seat & Seat Deck Group - EVAP Compliant**

CTX9500 - 107.250060

REF NO	PART NO.	QTY.	DESCRIPTION
1	1722129ASM	1	BRACKET, 1-5/8 x 1-3/4
2	1753728YP	1	SEAT, 18"
3	1722128ASM	1	SUPPORT, Seat
4	2172434SM	1	CLIP, Wire
5	1709256SM	2	WASHER, Spring, 5/16 x 1-1/4
6	1714263SM	2	SPRING, Compression
7	1919438SM	6	NUT, Hex Lock, ESNA Light, 5/16-18
8	1717051SM	2	SPRING, Compression
9	1930591SM	8	CAPSCREW, Hex Flange Whiz Lock, 5/16-18 x 3/4
10	1931339SM	2	BOLT, Carriage, 5/16-18 x 2
11	1931350SM	2	BOLT, Carriage, 3/8-16 x 1
12	1722356SM	1	SLIDE, Seat
13	1935255SM	4	NUT, Speed, 5/16-18, Lug Type
14	1930601SM	4	CAPSCREW, Hex Washer Head Taptite, 5/16-18 x 5/8
15	1722309SM	2	PLUG, Plastic
16	1729711SM	1	POD, with Cup Holder, LH
17	2860664SM	8	CAPSCREW, Hex Washer Head, 1/4-20 x 5/8
18	1931277SM	4	NUT, Hex Flange Whiz Lock, 5/16-18
19	5103005YP	1	CAP, Gas
20	1722340SM	1	TUBE & ELBOW ASSEMBLY
21	1654930SM	1	BUSHING, 3/8 x 9/16 x 5/8, Rubber
22	1751622YP	1	TANK, Fuel (Incl. Ref. Nos. 39, 40 & 41)
23	1960636SM	8	NUT, Hex KEPS, 5/16-18
24	1722106ZYP	1	DECK, Seat
25	1722108SM	1	POD, RH with 2 Slots
26	1722105ZYP	1	TUNNEL
27	1960667SM	4	CAPSCREW, Hex Flange Whiz Lock, 5/16-18 x 1
28	1663752SM	2	SPACER, 25/64 x 5/8 x 3/16, Hardened
29	1930645SM	2	NUT, Hex Flange Two-Way Lock, 3/8-16
30	1924940SM	2	WASHER, 3/8
31	1751599YP	1	CARBON CANISTER, 300CC
33	7700552x5YP	1	HOSE, Vapor
34	1752099AYP	1	BRACKET, Canister Mounting
35	1960589SM	2	SCREW, Round Head Phillips, #10-24 x 3/4
36	1960591SM	2	NUT, KEPS Lock, #10-24
37	1701011SM	1	TIE, Self Locking
38	----	1	DECAL, EVAP
40	799624	1	GROMMET (Included with Ref. No. 22)
41	7104638YP	1	REMOTE VENT ASSEMBLY (Included with Ref. No. 22)

**Footnotes**

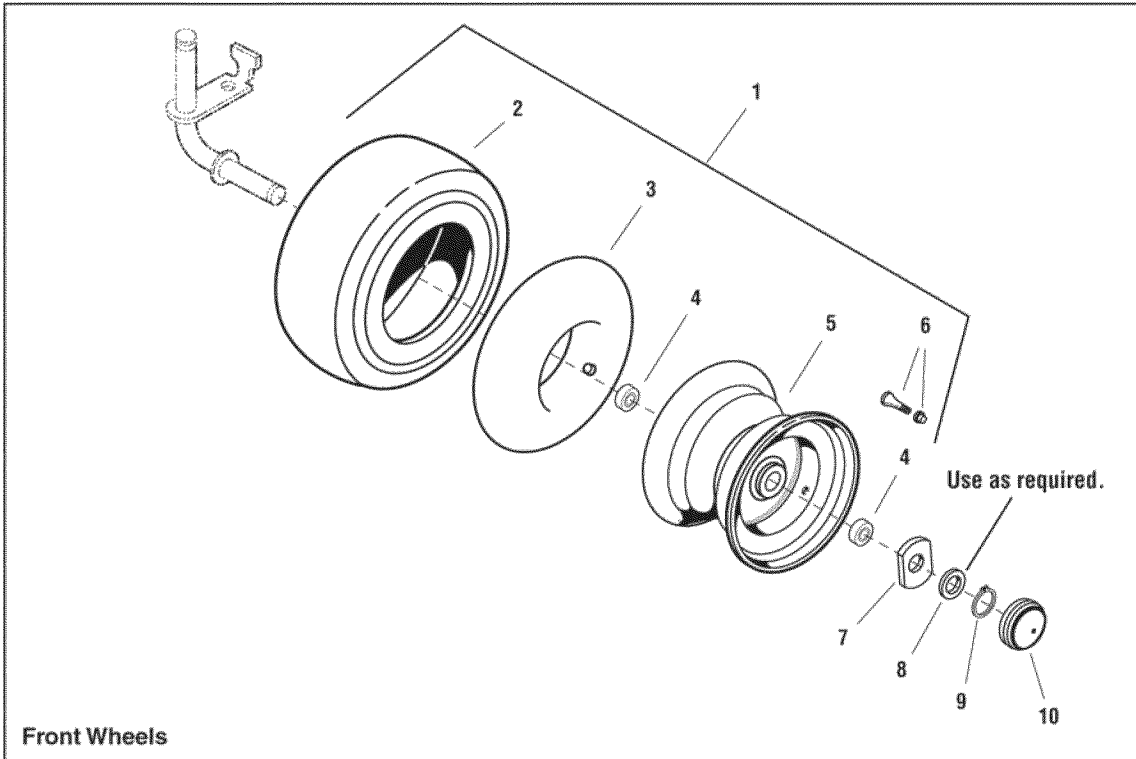
NOTE: Unless noted otherwise, use the standard hardware torque specification chart.



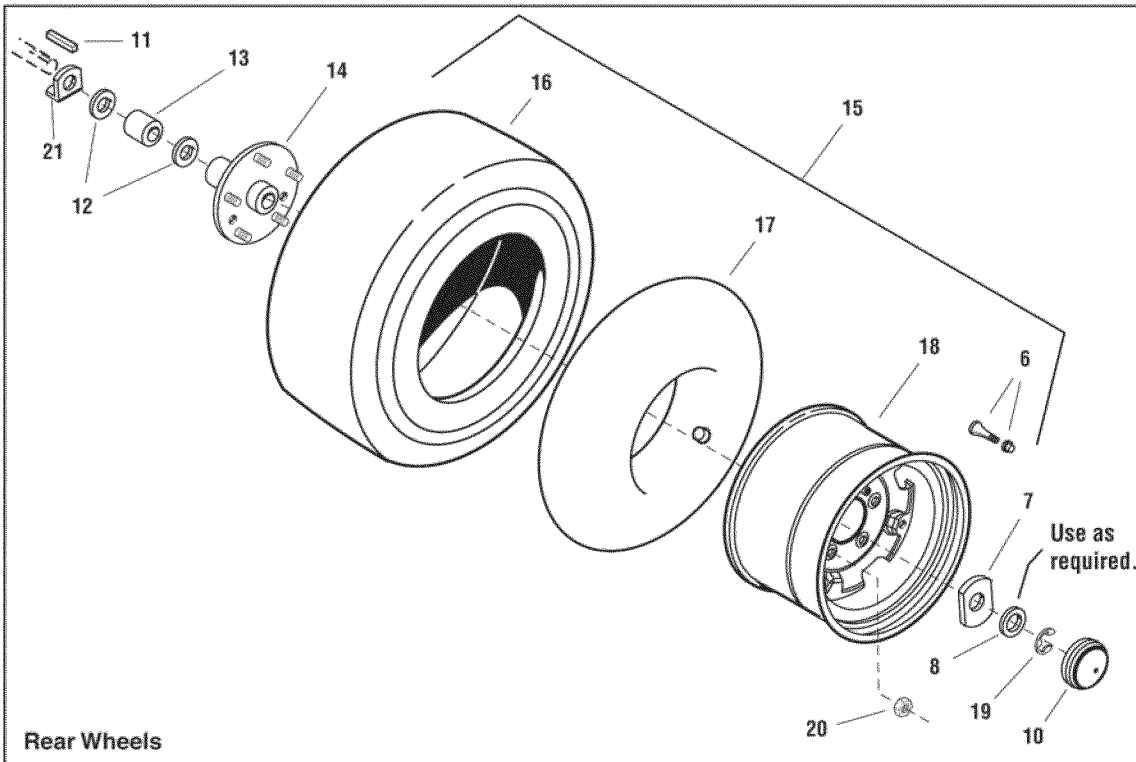
REF NO	PART NO.	QTY.	DESCRIPTION
1	1927557SM	2	NUT, Hex Whiz Lock Flange, 5/16-18, Large, Black
2	1931333SM	4	BOLT, Carriage, 5/16-18 x 3/4
3	1722291SM	1	GRIP, Lift Lever
4	1723124SM	1	BUTTON, Red Nylon, for 1/4 Rod
5	1960674SM	1	NUT, Push
6	1723321SM	1	SPRING, Compression, Lift Lever
7	1721581SM	1	QUADRANT, Lift, Powdered Metal
8	1926149SM	2	CAPSCREW, Hex Head, 5/16-18 x 1, G8, Black
9	1721712ASM	1	LEVER ASSEMBLY, Lift
10	1960636SM	5	NUT, Hex KEPS, 5/16-18
11	1722482SM	1	ROD, Latch
12	1722112SM	1	LOCK, Lift, Powdered Metal
13	2156302SM	1	SPRING, Extension
14	5044609SM	1	SPACER, .52 X 1.00 X .38
15	1723795ASM	1	BAR, Lift, 9-7/8 Long
16	1919381SM	1	WASHER, 5/16, Black
17	1921160SM	1	CAPSCREW, Hex Head, 5/16-18 x 2-1/4
18	1722819SM	1	PIN, Flat Head Drilled, 1/2 x 2-1/8 Long
19	1960033SM	1	CLIP, Hair Pin, 2-9/16 Long
20	1727436ASM	1	SHAFT ASSEMBLY, Lift
21	1935255SM	1	NUT, Speed, 5/16-18, Lug
22	1675232SM	1	SPRING, Compression
23	1723499SM	1	RETAINER, Spring Flat
24	1722357SM	1	CAPSCREW, Hex Washer Head, 5/16-18 x 4-1/2

## Footnotes

NOTE: Unless noted otherwise,  
use the standard hardware torque  
specification chart.



**Front Wheels**



**Rear Wheels**



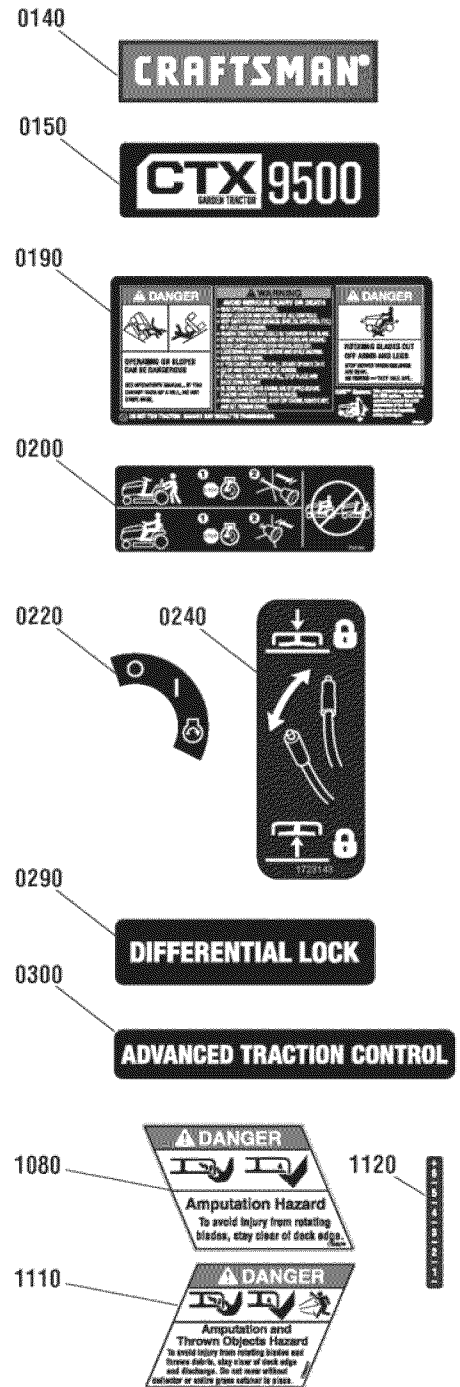
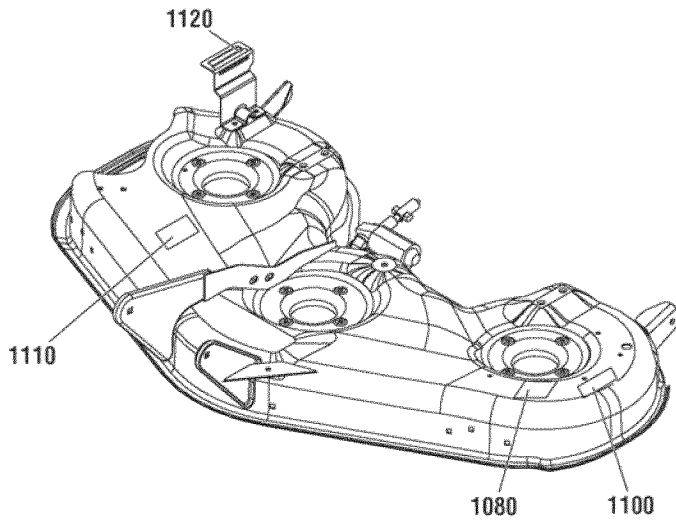
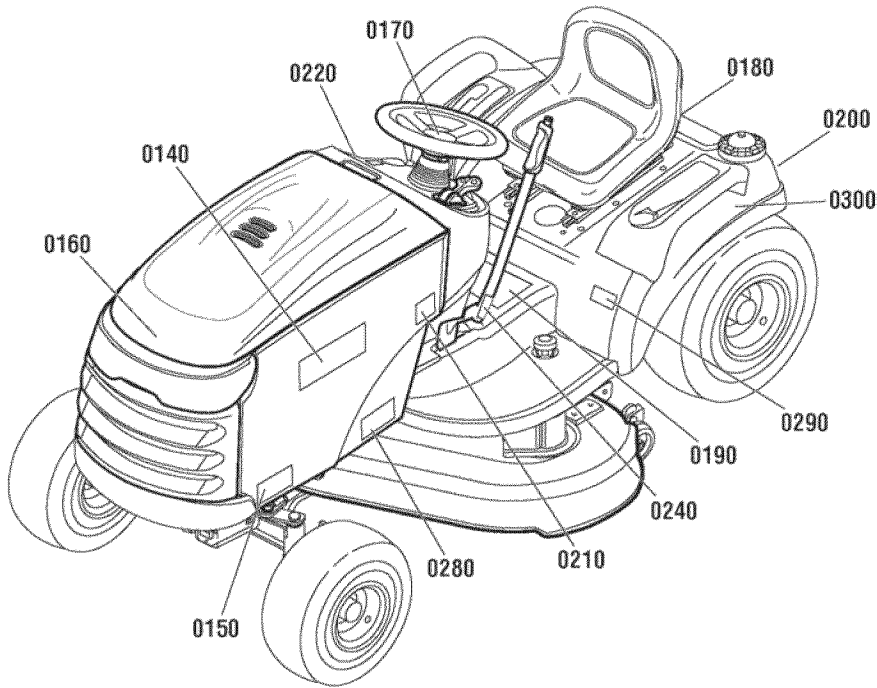
**Wheels & Tires Group**

CTX9500 - 107.250060

REF NO	PART NO.	QTY.	DESCRIPTION
1	1722305SM	2	WHEEL & TIRE ASSEMBLY, Front (Includes Ref. Nos. 2, 3, 4, 5 & 6)
2	1722833SM	2	TIRE, 16 x 6-1/2 - 8 Super Turf, Front
3	2164247SM	2	TUBE, Tire 16 x 6-1/2 - 8, Front
4	1717056SM	4	BEARING, Ball
5	-----	2	WHEEL, 5 3/8 x 7-15/16, Front
6	2172353SM	4	VALVE STEM & CAP ASSEMBLY
7	1722726SM	4	WASHER, Special, 1 x 2-1/2
8	1919394SM	4	WASHER
9	2832577SM	2	RING, Shaft
10	1722676SM	4	CAP, Hub Grey, 2-23/64
11	2105337SM	2	KEY, HI PRO, 1/4 x 2
12	2860200SM	2	WASHER
13	1723112SM	2	SPACER, 1-1/16 x 1-1/2 x 1-23/32, Black
14	1721400SM	2	PLATE & HUB ASSEMBLY, Rear Wheel w/Studs
15	1738096YP	2	WHEEL & TIRE ASSEMBLY, Rear 23" (Includes Ref. Nos. 6, 16, 17 & 18)
16	1722830SM	2	TIRE, 23 x 10-1/2 - 12 Super Turf, Rear
17	2157638SM	2	TUBE, Tire 23 x 10-1/2 - 12, Rear
18	-----	2	WHEEL, 7 x 12, Rear
19	2834712SM	2	RING, Shaft
20	2177725SM	10	NUT, Hex 7/16-20, For Wheel Bolt
21	1737043AYP	2	BRACKET, Washer Axle

**Footnotes**

NOTE: Unless noted otherwise, use the standard hardware torque specification chart.



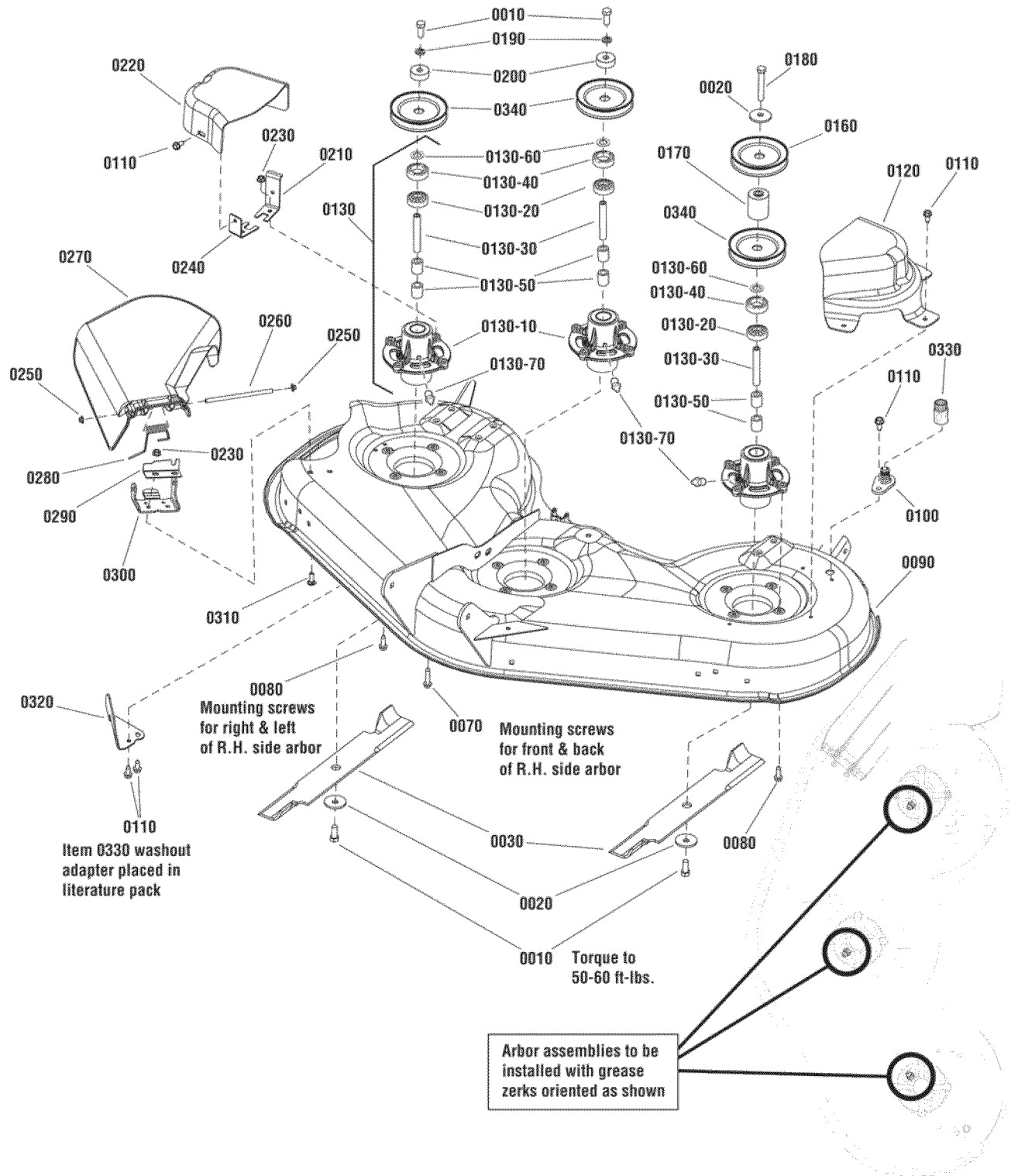
**Decal Group**

CTX9500 - 107.250060

<b>REF NO</b>	<b>PART NO.</b>	<b>QTY.</b>	<b>DESCRIPTION</b>
0140	7103145YP	2	DECAL, Craftsman
0150	1753771YP	2	DECAL, MODEL CTX9500 Craftsman
0170	1753767YP	1	DECAL, Icon "C" Chevron Craftsman
0180	1753765YP	1	DECAL, Craftsman, Rear Seat
0190	1726923SM	1	DECAL, Tunnel Cover Danger Slopes, Blades
0200	1723160SM	1	DECAL, Transmission Release Valve
0210	1753783YP	1	DECAL, 22HP Sears Service Parts
0220	1722806SM	1	DECAL, Ignition Switch Symbols
0240	1723143YP	1	DECAL, Lift Lever Symbols
0280	1753772YP	2	DECAL, 26HP Craftsman
0290	1753955YP	1	DECAL, Differential Lock
0300	1753954YP	1	DECAL, Controlled Traction, Automatic
1080	1704276SM	1	DECAL, Danger Do Not Put Hands/Feet in Mower
1100	1753789YP	1	DECAL, Deck Width 52" Sears
1110	1704277SM	1	DECAL, Danger Do Not Operate without Deflector
1120	1721197SM	1	DECAL, 1 2 3 4 5 6, Height of Cut White/Black

**Footnotes**

NOTE: Unless noted otherwise, use the standard hardware torque specification chart.



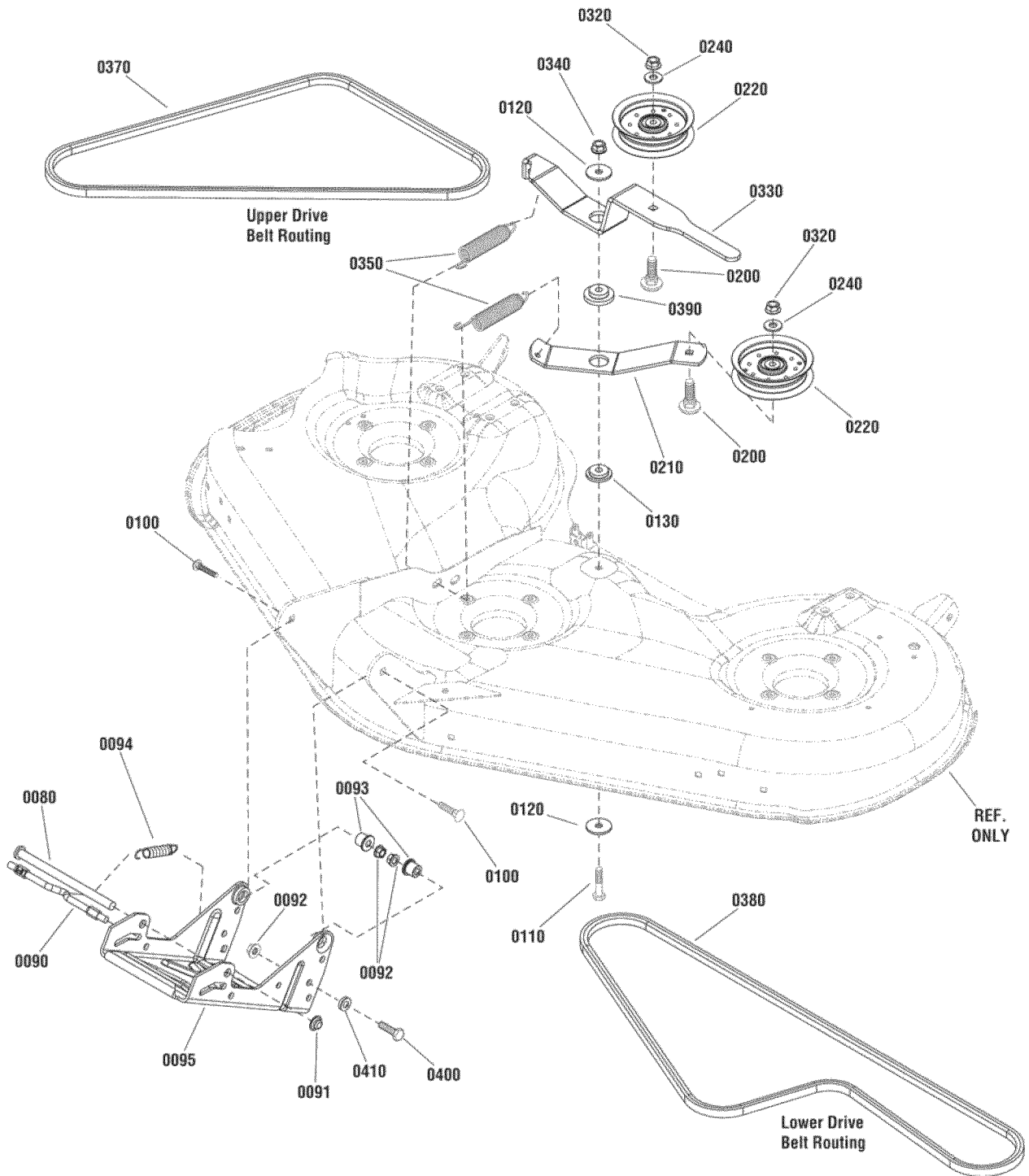
**52" Mower Deck - Housing, Arbors & Blades Group**

CTX9500 - 107.250060

REF NO	PART NO.	QTY.	DESCRIPTION
0010	1920676SM	5	CAPSCREW, Hex Head, 7/16-14 x 1, G5
0020	1656916SM	4	WASHER, Spring, 1-3/4 OD
0030	1737252AYP	3	BLADE, Mower, 18-1/2 Long
0070	1930600SM	2	CAPSCREW, Hex Washer Head, Taptite, 5/16-18 x 1-1/2
0080	1960373SM	10	CAPSCREW, Hex Washer Head, Taptite, 5/16-18 x 1
0090	1751883ZYP	1	HOUSING ASSEMBLY
0100	1735716YP	1	ADAPTER, Washout
0110	1664847SM	8	CAPSCREW, Hex Washer Head, Taptite, 5/16-18 x 3/4
0120	1736505YP	1	COVER, Belt, L.H.
0130	5405811YP	3	SPINDLE ASSEMBLY
0130-10	1737352YP	1	HOUSING, Spindle
0130-20	1735399YP	2	BEARING, Ball, 20mm
0130-30	1735326YP	1	SHAFT, Spindle
0130-40	1735323YP	2	SHIELD, Arbor, 2-1/16 OD
0130-50	1735328YP	2	SPACER, Bearing
0130-60	1960766YP	2	RING, Self Locking
0130-70	1704314SM	3	FITTING, Lubrication
0160	1735733YP	1	PULLEY, 5-1/2 OD
0170	1739567YP	1	SPACER, Pulley, 46" Mower
0180	1926110SM	1	CAPSCREW, Hex Head, 7/16-14 x 2-3/4, G5
0190	1918199SM	2	LOCKWSHER, Spring, 7/16
0200	1735579YP	2	SPACER, Lower Drive
0210	1736519AYP	1	BRACKET, Belt, Cover, Rear
0220	1735752YP	1	COVER, Belt, R.H.
0230	1931277SM	4	NUT, Whix Lock, 5/16-18
0240	1736518AYP	1	BRACKET, Belt, Cover, Front
0250	7012542YP	2	PUSHNUT, 5/16
0260	1736366YP	1	ROD, Deflector
0270	1735447YP	1	DEFLECTOR, Discharge
0280	1736364YP	1	SPRING, Torsion, Deflector, 2.16 Long
0290	1737359BMYP	1	PLATE, Deflector, Close Off
0300	1737418AYP	1	HINGE, Deflector
0310	1931334SM	2	BOLT, Carriage, 5/16-18 x 7/8, G5
0320	1737279AYP	1	BAFFLE
0330	1736898YP	1	WASHOUT PORT, Connector
0340	1735686YP	3	PULLEY, Split, 4.6 OD

**Footnotes**

NOTE: Unless noted otherwise,  
use the standard hardware torque  
specification chart.



**52" Mower Deck - Clutch & Support Group**

CTX9500 - 107.250060

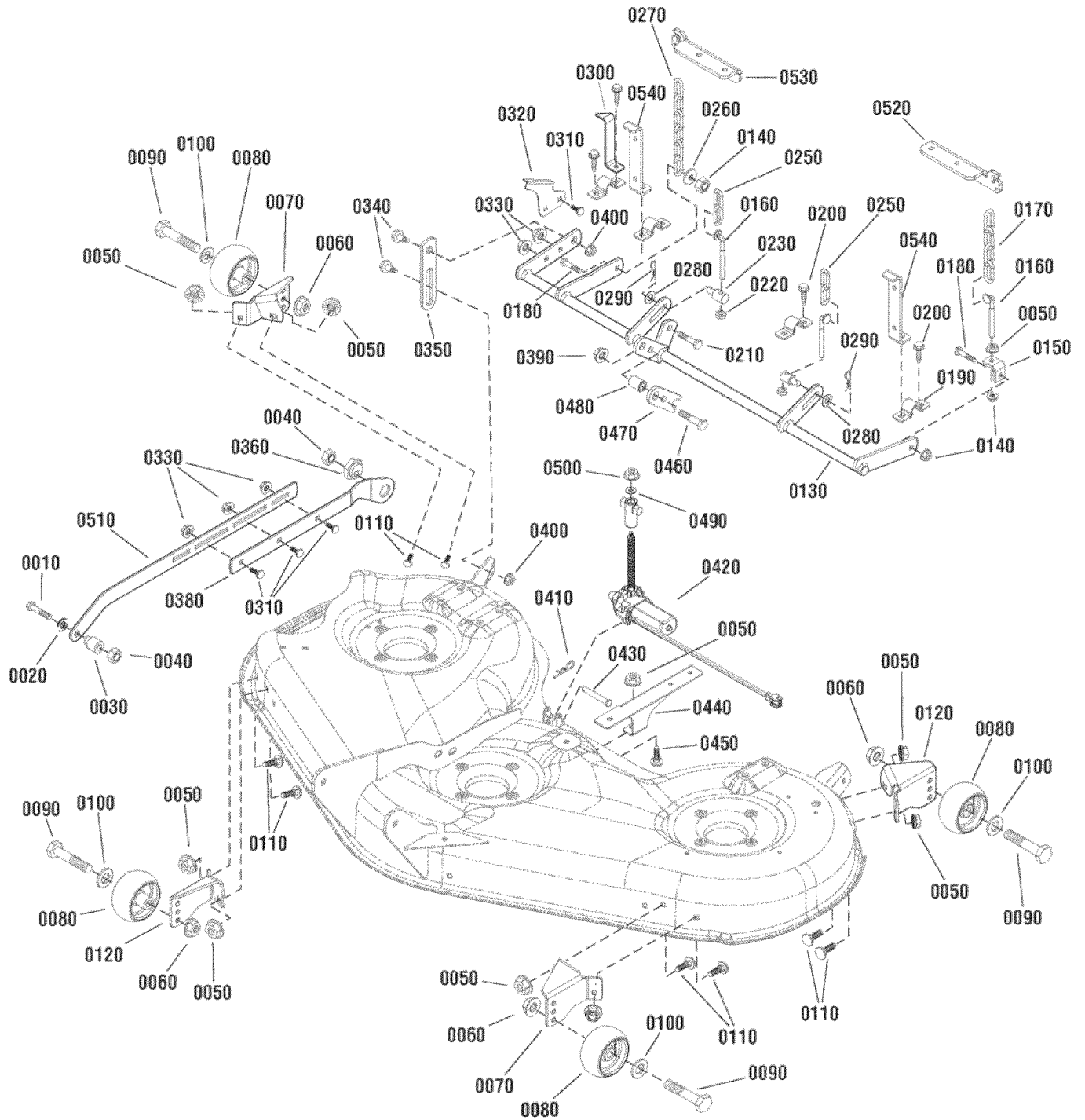
REF NO	PART NO.	QTY.	DESCRIPTION
0080	1713578SM	1	ROD, 1/2 Dia. x 7-5/8
0090	1715759SM	1	ROD, 3/8 Dia. x 8
0091	1960519SM	1	PUSHNUT, 1/2
0092	1960687SM	3	NUT, Hex Flange, 3/8-16
0093	1732443SM	2	SPACER, 3/4 OD x 3/4 Long
0094	2156302SM	1	SPRING, Extension, 4-1/8
0095	1738040AYP	1	HITCH, Mower
0100	7091945YP	2	BOLT, Carriage, , 3/8C X1-1/2 GR5 YZ
0110	1921971SM	1	CAPSCREW, Hex Head, 3/8-16 x 1-3/4, G5
0120	1924356SM	2	WASHER, 3/8, 1/2 OD
0130	1714255SM	1	SPACER, 1-1/2 OD
0200	7091810SM	2	USE - 91810 BOLT, Carriage, 3/8C X1-3/4, G5
0210	1735321AYP	1	ARM, Idler, Lower
0220	1736540YP	2	PULLEY, Idler, 46 & 52" Mowers
0240	7091528SM	2	WASHER, Flat, 3/8 x .875
0320	7091619SM	2	NUT, Whiz, 3/8
0330	1739585AYP	1	ARM, Idler, Upper
0340	1930645SM	1	NUT, Hex Flange, Two Way Locking, 3/8-16
0350	1715772SM	2	SPRING, Extension, 5-1/4
0370	1751423YP	1	V-BELT, HA, 68.10
0380	1665450SM	1	V-BELT, HA, 87.20
0390	1739594YP	1	SPACER, 1-3/4 OD
0400	5025013X8SM	1	BOLT, 3/8-16 x 1, G5
0410	5044960SM	1	SPACER, 3/8 x 1 x 1/4

Footnotes

# 52" Mower Deck - Height Adjust Group

CTX9500 - 107.250060

NOTE: Unless noted otherwise,  
use the standard hardware torque  
specification chart.





## 52" Mower Deck - Height Adjust Group

CTX9500 - 107.250060

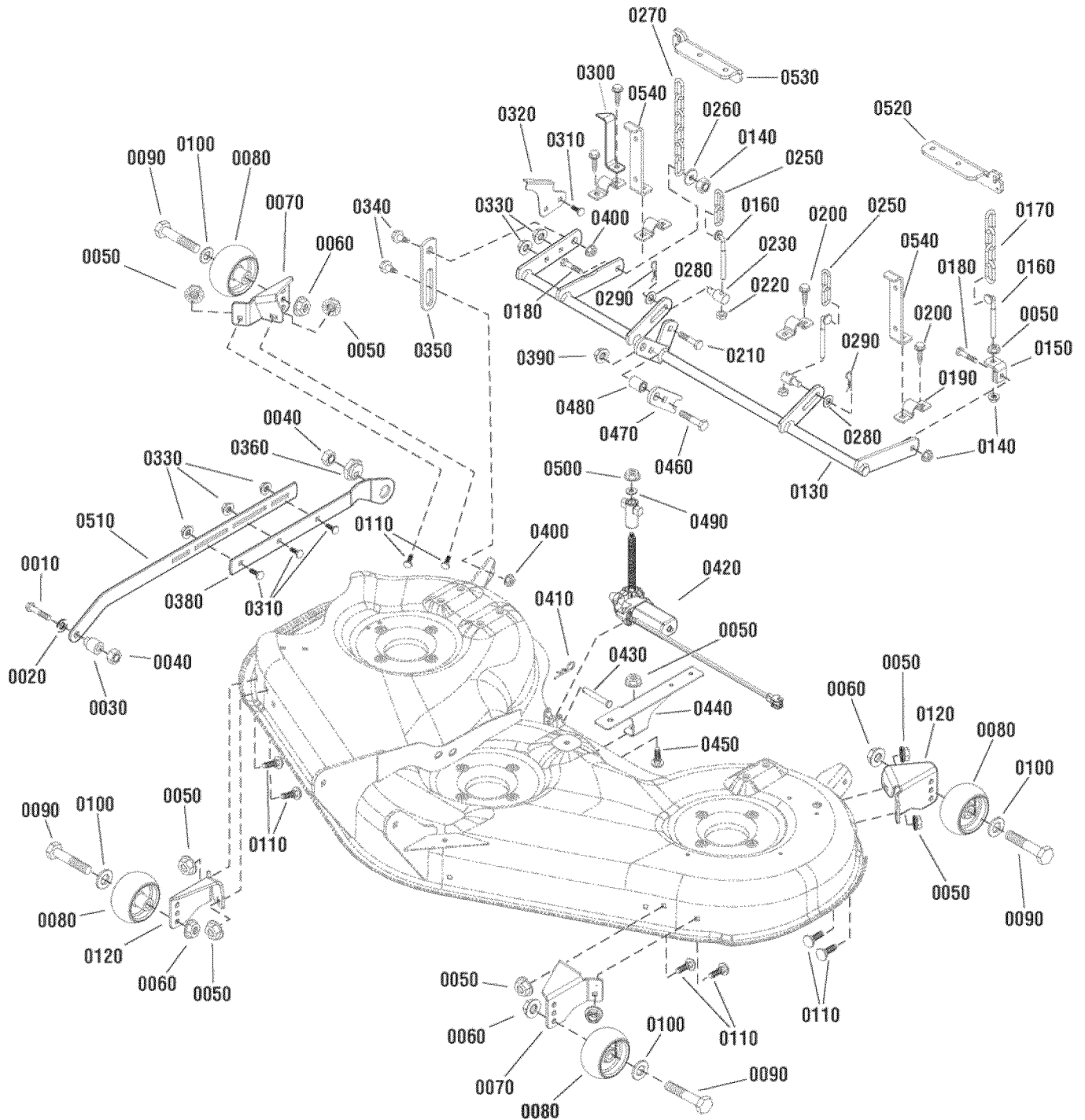
REF NO	PART NO.	QTY.	DESCRIPTION
0010	7091553YP	1	CAPSCREW, 3/8 x 1-3/4 G5
0020	5025156SM	1	WASHER, 3/8
0030	1706644SM	1	SPACER, 3/8 x 3/4 x 15/16
0040	2860681SM	2	NUT, Hex Flange Toplock, 3/8-16
0050	1931277SM	10	NUT, Hex Flange Whiz Lock, 5/16-18
0060	1960687SM	4	NUT, Hex Flange, 3/8-16, ESNA
0070	1736074AYP	2	BRACKET, Gauge Wheel, R.H.
0080	1714760SM	4	WHEEL, 2" Wide, 3-7/8 Dia.
0090	2108765SM	4	BOLT, Wheel, 3/8-16 x 2-25/32 x 3/4 TH
0100	1960170SM	4	WASHER, 1/2 x 1 OD
0110	1931334SM	8	BOLT, Carriage, 5/16-18 x 7/8, G5
0120	1736075AYP	2	BRACKET, Gauge Wheel, L.H.
0130	1751797AYP	1	SHAFT, Rocker 52" Frame Hung
0140	1960686SM	3	NUT, Hex Flange, 5/16-18, ESNA
0150	1751826AYP	1	BRACKET, Frame Mount
0160	7028728SM	3	ADJUSTER, Chain
0170	1708088ASM	1	CHAIN, 4 Links, 1/4 Dia. x 6-5/64 Long
0180	7091928SM	2	BOLT, Carriage, 5/16 x 1-1/4, G5
0190	1665374SM	4	STRAP, Rocker Shaft
0200	1664847SM	8	SCREW, Hex Washer Head, Taptite, 5/16-18 x 3/4
0210	1960268SM	1	BOLT, Carriage, 3/8-16 x 1-1/4, G5
0220	7091493YP	2	NUT, Hex Jam, 5/16
0230	1731382SM	2	TRUNNION, 1-11/32 LG
0250	1731383ASM	2	CHAIN, 2 Link, 2-13/16 LG
0260	1919381SM	1	WASHER, 5/16 x 1 OD
0270	1708266ASM	1	CHAIN, 6 Link, 8-13/32 LG
0280	1960103SM	2	WASHER, 3/8 x 3/4 OD
0290	1960074SM	4	CLIP, Hair Pin 1-5/8
0300	1751880AYP	1	BRACKET, HOC
0310	7090001YP	5	BOLT, Carriage, 5/16 x 3/4, G5
0320	1751846AYP	1	BRACKET, HOC
0330	015X79MA	5	NUT, Hex Flange, SER, 5/16-18
0340	1737409YP	2	BOLT, Shoulder, 1/4
0350	1751799AYP	2	BAR, Upright
0360	1727381SM	1	NUT, Hex Adjusting, .990 Dia. 17/32 TH
0380	1739691AYP	1	ARM, Pitch Adjustment, Front
0390	7091619SM	1	NUT, Hex Flange Locking, 3/8
0400	1930644SM	2	NUT, Hex Flange, Two Way Locking, 1/2-13
0410	1960221SM	1	CLIP, Hairpin, 1-5/16 LG
0420	1738294YP	1	MOTOR, Linear Actuator, Deck Lift
0430	1668344SM	1	PIN, Shear, 1-3/4 LG
0440	1737011AYP	1	SUPPORT, Rocker Shaft, 52"
0450	1931333SM	1	BOLT, Carriage, 5/16-18 x 3/4, G5
0460	7091810SM	1	BOLT, Carriage, 3/8 x 1-3/4 G5
0470	1751801AYP	1	ARM, Mount, EHOC, 3/4

## Footnotes

# 52" Mower Deck - Height Adjust Group

CTX9500 - 107.250060

NOTE: Unless noted otherwise,  
use the standard hardware torque  
specification chart.



**52" Mower Deck - Height Adjust Group**

CTX9500 - 107.250060

REF NO	PART NO.	QTY.	DESCRIPTION
0480	7014334YP	1	SPACER, 5/8 OD x 13/16 L
0490	1921319SM	1	WASHER, 1/4 x 5/8 OD
0500	1960757SM	1	NUT, Hex, LH Thread, 1/4-20
0510	1739554AYP	1	ARM, Pitch Adjustment
0520	1727103ASM	1	HANGER, L.H.
0530	1727102ASM	1	HANGER, R.H.
0540	1737219AYP	2	UPSTOP, Rear

Footnotes

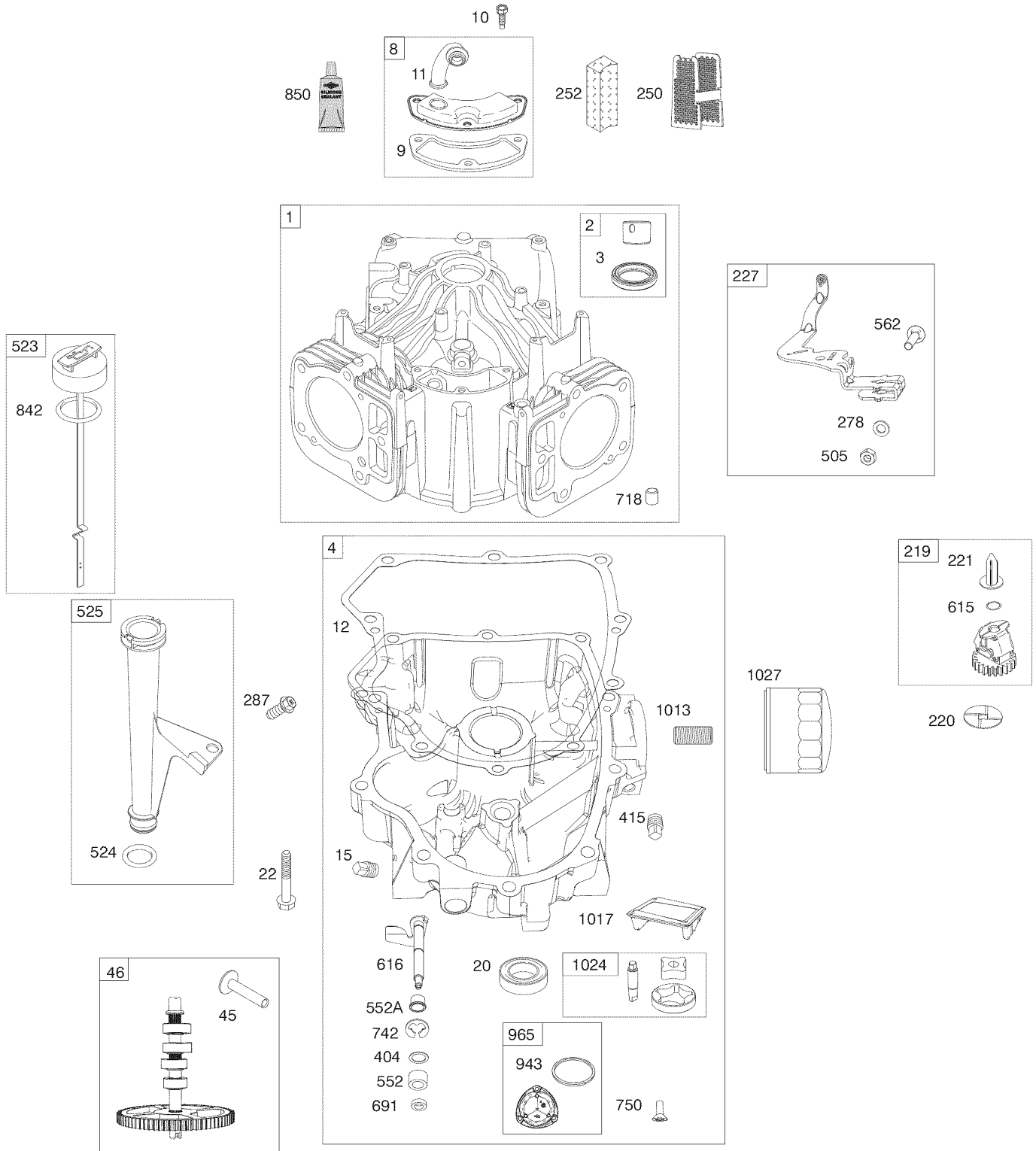
# 44P777-0184-G5

48 SHORT BLOCK

1058 OPERATOR'S MANUAL

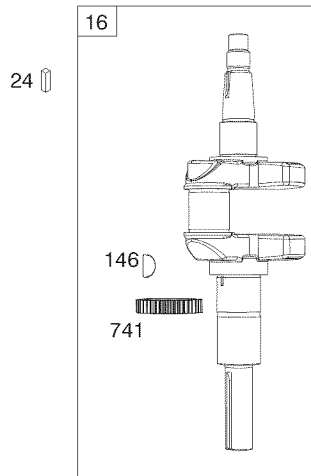
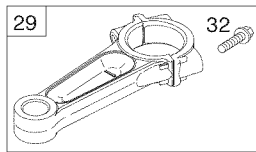
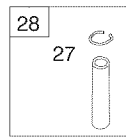
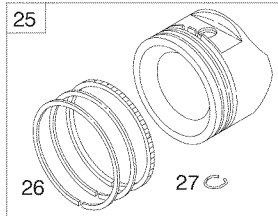
1329 REPLACEMENT ENGINE

1330 REPAIR MANUAL



# 44P777-0184-G5

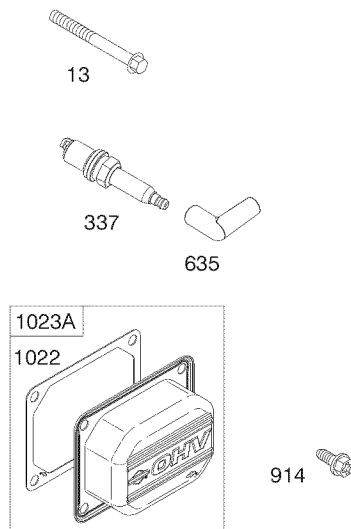
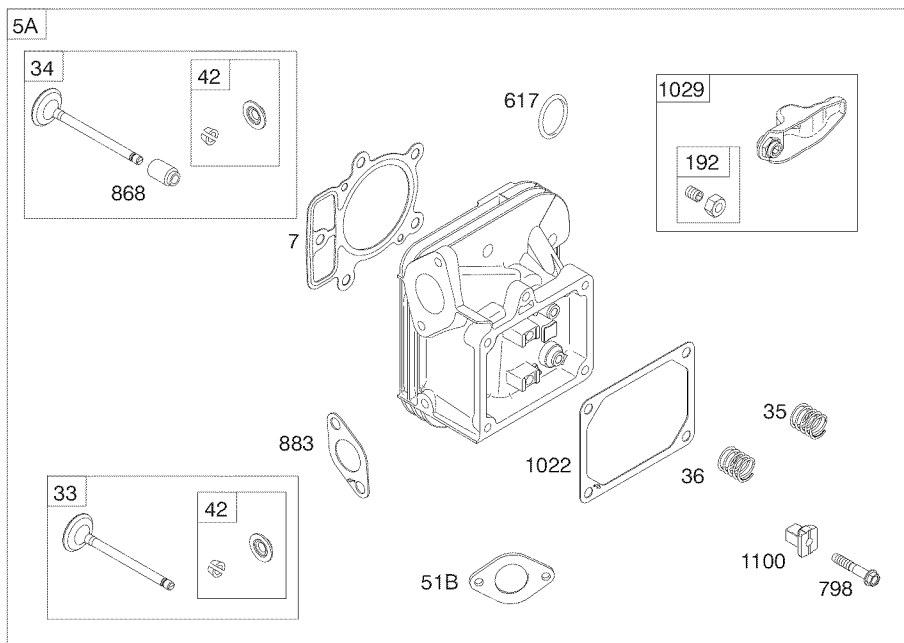
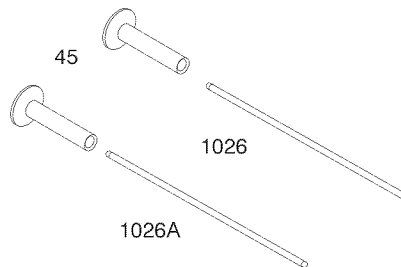
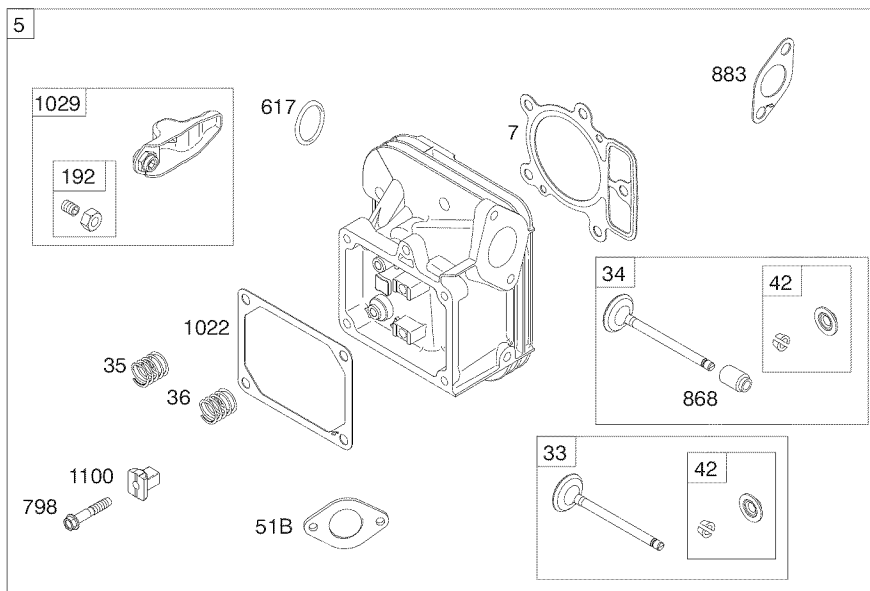
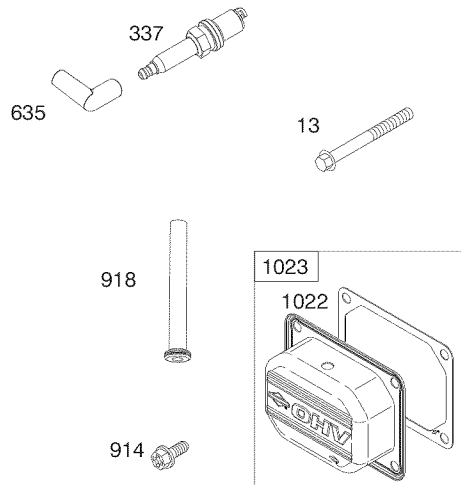
REF. NO.	PART NO.	DESCRIPTION	REF. NO.	PART NO.	DESCRIPTION	REF. NO.	PART NO.	DESCRIPTION
1	793564	Cylinder Assembly	227	798856	Lever-	615	698290	Retainer-
2	797673	Kit-Bushing/Seal (Magneto Side)			Governor Control			Governor Shaft
3	391086s	Seal-Oil (Magneto Side)	250	690957	Retainer-Breather	616	691045	Crank-Governor
4	796307	Sump-Engine	252	794389	Collector-Oil	691	790574	Seal-Governor Shaft
8	792185	Breather Assembly	278	792651	Washer (Governor Control Lever)	718	690959	Pin-Locating
9	690937	Gasket-Breather	287	697820	Screw (Dipstick Tube)	742	690328	Retainer-E Ring
10	691108	Screw (Breather Assembly)	404	690442	Washer (Governor Crank)	750	796208	Screw (Oil Pump Cover)
11	792184	Tube-Breather	415	794903	Plug	842	691031	Seal-O Ring (Dipstick)
12	697227	Gasket-Crankcase	505	691029	Nut (Governor Control Lever)	850	100106	Sealant-Liquid
15	690946	Plug-Oil Drain	523	691036	Dipstick	943	796222	Seal-O Ring (Oil Pump Cover)
20	795387	Seal-Oil (PTO Side)	524	691032	Seal-Dipstick Tube	965	796221	Cover-Oil Pump
22	694966	Screw (Crankcase Cover/ Sump)	525	691037	Tube-Dipstick	1013	690954	Nipple-Oil Filter
45	690977	Tappet-Valve	552	796638	Bushing- Governor Crank	1017	796214	Screen-Oil Pump
46	796853	Camshaft	552A	690553	Bushing- Governor Crank	1024	796220	Pump-Oil
48	797093	Short Block	562	690311	Bolt (Governor Control Lever)	1027	795890	Filter-Oil
219	793338	Gear-Governor				1058	278776TRI	Operator's Manual
220	799772	Washer (Governor Gear)				1329	44Q777-3047-G5	Replacement Engine
221	841026	Cup-Governor				1330	273521	Repair Manual



# 44P777-0184-G5

REF. NO.	PART NO.	DESCRIPTION	REF. NO.	PART NO.	DESCRIPTION	REF. NO.	PART NO.	DESCRIPTION
16	796237	Crankshaft	26	793561	Ring Set (Standard)	27	690975	Lock-Piston Pin
24	222698s	Key-Flywheel (Aluminum)			----- <b>Note</b> -----	28	696581	Pin-Piston
25	793560	Piston Assembly (Standard)			792073 Ring Set (.020" Oversize)	29	796209	Rod-Connecting
		----- <b>Note</b> -----				32	690976	Screw (Connecting Rod)
		793563 Piston Assembly (.020" Oversize)				146	690979	Key-Timing
						741	690980	Gear-Timing

# 44P777-0184-G5





# 44P777-0184-G5

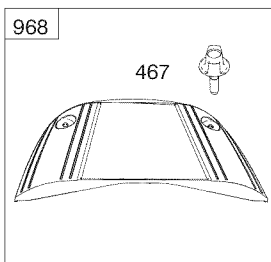
REF. NO.	PART NO.	DESCRIPTION	REF. NO.	PART NO.	DESCRIPTION	REF. NO.	PART NO.	DESCRIPTION
5	799088	Head-Cylinder (Cylinder 1)	192	690083	Adjuster-Rocker Arm	1022	690971	Gasket-Rocker Cover
5A	799089	Head-Cylinder (Cylinder 2)	337	792015	Plug-Spark	1023	793146	Cover-Rocker (Cylinder 1)
7	693997	Gasket-Cylinder Head	617	697891	Seal-O Ring (Intake Manifold)	1023A	499600	Cover-Rocker (Cylinder 2)
13	793988	Screw (Cylinder Head)	635	692076	Boot-Spark Plug	1026	690981	Rod-Push (Exhaust)
33	793557	Valve-Exhaust	798	697890	Screw (Rocker Arm)			(Steel)
34	793556	Valve-Intake	850	100106	Sealant-Liquid	1026A	690982	Rod-Push (Intake)
35	694865	Spring-Valve (Intake)	868	690968	Seal-Valve			(Aluminum)
36	694865	Spring-Valve (Exhaust)	883	690970	Gasket-Exhaust	1029	690972	Arm-Rocker
42	499586	Keeper-Valve	914	691127	Screw (Rocker Cover)	1100	791959	Pivot-Rocker Arm
45	690977	Tappet-Valve	918	797408	Hose-Vacuum (Rocker Cover)			
51B	690949	Gasket-Intake						



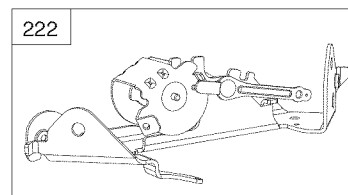
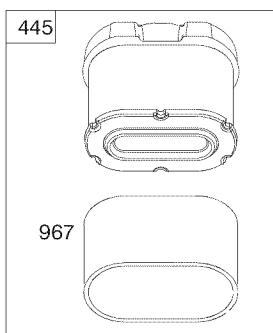
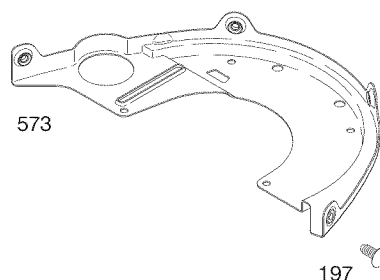
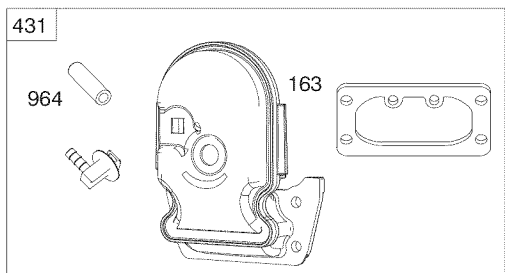
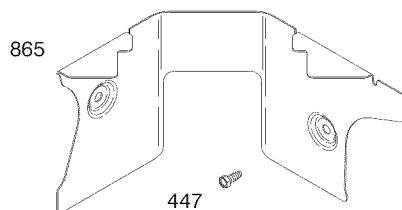
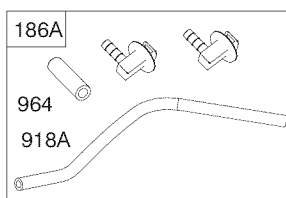
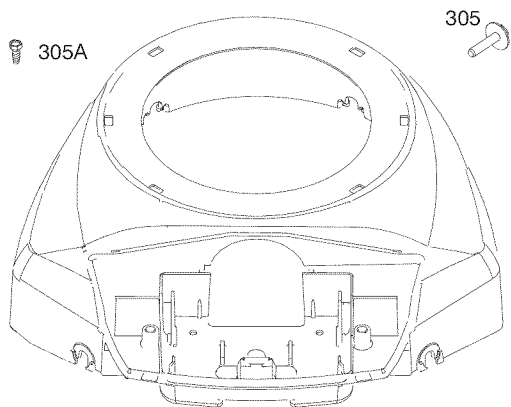
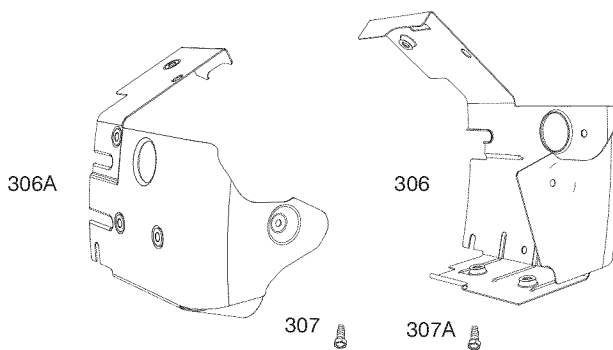
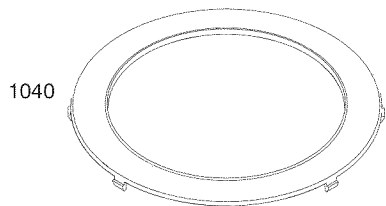
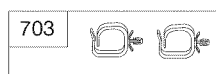
# 44P777-0184-G5

REF. NO.	PART NO.	DESCRIPTION	REF. NO.	PART NO.	DESCRIPTION	REF. NO.	PART NO.	DESCRIPTION
50	695241	Manifold-Intake	187	791766	Line-Fuel (Cut to Required Length)	654	690958	Nut (Carburetor)
51	795123	Gasket-Intake				672	690234	Gasket- Carburetor Plate
51A	690950	Gasket-Intake	212	695238	Link-Throttle	789A	796914	Harness-Wiring
53	690951	Stud (Carburetor)	217	799771	Spring- Choke Return	918	797408	Hose-Vacuum (Rocker Cover)
54	699816	Screw (Intake Manifold)	231	690718	Screw (Choke Valve)	929	695239	Screw (Choke Control Bracket)
95	690718	Screw (Throttle Valve)	240	695666	Filter-Fuel	947	798779	Solenoid-Fuel
98	699721	Kit-Idle Speed	276	695410	Washer-Sealing	975	798778	Bowl-Float
104	694918	Pin-Float Hinge	318	792629	Screw (Mounting Bracket)	987	691000	Seal-Throttle Shaft
105	797410	Valve-Float Needle				1054	280275	Tie-Cable
108	699723	Valve-Choke	385	797409	Screw (Fuel Pump)	1124	841653	Seal-O Ring (Fuel Transfer Tube)
117	842585	Jet-Main (Standard)	387	808656	Pump-Fuel	1124A	690988	Seal-O Ring (Fuel Transfer Tube)
118	791502	Jet-Main (High Altitude) (Left and Right Jet)	415	794903	Plug	1126	690991	Screw (Fuel Transfer Tube)
125	796997	Carburetor	418	795912	Plate-Carburetor	1127	695407	Screw (Float Bowl)
130	690993	Valve-Throttle	601	691038	Clamp-Hose (Black)	1128	690990	Screw (Carburetor Nozzle)
131	499805	Kit-Throttle Shaft	617	697891	Seal-O Ring (Intake Manifold)	1169	690990	Screw (Carburetor Cover Plate)
133	699724	Float-Carburetor				1439	690365	Screw (Thermistor Wire Assembly)
135	699729	Tube-Fuel Transfer	633	699813	Seal- Choke/Throttle Shaft (Choke Shaft)			
137	690994	Gasket-Float Bowl	634	698779	Spring/Seal Assembly			
141	796228	Kit-Choke Shaft	640	796913	Wire Assembly- Thermistor			
142	699726	Nozzle-Carburetor						
150	690995	Gasket-Nozzle						
163	691001	Gasket-Air Cleaner						
186B	795985	Connector-Hose (Intake Manifold)						

# 44P777-0184-G5



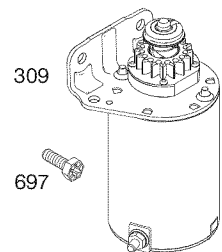
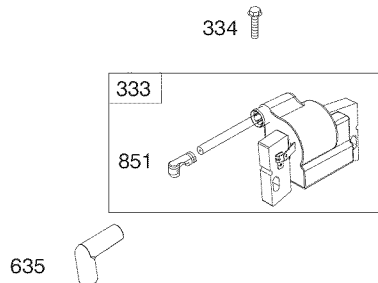
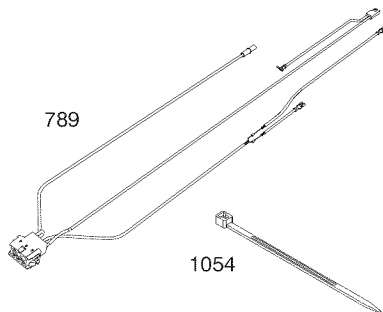
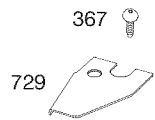
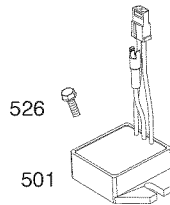
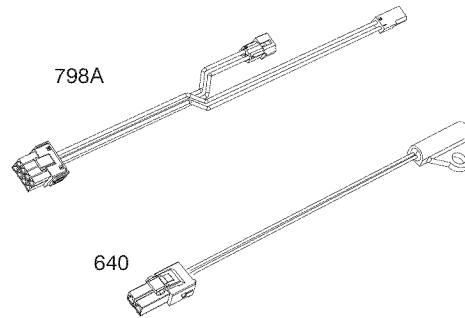
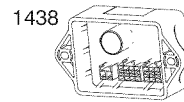
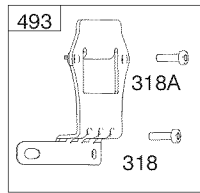
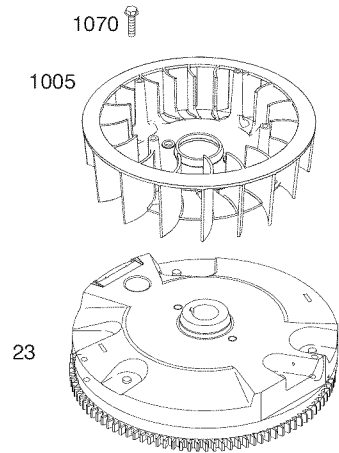
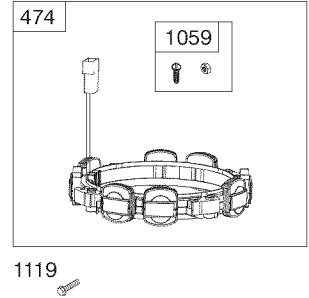
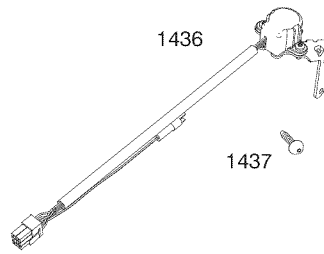
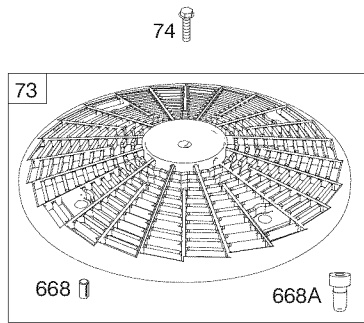
1036 EMISSIONS LABEL



# 44P777-0184-G5

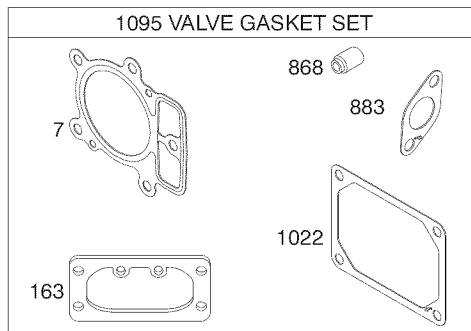
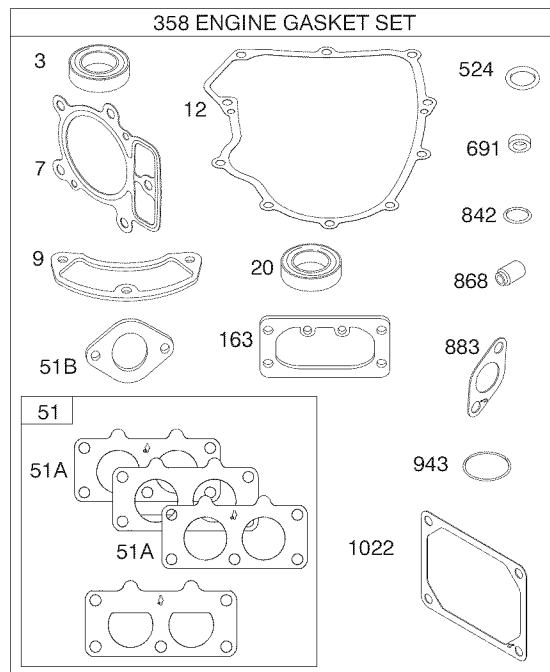
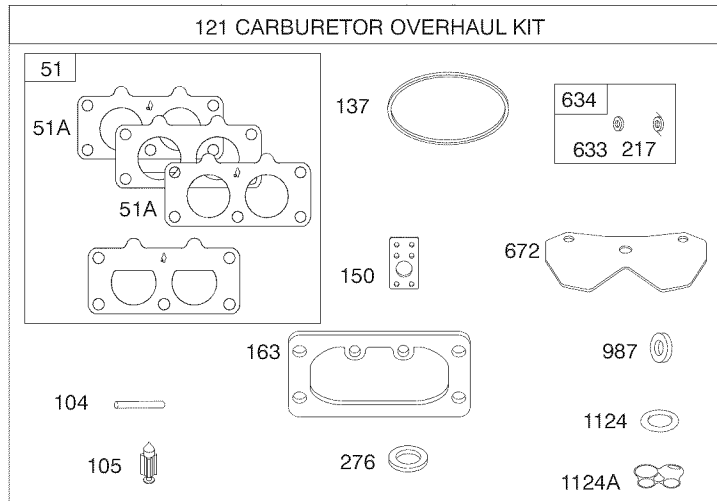
REF. NO.	PART NO.	DESCRIPTION	REF. NO.	PART NO.	DESCRIPTION	REF. NO.	PART NO.	DESCRIPTION
163	691001	Gasket-Air Cleaner	305	691005	Screw (Blower Housing) (1/4-20x.68)	447	691003	Screw (Air Guide Cover)
186A	799158	Connector-Hose (EVAP System)	305A	790690	Screw (Blower Housing to Intake Elbow)	467	790697	Knob-Air Cleaner
188	691108	Screw (Control Bracket)	306	798855	Shield-Cylinder (Cylinder 2)	573	790444	Plate-Back
197	697820	Screw (Back Plate)	306A	796852	Shield-Cylinder (Cylinder 1)	703	691010	Clip
209	798921	Spring-Governor (Orange)	307	691108	Screw (Cylinder Shield) (1/4-20x.66)	865	792286	Cover-Air Guide (Valley)
211	691019	Spring-Governed Idle (No Color)	307A	691003	Screw (Cylinder Shield) (10-24x.43)	918A	799160	Hose-Vacuum (EVAP System)
216	796879	Link-Choke	431	798860	Elbow-Intake	964	799159	Cap-Connector
222	798916	Bracket-Control	445	792105	Filter- Air Cleaner Cartridge	967	792303	Filter-Pre Cleaner
265	691024	Clamp-Casing				968	795120	Cover-Air Cleaner
267	792629	Screw (Casing Clamp)				1036		Label-Emissions (Available from a Briggs & Stratton Authorized Dealer)
304	799955	Housing-Blower				1040	791237	Plate-Trim

# 44P777-0184-G5



# 44P777-0184-G5

REF. NO.	PART NO.	DESCRIPTION	REF. NO.	PART NO.	DESCRIPTION	REF. NO.	PART NO.	DESCRIPTION
23	799090	Flywheel	474	696458	Alternator	1070	791680	Screw
73	494439	Screen-Rotating	493	797176	Bracket-Mounting			(Flywheel Fan)
74	698425	Screw (Rotating Screen)	501	797375	Regulator	1119	691183	Screw
75	691056	Washer (Flywheel)	526	691108	Screw (Regulator)	1436	796918	Motor-
309	590476	Motor-Starter	635	692076	Boot-Spark Plug			Stepper/Bracket
318	792629	Screw (Mounting Bracket)	668	691215	Spacer (Rotating Screen)	1437	695239	Screw
		(10-32x.70)	668A	691500	Spacer (Rotating Screen)			(Stepper/Bracket
318A	691127	Screw (Mounting Bracket)	697	791680	Screw (Drive Cap)	1438	796350s	Module-
332	691059	Nut (Flywheel)	729	797454	Clip-Wire			Electronic Choke
333	799651	Armature-Magneto	789	796860	Harness-Wiring	1439	690365	Screw
334	691061	Screw (Magneto Armature)	789A	796914	Harness-Wiring			(Thermistor
367	697820	Screw (Wire Clip)	851	493880s	Terminal-Spark Plug			Wire Assembly)
			1005	791236	Fan-Flywheel			
			1054	280275	Tie-Cable			
			1059	698516	Kit-Screw/Washer (Alternator)			





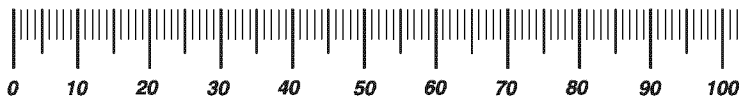
# 44P777-0184-G5

REF. NO.	PART NO.	DESCRIPTION	REF. NO.	PART NO.	DESCRIPTION	REF. NO.	PART NO.	DESCRIPTION
3	391086s	Seal-Oil (Magneto Side)	217	799771	Spring- Choke Return	987	691000	Seal-Throttle Shaft
7	693997	Gasket-Cylinder Head	276	695410	Washer-Sealing	1022	690971	Gasket-Rocker Cover
9	690937	Gasket-Breather	358	694012	Gasket Set-Engine	1095	694013	Gasket Set-Valve
12	697227	Gasket-Crankcase	524	691032	Seal-Dipstick Tube	1124	841653	Seal-O Ring (Fuel Transfer Tube)
20	795387	Seal-Oil (PTO Side)	633	699813	Seal- Choke/Throttle Shaft (Choke Shaft)	1124A	690988	Seal-O Ring (Fuel Transfer Tube)
51	795123	Gasket-Intake	634	698779	Spring/Seal Assembly			
51A	690950	Gasket-Intake	672	690234	Gasket- Carburetor Plate			
51B	690949	Gasket-Intake	691	790574	Seal-Governor Shaft			
121	797890	Kit- Carburetor Overhaul	842	691031	Seal-O Ring (Dipstick)			
104	694918	Pin-Float Hinge	868	690968	Seal-Valve			
105	797410	Valve-Float Needle	883	690970	Gasket-Exhaust			
137	690994	Gasket-Float Bowl	943	796222	Seal-O Ring (Oil Pump Cover)			
150	690995	Gasket-Nozzle						
163	691001	Gasket-Air Cleaner						

# Hardware Identification & Torque Specifications

Torque Specification Chart								
FOR STANDARD METRIC MACHINE HARDWARE (Tolerance ± 20%)								
Property Class	5.6		8.8		10.9		12.9	
	Class 5.6		Class 8.8		Class 10.9		Class 12.9	
Size Of Hardware	in/lbs		in/lbs		in/lbs		in/lbs	
	ft/lbs	Nm.	ft/lbs	Nm.	ft/lbs	Nm.	ft/lbs	Nm.
M3	5.88	.56	13.44	1.28	19.2	1.80	22.92	2.15
M4	13.44	1.28	30.72	2.90	43.44	4.10	52.56	4.95
M5	26.4	2.50	60.96	5.75	5.97	8.10	7.15	9.7
M6	44.64	4.3	7.3	9.9	10.3	14	12.1	16.5
M7	5.2	7.1	12.1	16.5	16.9	23	19.9	27
M8	7.7	10.5	17.7	24	25	34	29	40
M10	15	21	35	48	50	67	59	81
M12	26	36	61	83	86.2	117	103	140
M14	42	58	101	132	136	185	162	220
M16	64	88	147	200	210	285	250	340
M18	89	121	202	275	287	390	346	470
M20	126	171	290	390	405	550	486	660
M22	169	230	390	530	559	745	656	890
M24	217	295	497	375	708	960	840	1140
M27	320	435	733	995	1032	1400	1239	1680
M30	435	590	995	1350	1401	1900	1681	2280
M33	590	800	1349	1830	1902	2580	2278	3090
M36	759	1030	1740	2360	2441	3310	2935	3980
M39	988	1340	2249	3050	3163	4290	3798	5150

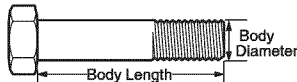
The guides and ruler furnished below are designed to help you select the appropriate hardware.



Nut, M8

Thread Diameter (mm)  
Inside Diameter (in)  
Threads per inch

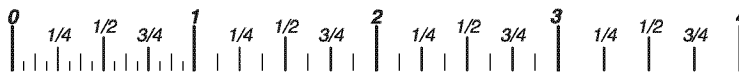
Nut, 1/2-16



Screw, M8- 1.25 x 25

Thread Diameter (mm)  
Body Diameter  
Distance between threads (mm)  
Threads per inch  
Body Length (mm)  
Body Length (in)

Screw, 1/2- 16 x 2



## Standard Hardware Sizing

When a washer or nut is identified as 1/2" (M8), this is the *Nominal size*, meaning the *inside diameter* is 1/2 inch (8mm metric thread diameter); If a second number is present it represents the *threads per inch* (distance between threads).

When bolt or capscrew is identified as 1/2 - 16 x 2" (M8 - 1.25 x 50 ), this means the *Nominal size*, or body diameter is 1/2 inch (8mm metric thread diameter), the second number, 16, represents the *threads per inch*, (1.25 thread diameter). The final number is the body length of the bolt or screw, 2 inches (50mm).

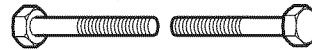
Torque Specification Chart						
FOR STANDARD METRIC MACHINE HARDWARE (Tolerance ± 20%)						
Hardware Grade	No Marks		SAE Grade 5		SAE Grade 8	
	SAE Grade 2		SAE Grade 5		SAE Grade 8	
Size Of Hardware	in/lbs		in/lbs		in/lbs	
	ft/lbs	Nm.	ft/lbs	Nm.	ft/lbs	Nm.
8-32	19	2.1	30	3.4	41	4.6
8-36	20	2.3	31	3.5	43	4.9
10-24	27	3.1	43	4.9	60	6.8
10-32	31	3.5	49	5.5	68	7.7
1/4-20	66	7.6	8	10.9	12	16.3
1/4-28	76	8.6	10	13.6	14	19.0
5/16-18	11	15.0	17	23.1	25	34.0
5/16-24	12	16.3	19	25.8	29	34.0
3/8-16	20	27.2	30	40.8	45	61.2
3/8-24	23	31.3	35	47.6	50	68.0
7/16-14	30	40.8	50	68.0	70	95.2
7/16-20	35	47.6	55	74.8	80	108.8
1/2-13	50	68.0	75	102.0	110	149.6
1/2-20	55	74.8	90	122.4	120	163.2
9/16-12	65	88.4	110	149.6	150	204.0
9/16-18	75	102.0	120	163.2	170	231.2
5/8-11	90	122.4	150	204.0	220	299.2
5/8-18	100	136	180	244.8	240	326.4
3/4-10	160	217.6	260	353.6	386	525.0
3/4-16	180	244.8	300	408.0	420	571.2
7/8-9	140	190.4	400	544.0	600	816.0
7/8-14	155	210.8	440	598.4	660	897.6
1-8	220	299.2	580	788.8	900	1,244.0
1-12	240	326.4	640	870.4	1,000	1,360.0

## NOTES

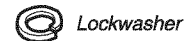
- These torque values are to be used for all hardware excluding: locknuts, self-tapping screws, thread forming screws, sheet metal screws and socket head setscrews.
- Recommended seating torque values for locknuts:
  - for prevailing torque locknuts - use 65% of grade5 torques.
  - for flange whizlock nuts and screws - use 135% of grade 5 torques.
- Unless otherwise noted on assembly drawings, all torque values must meet this specification.

## Common Hardware Types

Hex Head Capscrew

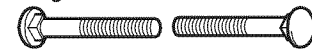


Washer



Lockwasher

Carriage Bolt



Hex Nut

## Wrench & Fastener Size Guide

1/4" Bolt or Nut Wrench—7/16"	5/16" Bolt or Nut Wrench—1/2"	3/8" Bolt or Nut Wrench—9/16"	7/16" Bolt or Nut Wrench (Bolt)—5/8" Wrench (Nut)—11/16"	1/2" Bolt or Nut Wrench—3/4"
M6 Bolt or Nut Wrench—10mm	M8 Bolt or Nut Wrench—13mm	M10 Bolt or Nut Wrench—17mm	M12 Bolt or Nut Wrench—19mm	M14 Bolt or Nut Wrench—22mm

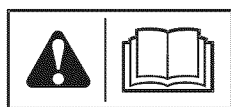
# Manual Del Dueño



## CTX 9500 Tractor de Jardín

Modelo N°

107.250060 (27HP brutos Briggs & Stratton con Cortacésped de 52 pulg.)



Para obtener respuestas a sus preguntas sobre este producto, llame al: **Línea de ayuda de Sears Craftsman 1-800-659-5917.**

Sears Brands Management Corporation, Hoffman Estates, IL 60179 EE. UU  
Visite nuestro sitio Web de Craftsman: [www.craftsman.com](http://www.craftsman.com)



# TABLA DE CONTENIDO

Tapa delantera .....	1
Seguridad del operador.....	4
Características y controles .....	10
Funcionamiento.....	14
Pruebas del sistema de interbloqueo de seguridad .....	14
Mantenimiento.....	19
Solución de problemas.....	30
Especificaciones .....	32
Garantía.....	33
Acuerdos de protección para reparaciones.....	34
Repuestos .....	PTS-1

**Gracias** por haber adquirido este cortacésped CRAFTSMAN de alta calidad. Le agradecemos la confianza que ha depositado en la marca CRAFTSMAN. Si usa y realiza el mantenimiento del equipo de conformidad con las instrucciones de este manual, su producto CRAFTSMAN le ofrecerá muchos años de funcionamiento fiable.

Este manual contiene información de seguridad para advertirle sobre los peligros y riesgos asociados con el cortacésped y cómo evitarlos. Este producto y sus accesorios aprobados están diseñados solamente para cortar césped o retirar nieve, y no tienen otra finalidad. Es importante que lea y comprenda estas instrucciones con detenimiento antes de proceder a arrancar o hacer funcionar este equipo. **Conserve estas instrucciones originales para consultarlas en el futuro.**

## Dónde encontrarnos

No tendrá que buscar mucho para encontrar el servicio y mantenimiento para su cortacésped CRAFTSMAN. Existen distribuidores de servicio técnico autorizados en todo el mundo que ofrecen un servicio de calidad. Puede ponerse en contacto con el Servicio al Cliente llamando al (800) 659-5917, o localizar un distribuidor en Internet en [www.craftsman.com](http://www.craftsman.com).

### Cortacésped

Número de modelo \_\_\_\_\_

Número de serie \_\_\_\_\_

### Motor

Corte del tipo de modelo \_\_\_\_\_

Fecha de código \_\_\_\_\_

Fecha de compra \_\_\_\_\_

# SEGURIDAD DEL OPERADOR

## Manejar el equipo con seguridad



Felicidades por haber adquirido un equipo de jardín y campo de alta calidad. Nuestros productos están diseñados y fabricados para cumplir o exceder todas las normas de seguridad del sector. El equipo electrónico solamente es seguro dependiendo de cómo lo utilice el operador. Si se utiliza de manera incorrecta o si no se lleva a cabo un mantenimiento correcto, ¡puede ser peligroso! Recuerde que usted es el responsable de su seguridad y de la de aquellos que le rodean.

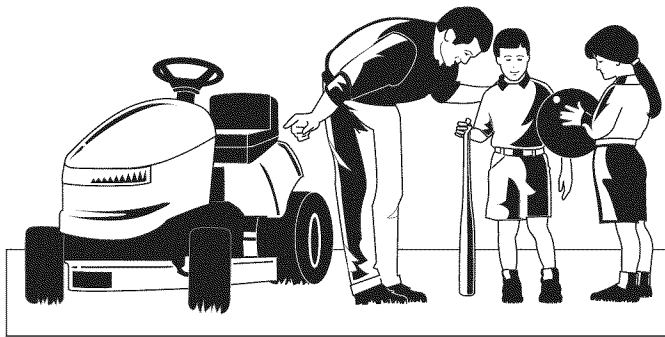
Utilice el sentido común, y piense con detenimiento lo que está haciendo. Si no está seguro de si la tarea que va a llevar a cabo se puede realizar con el equipo escogido de manera segura, pídale consejo a un profesional: o póngase en contacto con el distribuidor local.

## Lea el Manual

El manual del usuario contiene información de seguridad importante que necesita conocer ANTES de manejar su unidad y MIENTRAS la maneja.

En él se incluyen técnicas de seguridad sobre el funcionamiento, una explicación de las características y mandos del producto e información sobre el mantenimiento para ayudarle a obtener el máximo rendimiento a su equipo.

Asegúrese de leer toda la Información y las normas de seguridad que aparecen en las siguientes páginas. También debe leer completamente la sección de Funcionamiento.



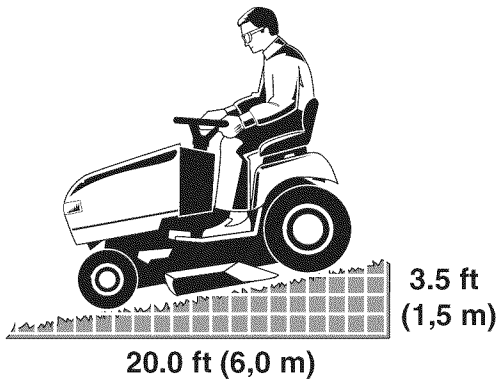
## Niños

Pueden producirse accidentes graves con niños. No les permita estar cerca del área de operación. Por lo general los niños se sienten atraídos por la unidad y por la actividad de cortar el césped. Nunca dé por supuesto que los niños se quedarán en el lugar donde los vio por última vez. Si hay riesgo de que los niños puedan entrar en la zona en la que está cortando el césped, haga que otro adulto los vigile. **¡NO PASEE A LOS NIÑOS EN ESTA UNIDAD!** Esto les anima a acercarse a la unidad en un futuro mientras está en funcionamiento, por lo que podrían resultar gravemente heridos. Se pueden acercar a la unidad para dar un paseo cuando usted no lo espere, y los puede atropellar.

## Marcha atrás

No siegue en sentido contrario al normal a menos que no sea absolutamente necesario. Mire siempre hacia abajo y hacia atrás antes y durante la marcha atrás, incluso cuando se hayan desacoplado las cuchillas del cortacésped.





## Funcionamiento en cuestas

Podría lesionarse gravemente o incluso matarse si utiliza esta unidad en cuestas demasiado pronunciadas. El uso de la unidad en una pendiente que sea demasiado pronunciada o donde no posea la tracción adecuada puede hacer que pierda el control o que vuelque.

Un buen consejo es no utilizar la máquina en ninguna pendiente sobre la que no pueda ir marcha atrás (en modo tracción a dos ruedas). No debe usar el tractor en terrenos con una inclinación superior a los 3,5 pies (1,5 metros) sobre una longitud de 20 pies (6 metros). Siempre conduzca subiendo y bajando pendientes: no de un lado a otro.

También tenga en cuenta que la superficie sobre la que está conduciendo puede afectar en gran medida a la estabilidad y al control. La hierba húmeda y el pavimento helado pueden afectar gravemente su capacidad de controlar la unidad.

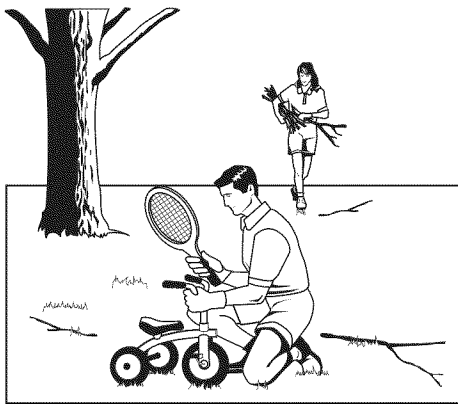
Si no está seguro sobre cómo manejar la unidad en una pendiente, no lo haga. No vale la pena arriesgarse.

## Piezas móviles

Este equipo tiene piezas móviles que le pueden causar daños a usted o a otras personas. Sin embargo, si usted se mantiene en la posición del operario, y sigue las instrucciones proporcionadas en este manual, esta unidad es segura.

La cubierta del cortacésped posee cuchillas en movimiento que pueden amputar manos y pies. No permita que nadie esté cerca del equipo mientras está en funcionamiento.

Para ayudarle a usted, el operario, a que utilice este equipo con seguridad, esta unidad está equipada con un sistema de seguridad que detecta la presencia del usuario. NO intente alterar ni modificar el sistema. Póngase en contacto con su distribuidor inmediatamente si el sistema no pasa todas las pruebas del sistema de interbloqueo de seguridad que aparecen en este manual.



## Objetos tirados

Esta unidad posee cuchillas en movimiento. Estas cuchillas pueden recoger y arrojar desechos que podrían lesionar gravemente a personas que se encuentren en la zona. Asegúrese de limpiar la zona que va a segar ANTES de comenzar.

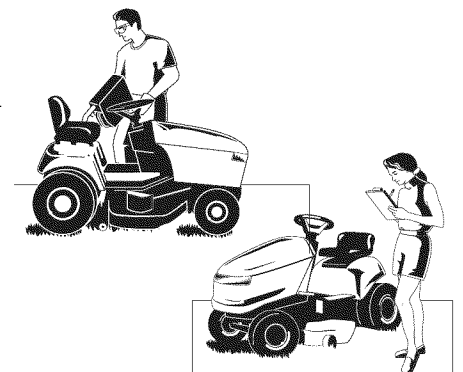
No ponga en funcionamiento esta unidad sin haber instalado el recogedor de hierba o la protección posterior (deflector).

Asimismo, ¡no permita que nadie permanezca en la zona en la que está manejando la unidad! Si alguien entrase en la zona, apague inmediatamente la unidad y espere a que se vaya.


## Combustible y mantenimiento

La gasolina es extremadamente inflamable. Sus vapores también son extremadamente inflamables y pueden alcanzar fuentes de ignición lejanas. La gasolina solamente se puede utilizar como combustible, no como disolvente o limpiador. Nunca debe guardarse en un lugar en el que sus vapores pueden alcanzar una fuente de ignición como una luz piloto. El combustible debe permanecer en una lata de combustible sellada o en un recipiente de plástico aprobado, o en el depósito de combustible del tractor con la tapa bien cerrada. El combustible derramado ha de limpiarse inmediatamente.

Un mantenimiento adecuado es importantísimo para la seguridad y rendimiento de su unidad. Asegúrese de realizar los procedimientos de mantenimiento que aparecen en este manual, en especial las comprobaciones regulares del sistema de seguridad.





Lea estas normas de seguridad y respételas estrictamente. El no respetar estas normas podría dar como resultado la pérdida del control de la unidad, lesiones personales graves o la muerte del usuario o de terceros que se encuentren cerca, o podría causar daños en la propiedad o en el equipo. **La cubierta del cortacésped puede llegar a amputar manos y pies y lanzar objetos.** En el texto, el triángulo  significa que debe seguir precauciones o advertencias importantes.

## FUNCIONAMIENTO GENERAL

1. Deberá leer, comprender y seguir todas las instrucciones que se contienen en el manual o en la propia unidad antes de empezar a utilizarla.
2. No coloque las manos o pies cerca de componentes giratorios ni debajo de la máquina. Manténgase lejos en todo momento de la apertura de descarga.
3. Únicamente adultos responsables que estén familiarizados con las instrucciones deberán hacer funcionar la unidad (la normativa local puede imponer restricciones relativas a la edad del operador).
4. Despeje la zona de objetos como son piedras, juguetes, cables, etc. Esos objetos podrían ser cogidos y lanzados por la(s) cuchilla(s).
5. Cerciórese de que no hay personas en la zona de operación antes de empezar a utilizar la unidad. Detenga la unidad si alguna persona entra en la zona de operación.
6. Nunca lleve en la unidad a nadie como pasajero.
7. No siga en sentido contrario al normal a menos que no sea absolutamente necesario. Mire siempre detrás y debajo antes de desplazarse hacia atrás y durante esa operación.
8. No realice la descarga en ningún caso apuntando hacia una persona en la operación. No realice la descarga del material contra una pared u otros elementos obstructivos. Los materiales pueden rebotar hacia el usuario. Detenga la(s) cuchillas cuando cruce sobre superficies con grava.
9. No haga funcionar la máquina sin que el recogedor de hierba, la protección posterior (deflector) y los demás dispositivos de seguridad estén en su lugar.
10. Reduzca antes de girar.
11. Nunca deje una unidad en funcionamiento sin vigilancia. Siempre se deberá desacoplar el PTO, poner el freno de estacionamiento, apagar el motor y retirar las llaves antes de proceder a desmontar la unidad.
12. Desacople las cuchillas (PTO) cuando no vaya a utilizar la unidad. Apague el motor y espere hasta la completa detención de todos los componentes antes de proceder a limpiar la máquina, retirar el recogedor de hierba o desbloquear la protección posterior.
13. Utilice la máquina sólo con la luz del día o con buena iluminación artificial.
14. No utilice la unidad mientras esté bajo los efectos del alcohol o de drogas.
15. Manténgase alerta ante el tráfico cuando se halle cerca de vías de comunicación o cruce por ellas.
16. Tenga especial cuidado cuando cargue o descargue la unidad de remolques o camiones.
17. Utilice siempre protecciones oculares cuando utilice la unidad.
18. Los datos indican que los operadores de 60 años o más están involucrados en gran parte de las lesiones relacionadas con equipos motorizados. Estos operadores deberán evaluar su capacidad de operar el equipo de manera lo suficientemente segura como para evitar lesiones, en ellos mismos o en terceros.
19. Siga las recomendaciones del fabricante sobre los pesos y contrapesos de las ruedas.
20. Tenga presente que el operador será el responsable de los accidentes que puedan sufrir otras personas o propiedades.
21. Quienes conduzcan la unidad deberán procurarse instrucción práctica profesional.
22. Deberán vestirse siempre calzado y pantalones robustos. Nunca utilice la unidad con los pies desnudos o calzando sandalias
23. antes de utilizar la unidad, siempre deberá comprobar visualmente que las cuchillas y los correspondientes mecanismos están en su sitio, intactos y bien firmes. Sustituya los componentes gastados o dañados.
24. Desacople los elementos anexos antes de realizar las siguientes acciones: llenar el depósito de combustible, retirar elementos anexos o realizar ajustes (a menos que el ajuste o ajustes puedan ser realizados desde la posición del operador).
25. Al estacionar, almacenar o dejar sin vigilancia la máquina, baje los elementos de corte, a menos que se utilice un cierre mecánico efectivo.
26. Antes de abandonar por cualquier causa la posición del operador, ponga el freno de estacionamiento (si se dispone de él), desacople el interruptor PTO, detenga el motor y saque la llave.
27. Para reducir el riesgo de incendio, mantenga la unidad libre de hierba, hojas o exceso de lubricantes. No detenga ni estacione la unidad sobre hojas o hierba secas, ni sobre materiales combustibles.

## TRANSPORTE Y ALMACENAMIENTO

1. Cuando transporte la unidad sobre un remolque abierto, cerciórese de está orientado hacia adelante, en la dirección del viaje. Si la unidad está orientada en el sentido contrario al de marcha, el empuje del viento podría dañarla.
2. Siga siempre prácticas seguras de repostaje y manipulación de combustible al cargar combustible en la unidad después del transporte o almacenaje.
3. No almacene la unidad (con combustible) en lugares cerrados de pobre ventilación. Los vapores del combustible pueden llegar hasta una fuente de ignición (hornos, calentadores de agua, etc.) y producir una explosión. El vapor del combustible también es tóxico para los humanos y los animales.
4. Siempre siga las instrucciones de manual del motor para preparaciones para almacenaje, antes de almacenar la unidad, tanto para periodos cortos como largos.
5. Siempre siga las instrucciones del manual de motor para procedimientos adecuados de arranque al colocar la unidad nuevamente en servicio.
6. No almacene nunca la unidad o el depósito de combustible en el interior de lugares en que haya llamas expuestas o luces piloto, como es el caso de un calentador de agua. Deje que la unidad se enfríe antes de proceder a su almacenamiento.



## FUNCIONAMIENTO EN PENDIENTES

Las pendientes son un factor de gran pérdida en los casos de pérdida de control y en los accidentes en los que vuelca el cortacésped, que pueden resultar en lesiones graves o incluso la muerte. La operación en todo tipo de pendientes requiere una precaución añadida. Si no puede ir hacia atrás sobre una pendiente con el cortacésped o no se siente seguro sobre la pendiente, no la utilice la unidad sobre ella.

El control de un tractor cortacésped que se deslice sobre una pendiente no se recuperará mediante la aplicación del freno. Las principales causas de pérdida del control son: insuficiente agarre de los neumáticos sobre el firme, el exceso de velocidad, la aplicación incorrecta del freno, la inadecuación del máquina para el uso concreto, la incorrecta percepción de las condiciones del piso, o el enganche o la distribución de cargas incorrectos.

1. Accione el cortacésped en pendientes, en subida y bajada y no a lo ancho.
2. Preste atención ante posibles hoyos, surcos o golpes. El terreno irregular podría hacer que la unidad vuelque. Högt gräs kan gömma hinder.
3. Escoja una velocidad de segado que le permita no tener que detenerse o cambiar la velocidad mientras esté recorriendo la pendiente.
4. No utilice el cortacésped sobre hierba húmeda. Los neumáticos podrían perder tracción.
5. Siempre mantenga la unidad con una marcha al bajar las pendientes. No ponga el punto muerto para bajar por pendientes.
6. Evite arrancar, detenerse, o girar sobre las pendientes. Si los neumáticos pierden tracción, desacople las cuchillas y continúe lentamente en línea recta hacia abajo.
7. Todo desplazamiento en pendientes deberá ser lento y gradual. No realice cambios repentinos en la velocidad o en la dirección; la máquina podría volcar.
8. Ponga la mayor atención cuando haga funcionar la máquina con recogedores de hierba u otros elementos acoplados; pueden afectar a la estabilidad de la unidad. No utilice la máquina en pendientes pronunciadas.
9. No intente estabilizar la máquina colocando su pie sobre el piso (en unidades en las que el conductor va montado sobre ellas).
10. No utilice el cortacésped cerca bajadas, zanjas o terraplenes. El cortacésped podría volcar si una rueda se sitúa sobre el borde de una zanja o risco, o si el borde cede.
11. No utilice recogedores de hierba en pendientes pronunciadas.
12. No realice la operación de segado en pendientes si no puede ir marcha atrás sobre ellas.
13. Consulte a su concesionario/vendedor autorizado para obtener recomendaciones sobre pesos y contrapesos para las ruedas para mejorar la estabilidad.
14. Retire obstáculos como son piedras, ramas de árboles, etc.
15. Opere a bajas velocidades. Los neumáticos pueden perder tracción en pendientes incluso si los frenos funcionan adecuadamente.
16. No realice giros en pendientes a menos que ello sea necesario, y, en ese caso, haga giros lentos y graduales, siempre pendiente abajo si ello es posible.
17. Modelos con tracción a las cuatro ruedas: La tracción a las cuatro ruedas mejora el acceso a terrenos con pendientes peligrosas que aumenta la posibilidad de vuelco. Si la máquina se detiene mientras sube una pendiente, detenga las cuchillas y retroceda lentamente. Evite realizar giros repentinos.

## EQUIPO REMOLCADO (UNIDADES MONTABLES)

1. Remolque solamente con una máquina que tenga un enganche diseñado para remolque. No sujete el equipo remolcado a elementos que no sean el punto de enganche.
2. Siga las recomendaciones del fabricante en cuanto a los límites de peso para equipos remolcados y remolque en pendientes.
3. No permita que que niños u otras personas se suban al equipo remolcado.
4. Sobre las pendientes, el peso del equipo remolcado puede causar pérdida de tracción y pérdida de control.
5. Vaya despacio y deje una distancia extra para poder parar.
6. No ponga el punto muerto para bajar por pendientes.

## ADVERTENCIA

Nunca opere en pendientes de más del 17,6% (10°); esos valores equivalen a un incremento vertical de 106 cm (3-1/2 pies) en un espacio horizontal de 607 cm (20 pies).

Cuando opere en pendientes utilice pesos y contrapesos adicionales para las ruedas. Consulte a su concesionario/vendedor para determinar que pesos apropiados se encuentran disponibles para su unidad.

Seleccione una velocidad de avance lenta antes de empezar a subir una pendiente. Además de los pesos delanteros, debe emplearse una precaución especial al operar en pendientes con recogedores de hierba de enganche posterior.

Corte el césped SUBIENDO y BAJANDO pendientes, nunca de un costado a otro, ponga la mayor atención cuando cambie la dirección y NO ARRANQUE NI SE DETENGA EN PENDIENTES.

## NIÑOS

Tragiska olyckor kan inträffa om användaren inte är uppmärksam på närvaron av barn. Los niños suelen sentirse atraídos por la unidad y por la actividad del cortacésped. Nunca dé por supuesto que los niños se quedarán en el lugar donde los vio por última vez.

1. Mantenga a los niños fuera del área de corte y bajo la vigilancia atenta de otro adulto responsable.
2. Esté atento y apague el equipo si entran niños en la zona.
3. Antes y durante el avance marcha atrás, mire atrás y hacia abajo para detectar la presencia de niños.
4. Nunca lleve niños en la unidad, ni siquiera sin la(s) cuchilla(s). Los niños podrían caerse y lesionarse gravemente, o interferir en el seguro funcionamiento de la unidad. Los niños que hayan montado en un cortacésped en otros momentos pueden aparecer repentinamente en la zona en la que esté cortando el césped para que los lleve y pueden caerse o ser atropellados por la máquina.
5. Nunca permita que niños hagan funcionar la unidad.
6. Tenga un especial cuidado al acercarse a esquinas ciegas, arbustos, árboles u otros objetos que puedan dificultar la visión.

## EMISIONES

1. El humo del motor de este producto contiene agentes químicos que se sabe que, en ciertas cantidades, pueden causar cáncer, malformaciones congénitas u otros perjuicios relacionados con la salud reproductiva.
2. Busque información relevante de Periodo de Permanencia de las Emisiones e Índice en el Aire en la etiqueta sobre emisiones del motor.

## SISTEMA DE IGNICIÓN

1. Este sistema de encendido por chispa cumple con la norma ICEA-002 canadiense.

## REPARACIÓN Y MANTENIMIENTO

### Säker hantering av bensin

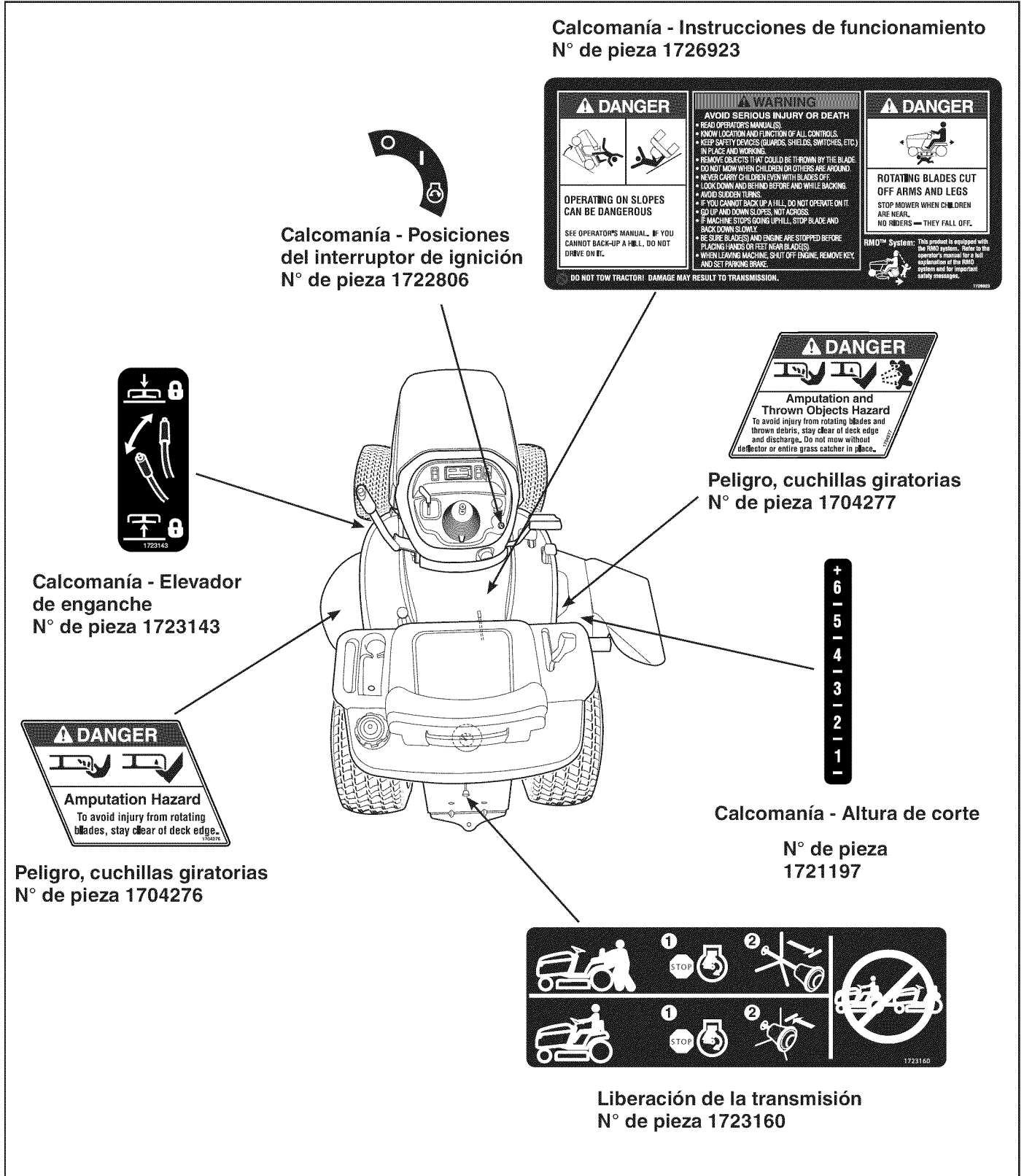
1. Apague todos los cigarrillos, puros, pipas y cualquier otra fuente de ignición.
2. Utilice únicamente contenedores de gasolina homologados.
3. No retire la tapa de la gasolina ni reponga combustible con el motor en funcionamiento. Låt motorn svalna innan den fylls på.
4. No llene el depósito de la máquina en espacios cerrados.
5. No guarde la máquina ni el contenedor de carburante en lugares en los que haya llamas expuestas, se produzcan chispas o haya luces piloto, como es el caso calentadores de agua u otros dispositivos.
6. Nunca llene recipientes dentro de un vehículo o sobre el piso de un camión o remolque con cobertores de plástico. Siempre coloque los contenedores sobre el suelo, lejos del vehículo, antes de proceder a llenarlos.
7. Retire del remolque o camión el equipamiento alimentado por gasolina y reponga el carburante sobre el suelo. Si ello no es posible, entonces abastézca el vehículo sobre un remolque con un contenedor portátil, no con una boquilla de surtidor de gasolina.
8. Mantenga la boquilla en contacto con el borde de la apertura del tanque o recipiente de combustible en todo momento y hasta haber completado la operación de llenado. No utilice dispositivos para bloquear y mantener abiertas boquillas.
9. Byt kläder omgående om du spillt bränsle på kläderna.
10. En ningún caso deberá superar el límite de llenado del depósito de combustible. Vuelva a colocar la tapa del depósito y ajústela firmemente.
11. Emplee la mayor precaución cuando manipule gasolina u otros elementos combustibles. Los carburantes son inflamables y sus vapores, explosivos.
12. Si se derrama combustible, no intente poner el motor en marcha; aleje la máquina del área del derrame y evite cualquier fuente de ignición hasta que se hayan disipado los vapores del combustible.
13. Vuelva ajustar firmemente las tapas de los tanques y de los contenedores de combustible.

### Servicio técnico y mantenimiento

1. Nunca haga funcionar la unidad en espacios cerrados en los que puedan acumularse el monóxido de carbono.
2. Mantenga las tuercas y pernos, especialmente los pernos de acomple de las cuchillas, apretados y mantenga el equipo en buenas condiciones.
3. Nunca fuerce los dispositivos de seguridad. Verifique periódicamente su correcto funcionamiento, y realice todas las reparaciones necesarias si no funcionan correctamente.
4. Mantenga la unidad libre de hierba, hojas u otras acumulaciones de desechos. Limpie posibles derrames de lubricantes o combustible y retire los desechos que puedan resultar impregnados de combustible. Deje que la máquina se enfríe antes de proceder a su almacenamiento.
5. Si golpea cualquier objeto con la unidad, deténgase e inspeccione la máquina. Antes de volver a hacer funcionar la máquina, realice las reparaciones necesarias.
6. No realice ningún tipo de ajustes o reparaciones con el motor en marcha.
7. Supervise con frecuencia los componentes de los recogedores de hierba y la protección posterior y, cuando sea necesario, sustitúyalos por componentes recomendados por el fabricante.
8. Las cuchillas del cortacésped son elementos cortantes. Retraiga la cuchilla o utilice guantes y emplee la mayor precaución cuando realice operaciones de mantenimiento en ellas.
9. Verifique con frecuencia el funcionamiento de los frenos. Haga los ajustes y reparaciones necesarios.
10. Mantenga o rcambie las etiquetas de instrucciones y de seguridad cuando sea necesario.
11. No retire el filtro de gasolina mientras el motor esté caliente; la gasolina que se derrame podría incendiarse. No disperse las abrazaderas del tubo de combustible más allá de lo necesario. Asegure firmemente las tuercas de agarre de las abrazaderas sobre el filtro tras su instalación.

12. No utilice gasolina que METANOL, gasohol que contenga más del 10% de ETANOL, aditivos para la gasolina, o white gas; el motor o el sistema de alimentación podrían resultar dañados.
13. Si el depósito de combustible ha de ser drenado, esa operación debe realizarse al aire libre.
14. Reemplace los silenciadores/tapabocas defectuosos.
15. Mantenga o rcambie las etiquetas de instrucciones y de seguridad cuando sea necesario.
16. Solo use piezas de reposición autorizadas por la fábrica al hacer reparaciones.
17. Cumpla siempre con las especificaciones de fábrica en todas las configuraciones y ajustes.
18. Únicamente se deberán utilizar establecimientos autorizados para el mantenimiento y las reparaciones de mayor calado.
19. Nunca intente realizar reparaciones mayores en esta unidad a no ser que tenga la capacitación necesaria. Procedimientos de reparación incorrectos pueden resultar en un funcionamiento con riesgos, daños en el equipo y la anulación de la garantía del fabricante.
20. En máquinas de cortacéspedes de múltiples cuchillas, deberá emplear la mayor precaución, ya que una cuchilla puede hacer girar a las demás.
21. No cambie los ajustes del limitador del motor ni revolucione en exceso el motor. La operación de un motor a una velocidad excesiva puede incrementar el riesgo de que se produzcan lesiones personales.
22. Desenganche la transmisión de los accesorios, detenga el motor, retire la llave y desconecte el o los cables de la bujía antes de realizar las siguientes operaciones: despejar obstrucciones y conductos, realizar reparaciones, tras golpear con un objeto o si la unidad vibra anormalmente. Tras golpear un objeto, inspeccione la máquina en busca de posibles daños y haga las reparaciones necesarias antes de volver a poner en marcha y hacer funcionar el equipo.
23. No coloque nunca las manos cerca de componentes móviles, como son el ventilador de refrigeración de la bomba de carburante cuando la unidad esté en funcionamiento (los ventiladores de refrigeración de la bomba de carburante están situadas típicamente en la parte superior del conjunto motriz).
24. Unidades de con bombas hidráulicas, mangueras o motores: **WARNING:** Los fluidos hidráulicos que escapen a presión pueden tener fuerza suficientes para penetrar la piel y causar lesiones graves. Se se inyectan fluidos extraños en la piel, deberán ser eliminados quirúrgicamente en el plazo máximo de unas horas por un facultativo que esté familiarizado con esta forma de lesiones; en caso contrario podría producirse un cuadro de gangrena. Mantenga el cuerpo y las manos lejos de orificios o boquillas de los que salgan eyectados fluidos hidráulicos a alta presión. Utilice papel o cartón, no las manos, para detectar fugas. Cerciórese de que todas las conexiones de los fluidos hidráulicos están ajustadas y que todas las mangueras y cables se hayan en buenas condiciones antes de aplicar presión sobre el sistema. Si se producen fugas, haga que la unidad sea reparada de forma inmediata por su centro de distribución autorizado.
25. **WARNING:** Dispositivo acumulador de energía. La inadecuada liberación de resortes puede resultar en graves lesiones corporales. Los resortes deben ser retirados por un técnico autorizado.
26. Modelos que incluyen un radiador de motor: **WARNING:** Dispositivo acumulador de energía. Para evitar lesiones corporales graves a raíz de la explosión del anticongelante o vapor caliente, nunca intente retirar la tapa del radiador mientras que el motor esté en marcha. Detenga el motor y espere a que se enfríe. Incluso después, tenga extremo cuidado al retirar la tapa.

# Ubicaciones de las calcomanías (Seguridad y funcionamiento)



**Calcomanía - Instrucciones de funcionamiento**  
N° de pieza 1726923

<p><b>⚠ DANGER</b></p> <p><b>OPERATING ON SLOPES CAN BE DANGEROUS</b></p> <p>SEE OPERATOR'S MANUAL. IF YOU CANNOT BACK-UP A HILL, DO NOT DRIVE ON IT.</p>	<p><b>⚠ WARNING</b></p> <p><b>AVOID SERIOUS INJURY OR DEATH</b></p> <p>READ OPERATOR'S MANUAL(S).          • KNOW LOCATION AND FUNCTION OF ALL CONTROLS.          • KEEP SAFETY DEVICES (GUARDS, SHIELDS, SWITCHES, ETC.) IN PLACE AND WORKING.          • REMOVE OBJECTS THAT COULD BE THROWN BY THE BLADE.          • DO NOT MOW WHEN CHILDREN OR OTHERS ARE AROUND.          • NEVER CARRY CHILDREN EVEN WITH BLADES OFF.          • LOCK DOWN AND BEHIND BEFORE AND WHILE BACKING.          • AVOID SUDDEN TURNS.          • IF YOU CANNOT BACK UP A HILL, DO NOT OPERATE ON IT. GO UP AND DOWN SLOPES, NOT ACROSS.          • IF MACHINE STOPS GOING UPHILL, STOP BLADE AND BACK DOWN SLOWLY.          • BE SURE BLADE(S) AND ENGINE ARE STOPPED BEFORE PLACING HANDS OR FEET NEAR BLADE(S).          • WHEN LEAVING MACHINE, SHUT OFF ENGINE, REMOVE KEY AND SET PARKING BRAKE.</p> <p>DO NOT TOW TRACTOR. DAMAGE MAY RESULT TO TRANSMISSION.</p>	<p><b>⚠ DANGER</b></p> <p><b>ROTATING BLADES CUT OFF ARMS AND LEGS</b></p> <p>STOP MOWER WHEN CHILDREN ARE NEAR. NO RIDERS — THEY FALL OFF.</p> <p><small>RMD™ System: This product is equipped with the RMD system. Refer to the operator's manual for a full explanation of the RMD system and for important safety messages.</small></p>
---	---	---

**Calcomanía - Posiciones del interruptor de ignición**  
N° de pieza 1722806

1723143

**Calcomanía - Elevador de enganche**  
N° de pieza 1723143

**⚠ DANGER**

**Amputation and Thrown Objects Hazard**

To avoid injury from rotating blades and thrown debris, stay clear of deck edge and discharge. Do not mow without deflector or entire grass catcher in place.

**Peligro, cuchillas giratorias**  
N° de pieza 1704277

**⚠ DANGER**

**Amputation Hazard**

To avoid injury from rotating blades, stay clear of deck edge.

**Peligro, cuchillas giratorias**  
N° de pieza 1704276

+ 6  
- 5  
- 4  
- 3  
- 2  
- 1

**Calcomanía - Altura de corte**  
N° de pieza 1721197

1723160

**Liberación de la transmisión**  
N° de pieza 1723160

Figura 1





## Interruptor PTO

El interruptor PTO (toma de fuerza) acopla y desacopla accesorios que utilizan PTO. Para acoplar PTO, tire hacia ARRIBA del interruptor. Empuje hacia ABAJO para el desacople. *Recuerde que el usuario debe estar sentado firmemente en el asiento del tractor para que funcione PTO.*



## Interruptor de encendido

El interruptor de encendido arranca y detiene el motor; tiene tres posiciones:



APAGAR

Detiene el motor y apaga el sistema eléctrico.



EN MARCHA

Permite que el motor funcione y pone en marcha el sistema eléctrico.



ARRANQUE

Hace girar el motor para ponerlo en marcha.

*NOTA: Nunca deje el interruptor de encendido en la posición MARCHA con el motor detenido ya que esto agota la batería.*



## Pedal del freno

Si presiona el pedal del freno, se activan los frenos del tractor.



## Pedales de velocidad de avance

El acelerador del tractor controla la velocidad de desplazamiento hacia adelante del tractor. El pedal de control de velocidad de desplazamiento marcha atrás controla la velocidad de desplazamiento marcha atrás del tractor. Si presiona cualquier pedal, aumentará la velocidad de desplazamiento. Recuerde que cuanto más pise el pedal, mayor será la velocidad a la que se desplazará el tractor.



## Freno de estacionamiento

La perilla del freno de estacionamiento se usa para accionar el freno de estacionamiento cuando se detiene el tractor. Si se presiona completamente el pedal del freno y se tira de la perilla, se acciona el freno de estacionamiento.



## Ajuste de la altura de corte del cortacésped

La altura de corte puede ajustarse entre 1,0" y 4,0" (2,5 y 10,2 cm).

El interruptor de ajuste de la altura de corte controla la altura de corte del cortacésped. Este mismo interruptor también controla el motor del rotor de pico cuando hay instalado un quitanieves. Las flechas del interruptor se corresponden con la dirección del ajuste (la flecha hacia ARRIBA eleva la altura de corte, la flecha hacia la DERECHA gira el pico hacia la derecha, etc.). Cuando el indicador de ajuste haya alcanzado el fin de su trayectoria, suelte el interruptor; si mantiene presionado el interruptor, el motor resultará dañado.



## Control de velocidad de cruceo

El control de cruceo se usa para bloquear el control de velocidad de desplazamiento hacia delante. Mueva la palanca hacia delante hasta alcanzar la velocidad de desplazamiento deseada. Para desacoplar el control de la velocidad cruceo, mueva la palanca hacia atrás. En el caso de que necesite detener la máquina rápidamente, al presionar el pedal del freno, el control de velocidad cruceo también volverá a la posición de punto muerto.



## Palanca de ajuste del asiento

El asiento puede ajustarse hacia delante y hacia atrás. Mueva la palanca, coloque el asiento en la posición deseada y suelte la palanca para bloquear el asiento en su lugar.



## Palanca de válvula de liberación de la transmisión

La palanca de la válvula de liberación de la transmisión desactiva la transmisión para que el tractor pueda ser empujado manualmente. Consulte **Empujar el tractor a mano**.



## Tanque de combustible

Para retirar la tapa, gire hacia la izquierda. El indicador de combustible forma parte del tablero.



## 12V Toma de corriente

La toma de corriente es 12V-CC. El accesorio debe estar clasificado en 9 amperios o menos.



## Pedal de bloqueo del diferencial

Al presionar este pedal, se bloquea el diferencial de la transmisión, bloqueándose ambas ruedas traseras en la posición de "accionamiento".

Utilice esta función si el tractor se queda atascado a causa de una rueda que patina. **Acople el bloqueo del diferencial solamente a unas velocidades lentas.**



## Palanca de control de elevación de accesorios

Al utilizar la cubierta del cortacésped, levante y quite la cubierta del suelo mientras la transporta a y desde la zona de trabajo. **NO** corte con el cortacésped en la posición elevada de transporte.

La palanca de control de elevación de los accesorios eleva y baja los accesorios que utilizan el acople de elevación manual del tractor. Para hacer descender un accesorio: tire hacia atrás ligeramente de la palanca, presione el botón de liberación y empuje la palanca hacia delante hasta que quede fija en la posición inferior. Para elevar un accesorio: empuje la palanca ligeramente hacia delante, presione el botón de liberación y tire hacia atrás de la palanca hasta que quede fija en la posición superior.

## Pantalla y funciones del panel

### A. NIVEL DE COMBUSTIBLE

Indica la cantidad de combustible que queda en el depósito de combustible (Figura 3). El izquierdo está vacío; el derecho está lleno.

### B. CONTADOR DE HORAS / RELOJ / INDICADOR DE MANTENIMIENTO

Muestra el reloj, el contador de horas y el recordatorio de mantenimiento.

El contador de horas contabiliza el número de hora durante las que la llave ha estado en la posición MARCHA. El contador de horas hará parpadear un indicador de cambio de aceite inicial a las 5 horas y un recordatorio de lubricación cada 50 horas. Estos recordatorios son visibles durante aproximadamente dos horas y se reiniciarán ellos mismos de manera automática.

*NOTA: El contador de horas registrará el transcurso del tiempo cuando la llave esté en la posición RUN, incluso en el caso de que el motor no esté en funcionamiento. El contador de horas dispone de una fuente de alimentación autoincluido, por lo que el número total de horas siempre está visible.*

### C. BOTÓN DE SELECCIÓN

Se utiliza para ajustar el reloj y reiniciar el recordatorio de mantenimiento.

### D. BOTÓN DE AJUSTE

Se utiliza para ajustar el reloj y reiniciar el recordatorio de mantenimiento.

### E. LUZ DE PTO

Indica que el interruptor del PTP está en la posición de activado.

### F. LUZ DE CONTROL DE VELOCIDAD CRUCERO

Indica que el control de la velocidad crucero está activado.

### G. LUZ DE PRESIÓN BAJA DEL ACEITE

Indica que la presión del aceite del motor es baja. La luz se iluminará cuando el tractor se arranque por primera vez y luego se apagará. SI ESTA LUZ SE ILUMINA CUANDO EL TRACTOR SE ESTÁ USANDO, APAGUE EL MOTOR INMEDIATAMENTE. Póngase en contacto con el servicio técnico de Sears.

### H. LUZ DE BAJO VOLTAJE

Indica que el voltaje del sistema eléctrico es bajo. La luz se iluminará cuando el tractor se arranque por primera vez y luego se apagará. SI ESTA LUZ SE ILUMINA CUANDO EL TRACTOR SE ESTÁ USANDO, APAGUE EL MOTOR INMEDIATAMENTE. Póngase en contacto con el servicio técnico de Sears.

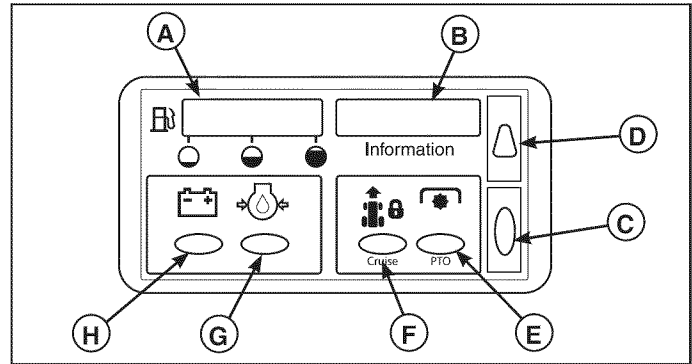


Figura 3

## Funciones

**Mostrar horas totales de funcionamiento** - Cuando la llave de contacto se gira por primera vez hasta la posición de ARRANQUE, todos los indicadores de advertencia se iluminarán y se mostrarán las horas totales de funcionamiento. Asegúrese de que funcionen todas las luces.

**Mostrar horas de PTO** - Apague la llave, acople el interruptor PTO y gire la llave hasta la posición de MARCHA (motor apagado).

**Ajustar el reloj** - Arranque el motor, deje el motor en marcha. Presione el botón de selección (C) durante tres (3) segundos y suéltelo. Presione el botón de ajuste y MANTÉNGALO PRESIONADO para que avance el tiempo. Presione el botón de selección para seleccionar los minutos. Presione y MANTENGA PRESIONADO el botón de ajuste (D) para que avance el tiempo. Espere 5 segundos y el reloj se activará. Apague el motor.

**Modo de muestra** - Con el motor apagado, mantenga presionado el botón de ajuste (D) y gire la llave del interruptor hasta la posición RUN.

**Recordatorio de mantenimiento** - En la ventana de información (B) aparecerá un mensaje a modo de recordatorio de mantenimiento cuando la máquina haya estado funcionando durante 5 horas y, a continuación, cada 50 horas. El recordatorio se reiniciará automáticamente una vez hayan transcurrido 5 horas de funcionamiento. El mensaje recordatorio se puede reiniciar de manera manual girando el interruptor de llave de OFF a RUN (con el motor apagado) y, a continuación, pulsando los botones de ajuste (D) y de selección (C) de manera simultánea durante 5 minutos.

## Función del freno de estacionamiento

**Aplicación del freno de estacionamiento** - Véase la Figura 4. Para bloquear el freno de estacionamiento, suelte los pedales para controlar la velocidad (A), presione completamente el pedal de freno (B), levante hacia ARRIBA la perilla del freno de estacionamiento (C) y, a continuación, suelte el pedal del freno.

**Liberación del freno de estacionamiento** - Observe la Figura 4. Para liberar el freno de estacionamiento, presione el pedal de freno (B) y empuje hacia ABAJO la perilla del freno de estacionamiento (D).

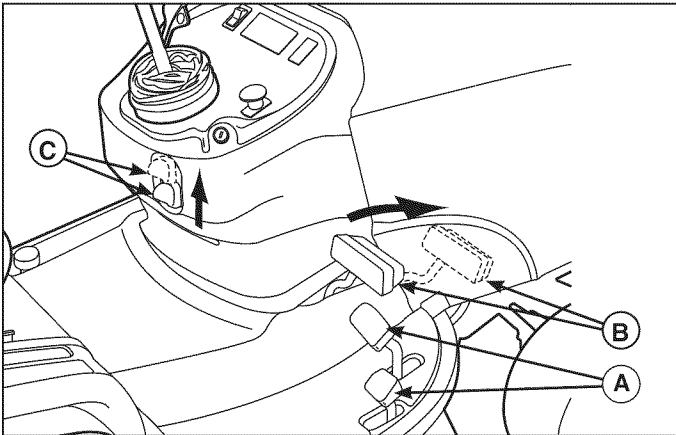


Figure 4

## Tracción avanzada controlada ¿Qué es la tracción avanzada controlada?

La tracción avanzada controlada (ATC) es una característica exclusiva de nuestros sistemas de transmisión que proporciona una tracción mejorada. ATC aplica una cantidad de torsión preestablecida en ambas ruedas traseras incluso cuando una de ellas comienza a patinar (un sistema de transmisión sin ATC perderá tracción completamente si una de las ruedas traseras comienza a patinar). Esta torsión preestablecida es suficiente para proporcionar tracción adicional y permitir que las ruedas giren a distintas velocidades en un giro o curva cerrada sin estropear el césped.

## Qué beneficios le aporta su tractor de ATC

La mayor parte del tiempo, mientras está utilizando el tractor, no se dará cuenta de que la ATC está funcionando y simplemente se irá acostumbrando al aumento de tracción que proporciona un sistema de transmisión con ATC.

En algunos casos, el sistema de ATC puede superar el límite y una de las ruedas traseras puede patinar (por ejemplo, si intenta subir una pendiente mientras acelera). Esto es algo normal. Si comienza a perder tracción, no acelere. En lugar de ello, reduzca la velocidad hasta detenerse, enderezar el volante y vuelva a acelerar poco a poco. Al detener el tractor, la transmisión podrá volver a recuperar la tracción.

## Toma de corriente de 12 voltios

El enchufe auxiliar de 12 voltios está situado en el compartimento de la izquierda. Se puede utilizar para encender dispositivos electrónicos pequeños. El accesorio debe estar clasificado en 9 amperios o menos.

*NOTA: Si trabaja con un accesorio de 12 voltios, especialmente si el motor está en ralentí, es posible que la batería se descargue. Cuando no esté utilizando el enchufe auxiliar, éste debe estar cubierto con un tapón de goma para evitar que entre humedad y pueda provocar un cortocircuito. Si entra agua en el enchufe, es posible que se produzca un cortocircuito.*

# FUNCIONAMIENTO

## Pruebas del sistema de interbloqueo de seguridad

Esta unidad está equipada con los conmutadores de interbloqueo de seguridad y otros dispositivos de seguridad. Estos sistemas de seguridad se utilizan por su seguridad. No intente modificar los dispositivos de seguridad y no fuerce nunca los dispositivos de seguridad.

### ADVERTENCIA

Si la unidad no pasa con éxito algún test de seguridad, no la ponga en funcionamiento. Consulte a su distribuidor autorizado.

#### Prueba 1: El motor NO debe arrancar si:

- el interruptor de toma de fuerza está en ACTIVADO, O
- el pedal del freno NO se presiona por completo (freno de estacionamiento SUELTO), O
- la palanca de control de crucero NO está en NEUTRO.

#### Prueba 2: El motor DEBE arrancar si:

- el interruptor de toma de fuerza está APAGADO Y
- el pedal del freno se encuentra presionado por completo (freno de estacionamiento ACTIVADO) Y
- la palanca de control de crucero está en NEUTRO.

#### Prueba 3: El motor se debe APAGAR si:

- el operador se levanta del asiento con la toma de fuerza activada; O
- el operador eleva el asiento con el pedal del freno SIN presionarlo por completo (freno de estacionamiento SUELTO).

#### Prueba 4: Revise el tiempo de detención de las cuchillas del cortacésped

Las cuchillas y la correa de transmisión del cortacésped deben detenerse completamente dentro de cinco segundos luego de apagar el interruptor de toma de fuerza eléctrico. Si la correa de transmisión del cortacésped no se detiene dentro de cinco segundos, póngase en contacto con el servicio técnico de Sears.

#### Prueba 5: Revise la opción de corte de césped marcha atrás (RMO)

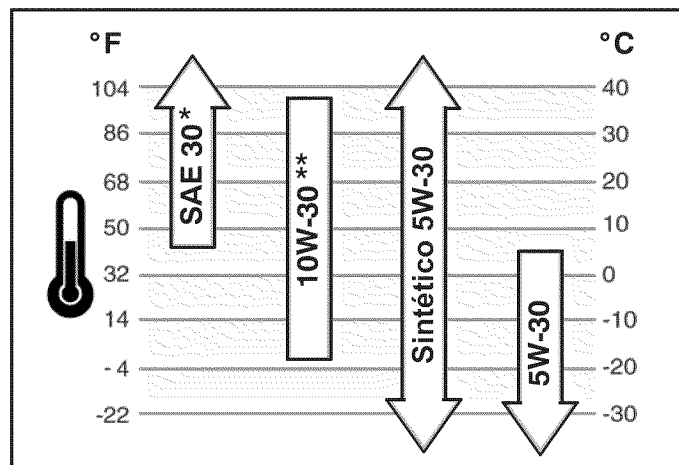
- El motor debe apagarse cuando se intente dar marcha atrás si se ha activado la toma de fuerza y no se ha activado la marcha atrás.
- La luz de corte de césped marcha atrás debe encenderse cuando se haya activado esta función.

*NOTA: Una vez detenido el motor, se debe apagar el interruptor de toma de fuerza luego de que el operador vuelva a sentarse para arrancar el motor.*

## Recomendaciones de aceite

Se recomienda el uso de aceites Certificados por la Garantía Briggs & Stratton para mejor rendimiento. Otros aceites detergentes de alta calidad son aceptables si están clasificados para servicio SF, SG, SH, SJ o superior. No utilice aditivos especiales.

Las temperaturas exteriores determinan la viscosidad del aceite apropiada para el motor. Utilice el cuadro para seleccionar la mejor viscosidad para el rango de temperatura exterior esperado.



\* El uso de aceite SAE 30 a temperaturas inferiores a 40°F (4°C) producirá dificultad de arranque.

\*\* El uso de aceite 10W-30 a temperaturas superiores a 80°F (27°C) puede producir un incremento en el consumo de aceite. Compruebe el nivel de aceite con mayor frecuencia.

## Cómo verificar/añadir aceite

### Antes de aprovisionar con aceite o de comprobar el nivel de aceite

- Coloque el motor a nivel.
  - Limpie el área de llenado de aceite de todo desecho.
1. Remueva la varilla indicadora de nivel de aceite (A, Figura 5) y límpiela con un trapo limpio.
  2. Inserte y apriete la varilla indicadora de nivel de aceite.
  3. Remueva la varilla indicadora de nivel de aceite y compruebe el nivel de aceite. El aceite debe alcanzar la marca FULL (B) en la varilla indicadora de nivel de aceite.
  4. Si el nivel de aceite es bajo, añada aceite lentamente por dentro del tubo de llenado de aceite (C). **No llene excesivamente.** Después de aprovisionar con aceite, espere un minuto y después vuelva a comprobar el nivel de aceite.

*NOTA: No agregue aceite al drenaje rápido del aceite (si está equipado).*

5. Coloque y apriete la varilla indicadora de nivel de aceite.



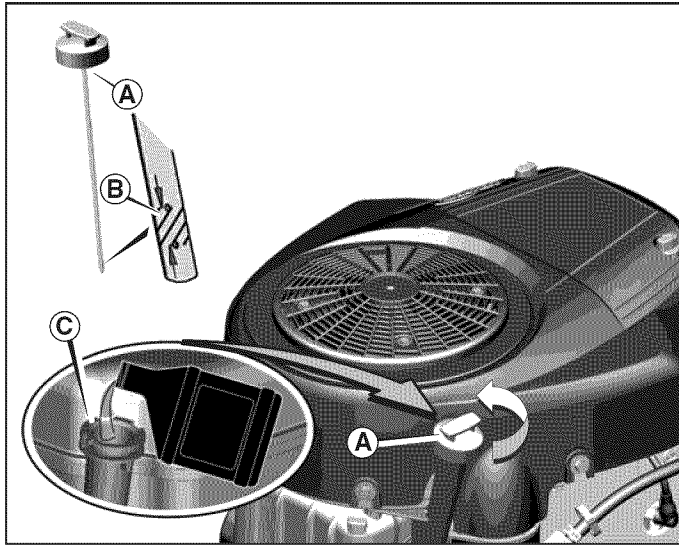


Figura 5

## Presión de aceite

Si la presión de aceite es muy baja, un suiche de presión (si está equipado) detendrá el motor o activará un dispositivo de advertencia en el equipo. Si esto ocurre, detenga el motor y compruebe el nivel de aceite con la varilla indicadora de nivel de aceite.

Si el nivel de aceite está por debajo de la marca ADD, agregue aceite hasta que alcance la marca FULL. De arranque al motor y compruebe que tenga la presión correcta antes de continuar la operación.

Si el nivel de aceite está entre las marcas ADD y FULL, **no de arranque** al motor. Póngase en contacto con un distribuidor autorizado para corregir el problema de presión del aceite.

## Recomendaciones para el combustible

### El combustible debe cumplir con estos requerimientos:

- Gasolina limpia, fresca y libre de plomo.
- Un mínimo de 87 octanos/87 AKI (91 RON). Para uso a alta altitud vea a continuación.
- El uso de gasolina hasta con el 10% de ethanol (gasohol) o hasta el 15% de MTBE (methyl tertiary butyl ether), es aceptable.

**PRECAUCIÓN:** No use gasolina que no haya sido aprobada tal como E85. No mezcle el aceite con la gasolina, ni modifique el motor para operarlo con combustibles alternos. Esto dañará los componentes del motor e **invalidará la garantía del motor.**

Para proteger el sistema de combustible de la formación de depósitos de goma, mézclele un estabilizador de combustible cuando le añada combustible. Consulte el aparte: **Bodegaje**. Todos los combustibles no son los mismos. Si se presentan problemas de arranque o de rendimiento cambie de proveedor de combustible o de marca. Este motor está certificado para operar con gasolina. El sistema de control de emisiones para este motor es EM (Modificaciones del Motor).

## Alta altitud

Para altitudes superiores a 5.000 pies (1.524 metros), es aceptable el uso de gasolina con un mínimo de 85 octanos/85 AKI (89 RON). Para cumplir con las emisiones, se requiere hacer un ajuste para alta altitud. Si la operación se realiza sin haber hecho éste ajuste se causará una disminución en el rendimiento, un aumento del consumo de combustible y un aumento en las emisiones. Consulte a un distribuidor autorizado para obtener información sobre el ajuste para altitudes altas.

No se recomienda operar el motor a altitudes inferiores a 2,500 pies (762 metros) con el kit para alta altitud.

## Cómo agregar combustible



### ADVERTENCIA

El combustible y sus vapores son **extremadamente inflamables y explosivos.**



Un incendio o una explosión pueden causar graves quemaduras o la muerte.



### Cuando aprovisione con combustible

- Apague el motor y deje que el motor se enfríe por lo menos 3 minutos antes de remover la tapa de combustible.
- Llene el tanque de combustible en exteriores o en un área bien ventilada.
- No llene demasiado el tanque de combustible. Para permitir la expansión del combustible no llene por encima de la parte inferior del cuello del tanque de combustible.
- Mantenga el combustible a distancia de chispas, llamas abiertas, testigos piloto, calor y otras fuentes de encendido.
- Compruebe con frecuencia si existen grietas o fugas en las mangueras de combustible, el tanque, la tapa y en los accesorios. Cámbielos si es necesario
- Si se derramó combustible, espere hasta que se haya evaporado antes de darle arranque al motor.

1. Limpie el área de la tapa de combustible de polvo y desechos. Retire la tapa de combustible (A, Figura 6).
2. Llene el tanque de combustible con combustible. Para permitir la expansión de la gasolina, no lo llene por encima de la parte inferior del cuello del tanque de combustible.
3. Re-instale la tapa de combustible.

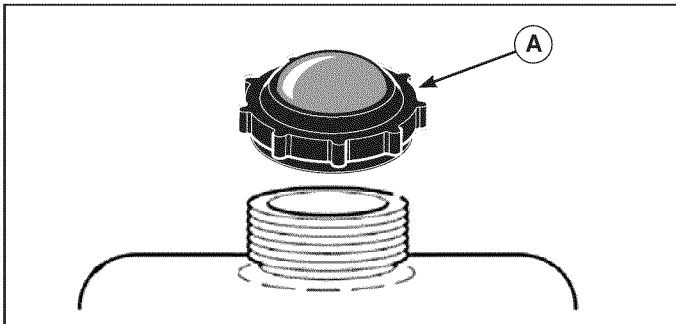


Figura 6

## Arranque del motor



### ADVERTENCIA



El combustible y sus vapores son extremadamente inflamables y explosivos.



El fuego o las explosiones pueden causar quemaduras graves o incluso la muerte.

#### Cuando arranque el motor:

- Asegúrese de que la bujía, el silenciador, la tapa del depósito de combustible y el purificador de aire (si lo tiene) se encuentren en su lugar y estén fijos.
- No haga girar el motor sin que la bujía esté colocada en el equipo.
- Si se inunda el motor, ajuste el estrangulador (si lo tiene) en la posición ABIERTA/ENCENDIDA, mueva el control de la mariposa (si la tiene) a la posición RÁPIDO y arranque el motor hasta que encienda.



### ADVERTENCIA



Los motores emiten monóxido de carbono, un gas venenoso inodoro e incoloro.

Respirar monóxido de carbono puede ocasionar náuseas, desmayos o la muerte.

- Arranque el motor y déjelo en marcha en exteriores.
- No arranque el motor ni lo deje funcionando en áreas cerradas, aunque haya puertas o ventanas abiertas.

1. Compruebe el nivel de aceite. Consulte la sección **Cómo verificar/añadir aceite**.
2. Asegúrese de que los controles del arranque del equipo estén desenganchados.
3. Mueva el control de aceleración a la posición RÁPIDO. Opere el motor en la posición RÁPIDO.
4. Gire el interruptor de encendido eléctrico a la posición ACTIVADO/ARRANQUE.

*NOTA: Si el motor no arranca luego de varios intentos, vaya a [www.craftsman.com](http://www.craftsman.com) o llame al 1-800-233-3723 (en Estados Unidos).*

*AVISO: Para extender la vida útil del motor de arranque, use ciclos cortos (máximo cinco segundos) de arranque. Espere un minuto entre los ciclos de arranque.*

## Conducción del tractor

1. Siéntese en el asiento y ajústelo con el fin de que pueda llegar a todos los controles y ver la pantalla del tablero.
2. Ponga el freno de estacionamiento.
3. Compruebe que el interruptor PTO esté desenganchado.
4. Ponga en marcha el motor (consulte **Puesta en marcha del motor**).
5. Desacople el freno de estacionamiento y libere el pedal de freno.
6. Presione el acelerador para permitir el avance. Libere el pedal para detenerse. Recuerde que cuanto más pise el pedal, mayor será la velocidad a la que se desplazará el tractor.
7. Para detener el tractor, suelte los pedales que controlan la velocidad de avance del tractor, coloque el freno de estacionamiento, y detenga el motor (consulte **Detención del tractor y del motor**).

## Cortar el césped

1. Fije la altura de corte del cortacésped con el nivel que desee y ajuste las ruedas niveladoras con la posición correcta.
2. Ponga el freno de estacionamiento. Compruebe que el interruptor PTO esté desenganchado.
3. Ponga en marcha el motor (consulte **Puesta en marcha del motor**).
4. Ajuste la mariposa A TODA MARCHA.
5. Active el PTO (Cortacésped).
6. Empiece a cortar el césped.
7. Cuando haya acabado, desactive el PTO y eleve el cortacésped utilizando la palanca de control de elevación de accesorios.
8. Detenga el motor (consulte **Detención del tractor y del motor**).

## ADVERTENCIA

El motor se apagará si presiona el pedal de la velocidad de avance marcha atrás mientras la toma de fuerza está activada y el corte de césped marcha atrás no se ha activado. El operador siempre debe apagar la toma de fuerza antes de cruzar calles, caminos o cualquier zona por donde puedan transitar otros vehículos. Si pierde el control de la conducción de manera repentina, puede resultar peligroso.

## ADVERTENCIA

El corte de césped marcha atrás puede ser peligroso para los transeúntes. Pueden ocurrir accidentes graves si el operador no está atento ante la presencia de niños. Nunca active el corte de césped marcha atrás en presencia de niños. Los niños suelen sentirse atraídos por la unidad y por la actividad de cortar el césped.

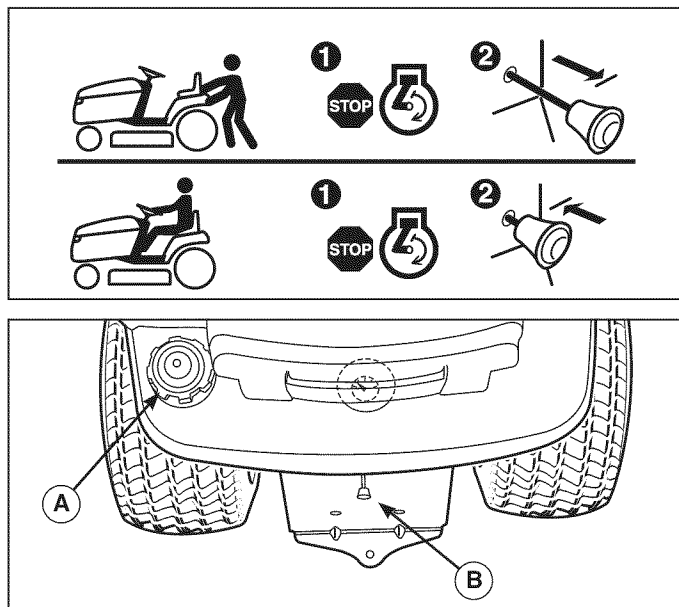


Figura 7

## Cortar el césped marcha atrás

Si un usuario elige cortar el césped marcha atrás, puede usarse el sistema RMO. Para usar la opción de cortar el césped marcha atrás (RMO), gire la llave RMO después de que PTO esté acoplado. Se encenderá la luz del LED y, a continuación, el usuario podrá cortar marcha atrás. Cada vez que se acople PTO, puede reactivar la opción de corte marcha atrás, si lo desea. Se debería retirar la llave para restringir el acceso a la opción RMO de cortar el césped en marcha atrás.

## Funcionamiento de accesorios marcha atrás

Si un usuario elige utilizar un accesorio accionado por PTO marcha atrás, puede utilizar el sistema RMO. Para usar la opción de cortar el césped marcha atrás (RMO), gire la llave RMO después de que PTO esté acoplado. Se encenderá la luz del LED y, a continuación, el usuario podrá poner en funcionamiento el accesorio marcha atrás. Cada vez que se desacople PTO, puede reactivar la opción de corte marcha atrás, si lo desea. Se debería retirar la llave para restringir el acceso a la opción RMO de cortar el césped en marcha atrás.

## Empujar el tractor cortacésped manualmente

1. Desacople PTO y apague el motor.
2. Tire de la palanca de liberación de la transmisión (B, Figura 7) hacia atrás aproximadamente 2-1/2" (6 cm) para bloquearla en la posición de liberación.
3. Es ahora que puede empujarse el tractor manualmente.



### NO REMOLQUE EL TRACTOR

Remolcar la unidad causaría daños en la transmisión. • No utilice ningún tipo de vehículo para empujar o tirar de la unidad. • No utilice la palanca de la válvula de liberación de la transmisión mientras el motor esté en funcionamiento.

## Detención del tractor y el motor



### ADVERTENCIA



El combustible y sus vapores son extremadamente inflamables y explosivos.



El fuego o las explosiones pueden causar quemaduras graves o incluso la muerte.

1. Mueva el control de aceleración a la posición RÁPIDO.
2. Gire el interruptor de la llave hasta la posición APAGADO.
3. Retire la llave y manténgala en un lugar seguro fuera del alcance de los niños.

## Ajustar la altura de corte del cortacésped

La altura de corte puede ajustarse entre 1,0" y 4,0" (2,5 y 10,2 cm).

El interruptor de ajuste de la altura de corte (A, Figura 8) controla la altura de corte del cortacésped. Este mismo interruptor también controla el motor del rotor de pico cuando hay instalado un quitanieves. Las flechas del interruptor se correspondiente con la dirección del ajuste (la flecha hacia ARRIBA eleva la altura de corte, la flecha hacia la DERECHA gira el pico hacia la derecha, etc.). Cuando el indicador de ajuste haya alcanzado el fin de su trayectoria, suelte el interruptor; si mantiene presionado el interruptor, el motor resultará dañado.

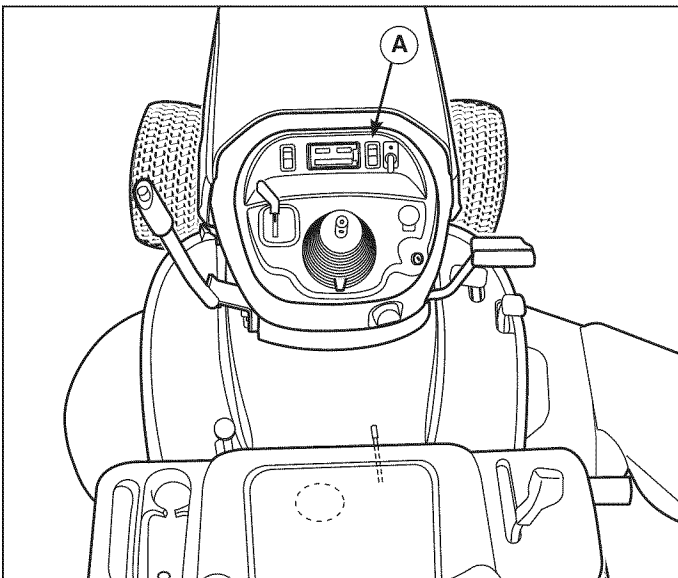


Figura 8

## Enganche de un remolque

La fuerza de tracción horizontal máxima permitida es de 444 Newton. La fuerza de tracción vertical máxima permitida es de 222 Newton. Esto equivale a un remolque de 396 lbs (180 kg) sobre una pendiente de 10 grados. Enganche el remolque con una clavija del tamaño adecuado (A, Figura 9) y una pinza (B).

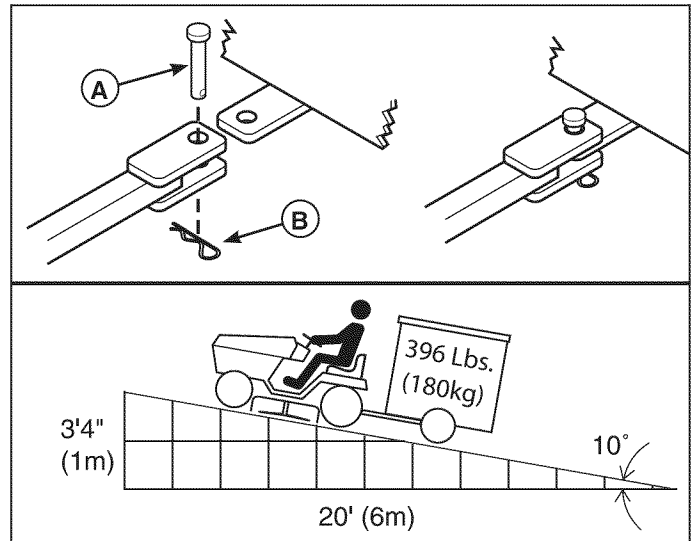


Figura 9

## Ajuste del asiento

### Ajuste de la inclinación

La inclinación del asiento se puede ajustar con una de las tres posiciones existentes. Para ajustarlo, quite los pernos de la carrocería, los espaciadores, arandelas y tuercas (A, Figura 10) de la bisagra y vuelva a instalarlos en los agujeros que desee.

### Ajuste el deslizamiento del asiento

El asiento también puede ajustarse hacia delante y hacia atrás. Mueva la palanca (B, Figura 10), coloque el asiento como desee y suelte la palanca para que el asiento quede bloqueado en la posición deseada.

### Ajuste del muelle del asiento

Los muelles del asiento (C, Figura 10) se puede ajustar para que el asiento esté más firme o menos rígido mientras va montado. Incline el asiento hacia adelante y deslice el conjunto del muelle para que el asiento esté menos rígido y deslícelo hacia atrás para que esté más firme.

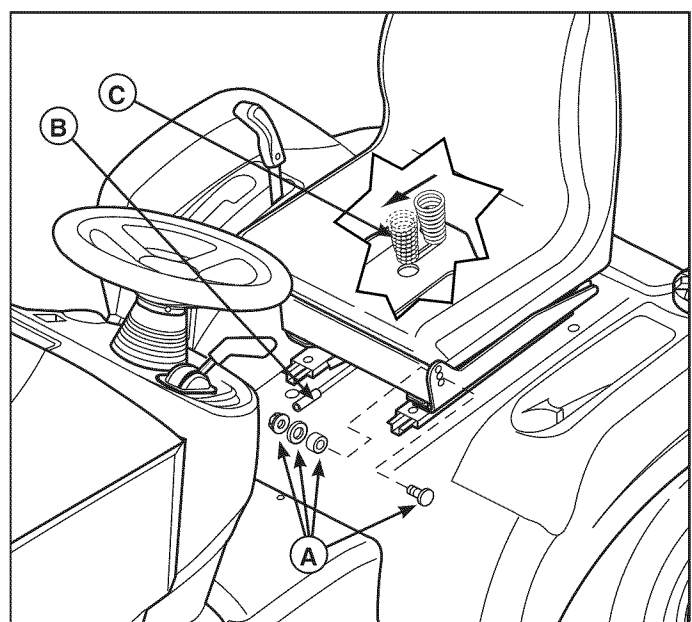


Figura 10

# MANTENIMIENTO

## Underhållsschema

TRACTOR Y CORTACÉSPED
<b>Var 8:e timma eller en gång per dag</b>
Revisar el sistema de bloqueo de seguridad
Limpiar el tractor y el cortacésped
Limpiar los desechos del compartimento del motor
<b>Var 25:e timma eller en gång per år *</b>
Kontrollera stopptiden för klipparens blad
Revisar tractor/cortacésped por si tuviesen piezas sueltas
Verificar la presión de los neumáticos
<b>Var 50:e timma eller en gång per år *</b>
Revisar el funcionamiento de los frenos
Limpiar la batería y el cableado
<b>Kontakta återförsäljare en gång per år för att</b>
Lubricar el tractor y el cortacésped
Kontrollera klipparens blad **

\* Lo que ocurra en primer lugar

\*\* Revise las cuchillas más a menudo en regiones que tengan suelos arenosos y en condiciones en las que exista mucho polvo.

MOTOR
<b>Första 5 timmarna</b>
Cambio del aceite del motor - consulte el manual del motor
<b>Var 8:e timma eller en gång per dag</b>
Comprobación del nivel de aceite del motor - consulte el manual del motor
<b>Var 25:e timma eller en gång per år *</b>
Limpiar el filtro y el depurador de aire del motor **
<b>Var 50:e timma eller en gång per år *</b>
Byt motorolja
Sustituir el filtro de aceite
<b>En gång per år</b>
Byt luftfilter
Sustituir el depurador
<b>Kontakta återförsäljare en gång per år för att</b>
Inspeccionar el silenciador y la pantalla antichispas
Byta tändstift
Sustituir el filtro de combustible
Rengör motorns luftkylningsystem

\* Lo que ocurra en primer lugar

\*\* En condiciones en las que exista polvo o suciedad en forma de partículas en suspensión, limpiar más a menudo.

## Control de emisiones

El mantenimiento, cambio o reparación de los dispositivos y sistemas del control de emisiones pueden ser realizados por cualquier establecimiento o persona que repare motores todo terreno. Sin embargo, para obtener servicio de control de emisiones "sin costo", la labor debe ser realizada por un distribuidor autorizado por la fábrica.

## Revisar el tiempo de detención de la cuchilla del cortacésped

Las cuchillas y la banda de transmisión del cortacésped deben detenerse completamente en cinco segundos después de que se apague el interruptor eléctrico del PTO.

1. Con el tractor en punto muerto, PTO desacoplado y el usuario en el asiento, encienda el motor.
2. Mire el apoyapiés izquierdo en la correa de tracción del cortacésped. Active el PTO y espere algunos segundos. Desactive el PTO y verifique la cantidad de tiempo que toma el que se detenga la banda de transmisión del cortacésped.
3. Si la correa de transmisión del cortacésped no se detiene transcurridos 5 segundos, póngase en contacto con su distribuidor.

## Comprobación de la presión de los neumáticos

La presión de los neumáticos debe comprobarse de manera periódica (Figura 11). El inflado máximo viene indicado en el lateral de los neumáticos. No supere la presión máxima del neumático que se indica.

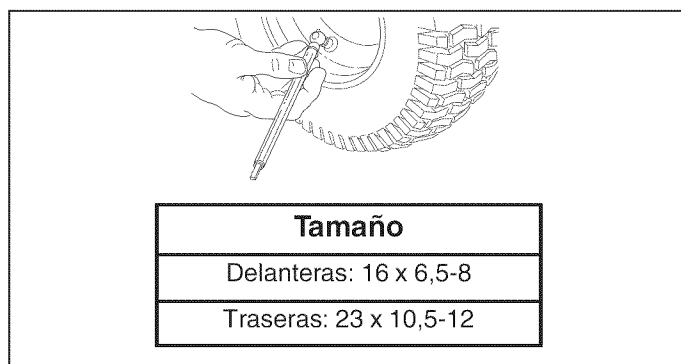


Figura 11

## Sistema electrónico de manejo del combustible

El sistema Electrónico de Manejo del Combustible supervisa la temperatura del motor, la velocidad del motor, y el voltaje de la batería para ajustar el estrangulador durante el arranque y el calentamiento del motor. No existen ajustes en el sistema. Si se presentarán problemas en el arranque o en la operación, póngase en contacto con el servicio técnico de Sears.

**NOTIFICACIÓN:** Cerciórese de seguir los pasos a continuación. De lo contrario podrían producirse daños en el sistema.

- Nunca de arranque al motor si los cables de la batería están flojos.
- Gire la llave hacia la posición off antes de desconectar, retirar y/o instalar la batería.
- Nunca utilice un cargador de baterías para dar arranque al motor.
- Nunca desconecte los cables de la batería mientras que el motor esté andando.
- Al conectar los cables de batería, primero conecte el cable positivo (+) y luego conecte el cable negativo (-) a la batería.
- Al cargar la batería, gire el suiche de encendido a la posición off y desconecte el cable de batería negativo (-) de la batería.
- No rocié agua directamente sobre la Unidad Electrónica de Control.

## Carga de la batería

### ⚠ ADVERTENCIA

**Mantenga las llamas abiertas y las chipas lejos de la batería; los gases procedentes de ésta son muy explosivos. Ventile bien la batería mientras se carga.**

Una batería agotada o una demasiado descargada como para poner en marcha el motor puede ser el resultado de un defecto en el sistema de carga o en otros componentes eléctricos. Si tiene dudas sobre la causa del problema, consulte a su distribuidor. Si necesita cambiar la batería, siga los pasos que se indican en la sección **Limpiar la batería y el cableado**.

Para cargar la batería, siga las instrucciones que facilita el fabricante del cargador de la batería y también todas las advertencias que se incluyen en las reglas de seguridad contenidas en este libro. Cargue la batería hasta que esté totalmente cargada. No cargue la batería a más de 10 amperios.

## Limpiar la batería y el cableado

### ⚠ ADVERTENCIA

**Cuando retire o instale los cables de la batería, desconecte el cable negativo EN PRIMER LUGAR y reconéctelo EN ÚLTIMO LUGAR. Si no se sigue este orden, el terminal positivo puede ser acortado hasta el marco por una herramienta.**

1. Desconecte los cables de la batería, en primer lugar el cable negativo (**A**, Figura 12) y, a continuación, la tapa y los cables positivos (**B**).
2. Afloje la tuerca de mariposa y la arandela (**D**).
3. Gire la varilla de soporte (**C**) hacia arriba hasta alejarla de la batería. Sujete la torre de dirección.
4. Saque la batería (**E**).
5. Limpie el compartimento de la batería con una solución de agua de soda y agua.
6. Limpie los terminales de la batería y los extremos de los cables con un cepillo y limpiador para terminal de batería hasta que reluzcan.
7. Vuelva a instalar la batería (**E**) en el compartimento de la batería. Sujétela con la varilla de soporte de la batería (**C**), la tuerca de mariposa y la arandela (**D**).
8. Vuelva a conectar los cables de la batería, en primer lugar los cables positivos y la tapa (**B**) y, a continuación, los cables negativos (**A**).
9. Recubra los extremos de los cables y los terminales de la batería con vaselina o con grasa no conductora.

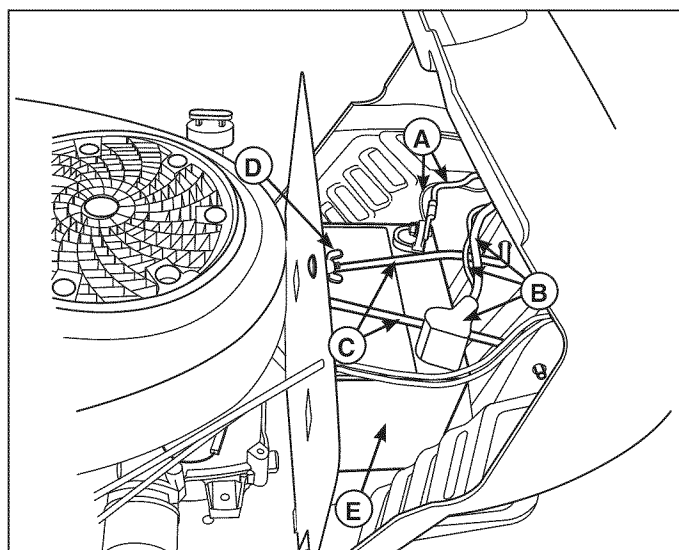


Figura 12

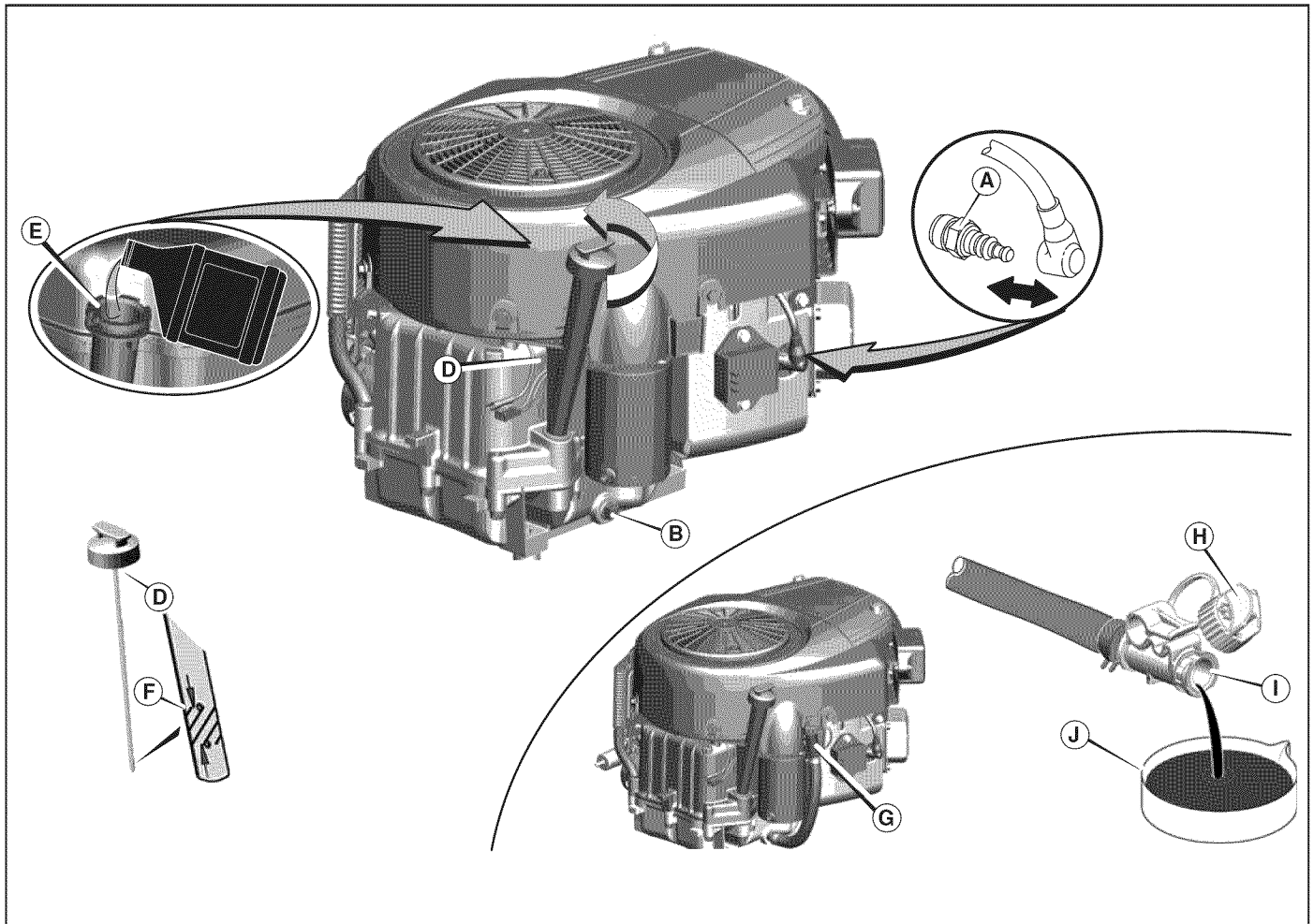


Figura 13

## Cómo cambiar el aceite

Esta unidad no tiene un freno que se pueda ajustar manualmente. Si el freno no funciona correctamente, hable con su distribuidor.

### Remoción del aceite

1. Con el motor apagado pero aún caliente, desconecte el cable de la bujía (A, Figura 13) y manténgalo a distancia de la bujía.
2. Retire la varilla indicadora de nivel de aceite (D).

### Tapón de drenaje de aceite estándar

1. Remueva el tapón de drenaje de aceite (B, Figura 13). Drene el aceite en un recipiente aprobado.
2. Después de haber drenado el aceite del motor, instale y apriete el tapón de drenaje de aceite.

### Tapón de drenaje de aceite opcional

1. Desconecte la manguera de drenaje de aceite (G, Figura 13) del lado del motor.
2. Gire y retire la tapa de drenaje del aceite (H). Cuida dosamente haga descender el drenaje rápido del aceite (I) a un recipiente aprobado (J).
3. Después de drenar el aceite, coloque y apriete la tapa de drenaje de aceite. Fije a la manguera de drenaje del aceite al lado del motor.

## Cambie el filtro de aceite

Para saber cada cuánto requiere ser reemplazado, consulte el cuadro de **Mantenimiento**.

1. Drene el aceite del motor. Consulte la sección **Remoción del aceite**.
2. Remueva el filtro de aceite (**C**, Figura 14) y deséchelo de manera adecuada.
3. Antes de instalar el nuevo filtro de aceite, lubrique un poco el empaque del filtro de aceite con aceite fresco y limpio.
4. Instale manualmente el filtro de aceite de hasta que el empaque haga contacto con el adaptador del filtro de aceite, luego apriete el filtro de aceite dándole 1/2 a 3/4 de giro.
5. Añada aceite. Consulte la sección **Aprovisionamiento de aceite**.
6. De arranque y opere el motor. A medida que el motor se caliente compruebe si hay fugas de aceite.
7. Detenga el motor y compruebe el nivel de aceite. El nivel de aceite debe alcanzar la marca FULL en la varilla indicadora de nivel de aceite.

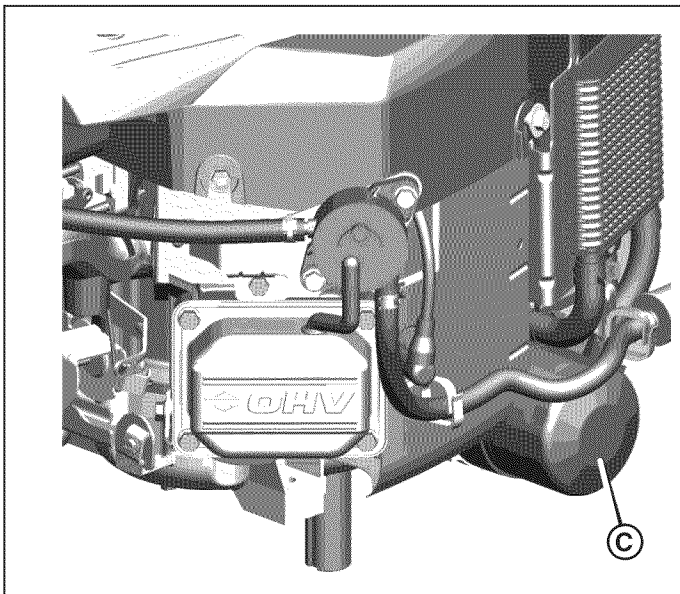


Figura 14

## Aprovisionamiento de aceite

- Coloque el motor a nivel.
  - Limpie el área de llenado de aceite de todo desecho.
  - Consulte la sección de **Especificaciones** para la capacidad de aceite.
1. Remueva la varilla indicadora de nivel de aceite (**D**, Figura 13) y límpiela con un trapo limpio.
  2. Vierta el aceite lentamente por dentro del tubo de llenado de aceite (**E**). No lo llene excesivamente. Después de aprovisionar con aceite, espere un minuto y vuelva a comprobar el nivel de aceite.
  3. Coloque y ajuste la varilla indicadora.
  4. Remueva la varilla indicadora de nivel de aceite y compruebe el nivel de aceite en la varilla. El nivel de aceite debe alcanzar la marca FULL (**F**) en la varilla indicadora de nivel de aceite.
  5. Coloque y ajuste la varilla indicadora.

## Cómo mantener el filtro de aire



### ADVERTENCIA



**El combustible y sus vapores son extremadamente inflamables y explosivos.**



**Un incendio o una explosión pueden causar graves quemaduras o la muerte.**

- Nunca arranque ú opere el motor si removió el conjunto del filtro de aire o el filtro de aire.

**NOTIFICACIÓN:** No use aire a presión ni solventes para limpiar el filtro. El aire a presión puede dañar el filtro y los solventes pueden disolverlo. El sistema del filtro de aire utiliza un cartucho plano u ovalado. Algunos modelos también incluyen un pre-filtro que se puede lavar y utilizar de nuevo.

1. Retire la cubierta (**A**, Figura 15).
2. Para retirar el filtro (**B**), levante el extremo del filtro.
3. Retire el pre-filtro (**C**), si está equipado, del filtro.
4. Para aflojar los desechos, golpee suavemente el filtro sobre una superficie dura. Si el filtro está excesivamente sucio, reemplácelo con un nuevo filtro.
5. Lave el pre-filtro en detergente líquido y agua. Luego permita que se seque completamente al aire. No aceite el pre-filtro.
6. Instale el pre-filtro seco sobre el filtro.
7. Instale el filtro sobre la base del motor (**D**) y empuje hacia abajo hasta que el filtro encaje en su lugar.
8. Instale la tapa.



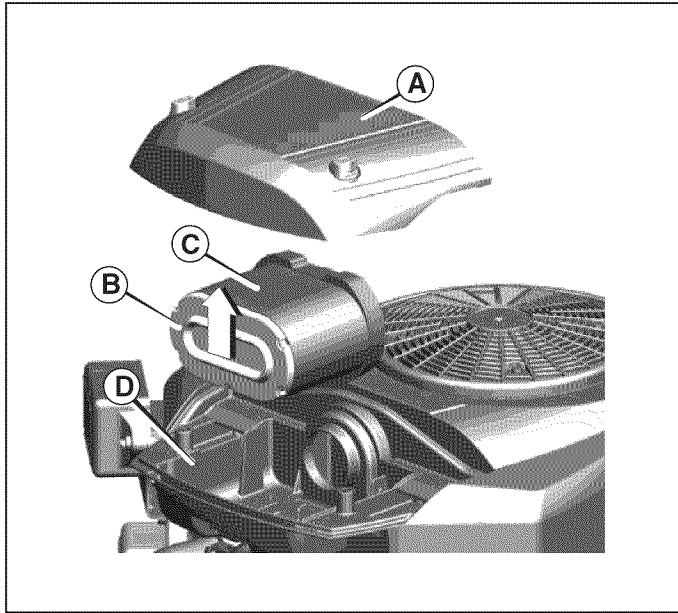


Figura 15

### Ruedas calibradoras del cortacésped

Las ruedas calibradoras del cortacésped pueden colocarse en varias posiciones en función de la altura de corte. Cuando se usen alturas de corte más altas, coloque las ruedas en la posición más inferior. Cuando se usen alturas de corte más bajas, coloque las ruedas en la posición más superior.

1. Retire la contratuerca (A, Figura 16), la rueda de calibración (B), la arandela (C) y el perno con reborde (D). Cambie la posición de la rueda calibradora a la altura deseada.
2. Inserte el perno con reborde (D) por la arandela, (C) la rueda calibradora (B) y el soporte de la rueda calibradora (E). Sujétela con la contratuerca (A). Repita los pasos 1 y 2 con todas las ruedas calibradoras.

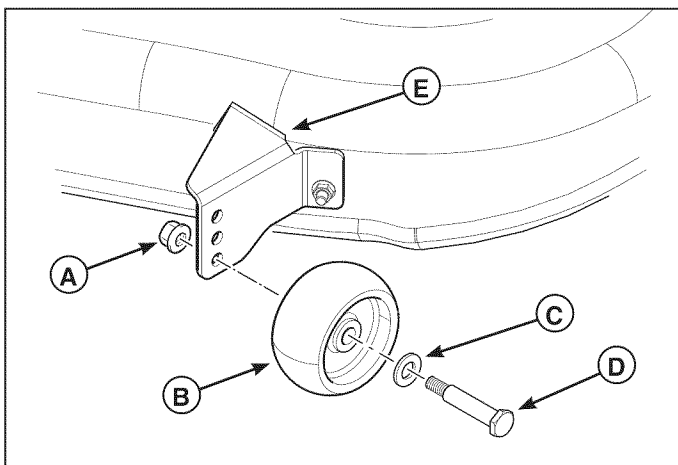


Figura 16

### Puerto de lavado de la plataforma del cortacésped

**NOTA:** El puerto de lavado le permite conectar una manguera de jardín típica al lado de corte (izquierdo) de la plataforma del cortacésped para quitar el césped y desechos de su parte inferior. Esto garantiza el funcionamiento seguro y correcto del cortacésped.

1. Coloque el tractor cortacésped sobre una superficie lisa y nivelada.

### ⚠ ADVERTENCIA

Antes de operar el cortacésped, asegúrese de que la manguera esté conectada correctamente y no toque las cuchillas. Cuando el cortacésped esté en funcionamiento y las cuchillas estén enganchadas, la persona que esté limpiando la plataforma del cortacésped debe estar en la posición del usuario y no debe haber personas cerca. Si no se siguen estas precauciones, se pueden provocar lesiones graves o la muerte.

2. Conecte el desconector rápido (A, Figura 17) en la manguera de jardín (B) y conéctela en el puerto de lavado (C) en la plataforma del cortacésped.
3. Encienda el cortacésped y colóquelo en la posición de corte más alta.
4. Deje correr agua para quitar el césped y los desechos de la parte inferior de la plataforma del cortacésped.
5. Apague el cortacésped.
6. Retire la manguera de jardín y el desconector rápido del puerto de lavado al finalizar.

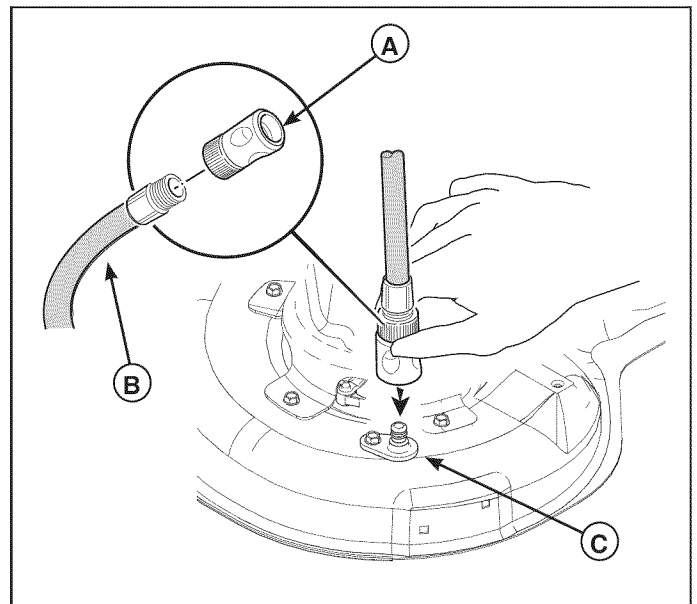


Figura 17

## Cómo quitar la plataforma del cortacéspedes

### **⚠ ADVERTENCIA**

**Accione el freno de mano, suelte la toma de fuerza, apague el motor y quite la llave antes de intentar quitar la plataforma del cortacéspedes.**

1. Estacione el tractor en una superficie dura y nivelada, como un piso de concreto. Apague el interruptor de la toma de fuerza y el motor, quite la llave y aplique el freno de mano.
2. Coloque el cortacéspedes en la posición de corte más baja utilizando el control de ajuste de altura de corte (ver **Características y Controles**).
3. Desconecte el arnés de alambre de la altura de corte.
4. Coloque el elevador de aditamentos en la posición inferior.
5. Jale la palanca de la polea libre (A, Figura 18) para liberar la tensión de la correa. Quite la correa (B) de la polea de la toma de fuerza (C).

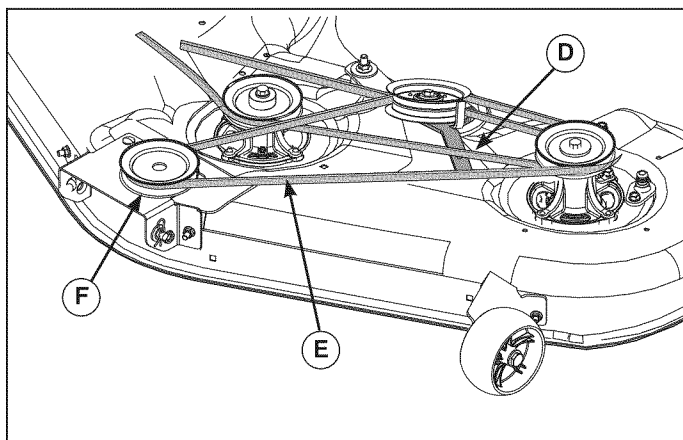


Figura 18

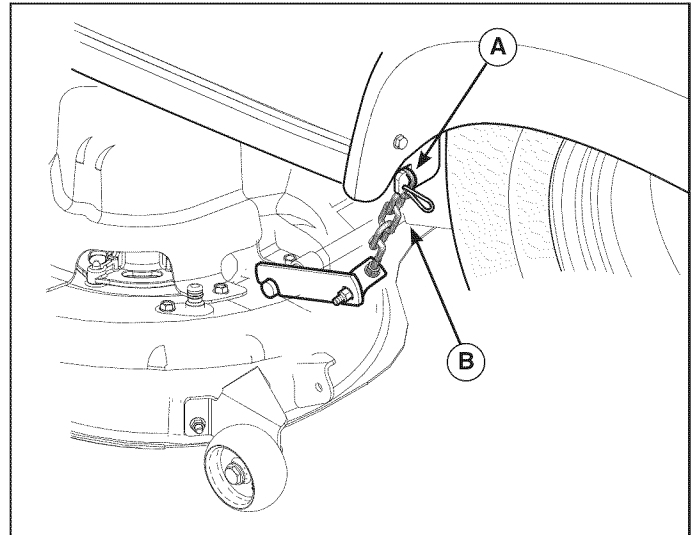


Figura 19

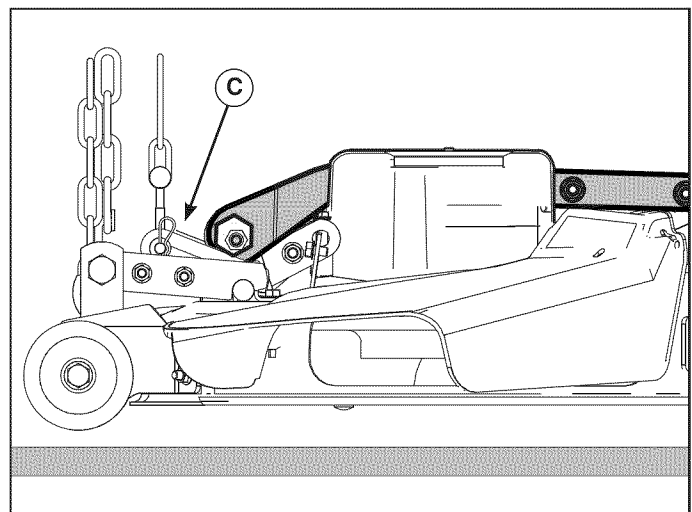


Figura 20

6. Quite el pasador de chaveta (A, Figura 19) y la cadenade elevación (B) del gancho en el marco del tractor. Repita en el otro lado.
7. Quite el pasador de chaveta y la arandela en la abrazadera de elevación interna (C, Figura 20) y desconecte el CERROJO J interno de la abrazadera. Repita en el otro lado.
8. Gire las ruedas hacia adelante. Tire hacia atrás de la palanca a resorte y levante el enganche del cortacéspedes de las abrazaderas de enganche del tractor (ver 1-2, Figura 21).
9. Gire las ruedas completamente a la izquierda, y retire la plataforma del cortacéspedes debajo del lado derecho del tractor.

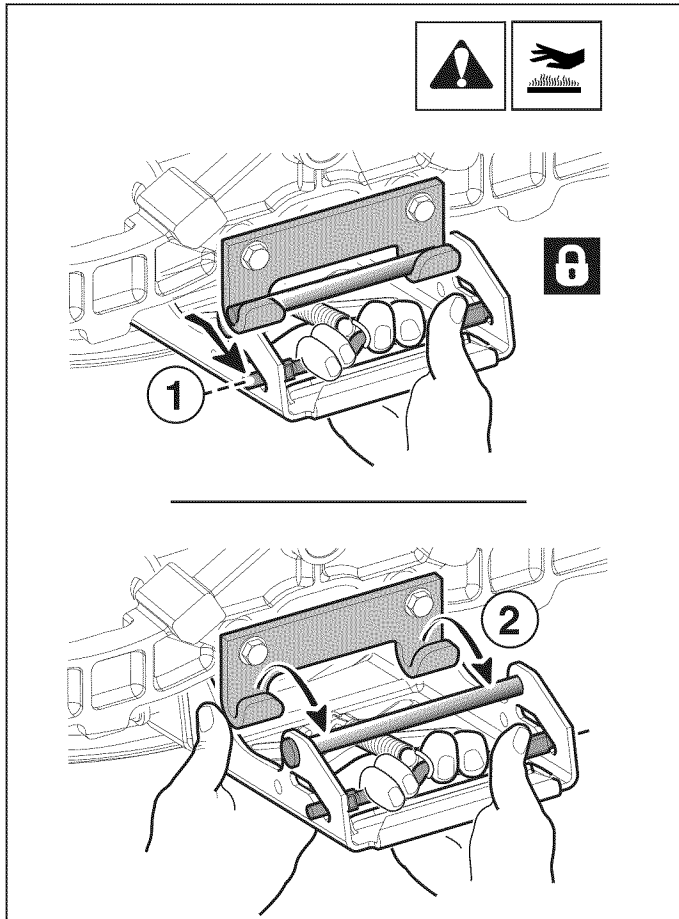


Figura 21

## Instalación de la plataforma del cortacésped

### ⚠ ADVERTENCIA

Accione el freno de mano, suelte la toma de fuerza, apague el motor y quite la llave antes de intentar instalar la plataforma del cortacésped.

1. Estacione el tractor, apague la toma de fuerza y el motor, quite la llave y aplique el freno de mano. Gire las ruedas completamente a la izquierda.
2. Coloque el elevador de aditamentos en la posición inferior (Ver **Características y Controles**). Deslice la plataforma del cortacésped bajo el lado derecho del tractor hasta que el enganche del cortacésped quede alineado con las abrazaderas de enganche delanteras del tractor.
3. Gire las ruedas hacia adelante. Tire hacia atrás de la palanca a resorte e instale el enganche del cortacésped en las abrazaderas de enganche del tractor (ver 1-2, Figura 22).

*NOTA: Cuando está apropiadamente instalada, la palanca a resorte debe asentar completamente debajo de las abrazaderas.*

4. Conecte el cerrojo J interno (F, Figura 20) a la abrazadera de elevación interna y asegure con su arandela y pasador de chaveta. Repita en el otro lado.
5. Instale la cadena de elevación (E, Figura 19) en el gancho en el marco del tractor y asegure con el pasador de chaveta (D). Repita en el otro lado.
6. Jale la palanca de la polea libre (A, Figura 18) para liberar la tensión de la correa. Instale la correa (B) en la polea de la toma de fuerza (C).
7. Coloque la elevación de los accesorios en la posición superior.
8. Conecte la clavija del arnés de alambre de la altura de corte al arnés del tractor.

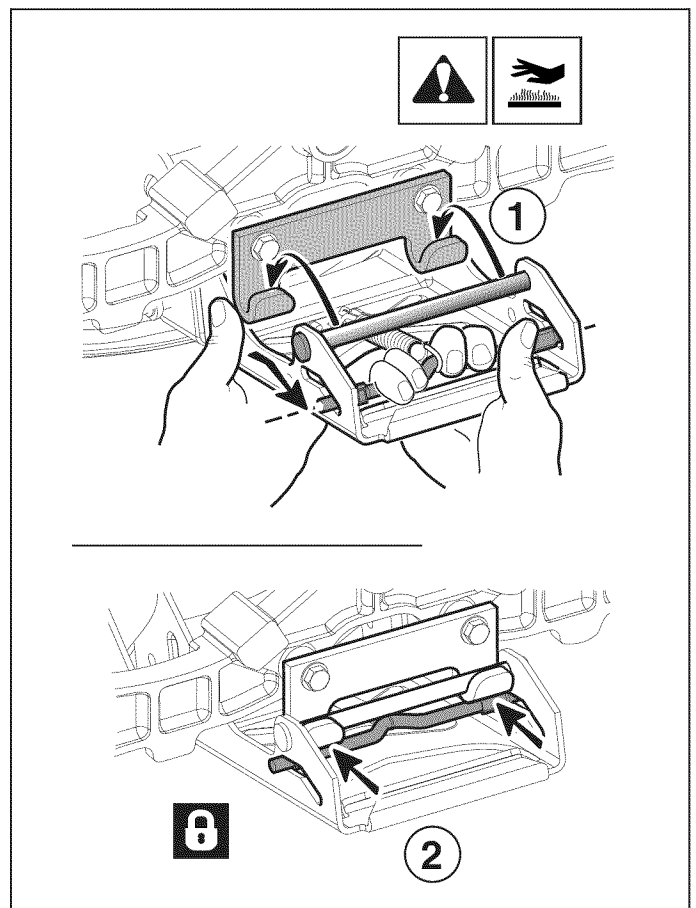


Figura 22

## Lubrique la plataforma del cortacéspedes

Lubrique las poleas en las ubicacion mostradas en la Figura 23.

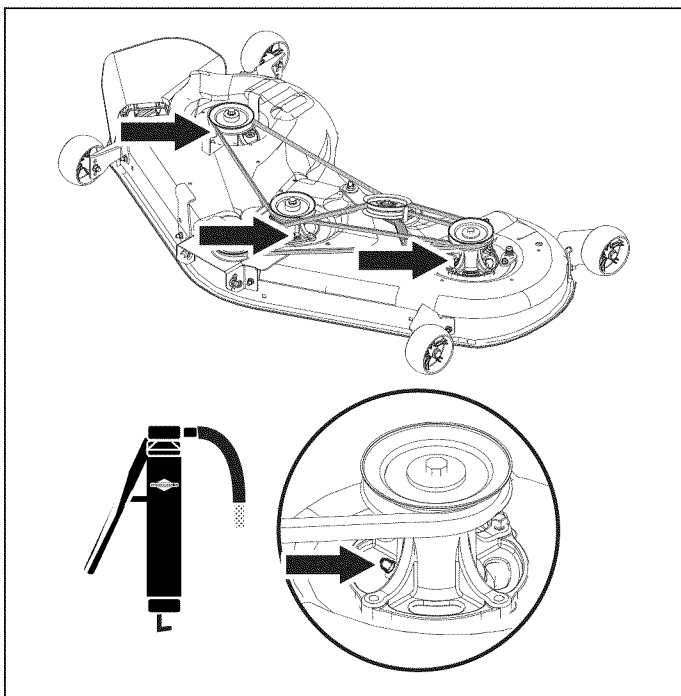


Figura 23

## Reemplazar las correas del cortacéspedes

### ⚠ ADVERTENCIA

Para evitar daños a las correas, no fuerce las correas sobre las poleas.

### Reemplazo de la correa de la toma de fuerza

1. Estacione el tractor en una superficie lisa y nivelada, como una calzada de concreto. Desconecte la toma de fuerza, apague el motor y active el freno de mano. Quite la llave.
2. Quite la plataforma del cortacéspedes (ver **Cómo quitar la plataforma del cortacéspedes**).
3. Quite los tornillos y la cubierta (A , Figura 19) del eje de la cuchilla izquierda.
4. Jale la palanca de la polea libre (B) para aliviar la tensión de la correa. Quite la correa (C) de la polea de la toma de fuerza (D).
5. Quite la correa vieja y reemplácela con una nueva. Jale la palanca de la polea libre para instalar la correa en la polea libre. Asegúrese de que el lado en forma de V de la correa corra en las ranuras de la polea.
6. Instale la plataforma del cortacésped (véase **Instalar la plataforma del cortacésped**).

## Reemplazo de la correa de la cuchilla

1. Estacione el tractor en una superficie lisa y nivelada, como un piso de concreto. Desconecte la toma de fuerza, apague el motor y active el freno de mano. Quite la llave.
2. Quite la plataforma del cortacéspedes (ver **Cómo quitar la plataforma del cortacéspedes**).
3. Quite los tornillos y las cubiertas (A, Figura 24) de los ejes de las hojas izquierda y derecha.
4. Quite la correa de la toma de fuerza (ver **Reemplazo de la correa de la toma de fuerza**).
5. Quite la correa de la cuchilla (E, Figura 25) de los ejes de las cuchillas izquierda y derecha (F y G).
6. Quite la correa vieja y reemplácela con una nueva. Asegúrese de que el lado en forma de V de la correa corra en las ranuras de la polea.
7. Vuelva a instalar la correa de la toma de fuerza.
8. Instale la plataforma del cortacéspedes (ver **Cómo instalar la plataforma del cortacéspedes**).

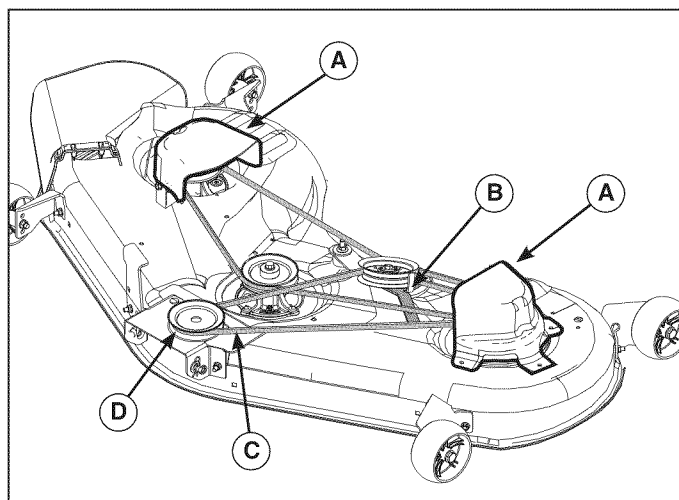


Figura 24

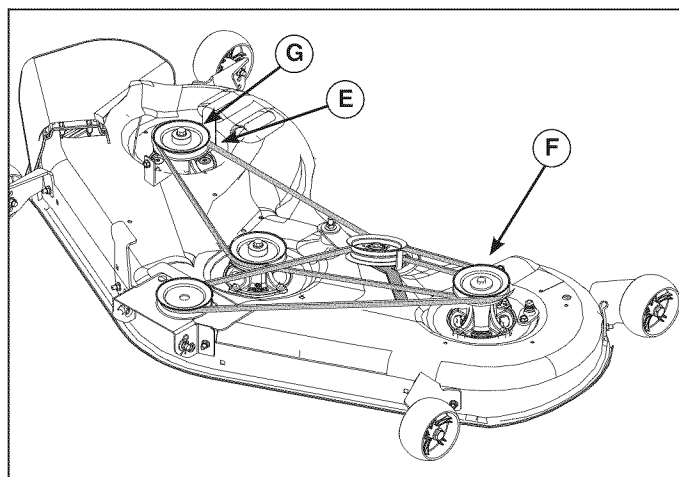


Figura 25

## Ajuste del embrague de la toma de fuerza

Verifique el ajuste del embrague de la toma de fuerza después del período inicial de 25 horas de despegue del motor y luego después de cada 250 horas de operación. También realice el procedimiento siguiente si el embrague resbala o no engancha, o si ha sido instalado un nuevo embrague.

1. Quite la llave del interruptor de encendido y desconecte los cables de las bujías para prevenir la posibilidad de un encendido accidental mientras es ajustada la toma de fuerza.
2. Note la posición de las 3 ventanas de ajuste (**A**, Figura 26) en el lado del plato de freno y las tuercas de ajuste de nilón (**B**).
3. Inserte un calibrador de 0,012 - 0,015 pulg. (0.30 - 0.38 mm) (**C**) en cada ventana, posicionando el calibrador entre la cara del rotor y la cara de la armadura como muestra la Figura 27.

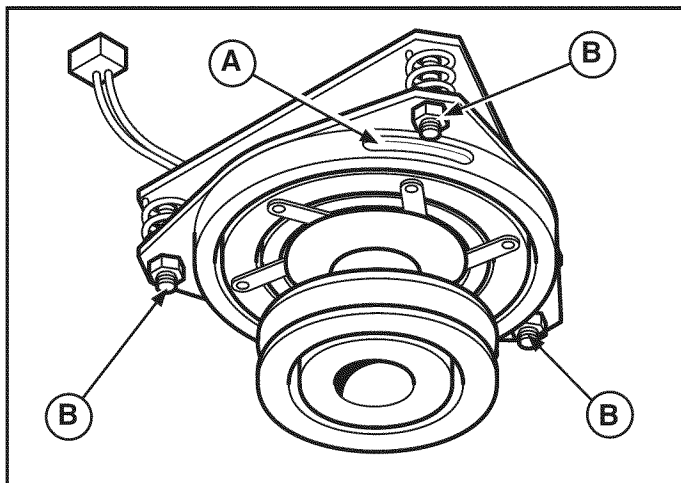


Figura 26

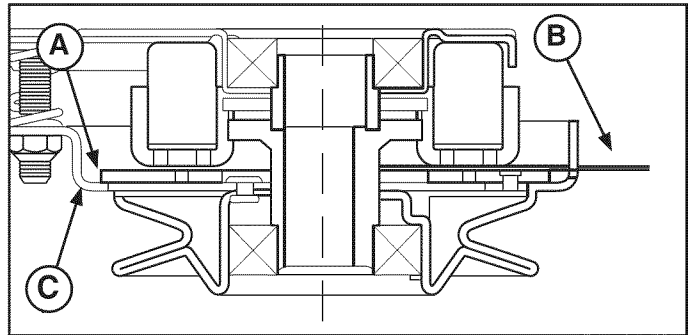


Figura 27

4. Apriete alternadamente las tuercas de ajuste (**B**, Figura 26) hasta que la cara del rotor y cara de la armadura apenas hagan contacto con el calibrador.
5. Verifique por las ventanillas que haya una cantidad igual de tensión al insertar y quitar el calibrador, y haga los ajustes necesarios apretando o aflojando las tuercas de ajuste.

*NOTA: La brecha entre el rotor y la armadura puede variar aún después de realizar el procedimiento de ajuste. Esto es debido a variaciones dimensionales en las partes que lo integran, y es una condición aceptable.*

6. Realice la **Revisión del tiempo de detención de la cuchilla del Cortacéspedes**. Las cuchillas del cortacéspedes y la correa de transmisión del cortacéspedes deben detenerse por completo dentro de los cinco segundos siguientes al apagado del interruptor de la toma de fuerza.

## Prestar servicio a las cuchillas del cortacéspedes

### ⚠ ADVERTENCIA

Para su seguridad personal, no manipule las cuchillas afiladas del cortacéspedes con las manos descubiertas. El manejo descuidado o inadecuado de las cuchillas puede tener como resultado heridas graves.

### ⚠ ADVERTENCIA

Para su seguridad personal, cada uno de los tornillos de cabeza hexagonal de montaje de las cuchillas debe ser instalado con una arandela de cabeza hexagonal o una arandela de asiento y una arandela de presión, y después firmemente apretado. El momento de torsión de los tornillos de cabeza hexagonal de montaje de las cuchillas debe ser 50-60 lbs-pie (68-81 Nm).

*NOTA: Las hojas del cortacéspedes deben ser alineadas perpendiculares entre sí.*

1. Quite la plataforma del cortacéspedes (ver **Cómo quitar la plataforma del cortacéspedes**).
2. Para quitar la cuchilla, utilice un bloque de madera para prevenir la rotación de la cuchilla al aflojar el tornillo de cabeza hexagonal (ver Figura 28).
3. Quite el tornillo de cabeza hexagonal (**A**, Figura 29), la arandela de presión (**B**) y la cuchilla.
4. Utilice una lima para afilar la cuchilla. Si la cuchilla está dañada, debe ser reemplazada.
5. Equilibre la hoja como se muestra en la Figura 30. Coloque el agujero central de la cuchilla en un clavo lubricado con una gota de aceite. Una cuchilla equilibrada quedará a nivel.
6. Vuelva a instalar la cuchilla (Figura 29) con los elevadores apuntando hacia la plataforma del cortacéspedes como se muestra.
7. Vuelva a instalar la arandela de presión (**B**) y el tornillo de cabeza hexagonal (**A**). Utilice un bloque de madera (**C**) para prevenir la rotación de la cuchilla al apretar el tornillo de cabeza hexagonal (**A**) a 50-60 libras-pie (68-81 Nm).

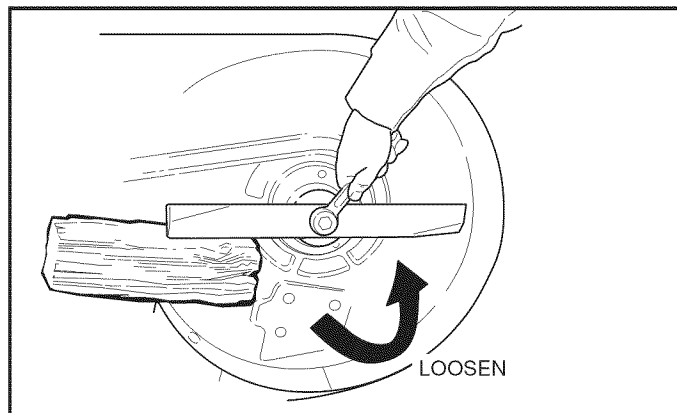


Figura 28

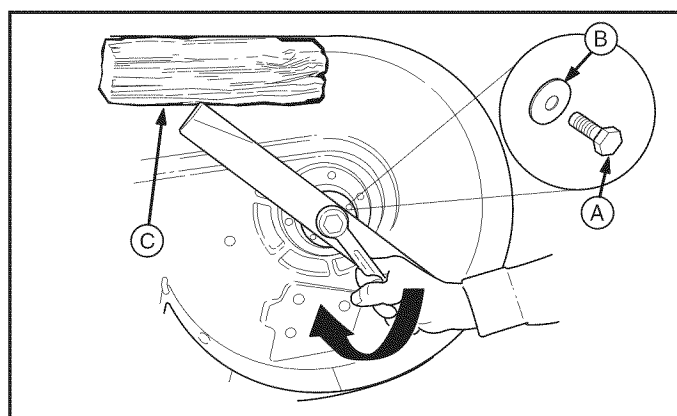


Figura 29

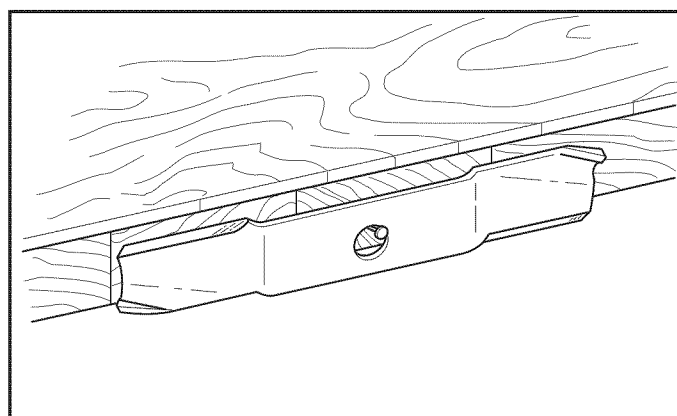


Figura 30

## Almacenaje



### **ADVERTENCIA**

**Nunca almacene la unidad (con combustible) en una estructura cerrada y con poca ventilación. Los vapores del combustible pueden trasladarse a una fuente de ignición (tal como una caldera, un calentador de agua, etc.) y causar una explosión. El vapor del combustible también es tóxico para seres humanos y animales.**

#### **Al almacenar combustible o equipos con combustible en el tanque**

- Almacenar lejos de calderas, estufas, calentadores de agua u otros aparatos con luces-piloto u otras fuentes de ignición, ya que pueden prender fuego a vapores de la gasolina.

#### **Equipo**

Desengrane el PTO, desengrane el freno de estacionamiento y retire la llave.

La vida útil de la batería será superior si se la retira. Colóquelo en un lugar fresco y seco y cárguelo por completo alrededor de una vez al mes. Si se deja la batería en la unidad, desconecte el cable negativo.

## Sistema de combustible

El combustible puede deteriorarse si permanece almacenado durante más de 30 días. El combustible deteriorado hace que se acumulen depósitos de ácido y resina en el sistema de combustible o en las piezas principales del carburador. Para que el combustible se mantenga fresco, utilice el estabilizador.

No es necesario drenar la gasolina del motor si se añade un estabilizador de combustible siguiendo las instrucciones. Haga funcionar el motor durante dos minutos para que el estabilizador circule por el sistema de combustible antes de almacenarlo.

#### **Aceite de motor**

Mientras el motor sigue estando caliente, cambie el aceite del motor. Consulte el Manual del Motor.

#### **Antes de poner en marcha la unidad después de su almacenaje:**

- Verifique todos los niveles de líquido. Verifique todos los ítems de mantenimiento.
- Realice todas las verificaciones y los procedimientos recomendados en este manual.
- Permita que el motor se caliente durante varios minutos antes de utilizarlo.

# SOLUCIÓN DE PROBLEMAS

PROBLEMA	BUSQUE	SOLUCIÓN
El motor no funciona ni arranca.	El pedal del freno no está presionado.	Presione por completo el pedal del freno.
	El interruptor de toma de fuerza (embrague eléctrico) se encuentra en la posición de ENCENDIDO.	Colóquelo en la posición de apagado.
	El control de crucero está accionado.	Mueva la perilla a la posición de NEUTRO/APAGADO.
	Combustible agotado.	Si el motor está caliente, déjelo enfriar y vuelva a llenar el depósito de combustible.
	El fusible está quemado.	Sustituya el fusible o póngase en contacto con el servicio técnico de Sears.
	Los terminales de la batería requieren limpieza.	Consulte la sección <b>Limpiar la batería y el cableado</b> .
	La batería está descargada o agotada.	Recargue o cambie la batería. Utilice Die Hard Gold n° 50785.
	El cableado está suelto o roto.	Revise visualmente el cableado. Si los cables están raídos o rotos, consulte con el distribuidor autorizado.
	Solenoides o motor de arranque defectuosos.	Póngase en contacto con el servicio técnico de Sears.
	Interruptor de interbloqueo de seguridad defectuoso.	Póngase en contacto con el servicio técnico de Sears.
	Hay agua en el combustible.	Póngase en contacto con el servicio técnico de Sears.
	La gasolina es antigua o está muy usada.	Póngase en contacto con el servicio técnico de Sears.
	El motor no arranca bien o no funciona bien.	La mezcla de combustible es demasiado rica.
El motor tiene otro problema.		Póngase en contacto con el servicio técnico de Sears.
El motor da golpes.	Bajo nivel de aceite.	Compruebe o reponga el aceite según sea necesario.
	Uso de aceite de grado incorrecto.	Consulte <b>Tabla de recomendaciones de aceite</b> .
Excesivo consumo de lubricante.	El motor se calienta demasiado al funcionar.	Póngase en contacto con el servicio técnico de Sears.
	Uso de aceite de grado incorrecto.	Consulte <b>Tabla de recomendaciones de aceite</b> .
	Exceso de aceite en el cárter.	Drene el exceso de aceite.
El tubo de escape está ennegrecido.	El filtro de aire está sucio.	Consulte la sección <b>Mantenimiento del filtro de aire</b> .
El motor funciona pero el tractor no avanza.	Los pedales del acelerador no están presionados.	Presione los pedales.
	La palanca de liberación de la transmisión se encuentra en la posición de EMPUJE.	Muévala hasta la posición de MARCHA.
	El freno de estacionamiento está accionado.	Desenganche el freno de estacionamiento.
	La correa de transmisión de tracción está rota o se resbala.	Póngase en contacto con el servicio técnico de Sears.



## Localización de fallas del tractor (continuación)

PROBLEMA	BUSQUE	SOLUCIÓN
El freno no se mantiene.	El freno interno está desgastado.	Póngase en contacto con el servicio técnico de Sears.
La dirección del tractor está dura o su manejo es deficiente.	La conexión de la dirección está suelta.	Póngase en contacto con el servicio técnico de Sears.
	Inflado incorrecto de los neumáticos.	Consulte la sección <b>Comprobar la presión de los neumáticos</b> .
	Los rodamientos del eje de la rueda delantera están secos.	Póngase en contacto con el servicio técnico de Sears.

## Localización de fallas del cortacésped

PROBLEMA	BUSQUE	SOLUCIÓN
El cortacésped no se eleva.	El varillaje de elevación no está conectado en forma adecuada o presenta daños.	Póngase en contacto con el servicio técnico de Sears.
El corte que hace el cortacésped es desigual.	El cortacésped no está bien nivelado.	Nivelación de la cortacésped. Consulte <b>Guía de Instalación</b> .
	Los neumáticos del tractor no están inflados adecuadamente.	Consulte la sección Verificación de la presión de los neumáticos.
El corte que hace el cortacésped tiene un aspecto irregular.	La velocidad del motor es demasiado lenta.	Ajústelo a toda marcha.
	La velocidad de avance es demasiado rápida.	Disminúyalo.
	El cortacésped tiene otro problema.	Póngase en contacto con el servicio técnico de Sears.
El motor se atasca fácilmente con el cortacésped en marcha.	La velocidad del motor es demasiado lenta.	Ajústelo a toda marcha.
	La velocidad de avance es demasiado rápida.	Disminúyalo.
	El filtro de aire está sucio u obstruido.	Consulte la sección <b>Mantenimiento del filtro de aire</b> .
	Altura de corte demasiado baja.	Corte el césped con la máxima altura en la primera pasada.
	Conducto de descarga atascado.	Corte césped con la descarga apuntando hacia una zona cortada previamente.
	El motor no alcanza la temperatura de funcionamiento.	Arranque el motor durante algunos minutos para calentarlo.
	Arranque del cortacésped en césped alto.	Arranque el motor en un área limpia.
Vibraciones excesivas en el cortacésped.	El cortacésped tiene otro problema.	Póngase en contacto con el servicio técnico de Sears.
El motor funciona y el tractor tiene tracción, pero el cortacésped no se mueve.	La toma de fuerza no está enganchada.	Enganche la toma de fuerza.
	El cortacésped tiene otro problema.	Póngase en contacto con el servicio técnico de Sears.

# ESPECIFICACIONES

## MOTOR

### Briggs & Stratton

Fabricado por	Briggs & Stratton®
Modelo	Professional Series™
Caballos de fuerza	26 Gross HP @ 3400 +/- 100 rpm
Desplazamiento	44,2 cu pulg. (724 cc)
Sistema eléctrico	Alternador: 16 amperios Batería: 12 voltios, 340 CCA Die Hard Gold nº 50785
Capacidad de aceite	1,9 L (64 oz)

## CHASIS

Capacidad del tanque de combustible	13,6 L (3,6 galones)
Ruedas delanteras	Dimensiones de los neumáticos: 16 x 6,50-8
Ruedas traseras	Dimensiones de los neumáticos: 23 x 10,5-12

## TRANSMISIÓN K66

Tipo	Torsión hidrostática K66
Fluido hidráulico	20w 30 Premium Engine Oil
Capacidad	2,5 L (2,6 qt)
Velocidades	Hacia delante: 9,6 km/h (0-6,1 MPH)
Velocidades a 3400 rpm	Marcha atrás: 4,8 km/h (0-3,0 MPH)
Fuerza de torsión continua	310 ft-lbs (419 Nm)

## CORTACÉSPED

Ancho de corte	132,1 cm (52")
Número de cuchillas	3
Plataforma de cubierta base	Descarga por lado
Altura de corte	2,5 y 10,2 cm (1,0 y 4,0 pulg.)
Posiciones de corte	Infinito

## MEDIDAS

Largo general	190,5 cm (75")
Ancho general	154,9 cm (61")
Altura	119,4 cm (47")

## Clasificación de Potencia

La clasificación de potencia bruta para el modelo de motor de gasolina individual está etiquetada de acuerdo con el código J1940 (Small Engine Power & Torque Rating Procedure) de la SAE (Society of Automotive Engineers), y la clasificación de rendimiento ha sido obtenida y corregida de conformidad con SAE J1995 (Revisión 2002-05). Los valores de torsión se derivan a 3060 RPM. Los valores de los caballos de fuerza se derivan a 3600 RPM. Las curvas de potencia bruta se pueden ver en [www.BRIGGSandSTRATTON.COM](http://www.BRIGGSandSTRATTON.COM). Los valores de potencia neta se obtienen con el filtro de aire y la ventilación instalados mientras que los valores de la potencia bruta se reúnen sin estos accesorios instalados. La potencia bruta efectiva del motor será superior a la de la potencia del motor y se verá afectada por, entre otros elementos, las condiciones ambientales de funcionamiento y variabilidad entre motores. Dado el amplio conjunto de productos en que se colocan los motores, el motor de gasolina no desarrollará la potencia bruta clasificada cuando se utilice en un componente de equipamiento de motor determinado. Estas diferencias son debidas a una amplia variedad de factores, incluidos, sin exclusión de otros, diferentes componentes del motor (limpiadores de aire, tubos de escape, carga, refrigeración, carburador, bomba de combustible, etc.), limitaciones de aplicación, condiciones ambientales de funcionamiento (temperatura, humedad, altitud) y la variabilidad entre motores. Debido a las limitaciones de fabricación y capacidad, Briggs & Stratton podrá sustituir una mayor potencia clasificada para este motor de serie.

## Piezas y accesorios

Consulte con su distribuidor autorizado.

# GARANTÍA

## GARANTÍA TOTAL DE FABRICACIÓN

DURANTE UN PERÍODO DE TRES AÑOS a contar desde la fecha de compra, todas las piezas no sujetas a desgaste de este equipo están garantizadas contra cualquier defecto de material o mano de obra. Cualquier pieza no sujeta a desgaste defectuosa será reparada de manera gratuita a domicilio o será reemplazada si es imposible repararla.

DURANTE UN PERÍODO DE CINCO AÑOS a contar desde la fecha de compra, el armazón y el eje delantero de este equipo están garantizados contra cualquier defecto de material o mano de obra. Un armazón o eje delantero defectuoso serán reparados de manera gratuita a domicilio o serán sustituidos si es imposible repararlos.

DURANTE UN PERÍODO DE 90 DÍAS a contar desde la fecha de compra, la batería (una pieza sujeta a desgaste) de este equipo está garantizada contra cualquier defecto de material o mano de obra (nuestras pruebas demuestran que no puede retener una carga). Una batería defectuosa será sustituida a domicilio de manera totalmente gratuita.

GARANTÍA LIMITADA DE POR VIDA ADICIONAL PARA EL EJE DELANTERO DE HIERRO FUNDIDO (si el equipo está equipado con él).

El eje delantero de hierro fundido (si el equipo está equipado con el mismo) de este equipo está garantizado contra cualquier defecto de material o mano de obra DURANTE TODO EL TIEMPO QUE SEA USADO por el propietario original después del quinto año a partir de la fecha de compra. Con el justificante de compra, un eje delantero de hierro fundido defectuoso será sustituido a domicilio de manera totalmente gratuita.

## SERVICIO DE GARANTÍA

Para obtener más detalles sobre la cobertura de la garantía y sobre cómo obtener una reparación gratuita o una sustitución, llame al 1-800-659-5917 o visite el sitio web. [www.craftsman.com](http://www.craftsman.com).

En todos los casos anteriores, si la reparación o la sustitución no son posibles, el equipo será sustituido de manera gratuita con el mismo modelo o un modelo equivalente.

Toda la cobertura de la garantía anterior quedará anulada si este equipo se utiliza alguna vez para proporcionar servicios comerciales o si se alquila a otra persona.

Esta garantía SOLAMENTE cubre defectos de material y fabricación. La cobertura de la garantía NO incluye:

- Piezas sujetas a desgaste (con la excepción de la batería) que puedan desgastarse como consecuencia del uso normal dentro del período de garantía, entre las que figuran, entre otras, cuchillas, bujías, purificadores de aire, correas y filtros de aceite.
- Servicio de mantenimiento normal, cambios de aceite o puestas a punto.
- Sustitución o reparación de neumáticos debido a pinchazos por objetos exteriores, como clavos, espinas, troncos cortados o cristales.
- Sustitución o reparación de neumáticos o ruedas como consecuencia del desgaste, accidentes, o un mantenimiento o funcionamiento inadecuados.
- Reparaciones necesarias debido al abuso del operador, incluidos, entre otros, daños provocados por remolcar objetos que sobrepasen la capacidad del equipo, objetos que al impactar doblen el bastidor, el conjunto del eje o el cigüeñal, o sobrepasar la velocidad del motor.
- Reparaciones necesarias debido a la negligencia del operador, incluidos, entre otros, daños mecánicos o eléctricos provocados por un almacenamiento inadecuado, no utilizar el tipo o la cantidad correcta de aceite de motor, no mantener la cubierta sin desperdicios inflamables o no mantener al equipo de acuerdo con las instrucciones que se incluyen en el manual del usuario.
- Reparaciones o limpiezas del motor (sistema de combustible) provocadas por combustible que se determine que está contaminado u oxidado (deteriorado). En general, se debe utilizar el combustible antes de que transcurran 30 días desde la fecha de compra.
- Desgaste y deterioro normal de los acabados exteriores o sustitución de la etiqueta del producto.

Esta garantía le otorga derechos legales específicos y también podría ejercer otros derechos que varían de estado en estado.

Sears Brands Management Corporation, Hoffman Estates, IL 60179

# ACUERDOS DE PROTECCIÓN PARA REPARACIONES

*Felicitaciones por su compra inteligente.*

Su nuevo producto Craftsman® fue diseñado y fabricado para años de funcionamiento confiable. Pero como todos los productos, puede requerir reparación de vez en cuando. Ese es el momento en que un Acuerdo de Protección para Reparaciones puede ahorrarle dinero y dolores de cabeza.

## **Esto es lo que el Acuerdo de Protección para Reparaciones\* incluye:**

- ☑ **Servicio especializado** por nuestros 10,000 especialistas en reparaciones profesionales
- ☑ **Servicio ilimitado y sin cargo** para piezas y mano de obra para todas las reparaciones cubiertas
- ☑ **Sustitución de producto** por hasta \$1500, si no es posible reparar su producto cubierto
- ☑ **Descuento del 10%** sobre el precio normal de servicio y piezas instaladas relacionadas no cubiertas por el acuerdo; asimismo, 10% de descuento sobre el precio normal de chequeo de mantenimiento preventivo
- ☑ **Ayuda rápida telefónica** – la llamamos Resolución Rápida – soporte telefónico brindado por un representante de Sears. Piense en nosotros como un "manual del propietario hablante".

Una vez que compre el Acuerdo de Protección para Reparaciones, sólo necesita hacer una simple llamada telefónica para programar el servicio. Puede llamar a cualquier hora del día o de la noche, o programar una cita de servicio en Internet.

El Acuerdo de Protección para Reparaciones es una compra sin riesgos. Si, por cualquier motivo, cancela durante el periodo de garantía del producto, le daremos un reembolso integral. O, un reembolso prorrateado en cualquier momento, después del vencimiento del periodo de garantía. ¡Compre su Acuerdo de Protección para Reparaciones hoy mismo!

**Corresponden algunas limitaciones y exclusiones. Para precios e información adicional en EE.UU., llame al 1-800-827-6655.**

**\*La cobertura en Canadá varía en algunos artículos. Para detalles completos, llame a Sears Canadá al 1-800-361-6665.**

## **Servicio de Instalación Sears.**

*Para la instalación profesional Sears* de aparatos electrodomésticos, abridores de puertas de garaje, calderas de agua y otros artículos domésticos importantes, en EE.UU. o Canadá, llame al **1-800-4-MY-HOME®**.







# Get it fixed, at your home or ours!

## Your Home

For troubleshooting, product manuals and expert advice:



[www.managemylife.com](http://www.managemylife.com)

For repair – **in your home** – of **all** major brand appliances, lawn and garden equipment, or heating and cooling systems, **no matter who made it, no matter who sold it!**

For the replacement parts, accessories and owner's manuals that you need to do-it-yourself.

For Sears professional installation of home appliances and items like garage door openers and water heaters.

**1-800-4-MY-HOME®** (1-800-469-4663)

Call anytime, day or night (U.S.A. and Canada)

[www.sears.com](http://www.sears.com)    [www.sears.ca](http://www.sears.ca)

## Our Home

For repair of carry-in items like vacuums, lawn equipment, and electronics, call anytime for the location of your nearest

**Sears Parts & Repair Service Center**

**1-800-488-1222** (U.S.A.)

[www.sears.com](http://www.sears.com)

**1-800-469-4663** (Canada)

[www.sears.ca](http://www.sears.ca)

To purchase a protection agreement on a product serviced by Sears:

**1-800-827-6655** (U.S.A.)

**1-800-361-6665** (Canada)

Para pedir servicio de reparación a domicilio, y para ordenar piezas:

**1-888-SU-HOGAR®**

(1-888-784-6427)

[www.sears.com](http://www.sears.com)

Au Canada pour service en français:

**1-800-LE-FOYER<sup>MC</sup>**

(1-800-533-6937)

[www.sears.ca](http://www.sears.ca)

The Sears logo, consisting of the word "sears" in a lowercase, sans-serif font.

© Registered Trademark / <sup>TM</sup> Trademark of KCD IP, LLC in the United States, or Sears Brands, LLC in other countries

© Marca Registrada / <sup>TM</sup> Marca de Fábrica de KCD IP, LLC en Estados Unidos, o Sears Brands, LLC in otros países

<sup>MC</sup> Marque de commerce / <sup>MD</sup> Marque déposée de Sears Brands, LLC