

# Operator's Manual

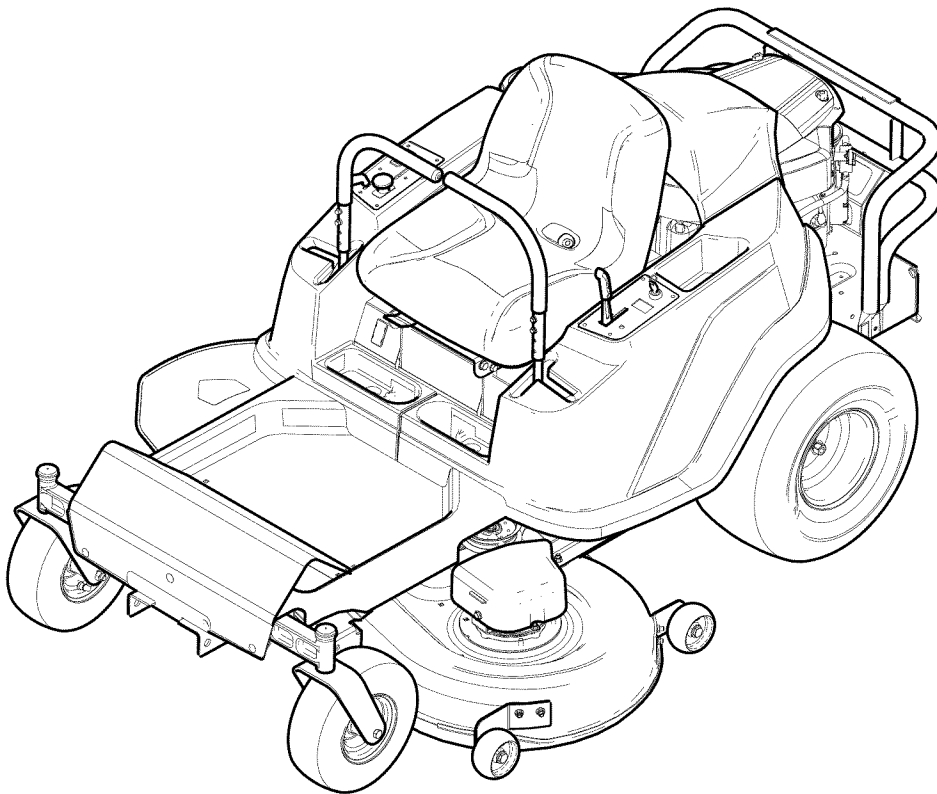


## ZTS 7000

Zero-Turn Rear Engine Rider with Electric Start

Model No.

**107.280060 (21HP Briggs & Stratton Engine with 42" Mower)**



**CAUTION:** Before using this product, read the manual and follow all its Safety Rules and Operating Instructions.

For answers to your questions about this product, call:

**1-800-659-5917**

**Sears Craftsman Help Line**

5 am - 5 pm, Mon - Sat

Sears Brands Management Corporation, Hoffman Estates, IL 60179 U.S.A.

Visit our Craftsman website: [www.craftsman.com](http://www.craftsman.com)

**Thank you** for purchasing this quality-built CRAFTSMAN mower. We're pleased that you've placed your confidence in the CRAFTSMAN brand. When operated and maintained according to the instructions in this manual, your CRAFTSMAN product will provide many years of dependable service.

This manual contains safety information to make you aware of the hazards and risks associated with mowers and how to avoid them. This product and its approved attachments/accessories are designed and intended only for lawn work or snow removal and are not intended for any other purpose. It is important that you read and understand these instructions thoroughly before attempting to start or operate this equipment. **Save these original instructions for future reference.**

## **Where to Find Us**

You never have to look far to find support and service for your CRAFTSMAN mower. There are authorized service dealers in North America who provide quality service. You can contact Customer Service by phone at (800) 659-5917, or locate a dealer on the Internet at [www.craftsman.com](http://www.craftsman.com).

## **Mower**

Model Number \_\_\_\_\_

Serial Number \_\_\_\_\_

## **Engine**

Model Type Trim \_\_\_\_\_

Date Code \_\_\_\_\_

**Date Purchased** \_\_\_\_\_

# TABLE OF CONTENTS

<b>Operator Safety</b> .....	<b>4</b>	<b>Adjustments and Service</b> .....	<b>23</b>
<b>Features and Controls</b> .....	<b>13</b>	Seat Adjustments .....	23
Control Functions .....	13	Ground Speed Lever Adjustment .....	23
<b>Operation</b> .....	<b>15</b>	Speed Balancing Adjustment .....	23
General Operating Safety .....	15	Cutting Height Adjustment .....	24
Checks Before Starting .....	15	Mower Removal and Installation .....	24
Starting the Engine .....	16	Check Mower Blade Stopping Time .....	25
Stopping the Rider and Engine .....	16	Cleaning the Battery and Cables .....	26
Mowing .....	16	Battery Charging .....	26
Pushing the Rider by Hand .....	16	<b>Troubleshooting</b> .....	<b>27</b>
Zero Turn Driving Practice .....	17	Troubleshooting the Rider .....	27
Attaching a Trailer .....	19	Troubleshooting the Mower .....	28
<b>Maintenance</b> .....	<b>20</b>	<b>Specifications</b> .....	<b>29</b>
Maintenance Chart .....	20	<b>Warranty</b> .....	<b>30</b>
Checking Tire Pressures .....	21	<b>Repair Protection Agreement</b> .....	<b>31</b>
Checking/Adding Fuel .....	21		
Fuel Filter .....	21		
Engine Maintenance .....	21		
Storage .....	22		

# OPERATOR SAFETY



## Operating Safety

Congratulations on purchasing a superior-quality piece of lawn and garden equipment. Our products are designed and manufactured to meet or exceed all industry standards for safety.

Do not operate this machine unless you have familiarized yourself with it. Reading and understanding this operator's manual is a way to do just that.

Power equipment is only as safe as the operator. If it is misused, or not properly maintained, it can be dangerous! Remember, you are responsible for your safety and that of those around you.

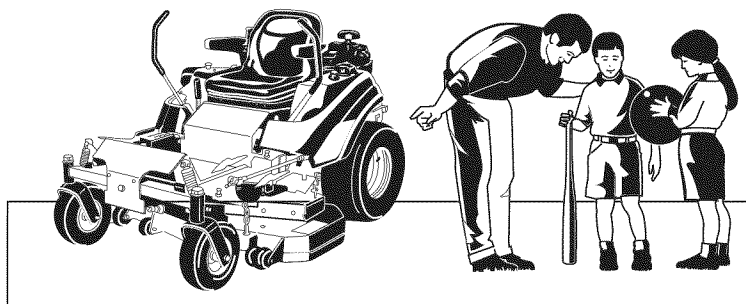
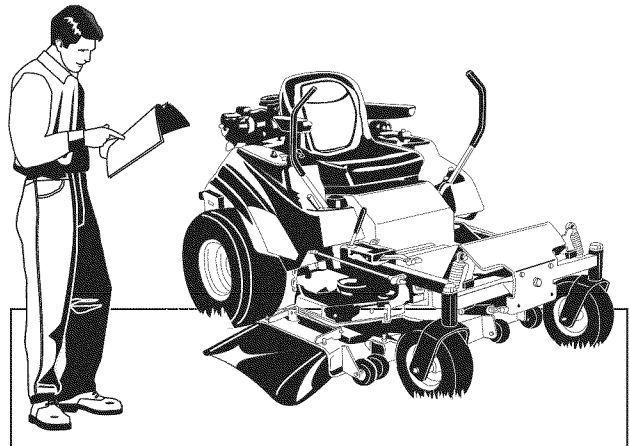
Use common sense, and think through what you are doing. If you are not sure that the task you are about to perform can be safely done with the equipment you have chosen, ask a professional: contact your local authorized dealer.

## Read the Manual

The operator's manual contains important safety information you need to be aware of **BEFORE** you operate your unit as well as **DURING** operation.

Safe operating techniques, an explanation of the product's features and controls, and maintenance information is included to help you get the most out of your equipment investment.

Be sure to completely read the Safety Rules and Information found on the following pages. Also completely read the Operation section.



## Children

Tragic accidents can occur with children. Do not allow them anywhere near the area of operation. Children are often attracted to the unit and mowing activity. Never assume that children will remain where you last saw them. If there is a risk that children may enter the area where you are mowing, have another responsible adult watch them.

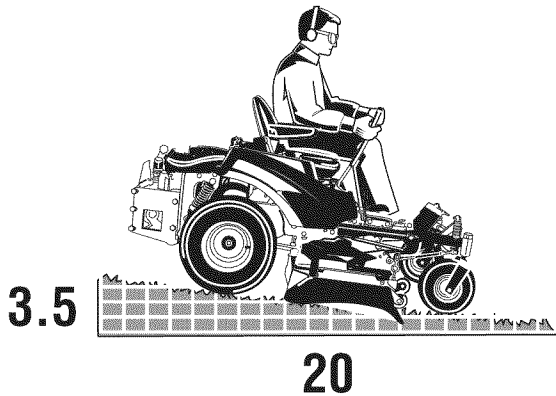
## Slope Operation

Operation on slopes can be dangerous. Using the unit on a slope that is too steep where you do not have adequate wheel traction (and control) can cause sliding, loss of steering, control, and possible rollover. You should not operate on a slope greater than a 3.5 foot rise over a 20 foot length (10 degrees).

Always mow up and down slopes, not across, and avoid sudden turns or rapid speed changes. Reduce speed and use extreme caution on ALL slopes.

Also, note that the surface condition you are on can greatly impact your ability to safely operate this machine. Operating on wet or slippery slopes can cause sliding and loss of steering and control. Do not operate on slopes that are slippery, wet, or have soft soil conditions.

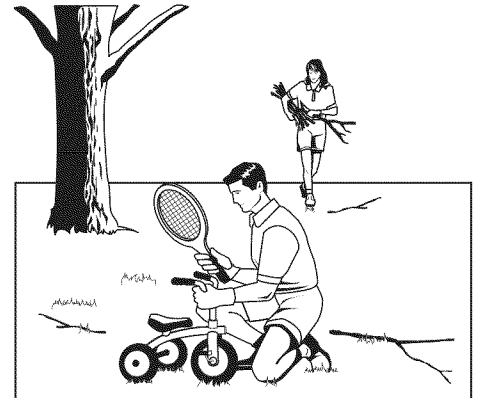
If you feel unsure about operating the unit on a slope, don't do it. It's not worth the risk.



## Thrown Objects

This unit has spinning mower blades. These blades can pick up and throw debris that could seriously injure a bystander. Be sure to clean up the area to be mowed and remove objects that could be thrown by the blade **BEFORE** you start mowing. Do not operate this unit without the entire grass catcher or discharge guard (deflector) in place.

Also, do not allow anyone in the area while the unit is running! If someone does enter the area, shut the unit off immediately until they leave.

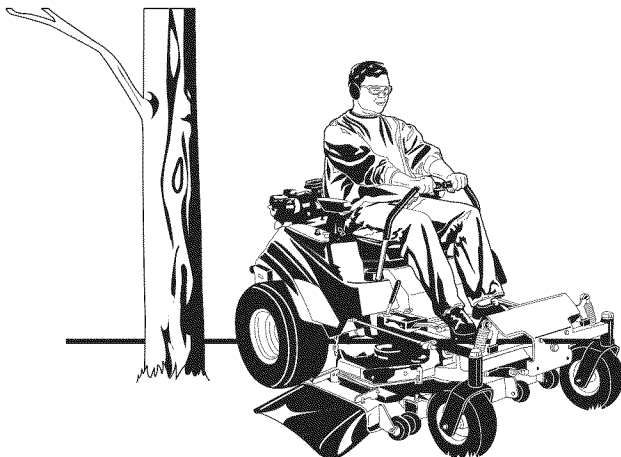


## Moving Parts

This equipment has many moving parts that can injure you or someone else. However, if you stay in the operator zone (stay seated in the seat), and follow the safety rules in this operator's manual, the unit is safe to operate.

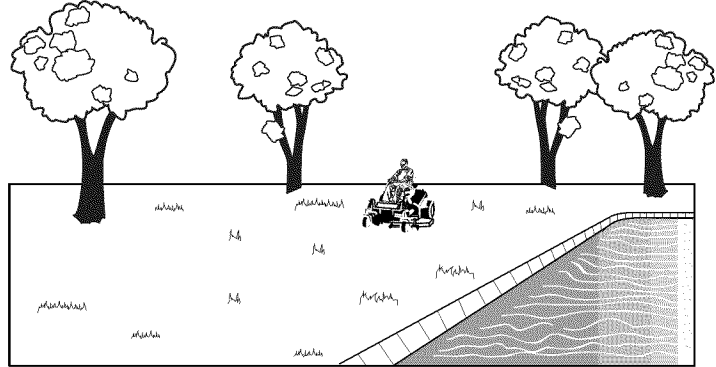
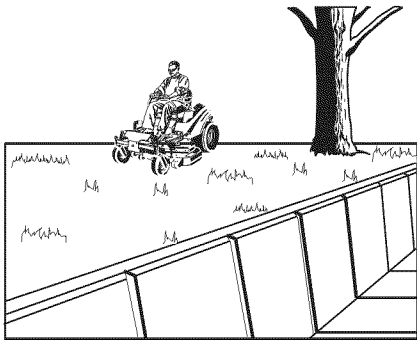
The mower deck has spinning mower blades that can amputate hands and feet. Do not allow anyone near the unit while it is running! Keep safety devices (guards, shields, and switches) in place and working.

To help you, the operator, use this equipment safely, it is equipped with an operator-present safety system. Do **NOT** attempt to alter or bypass the system. See your dealer immediately if the system does not pass all the safety interlock system tests found in this manual



## Retaining Walls, Drop-Offs, and Water

Retaining walls and drop-offs around steps and water are a common hazard. Give yourself a minimum of two mower widths of clearance around these hazards and hand-trim with a walk behind mower or string trimmer. Wheels dropping over retaining walls, edges, ditches, embankments, or into water can cause rollovers, which may result in serious injury, death, or drowning.



## Fuel and Maintenance

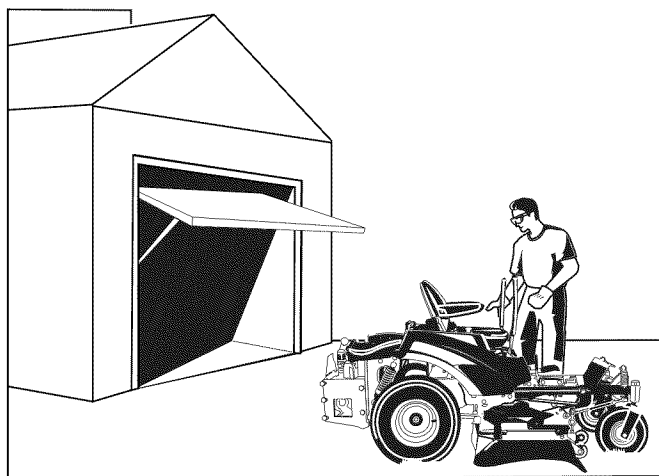
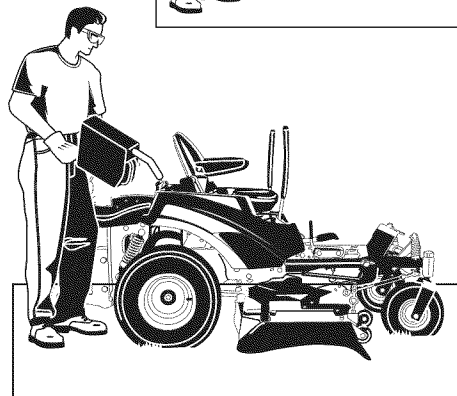
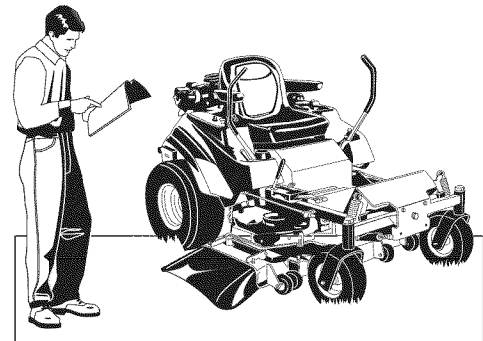
Always disengage all drives, shutoff the engine, and remove the key before doing any cleaning, refueling, or servicing.

Gasoline and its vapors are extremely flammable. Do not smoke while operating or refueling. Do not add fuel while engine is hot or running. Allow engine to cool for at least 3 minutes prior to adding fuel.

Do not add fuel indoors, in an enclosed trailer, garage, or any other enclosed area that is not well ventilated. Gasoline spills should be cleaned up promptly and before operation begins.

Gasoline should be stored only in sealed containers approved for fuel.

Proper maintenance is critical to the safety and performance of your unit. Keep the unit free of grass, leaves, and excess oil. Be sure to perform the maintenance procedures listed in this manual, especially periodically testing the safety system.



## Enclosed Areas

Only operate this unit outdoors and away from unventilated areas such as inside garages or enclosed trailers. The engine emits poisonous carbon monoxide gas and prolonged exposure in an enclosed area can result in serious injury or death.

**WARNING:** This powerful cutting machine is capable of amputating hands and feet and can throw objects that can cause injury and damage! Failure to comply with the following **SAFETY** instructions could result in serious injury or death to the operator or other persons. The owner of the machine must understand these instructions and must allow only persons who understand these instructions to operate machine. Each person operating the machine must be of sound mind and body and must not be under the influence of any substance, which might impair vision, dexterity or judgment. If you have any questions pertaining to your machine which your dealer cannot answer to your satisfaction, contact the Customer Service Department.

### Protection for Children

Tragic accidents can occur if the operator is not alert to the presence of children. Children are often attracted to the machine and the mowing activity. Children who have been given rides in the past may suddenly appear in the mowing area for another ride and be run over or backed over by the machine. Never assume that children will remain where you last saw them.

1. KEEP children out of the mowing area and under the watchful care of a responsible adult other than the operator.
2. DO NOT allow children in yard when machine is operated (even with the blade OFF).
3. DO NOT allow children or others to ride on machine, attachments or towed equipment (even with the blades OFF). They may fall and be seriously injured.
4. DO NOT allow pre-teenage children to operate machine.
5. ALLOW only responsible adults & teenagers with mature judgment under close adult supervision to operate machine.
6. DO NOT operate blades in reverse. STOP BLADES. LOOK and SEE behind and down for children, pets and hazards before and while backing.
7. USE EXTRA CARE when approaching blind corners, shrubs, trees, or other objects that may obscure vision.

### Protection Against Tipovers

Slopes are a major factor related to loss-of-control and tip-over accidents, which can result in severe injury or death. All slopes require extra CAUTION. If you cannot back up the slope or if you feel uneasy on the slope, DO NOT mow it. Use extra care with grass catchers or other attachments; these affect the handling and the stability of the machine.

1. DO NOT operate machine on slopes exceeding 10 degrees (18% grade).
2. Exercise EXTREME CAUTION on all slopes. Turn blades OFF when traveling uphill. Use a slow speed and avoid sudden or sharp turns.
3. DO NOT operate machine back and forth across face of slopes. Operate up and down. Practice on slopes with blades off.
4. AVOID starting, stopping or turning on slopes. If machine stops going uphill or tires lose traction, turn blades OFF and back slowly straight down the slope.
5. STAY ALERT for holes and other hidden hazards. Tall grass can hide obstacles. Keep away from ditches, washouts, culverts, fences and protruding objects.

### Protection Against Tipovers

(Continued From Previous Column)

6. KEEP A SAFE DISTANCE (at least 3 feet) away from edge of ditches and other drop offs. The machine could turn over if an edge caves in.
7. Always begin forward motion slowly and with caution.
8. Use weights or a weighted load carrier in accordance with instructions supplied with a grass catcher. DO NOT operate machine on slopes exceeding 10 degrees (18% grade) when equipped with grass catcher.
9. DO NOT put your foot on the ground to try to stabilize the machine.
10. DO NOT operate machine on wet grass. Reduced traction could cause sliding.
11. Chose a low enough speed setting so that you will not have to stop or shift on a slope. Tires may lose traction on slopes even though the brakes are functioning properly.
12. DO NOT operate machine under any condition where traction, steering or stability is doubtful.
13. Always keep the machine in gear when going down slopes. DO NOT shift to neutral (or actuate hydro roll release) and coast downhill.

### Preparation

1. Read, understand, and follow instructions and warnings in this manual and on the machine, engine and attachments. Know the controls and the proper use of the machine before starting.
2. Only mature, responsible persons shall operate the machine and only after proper instruction.
3. Data indicates that operators age 60 and above, are involved in a large percentage of mower-related injuries. These operators should evaluate their ability to operate the mower safely enough to protect themselves and others from serious injury.
4. Handle fuel with extra care. Fuels are flammable and vapors are explosive. Use only an approved fuel container. DO NOT remove fuel cap or add fuel with engine running. Add fuel outdoors only with engine stopped and cool. Clean spilled fuel from machine. DO NOT smoke.
5. Practice operation of machine with BLADES OFF to learn controls and develop skills.

## Preparation

(Continued From Previous Page)

6. Check the area to be mowed and remove all objects such as toys, wire, rocks, limbs and other objects that could cause injury if thrown by blade or interfere with mowing.
7. Keep people and pets out of mowing area. Immediately STOP blades, STOP engine, and STOP machine if anyone enters the area.
8. Check shields, deflectors, switches, blade controls and other safety devices frequently for proper operation and location.
9. Make sure all safety decals are clearly legible. Replace if damaged.
10. Protect yourself when mowing and wear safety glasses, long pants and substantial footwear.
11. Know how to STOP blades and engine quickly in preparation for emergencies.
12. Use extra care when loading or unloading the machine into a trailer or truck.
13. Check grass catcher components frequently for signs of wear or deterioration and replace as needed to prevent injury from thrown objects going through weak or worn spots.

## Safe Handling of Gasoline

To avoid personal injury or property damage, use extreme care in handling gasoline. Gasoline is extremely flammable and the vapors are explosive.

1. Extinguish all cigarettes, cigars, pipes and other sources of ignition.
2. Use only an approved fuel container.
3. DO NOT remove fuel cap or add fuel with the engine running. Allow the engine to cool before refueling.
4. DO NOT refuel the machine indoors.
5. DO NOT store the machine or fuel container inside where there is an open flame, spark or pilot light such as on a water heater or other appliances.
6. DO NOT fill fuel containers inside a vehicle or on a truck or trailer bed with a plastic liner. Always place the containers on the ground away from the vehicle before filling.
7. Remove gas-powered equipment from the vehicle or trailer and refuel it on the ground. If this is not possible, then refuel equipment using a portable container, rather than a gasoline dispenser nozzle.
8. DO NOT start gas powered equipment in enclosed vehicles or trailers.
9. Keep the nozzle in contact with the rim of the fuel tank or container opening at all times until fueling is complete. DO NOT use a nozzle lock-open device
10. If fuel is spilled on clothing, change clothing immediately.
11. Never overfill a fuel tank. Replace fuel cap and tighten securely.

## OPERATION

1. Mount and dismount machine from left side. Keep clear of discharge opening at all times.
2. Start engine from operator's seat, if possible. Make sure blades are OFF and parking brake is set.

3. DO NOT leave machine with engine running. STOP engine, STOP blades, SET brake, and Remove key before leaving operators position of any reason.
4. DO NOT operate machine unless properly seated with feet on feet rests or pedal(s).
5. STOP BLADES and ENGINE and make sure blades have stopped before removing grass catcher or unclogging mower to prevent loss of fingers or hand.
6. Blades must be OFF except when cutting grass. Set blades in highest position when mowing over rough ground.
7. Keep hands and feet away from rotating blades underneath deck. DO NOT place foot on ground while BLADES are ON or machine is in motion.
8. DO NOT operate machine without entire grass catcher or guards in place and working. DO NOT point discharge at people, passing cars, windows or doors.
9. Slow down before turning.
10. Watch out for traffic when near or crossing roadways.
11. STOP engine immediately after striking an obstruction. Inspect machine and repair damage before resuming operation.
12. Operate machine only in daylight or with good artificial light.
13. Move joystick (if equipped) SLOWLY to maintain control during speed and directional changes.
14. Exercise CAUTION when pulling loads. Limit loads to those you can safely control and attach loads to hitch plate as specified with attachment instructions.
15. On slopes, the weight of the towed equipment may cause loss of traction and loss of control. When towing, travel slowly and allow extra distance to stop.
16. DO NOT operate engine in enclosed areas. Engine exhaust gases contain carbon monoxide, a deadly poison.
17. DO NOT discharge material against a wall or obstruction. Material may ricochet back towards the operator.
18. Only use accessories approved by the manufacturer. See manufacturer's instructions for proper operation and installation of accessories.

## Emissions

1. Engine exhaust from this product contains chemicals known, in certain quantities, to cause cancer, birth defects, or other reproductive harm.
2. Look for the relevant Emissions Durability Period and Air Index information on the engine emissions label.

## Ignition System

1. This spark ignition system complies with Canadian ICES-002.



## Towing

1. Tow only with a machine that has a hitch designed for towing. DO NOT attach towed equipment except at the hitch point.
2. Follow the manufacturer's recommendation for weight limits for towed equipment and towing on slopes.
3. DO NOT allow children or others on towed equipment.
4. On slopes, the weight of the towed equipment may cause loss of traction and loss of control.
5. Travel slowly and allow extra distance to stop.

## Maintenance

1. DO NOT store machine or fuel container inside where fumes may reach an open flame, spark or pilot light such as in a water heater, furnace, clothes dryer or other gas appliance. Allow engine to cool before storing machine in an enclosure. Store fuel container out of the reach of children in a well ventilated, unoccupied building.
2. Keep engine free of grass, leaves or excess grease to reduce fire hazard and engine overheating.
3. When draining fuel tank, drain fuel into an approved container outdoors and away from open flame.
4. Check brakes frequently; adjust, repair or replace as needed.
5. Keep all bolts, nuts and screws properly tight. Check that all cotter pins are in proper position.

## Maintenance

(Continued From Previous Column)

6. Always provide adequate ventilation when running engine. Exhaust gases contain carbon monoxide, an odorless and deadly poison.
7. Disconnect negative (black) cable from battery before performing maintenance or service. Cranking engine could cause injury.
8. DO NOT work under machine without safety blocks.
9. Service engine and make adjustments only when engine is stopped. Remove spark plug wire(s) from spark plug(s) and secure wire(s) away from spark plug(s).
10. DO NOT change engine governor speed settings or overspeed engine.
11. Lubricate machine at intervals specified in manual to prevent controls from binding.
12. Mower blades are sharp and can cut. Wrap the blades or wear heavy leather gloves and use CAUTION when handling them.
13. DO NOT test for spark by grounding spark plug next to spark plug hole; spark plug could ignite gas exiting engine.
14. Have machine serviced by an authorized dealer at least once a year and have the dealer install any new safety devices.
15. Maintain or replace safety and instruction labels as necessary.
16. Use only genuine replacement parts to assure that original standards are maintained.



### WARNING

Grass Catcher bags used on this product are made of woven fabric, and are subject to deterioration and wear during normal usage. Check condition of bags before each use. Immediately replace worn or damaged catcher bags with only bags recommended by the manufacturer. The Grass Catcher is optional equipment on some models.



### WARNING

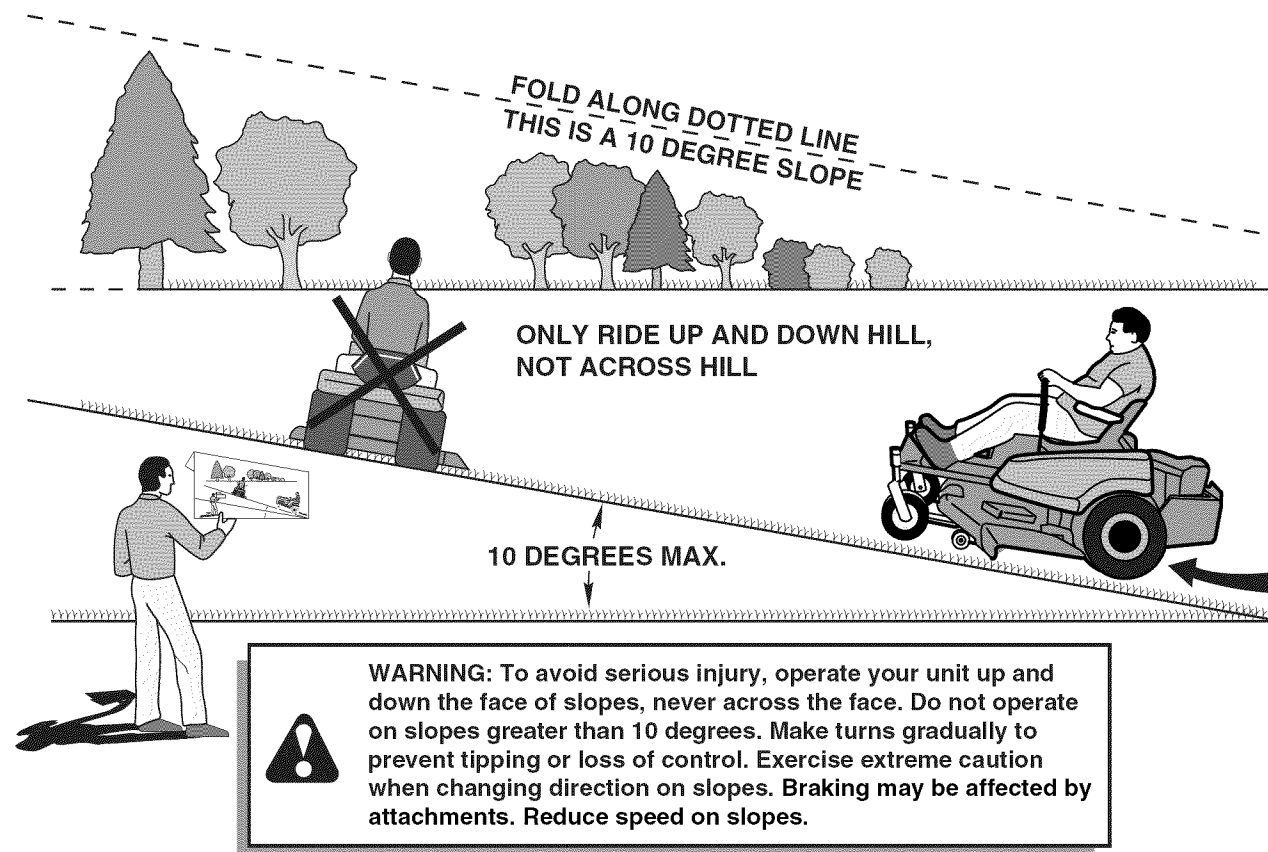
Engine exhaust, some of its constituents, and certain vehicle components contain or emit chemicals known to the State of California to cause cancer or other reproductive harm.



### WARNING

Battery posts, terminals and related accessories contain lead and lead compounds, chemicals known to the State of California to cause cancer and birth defects or other reproductive harm. Wash hands after handling.

## SUGGESTED GUIDE FOR SIGHTING SLOPES FOR SAFE OPERATION



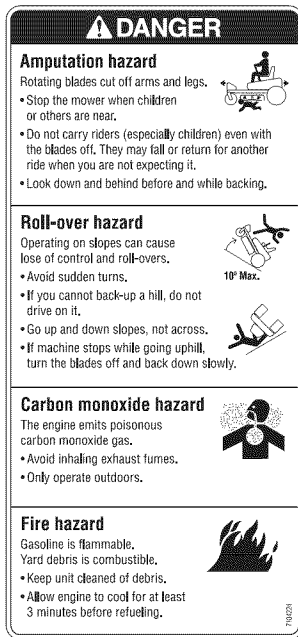
1. Fold this page along dotted line indicated above.
2. Hold page before you so that its left edge is vertically parallel to a tree trunk or other upright structure.
3. Sight across the fold in the direction of hill slope you want to measure.
4. Compare the angle of the fold with the slope of the hill.

## Safety and Instructional Decals

All DANGER, WARNING, CAUTION and instructional messages on your rider and mower should be carefully read and obeyed. Personal bodily injury can result when these instructions are not followed. The information is for your safety and it is important! The safety decals below are on your rider and mower.

If any of these decals are lost or damaged, replace them at once. See your local dealer for replacements.

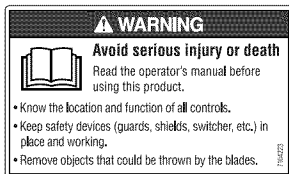
These decals are easily applied and will act as a constant visual reminder to you, and others who may use the equipment, to follow the safety instructions necessary for safe, effective operation.



**Decal, Danger**  
Part No. 7104224



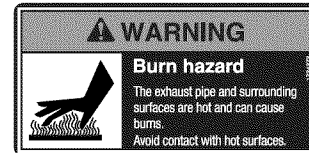
**Decal, Danger**  
Part No. 7101665



**Decal, Warning**  
Part No. 7104223



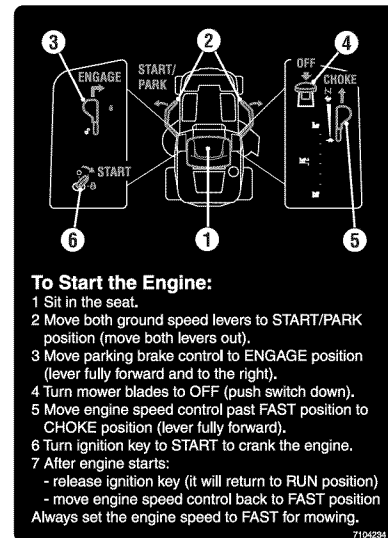
**Decal, Warning**  
Part No. 7104225



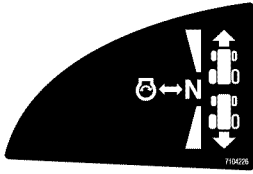
**Decal, Warning**  
Part No. 1734273



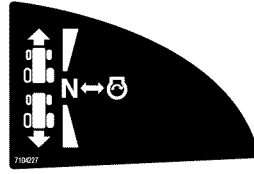
**Decal, Caution**  
Part No. 7104393



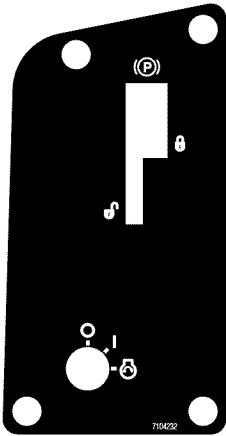
**Decal, Instructional**  
Part No. 7104234



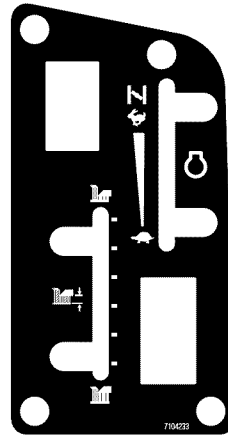
Decal, Ground Speed Lever, L.H.  
Part No. 7104226



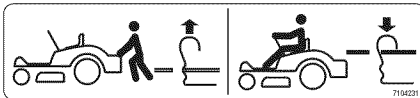
Decal, Ground Speed Lever, R.H.  
Part No. 7104227



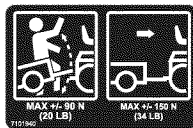
Decal, Control Panel, L.H.  
Part No. 7104232



Decal, Control Panel, R.H.  
Part No. 7104233



Decal, Transmission Release  
Part No. 7104231



Decal, Weight Limit  
Part No. 7101940

## Safety Interlock System Tests

This unit is equipped with a Safety Interlock System. Do not attempt to bypass or tamper with the switches/devices.

### TEST 1 — ENGINE SHOULD NOT CRANK IF:

- PTO switch is engaged, OR
- Parking brake is disengaged, OR
- Ground speed levers are not locked in their START/PARK positions.

### TEST 2 — ENGINE SHOULD CRANK IF:

- PTO switch is NOT engaged, AND
- Parking brake is engaged, AND
- Ground speed levers are locked into their START/PARK positions.

### TEST 3 — ENGINE SHOULD SHUT OFF IF:

- Operator rises off seat with PTO engaged, OR
- Operator rises off seat with parking brake disengaged, OR
- Operator rises off seat with ground speed levers not locked in their START/PARK positions.

### TEST 4 — CHECK MOWER BLADE STOPPING TIME

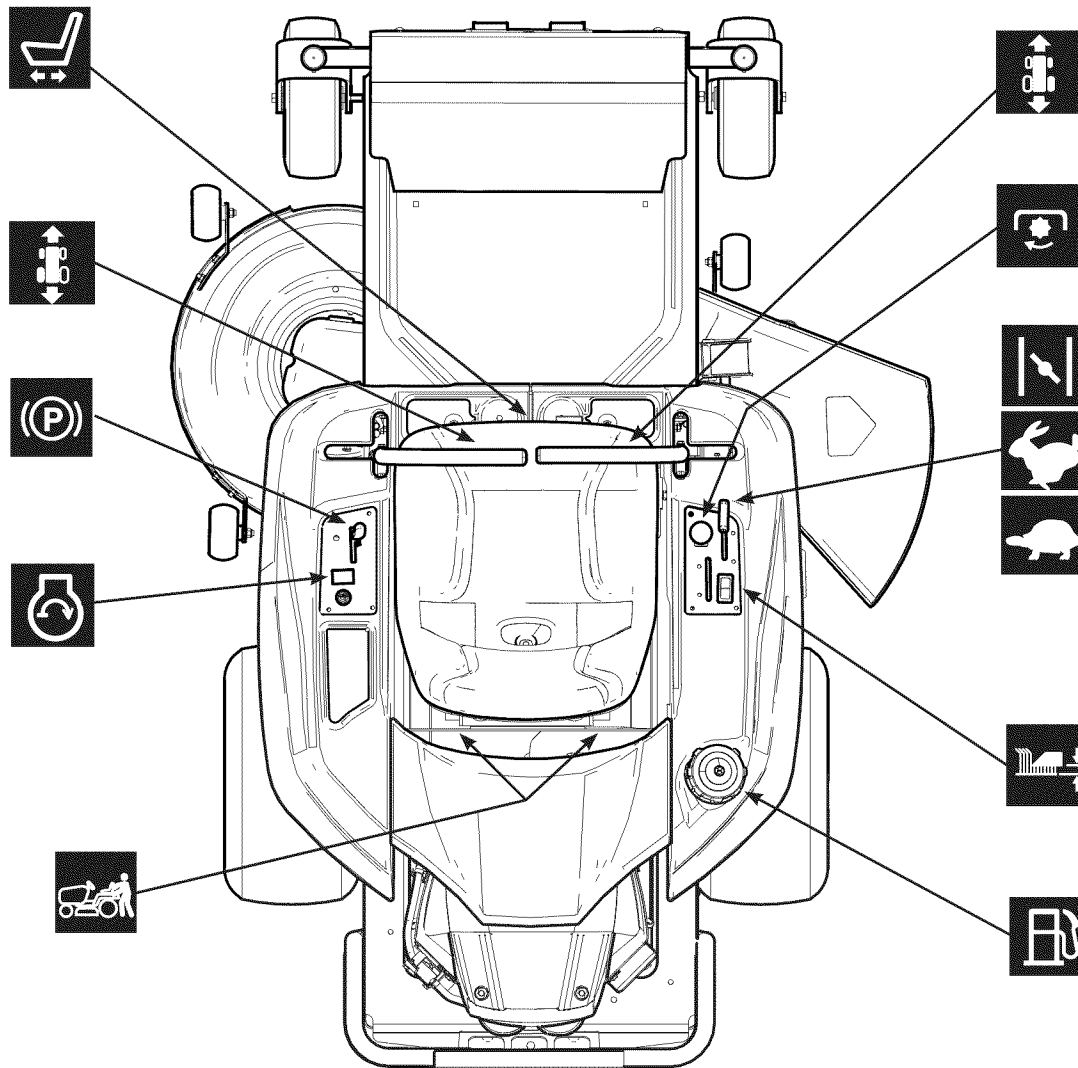
The mower blades and mower drive belt should come to a complete stop within five seconds after the electric PTO switch is turned off (or operator rises off seat). If mower drive belt does not stop within five seconds, see your dealer.

**NOTE:** Once the engine has stopped, the PTO switch must be turned off, the parking brake must be engaged, and the ground speed levers must be locked in their START/PARK positions in order to start the engine.

## **⚠️ WARNING**

If the unit does not pass a safety test, do not operate it. See an authorized dealer.

# FEATURES AND CONTROLS



## Control Functions

The information below briefly describes the function of individual controls. Starting, stopping, driving, and mowing require the combined use of several controls applied in specific sequences. To learn what combination and sequence of controls to use for various tasks see the **Operation** section.



### Ground Speed Levers

These levers control the ground speed and direction of the rider. The left lever controls the left rear drive wheel and the right controls the right rear drive wheel.

Moving a lever forward increases the **FORWARD** speed of the associated wheel, and pulling back on a lever increases the **REVERSE** speed.

The further a lever is moved away from the neutral position the faster the drive wheel will turn.

See the **Operation** section for steering instructions.






### Engine Speed / Choke Control (Choke-O-Matic)

The engine speed / choke control controls the engine speed and choke. Move the engine speed control to the **FAST** position to increase engine speed, and to the **SLOW** position to decrease engine speed. Move the engine speed / choke control past the **FAST** position to the **CHOKE** position to start a cold engine. A warm engine may not require choking.

**NOTE:** Always operate the rider with the engine speed control in the **FAST** position.

## Ignition Switch

The ignition switch starts and stops the engine; it has three positions:

-  OFF Stops the engine and shuts off the electrical system.
-  RUN Allows the engine to run and powers the electrical system.
-  START Cranks the engine for starting.

**NOTE:** Never leave the ignition switch in the RUN position with the engine stopped—this drains the battery.

## PTO Switch

The PTO (Power Take-Off) switch engages and disengages the mower blade clutch. To engage the PTO, pull UP on the switch. Push DOWN to disengage. Note that the operator must be seated firmly in the rider seat for the PTO to function.

## Transmission Release Levers

The transmission release levers deactivate the transmissions so that the unit can be pushed by hand (see ***Pushing the Unit by Hand***).

## Seat Adjustment Lever

The seat can be adjusted forward and backward (see ***Seat Adjustments***).

## Fuel Tank Cap

To remove the cap, turn counterclockwise.

## Mower Cutting Height Adjustment Switch

The mower cutting height is adjustable between 1.75" (4,4 cm) and 4.0" (10,0 cm). See ***Cutting Height Adjustment***.

## Parking Brake

Moving the parking brake lever forward and to the right engages the parking brake. Moving the lever to the left and back disengages the brake.

# OPERATION

## General Operating Safety

Before first time operation:

- Be sure to read all information in the **Operator Safety** section before attempting to operate this rider and mower.
- Become familiar with all of the controls and how to stop the unit.
- Drive in an open area without mowing to become accustomed to driving the unit.

### **⚠ WARNING**

Never operate on slopes greater than 18 percent (10°).

Select slow ground speed before driving onto a slope. Use extra caution when operating on slopes with a rear-mounted grass catcher.

Mow up and down slopes, not across the face, use caution when changing directions and **DO NOT START OR STOP ON SLOPE.**

### **⚠ WARNING**

Never allow passengers to ride on the unit.

Before leaving the operator's position for any reason, lock the ground speed levers in the **START/PARK** position, engage the parking brake, disengage the PTO, stop the engine and remove the key.

To reduce fire hazard, keep the engine, rider and mower free of grass, leaves and excess grease. Do not stop or park rider over dry leaves, grass or combustible materials.

Gasoline is highly flammable and must be handled with care. Never fill the tank when the engine is still hot from recent operation. Do not allow open flame, smoking or matches in the area. Avoid over-filling and wipe up any spills.

### **⚠ WARNING**

If you do not understand how a specific control functions, or have not yet thoroughly read the **Features and Controls** section, do so now. **DO NOT** attempt to operate the rider without first becoming familiar with the location and function of **ALL** controls.

## Checks Before Starting

- Check that the crankcase is filled to full mark on dipstick (**A**, Figure 1 - located under engine cover). See the engine owner's manual for instructions and oil recommendations.
- Make sure all nuts, bolts, screws and pins are in place and secure.
- Adjust the seat position (**B**), and make certain you can reach all controls from the operator's position.
- Fill the fuel tank (**C**) with fresh fuel. Refer to the engine owner's manual for fuel recommendations.

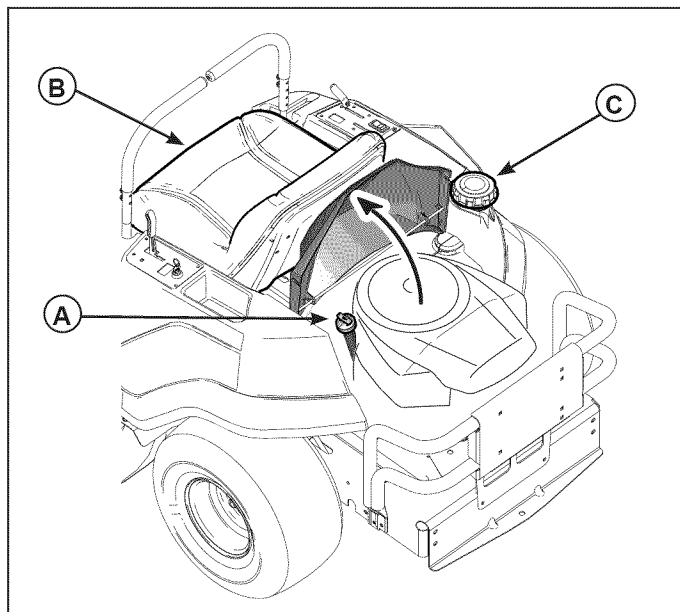
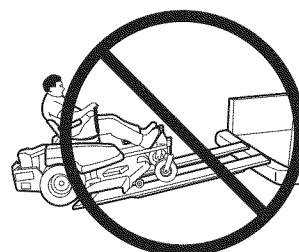


Figure 1. Pre-Start Checks

### **⚠ WARNING**

Do not load this zero-turn rider on a trailer or truck using two separate ramps. Only use a single ramp that is at least one foot wider than the width of the rear wheels of this rider. This rider has a zero turning radius and the rear wheels could fall off the ramps, or the rider could tip over injuring the operator or bystanders.



## Starting the Engine

1. While sitting in the operator's seat, make sure the PTO switch is disengaged, the parking brake is engaged, and the ground speed levers are locked in the START/PARK position.
2. Set the engine speed control to the CHOKE position.  
**NOTE:** A warm engine may not require choking.
3. Insert the key into the ignition switch and turn it to START.
4. After the engine starts, move the engine speed control back to the FAST position. Warm up the engine by running it for at least a minute before engaging the PTO switch or driving the rider.
5. **After warming the engine, ALWAYS operate the rider at FULL ENGINE SPEED when mowing.**

**In the event of an emergency the engine can be stopped by simply turning the ignition switch to STOP.** Use this method only in emergency situations. For normal engine shut down follow the procedure given in *Stopping the Rider and Engine*.

## Stopping the Rider and Engine

1. Return the ground speed levers to the middle (or *neutral 'N'*) position to stop rider movement. Pivot the levers outward to lock them in the START/PARK position.
2. Disengage the PTO by pushing down on the PTO switch.
3. Engage the parking brake by moving the parking brake lever forward and to the right.
4. Move the engine speed control to the SLOW position and turn the ignition key to OFF. Remove the key.

## Mowing

1. Make sure the PTO switch is disengaged, the parking brake is engaged, the ground speed levers are locked in their START/PARK positions, and the operator is in the seat.
2. Start the engine (see *Starting the Engine*).
3. Set the mower cutting height (see *Cutting Height Adjustment*).
4. Set the engine speed control to FAST.
5. Disengage the parking brake.
6. Engage the PTO by pulling up on the switch.
7. Pivot the ground speed levers in from the START/PARK position to the neutral 'N' position.

8. Begin mowing. See *Operator Safety* for tips on safe mowing practices.
9. When finished, shut off the PTO.
10. Stop the engine (see *Stopping the Rider and Engine*).

## Pushing the Rider by Hand

1. Disengage the PTO, engage the parking brake, lock the ground speed levers into their START/PARK positions, turn the ignition OFF, remove the key, and wait for all moving parts to stop.
2. To disengage the transmissions, pull the roll release rods (A, Figure 2), located on either side of the engine, up into the PUSH position.
3. Disengage the parking brake.  
The rider can now be pushed by hand.
4. After moving the rider, re-engage the transmissions by pushing the roll release rods back down to the DRIVE position.



### DO NOT TOW RIDER

Towing the unit will cause transmission damage. Do not use another vehicle to push or pull this unit.

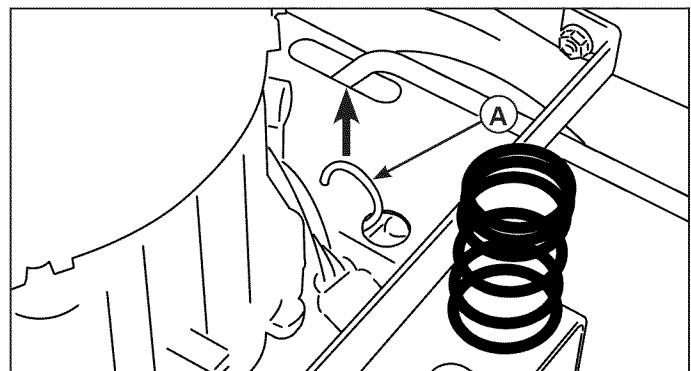


Figure 2. Roll Release Components (On Each Side)

### ⚠ WARNING

**DO NOT disengage the transmissions and coast down slopes. DO NOT use Roll Release to disengage the transmissions unless machine motion can be controlled and engine is off.**



## Zero Turn Driving Practice

The ground speed levers of the zero turn rider are responsive, and learning to gain a smooth and efficient control of the rider's forward, reverse, and turning movements will take some practice.

Spending some time going through the maneuvers shown and becoming familiar with how the unit accelerates, travels, and steers — before you begin mowing — is absolutely essential to getting the most out of the zero turn rider.

**Locate a smooth, flat area of your lawn** — one with plenty of room to maneuver. (Clear the area of objects, people and animals before you begin.) Operate the unit at mid-engine speed during this practice session (ALWAYS operate at full engine speed when mowing), and turn slowly to prevent tire slippage and damage to your lawn.

We suggest you begin with the Smooth Travel procedure to the right, and then advance through the forward, reverse, and turning maneuvers.

## Smooth Travel

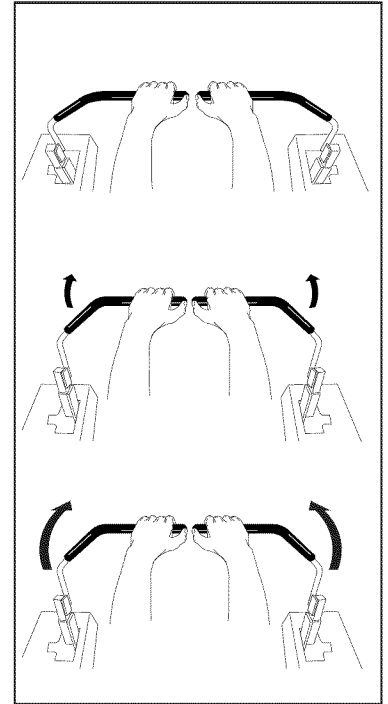
The ground speed levers of the zero turn rider are responsive.

The **BEST** method of handling the ground speed levers is in three steps — as shown in Figure 3.

**FIRST** place your hands onto the levers as shown.

**SECOND**, to go forward gradually push the levers forward with your palms.

**THIRD**, to speed up, move the levers farther forward. To slow down smoothly, slowly move the levers toward neutral.



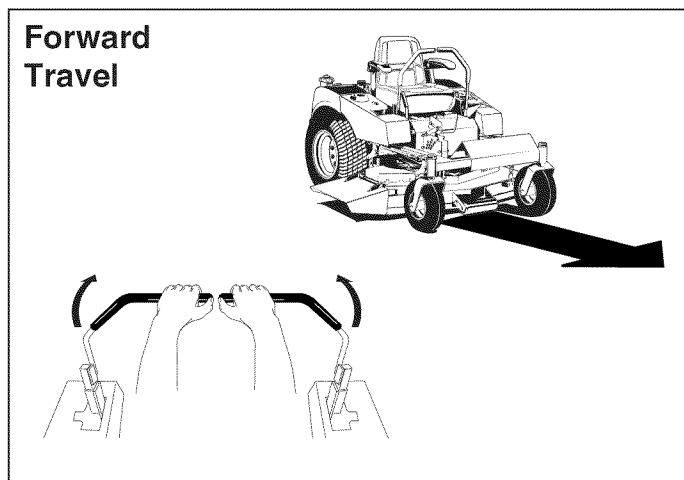
**Figure 3. Move Ground Speed Levers Gradually**

## Basic Driving

### Forward Travel Practice

Gradually move both ground speed levers — evenly **FORWARD** from neutral. Slow down and repeat.

Straight forward travel takes practice. If necessary, top speed can be balance-adjusted — see **Speed Balancing Adjustment** section.

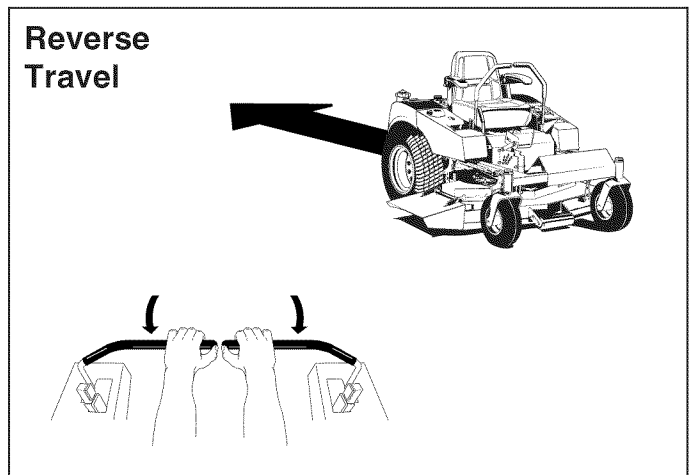


**Figure 4. Forward Travel**

### Reverse Travel Practice

**LOOK DOWN & BEHIND**, then gradually move both ground speed levers evenly **BACK** from neutral. Slow down and repeat.

Practice backing up for several minutes before attempting to do so near objects. The rider turns as sharply in reverse as when going forward, and backing up straight takes practice.



**Figure 5. Reverse Travel**

## Practice Turning Around a Corner

While traveling forward allow one lever to gradually return back toward neutral. Repeat several times.

To prevent pivoting directly on the tire tread, it is best to keep both wheels going at least slightly forward.

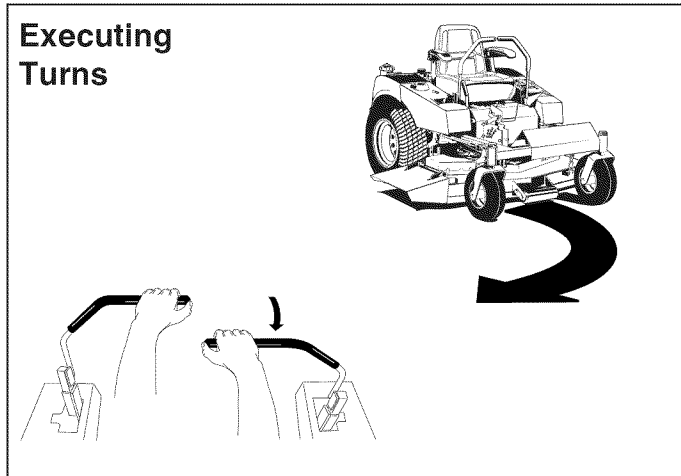


Figure 6. Turning Around a Corner

## Practice Turning In Place

To turn in place, “zero turn,” gradually move one ground speed lever forward from neutral and one lever back from neutral simultaneously. Repeat several times.

Changing the amount each lever is pulled — forward or back, changes the “pivot point” you turn on.

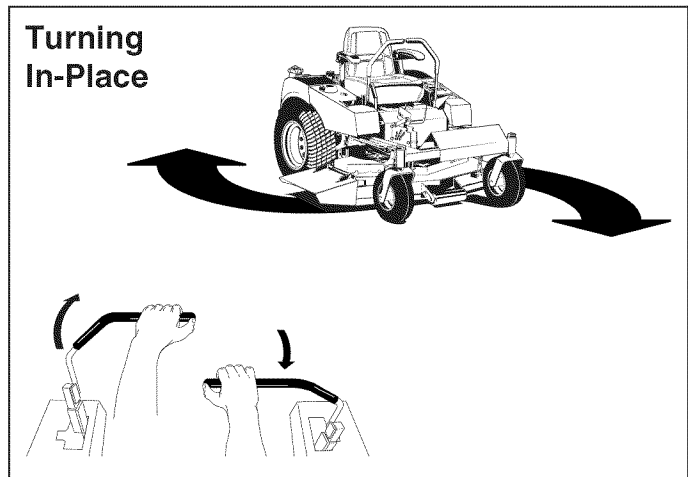


Figure 7. Turning in Place

## Advanced Driving

### Executing an End-Of-Row Zero Turn

Your zero turn rider's unique ability to turn in place allows you to turn around at the end of a cutting row rather than having to stop and Y-turn before starting a new row.

For example, to execute a right end-of row zero turn:

1. Slow down at the end of the row.
2. Move the LEFT ground speed lever forward slightly while moving the RIGHT ground speed lever back to center and then slightly back from center.
3. Begin mowing forward again.

This technique turns the rider RIGHT and slightly overlaps the row just cut — eliminating the need to back up and re-cut missed grass.

As you become more familiar and experienced with operating the zero turn rider, you will learn more maneuvers that will make your mowing time easier and more enjoyable.

**Remember, the more you practice, the better your control of the rider will be!**

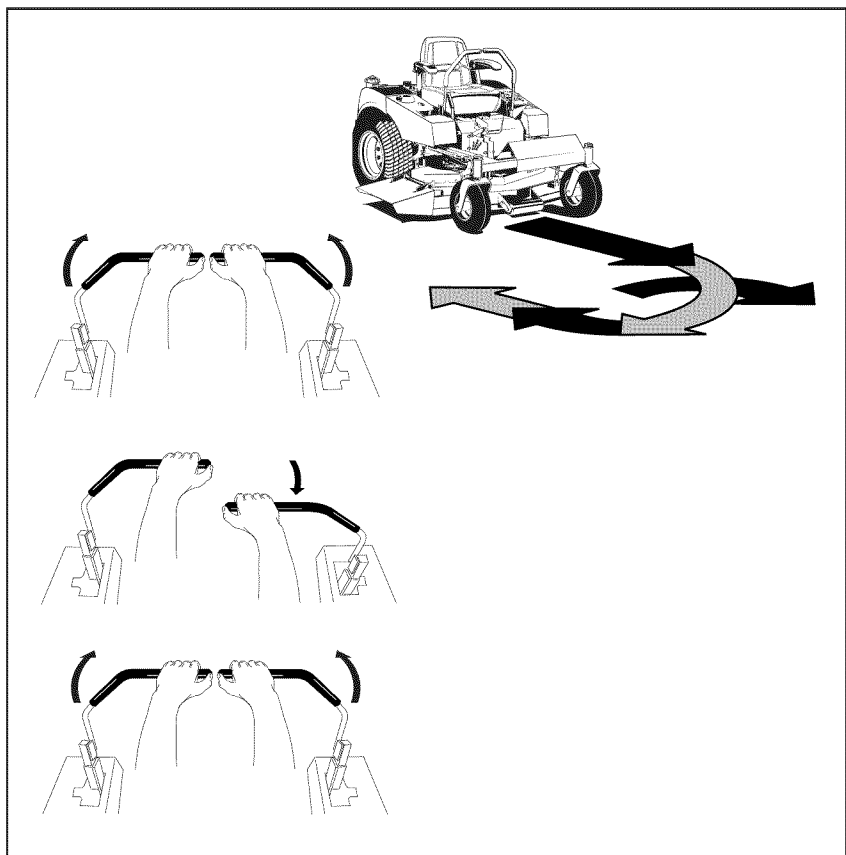


Figure 8. Executing an End-Of-Row Turn

## Attaching a Trailer

The maximum weight of a towed trailer should be less than 200 lbs (91 kg). Secure the trailer with an appropriately sized clevis pin (A, Figure 9) and clip (B).

Excessive towed loads can cause loss of traction and loss of control on slopes. Reduce towed weight when operating on slopes. The surface being driven on greatly impacts traction and stability. Wet or slippery surfaces can greatly reduce traction and the ability to stop or turn. Carefully evaluate the surface conditions before operating the unit and trailer, and never operate on slopes greater than 10°. See **Protection Against Tipovers and Towing** in the **Operator Safety** section of this manual.

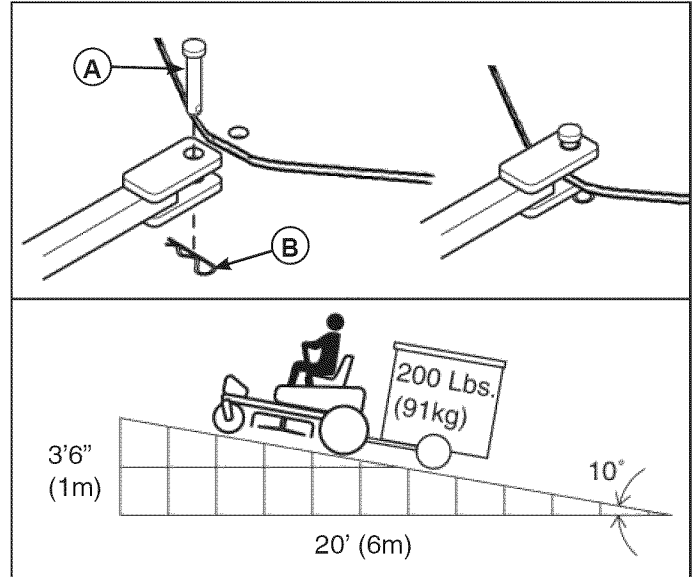


Figure 9. Trailer Weight Recommendations

# MAINTENANCE

## Maintenance Chart

RIDER AND MOWER
<b>Every 8 Hours or Daily</b>
Check safety interlock system
Clean debris off rider and mower deck
Clean debris from engine compartment
<b>Every 25 Hours or Annually *</b>
Check tire pressure
Check mower blade stopping time
Check rider and mower for loose hardware
<b>Every 50 Hours or Annually *</b>
Check rider brakes
<b>See Dealer Annually to</b>
Lubricate rider and mower
Clean battery and cables
Check mower blades **

\* Whichever comes first

\*\* Check blades more often in regions with sandy soils or high dust conditions.

ENGINE
<b>First 5 Hours</b>
Change engine oil
<b>Every 8 Hours or Daily</b>
Check engine oil level
<b>Every 25 Hours or Annually *</b>
Clean engine air filter and pre-cleaner **
<b>Every 50 Hours or Annually *</b>
Change engine oil
Replace oil filter
<b>Annually</b>
Replace air filter
Replace pre-cleaner
<b>See Dealer Annually to</b>
Inspect muffler and spark arrester
Replace spark plug
Replace fuel filter
Clean engine air cooling system

\* Whichever comes first

\*\* Clean more often in dusty conditions or when airborne debris is present.

## Check Tire Pressures

Tire pressure should be checked periodically, and maintained at the levels shown in the chart. Note that these pressures may differ slightly from the “Max Inflation” stamped on the side-wall of the tires. The pressures shown provide proper traction, improve cut quality, and extend tire life.

## Checking / Adding Fuel

To add fuel:

1. Remove the fuel cap.
2. Fill the tank to the bottom of the filler neck. This will allow for fuel expansion.

**NOTE:** Do not overfill. Refer to your engine manual for specific fuel recommendations.

3. Install and hand tighten the fuel cap.

## Fuel Filter

The fuel filter is located in the fuel line between fuel tank and fuel pump. If the filter is dirty or clogged, replace as follows:

1. Disconnect the negative battery cable.
2. Place a container below the filter to catch spilled fuel.
3. Using pliers, open and slide hose clamps from fuel filter (A, Figure 11).
4. Remove hoses from filter.
5. Install new filter in proper flow direction in fuel line.
6. Secure with hose clamps.
7. Reconnect the negative battery cable when finished.

## Engine Maintenance

Refer to engine manual for all engine maintenance procedures and recommendations.

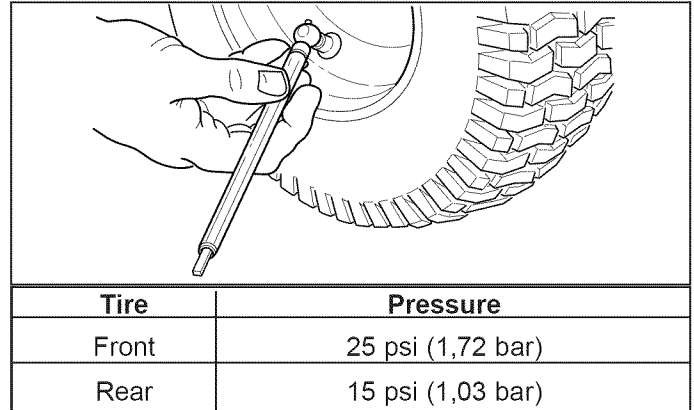


Figure 10. Checking Tire Pressure

## ⚠ WARNING

Gasoline is highly flammable and must be handled with care. Never fill the tank when the engine is still hot from recent operation. Do not allow open flame, smoking or matches in the area. Avoid over-filling and wipe up any spills. Do not remove fuel filter when engine is hot, as spilled gasoline may ignite. DO NOT spread hose clamps further than necessary. Ensure clamps grip hoses firmly over filter after installation.



Do not use gasoline containing METHANOL, gasohol containing more than 10% ethanol, gasoline additives, premium gasoline, or white gas because engine/fuel system damage could result.

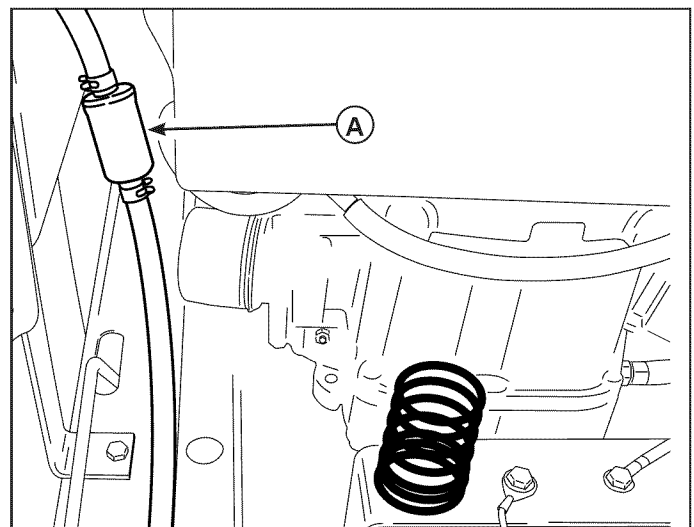


Figure 11. Fuel Filter Replacement  
(View looking back from battery compartment)

## **WARNING**

Before running the mower, make sure the hose is properly connected and does not come into contact with the blades. When the mower is running and the blades are engaged, the person cleaning the mower must be in the operator position, and there must be no bystanders. Failure to follow these precautions may result in serious injury or death.

### Storage

Before you store your unit for the off-season, read the *Maintenance and Storage* instructions in the *Operator Safety* section, then perform the following steps:

- Disengage the PTO, move the ground speed levers into the START/PARK positions, set the parking brake, & remove the key.
- Perform engine maintenance and storage measures listed in the engine owner's manual. This includes draining the fuel system, or adding stabilizer to the fuel (do not store a fueled unit in an enclosed structure - see warning).
- Battery life will be increased if it is removed, put in a cool, dry place and fully charged about once a month. If the battery is left in the unit, disconnect the negative cable.

Before starting the unit after it has been stored:

- Check all fluid levels. Check all maintenance items.
- Perform all recommended checks and procedures found in the engine owner's manual.
- Allow the engine to warm up for several minutes before use.

## **WARNING**

Never store the unit (with fuel) in an enclosed, poorly ventilated structure. Fuel vapors can travel to an ignition source (such as a furnace, water heater, etc.) and cause an explosion. Fuel vapor is also toxic to humans and animals.

# ADJUSTMENTS AND SERVICE

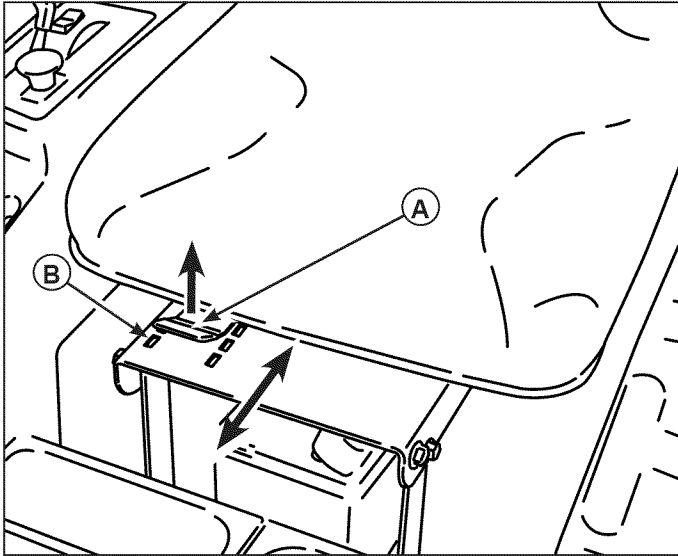


Figure 12. Seat Adjustment

## Seat Adjustments

The seat and ground speed levers should be adjusted so that operator's elbows are supported by the arm rests when his/her hands are on the controls, and the ground speed levers can be moved through their full range of motion without contacting the operator's legs.

### Seat Position Adjustment

Lift the seat adjustment lever (A, Figure 12). Slide the seat forward or backward to the desired position, then lower the seat adjustment lever. Make sure the lever locks into the locking slots (B) in the seat base.

## Ground Speed Lever Adjustment

Remove the ground speed lever mounting hardware (Figure 13) and reposition the lever either up or down from its original position. Replace the hardware.

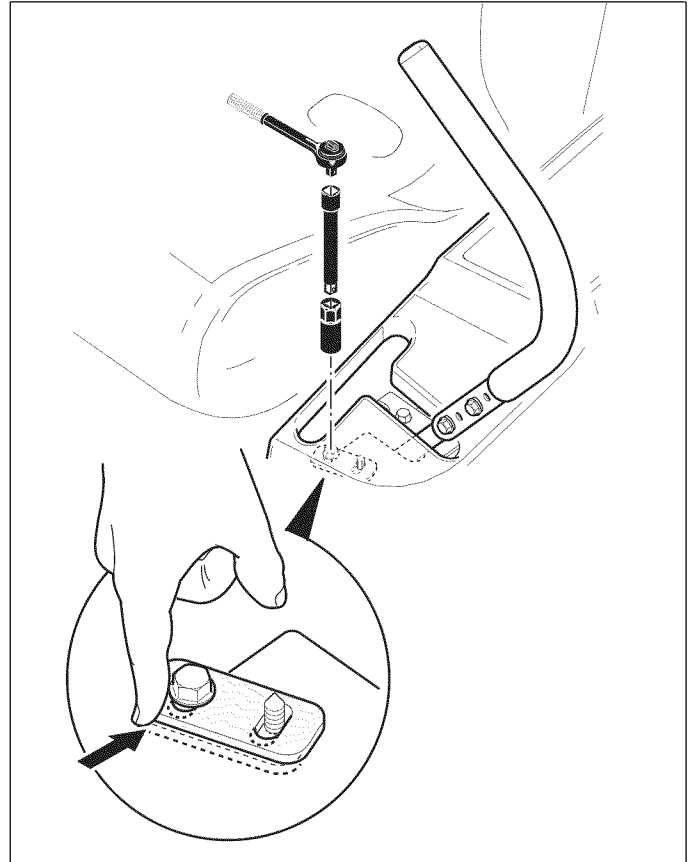


Figure 13. Ground Speed Lever Adjustments

## Speed Balancing Adjustment

If the rider drifts to the right or left when the ground speed levers are in the maximum forward position, the top speed of each of these levers can be balanced. Only adjust the speed of the wheel that is traveling faster.

### To Reduce the Speed of the Faster Wheel

1. Loosen the bolt securing the forward adjust plate (Figure 13).
2. Slide the plate up approximately 1/8".
3. Retighten the bolt and recheck speed balance.
4. Repeat steps 1-3 until adjustment is complete.

## **!** WARNING

**DO NOT** adjust the rider for a faster overall speed forward or reverse than it was designed.

## Cutting Height Adjustment

The cutting height adjustment switch controls the mower cutting height. The cutting height is adjustable between 1.75" (4,4 cm) and 4.0" (10,0 cm).

To adjust cutting height:

Press the adjustment switch (**A**, Figure 14) forward to lower the mower deck, backward to raise the mower deck.

The slot in the cutting height indicator (**B**) indicates the cutting height of the mower deck.

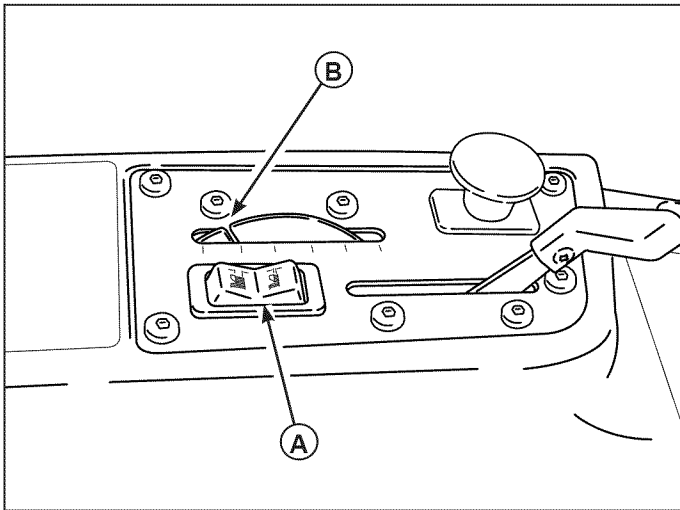


Figure 14. Cutting Height Adjustment

## Mower Removal and Installation

**NOTE:** Perform mower removal and installation on a hard, level surface such as a concrete floor.

### WARNING

**After lowering the mower cutting height, engage parking brake, turn off the mower blades, turn the ignition switch to STOP, and remove key before attempting to install or remove the mower.**

### Removal

1. Turn the mower blades OFF, put the ground speed control levers in START/PARK position, engage the parking brake, turn the ignition OFF, and wait for all moving parts to stop.
2. Pivot the front wheels forward.
3. Use the mower belt release lever (**A**, Figure 15) to release belt tension. Remove the mower belt (**B**) from engine pulley (**C**).

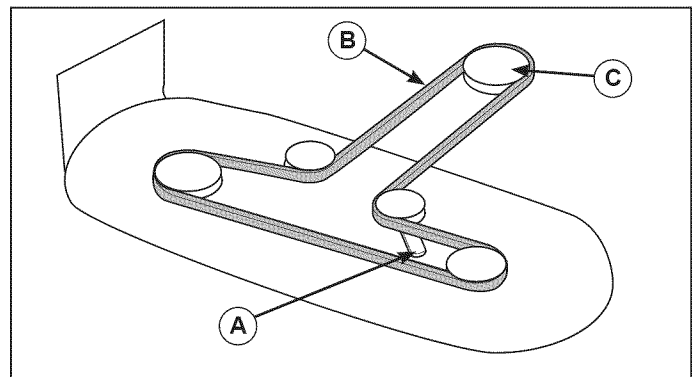
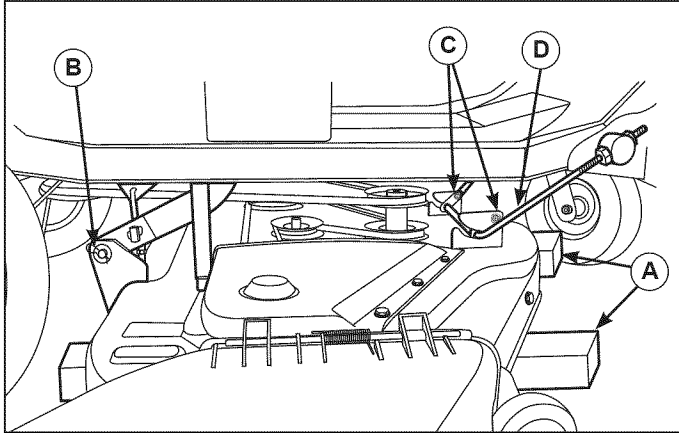


Figure 15. Mower Belt Routing

4. Turn the ignition switch from OFF to RUN without starting the engine.
5. Use the mower cutting height switch to raise the mower deck.
6. Place 4x4 wood blocks under the front and rear lip of the mower deck to securely support it.
7. Use the mower cutting height switch to fully lower the mower so that it is resting on the 4x4 wood blocks (**A**, Figure 16).





**Figure 16. Mower Hitch Components**

8. Turn the ignition switch to OFF and remove the key.
9. Remove the hair pin clip (B) securing the rear mower lift arm. Separate the lift arm from the mower deck. Repeat on both sides of the mower.
10. Remove the 3/8 -16 x 3/4 carriage bolts and flange nuts (C) that secure the front hitch rod, then remove the hitch rod (D).
11. Slide the mower deck out from under the rider.

### Installation

1. Slide the mower deck under the right side of the rider. Slide the mower forward and hook the front hitch rod (D, Figure 16) to the front mower deck hooks.
2. Secure front hitch rod with two 3/8 -16 x 3/4 carriage bolts and flange nuts (C).
3. Slide the mower deck backwards and connect the rear lift arms to the mower deck. Secure with hair pin clips (B).
4. Insert the key into the ignition switch. Turn the switch from OFF to RUN without starting the engine.
5. Use the cutting height switch to raise the mower until it is no longer resting on the 4x4 wood blocks (A).
6. Turn the ignition switch OFF and remove the key. Remove the 4x4 blocks.
7. Use the mower belt release lever (D, Figure 15) to release mower belt tension, and install the belt as shown.

## **! WARNING**

To avoid serious injury, perform adjustments only with engine stopped, key removed and rider on level ground.

### Check Mower Blade Stopping Time

Mower blades and mower drive belt should come to a complete stop within 5 seconds after electric PTO switch is turned off.

1. With parking brake engaged, PTO disengaged and an operator in the seat, start the engine.
2. Have an assistant observe the mower drive belt through the opening between the frame and top of mower deck. Engage the PTO and wait several seconds. Disengage the PTO and check the amount of time it takes for the mower drive belt to stop.
3. If the mower drive belt does not stop within 5 seconds, see an authorized dealer.

## Cleaning the Battery and Cables

1. Disconnect the cables from the battery, negative cable first (**C**, Figure 17).
2. Clean the battery terminals and cable ends with a wire brush until shiny.
3. Reinstall the battery and reattach the battery cables, positive cable first (**A**).
4. Coat the cable ends and battery terminals with petroleum jelly or non-conducting grease.
5. Be sure to replace the terminal cover (**B**) over the positive battery terminal.

## Battery Charging

A dead battery or one too weak to start the engine may be the result of a defect in the charging system or other electrical component. If there is any doubt about the cause of the problem, see your dealer. If you need to replace the battery, see **Cleaning the Battery and Cables** section.

To charge the battery, follow the instructions provided by the battery charger manufacturer as well as all warnings included in the safety section of this book. Remove the battery from the rider and place on a level, non-concrete surface. Charge the battery at 6-10 amps for 1 hour. Do not charge at a rate higher than 10 amps.

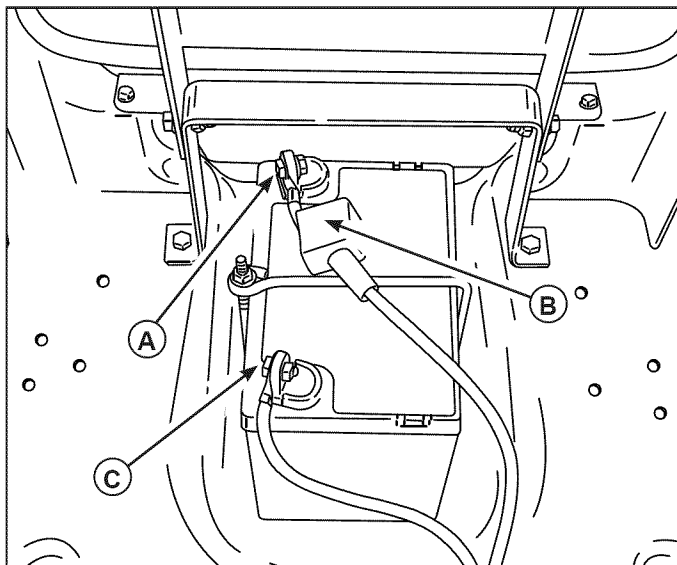


Figure 17. Battery Compartment

### **!** WARNING

Be careful when handling the battery. Keep flames and sparks away from the battery. When removing or installing battery cables, disconnect the negative cable **FIRST** and reconnect it **LAST**. If not done in this order, the positive terminal can be shorted to the frame by a tool.

### **!** WARNING

Keep open flames and sparks away from the battery; the gasses coming from it are highly explosive. Ventilate the battery well during charging.

# TROUBLESHOOTING

## Troubleshooting the Rider

PROBLEM	LOOK FOR	REMEDY
<b>Engine will not turnover or start.</b>	Ground speed levers not in START/PARK positions.	Lock ground speed levers in START/ PARK positions.
	PTO (electric clutch) switch in ON position.	Place in OFF position.
	Out of fuel.	If engine is hot, allow it to cool, then refill the fuel tank.
	Parking brake disengaged.	Engage parking brake.
	Fuel valve closed (if equipped).	Open fuel valve.
	Engine flooded.	Open the choke.
	Gas is old or stale.	Drain fuel and replace with fresh fuel.
	Battery terminals require cleaning.	Clean the battery terminals.
	Battery discharged or dead.	Recharge or replace.
	Wiring loose or broken.	See authorized service dealer.
	Solenoid or starter motor faulty.	See authorized service dealer.
	Safety interlock switch not working.	See authorized service dealer.
	Spark plug(s) faulty, fouled or incorrectly gapped.	Clean and gap or replace. (See engine manual.)
	Water in fuel.	Drain fuel and refill with fresh fuel.
	Circuit breaker blown.	See authorized service dealer.
<b>Engine starts hard or runs poorly.</b>	Fuel mixture too rich.	Clean air filter. Check the choke.
	Spark plug faulty, fouled, or incorrectly gapped.	Clean and gap or replace. (See engine manual.)
	Fuel filter dirty.	Replace fuel filter.
<b>Engine knocks.</b>	Low oil level.	Check/add oil as required.
	Using wrong grade oil.	See engine manual.
<b>Excessive oil consumption.</b>	Engine running too hot.	See engine fins, blower screen, and air cleaner.
	Using wrong grade oil.	See engine manual.
	Too much oil in crankcase.	Drain excess oil.
<b>Engine exhaust is black.</b>	Dirty air filter.	Replace air filter. (See engine manual.)
	Engine choke control is in closed position.	Open choke control.
<b>Engine runs, but rider will not drive.</b>	Transmission(s) disengaged.	Unlock roll release rod(s).
	Belt is broken.	See authorized service dealer.
	Drive belt slips.	See authorized service dealer.
	Brake is not fully released.	See authorized service dealer.
	Internal transmission problem.	See authorized service dealer.

PROBLEM	LOOK FOR	REMEDY
Rider drive belt slips.	Pulleys or belt greasy or oily.	Clean as required.
	Belt stretched or worn.	See authorized service dealer.
Brake will not hold.	Brake components worn or damaged.	See authorized service dealer.
	Internal transmission problem.	See authorized service dealer.
Rider steers or handles poorly.	Steering linkage is loose.	Check and tighten any loose connections.
	Improper tire inflation.	See <i>Maintenance</i> section.

## Troubleshooting the Mower

PROBLEM	LOOK FOR	REMEDY
Mower will not raise.	Mower deck not properly installed.	Unlock roll release rod(s).
	Deck lift components damaged.	See authorized service dealer.
Mower cut is uneven.	Mower not leveled properly.	See Mower Adjustment.
	Rider tires not inflated equally or properly.	See <i>Maintenance</i> section.
Mower cut is rough looking.	Engine speed too slow.	See engine speed control to FAST.
	Ground speed too fast.	Decrease ground speed.
	Blades are dull.	Sharpen or replace blades. See Servicing the Mower Blades.
	Mower drive belt slipping because it is oily or worn.	See authorized service dealer.
	Blades not properly fastened to spindles.	See Servicing the Mower Blades.
Engine stalls easily with mower engaged.	Engine speed too slow.	Set engine speed control to FAST.
	Ground speed too fast.	Decrease ground speed.
	Cutting height set too low.	Cut tall grass at maximum cutting height during first pass.
	Discharge chute jamming with cut grass.	Cut grass with discharge pointing toward previously cut area.
Excessive mower vibration.	Blade mounting hardware is loose.	Tighten to 50-60 ft-lbs (68-81 Nm).
	Mower blades, spindles, or pulleys are bent.	See authorized service dealer.
	Mower blades are out of balance.	Remove, sharpen, and balance blades. See Servicing the Mower Blades.
	Blade installed incorrectly.	See authorized service dealer.
Excessive belt wear or breakage.	Bent or rough pulleys.	See authorized service dealer.
	Using incorrect belt.	See authorized service dealer.
Mower drive belt slips or fails to drive.	Idler pulley spring broken or not properly attached.	See authorized service dealer.
	Mower drive belt broken.	See authorized service dealer.

# SPECIFICATIONS

## Engine:

### 21 HP Briggs & Stratton

<b>Make</b>	Briggs & Stratton®
<b>Model</b>	Platinum Series™, Single
<b>Horsepower</b>	21 @ 3500 rpm
<b>Displacement</b>	32.95 cu in. (540 cc)
<b>Electrical System</b>	Battery 12 Volt, 230 CCA Alternator 9 amp
<b>Oil Capacity</b>	48 oz (1,4 L) w/Filter

## Chassis:

<b>Fuel Tank</b>	Capacity: 3.0 Gallons (11,4 L)
<b>Rear Wheels</b>	Tire Size: 18 x 8.50-8 Inflation Pressure: 15 psi (1,03 bar)
<b>Front Wheels</b>	Tire Size: 11 x 4.00-5 Inflation Pressure: 25 psi (1,72 bar)

## Transmissions:

<b>Make</b>	Hydro Gear
<b>Model</b>	ZC-AUBB-2ADB-1DPX (LH) ZC-DUBB-2ADC-1DPX (RH)
<b>Type</b>	EZT
<b>Hydraulic Fluid</b>	Sealed Unit
<b>Speeds</b>	Forward: 0-6 MPH (0-9.66 km/h)
<b>@ Specified rpm</b>	Reverse: 0-3 MPH (0-4.83 km/h)

## Dimensions:

<b>Overall Length</b>	75" (191 cm)
<b>Overall Width</b>	54" (137 cm)
<b>Height</b>	39" (99 cm)
<b>Weight (approx.)</b>	604 lbs (274 kg)

## Parts and Accessories

See an authorized dealer.

## Engine Power Rating Information

The gross power rating for individual gas engine models is labeled in accordance with SAE (Society of Automotive Engineers) code J1940 (Small Engine Power & Torque Rating Procedure), and rating performance has been obtained and corrected in accordance with SAE J1995 (Revision 2002-05). Torque values are derived at 3060 RPM; horsepower values are derived at 3600 RPM. Actual gross engine power will be lower and is affected by, among other things, ambient operating conditions and engine-to-engine variability. Given both the wide array of products on which engines are placed and the variety of environmental issues applicable to operating the equipment, the gas engine will not develop the rated gross power when used in a given piece of power equipment (actual "on-site" or net horsepower). This difference is due to a variety of factors including, but not limited to, accessories (air cleaner, exhaust, charging, cooling, carburetor, fuel pump, etc.), application limitations, ambient operating conditions (temperature, humidity, altitude), and engine-to-engine variability. Due to manufacturing and capacity limitations, Briggs & Stratton may substitute an engine of higher rated power for this Series engine.

# WARRANTY

## CRAFTSMAN TWO YEAR FULL WARRANTY

FOR TWO YEARS from the date of purchase, if any non-expendable part of this riding equipment fails due to a defect in material or workmanship, visit [www.craftsman.com](http://www.craftsman.com) or call 1-800-659-5917 to arrange for free in-home repair.

The frame and front axle will be repaired free of charge for five years from the date of purchase if defective in material or workmanship.

In all cases, if repair proves impossible, the riding equipment will be replaced free of charge with the same or an equivalent model.

The battery will be replaced free of charge for 90 days from the date of purchase if defective in material or workmanship (our testing proves that it will not hold a charge).

This warranty is void if this product is ever used while providing commercial services or if rented to another person.

**This warranty covers ONLY defects in material and workmanship. Warranty coverage does NOT include:**

- Expendable items that can wear out from normal use within the warranty period, including but not limited to blades, spark plugs, air cleaners, belts, and oil filters.
- Standard maintenance servicing, oil changes, or tune-ups.
- Tire replacement or repair caused by punctures from outside objects, such as nails, thorns, stumps, or glass.
- Tire or wheel replacement or repair resulting from normal wear, accident, or improper operation or maintenance.
- Repairs necessary because of operator abuse, including but not limited to damage caused by towing objects beyond the capability of the riding equipment, impacting objects that bend the frame or crankshaft, or over-speeding the engine.
- Repairs necessary because of operator negligence, including but not limited to, electrical and mechanical damage caused by improper storage, failure to use the proper grade and amount of engine oil, failure to keep the deck clear of flammable debris, or failure to maintain the riding equipment according to the instructions contained in the operator's manual.
- Engine (fuel system) cleaning or repairs caused by fuel determined to be contaminated or oxidized (stale). In general, fuel should be used within 30 days of its purchase date.
- Normal deterioration and wear of the exterior finishes, or product label replacement.

This warranty gives you specific legal rights, and you may also have other rights which vary from state to state.

Sears Brands Management Corporation, Hoffman Estates, IL 60179

# REPAIR PROTECTION AGREEMENT

*Congratulations on making a smart purchase.*

Your new Craftsman® product is designed and manufactured for years of dependable operation. But like all products, it may require repair from time to time. That's when having a Repair Protection Agreement can save you money and aggravation.

## **Here's what the Repair Protection Agreement\* includes:**

- ☑ **Expert service** by our 10,000 professional repair specialists
- ☑ **Unlimited service and no charge** for parts and labor on all covered repairs
- ☑ **Product replacement** up to \$1500 if your covered product can't be fixed
- ☑ **Discount of 10%** from regular price of service and related installed parts not covered by the agreement; also, 10% off regular price of preventive maintenance check
- ☑ **Fast help by phone** – we call it Rapid Resolution – phone support from a Sears representative. Think of us as a “talking owner’s manual.”

Once you purchase the Repair Protection Agreement, a simple phone call is all that it takes for you to schedule service. You can call anytime day or night, or schedule a service appointment online.

The Repair Protection Agreement is a risk-free purchase. If you cancel for any reason during the product warranty period, we will provide a full refund. Or, a prorated refund anytime after the product warranty period expires. Purchase your Repair Protection Agreement today!

**Some limitations and exclusions apply. For prices and additional information in the U.S.A. call 1-800-827-6655.**

**\*Coverage in Canada varies on some items. For full details call Sears Canada at 1-800-361-6665.**

## **Sears Installation Service**

*For Sears professional installation* of home appliances, garage door openers, water heaters, and other major home items, in the U.S.A. or Canada call **1-800-4-MY-HOME®**.

