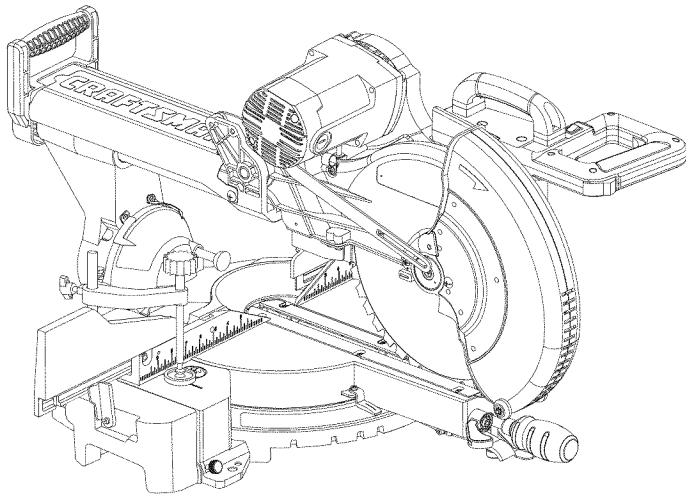


Operator's Manual

CRAFTSMAN

12 IN. DUAL BEVEL SLIDING COMPOUND MITER SAW WITH LASER TRAC®

Model No. 137.186290



C US

CAUTION:

Before using this Miter Saw, read this manual and follow all its Safety Rules and Operating Instructions

- Safety Instructions
- Installation
- Operation
- Maintenance
- Parts List

**Customer Help Line
For Technical Support
1-800-843-1682**

**Sears Parts &
Repair Center
1-800-488-1222**

Sears Brands Management Corporation Hoffman Estates, IL 60179 USA
See the full line of Craftsman® products at craftsman.com
Click on the Craftsman Club® link and join today!
Part No. 137186290001

Printed in Taiwan

TABLE OF CONTENTS

SECTION	PAGE
Warranty	2
Product Specifications	3
Symbols.....	4
Power Tool Safety	5
Compound Miter Saw Safety	7
Electrical Requirements and Safety	9
Accessories and Attachments	11
Tools Needed for Assembly	12
Carton Contents	13
Know Your Compound Miter Saw	14
Glossary of Terms	15
Assembly	17
Adjustments	22
Operation	28
Maintenance	41
Troubleshooting Guide	43
Parts List	45
Repair Protection Agreements	50

WARRANTY

CRAFTSMAN PROFESSIONAL ONE YEAR FULL WARRANTY

FOR ONE YEAR from the date of purchase, this product is warranted against any defects in material or workmanship. A defective product will receive free repair or replacement if repair is unavailable.

For warranty coverage details to obtain free repair or replacement, visit the web site: www.craftsman.com

This warranty does not cover the blade, which is an expendable part that can wear out from normal use within the warranty period.

This warranty gives you specific legal rights, and you may also have other rights which vary from state to state.

Sears Brands Management Corporation, Hoffman Estates, IL 60179

WARNING

Some dust created by power sanding, sawing, grinding, drilling and other construction activities contains chemicals known to the state of California to cause cancer, birth defects or other reproductive harm. Some examples of these chemicals are:

- Lead from lead-based paints,
- Crystalline silica from bricks and cement and other masonry products, and
- Arsenic and chromium from chemically-treated lumber.

Your risk from these exposures varies, depending on how often you do this type of work. To reduce your exposure to these chemical: work in a well ventilated area, and work with approved safety equipment, such as those dust masks that are specially designed to filter out microscopic particles.

PRODUCT SPECIFICATIONS

Motor:

Power Source	120V AC, 60 Hz, 15 Amp
Speed	4200 RPM (No load)
Brake	Electric
Double Insulated	Yes
Motor Arbor Shaft Size.....	5/8 in.

Blade Size:

Diameter.....	12 in.
Arbor size	1 in. w/a 5/8 in. reducer

Rotating Table:

Diameter.....	12-15/16 in.
Miter Detent Stops	0, 15, 22.5, 31.6, 45° Right & Left, 60° Right
Bevel Positive Stops	0, 33.9, 45° Right & Left

Cutting Capacity:

Crosscut	4 in. x 12-1/4 in.
Miter 45° Left.....	4 in. x 8-3/4 in.
Miter 60° Right.....	4 in. x 6-1/4 in.
Bevel 45° Left.....	2-3/16 in. x 12-1/4 in.
Bevel 45° Right.....	1-9/16 in. x 12-1/4 in.
45° Miter and 45° Bevel Left.....	2-3/16 in. x 8-3/4 in.
45° Miter and 45° Bevel Right.....	1-9/16 in. x 8-3/4 in.
Crown Moulding Nested.....	6-5/8 in.
Base Moulding Against Fence.....	4-1/4 in.

WARNING

To avoid electrical hazards, fire hazards or damage to the tool, use proper circuit protection. This tool is wired at the factory for 110-120 Volt operation. It must be connected to a 110-120 Volt / 15 Ampere time delay fuse or circuit breaker. To avoid shock or fire, replace power cord immediately if it is worn, cut or damaged in any way. Before using your tool, it is critical that you read and understand these safety rules. Failure to follow these rules could result in serious injury to you or damage to the tool.

SYMBOLS

WARNING ICONS

Your power tool and its Operator's Manual may contain "WARNING ICONS" (a picture symbol intended to alert you to, and/or instruct you how to avoid, a potentially hazardous condition). Understanding and heeding these symbols will help you operate your tool better and safer. Shown below are some of the symbols you may see.



SAFETY ALERT: Precautions that involve your safety.



PROHIBITION



WEAR EYE PROTECTION: Always wear safety goggles or safety glasses with side shields.



WEAR RESPIRATORY AND HEARING PROTECTION: Always wear respiratory and hearing protection.



READ AND UNDERSTAND OPERATOR'S MANUAL: To reduce the risk of injury, user and all bystanders must read and understand Operator's manual before using this product.



KEEP HANDS AWAY FROM BLADE: Failure to keep your hands away from the blade will result in serious personal injury.



SUPPORT AND CLAMP WORK



DANGER: indicates an imminently hazardous situation which, if not avoided, will result in death or serious injury.



WARNING: indicates a potentially hazardous situation which, if not avoided, could result in death or serious injury.



CAUTION: indicates a potentially hazardous situation which, if not avoided, may result in minor or moderate injury.



CAUTION: used without the safety alert symbol indicates a potentially hazardous situation which, if not avoided, may result in property damage.



POWER TOOL SAFETY

GENERAL SAFETY INSTRUCTIONS BEFORE USING THIS POWER TOOL




Safety is a combination of common sense, staying alert and knowing how to use your power tool.

CAUTION

To avoid mistakes that could cause serious injury, do not plug the tool in until you have read and understood the following.

-  **1. READ** and become familiar with the entire Operator's Manual. **LEARN** the tool's application, limitations and possible hazards.
- 2. KEEP GUARDS IN PLACE** and in working order.
- 3. REMOVE ADJUSTING KEYS AND WRENCHES.** Form the habit of checking to see that keys and adjusting wrenches are removed from the tool before turning ON.
- 4. KEEP WORK AREA CLEAN.** Cluttered areas and benches invite accidents.
- 5. DO NOT USE IN DANGEROUS ENVIRONMENTS.** Do not use power tools in damp locations, or expose them to rain or snow. Keep work area well lit.
- 6. KEEP CHILDREN AWAY.** All visitors and bystanders should be kept a safe distance from work area.
- 7. MAKE WORKSHOP CHILD PROOF** with padlocks, master switches or by removing starter keys.
- 8. DO NOT FORCE THE TOOL.** It will do the job better and safer at the rate for which it was designed.
- 9. USE THE RIGHT TOOL.** Do not force the tool or an attachment to do a job for which it was not designed.
- 10. USE PROPER EXTENSION CORDS.** Make sure your extension cord is in good condition. When using an extension cord, be sure to use one heavy enough to carry the current your product will draw. An undersized cord will result in a drop in line voltage and in loss of power which will cause the tool to overheat. The table on page 10 shows the correct size to use depending on cord length and nameplate ampere rating. If in doubt, use the next heavier gauge. The smaller the gauge number, the heavier the cord.
- 11. WEAR PROPER APPAREL.** Do not wear loose clothing, gloves, neckties, rings, bracelets or other jewelry which may get caught in moving parts. Nonslip footwear is recommended. Wear protective hair covering to contain long hair.
-  **12. ALWAYS WEAR EYE PROTECTION.** Any power tool can throw foreign objects into the eyes and could cause permanent eye damage. **ALWAYS** wear Safety Goggles (not glasses) that comply with ANSI Safety standard Z87.1. Everyday eyeglasses have only impact-resistant lenses. They **ARE NOT** safety glasses. Safety Goggles are available at Sears. **NOTE:** Glasses or goggles not in compliance with ANSI Z87.1 could seriously injure you when they break.

POWER TOOL SAFETY

13.  **WEAR A FACE MASK OR DUST MASK.** Sawing operation produces dust.
14.  **SECURE WORK.** Use clamps or a vise to hold work when practical. It is safer than using your hand and it frees both hands to operate the tool.
15. **DISCONNECT TOOLS FROM POWER SOURCE** before servicing, and when changing accessories such as blades, bits and cutters.
16. **REDUCE THE RISK OF UNINTENTIONAL STARTING.** Make sure switch is in the OFF position before plugging the tool in.
17. **USE RECOMMENDED ACCESSORIES.** Consult this Operator's Manual for recommended accessories. The use of improper accessories may cause risk of injury to yourself or others.
18. **NEVER STAND ON THE TOOL.** Serious injury could occur if the tool is tipped or if the cutting tool is unintentionally contacted.
19. **CHECK FOR DAMAGED PARTS.** Before further use of the tool, a guard or other part that is damaged should be carefully checked to determine that it will operate properly and perform its intended function – check for alignment of moving parts, binding of moving parts, breakage of parts, mounting and any other conditions that may affect its operation. A guard or other part that is damaged should be properly repaired or replaced.
20. **NEVER LEAVE THE TOOL RUNNING UNATTENDED. TURN THE POWER "OFF".** Do not walk away from a running tool until the blade comes to a complete stop and the tool is unplugged from the power source.
21. **DO NOT OVERREACH.** Keep proper footing and balance at all times.
22. **NEVER** reach your hand or arm across the path of the cutting blade.
23. **MAINTAIN TOOLS WITH CARE.** Keep tools sharp and clean for best and safest performance. Follow instructions for lubricating and changing accessories.
24. **WARNING:** Dust generated from certain materials can be hazardous to your health. Always operate saw in well-ventilated area and provide for proper dust removal.
25.  **DANGER**
People with electronic devices, such as pacemakers, should consult their physician(s) before using this product. Operation of electrical equipment in close proximity to a heart pacemaker could cause interference or failure of the pacemaker.

COMPOUND MITER SAW SAFETY

SPECIFIC SAFETY INSTRUCTIONS FOR THIS COMPOUND MITER SAW

- DO NOT** operate the miter saw until it is completely assembled and installed according to these instructions.
- IF YOU ARE NOT** thoroughly familiar with the operation of miter saws, seek guidance from your supervisor, instructor or other qualified person.
- ALWAYS** hold the work firmly against the fence and table. **DO NOT** perform any operation free hand (use clamp wherever possible).
- KEEP HANDS** out of the path of the saw blade. If the workpiece you are cutting would cause your hands to be within 8-3/4 in. of the saw blade, the workpiece should be clamped in place before making the cut.
- BE SURE** the blade is sharp, runs freely and is free of vibration.
- ALLOW** the motor to come up to full speed before starting a cut.
- KEEP THE MOTOR AIR SLOTS CLEAN** and free of chips or dust.
- ALWAYS MAKE SURE** all handles are tight before cutting, even if the table is positioned in one of the positive stops.
- BE SURE** both the blade and the collar are clean and the arbor bolt is tightened securely.
- USE** only blade collars specified for your saw.
- NEVER** use blades larger in diameter than 12 inches.
- NEVER** apply lubricants to the blade when it is running.
- ALWAYS** check the blade for cracks or damage before operation. Replace a cracked or damaged blade immediately.
- NEVER** use blades recommended for operation at less than 4200 RPM.
- ALWAYS** keep the blade guards in place and use at all times.
- NEVER** reach around the saw blade.
- MAKE SURE** the blade is not contacting the workpiece before the switch is turned ON.
- IMPORTANT:** After completing the cut, release the trigger and wait for the blade to stop before returning the saw to the raised position.
- MAKE SURE** the blade has come to a complete stop before removing or securing the workpiece, changing the workpiece angle or changing the angle of the blade.
- NEVER** cut metals or masonry products with this tool. This miter saw is designed for use on wood and wood-like products.

COMPOUND MITER SAW SAFETY

21. **NEVER** cut small pieces. If the workpiece being cut would cause your hand or fingers to be within 8-3/4 in. of the saw blade the workpiece is too small.
22. **PROVIDE** adequate support to the sides of the saw table for long work pieces.
23. **NEVER** use the miter saw in an area with flammable liquids or gases.
24. **NEVER** use solvents to clean plastic parts. Solvents could possibly dissolve or otherwise damage the material.
25. **SHUT OFF** the power before servicing or adjusting the tool.
26. **DISCONNECT** the saw from the power source and clean the machine when finished using.
27. **MAKE SURE** the work area is clean before leaving the machine.
28. **SHOULD** any part of your miter saw be missing, damaged, or fail in any way, or any electrical component fail to perform properly, lock the switch and remove the plug from the power supply outlet. Replace missing, damaged, or failed parts before resuming operation.
29. Because of the downward cutting motion, your safety requires that you stay very alert to keeping hands and fingers away from the path that the blade travels.
30. Be sure all guards are in place and working. If a guard seems slow to return to its normal position or “hangs-up”, adjust or repair it immediately. Be alert at all times - especially during repetitive, monotonous operations. Don’t be lulled into carelessness due to a false sense of security. Blades are extremely unforgiving. Clean the lower guard frequently to help visibility and movement. Unplug before adjustment or cleaning.
31. Abrasive cut-off wheels should not be used on miter saws. Miter saw guards are not appropriate for abrasive cut-off wheels.
32. To avoid loss of control or placing hands in the path of the blade, hold or clamp all material securely against the fence when cutting. Do not perform operations freehand.
33. Support long material at the same height as the saw table.
34. After completing a cut, release the trigger switch and allow the blade to come to a complete stop, then raise the saw blade from the workpiece
35. Lock the miter saw head in the down position during transport or when not in use.
36. **DRY RUN** - It is important to know where the blade will intersect with the workpiece during cutting operations. Always perform a simulated cutting sequence with the power tool switched OFF to gain an understanding of the projected path of the saw blade. At some extreme angles, the right or left side fence might have to be removed to ensure proper clearance prior to making a cut.

ELECTRICAL REQUIREMENTS AND SAFETY

POWER SUPPLY AND MOTOR SPECIFICATIONS

The AC motor used in this saw is a universal, nonreversible type. See “MOTOR” in the “PRODUCT SPECIFICATIONS” section on page 3.

⚠ WARNING

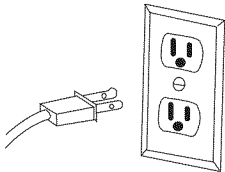
To avoid electrical hazards, fire hazards, or damage to the tool, use proper circuit protection. Your saw is wired at the factory for 120V operation. Connect to a 120V, 15A circuit and use a 15A time delay fuse or circuit breaker. To avoid shock or fire, if power cord is worn or cut, or damaged in any way, have it replaced immediately.

DOUBLE INSULATED

The power tool is double insulated to provide a double thickness of insulation between you and tool's electrical system. All exposed metal parts are isolated from the internal metal motor components with protecting insulation.

Replacement parts – When servicing, use only identical replacement parts.

Polarized plugs – This saw has a plug that looks like the one shown below:



To reduce the risk of electrical shock, this saw has a polarized plug (one blade is wider than the other). This plug

will fit in a polarized outlet only one way. If the plug does not fit fully in the outlet, reverse the plug. If it still does not fit, contact a qualified electrician to install the proper outlet. Do not change the plug in any way.

⚠ WARNING

Double insulation does not take the place of normal safety precautions when operating this tool.

To avoid electrocution:

1. Use only identical replacement parts when servicing a tool with double insulation. Servicing should be performed by a qualified technician.
2. Do not use power tools in wet or damp locations or expose them to rain or snow.

MOTOR SAFETY PROTECTION IMPORTANT

To avoid motor damage, the motor should be blown out or vacuumed frequently to keep sawdust from interfering with the motor ventilation.

1. **Connect** this saw to a 120V circuit. This circuit must not be less than a #12 wire with a 20A time lag fuse or a #14 wire with a 15A time lag fuse.

NOTE: When using an extension cord on a circuit with a #14 wire, the extension cord must not exceed 25 feet in length.

2. If the motor will not start, release the trigger switch immediately.

UNPLUG THE SAW. Check the saw blade to make sure it turns freely. If the blade is free, try to start the saw again. If the motor still does not start, refer to the **TROUBLESHOOTING GUIDE.**

ELECTRICAL REQUIREMENTS AND SAFETY

3. If the tool suddenly stalls while cutting wood, release the trigger switch, unplug the tool and free the blade from the wood. The saw may now be started and the cut finished.
4. **FUSES** may “blow” or circuit breakers may trip frequently if:
 - a. **MOTOR** is overloaded – overloading can occur if you feed too rapidly or make too many start/stops in a short time.
 - b. **LINE VOLTAGE** is more than 10% above or below the nameplate voltage rating. For heavy loads, the voltage at motor terminals must equal the voltage specified on the nameplate.
 - c. **IMPROPER** or dull saw blades are used.
5. Most motor troubles may be traced to loose or incorrect connections, overload, low voltage or inadequate power supply wiring. Always check the connections, the load and supply circuit if the motor doesn’t run well. Check minimum gauge for the length of cord you are using on the chart below.

GUIDELINES FOR EXTENSION CORDS

Use a proper extension cord. Make sure your extension cord is in good condition. When using an extension cord, be sure to use one heavy enough to carry the current your product will draw. An undersized cord will cause a drop in line voltage, resulting in loss of power and overheating. The table below shows the correct size to use depending on cord length and

nameplate ampere rating. If in doubt, use the next heavier gauge. The smaller the gauge number, the heavier the cord.

Be sure your extension cord is properly wired and in good condition. Always replace a damaged extension cord or have it repaired by a qualified person before using it. Protect your extension cords from sharp objects, excessive heat and damp or wet areas. **Use a separate electrical circuit for your tools.** This circuit must not be less than a #12 wire with a 20A time lag fuse or a #14 wire with a 15A time lag fuse. **NOTE:** When using an extension cord on a circuit with a #14 wire, the extension cord must not exceed 25 feet in length. Before connecting the tool to the power line, make sure the switch is in the OFF position and the electric current is rated the same as the current stamped on the motor nameplate, running at a lower voltage will damage the motor.

MINIMUM GAUGE FOR EXTENSION CORDS (AWG)					
(When using 120 volts only)					
Ampere Rating		Total length of Cord			
More Than	Not More Than	25ft.	50ft.	100ft.	150ft.
0	6	18	16	16	14
6	10	18	16	14	12
10	12	16	16	14	12
12	16	14	12	Not Recommended	

CAUTION: In all cases make certain the receptacle in question is properly grounded. If you are not sure, have a certified electrician check the receptacle.

ACCESSORIES AND ATTACHMENTS

RECOMMENDED ACCESSORIES

WARNING

- Use only accessories recommended for this miter saw. Follow instructions that accompany accessories. Use of improper accessories may cause hazards.
- The use of any cutting tool except 12 in. saw blades which meet the requirements under recommended accessories is prohibited. Do not use accessories such as shaper cutters or dado sets. Ferrous metal cutting and the use of abrasive wheels is prohibited.
- Do not attempt to modify this tool or create accessories not recommended for use with this tool. Any such alteration or modification is misuse and could result in a hazardous condition leading to possible serious injury.

ACCESSORIES

Visit a Craftsman Hardware Department or see the Craftsman Power and Hand Tool Catalog to purchase recommended accessories for this power tool.

WARNING

To avoid the risk of personal injury, do not modify this power tool or use accessories that are not Craftsman recommended.

WARNING

Read warnings and conditions on your CARBIDE TIPPED SAW BLADE. Do not operate the saw without the proper saw blade guard in place. Carbide is a very hard but brittle material. Care should be taken while mounting, using, and storing carbide tipped blades to prevent accidental damage. Slight shocks, such as striking the tip while handling, can seriously damage the blade. Foreign objects in the workpiece, such as wire or nails, can also cause tips to crack or break off. Before using, always visually examine the blade and tips for bent blade, cracks, breakage, missing or loose tips, or other damage. Do not use if damage is suspected. Failure to heed safety instructions and warnings can result in serious bodily injury.

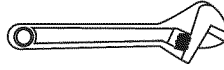
TOOLS NEEDED FOR ASSEMBLY

Supplied



Blade Wrench

Not supplied



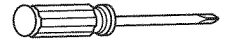
Adjustable Wrench



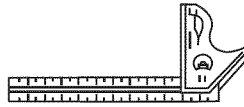
Phillips Screwdriver



5 mm Hex Wrench



Slotted Screwdriver



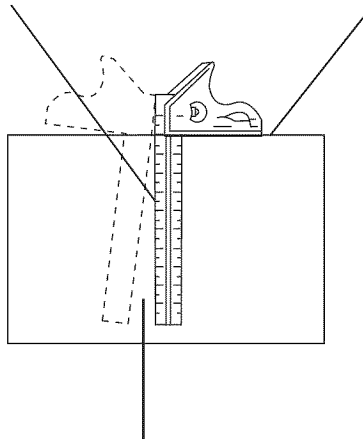
Combination Square

COMBINATION SQUARE MUST BE TRUE

Should not gap or overlap when square is flipped over (see dotted figure).

Draw light line on board along this edge.

Straight edge or a 3/4 in. board, this edge must be perfectly straight.



Should not gap or overlap when square flipped over (see dotted figure).

CARTON CONTENTS

UNPACKING YOUR MITER SAW

⚠ WARNING

To avoid injury from unexpected starting or electrical shock, do not plug the power cord into a source of power during unpacking and assembly. This cord must remain unplugged whenever you are working on the saw.

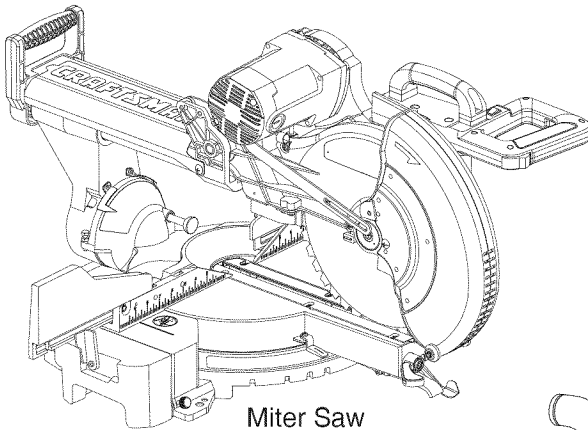
1. Remove the miter saw from the carton.

IMPORTANT: Do not lift miter saw by the trigger switch handle. It may cause misalignment. Lift machine by the built-in carry handle.

2. Place the saw on a secure stationary work surface.
3. Separate all parts from the packing material. Check each one with the illustration to make certain all items are accounted for, before discarding any packing material.

⚠ WARNING

If any part is missing or damaged, do not attempt to assemble the miter saw, or plug in the power cord until the missing or damaged part is correctly replaced. To avoid electric shock, use only identical replacement parts when servicing double insulated tools. Call 1-800-4-MY-HOME® for replacement parts.



Miter Saw



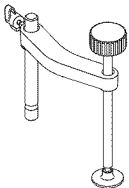
Operator's Manual



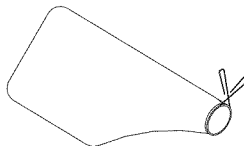
Dust Port Elbow



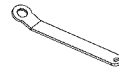
Hold-down Clamp
Lock Knobs



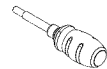
Hold-down Clamp



Dust Bag

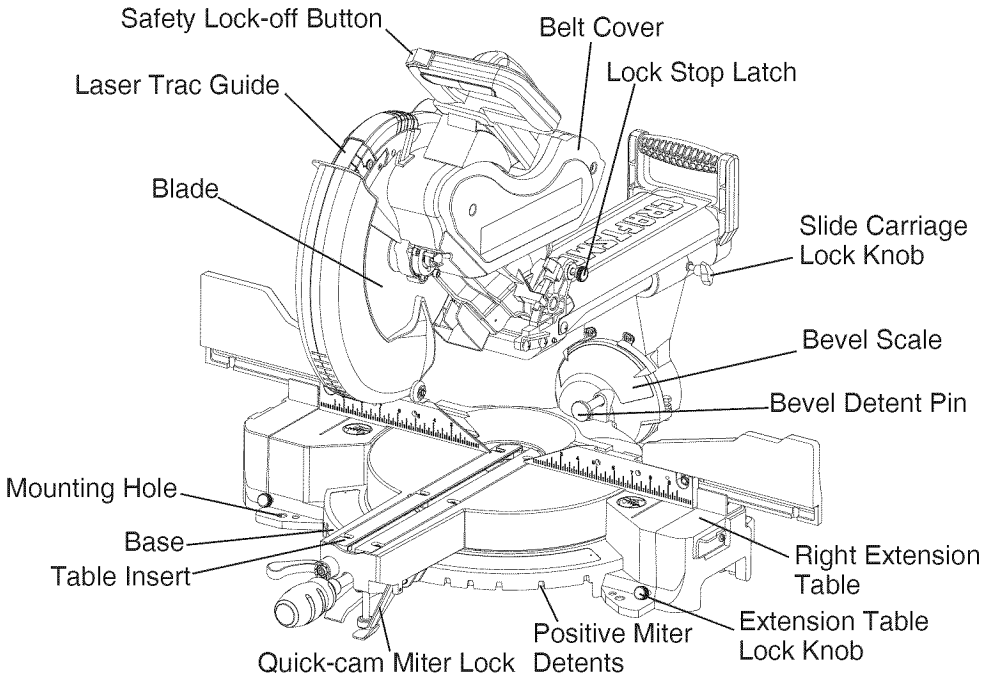
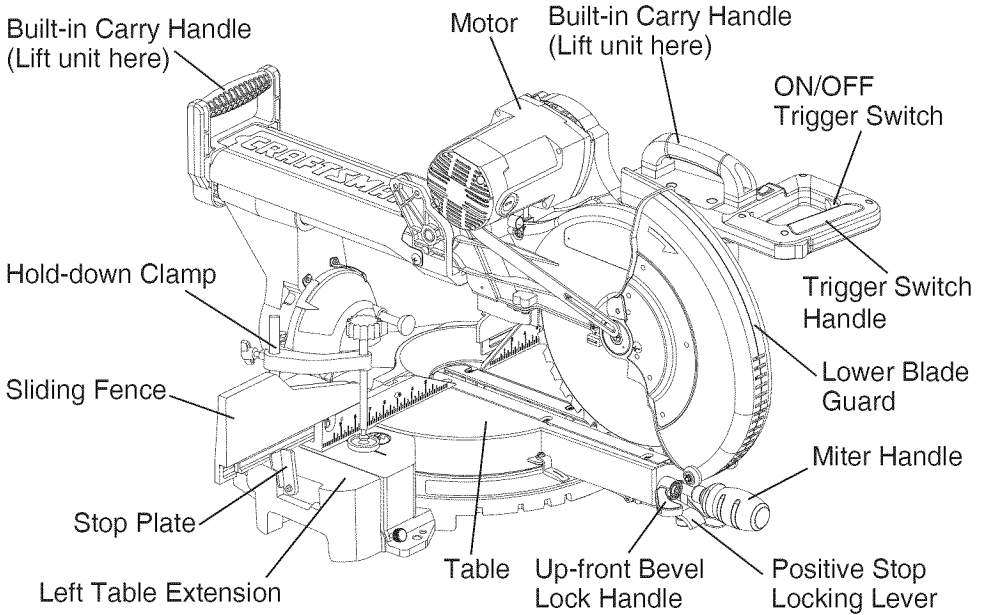


Blade Wrench



Miter Handle

KNOW YOUR COMPOUND MITER SAW



GLOSSARY OF TERMS

AMPERAGE (AMPS) – A measure of the flow of electric current. Higher ratings generally means the tool is suited for heavier use.

ARBOR LOCK – Allows the user to keep the blade from rotating while tightening or loosening the arbor bolt during blade replacement or removal.

BASE – Supports the table, holds accessories and allows for workbench or leg set mounting.

BEVEL LOCKING HANDLE – Locks the miter saw at a desired bevel angle.

BEVEL SCALE – To measure the bevel angle of the saw blade 0° to 45° left and right.

CARBIDE TIPPED – Extremely hard steel pieces with sharp cutting edges fastened to cutting tools such as saw blades.

COVER PLATE SCREW – Loosen this screw and rotate the plate for access to the blade arbor bolt.

DOUBLE-INSULATED – A form of electrical protection featuring two separate insulation systems to help protect against electrical shock.

EXTENSION CORD – An electric cord used between power tools and outlets to extend the range of the tools. The more amperage your tool uses, the longer the distance, the larger the size of the wire needed in your extension cord.

EYE PROTECTION – Goggles or spectacles intended to protect your eyes. Eye protection should meet the

requirements of ANSI Z.87.1 (USA) or CSA Z94.3-M88 (Canada).

FACE SHIELD – An impact resistant shield that helps to protect your face from chips, sparks, small debris. Should only be used in conjunction with additional eye protection.

FENCE – Helps to keep the workpiece from moving when sawing. Scaled to assist with accurate cutting.

GUARD – Protective device that forms a barrier between a hazardous object such as a blade, wheel or cutter and the operator.

LOCK STOP LATCH – Locks the miter saw in the lowered position for compact storage and transportation.

INSTRUCTION OR OPERATOR'S MANUAL – Booklet accompanying your power tool that describes the hazards and safe operation procedures, outlines basic tool operation, care and maintenance.

MITER HANDLE – Used to rotate the table, and to rotate the saw to a right or left cutting position.

MITER SCALE – Measures the miter angle of the saw blade. Positive stop index points have been provided at 0°, 15°, 22.5°, 31.6° and 45° right and left, and 60° right.

MOUNTING HOLES – To mount the miter saw to a stable surface.

GLOSSARY OF TERMS

ON/OFF TRIGGER SWITCH – To start the tool, squeeze the trigger. Release the trigger to turn off the miter saw.

POSITIVE STOP LOCKING LEVER – Locks the miter saw at a preset positive stop for the desired miter angle.

SWITCH HANDLE – The switch handle contains the trigger switch and the laser on/off switch. The blade is lowered into the workpiece by pushing down on the handle. The saw will return to its upright position when the handle is released.

WARNING LABELS – Read and understand for your own safety. Make sure all labels are present on machine and legible.

WRENCH STORAGE – Convenient storage to prevent misplacing the blade wrench.

WOODWORKING TERMS

ARBOR – The shaft on which a blade is mounted.

BEVEL CUT – An angle cut made through the face of the workpiece.

COMPOUND CUT – An angled cut to both the edge and face of a board, most common use is with crown molding.

CROSS CUT – A cut which runs across the board perpendicular to the grain.

FREEHAND – Performing a cut without using a fence (guide), hold down or other proper device to prevent the workpiece from twisting during the cutting operation.

HEEL – Misalignment of the blade.

KERF – The width of a saw cut, determined by the thickness and set of the blade.

KICKBACK – sudden and unintended movement of the tool or workpiece. It is typically caused by binding or pinching of the workpiece.

MITER CUT – A miter is a type of joint where the two parts to be joined are cut at an angle, and typically the finished joint forms a 90-degree angle. Also commonly spelled “mitre”.

REVOLUTIONS PER MINUTE (RPM) – The number of turns completed by a spinning object in one minute.

SAW BLADE PATH – The area of the workpiece or table top directly in line with the travel of the blade or the part of the workpiece which will be cut.

SET – The distance between two saw blade tips, bent outward in opposite directions to each other. The further apart the tips are, the greater the set.

THIN-KERF BLADE – Thinner than normal blades, remove less material, smaller kerfs (between .065 in. and .070 in.). Blade thinness also may increase the heat generated while cutting.

WORKPIECE – The wood being cut. The surfaces of a workpiece are commonly referred to as faces, ends and edges.

ASSEMBLY

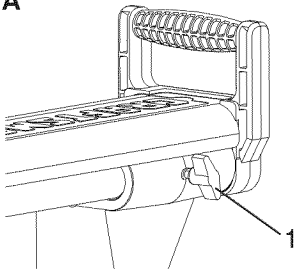
▲ WARNING

To avoid injury, do not connect this miter saw to the power source until it is completely assembled and adjusted and you have read and understood this Operator's Manual.

UNLOCKING THE SLIDE CARRIAGE (FIG. A)

After removing the saw from the carton, by the two carry handles, loosen the slide carriage lock knob (1). When transporting or storing the miter saw, the slide carriage should always be locked in position. The slide carriage lock knob (1) is located on the right side of the slide carriage.

Fig. A



LOCKING THE CUTTING HEAD (FIG. B)

▲ WARNING

To avoid injury and damage to the saw, transport or store the miter saw with the cutting head in the down position. NEVER use the lock stop latch to hold the cutting head in a down position for cutting operations.

To unlock the cutting head from the collapsed position:

1. Push down slightly on the cutting head (1).

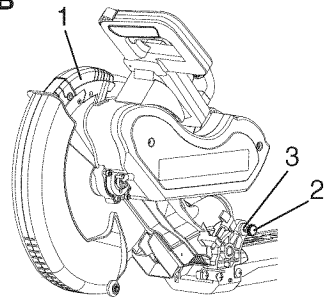
2. Pull out the lock stop latch (2).
3. Allow the cutting head to rise to the uppermost position.

When transporting or storing the miter saw, the cutting head should always be locked in the down position:

1. Push the cutting head (1) down to the collapsed position.
2. Push the lock stop latch (2) into the locking hole (3).

IMPORTANT: To avoid damage, never carry the miter saw by the switch handle, the cutting arm, or the miter table handle. ALWAYS use the designated carrying handles located on the top of the machine.

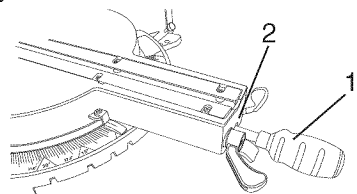
Fig. B



INSTALLING THE MITER HANDLE (FIG. C)

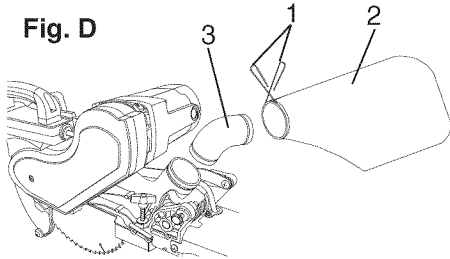
1. Thread the miter handle (1) into the hole located at the front of the miter saw (2).

Fig. C



INSTALLING THE DUST BAG (FIG. D)

1. Install the dust port elbow (3) on the dust port located in the back of the saw head, behind the motor.
2. Place the dust bag neck opening around the dust port elbow (3), and release the metal collar.



To empty the dust bag (2), squeeze the metal collar (1) and remove from dust port elbow. Open the zipper on underside of the bag and empty into waste container.

NOTE: Check frequently and empty bag before it gets full.

NOTE: A vacuum hose can be attached to the saw dust port instead of the dust bag and elbow.

INSTALLING THE SAFETY HOLD-DOWN CLAMP (FIG. E, F)

1. Place the hold-down clamp assembly (1) into one of the mounting holes (2) located behind the fence.
2. Thread the hold-down clamp knob (3) into the hole (2) located at the rear of the saw base.
3. Tighten the hold-down clamp knob (3).

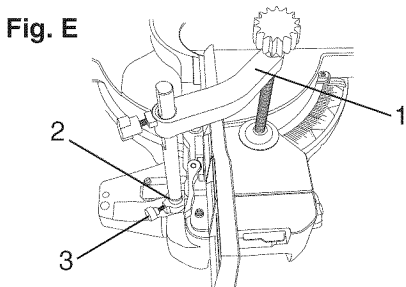
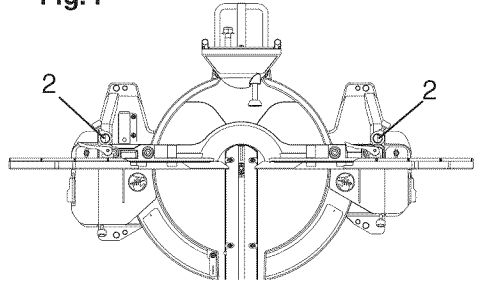


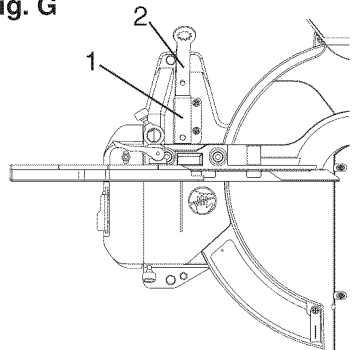
Fig. F



SAW BLADE WRENCH (FIG. G)

For convenient storage and prevention of loss, there is a clip (1) located at the rear of the base for storing the blade wrench (2).

Fig. G



REMOVING AND INSTALLING THE TABLE INSERT (FIG. H)

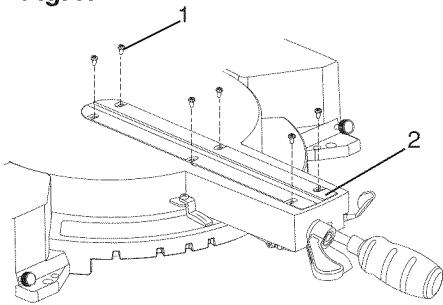
WARNING

TO AVOID INJURY:

- Always unplug the saw to avoid accidental starting. Remove all small pieces of material from the table cavity underlying the table insert before performing any cuts. The table insert may be removed for this purpose, but always re-attach the table insert prior to performing a cutting operation.

- Do not start the sliding compound miter saw without checking for interference between the blade and table insert. Damage could result to the blade, table insert or turntable if blade strike occurs during the cutting operation.
1. To remove, loosen and remove the six screws (1) on the table inserts (2) with a Phillips screwdriver and remove the table insert.
 2. To install, reposition the table insert, install the six screws and tighten.
 3. Check for blade clearance by moving the slide carriage through the full motion of the blade in the table slot.

Fig. H



MOUNTING THE MITER SAW (FIG. H, I)

▲ WARNING

To avoid injury from unexpected saw movement:

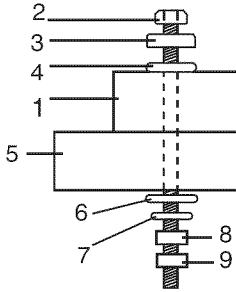
- Disconnect the power cord from the outlet, and lock the cutting head in the lower position using the stop latch.
 - Lock the slide carriage in place by tightening the slide carriage lock knob.
- To avoid back injury, lift the saw by using the designated carrying handles located on the top of the machine. When lifting, bend at your knees, not from your back.
 - Never carry the miter saw by the power cord or by the switch handle. Carrying the tool by the power cord could cause damage to the insulation or the wire connections resulting in electric shock or fire.
 - To avoid injury from flying debris, do not allow visitors to stand near the saw during any cutting operation.
 - Support the saw on a level work surface.
 - Bolt or clamp the saw to its support.

Mounting instructions

1. **For stationary use**, place the saw in the desired location, directly on a workbench where there is room for handling and proper support of the workpiece. The base of the saw has eight mounting holes, four 1/4 in. holes and four 3/8 in. holes. Select the proper mounting holes based on the size of bolts used. Bolt the base of the miter saw (1) to the work surface (5), using the fastening method as shown in Fig I.

Fig. I

1. Miter saw base
2. Hex head bolt
3. Rubber washer
4. Flat washer
5. Work surface
6. Flat washer
7. Lock washer
8. Hex nut
9. Jam nut



NOTE: Mounting hardware is not included with this tool. Bolts, nuts, washers and screws must be purchased separately.


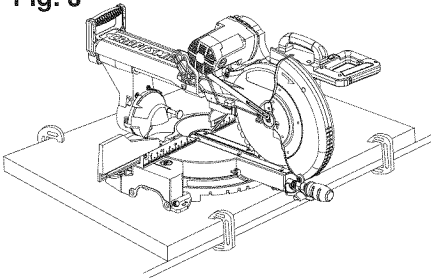
2.  For portable use, place the saw on a 3/4 in. thick piece of plywood. Bolt the base of the miter saw securely to the plywood using the mounting holes on the base. Use C-clamps to clamp this mounting board to a stable work surface at the worksite. (Fig. J)

Fig. J



REMOVING AND INSTALLING THE BLADE (FIG. K, L, M)

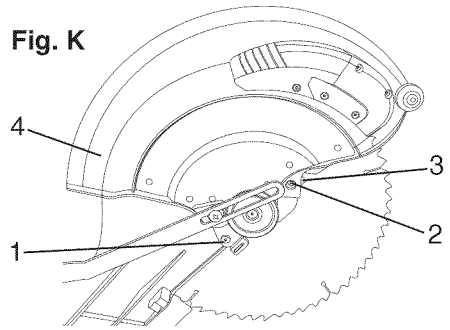
▲ WARNING

Do not use a blade larger than 12 in. in diameter. To avoid injury from an accidental start, make sure the switch is in the OFF position and the plug is not connected to the power source outlet.

Removing Blade

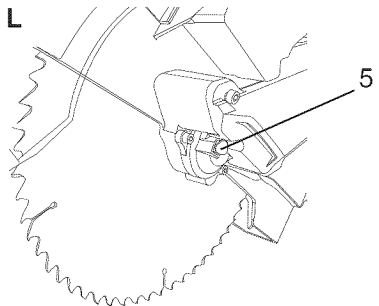
1. Unplug the saw from the outlet.
 2. Raise the miter saw to the upright position.
 3. Loosen the lower cover plate screw (1) and the upper cover plate screw (2) using a Phillips screwdriver.
- NOTE:** Do not remove the two screws.
4. Rotate the cover plate (3) and blade guard (4) to expose the arbor bolt (6-Fig M).
 5. Place the blade wrench over the arbor bolt.

Fig. K



7. Locate the arbor lock button (5) on the motor, below the belt cover. (Fig. L)
8. Press the arbor lock, holding it in firmly while turning the blade clockwise. The arbor lock will engage after turning the wrench. Continue to hold the arbor lock while turning the wrench clockwise to loosen the arbor bolt.

Fig. L

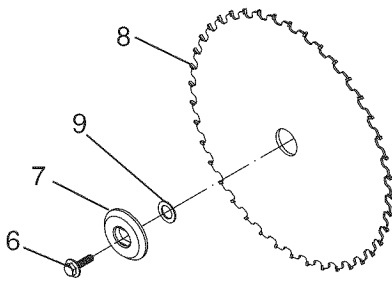


9. Remove the arbor bolt (6), the blade collar (7), and the blade (8). Do not remove the inner blade collar. (Fig. M)

10. Raise the lower clear plastic blade guard (4) to the upright position to remove the blade. (Fig. K)

NOTE: Pay attention to the pieces removed, noting their position and the direction they face. Wipe the blade collars clean of any sawdust before installing a new blade. Also, the 12 in. blade has a 1 in. arbor hole with a 5/8 in. reducer (9) to mount onto the saw.

Fig. M



Installing Blade (Fig. K, L, M)

▲ WARNING

Un-plug the miter saw before changing/installing the blade.

1. Install a 12 in. blade with a 5/8 in. arbor (or a 1 in. arbor blade with a 5/8 in. reducer) making sure the rotation arrow on the blade matches the clockwise rotation arrow on the upper guard, and the blade teeth are pointing downward.
2. Place the blade collar (7) against the blade and on the arbor. Thread the arbor bolt (6) on the arbor in a counterclockwise direction. (Fig. M)

IMPORTANT: Make sure the flats of the blade collars are engaged with the flats on the arbor shaft. Also, the flat-side of the arbor collar must be placed against the blade.

3. Place the blade wrench on the arbor bolt (6).
 4. Press the arbor lock button (5), holding it in firmly while turning the blade counterclockwise. When it engages, continue to press the arbor lock button in, while tightening the arbor bolt securely. (Fig. L)
 5. Rotate the cover plate (3) back to its original position until the slot in the cover plate engages with the upper cover plate screw (1) and lower cover plate screw (2). While holding the lower blade guard, tighten the screw with a Phillips screwdriver. (Fig. K)
- NOTE:** The lower blade guard must be raised to the upright position to access the cover plate screw.
6. Lower the clear retractable blade guard (4) and verify the operation of the guard does not bind or stick (Fig. K).
 7. Be sure the arbor lock is released so the blade turns freely by spinning the blade until the arbor lock disengages.

▲ WARNING

- **To avoid injury, never use the saw without the cover plate secure in place. It keeps the arbor bolt from falling out if it accidentally loosens, and helps prevent the spinning blade from coming off the saw.**
- **Make sure the collars are clean and properly arranged. Lower the blade into the table and check for any contact with the metal base or the saw table.**

ADJUSTMENTS

BEVEL STOP ADJUSTMENT

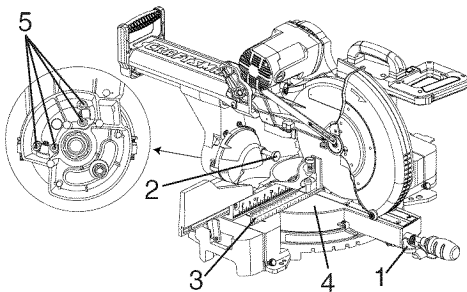
▲ WARNING

To avoid injury from an accidental start, make sure the switch is in the OFF position and the plug is not connected to the power source outlet.

90°(0°) Bevel Adjustment (Fig. N, O)

1. Loosen bevel lock handle (1) and tilt the cutting arm while pushing in the bevel detent pin (2) in against the 0° bevel stop. Tighten the bevel lock handle.
2. Place a combination square (3) on the miter table (4) with the rule against the table and heel of the square against the saw blade.
3. If the blade is not 0° to the miter table, loosen the four adjustment bolts (5) at the rear of the unit with a 5 mm hex wrench. Unlock the bevel lock handle (1) and adjust the cutting arm zero degrees to the table. Tighten the bevel lock handle and the four adjustment bolts after alignment is achieved.

Fig. N



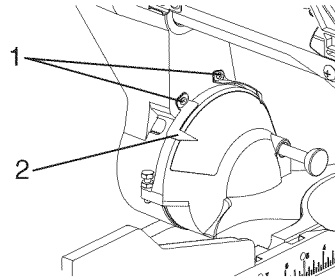
Bevel Scale Indicators (Fig. O)

1. When the blade is exactly 90°(0°) to the table, loosen the bevel indicator

screws (1) using a #2 Phillips screwdriver.

2. Adjust bevel indicators (2) to the "0" mark on the bevel scale and retighten the screws.

Fig. O



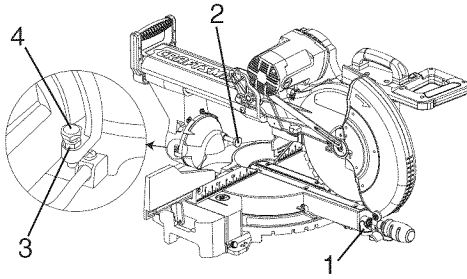
45° Left Bevel Positive Stop Adjustment (Fig. P)

1. Set the miter angle to zero degrees. Fully extend the sliding fence completely to the left then pull the bevel detent pin (2) toward the front of the machine.

NOTE: When retracting the bevel detent pin, it may be required to shift the miter saw upper arm assembly to the left/right.

2. Loosen the bevel lock handle (1) and tilt the cutting arm completely to the left.
3. Using a combination square, check to see if the blade is 45° to the table.
4. To adjust, tilt the cutting arm to zero degrees, loosen the locknut (3) and turn the bolt (4) in or out accordingly.
5. Tilt the cutting arm back to the left and recheck alignment.
6. Repeat steps until the blade is 45° to the table. Once alignment is achieved, tighten the locknut (3) to secure the positive stop bolt.

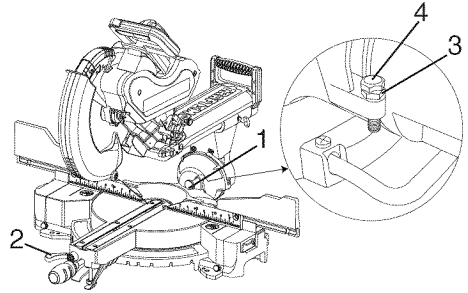
Fig. P



45° Right Bevel Positive Stop Adjustment (Fig. Q)

1. Set the miter angle to zero degrees. Fully extend the sliding fence completely to the right then pull the bevel detent pin (1) toward the front of the machine. **NOTE:** When retracting the bevel detent pin, it may be required to shift the miter saw upper arm assembly to the left/right.
2. Loosen the bevel lock handle (2) and tilt the cutting arm completely to the right.
3. Using a combination square, check to see if the blade is 45° to the table.
4. To adjust, tilt the cutting arm to zero degrees, loosen the locknut (3) and turn the bolt (4) in or out accordingly.
5. Tilt the cutting arm back to the right and recheck alignment.
6. Repeat steps until the blade is 45° to the table. Once alignment is achieved, tighten the locknut (3) to secure the positive stop bolt.

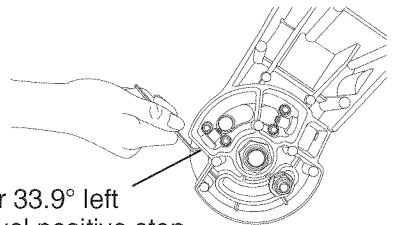
Fig. Q



33.9° Left & Right Bevel Adjustment (Fig. R, S)

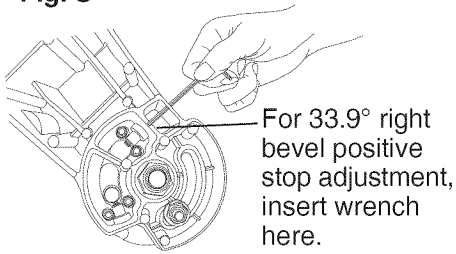
1. Set the miter angle to zero degrees. Fully extend both sliding fences.
2. Loosen the bevel lock handle and tilt cutting arm to the 33.9° left bevel positive stop by pushing in on the bevel detent pin toward the rear of the machine.
3. Using a combination square, check to see if the blade is 33.9° to the table.
4. To adjust, turn the screw in or out with a wrench (from the locations shown below) until the blade is 33.9° to the table.
5. Repeat steps for the right bevel 33.9° bevel adjustment.

Fig. R



For 33.9° left bevel positive stop adjustment, insert wrench here

Fig. S



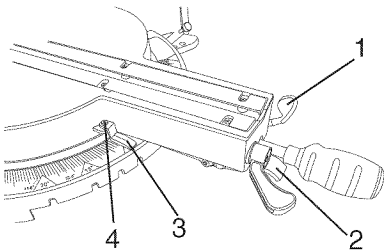
NOTE: View from rear of machine

MITER ANGLE ADJUSTMENT (FIG. T)

The sliding compound miter saw scale can be easily read, showing miter angles from 0° to 45° to the left, and 0° to 60° to the right. The miter saw table has ten of the most common angle settings with positive stops at 0°, 15°, 22.5°, 31.6°, 45° left and right, and 60 to the right. These positive stops position the blade at the desired angle quickly and accurately. Follow the process below for quickest and most accurate adjustments.

1. Lift up on the quick-cam miter lock (1) to unlock the table.
2. Move the turntable while lifting up on the positive stop locking lever (2) to align the indicator (3) to the desired degree measurement.
3. Lock the table into position by pressing down on the quick-cam miter lock (1).

Fig. T



MITER SCALE INDICATOR ADJUSTMENT (FIG. T)

1. Move the table to the 0° positive stop.
2. Loosen the screw (4) that holds the indicator with a Phillips screwdriver.
3. Adjust the indicator (3) to the 0° mark and retighten screw (4).

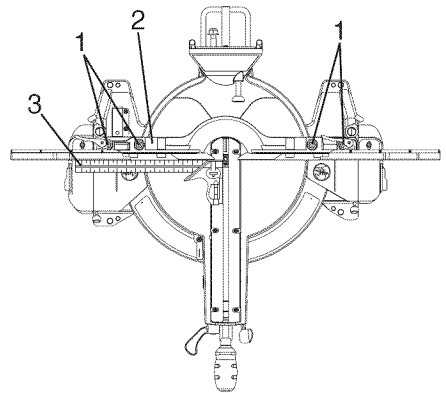
ADJUSTING FENCE SQUARENESS (FIG. U)

1. Loosen the four fence locking bolts (1).
2. Lower the cutting arm and lock in position.
3. Using a square (3), lay the heel of the square against the blade and the ruler against the fence (2) as shown.
4. Adjust the fence 90° to the blade and tighten the four fence locking bolts.

CAUTION: If the saw has not been used recently, recheck blade squareness to the fence and readjust if needed.

5. After fence has been aligned, using a scrap piece of wood, make a cut at 90° then check squareness on the piece. Readjust if necessary.

Fig. U



POSITIVE STOP MITER ANGLE

ADJUSTMENT (FIG. V)

1. Unlock the miter table by lifting up on the quick-cam miter table lock (1).
2. While raising the positive stop locking lever (2) up, grasp the miter handle and rotate the miter table left or right to the desired angle.
3. Release the positive stop locking lever and set the miter at the desired angle making sure the lever snaps into place. **NOTE:** The lever will only lock into place at one of the ten positive stops.
4. Once angle is achieved, press down on the quick-cam miter table lock (1).

QUICK-CAM MITER TABLE LOCK OPERATION (FIG. V)

If miter angles required are NOT one of the ten positive stops noted above, the miter table can be locked at any angle between these positive stops by using the quick-cam miter table lock.

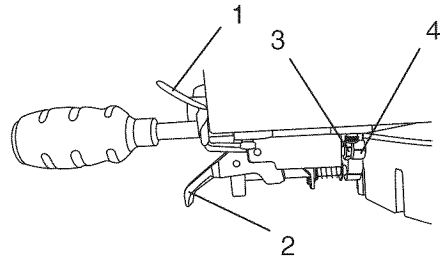
1. Unlock the miter table by lifting up on the quick-cam miter table lock (1).
2. While holding the positive stop locking lever (2) up, grasp the miter handle and move the miter table left or right to the desired angle.
3. Release the positive stop locking lever (2).
4. Press down on the quick-cam miter table lock (1) until it locks the miter table in place.

NOTE: The quick-cam miter table lock should lock the table and prevent it from moving. If adjustment is needed, see next step.

Adjustment (Fig. V)

1. Press down and lock the miter quick-cam table lock (1) .
2. Using a 13 mm wrench, turn the stop nut (4) to the left as shown to extend the locking arm against the base of the miter saw.
3. Test the quick cam miter lock (1) to verify it locks the table into position securely.
4. Turn the lock nut (3) to the right as shown to lock the miter locking mechanism into place.

Fig. V



SETTING CUTTING DEPTH (FIG. W)

The depth of cut can be preset for even and repetitive shallow cuts.

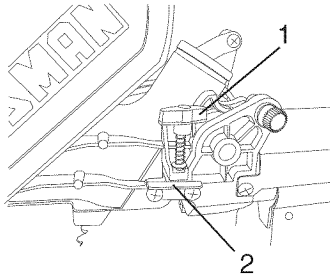
1. Adjust the cutting head down (See CUTTING HEAD section) until the teeth of the blade are at the desired depth.
2. While holding the upper arm in that position, turn the stop knob (1) until it touches the stop plate (2).
3. Recheck the blade depth by moving the cutting head front to back through the full motion of a typical cut along the control arm.

Adjusting Cutting Depth (Fig. W)

The maximum depth travel of the cutting head was set at the factory. Check to see that the blade does not extend more than 1/4 in. below the table insert, and does not touch the control arm throat or any part of the base or table. If the maximum depth needs readjusting:

1. Loosen the stop knob (1) while moving the cutting head down until the blade extends just 1/4 in. below the table insert.
2. Adjust the stop knob (1) to touch the stop plate (2).
3. Recheck the blade depth by moving the cutting head front to back through the full motion of a cut along the control arm. If the blade touches the inside of the control arm, readjust the setting.

Fig. W



THE LASER BEAM (FIG. X, Y)

▲ WARNING

For your own safety, never connect the plug to power source outlet until all the adjustment steps are complete and you have read and understood the safety and operational instructions.

The laser beam must always be correctly aligned with the blade to ensure straight, even cutting. Your tool is equipped with

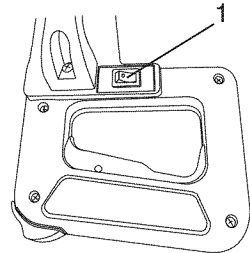
the Laser Trac® cutting guide using Class IIIa laser beam. The laser beam will enable you to preview the saw blade path on the stock to be cut before starting the miter saw. This laser guide is powered by the transformed alternating current supply directly through the power lead.

The saw must be connected to the power source and the laser on/off switch must be turned on for the laser line to show.

Turning Laser Guide On (Fig. X)

1. To turn laser on, press on/off rocker switch (1) to “ON” position.
2. To turn laser off, press on/off rocker switch to “OFF” position.

Fig. X



▲ WARNING

AVOID DIRECT EYE CONTACT

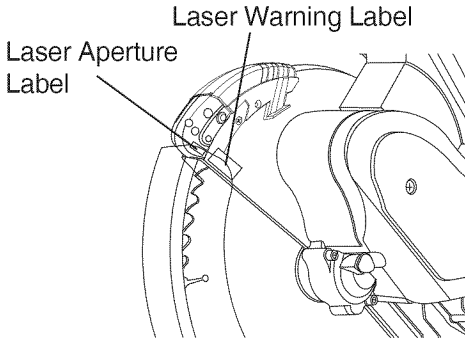
- Laser radiated when laser guide is turned on. Avoid direct eye contact. Always un-plug the miter saw from power source before making any adjustments.
- Laser Warning Label: Max. Output < 5 mW Wavelength: 630-660 nm, Complies with 21CFR 1040.10 and 1040. 11. Class IIIa Laser Product. (Fig. Y)



- **Laser Aperture Label: AVOID EXPOSURE:** Laser radiation is emitted from this aperture. (Fig. Y)

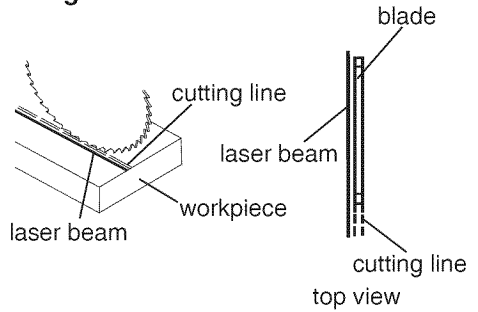


Fig. Y



- **NOTE:** All the adjustments for the operation of this machine have been completed at the factory. The laser guide is calibrated and set up to project to the left of the blade. (Fig. Z)
- **CAUTION-**Use of controls or adjustments or performance of procedures other than those specified herein may result in hazardous radiation exposure.
- **CAUTION-**The use of optical instruments with this product will increase eye hazard.
- Do not attempt to repair or disassemble the laser. If unqualified persons attempt to repair this laser product, serious injury may result. Any repair required on this laser product should be performed by authorized service center personnel.

Fig. Z



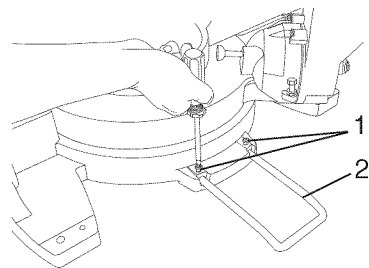
SLIDING THE REAR EXTENSION SUPPORT BAR (FIG. AA)

⚠ WARNING

To avoid possible personal injury or damage to the miter saw due to tipping, do not operate the saw without the Rear Extension Support Bar.

Loosen the two screws (1) and extend the rear extension support bar (2) by sliding it out to match position, tighten the two screws.

Fig. AA



OPERATION

SAFETY INSTRUCTIONS FOR BASIC SAW OPERATION

BEFORE USING THE MITER SAW

WARNING

To avoid mistakes that could cause serious, permanent injury, do not plug the tool in until the following steps are completed:

- Completely assemble and adjust the saw, following the instructions. **(ASSEMBLY AND ADJUSTMENTS)**
- Learn the use and function of the ON/OFF trigger switch, on/off switch for laser, upper and lower blade guards, stop latch, bevel lock handle, and cover plate screw.
- Review and understand all safety instructions and operating procedures in this Operator's Manual. **(SAFETY & OPERATIONS)**
- Review the **MAINTENANCE** and **TROUBLESHOOTING GUIDE** for your miter saw.
- To avoid injury or possible death from electrical shock: Make sure your fingers do not touch the plug's metal prongs when plugging or unplugging your miter saw. **(ELECTRICAL REQUIREMENTS AND SAFETY)**

BEFORE EACH USE INSPECT YOUR SAW.

- **Disconnect the miter saw.**
To avoid injury from accidental starting, unplug the saw before any adjustments, including set-up and blade changes.

- **Compare the direction of rotation arrow** on the guard to the direction arrow on the blade. The blade teeth should always point downward at the front of the saw.
- **Tighten the arbor bolt.**
- **Tighten the cover plate screw.**
- **Check for damaged parts.**

Check for:

- Alignment of moving parts
- Damaged electric cords
- Binding of moving parts
- Mounting holes
- Function of arm return spring and lower guard: Push the cutting arm all the way down, then let it rise until it stops. The lower guard should fully close. Follow instructions in **TROUBLESHOOTING GUIDE** for adjustment if necessary.
- Other conditions that may affect the way the miter saw works.
- Keep all guards in place, in working order and proper adjustment. If any part of this miter saw is missing, bent, damaged or broken in any way, or any electrical parts don't work, turn the saw off and unplug it.
- Replace bent, damaged, missing or defective parts before using the saw again.
- Maintain tools with care. Keep the miter saw clean for best and safest performance. Follow instructions for lubricating. Do not put lubricants on the blade while it is spinning.
- Remove adjusting wrench from the tool before turning it on.
- To avoid injury from jams, slips, or thrown pieces, use only recommended accessories.

RECOMMENDED ACCESSORIES

- Consult the ACCESSORIES and ATTACHMENTS section of this Operator's Manual for recommended accessories. Follow the instructions that come with the accessory. The use of improper accessories may cause risk of injury to persons.
- Choose the correct 12 in. diameter blade for the material and the type of cutting you plan to do.
- Make sure the blade is sharp, undamaged and properly aligned. With the saw unplugged, push the cutting arm all the way down. Manually spin the blade and check for clearance. Tilt the power-head to a 45° bevel and repeat the test.
- Make sure the blade and arbor collars are clean.
- Make sure all clamps and locks are tight and there is no excessive play in any parts.

KEEP YOUR WORK AREA CLEAN

Cluttered areas and benches invite accidents.

WARNING

To avoid burns or other fire damage, never use the miter saw near flammable liquids, vapors, or gases.

- Plan ahead to protect your eyes, hands, face and ears.
- Know your miter saw. Read and understand the Operator's Manual and labels affixed to the tool. Learn its application and limitations as well as the specific potential hazards peculiar to this tool. To avoid injury

from accidental contact with moving parts, do not do layout, assembly, or setup work on the miter saw while any parts are moving.

- Avoid accidental starting, make sure the trigger switch is disengaged before plugging the miter saw into a power outlet.

PLAN YOUR WORK

- Use the right tool. Don't force a tool or attachment to do a job it was not designed to do. Use a different tool for any workpiece that can't be held in a solidly braced, fixed position.

CAUTION: This machine is not designed for cutting masonry, masonry products, ferrous metals (steel, iron, and iron-based metals.) Use this miter saw to cut only wood, wood-like products, or non-ferrous metals. Other material may shatter, bind the blade, or create other dangers. Remove all nails that may be in the workpiece to prevent sparking that could cause a fire. Remove dust bag when cutting non-ferrous metals.

DRESS FOR SAFETY



Any power tool can throw foreign objects into the eyes.

This can result in permanent eye damage. Everyday eyeglasses have only impact resistant lenses and are not safety glasses. Glasses or goggles not in compliance with ANSI Z87.1 could seriously injure you when they break.

- Do not wear loose clothing, gloves, neckties or jewelry (rings, watches). They can get caught and draw you into moving parts.
- Wear non-slip footwear.
- Tie back long hair.
- Roll long sleeves above the elbow.
- Noise levels vary widely. To avoid possible hearing damage, wear ear plugs when using any miter saw.
- For dusty operations, wear a dust mask along with safety goggles.
- Keep the cut off piece free to move sideways after it is cut off. Otherwise, it could get wedged against the blade and thrown violently.
- Only the workpiece should be on the saws table.
- Secure work. Use clamps or a vise to help hold the work when it's practical.

INSPECT YOUR WORKPIECE

- Make sure there are no nails or foreign objects in the part of the workpiece being cut.
- Plan your work to avoid small pieces that may bind, or that are too small to clamp and get a solid grasp on.
- Plan the way you will grasp the workpiece from start to finish. Avoid awkward operations and hand positions. A sudden slip could cause your fingers or hand to move into the blade.

DO NOT OVER-REACH

Keep good footing and balance. Keep your face and body to one side, out of the line of a possible kickback. **NEVER** stand in the line of the blade.

Never cut freehand:

- Brace your workpiece firmly against the fence and table stop so it will not rock or twist during the cut.
- Make sure there is no debris between the workpiece and the table or fence.
- Make sure there are no gaps between the workpiece, fence and table that will let the workpiece shift after it is cut.

USE EXTRA CAUTION WITH LARGE OR ODD SHAPED WORKPIECES

- Use extra supports (tables, sawhorses, blocks, etc.) for workpieces large enough to tip.
- Never use another person as a substitute for a table extension, or as an additional support for a workpiece that is longer or wider than the basic miter saw table, or to help feed, support, or pull the workpiece.
- Do not use this saw to cut small pieces. If the workpiece being cut would cause your hand or fingers to be within 8-3/4 inches of the saw blade the workpiece is too small. Keep hands and fingers out of the “no hands zone” area marked on the saws table.
- When cutting odd shaped workpieces, plan your work so it will not bind in the blade and cause possible injury. Molding, for example, must lie flat or be held by a fixture or jig that will not let it move when cut.
- Properly support round material such as dowel rods, or tubing, which have a tendency to roll when cut, causing the blade to “bite”.

⚠ WARNING

To avoid injury, follow all applicable safety instructions, when cutting non-ferrous metals:

- Use only saw blades specifically recommended for non-ferrous metal cutting.
- Do not cut metal workpieces that must be hand held. Clamp workpieces securely.
- Cut non-ferrous metals only if you are under the supervision of an experienced person and the dust bag has been removed from the saw.

WHEN SAW IS RUNNING

⚠ WARNING

Do not allow familiarity from frequent use of your miter saw to result in a careless mistake. A careless fraction of a second is enough to cause a severe injury. Before cutting, if the saw makes an unfamiliar noise or vibrates, stop immediately. Turn the saw OFF. Unplug the saw. Do not restart until finding and correcting the problem.

BODY AND HAND POSITION (FIG. BB)

⚠ WARNING



Never place hands near the cutting area. Proper positioning of your body and hands when operating the miter saw will make cutting easier and safer. Keep children away. Keep all visitors at a safe distance from the miter saw. Make sure bystanders are clear of the saw and workpiece. Don't force the saw. It will do the job better and safer at its designed rate.

Starting a cut:

- Place hands at least 8-3/4 in. away from the path of the blade – out of the “no-hands zone”. (Fig. BB)
- Hold workpiece firmly against the fence to prevent movement toward the blade.
- With the power switch OFF, bring the saw blade down to the workpiece to see the cutting path of the blade.
- Squeeze trigger switch to start saw.
- Lower blade into workpiece with a firm downward motion.

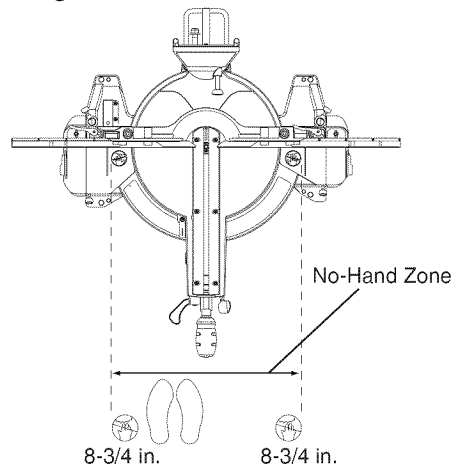
Finishing a cut:

- Hold the cutting arm in the down position.
- Release trigger switch and wait for all moving parts to stop before moving your hands and raising the cutting arm.
- If the blade doesn't stop within 6 seconds, unplug the saw and follow the instructions in TROUBLESHOOTING GUIDE section.

Before freeing jammed material:

- Release trigger switch.
- Wait for all moving parts to stop.
- Unplug the miter saw.

Fig. BB



BASIC SAW OPERATIONS

▲ WARNING

For your convenience, your saw has a blade brake. The brake is not a safety device. Never rely on it to replace the proper use of the guard on your saw. If the blade doesn't stop within approximately 6 seconds, wait for the blade to stop, unplug the saw and contact Sears or another qualified service dealer.

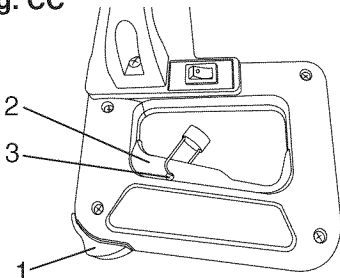
TURNING THE SAW ON (FIG. CC)

Using your right thumb, press in the safety lock-off button (1). While holding the lock-off button in, depress the main On/Off trigger switch (2).

NOTE: To make the ON/OFF switch childproof. Insert a padlock (not provided), or chain with padlock, through the hole (3) in the trigger switch, locking the tool's switch, preventing children and other unqualified users from turning the machine on.

The miter saw is equipped with an automatic blade brake. When the trigger switch is released, the electric blade brake will stop the blade within approximately 6 seconds.

Fig. CC



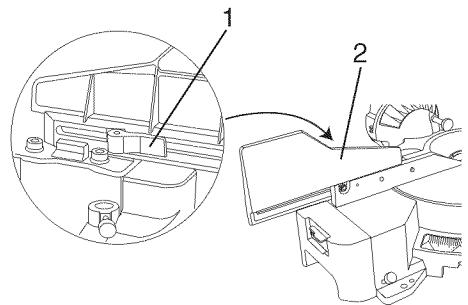
SLIDING FENCE (FIG. DD)

▲ WARNING

The sliding fence must be extended to the left when making bevel cuts. The sliding fences note three bevel angles where the user must adjust the fences to match the degree of the bevel cut. Failure to extend the sliding fence will not allow enough space for the blade to pass through which could result in serious injury. At extreme miter or bevel angles the saw blade may also contact the fence.

1. Unlock the fence cam locking lever (1) by pushing it toward the rear of the machine.
2. Extend the fence (2) by sliding it out to match the degree of the bevel cut. Lock the fence cam locking lever by pushing it IN toward the fence. **NOTE:** When transporting the saw, always secure the sliding fence in the collapsed position (toward the saw blade).

Fig. DD



REMOVING OR INSTALLING THE SLIDING FENCE (FIG. EE)

▲ WARNING

DRY RUN - It is important to know where the blade will intersect with the workpiece during cutting operations. Always perform a simulated cutting sequence with the power tool switched OFF to gain an understanding of the projected path of the saw blade. At some extreme angles, the right or left side fence might have to be removed to ensure proper clearance prior to making the cut.

▲ CAUTION

The right side and left side sliding fence must be removed when making any right or left bevel angle cuts greater than 33.9° in combination with any right or left miter angle. This fence must also be removed whenever a 45° bevel angle is desired with a miter angle greater than 31.6° .

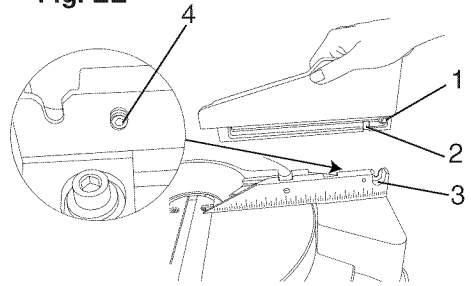
Removing

1. Unlock the fence cam locking lever by pushing it out toward the rear of the machine.
2. Lift up on the sliding fence to remove it from the saw.

Installing

1. Place the sliding fence onto the miter saw fence.
2. Align the nut (1) with the slot (3), slot (2) with bolt (4) in the rear of the fence.
3. To lock the sliding fence, push the cam locking lever in toward the front of the machine.

Fig. EE



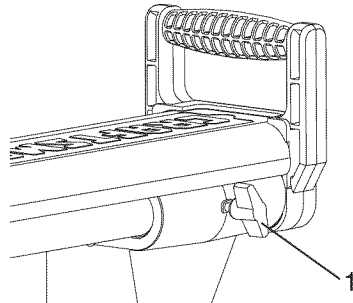
SLIDING CARRIAGE SYSTEM (FIG. FF)

▲ WARNING

To reduce the risk of injury, return carriage to the full rear position after each crosscut operation.

1. For chop cutting operations on small workpieces, slide the cutting head assembly completely toward the rear of the unit and tighten the carriage lock knob (1).
2. To cut wide boards up to 12-1/4 in., the carriage lock knob must be loosened to allow the cutting head to slide freely.

Fig. FF



BEFORE LEAVING THE SAW

- Never leave tool running unattended. Turn power OFF. Wait for all moving parts to stop.
- Make workshop childproof. Lock the shop. Disconnect master switches. Store tool away from children and other unqualified users.

▲ WARNING

To avoid injury from materials being thrown, always unplug the saw to avoid accidental starting, and remove small pieces of material from the table cavity. The table insert may be removed for this purpose, but always reattach the table insert prior to performing a cutting operation.

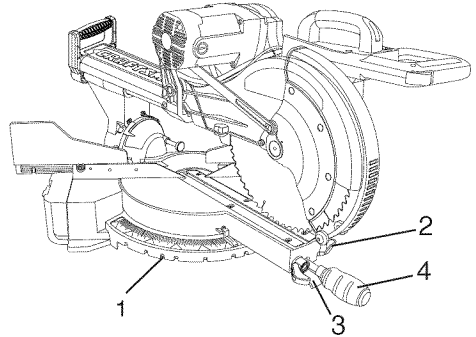
MITER CUT (FIG. GG)

The sliding compound miter saw is equipped with ten positive miter detents (1) on the saw base. The locations are at 0, 15, 22.5, 31.6 and 45 degrees left and right, and 60° right. These locations represent the most common angles for cutting operation. To make a miter cut:

1. Unlock the miter table by lifting up on the miter quick-cam table lock (2).
2. While raising the positive stop locking lever (3) up, grasp the miter handle (4) and rotate the miter table left or right to the desired angle.
3. Release the positive stop locking lever (3) and set the miter at the desired angle making sure the lever snaps into place. **NOTE:** The lever will only lock into place at one of the ten positive stops.
4. Once the desired miter angle is achieved, press down on the quick cam miter table lock to secure the table into position.

5. If the miter angle desired is NOT one of the ten positive stops noted above, simply lock the table at the desired angle by pressing down on the quick-cam miter table lock (2).

Fig. GG



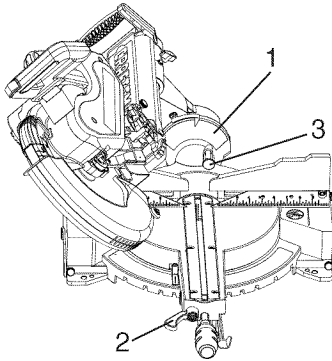
BEVEL CUT (FIG. HH)

▲ WARNING

- The sliding fence must be extended to the left when making bevel cuts. The sliding fences note three bevel angles where the user must adjust the fences to match the degree of the bevel cut. Failure to extend the sliding fence will not allow enough space for the blade to pass through which could result in serious injury. At extreme miter or bevel angles the saw blade may also contact the fence.
- The right side sliding fence must be removed when making any right bevel angle cuts greater than 35° in combination with any right hand miter angle. This fence must also be removed whenever a 45° bevel angle is desired with a miter angle greater than 22.5°.

Tilt the cutting head to the desired angle as shown on the bevel scale (1). The blade can be positioned at any angle, from a 90° straight cut (0° on the scale) to a 45° left and right bevel. Tighten the bevel lock handle (2) by pushing down to lock the cutting head in position. Bevel positive stops are provided at 0°, 33.9° and 45°.

Fig. HH



NOTE: The saw comes with a 33.9° crown molding stop.

33.9° BEVEL STOP FOR CROWN MOLDING (FIG. HH)

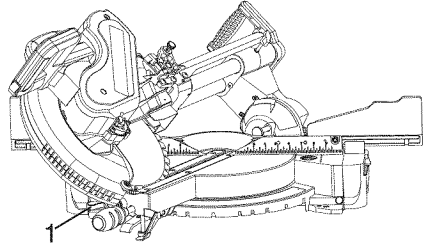
1. Push the bevel detent stop pin (3) in toward the front of the machine.
2. Loosen the bevel lock handle (2).
3. Rotate the cutting head until the bevel detent pin stops the bevel angle at 33.9° on the bevel scale.
4. Tighten the bevel lock handle before making a cut.

COMPOUND CUT (FIG. II)

1. Extending the fence by sliding it out to the required location or remove the right sliding fence if necessary. See “SLIDING FENCE or REMOVING SLIDING FENCE”.

2. Set the desired bevel angle using the bevel lock handle (1).
3. Set the desired miter angle and lock into position. See “MITER CUT”.

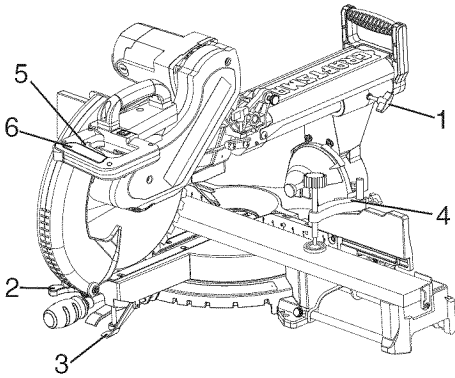
Fig. II



CHOP CUTTING NARROW BOARDS 90° CROSSCUT (FIG. JJ)

1. For a chop cutting operations on small workpieces, slide the cutting head assembly completely toward the rear of the unit and tighten the carriage lock knob (1).
2. Position the cutting head to the 0° bevel position and lock the bevel lock handle (2).
3. Position the table to the 0° miter angle and lock the quick cam miter table lock (3).
4. Position the workpiece on the table and against the fence. Use a hold down clamp (4) attached to the base, whenever possible.
5. Pull the trigger (5), turning on the saw. Lower the blade by pushing the handle (6) down into the workpiece with slow and even pressure.
6. When the cut is complete, release the switch and allow the blade to stop before raising the cutting head assembly.

Fig. JJ



SLIDE CUTTING WIDE BOARDS UP TO 12-1/4 IN. WIDE (FIG. KK)

▲ WARNING

To avoid injury:

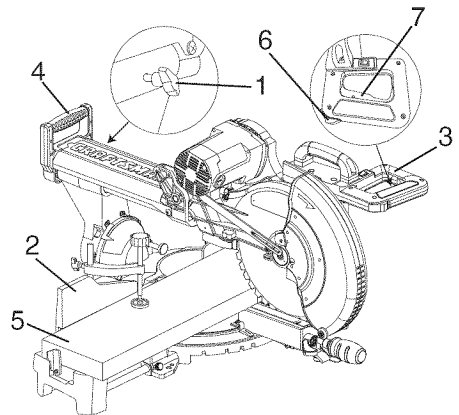
- Never pull the cutting head assembly and spinning blade toward you during the cut. The blade may try to climb up on the top of the workpiece, causing the cutting assembly and spinning blade to kick back, forcefully. The cutting head assembly should be drawn back completely then pushed forward when sawing.
- Let the blade reach full speed before cutting. This will help reduce the risk of a thrown workpiece.
- Extending the fence by sliding it out to the required location or remove the right sliding fence if necessary. See “SLIDING FENCE or REMOVING SLIDING FENCE”.

To Slide Cut Wide Boards (Fig. KK)

1. Unlock the carriage lock knob (1) and allow the cutting head assembly to move freely.

2. Set both the desired bevel angle and/or the miter angle and lock into position.
3. If bevel cutting, set both the left and right sliding fences (2) to their proper location.
4. Use a hold down clamp to secure the workpiece.
5. Grasp the switch handle (3) and pull the carrying handle (4) forward until the center of the saw blade is over the front of the workpiece (5).
6. Using your right thumb, press in the safety lock-off button (6). While holding the lock-off button in, depress the main On/Off trigger switch (7).
7. When the saw reaches full speed, push the saw handle down, slowly, cutting through the leading edge of the workpiece.
8. Slowly move the saw handle toward the fence, completing the cut.
9. Release the trigger and allow the blade to stop spinning before allowing the cutting head to raise.

Fig. KK



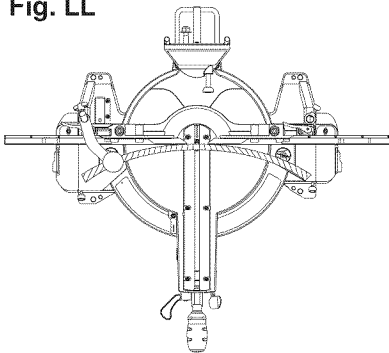
CUTTING BOWED MATERIAL (FIG. LL)

⚠ WARNING

To avoid injury from materials being thrown, always unplug the saw to avoid accidental starting and remove small pieces of material from the table cavity underlying the table insert.

The table insert may be removed for this purpose, but always reattach table insert prior to performing a cutting operation. A bowed workpiece must be positioned against the fence and secured with a clamping device as shown before cutting. Do not position workpiece incorrectly or try to cut the workpiece without the support of the fence. This will cause the blade to bind and could result in personal injury.

Fig. LL

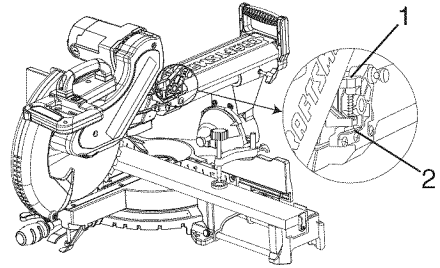


ROUGH CUTTING A DADO (FIG. MM)

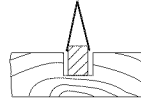
1. Mark lines identifying the width and depth of the desired cut on the workpiece and position it on the table so that the outside edge of the blade will contact the inside edge of the line. Use a clamp to secure the workpiece beside the blade.

2. Lower the cutting head to the depth marked on the workpiece, holding the upper arm, and adjust the stop knob (1) until it touches the stop plate (2). (SEE “SETTING CUTTING DEPTH” on page 25).
3. Cut two parallel grooves as shown.

Fig. MM



Cut these grooves
with saw



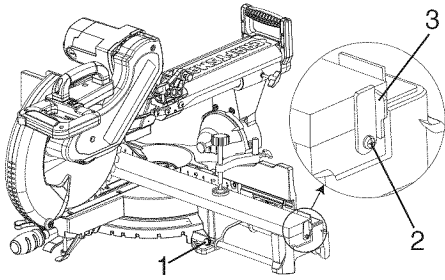
Use a chisel to cut
out the middle

TELESCOPING WORKPIECE SUPPORT & REPETITIVE CUTTING USING THE STOP PLATE (FIG. NN)

Long pieces need extension table support.

1. Loosen the knob (1) then slide the extension table to desired position and tighten the knob.
2. The stop plate is designed for use during repetitive cutting. Only use one stop plate at a time. Rotate the stop plate (3) to vertical position, and retighten the locking bolt. If stop plate will not rotate, loosen the locking bolt (2) 1/4 turn.

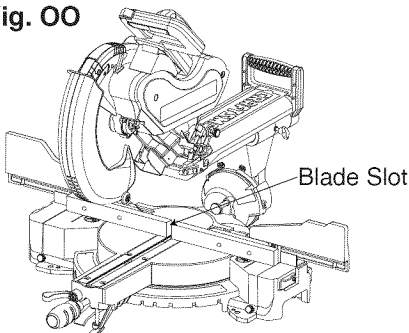
Fig. NN



AUXILIARY WOOD FENCE (FIG. OO)

When making multiple or repetitive cuts that result in cut-off pieces of one inch or less, it is possible for the saw blade to catch the cut-off piece and throw it out of the saw or into the blade guard and housing, possibly causing damage or injury. To minimize this an auxiliary wood fence can be mounted to your saw. Holes are provided in the saw fence to attach an auxiliary wood fence (this provides additional depth of cut). This fence should be constructed of straight auxiliary wood approximately 3/4 in. thick by 1-1/2 in. high by 22 in. long. Attach the wood fence securely and make a full depth cut to make a blade slot. Check for interference between the wood fence and the lower blade guard. Adjust if necessary.

Fig. OO

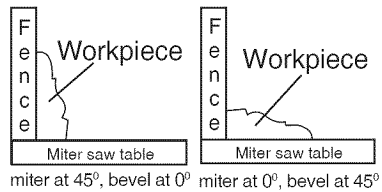


CUTTING BASE MOLDING (FIG. PP)

Base moldings and many other moldings can be cut on a compound miter saw. The setup of the saw depends on molding characteristics and application, as shown. Perform practice cuts on scrap material to achieve best results:

1. Always make sure moldings rest firmly against fence and table. Use hold-down, crown molding vise or C-clamps, whenever possible, and place tape on the area being clamped to avoid marks.
2. Reduce splintering by taping the cut area prior to making the cut. Mark the cut line directly on the tape.
3. Splintering typically happens due to an incorrect blade application and thinness of the material.

Fig. PP



miter at 45°, bevel at 0° miter at 0°, bevel at 45°

CUTTING CROWN MOLDING

(FIG. QQ, RR)

Your compound miter saw is suited for the difficult task of cutting crown molding. To fit properly, crown molding must be compound-mitered with extreme accuracy. The two surfaces on a piece of crown molding that fit flat against the ceiling and wall are at angles that, **when added together, equal exactly 90°.**

Most crown molding has a top rear angle (the section that fits flat against the ceiling) of 52° and a bottom rear angle (the section that fits flat against the wall) of 38°.

In order to accurately cut crown molding for a 90° inside or outside corner, lay the molding with its broad back surface flat on the saw table.

When setting the bevel and miter angles for compound miters, remember that the settings are interdependent; changing one changes the other, as well.

Bevel/Miter Settings

Fig. QQ

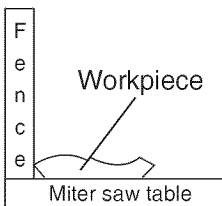
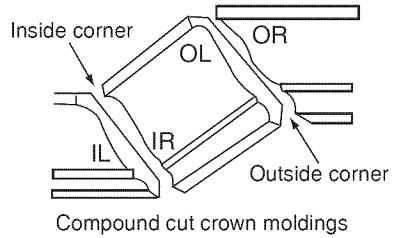


Fig. RR

Settings for standard crown molding lying flat on compound miter saw table



NOTE: The chart below references a compound cut for crown molding ONLY WHEN THE ANGLE BETWEEN THE WALLS EQUALS 90°.

Bevel/Miter Settings

KEY	BEVEL SETTING	MITER SETTING	TYPE OF CUT
Inside corner-Left side			
IL	33.9°	31.6° Right	<ol style="list-style-type: none"> 1. Position top of molding against fence. 2. Miter table set at RIGHT 31.6°. 3. LEFT side is finished piece.
Inside corner-Right side			
IR	33.9°	31.6° Left	<ol style="list-style-type: none"> 1. Position bottom of molding against fence. 2. Miter table set at LEFT 31.6°. 3. LEFT side is finished piece.
Outside corner-Left side			
OL	33.9°	31.6° Left	<ol style="list-style-type: none"> 1. Position bottom of molding against fence. 2. Miter table set at LEFT 31.6°. 3. RIGHT side is finished piece.
Outside corner-Right side			
OR	33.9°	31.6° Right	<ol style="list-style-type: none"> 1. Position top of molding against fence. 2. Miter table set at RIGHT 31.6°. 3. RIGHT side is finished piece.

CROWN MOLDING CHART

Compound Miter Saw Miter and Bevel Angle Settings Wall to Crown Molding Angle

Angle Between Walls	52/38° Crown Molding		45/45° Crown Molding	
	Miter Setting	Bevel Setting	Miter Setting	Bevel Setting
67	42.93	41.08	46.89	36.13
68	42.39	40.79	46.35	35.89
69	41.85	40.50	45.81	35.64
70	41.32	40.20	45.28	35.40
71	40.79	39.90	44.75	35.15
72	40.28	39.61	44.22	34.89
73	39.76	39.30	43.70	34.64
74	39.25	39.00	43.18	35.38
75	38.74	38.69	42.66	34.12
76	38.24	38.39	42.15	33.86
77	37.74	38.08	41.64	33.60
78	37.24	37.76	41.13	33.33
79	36.75	37.45	40.62	33.07
80	36.27	37.13	40.12	32.80
81	35.79	36.81	39.62	32.53
82	35.31	36.49	39.13	32.25
83	34.83	36.17	38.63	31.98
84	34.36	35.85	38.14	31.70
85	33.90	35.52	37.66	31.42
86	33.43	35.19	37.17	31.34
87	32.97	34.86	36.69	30.86
88	32.52	34.53	36.21	30.57
89	32.07	34.20	35.74	30.29
90	31.62	33.86	35.26	30.00
91	31.17	33.53	34.79	29.71
92	30.73	33.19	34.33	29.42
93	30.30	32.86	33.86	29.13
94	29.86	32.51	33.40	28.83
95	29.43	32.17	32.94	28.54
96	29.00	31.82	32.48	28.24
97	28.58	31.48	32.02	27.94
98	28.16	31.13	31.58	27.64
99	27.74	30.78	31.13	27.34
100	27.32	30.43	30.68	27.03
101	26.91	30.08	30.24	26.73
102	26.50	29.73	29.80	26.42
103	26.09	29.38	29.36	26.12
104	25.69	29.02	28.92	25.81
105	25.29	28.67	28.48	25.50
106	24.89	28.31	28.05	25.19
107	24.49	27.96	27.62	24.87
108	24.10	27.59	27.19	24.56
109	23.71	27.23	26.77	24.24
110	23.32	26.87	26.34	23.93
111	22.93	26.51	25.92	23.61
112	22.55	26.15	25.50	23.29
113	22.17	25.78	25.08	22.97
114	21.79	25.42	24.66	22.66
115	21.42	25.05	24.25	22.33
116	21.04	24.68	23.84	22.01
117	20.67	24.31	23.43	21.68
118	20.30	23.94	23.02	21.36
119	19.93	23.57	22.61	21.03
120	19.57	23.20	22.21	20.70
121	19.20	22.83	21.80	20.38
122	18.84	22.46	21.40	20.05
123	18.48	22.09	21.00	19.72

Angle Between Walls	52/38° Crown Molding		45/45° Crown Molding	
	Miter Setting	Bevel Setting	Miter Setting	Bevel Setting
124	18.13	21.71	20.61	19.39
125	17.77	21.34	20.21	19.06
126	17.42	20.96	19.81	18.72
127	17.06	20.59	19.42	18.39
128	16.71	20.21	19.03	18.06
129	16.37	19.83	18.64	17.72
130	16.02	19.45	18.25	17.39
131	15.67	19.07	17.86	17.05
132	15.33	18.69	17.48	16.71
133	14.99	18.31	17.09	16.38
134	14.66	17.93	16.71	16.04
135	14.30	17.55	16.32	15.70
136	13.97	17.17	15.94	15.36
137	13.63	16.79	15.56	15.02
138	13.30	16.40	15.19	14.62
139	12.96	16.02	14.81	14.34
140	12.63	15.64	14.43	14.00
141	12.30	15.25	14.06	13.65
142	11.97	14.87	13.68	13.31
143	11.64	14.48	13.31	12.97
144	11.31	14.09	12.94	12.62
145	10.99	13.71	12.57	12.29
146	10.66	13.32	12.20	11.93
147	10.34	12.93	11.83	11.59
148	10.01	12.54	11.46	11.24
149	9.69	12.16	11.09	10.89
150	9.37	11.77	10.73	10.55
151	9.05	11.38	10.36	10.20
152	8.73	10.99	10.00	9.85
153	8.41	10.60	9.63	9.50
154	8.09	10.21	9.27	9.15
155	7.77	9.82	8.91	8.80
156	7.46	9.43	8.55	8.45
157	7.14	9.04	8.19	8.10
158	6.82	8.65	7.83	7.75
159	6.51	8.26	7.47	7.40
160	6.20	7.86	7.11	7.05
161	5.88	7.47	6.75	6.70
162	5.57	7.08	6.39	6.35
163	5.26	6.69	6.03	6.00
164	4.95	6.30	5.68	5.65
165	4.63	5.90	5.32	5.30
166	4.32	5.51	4.96	4.94
167	4.01	5.12	4.61	4.59
168	3.70	4.72	4.25	4.24
169	3.39	4.33	3.90	3.89
170	3.08	3.94	3.54	3.53
171	2.77	3.54	3.19	3.10
172	2.47	3.15	2.83	2.83
173	2.15	2.75	2.48	2.47
174	1.85	2.36	2.12	2.12
175	1.54	1.97	1.77	1.77
176	1.23	1.58	1.41	1.41
177	0.92	1.18	1.06	1.06
178	0.62	0.79	0.71	0.71
179	0.31	0.39	0.35	0.35

MAINTENANCE

MAINTENANCE

▲ WARNING

Never put lubricants on the blade while it is spinning.

▲ WARNING

- To avoid fire or toxic reaction, never use gasoline, naphtha acetone, lacquer thinner or similar highly volatile solvents to clean the miter saw.
- To avoid injury from unexpected starting or electrical shock, unplug the power cord before working on the saw.
- For your safety, this saw is double insulated. To avoid electrical shock, fire or injury, use only parts identical to those identified in the parts list. Reassemble exactly as the original assembly to avoid electrical shock.

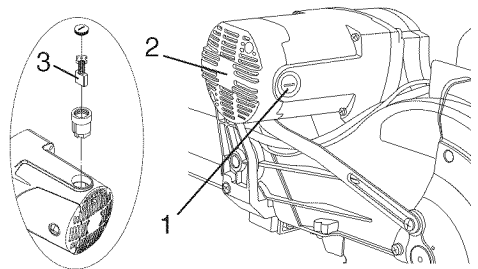
REPLACING CARBON BRUSHES (FIG. SS)

The two carbon brushes (3) furnished will last approximately 50 hours of running time, or 10,000 On/Off cycles. Replace both carbon brushes when either has less than 1/4 in. length of carbon remaining, or if the spring or wire is damaged or burned. To inspect or replace brushes, first unplug the saw. Remove the black plastic cap (1) on the side of the motor (2). Carefully remove the spring-loaded cap. Then pull out the carbon brush (3) and replace. To reassemble, reverse the procedure. The ears on the metal end

of the assembly go in the same hole the carbon part fits into. Tighten the cap snugly, but do not overtighten. Repeat for the carbon brush located on the other side of motor.

NOTE: When reinstalling the same brushes, put them back in the way they came out. This will avoid a break-in period that reduces motor performance and increases wear.

Fig. SS



CHANGING THE BELT (FIG. TT, UU)

- **Unplug your saw.**
- 1. Loosen the two bolts (1) with a 5 mm hex key and remove the belt cover (2).
- 2. Loosen the set screw (3) with a 4 mm hex key and four hex screws (4) with a 5 mm hex key counterclockwise to move the motor forward.
- 3. Remove and replace the belt.
- 4. Lift the motor housing up and retighten the set screw (3).
- 5. Retighten the hex screws (4) clockwise. Do not overtighten.
- 6. Replace the belt cover and tighten the bolts.

Fig. TT

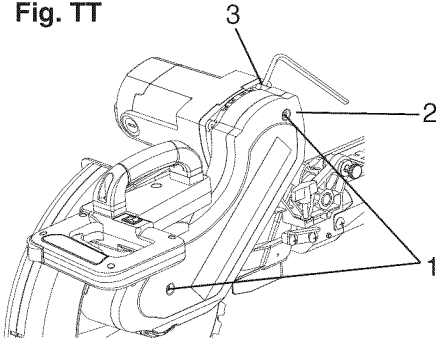
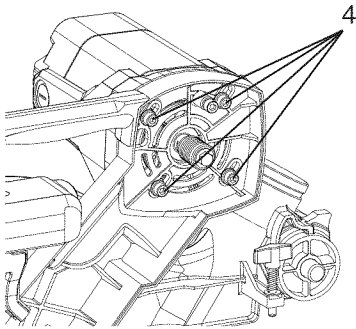


Fig. UU



LOWER BLADE GUARD

Do not use the saw without the lower blade guard. The lower blade guard is attached to the saw for your protection. Should the lower guard become damaged, do not use the saw until the damaged guard has been replaced. Check regularly to make sure the lower guard is working properly. Clean the lower guard of any dust or buildup with a damp cloth.

▲ WARNING

- Do not use solvents on the guard. They could make the plastic “cloudy” and brittle.
- When cleaning the lower guard, unplug the saw from the power source receptacle to avoid unexpected start-up.

SAWDUST

Periodically, sawdust will accumulate under the worktable and base. This could cause difficulty in the movement of the worktable when setting up a miter cut. Frequently blow out or vacuum up the sawdust.

▲ WARNING

If blowing sawdust, wear proper eye protection to keep debris from blowing into eyes.

LUBRICATION (FIG. VV)

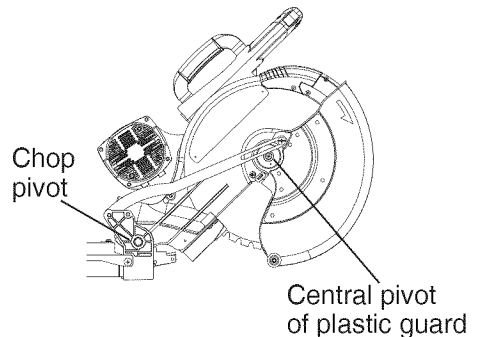
All the motor bearings in this tool are lubricated with a sufficient amount of high-grade lubricant for the life of the unit under normal operating conditions; therefore, no further lubrication is required.

Lubricate the following as necessary:

Chop pivot: Apply light machine oil to points indicated in illustration.

Central pivot of plastic guard: Use light household oil (sewing machine oil) on metal-to-metal or metal-to-plastic guard contact areas as required for smooth, quiet operation. Avoid excessive oil, to which sawdust will cling.

Fig. VV



TROUBLESHOOTING GUIDE

WARNING

To avoid injury from accidental starting, always turn switch OFF and unplug the tool before moving, replacing the blade or making adjustments.

TROUBLESHOOTING GUIDE - MOTOR

PROBLEM	PROBLEM CAUSE	SUGGESTED CORRECTIVE ACTION
Brake does not stop blade within 6 seconds.	<ol style="list-style-type: none">1. Motor brushes not sealed or lightly sticking.2. Motor brake overheated from use of defective or wrong size blade or rapid ON/OFF cycling.3. Arbor bolt loose.4. Brushes cracked, damaged, etc.5. Other.	<ol style="list-style-type: none">1. Inspect/clean/replace brushes. See MAINTENANCE section.2. Use a recommended blade. Let cool down. See REMOVING OR INSTALLING THE BLADE section.3. Retighten. See REMOVING OR INSTALLING THE BLADE section.4. Replace brushes.5. Contact Sears Service Center.
Motor does not start	<ol style="list-style-type: none">1. Limit switch failure2. Brush worn.3. Fuse blown or circuit breaker tripped on home panel.	<ol style="list-style-type: none">1. Replace limit switch.2. Replace brushes. See MAINTENANCE section.3. Verify there is electrical power at the outlet.
Brush sparked when switch released.	<ol style="list-style-type: none">1. Brush worn.2. Other.	<ol style="list-style-type: none">1. Replace Brushes. See MAINTENANCE section.2. Contact Sears Service Center.

TROUBLESHOOTING GUIDE - SAW OPERATION

PROBLEM	PROBLEM CAUSE	SUGGESTED CORRECTIVE ACTION
Blade hits table.	1. Misalignment.	1. See ADJUSTMENT - Setting Cutting Depth section.
Angle of cut not accurate. Can not adjust miter.	1. Miter table unlocked. 2. Sawdust under table.	1. See OPERATION - Miter Angle Adjustment section. 2. Vacuum or blow out dust. WEAR EYE PROTECTION.
Cutting arm wobbles.	1. Loose pivot points.	1. Contact Sears Service Center.
Cutting arm will not fully raise, or blade guard won't fully close.	1. Pivot spring not replaced properly after service. 2. Sawdust build-up.	1. Contact Sears Service Center. 2. Clean and lubricate moving parts.
Blade binds, jams, burns wood.	1. Improper operation. 2. Dull or warped blade. 3. Improper blade size. 4. Wood is moving during cut.	1. See BASIC SAW OPERATION section. 2. Replace or sharpen blade. 3. Replace with 12 in. diameter blade. 4. Use hold down clamp to secure workpiece to table.
Saw vibrates or shakes.	1. Saw blade not round / damaged / loose. 2. Arbor bolt loose.	1. Replace blade. 2. Tighten arbor bolt.

PARTS LIST

12 IN. SLIDING COMPOUND MITER SAW

MODEL NO. 137.186290

WARNING

When servicing use only CRAFTSMAN replacement parts. Use of any other parts may create a HAZARD or cause product damage. Any attempt to repair or replace electrical parts on this Miter Saw may create a HAZARD unless repair is done by a qualified service technician. Repair service is available at your nearest Sears Service Center.

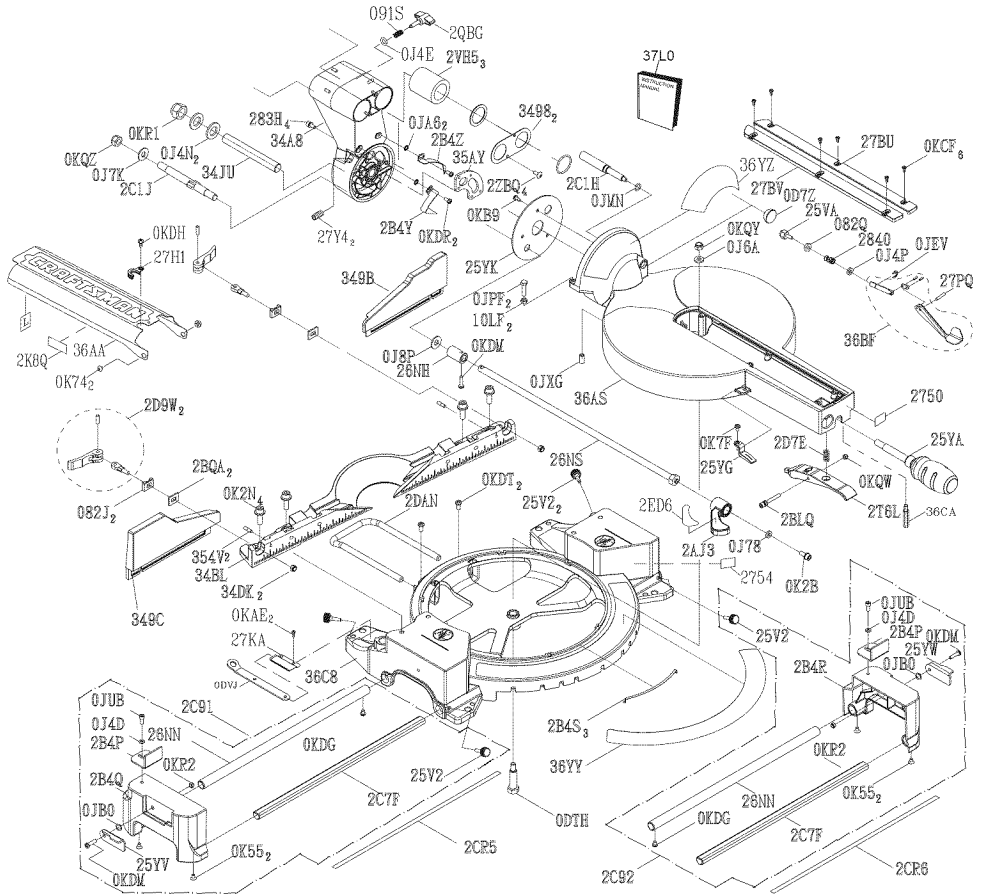
PARTS LIST FOR SAW SCHEMATIC A

I.D.	Description	Size	Q'ty	I.D.	Description	Size	Q'ty
0831	SHAFT SLEEVE		1	267Y	PULLEY		1
1545	HEX. SOC. HD. CAP SCREW	M5*0.8-20	4	267Z	GEAR SHAFT		1
07X8	DUST PORT ELBOW		1	26H6	V-RIBBED TIMING BELT (POLYURETHANE)		1
0833	TRIGGER		1	26LU	WARNING LABEL		1
083Y	COMPRESSION SPRING		1	26P7	SHAFT-PIVOT		1
083Z	CORD CLAMP		1	26UK	GEAR SHAFT ASSEMBLY		1
0CES	COMPRESSION SPRING		1	26UL	CUTTER SHAFT ASSEMBLY		1
0CEZ	PLUNGER HANDLE		1	275W	PARALLEL KEY		1
0CHG	BUMPER		1	27BC	SAFETY CLAMP ASSEMBLY		1
0DT4	ROLLING WHEEL		2	27D7	COLLAR		1
0DT7	BEARING		2	27D8	FOLLOWER PLATE		1
0DTZ	ARBOR COLLAR		2	27HE	TORSION SPRING		1
0FHW	COLLAR		1	27J9	SET NUT		1
0HVD	BALL BEARING		2	27JA	SCREW STOP		1
0HVL	BALL BEARING		1	27KY	CLAMP BOLT		1
0HVN	BALL BEARING		1	27PF	COMPRESSION SPRING		1
0J4E	FLAT WASHER	φ6*13-1	4	27WC	COMPRESSION SPRING		1
0J4F	FLAT WASHER	φ8*16-2.5	1	290M	CAUTION LABEL		1
0J4U	FLAT WASHER	φ6*18-1.5	2	29WW	SPRING PIN		2
0J80	WAVE WASHER		2	2B62	HEX. HD. BOLT	M6*1.0-16	1
0JB3	WAVE WASHER		2	2BLV	PLATE		1
0JEE	C-RING		1	2BQG	BLANKET WASHER		1
0JFB	SELF-LOCKING RING		2	2D92	CONTROLLER ASSEMBLY		1
0JMP	O-RING		1	2QQD	SEGMENT HADELE		1
0JUA	HEX. SOC. HD. CAP BOLT	M5*0.8-8	2	2K96	WARNING LABEL		1
0JUM	HEX. SOC. HD. CAP BOLT	M6*1.0-25	1	2M05	LIMIT SWITCH		1
0JZF	HEX. SOC. SET SCREW	M6*1.0-10	2	2MAR	STICKER		1
0K2B	HEX. SOC. HD. CAP SCREW	M6*1.0-16	4	2QK4	BLADE		1
0K51	CR. RE. COUNT HD. SCREW	M4*0.7-8	4	2QYA	PULLEY COVER		1
0K52	CR. RE. COUNT HD. SCREW	M4*0.7-12	2	2VGE	MOTOR HANDLE		1
0K5D	CR. RE. COUNT HD. SCREW	M6*1.0-20	1	2VGF	MOTOR HANDLE		1
0K7X	CR. RE. TRUSS HD. ROUND NECK SCREW	M6*1.0-10	2	2W4E	COLLAR		1
0K7Z	CR. RE. TRUSS HD. ROUND NECK SCREW	M6*1.0-14	2	2WFZ	BUTTON SWITCH		1
0KA8	CR. RE. PAN HD. TAPPING SCREW	M5*12-25	2	2WKZ	SPECIAL BOLT		2
0KA9	CR. RE. PAN HD. TAPPING SCREW	M3*24-10	1	2X6M	LABEL		1
0KB7	CR. RE. PAN HD. TAPPING SCREW	M4*18-16	2	3544	LEAD WIRE ASSEMBLY		1
0KB8	CR. RE. PAN HD. TAPPING SCREW	M4*18-20	4	3841	LOCK KNOB		1
0KD4	CR. RE. PAN HD. SCREW	M6*1.0-10	2	33C9	SUPPORT SEAT		1
0KDU	CR. RE. PAN HD. SCREW	M6*1.0-12	1	33KF	MOTOR ASSEMBLY		1
0KE8	CR. RE. PAN HD. SCREW	M6*1.0-60	1	33KJ	LEAD WIRE ASSEMBLY		1
0KHC	CR. RE. PAN HD. SCREW		1	33KM	POWER CABLE		1
0KL1	CR. RE. PAN HD. ROUND NECK SCREW	M6*1.0-12	1	33NZ	SWIVEL SUPPORT ASSEMBLY		1
0KQX	NUT	M6*1.0 T=6	2	34AC	BEARING BUSHING		1
0KTK	STRAIN RELIEF		1	34Y	LEVER		1
0KUW	TERMINAL		2	34CT	CLEVIS PIN		1
0S1S	COLLAR		1	34VX	COLLAR		1
0S2B	CR. RE. PAN HD. TAPPING SCREW	M6*1.0-25	2	360K	ROCK SWITCH ASSEMBLY		1
0WVK	CLAMP BOLT		1	368J	CABLE SHIELD		1
145V	HEX WASHER HD BOLT	M8*1.25-16	1	36A6	DUST SHIELD		1
2680	LOCATOR PIN		1	36A8	CUTTER SHAFT GUARD		1
2681	HELIX GEAR		1	36AU	ARM		1
2752	TRADEMARK LABEL		1	36CC	PLUG-BUTTON		3
22A4	LOCKING CABLE TIE		4	36CD	LASER ASSEMBLY		1
23NX	GUARD-CORD		1	36CE	PC-GUARD ASSEMBLY		1
25YQ	CUTTER SHAFT		1	36YW	CAUTION LABEL		1
25YU	DUST BAG		1	36Z0	LABEL		1
262U	GEAR BOX COVER		1	376Y	CR. RE. PAN HD. SCREW	M6*1.0-100	1
262V	ANCHOR PLATE		1	38AW	SPRING GUARD		1

PARTS LIST FOR SAW SCHEMATIC B

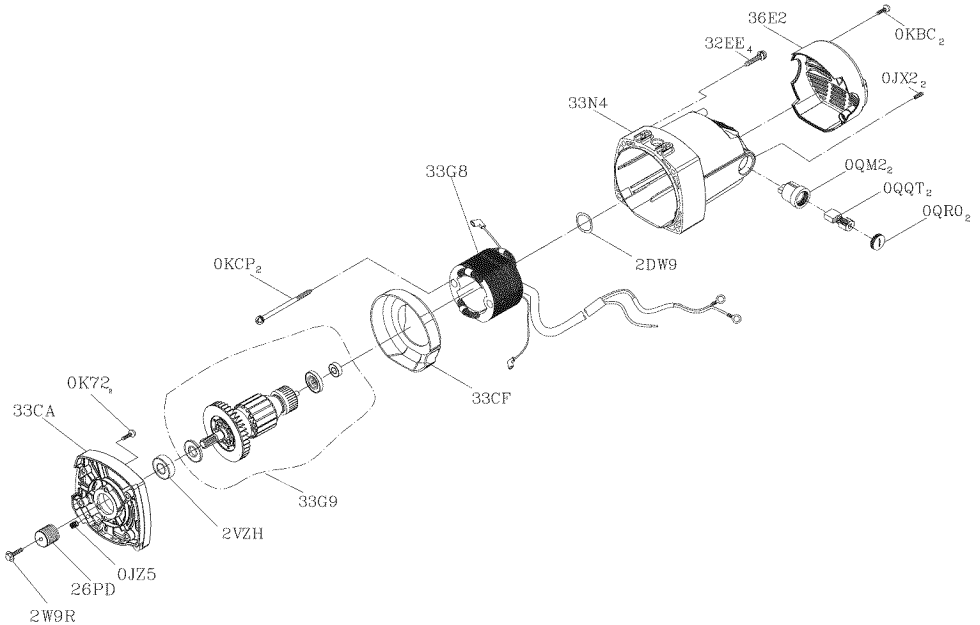
I.D.	Description	Size	Q'ty	I.D.	Description	Size	Q'ty
082J	CUSHION		2	26NN	UPPER TUBE		2
082Q	LOCK NUT		1	26NS	LOCKING ROD		1
091S	COMPRESSION SPRING		1	27BU	TABLE INSERT		1
0D7Z	KNOB-HANDLE		1	27BV	TABLE INSERT		1
0DTH	CENTER BOLT		1	27H1	CLAMP-CORD		1
0DVJ	BLADE WRENCH		1	27KA	ECCENTRIC SPANNER SEAT		1
0J4D	FLAT WASHER	φ5*10-1	2	27PQ	ROLL PIN		1
0J4E	FLAT WASHER	φ6*13-1	1	27Y4	HEX. SOC. SET SCREW	M6*1.0-16	2
0J4N	FLAT WASHER	φ16*30-3	2	283H	HEX. SOC. HD. CAP SCREW	M5*0.8-12	4
0J4P	FLAT WASHER	φ8*16-1.4	1	2AJ3	CLAMP HANDLE		1
0J6A	FLAT WASHER	φ8*16-2.5	1	2B4P	FENCE PLATE		2
0J78	FLAT WASHER	1/4*1/2-3/32	1	2B4Q	EXTENTION WING		1
0J7K	FLAT WASHER	3/8*29/32-5/64	1	2B4R	EXTENTION WING		1
0J8P	FLAT WASHER	3/8*29/32-5/64	1	2B4S	SLIDE PLATE		3
0JA6	WASHER	φ5	2	2B4Y	NEEDLE POINTER		1
0JB0	WAVE WASHER		2	2B4Z	NEEDLE POINTER		1
0JEV	E-RING		1	2BLQ	HEX. SOC. HD. CAP SCREW	M5*0.8-40	1
0JMN	O-RING		1	2BQA	PLATE		2
0JPF	HEX. HD. BOLT	M6*1.0-25	2	2C1H	LOCATING BAR		1
0JUB	HEX. SOC. HD. CAP BOLT	M5*0.8-12	2	2C1J	SPECIAL BOLT		1
0JXG	HEX. SOC. SET SCREW	M8*1.25-16	1	2C7F	UPPER TUBE		2
0K2B	HEX. SOC. HD. CAP SCREW	M6*1.0-16	1	2C91	EXTENTION WING ASSEMBLY		1
0K2N	HEX. SOC. HD. CAP SCREW	M8*1.25-25	4	2C92	EXTENTION WING ASSEMBLY		1
0K55	CR. RE. COUNT HD. SCREW	M5*0.8-8	4	2CR5	BRACKET-TILT		1
0K74	CR. RE. TRUSS HD. SCREW	M6*1.0-8	2	2CR6	BRACKET-TILT		1
0K7F	CR. RE. ROUND WASHER HD. SCREW	M5*0.8-8	1	2D7E	COMPRESSION SPRING		1
0KAE	CR. RE. PAN HD. TAPPING SCREW	M5*0.8-10	2	2D9W	LOCKING HANDLE ASSEMBLY		2
0K89	CR. RE. TRUSS HD. TAPPING SCREW	M3*24-12	1	2DAN	REAR EXTENTION STAY		1
0KCF	CR. RE. TRUSS HD. TAPPING SCREW	M4*18-10	6	2ED6	CAUTION LABEL		1
0KDG	CR. RE. PAN HD. SCREW	M5*0.8-6	2	2K8Q	WARNING LABEL		1
0KDH	CR. RE. PAN HD. SCREW	M5*0.8-8	1	2QBQ	CLAMP BOLT		1
0KDM	CR. RE. PAN HD. SCREW	M5*0.8-20	3	2T6L	PLUNGER HANDLE		1
0KDR	CR. RE. PAN HD. SCREW	M5*0.8-10	2	2VH5	LINEAR MOTION BEARING		3
0KDT	CR. RE. PAN HD. SCREW	M6*1.0-8	2	2ZBQ	CR. RE. TRUSS HD. SCREW	M5*0.8-8	4
0KQW	LOCK NUT	M5*0.8 T=5	1	3498	BEARING COVER		2
0KQY	LOCK NUT	M8*1.25 T=8	1	349B	ASSIST-FENCE(RIGHT)		1
0KQZ	NUT	M10*1.5 T=10	1	349C	ASSIST-FENCE(LEFT)		1
0KR1	LOCK NUT	M16*2.0 T=16	1	34A8	ARM-MITER		1
0KR2	LOCK NUT	M5*0.8 T=5	2	34BL	FENCE		1
10LF	HEX. NUT	M6*1.0 T=4	2	34DK	LOCK NUT	M6*1.0 T=9	2
2750	CAUTION LABEL		1	34JU	SHAFT-PIVOT		1
2754	WARNING LABEL		1	354V	SPECIAL BOLT		2
2840	COMPRESSION SPRING		1	35AY	ANCHOR PLATE		1
25V2	KNOB		4	36AA	SLIDE-BAR BLADE GUARD		1
25VA	SCREW STOP		1	36AS	TABLE		1
25YA	LOCKING HANDLE ASSEMBLY		1	36BF	LOCKING HANDLE ASSEMBLY		1
25YG	NEEDLE POINTER		1	36C8	BASE		1
25YK	SET PLATE		1	36CA	TABLE BRACKET		1
25YV	PLATE		1	36YY	BRACKET-TILT		1
25YW	PLATE (RIGHT)		1	36YZ	BRACKET-TILT		1
26NH	SPECIAL NUT		1	37L0	INSTRUCTION MANUAL		1

SCHEMATIC B



PARTS LIST FOR MOTOR

I.D.	Description	Size	Q'ty
0JX2	HEX. SOC. SET SCREW	M5*0.8-6	2
0JZ5	HEX. SOC. SET SCREW	M6*1.0-12	1
0K72	CR. RE. TRUSS HD. SCREW	M5*0.8-12	2
0KBC	CR. RE. PAN HD. TAPPING SCREW	M5*16-25	2
0KCP	CR. RE. PAN HEAD TAPPING & WASHER SCREW	M5*12-60	2
0QM2	BRUSH HOLDER ASSEMBLY		2
0QQT	BRUSH ASSEMBLY		2
0QR0	BRUSH COVER		2
26PD	MOTOR PULLEY		1
2DW9	WAVE WASHER		1
2VZH	BALL BEARING		1
2W9R	HEX. HD. SCREW AND WASHER	M6*1.0-16	1
32EE	CR. RE. PAN HD. SCREW & WASHER	M5*0.8-50	4
33CA	FRONT HOUSINT		1
33CF	FLOW GUIDE		1
33G8	FIELD ASSEMBLY		1
33G9	ARMATURE ASSEMBLY		1
33N4	MOTOR COVER		1
36E2	MOTOR REAR COVER		1



REPAIR PROTECTION AGREEMENTS

Congratulations on making a smart purchase. Your new Craftsman® product is designed and manufactured for years of dependable operation. But like all products, it may require repair from time to time. That's when having a Repair Protection Agreement can save you money and aggravation.

Here's what the Repair Protection Agreement* includes:

- ☑ **Expert service** by our 10,000 professional repair specialists
- ☑ **Unlimited service and no charge** for parts and labor on all covered repairs
- ☑ **Product replacement** up to \$1500 if your covered product can't be fixed
- ☑ **Discount of 25%** from regular price of service and related installed parts not covered by the agreement; also, 25% off regular price of preventive maintenance check
- ☑ **Fast help by phone** – we call it Rapid Resolution – phone support from a Sears representative. Think of us as a “talking owner's manual.”

Once you purchase the Repair Protection Agreement, a simple phone call is all that it takes for you to schedule service. You can call anytime day or night, or schedule a service appointment online.

The Repair Protection Agreement is a risk-free purchase. If you cancel for any reason during the product warranty period, we will provide a full refund. Or, a prorated refund anytime after the product warranty period expires. Purchase your Repair Protection Agreement today!

Some limitations and exclusions apply. For prices and additional information in the U.S.A. call 1-800-827-6655.

***Coverage in Canada varies on some items. For full details call Sears Canada at 1-800-361-6665.**

Sears Installation Service

For Sears professional installation of home appliances, garage door openers, water heaters, and other major home items, in the U.S.A. or Canada call **1-800-4-MY-HOME®**.

NOTES

Get it fixed, at your home or ours!

Your Home

For troubleshooting, product manuals and expert advice:



www.managemylife.com

For repair – **in your home** – of **all** major brand appliances, lawn and garden equipment, or heating and cooling systems, **no matter who made it, no matter who sold it!**

For the replacement parts, accessories and owner's manuals that you need to do-it-yourself.

For Sears professional installation of home appliances and items like garage door openers and water heaters.

1-800-4-MY-HOME[®] (1-800-469-4663)

Call anytime, day or night (U.S.A. and Canada)

www.sears.com www.sears.ca

Our Home

For repair of carry-in items like vacuums, lawn equipment, and electronics, call anytime for the location of your nearest

Sears Parts & Repair Service Center

1-800-488-1222 (U.S.A.) **1-800-469-4663** (Canada)

www.sears.com www.sears.ca

To purchase a protection agreement on a product serviced by Sears:

1-800-827-6655 (U.S.A.) **1-800-361-6665** (Canada)

Para pedir servicio de reparación a domicilio, y para ordenar piezas:

1-888-SU-HOGAR[®]

(1-888-784-6427)

www.sears.com

Au Canada pour service en français:

1-800-LE-FOYER^{MC}

(1-800-533-6937)

www.sears.ca

The Sears logo, consisting of the word "sears" in a lowercase, serif font with a distinctive dot above the letter 's'.

© Registered Trademark / TM Trademark of KCD IP, LLC in the United States, or Sears Brands, LLC in other countries

© Marca Registrada / TM Marca de Fábrica de KCD IP, LLC en Estados Unidos, o Sears Brands, LLC in otros países

^{MC} Marque de commerce / ^{MD} Marque déposée de Sears Brands, LLC