

Supplement Sheet

Date: August 16, 2010
Subject: Seat Substitution
Model(s): 247.28901 (13AN771S099)

When attaching the seat to the lawn tractor, refer to the instructions below in place of the instructions found in the Assembly section of your Operator's Manual. Refer to the Parts List on the reverse side of this sheet when ordering replacement parts.

Attaching The Seat

NOTE: If your seat was shipped mounted backwards on the seat pivot bracket, pull out the tab found on the seat stop and hold it open while sliding the seat off the seat pivot bracket.

1. Line up the plastic seat spacers with the slots in seat pivot bracket.
2. Slide seat in until front seat spacer engages the seat stop. See Fig. 1.
3. To adjust the position of the seat on models equipped with a seat adjustment lever, move the seat adjustment lever (located under the seat) to the left and slide the seat forward or rearward until it securely engages into a seat stop. See Fig. 2. Make sure seat is locked into position before operating the tractor.

⚠ WARNING

Before operating this machine, make sure the seat is engaged in a seat stop, stand behind the machine and pull back on seat until fully engaged into stop.

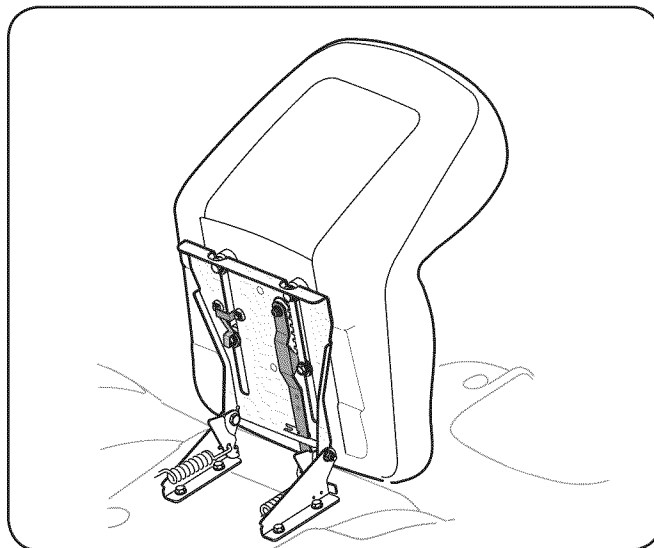


Figure 1

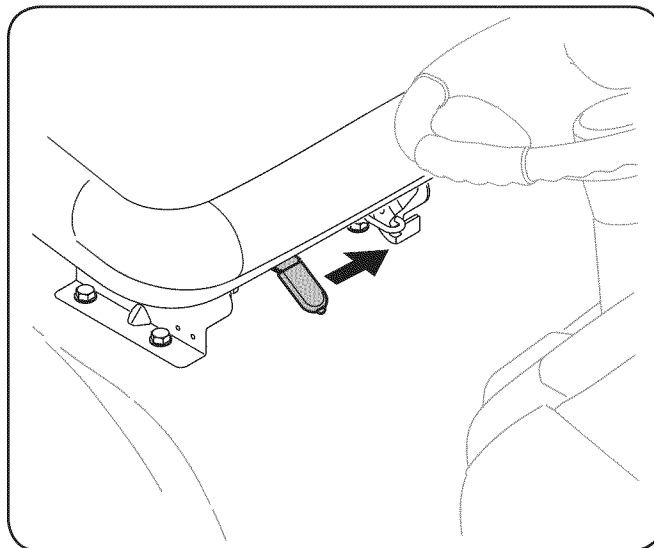
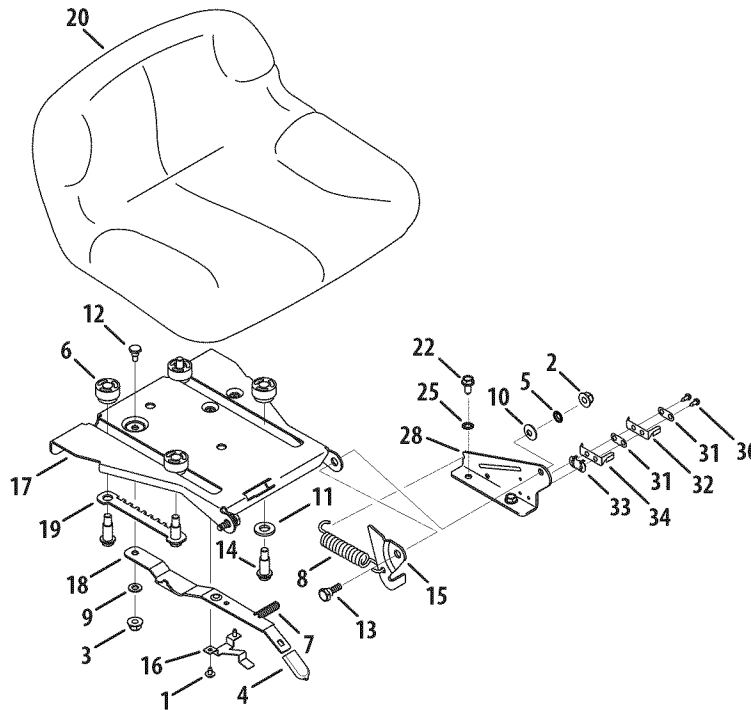


Figure 2

Sears Brands Management Corporation, Hoffman Estates, IL 60179 U.S.A.

PARTS LIST



Ref. No.	Part No.	Description
1	710-1268	Screw, #10-16 x .375
2	712-04063	Flange Lock Nut, 5/16-18
3	712-04064	Flange Lock Nut, 1/4-20
4	720-0309A	Seat Adjustment Grip
5	726-0201	Speed Nut
6	731-04074	Seat Adjustment Spacer
7	732-0499	Compression Spring, .41 x 1.50
8	732-1184	Extension Spring
9	736-0204	Flat Washer, .344 x .62 x .033
10	736-0242	Flat Washer, .340 x .872 x .060
11	736-3019	Flat Washer, .531 x .062 x .134
12	938-0137A	Shoulder Screw, .34 x .285: 1/4-20
13	938-0296	Shoulder Screw, 5/16-18 x .437 x .268
14	738-0966A	Shoulder Bolt, .50 x .925: 3/8-16

Ref. No.	Part No.	Description
15	783-0209D	Lift Seat Bracket
16	783-0611	Seat Adjustment Stop Bracket
17	783-0738D-0637	Seat Pivot Bracket
18	783-0739A-0637	Seat Adjustment Lever
19	783-0753	Seat Adjustment Selector
20	757-04125	Mid-Back Seat
22	710-04484	Screw, 5/16-18 x .750
25	736-0607	Lock Washer, 5/16
28	783-1489C-0637	Seat Mounting Bracket
30	710-0227	Screw, 8-18 x .500
31	726-0279	Insulator Plate
32	925-1303	Outer Seat Spring
33	726-0278	Insulator Boss Plate
34	725-1439	Inner Seat Spring